

INSTALLATION INSTRUCTIONS

Item#712-66A/84-L/714-66A/84-L/716-66A/84-L (New. 2021-03-04)

READ AND SAVE THESE INSTRUCTIONS

WARNING! SHUT POWER OFF AT FUSE OR CIRCUIT BREAKER.

AVERTISSEMENT! COUPER LE COURANT AU NIVEAU DES FUSIBLES OU DU DISJONCTEUR. Page: 1/1

READ AND SAVE THESE INSTRUCTIONS

WARNING! SHUT POWER OFF AT FUSE OR CIRCUIT BREAKER.

AVERTISSEMENT! COUPER LE COURANT AU NIVEAU DES FUSIBLES OU DU DISJONCTEUR.

PREPARATION

1: Shut off power at the fuse box or circuit breaker box and remove the old fixture including the mounting hardware.

2: Carefully unpack your new fixture and lay out all the parts in a clean area. Take care not to misplace any small parts necessary for installation.

INSTALLATION & ASSEMBLY (Fig.1 & Fig.2)

3: Attach the mounting plate (B) to the outlet box (A) using the slotted holes on the mounting plate (B) and the outlet box screws (D) provided.

4: Thread the fixture screws (F) into the mounting plate (B) so that they extend approximately 1/2 in.

5: Pull the power supply wires out from the outlet box. Connect the black supply wire to the black fixture wire using wire nuts (C). Connect the white supply wire to the white fixture wire using wire nuts (C). Connect the fixture ground wire and the supply ground wire together using wire nuts (C). Wrap all wire connections with electrical tape for a more secure connection.

6: Carefully tuck all the wires and wire connections into the outlet box. Place the fixture pan (E) over the outlet box and feed the fixture screws (F) through the keyhole slots. Rotate the fixture pan (E) so that the fixture screws (F) slide into the narrow ends of the keyhole slots. Tighten the fixture screws (F) so that the fixture pan (E) is secured flush against the ceiling.

7: Secure the acrylic shade (G) and the frame (H) to the fixture pan (E) using the thumb nuts (I).

Your installation is now complete. Return power and test the fixture.

Replacing LED module (Fig.3)

The LED module can be replaced by a qualified electrician without cutting the wires and without damaging the decorative element to which the fixture is attached. See installation steps for more details (Fig.3)

- Shut off the power.
- Loosen thumb nuts (I) and remove the frame (H) and acrylic shade (G).
- Remove the cup (L) with the screw driver (K) (not included) by loosening screws (J) and carefully remove the LED module (M) from the ceiling pan (E).
- Reverse steps a-c for installing the new LED module.

Care and maintenance

Use a clean, soft cloth to wipe the surface of the fixture.

DO NOT use any cleaners with chemicals, solvents or harsh abrasives

Dimming: This product is compatible with most common residential type dimmers, dimming performance depends on dimmers.

Recommended Dimmers: Lutron: MACL-153M, DVL-153P, SCL-153P

Leviton: IPL06-10Z. 6674-POW

Fig.1

Set#A-016
-Mounting Plate
-Mounting Screw*2

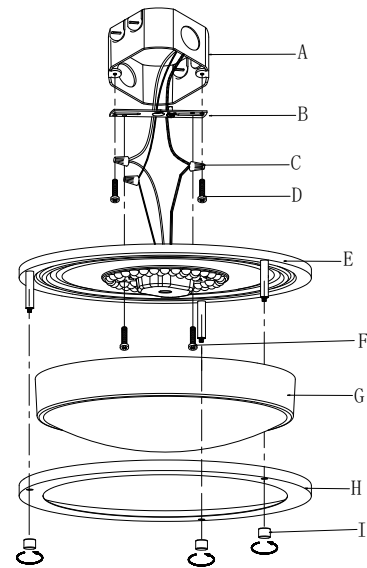


Fig.2

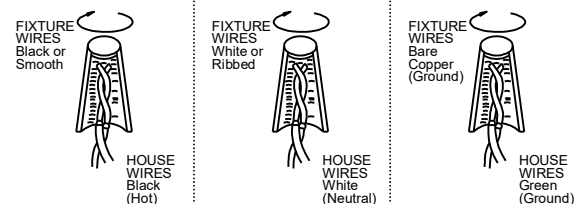
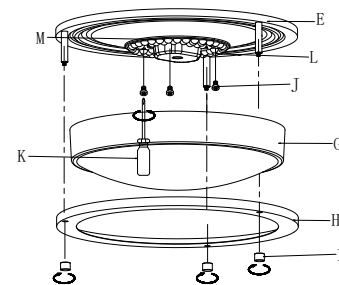


Fig.3



IMPORTANT: FIXTURE SHOULD BE INSTALLED BY A QUALIFIED ELECTRICIAN TO ENSURE PROPER WIRING AND INSTALLATION.

