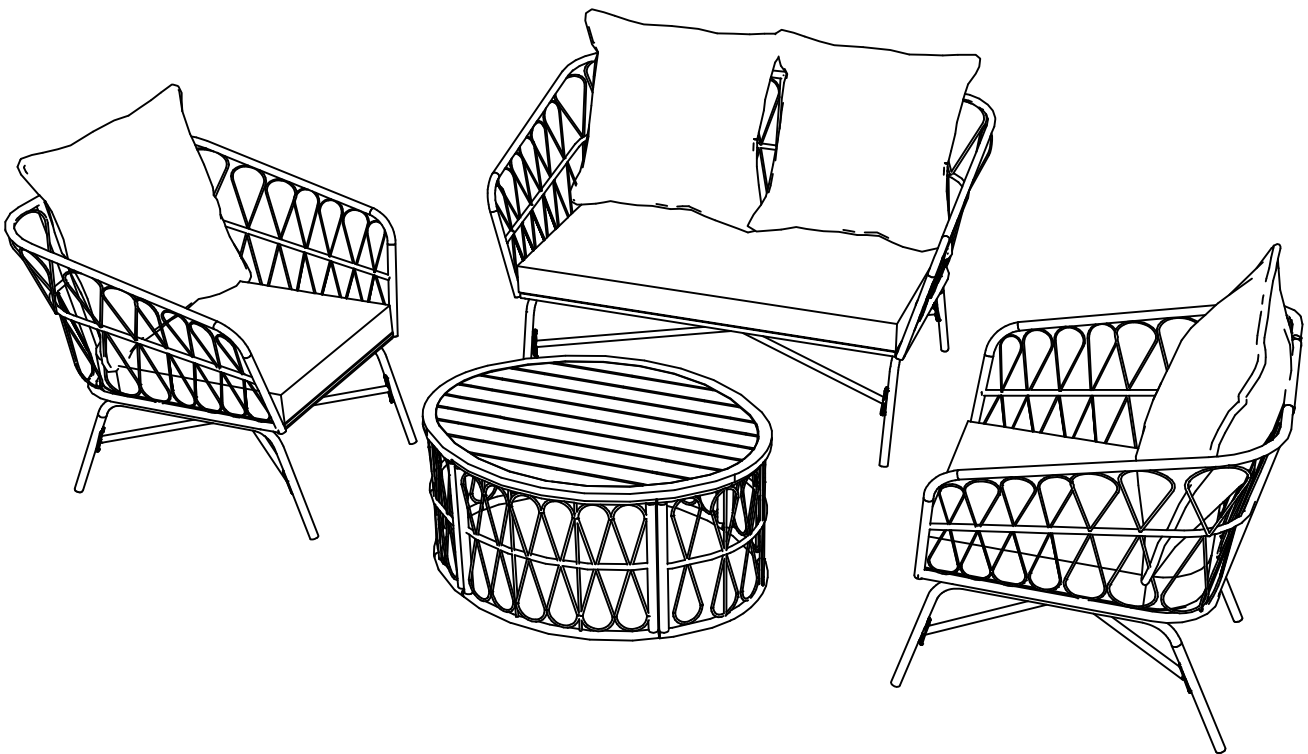


# ASSEMBLY INSTRUCTION

If you have any questions, please feel free to contact us.  
Email: [lowesteam@animalife.com](mailto:lowesteam@animalife.com)



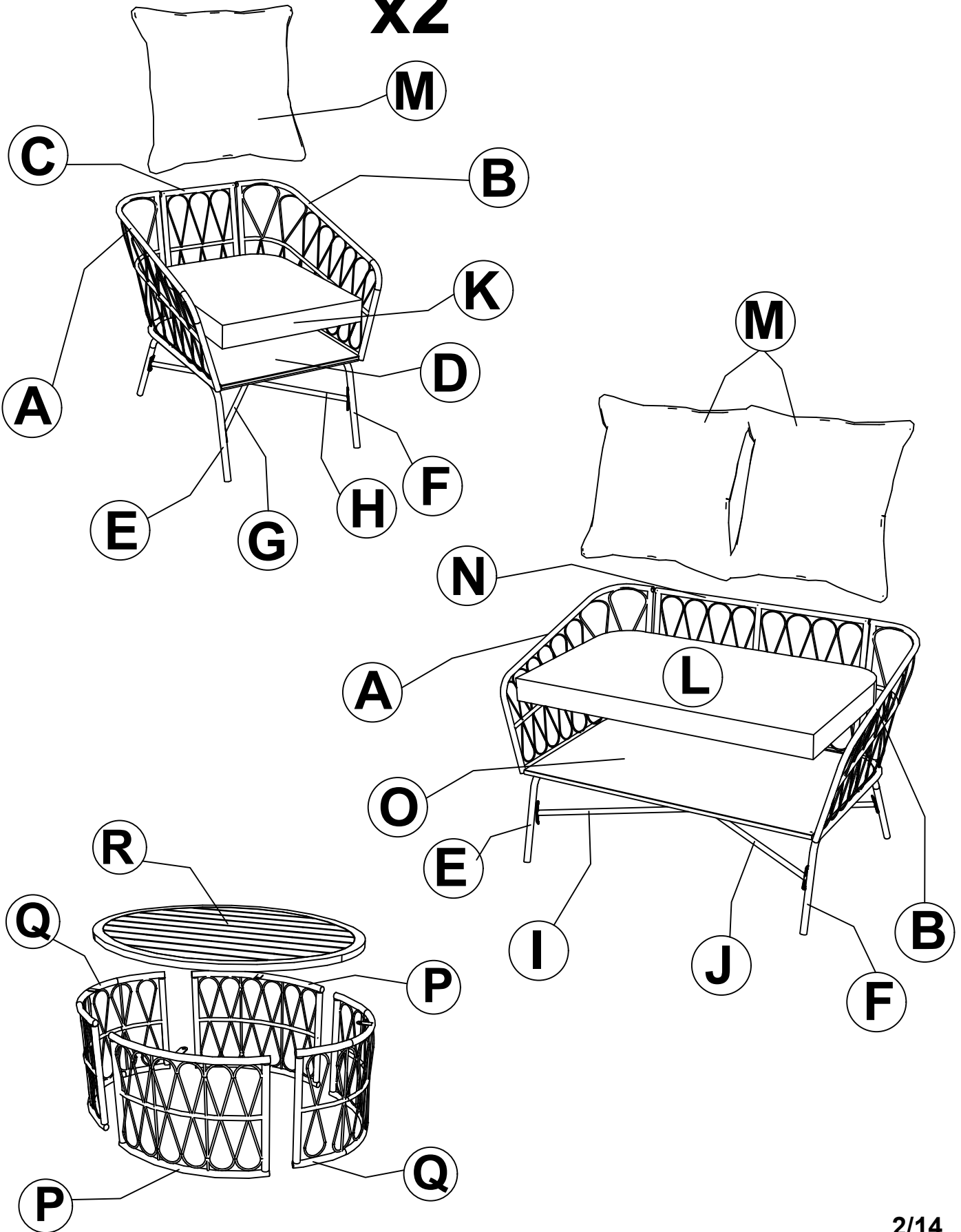
**WF316742**

**WF316743**

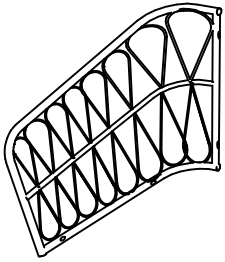
Notice:

1. 50% Tighten before fixing all screws, Allen wrench is recommended instead of an electric drill.
2. Place the item on a flat ground to adjust and make sure it remains stable.
3. Tighten up all screws with tools gradually.
4. If the screws are not aligned with holes during assembly, please loosen all the other screws to 50% and continue the assembly process.
5. If the item is not stable, please loosen all the screws, adjust it on a flat ground and tighten up all screws again.
6. Note : If one or some screws are fully tightened during assembly, chances are the others will not be aligned with holes. In addition, all the holes are designed to be relatively larger to provide more space for the adjustment of the screws.

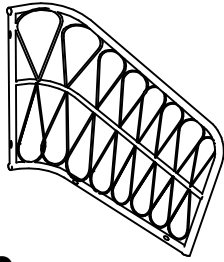
# Explored View x2



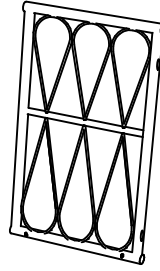
# PART LIST



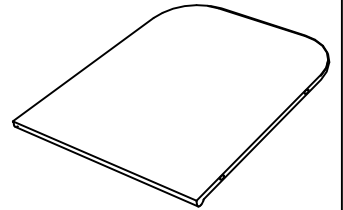
**Ax3**



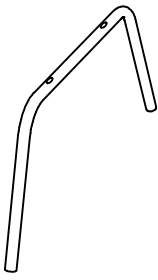
**Bx3**



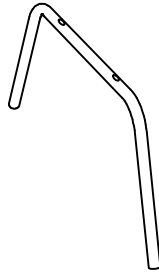
**Cx2**



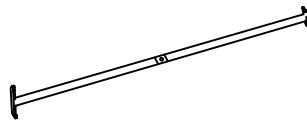
**Dx2**



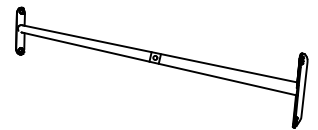
**Ex3**



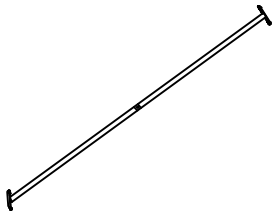
**Fx3**



**Gx2**



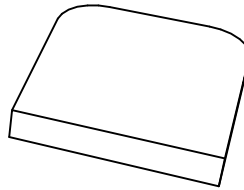
**Hx2**



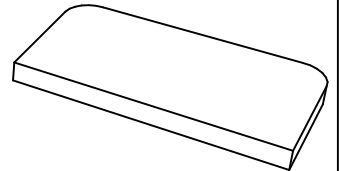
**Ix1**



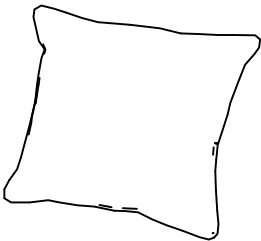
**Jx1**



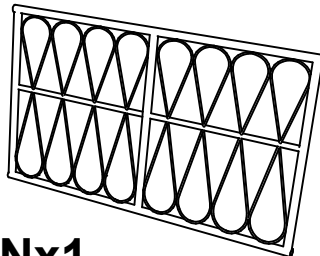
**Kx2**



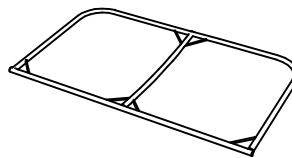
**Lx1**



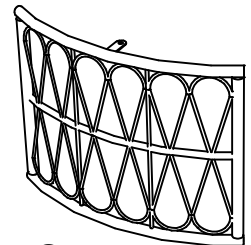
**Mx4**



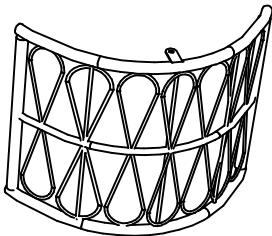
**Nx1**



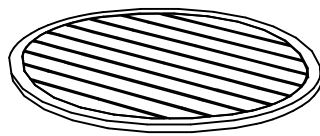
**Ox1**



**Px2**

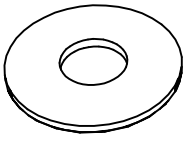


**Qx2**



**Rx1**

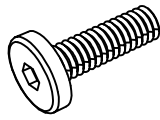
# HARDWARE LIST



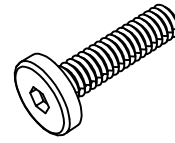
**1- Washer : 94 pcs**  
Extra : 2 pcs



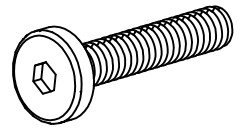
**2- Bolt 6x15:20 pcs**



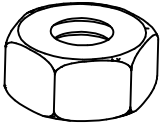
**3- Bolt 6x20: 24 pcs**  
Extra : 2 pcs



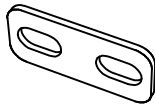
**4- Bolt 6x25: 3pcs**



**5- Bolt 6x40 : 44 pcs**  
Extra : 2 pcs



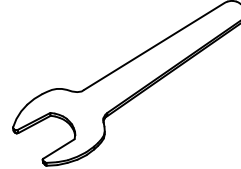
**6- Nut : 3 pcs**



**7- Keeper Plate :  
8 pcs**



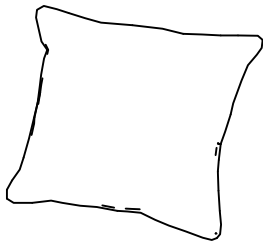
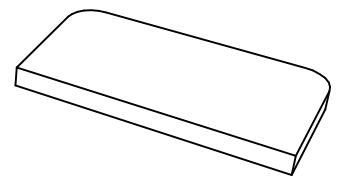
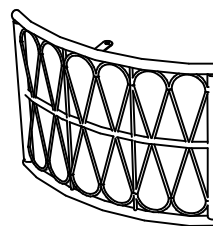
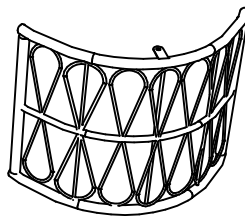
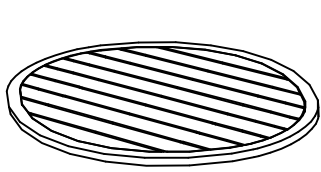
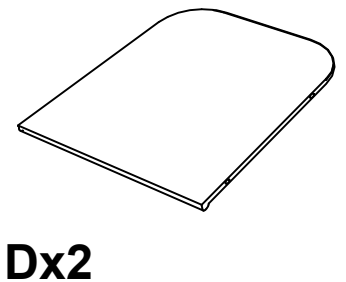
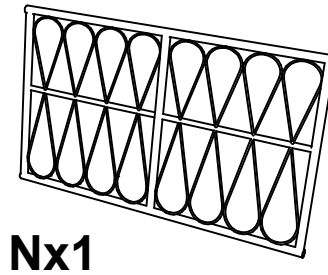
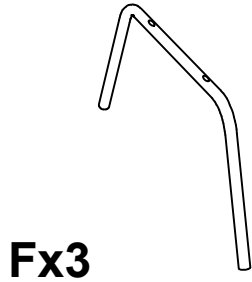
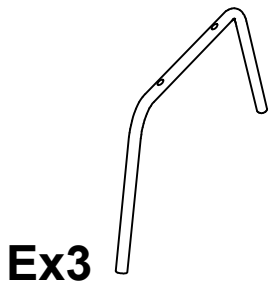
**8- Allen key : 2 pcs**



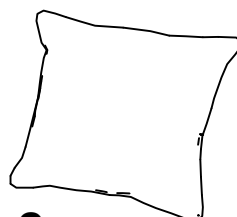
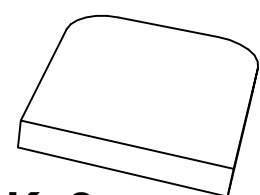
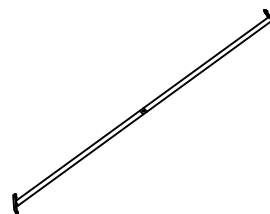
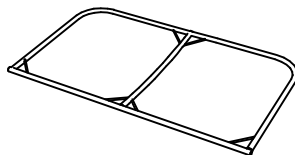
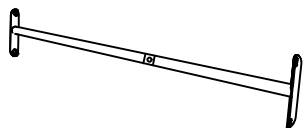
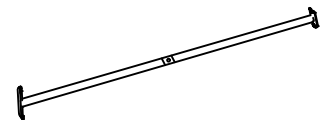
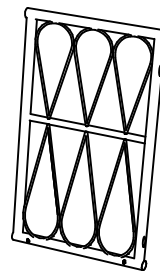
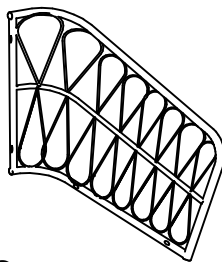
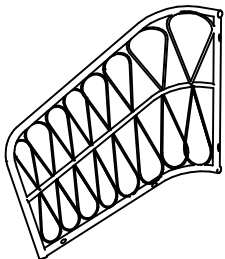
**9- Key : 1 pcs**

# CARTON CONTENT :

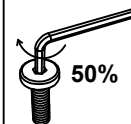
## WF316742 :



## WF316743 :

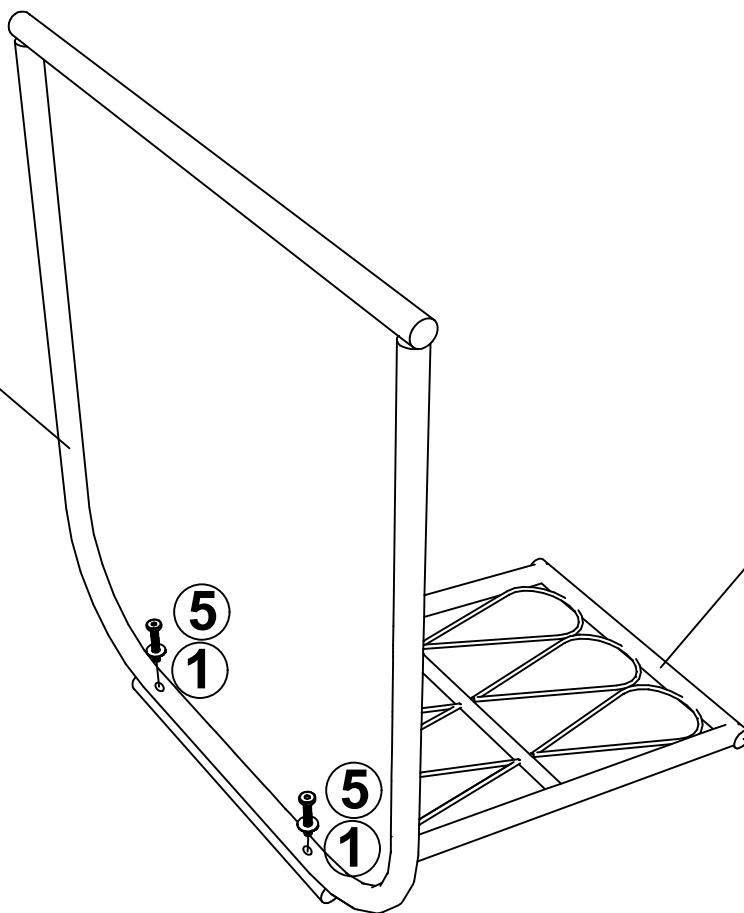


# Step 1



x2

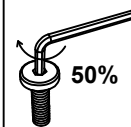
D



C

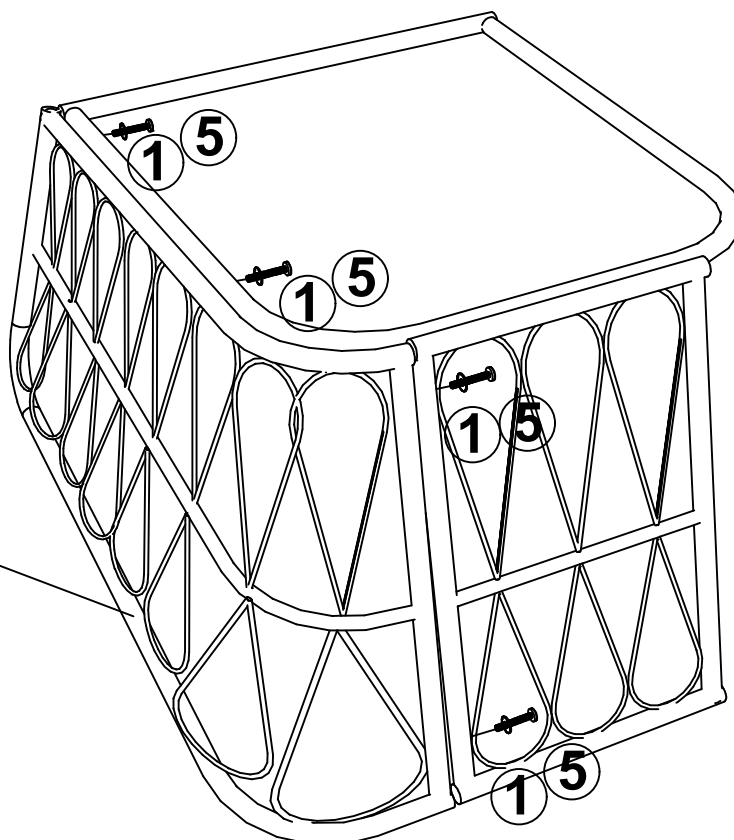
Cx1 Dx1 ①x2 ⑤x2

# Step 2



x2

A

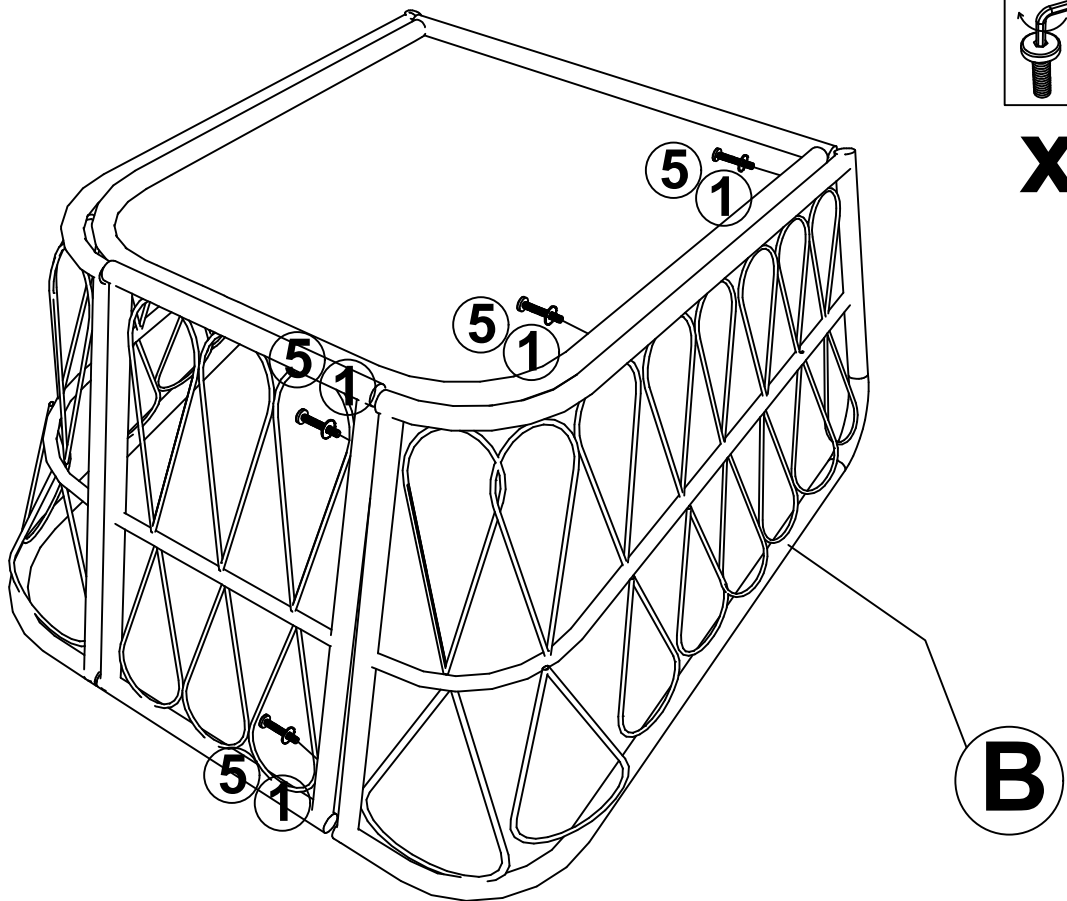


Ax1 ①x4 ⑤x4

# Step 3



x2

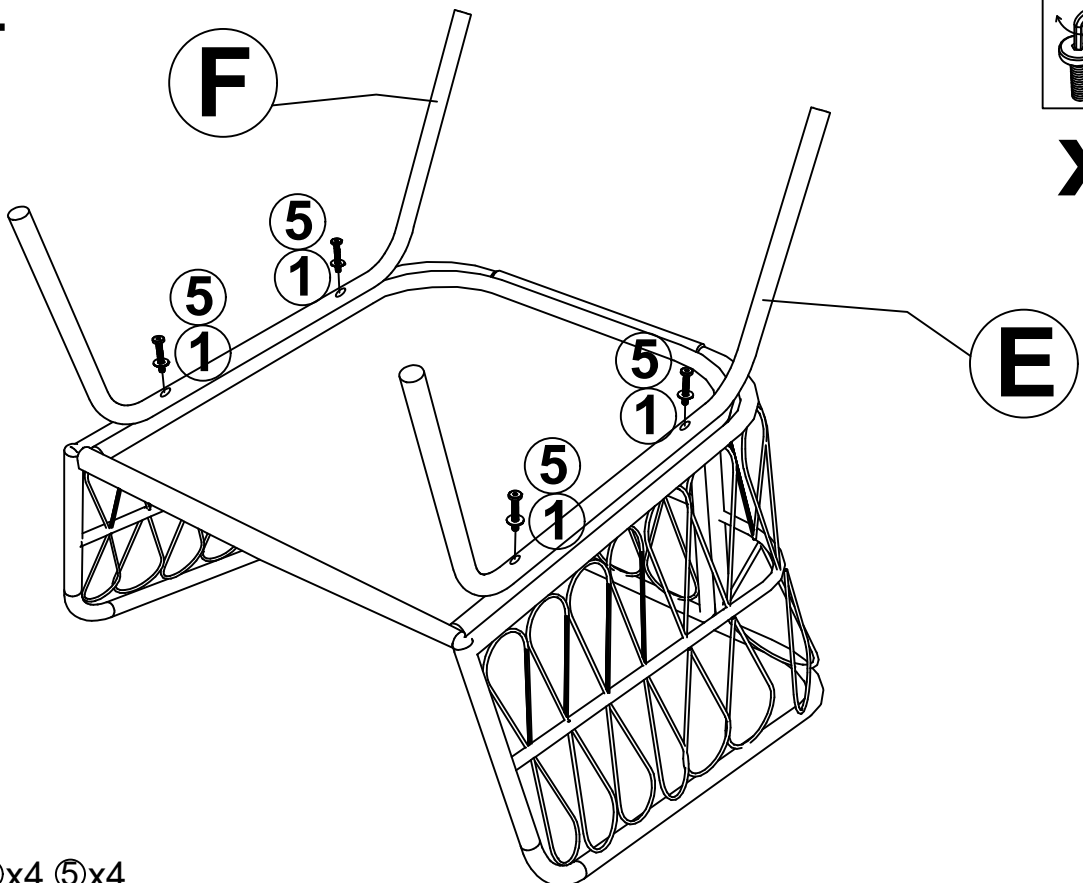


Bx1 ①x4 ⑤x4

# Step 4



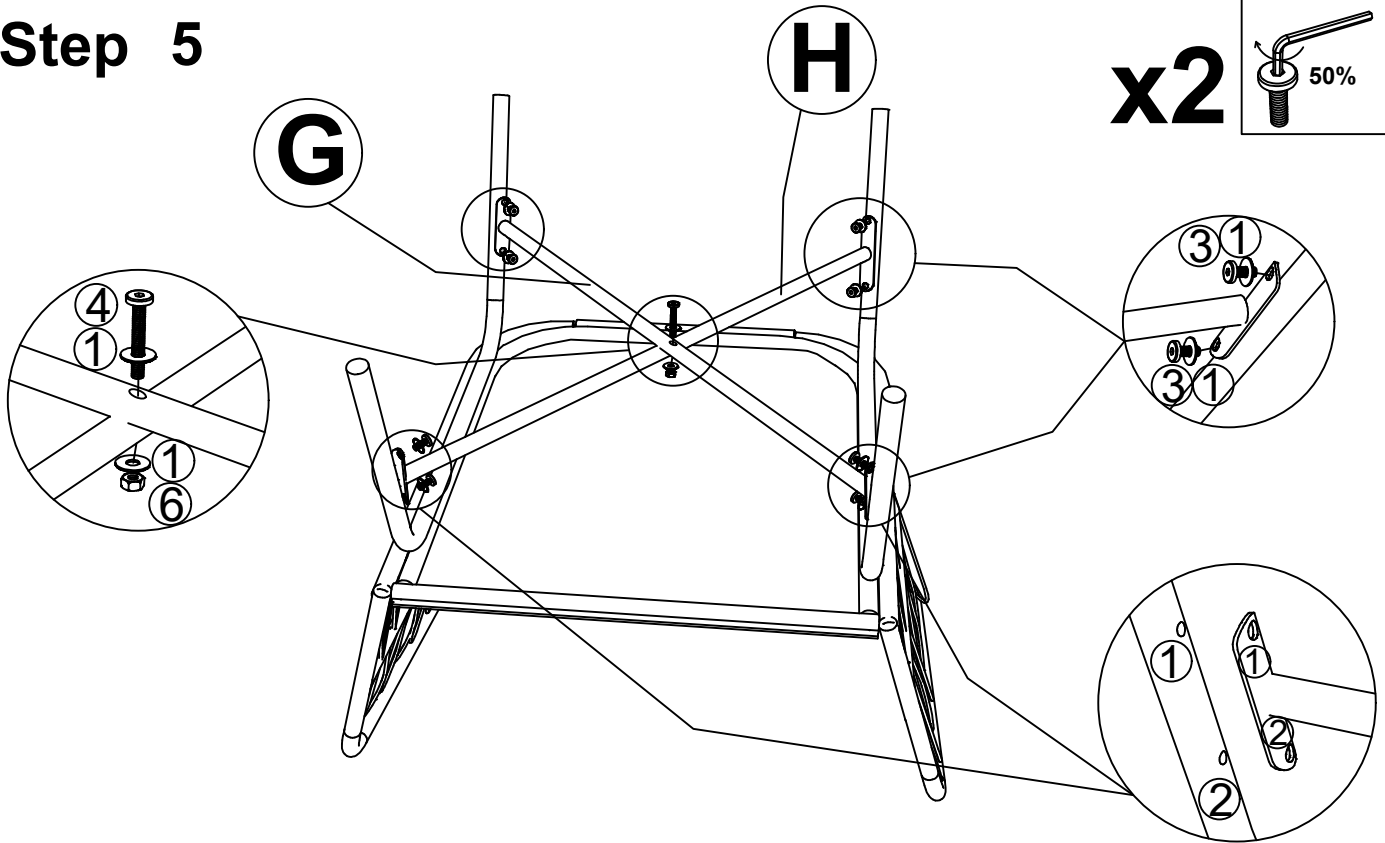
x2



Ex1 Fx1 ①x4 ⑤x4

# Step 5

x2



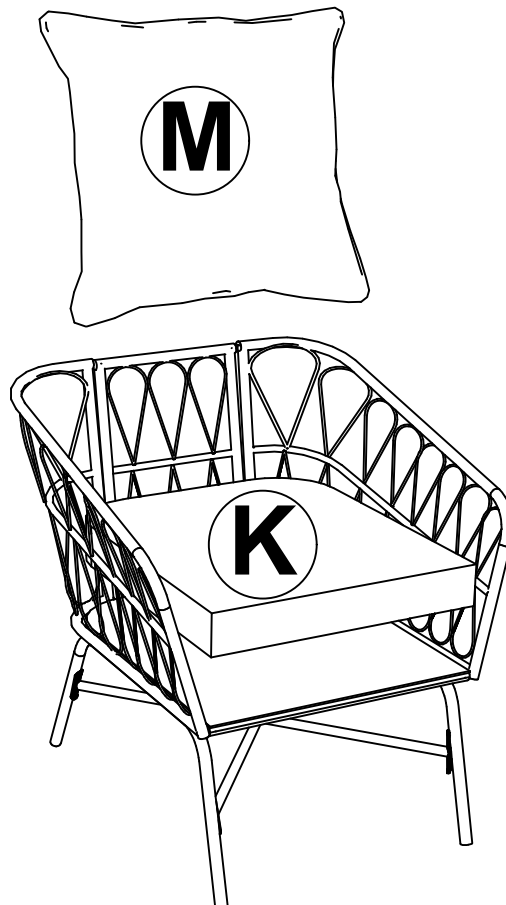
Gx1 Hx1 ①x10 ③x8 ④x1 ⑥x1

Rotate the part (G),(H) to be matched with the part (E),(F) at ticker (1) (2)

# Step 6



x2

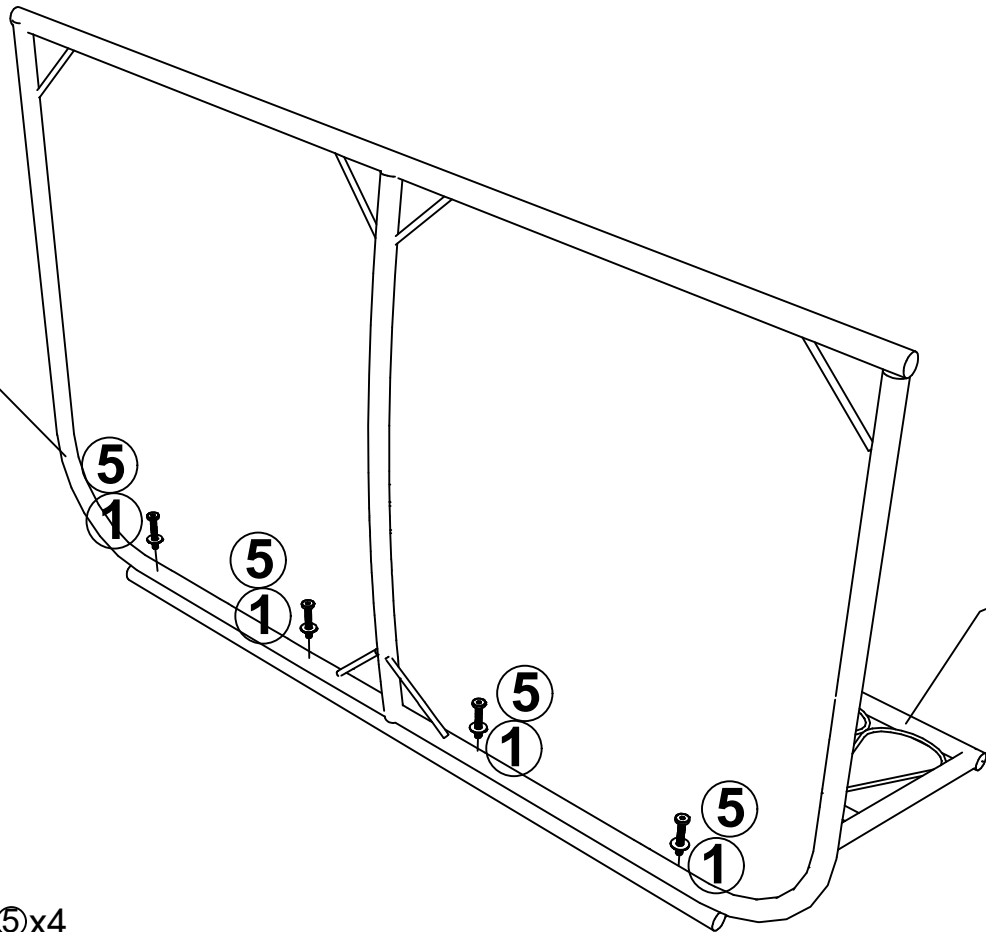


Kx1 Mx1

# Step 7



**O**

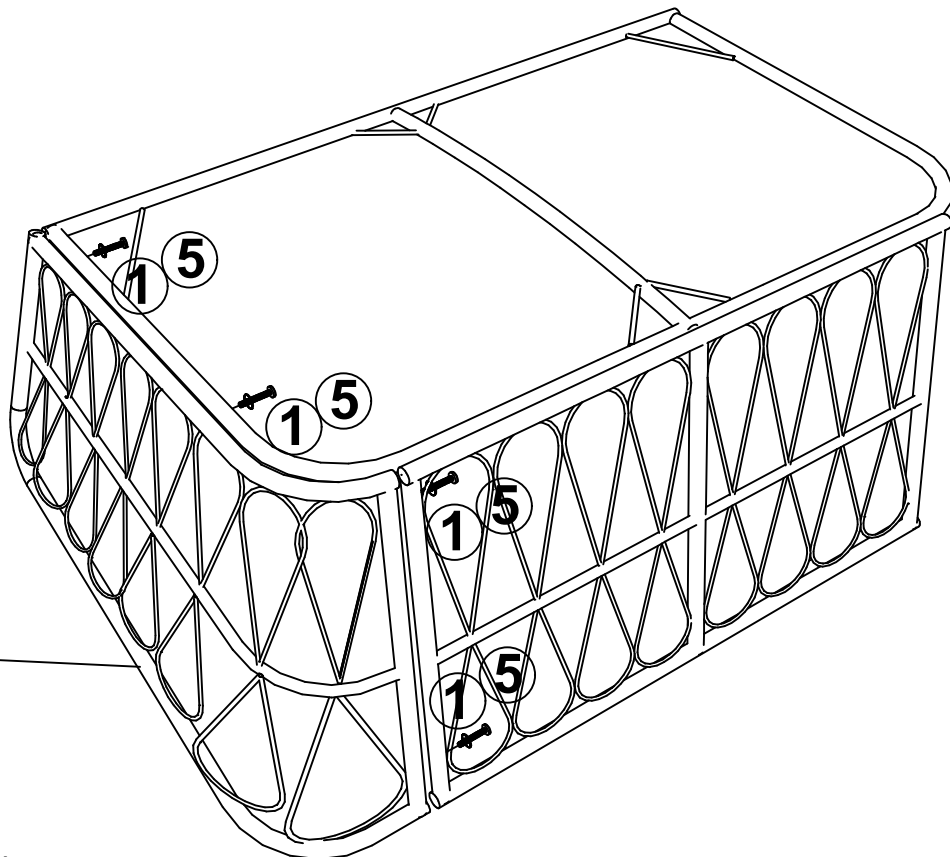


Nx1 | Ox1 | ①x4 | ⑤x4

# Step 8

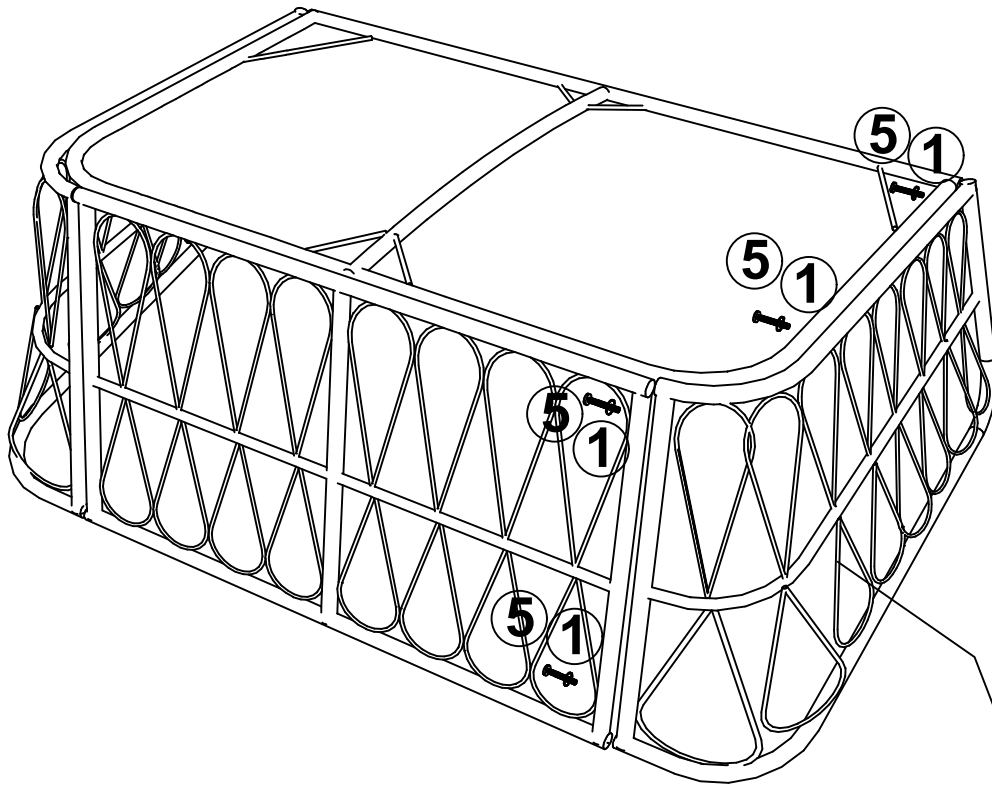


**A**



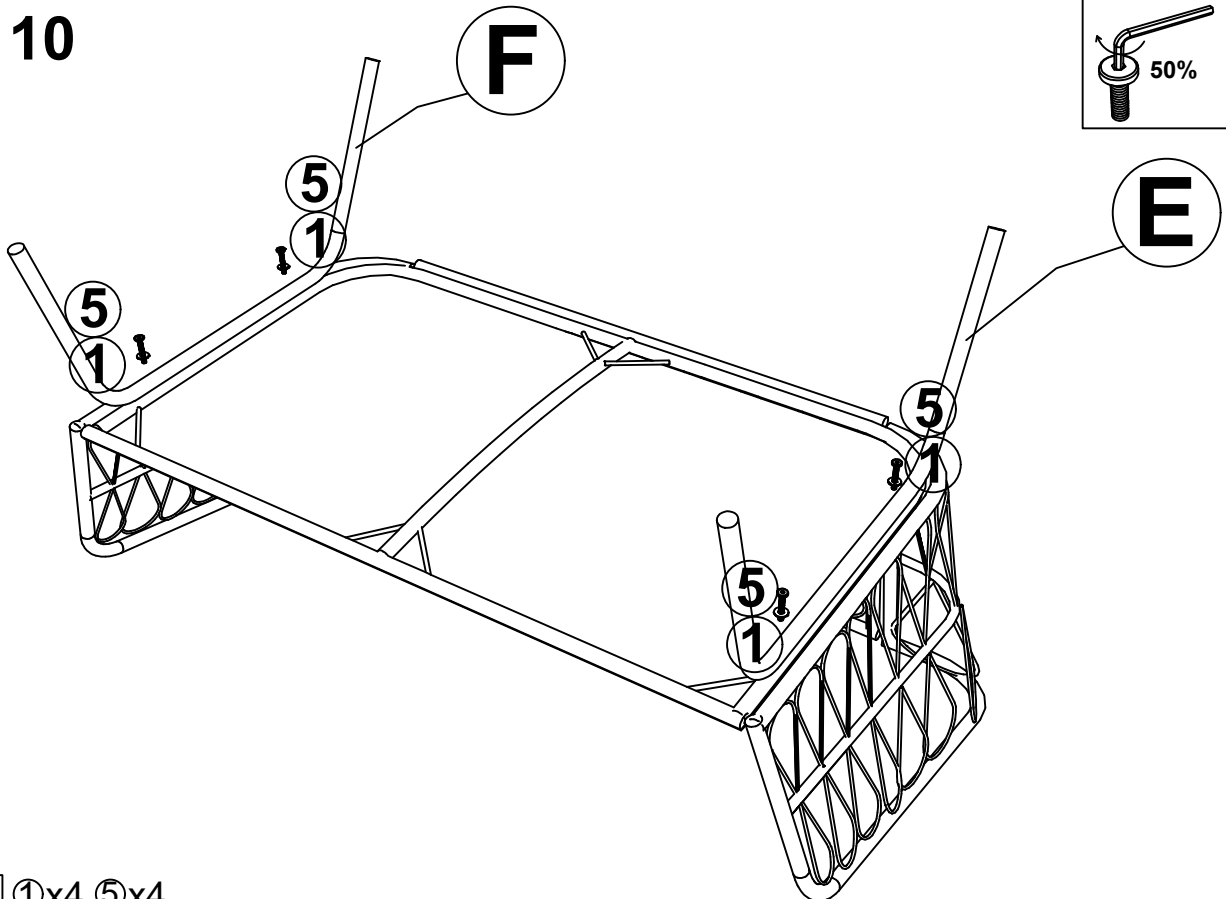
Ax1 | ①x4 | ⑤x4

# Step 9



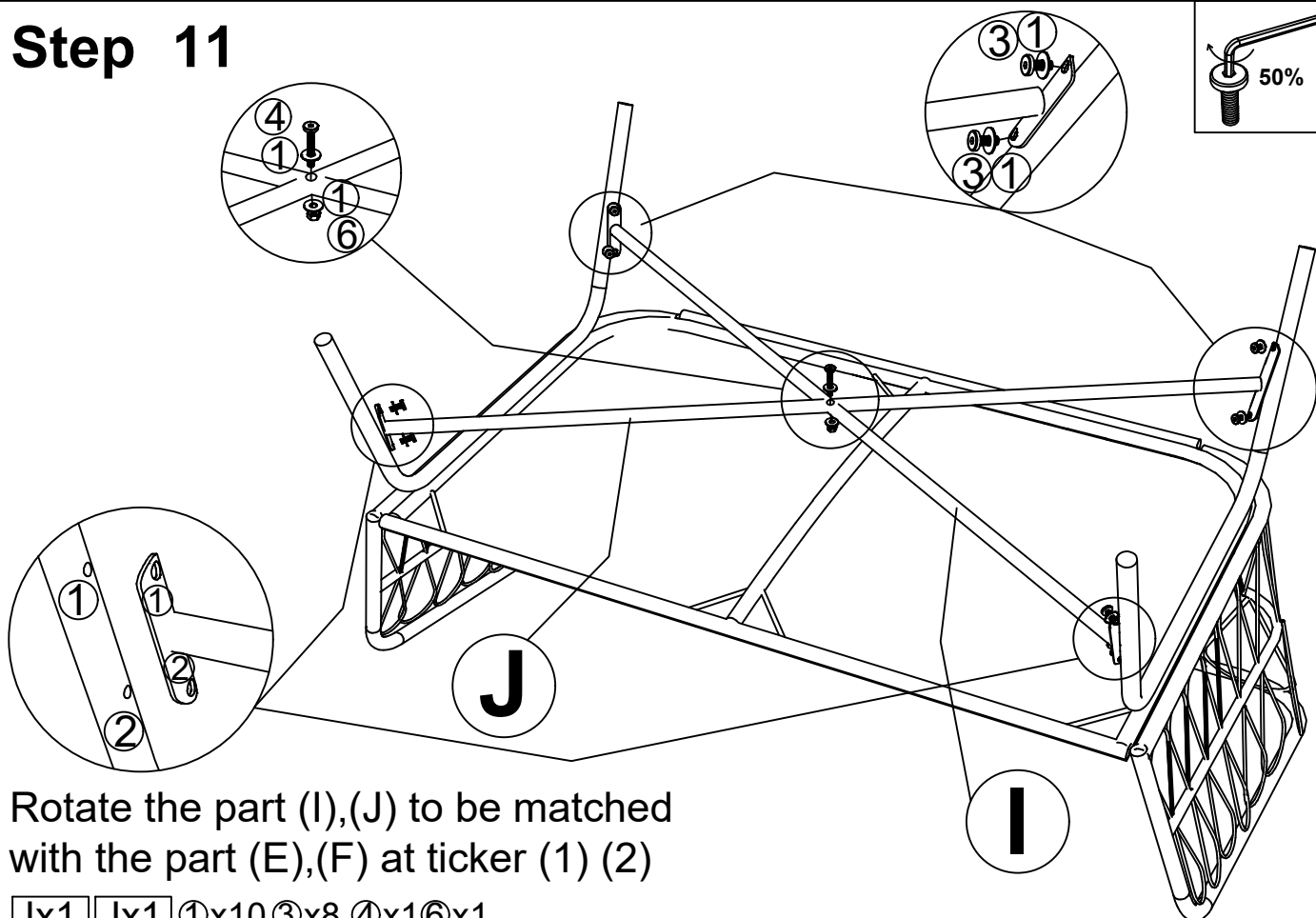
Bx1 ①x4 ⑤x4

# Step 10



Ex1 Fx1 ①x4 ⑤x4

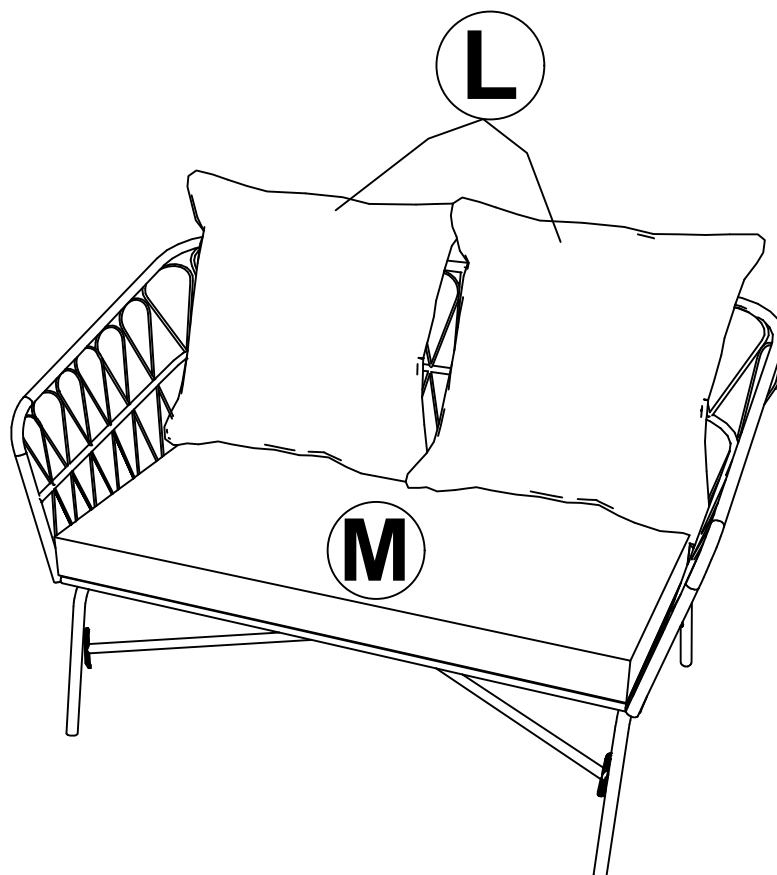
# Step 11



Rotate the part (I),(J) to be matched with the part (E),(F) at ticker (1) (2)

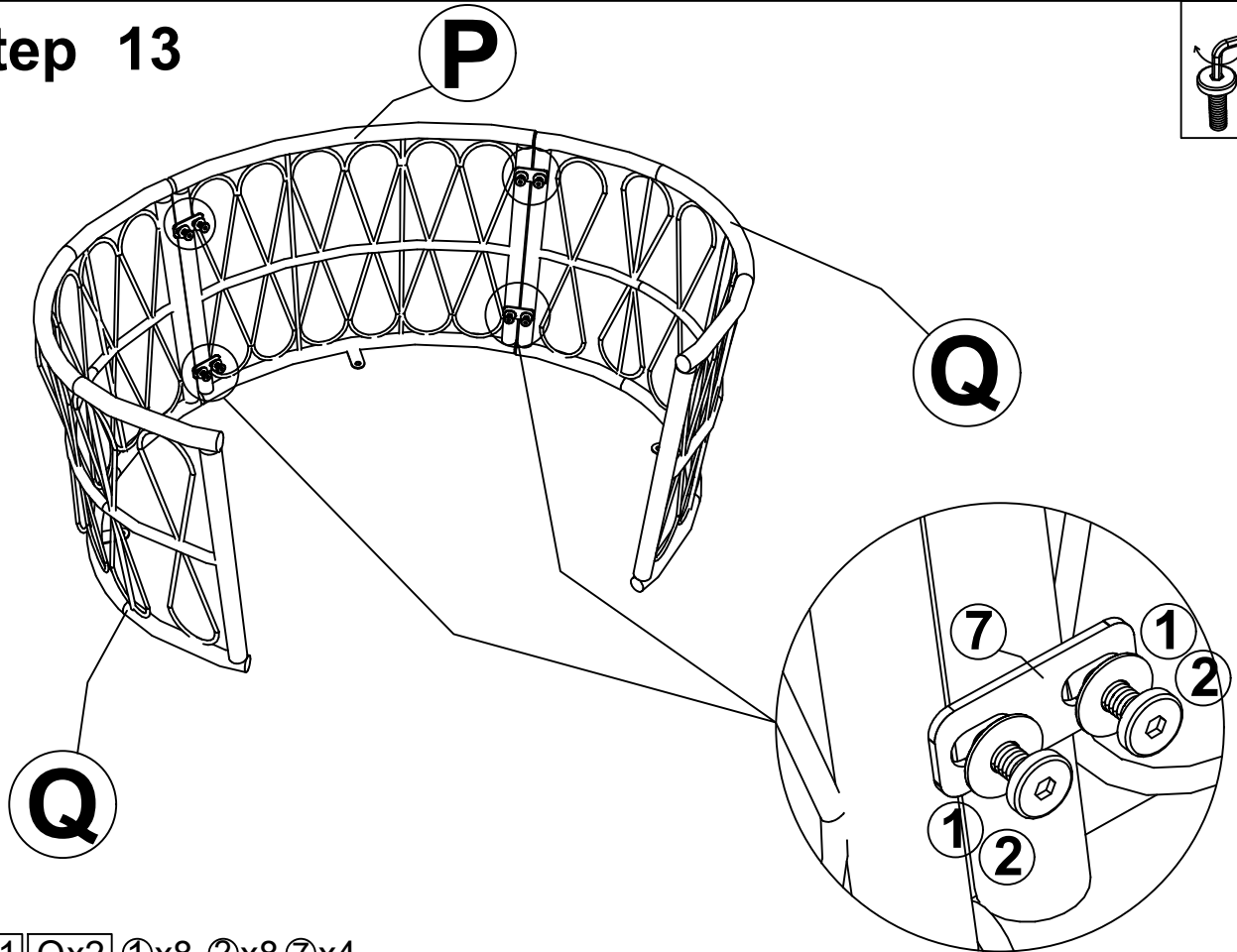
Ix1 Jx1 ①x10 ③x8 ④x1 ⑥x1

# Step 12



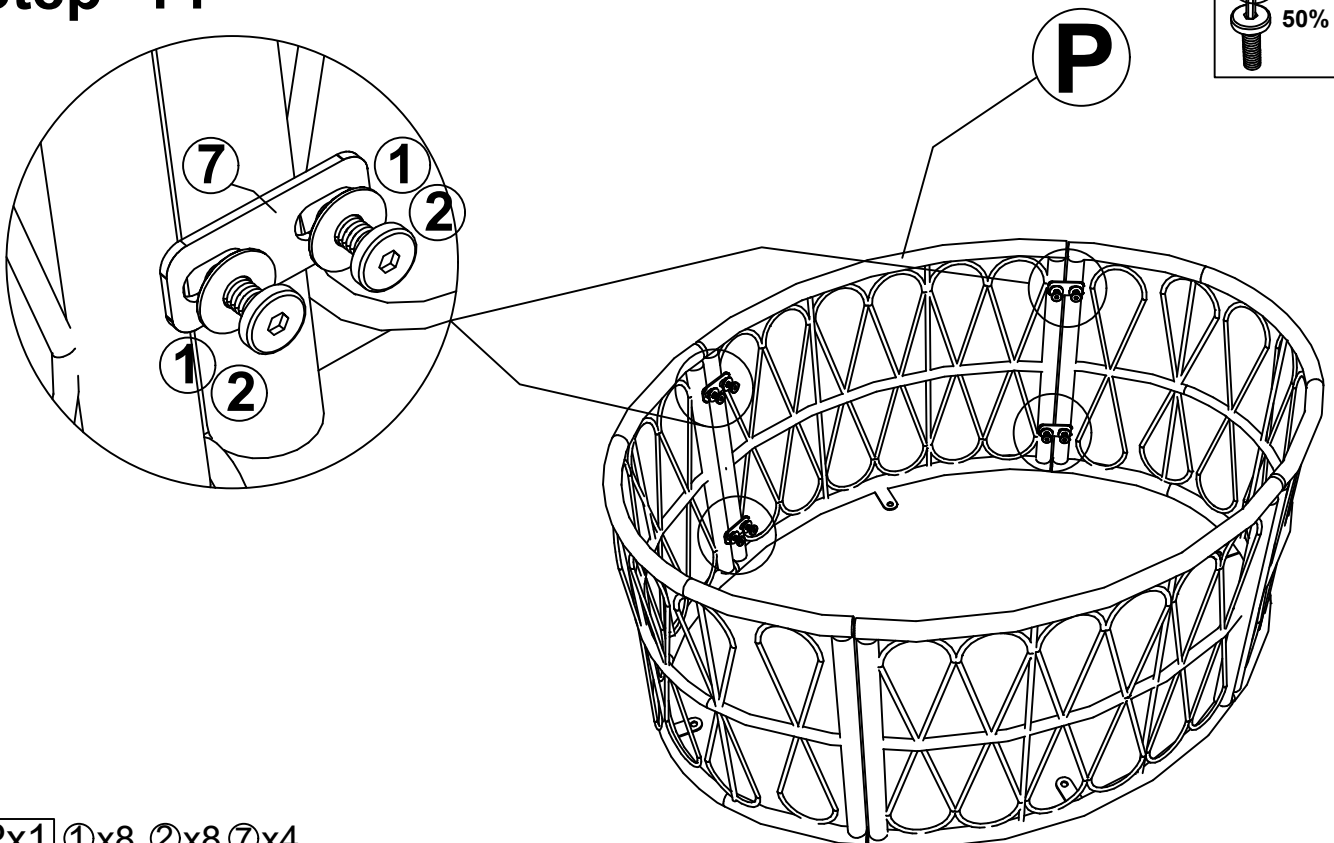
Lx1 Mx1

# Step 13



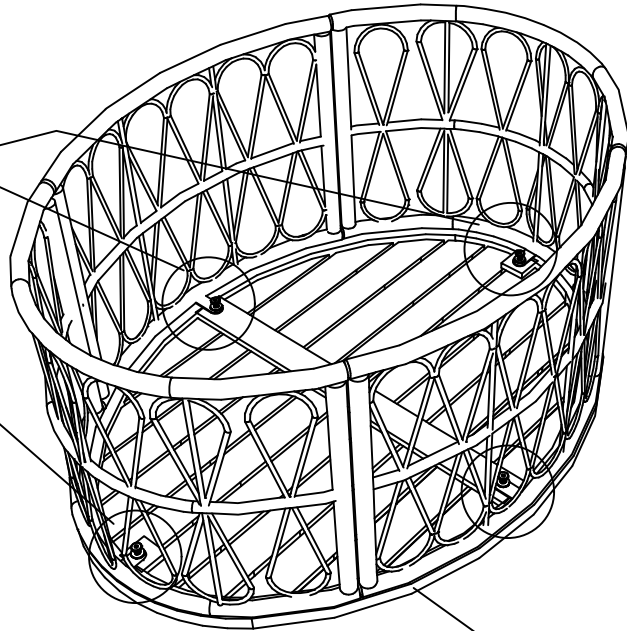
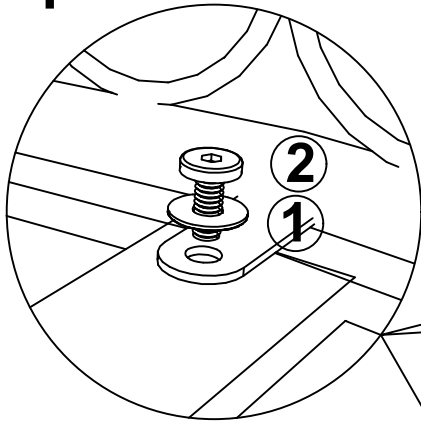
Px1 Qx2 ①x8 ②x8 ⑦x4

# Step 14



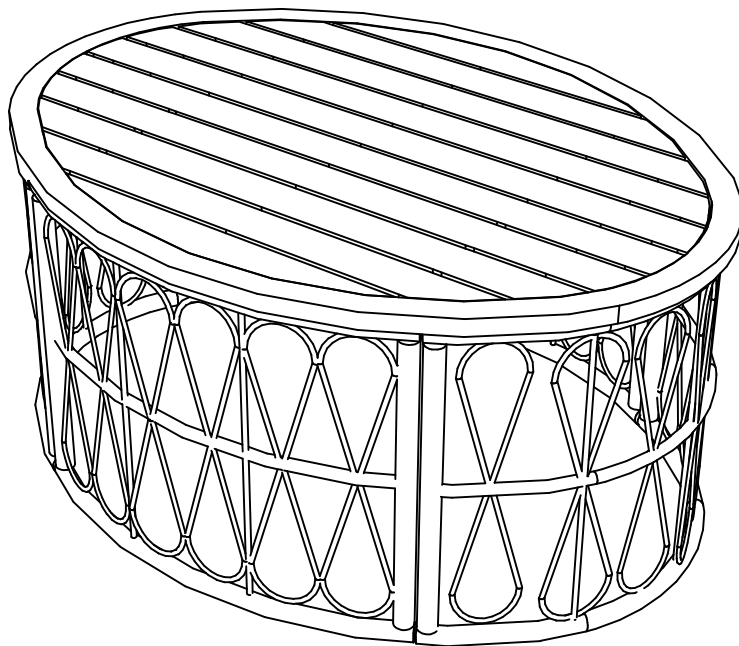
Px1 ①x8 ②x8 ⑦x4

# Step 15



Nx1 ①x4 ②x4

# Step 16



# Step 15

