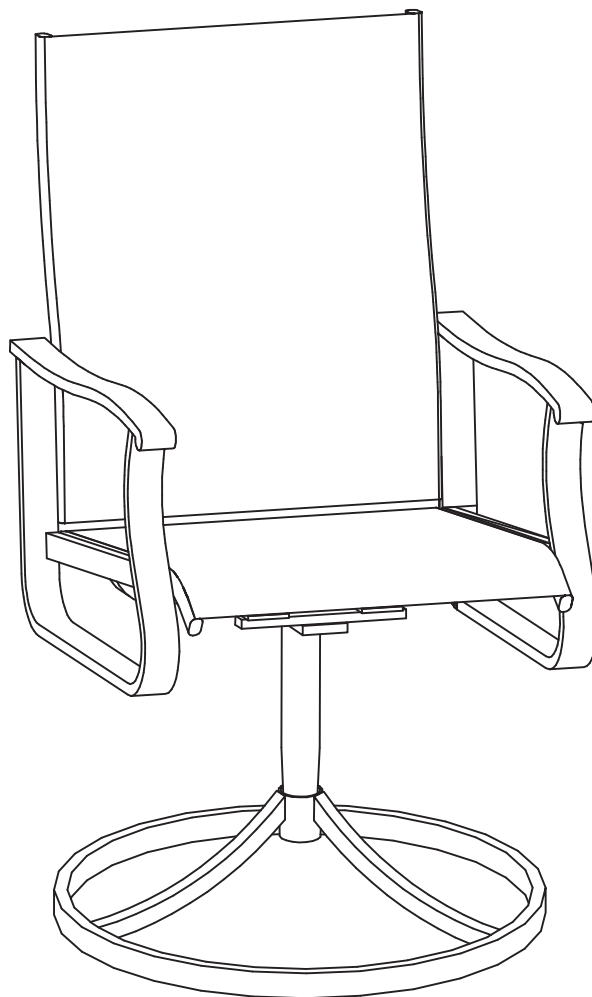


PATIO SWIVEL CHAIRS

If you have any questions about the product, please feel free to contact us.

E-Mail: Patiofurniture Serviceteam@outlook.com



After-sales mailbox:
Patiofurniture Serviceteam@outlook.com

NOTICE



Please keep these instructions for future reference.

Dear Customer

- Thank you for your purchase. When you receive the product, please make sure that all the parts are intact. Then follow the entire installation instructions to install!
- When installing, please be careful not to tighten the screws immediately! You need to make sure that all the screws are secured to 80%, then tighten them!

- A . The outer box is damaged
- B . The product is damaged / bent / cracked while you open the box
- C . The parts / accessories / assembly tools are missing
- D . The instructions are not clear and can not be referred
- E . The product has functional problems
- F . Other aspects that you are not satisfied with

Please feel free to contact us for help. Our after-sales team service (Patiofurnitureseviceteam@outlook.com) will reply within 24 hours and will do our best to resolve the problem for you.

Please feel free to contact us for help, and provide the following information:
Platform/Shop name/Order ID/buyer's name/ Receiver's address/Problem description.

o



Please keep the original boxes for returns, refunds will be refused for other boxes. Check the integrity of the components and handle them gently during installation!

The assembly area requires protective measures to avoid surface damage during the assembly process.

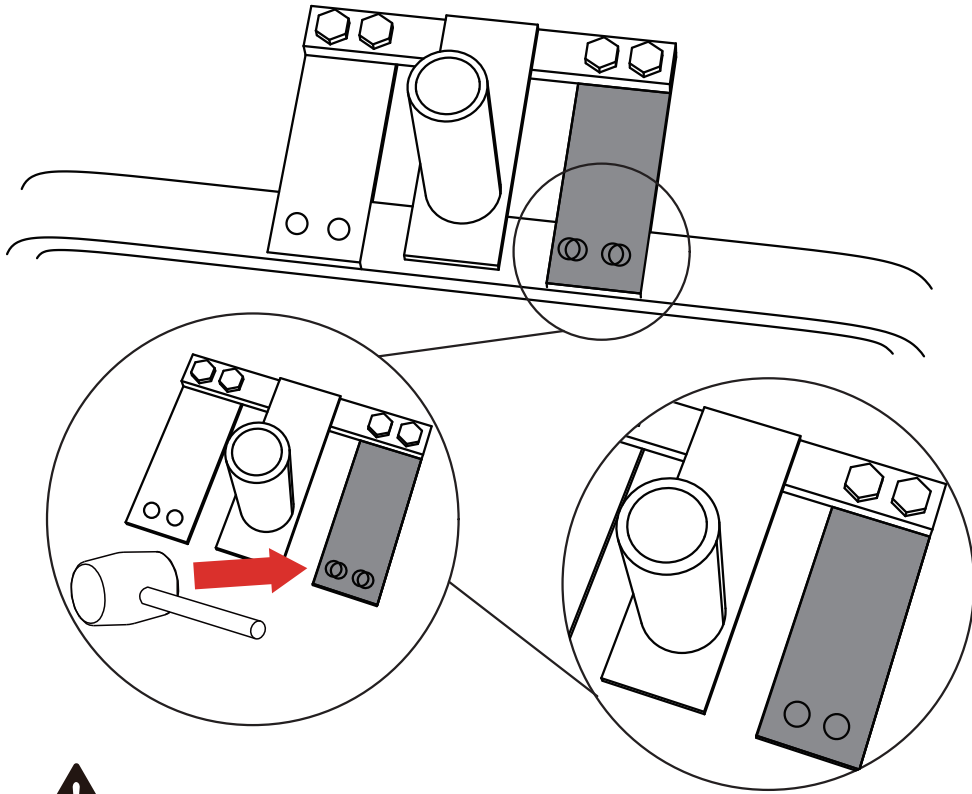
NOTICE



NOTICE



If the screw holes are not aligned, please use a hammer on that side to ensure that the screw holes are properly aligned.

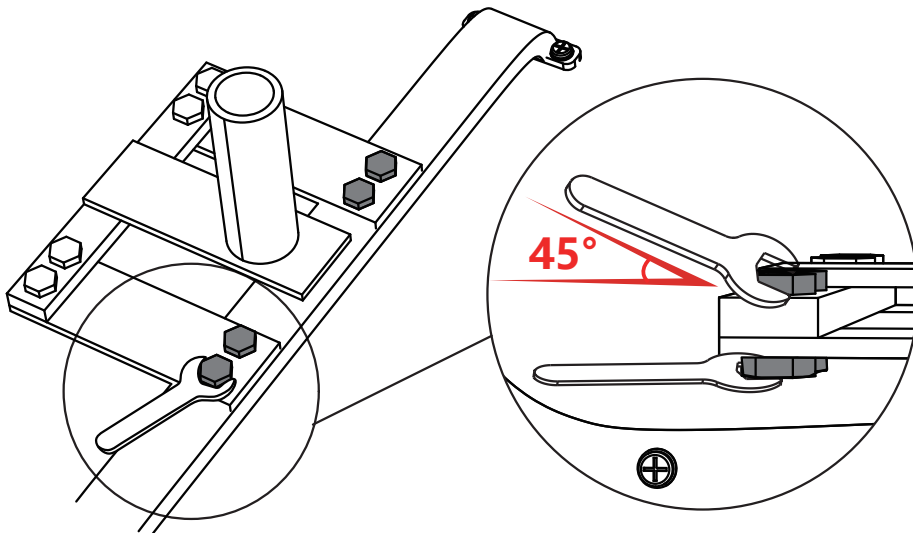


NOTICE

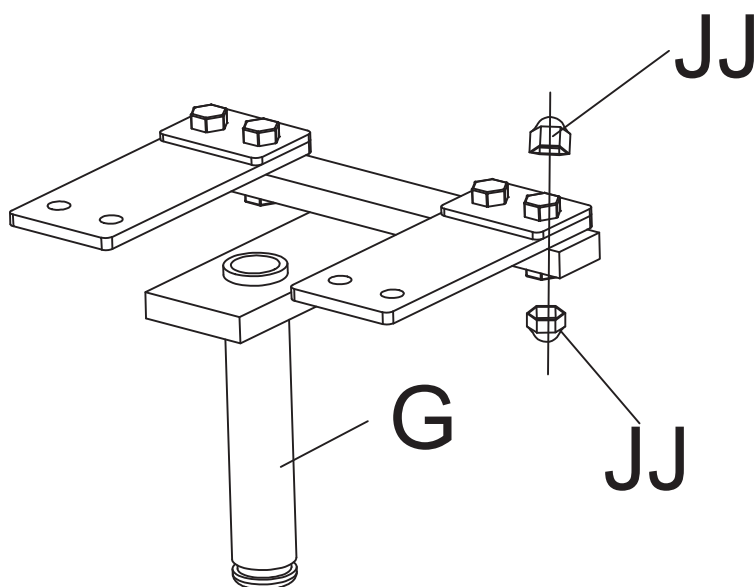


The upper screwdriver needs to be turned at a 45-degree angle to tighten the screws.

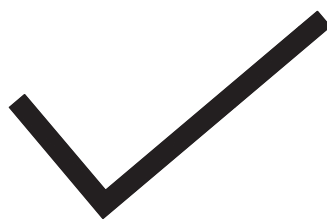
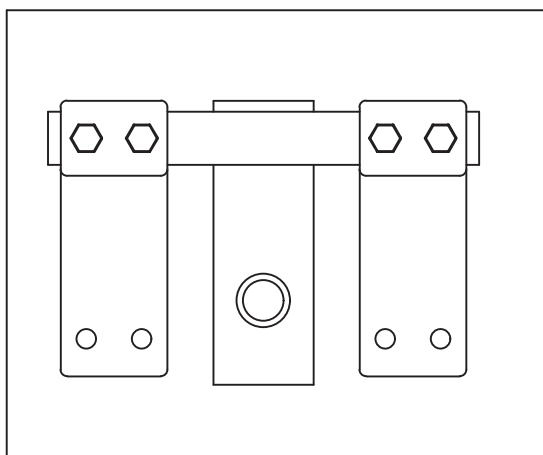
The bottom screwdriver needs to be used horizontally to tighten the screws.



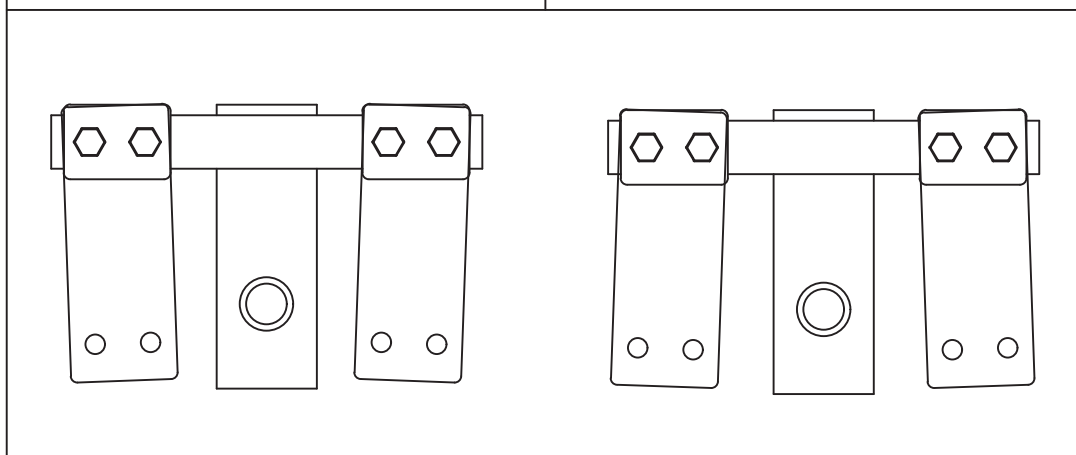
NOTICE



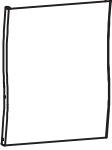





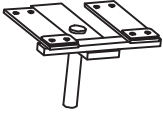
If you find that the metal plate is tilted or does not align with the holes in the base during assembly, you can use a wrench to loosen the screws, adjust them, then tighten them again, and finally cover the nuts with the caps.



JJ:8PCS X2
G:1PC X2



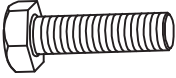
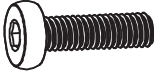





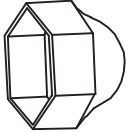
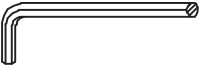



PART LIST

<p>(A)</p> 	<p>(B)</p> 	<p>(C)</p> 	<p>(D)</p> 	<p>(E)</p> 
<p>2 pcs</p>	<p>2 pcs</p>	<p>2 pcs</p>	<p>2 pcs</p>	<p>2 pcs</p>
<p>(F)</p> 	<p>(G)</p> 			
<p>2 pcs</p>	<p>2 pcs</p>			

1. Please ensure that all accessories are complete before starting the installation.
 2. Due to the variety of accessories, many accessories may be glued together, please check carefully
 3. If any accessories are missing or damaged, please contact the seller immediately.
- E-Mail: Patiofurniture Serviceteam@outlook.com

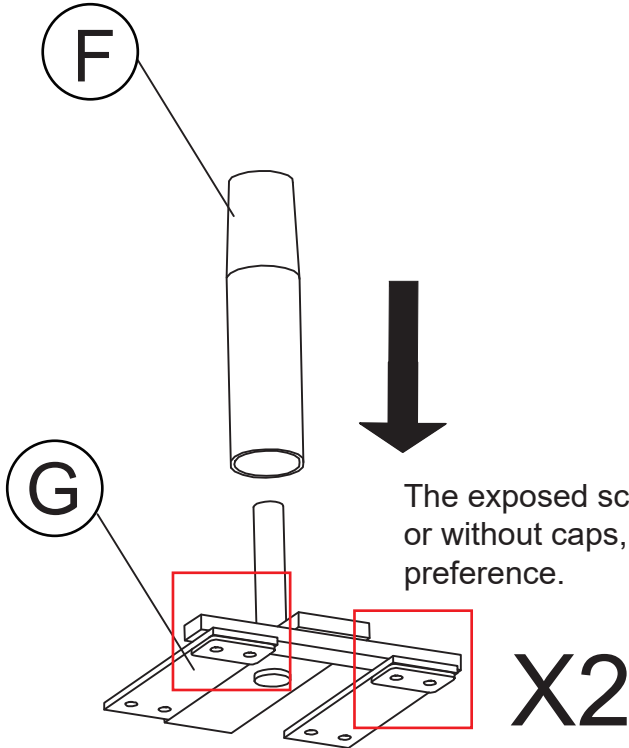
HARDWARE LIST




<p>Ⓐ</p> 	<p>Ⓑ</p> 	<p>Ⓒ</p>  <p>M8*35</p>	<p>Ⓓ</p>  <p>M6*25</p>	<p>Ⓔ</p>  <p>M6</p>
<p>4 pcs</p>	<p>8 pcs</p>	<p>8 pcs</p>	<p>8 pcs</p>	<p>16 pcs</p>
<p>Ⓕ</p>  <p>M6*35</p>	<p>Ⓖ</p>  <p>M6</p>	<p>Ⓗ</p>  <p>M8</p>	<p>Ⓘ</p>  <p>M8</p>	<p>Ⓝ</p>  <p>M8</p>
<p>8 pcs</p>	<p>16 pcs</p>	<p>8 pcs</p>	<p>8 pcs</p>	<p>32 pcs</p>
<p>Ⓚ</p>  <p>M6</p>	<p>Ⓛ</p>  <p>M8</p>			
<p>1 pc</p>	<p>2 pcs</p>			

STEP 1

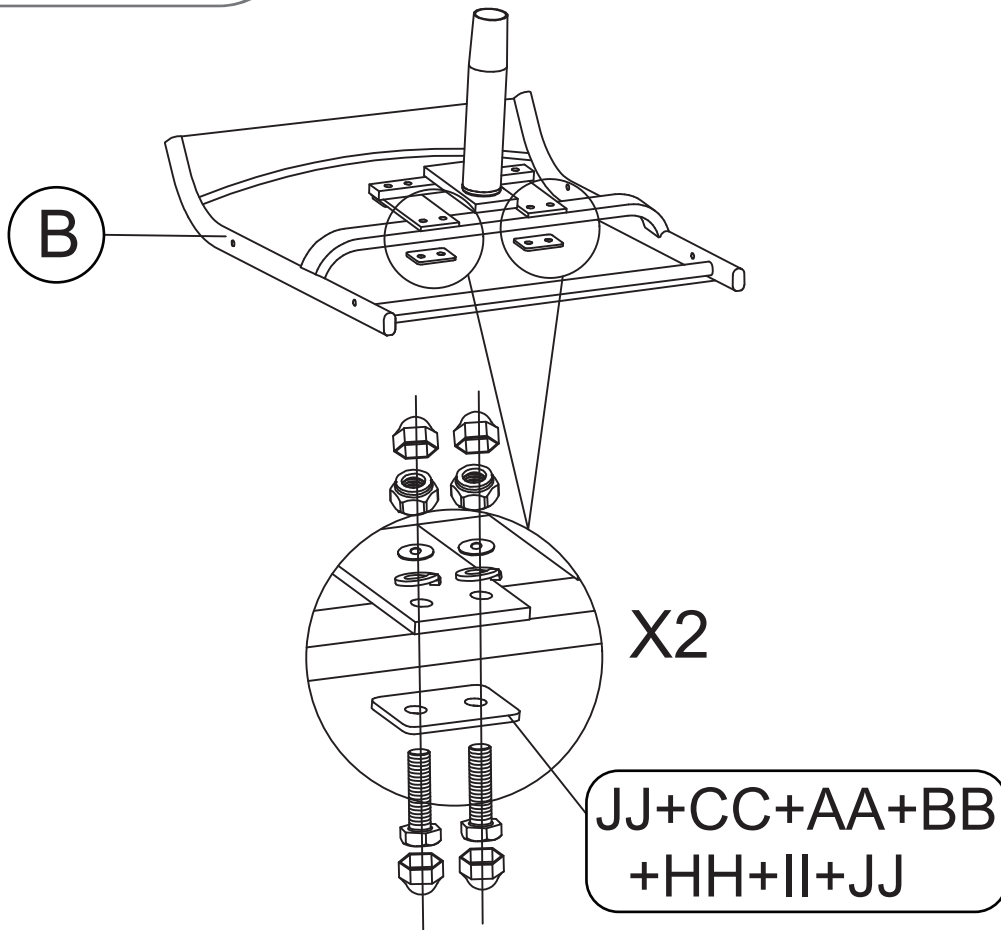
NOTICE








When installing, please be careful not to tighten the screws immediately!
You need to make sure that all the screws are secured to 80%, then tighten them!



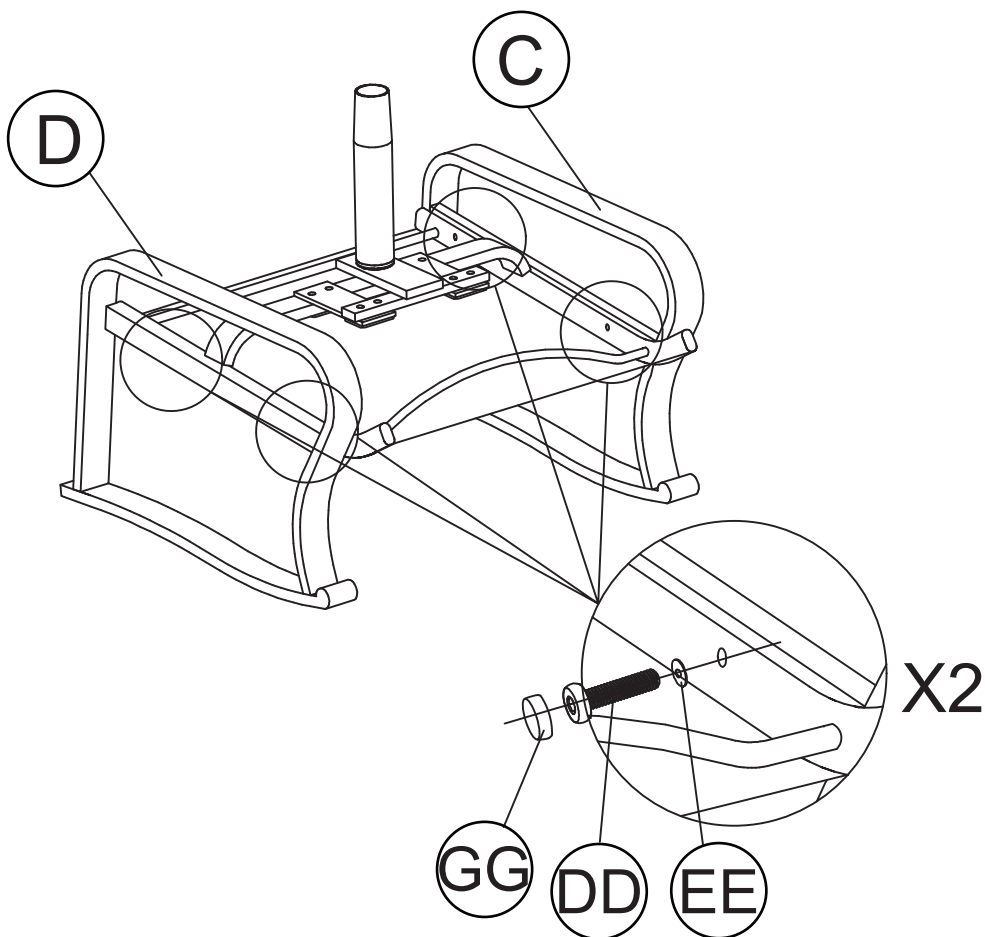

2 pcs

2 pcs

M8
16 pcs






STEP 2



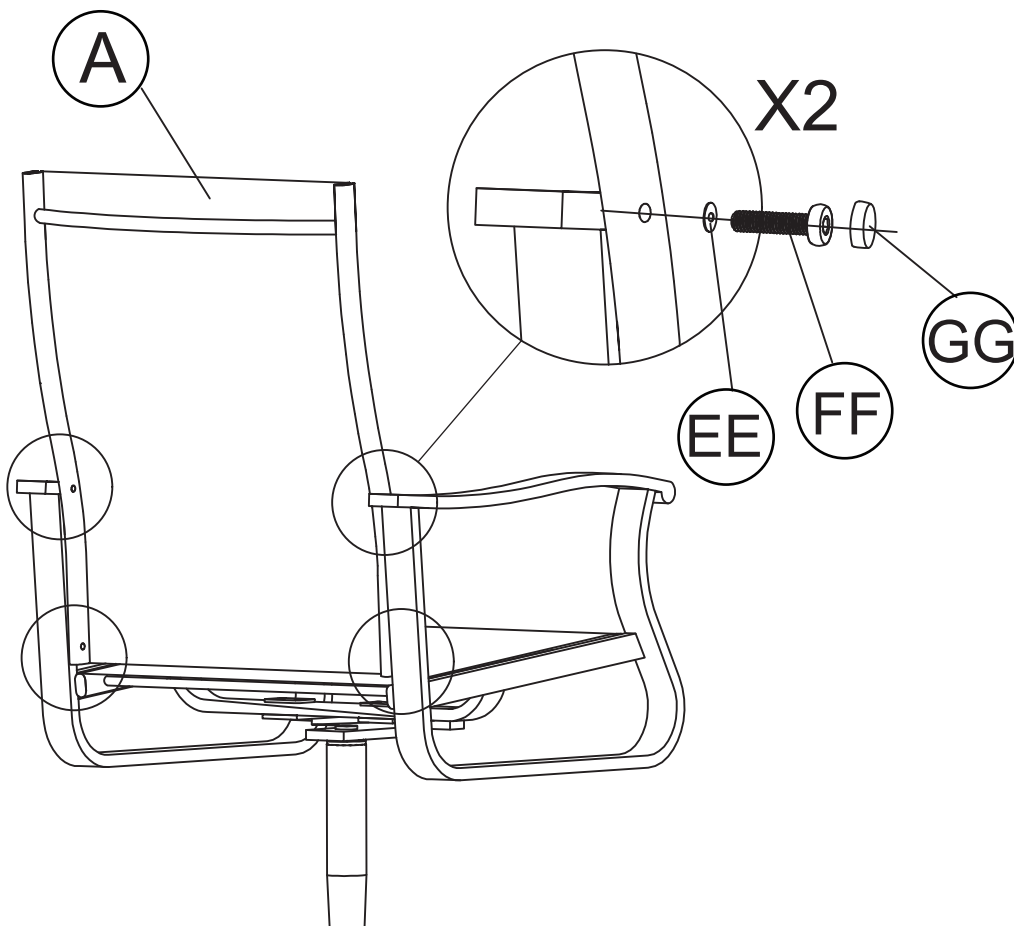
	
2 pcs	4 pcs
	
8 pcs	M8*35 8 pcs
	
M8 8 pcs	M8 8 pcs
	
	M8 16 pcs





STEP 3



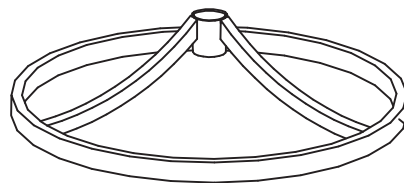
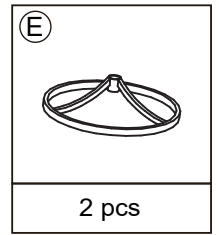
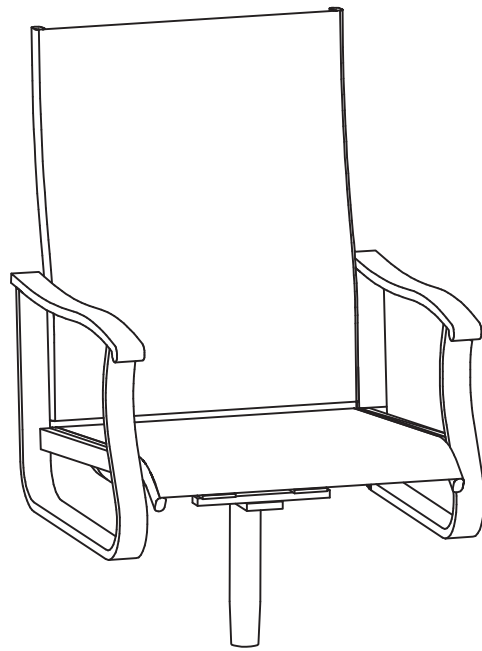
	
2 pcs	2 pcs
	
M6*25 8 pcs	M6 8 pcs
	
M6 8 pcs	

STEP 4



	
2 pcs	M6 8 pcs
	
M6*35 8 pcs	M6 8 pcs

STEP 5

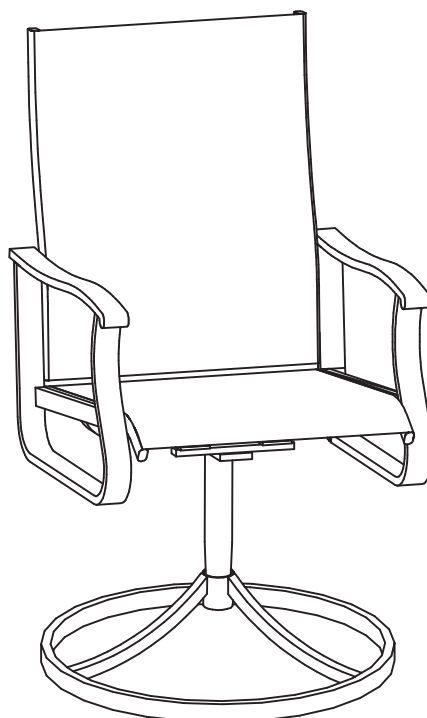


X2

Ⓔ

STEP 6

**The installation is complete.
Make sure all the screws are fully tighten.**



AFTER-SALE SERVICE CARD

If you have any suggestions for our products or find that the products have quality problems, please contact us first, our after-sales team will reply you within 24 hours, and we will do our best to give you solutions until you are satisfied.

Guaranteed Customer Service

Your shopping experience is very important to us!
Feel unsatisfied? **Contact us!**
Have any questions? **Contact us!**

Wanna share how wonderful our smart products makes your home?
Share your pictures with us.
Any suggestions? **Contact us!**
We gotcha back!

✉ Patiofurniture Serviceteam@outlook.com

