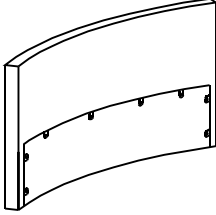
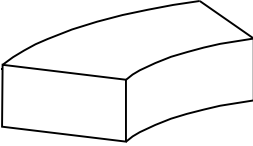
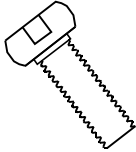



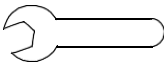
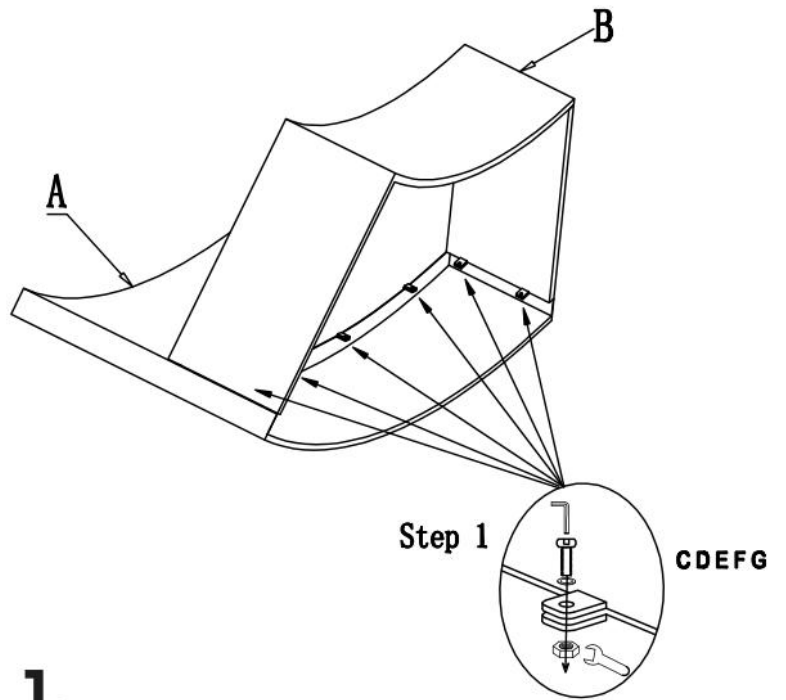


ASSEMBLY INSTRUCTIONS

BEFORE YOU START ASSEMBLING YOUR FURNITURE:

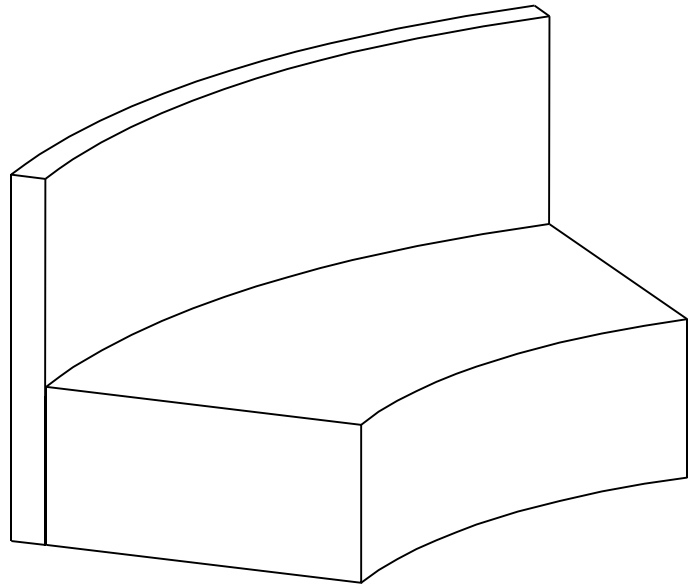
- CHECK THAT YOU HAVE ALL THE PIECES LISTED ON THE LEFT HAND SIDE.
- LAY A CLEAN SHEET ON A FLAT SURFACE BIG ENOUGH TO ASSEMBLE YOUR FURNITURE ON IN ORDER TO PROTECT YOUR FURNITURE.

A	1	
B	1	
C	8	
D	8	
E	8	
F	1	
G	1	



1.

Attach the chair back, (A) to the chair base (B) by lining them up (as shown in the diagram above) so the back and base bolt brackets are aligned. Put each of the eight bolts (C) through a washer (D), then through the 8 bolt brackets then secure with a nut (E) on the back. Fully tighten using the allen key (F) and the spanner (G).



2.

Your chair is now be complete. Repeat for the other two chairs.