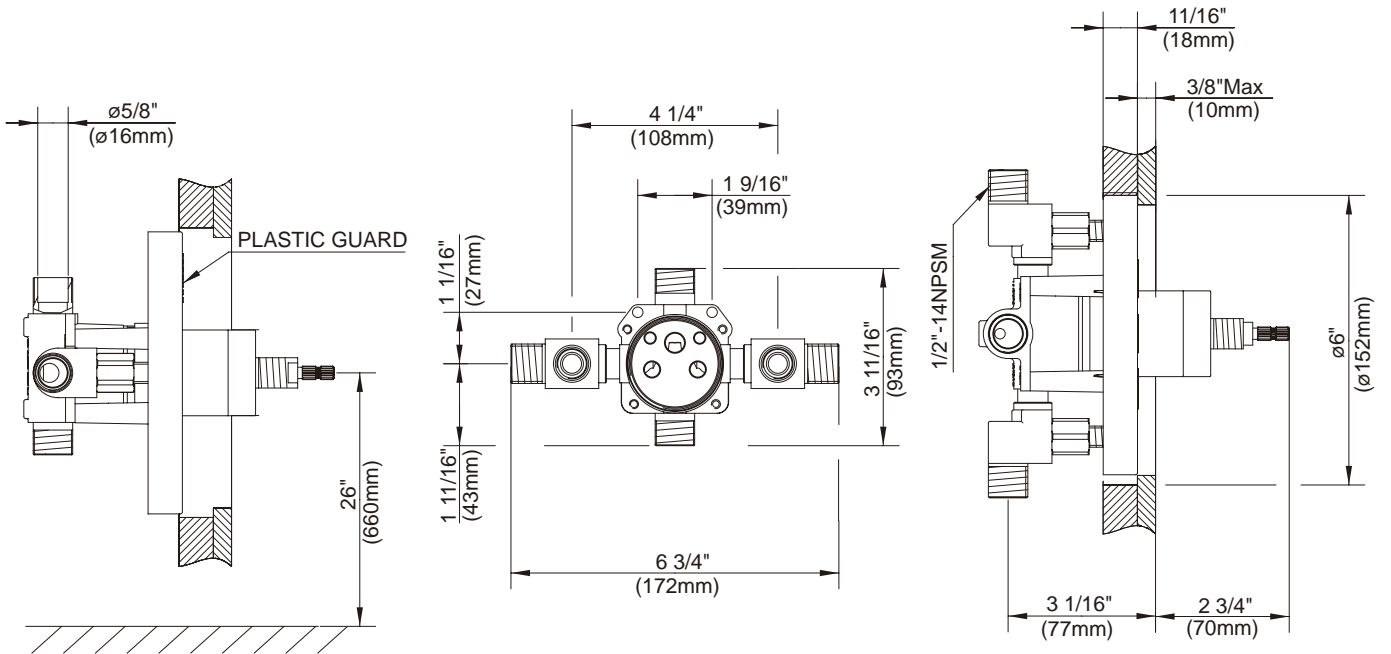




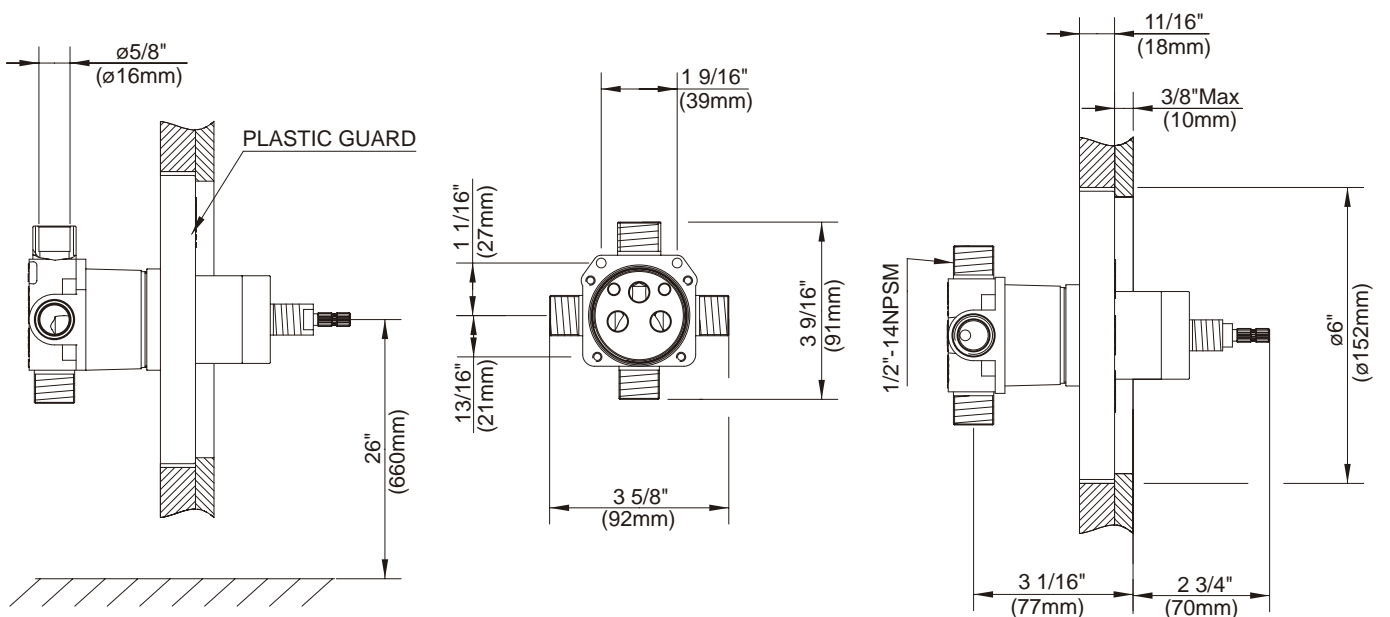
### SINGLE HANDLE PRESSURE BALANCE TUB & SHOWER VALVES

Critical Dimensions : Rough-in valve D112000BT (w/stops) & D115000BT (w/o stops)

#### W/SCREWDRIVER STOPS



#### W/DIVERTER & STOPS



Specific Features: \_\_\_\_\_ Submitted Model No.: \_\_\_\_\_

SD502057/04-07.02