



# Daven

## Installation Manual

Model: 50449 Matte Black  
Fan weight  $\pm 2$  lbs: 15.2 lbs (6.9 kg)



### 3D INTERActive GUIDE



**Step 1:** Scan QR code with smart phone or tablet

**Step 2:** Follow on screen instructions

**Step 3:** Register your product

*Hunter*



Our digital guided installation takes you seamlessly from unboxing to completion with clear instructions and visual aids. With the convenience of accessing the guide on your smartphone, tablet, or computer, you can take your installation experience wherever you go.

PG4241 r120825

# Congratulations on purchasing your new Hunter® ceiling fan!

The ceiling fan you purchased will provide comfort and performance in your home or office for many years. This instruction manual contains complete instructions for installing and operating your fan. We are proud of our work and appreciate the opportunity to supply you with the best ceiling fan available anywhere in the world. This Instruction Manual is designed to make installation as simple as possible. If you are unfamiliar or uncomfortable with wiring, contact a qualified electrician. We also provide telephone support at 1.888.830.1326 or visit us at HunterFan.com.

## REGISTER TODAY! FREE Limited Lifetime Warranty

To activate your free limited lifetime warranty, please scan the QR code and register your product. This will ensure you receive exceptional service and support for years to come.



SCAN ME

### ⚠️ WARNING



**READ and SAVE These Instructions**

### Warning

- w.1 - To reduce the risk of fire, electrical shock, or personal injury, mount fan directly from building structure and/or an outlet box marked acceptable for fan support of 70 lbs (31.8 kg) and use the mounting screws provided with the outlet box.
- w.2 - To avoid possible electrical shock, before installing or servicing your fan, disconnect the power by turning off the circuit breakers to the outlet box and associated wall switch location. If you cannot lock the circuit breakers in the off position, securely fasten a prominent warning device, such as a tag, to the service panel.
- w.3 - To reduce the risk of electric shock, this fan must be installed with an isolating wall control/switch.
- w.4 - To reduce the risk of personal injury, do not bend the blade brackets when installing the blade brackets, balancing the blades, or cleaning the fan. Do not insert foreign objects in between rotating fan blades.
- w.5 - Chemical burn hazard. Keep batteries away from children. This remote contains a lithium button cell battery. If a new or used lithium button/coin cell battery is swallowed or enters the body, it can cause severe internal burns and can lead to death in as little as 2 hours. Always completely secure the battery compartment. If the battery compartment does not close securely, stop using the product, remove the batteries, and keep it away from children. If you think batteries might have been swallowed or placed inside any part of the body, seek immediate medical attention. Dispose of cells properly and keep away from children. Even used cells may cause injury.
- w.6 - Non-rechargeable batteries are not to be recharged. Exhausted batteries are to be removed from the product.
- w.7 - This appliance can be used by children aged from 8 years and above and persons with reduced physical, sensory or mental capabilities or lack of experience and knowledge if they have been given supervision or instruction concerning use of the appliance in a safe way and understand the hazards involved. Children shall not play with the appliance. Cleaning and user maintenance shall not be made by children without supervision. It is recommended that children be supervised to ensure that they are not using the appliance improperly.
- w.8 - To reduce the risk of fire or electric shock or injury to persons, do not use replacement parts that have not been recommended by the manufacturer (e.g. parts made at home using a 3D printer).
- w.9 - Do not dispose of batteries in fire. Batteries may explode or leak.

### Caution

- c.1 - All wiring must be in accordance with national and local electrical codes ANSI/NFPA 70. If you are unfamiliar with wiring, use a qualified electrician.
- c.2 - Use only Hunter replacement parts.

This equipment has been tested and found to comply with the limits for a Class B digital device, pursuant to part 15 of the FCC Rules. These limits are designed to provide reasonable protection against harmful interference in a residential installation. This equipment generates, uses and can radiate radio frequency energy and if not installed and used in accordance with the instructions may cause harmful interference to radio communications.

However, there is no guarantee that interference will not occur in a particular installation. If this equipment does cause harmful interference to radio or television reception, which can be determined by turning the equipment off and on, the user is encouraged to try to correct the interference by one or more of the following measures:

- Reorient or relocate the receiving antenna.
- Increase the separation between the equipment and receiver.
- Connect the equipment into an outlet on a circuit different from that to which the receiver is connected.
- Consult the dealer or an experienced radio/TV technician for help.

Caution: modifications not approved by the party responsible for compliance could void user's authority to operate the equipment.

This device complies with Part 15 of the FCC Rules. Operation is subject to the following two conditions: (1) This device may not cause harmful interference, and (2) this device must accept any interference received, including interference that may cause undesired operation.

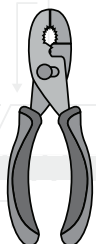


This product conforms to  
UL Standard 507.

## Here are the tools you'll need to complete your installation:



Ladder



Pliers



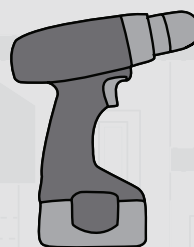
Screwdriver



Wire Strippers

### OPTIONAL

If mounting to a support structure, you will also need these tools.



Drill



9/64" Drill Bit

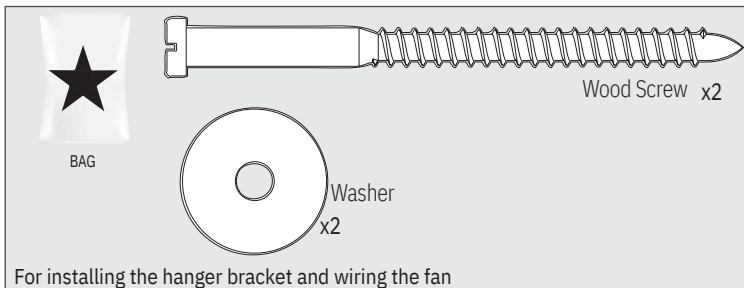
# Here is what comes in your box:

We recommend that you pull everything out of the box and lay it out. We have grouped the drawn components below with the hardware you'll need for those parts. The screws below are drawn to scale to make it easier to identify what piece of hardware is needed to install each component.

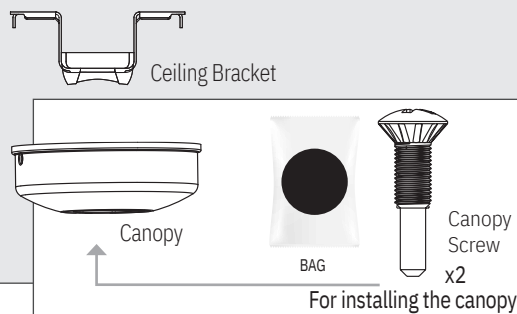
### Hunter Pro Tip:



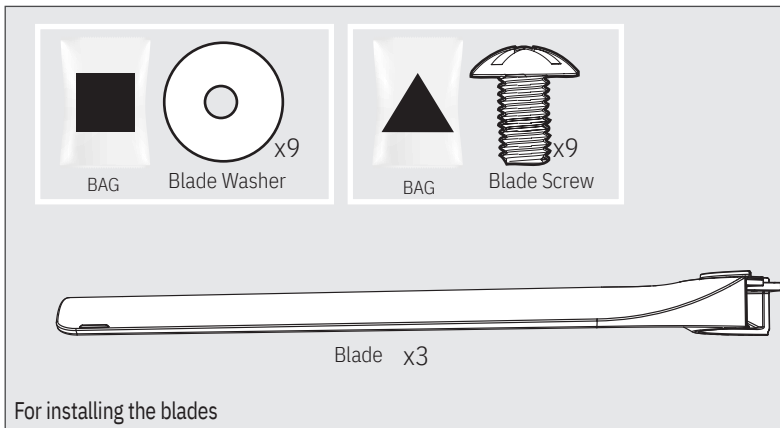
Do not discard the hardware bags or mix parts from different bags. Make note of the symbol printed on each hardware bag. The symbols can be used to identify the appropriate hardware for each step.



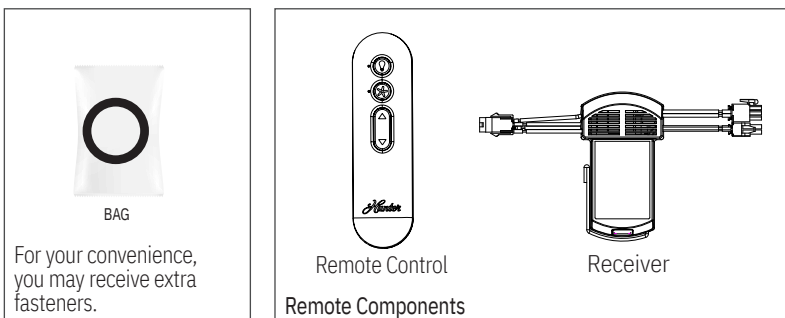
For installing the hanger bracket and wiring the fan



For installing the canopy



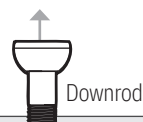
For installing the blades



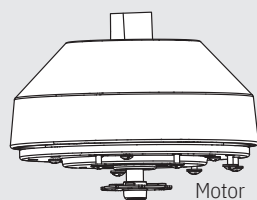
For your convenience, you may receive extra fasteners.

Remote Control  
Remote Components

Receiver



Downrod



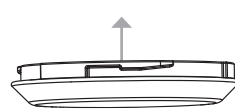
Motor



Upper Switch Housing



LED Module



Globe



For installing the light kit

### Note:

Fan style may vary.



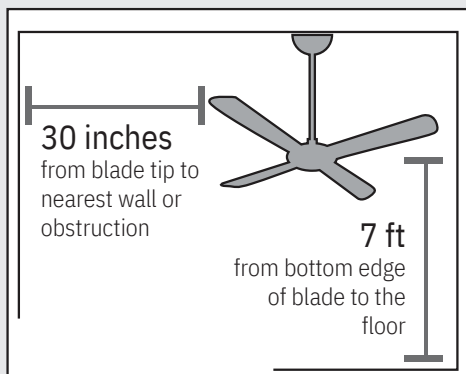
Find a part that is missing or damaged?

Don't take it back to the store. Let us make it right. Visit us at [HunterFan.com](http://HunterFan.com) or call us at 1.888.830.1326.

## Choosing the Right Installation Location

You probably bought this fan with a location in mind. Let's check below to make sure it is a good fit.

### Check the room dimensions:



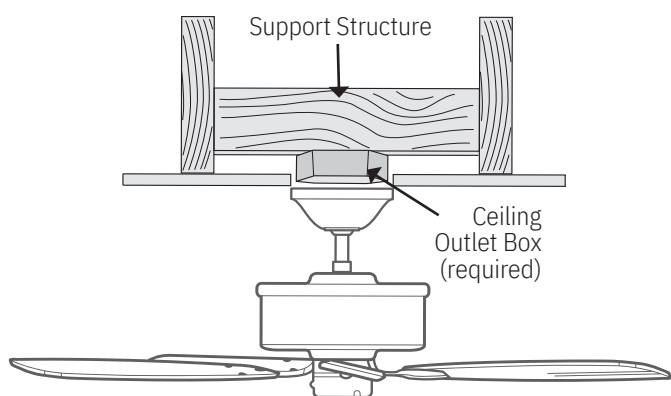
### Check the outlet box:



You must be able to secure the fan to building structure or fan-rated outlet box.

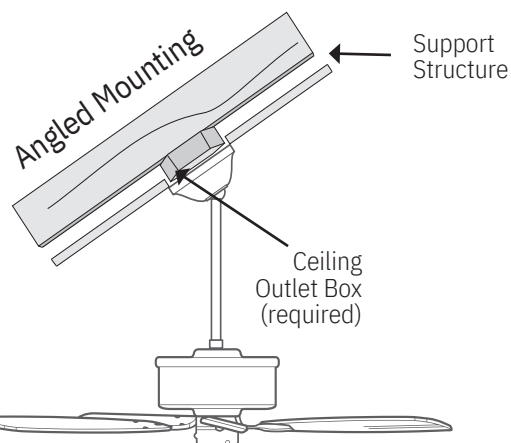
## Checking the Ceiling Angle:

### Standard Mounting



#### If you have a flat ceiling:

Hang your fan by a standard downrod. Some fans come with a shorter downrod for a Low Profile installation.



#### If you have an angled or vaulted ceiling:

1. You will need a longer downrod. (sold separately at [HunterFan.com](http://HunterFan.com))
2. If your ceiling angle is greater than 34°, you will also need an Angled Mounting Kit. (Sold separately at [HunterFan.com](http://HunterFan.com))

## Angled Mounting

### A little more information on Angled Mounting:

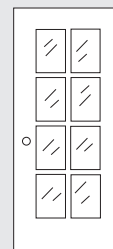
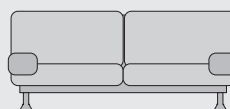
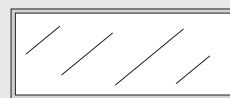
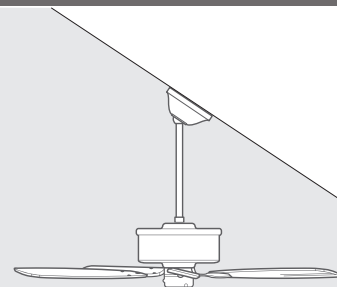
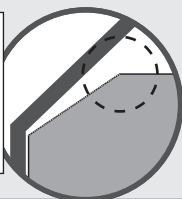
For optimum performance and appearance, a longer downrod should be used with your Hunter ceiling fan when installing on high or angled ceiling. If your ceiling is angled greater than 34° you will also need an Angled Mounting Kit. Longer downrods and the Angled Mounting Kit are sold separately at [HunterFan.com](http://HunterFan.com).

#### Hunter Pro Tip:

##### Determining if you need an Angled Mounting Kit:

Fold on the dotted line. Place against edge against the wall. Slide towards the ceiling.

If the guide touches the wall but not the ceiling, you need an angled mounting kit.



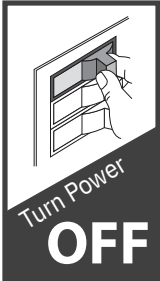
WALL

34°

CEILING

# Installing the Ceiling Bracket

Do this first!



You have **two options** for installation. Pick which one works best for your location. Remove any existing bracket prior to installation. **Only use the provided Hunter ceiling bracket that came in your fan's box.**

**Hunter Pro Tip:**

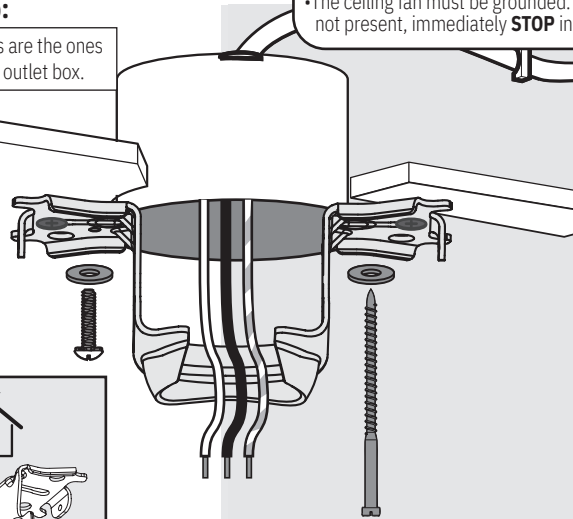
The machine screws are the ones that came with your outlet box.

**⚠ WARNING**

- To avoid possible electrical shock, before installing your fan, disconnect the power by turning off the circuit breakers to the outlet box associated with the wall switch location.
- All wiring must be in accordance with national and local electrical codes ANSI/NFPA 70. If you are unfamiliar with wiring or in doubt, consult a qualified electrician.
- The ceiling fan must be grounded. If the ground wire for the installation site is not present, immediately **STOP** installation and consult a qualified electrician.

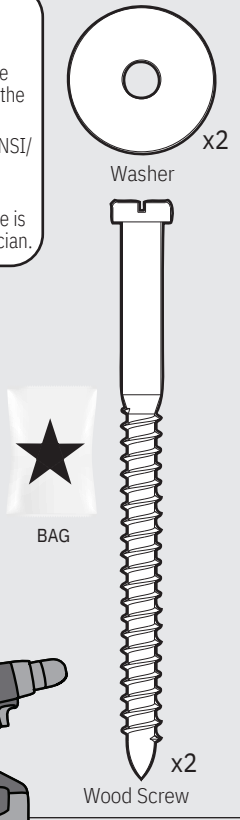
**Option 1: Machine Screws**

Use machine screws (provided with outlet box) and washers when securing to existing ceiling fan-rated outlet box. Make sure it is securely installed and is acceptable for fan support of 70 lbs.



**Option 2: Wood Screws**

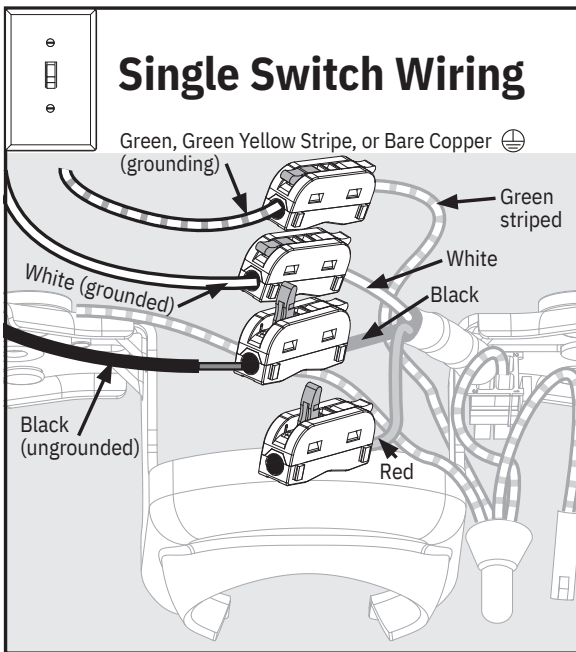
Use wood screws and washers (included) when securing to support structure with approved electrical outlet box. Drill 9/64 inch pilot holes in support structure to aid in securing ceiling bracket with hardware found in the ★ hardware bag.



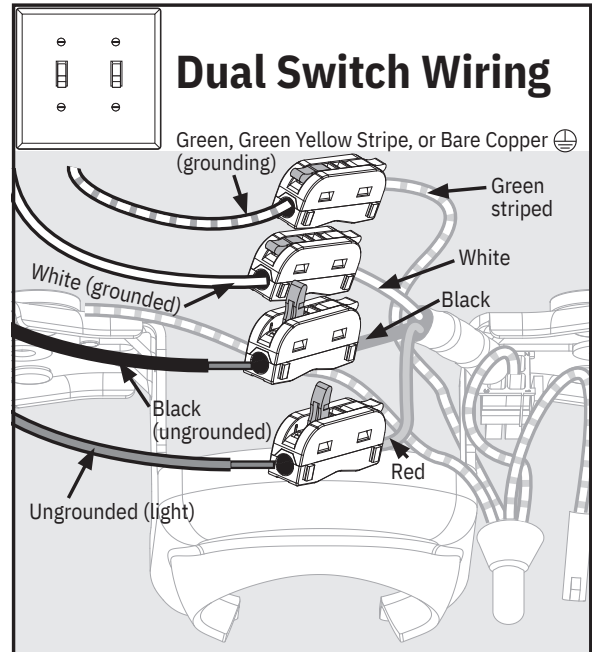
**ANGLED MOUNTING TIP**

For angled ceilings, point opening toward peak.

## Wiring the Bracket



**OR**



Connect wiring from ceiling to lever lock wiring (on side of canopy mount) by lifting lever and inserting wire. Lift lever on connector until fully upright to open. Insert stripped wire and secure by lowering lever. Make sure no bare or uninsulated wire is exposed.

**Hunter Pro Tip:**

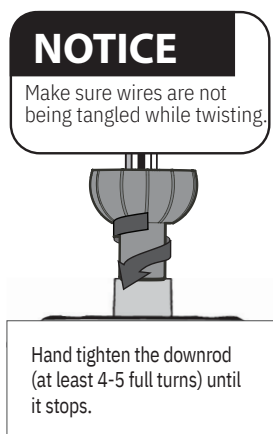
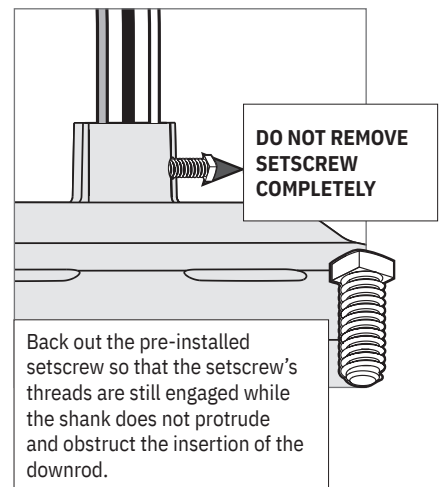
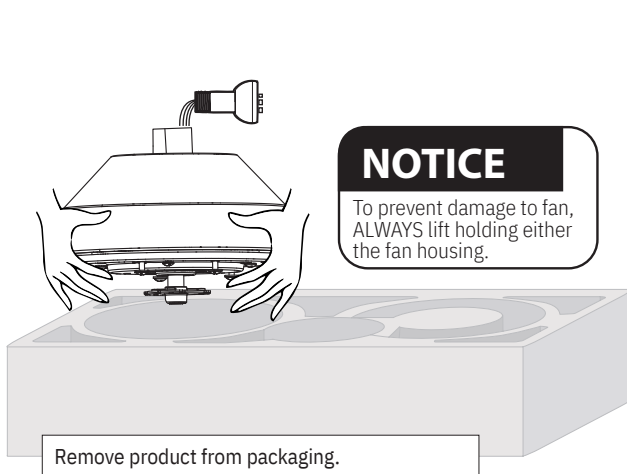
Turn the wires upward and push them carefully back through the hanger bracket into the outlet box. Spread the wires apart, with the grounded wires on one side of the outlet box and the ungrounded wires on the other side of the outlet box. Make sure that the wires are still attached to the connectors.

**NOTICE**

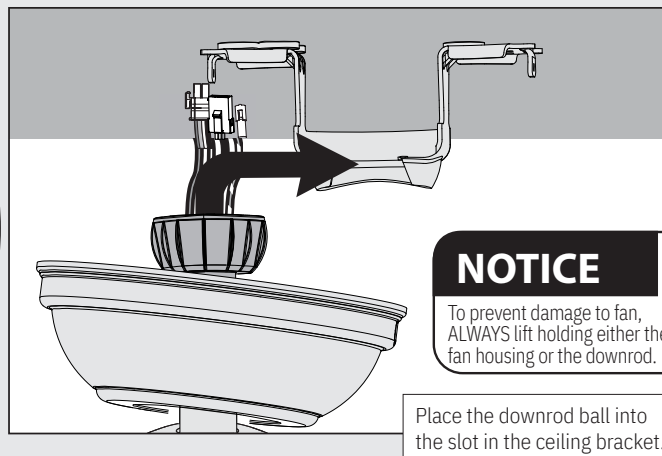
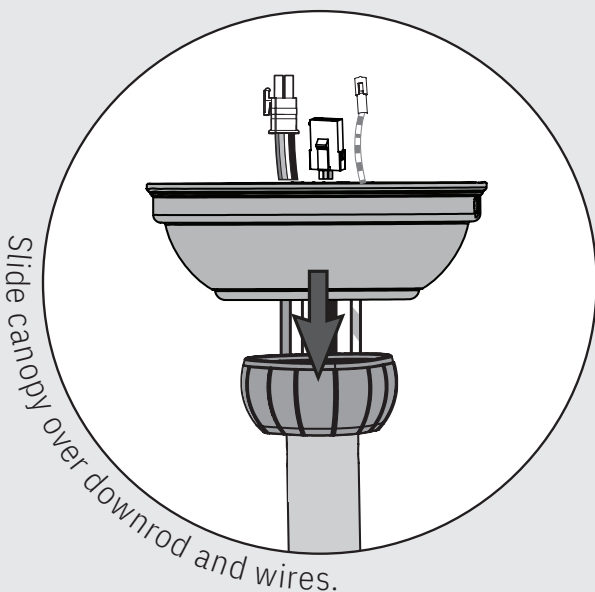
Twist wire strands prior to inserting into connector.

## Installing the Downrod

Follow below if you are using the downrod that came pre-assembled in your box. Need to install a longer or shorter downrod? Check out the guide at the end of this manual.



## Hanging the Fan



**Note:**

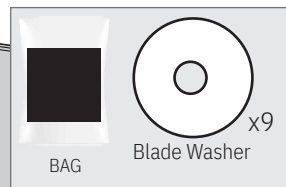
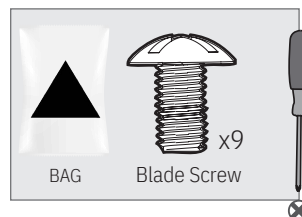
Fan style may vary.



## Installing the Blades:

Put the blade washers found in the ■ hardware bag onto the blade screws found in the ▲ hardware bag. Then install the blade screws to secure each blade to the fan.

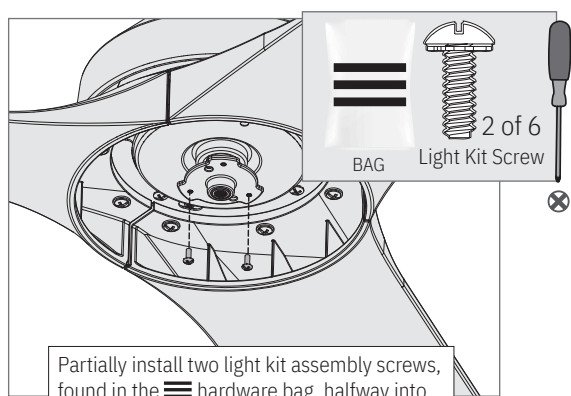
**Repeat x3**



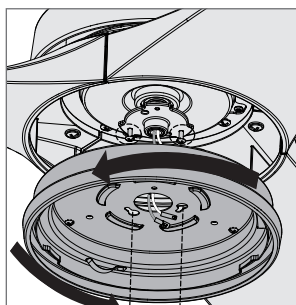
Note:

Fan style may vary.

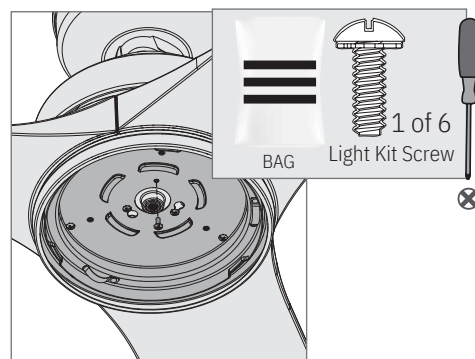
## Assembling the Light Kit



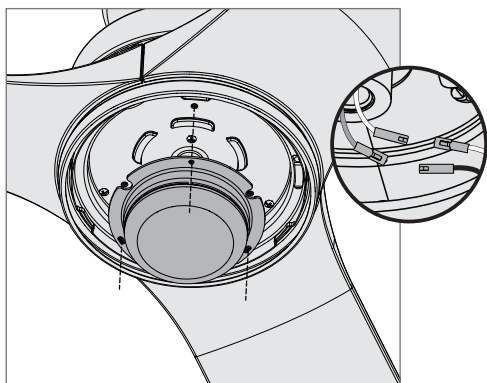
Partially install two light kit assembly screws, found in the ≡ hardware bag, halfway into the motor housing as shown. It does not matter which two screw holes you choose.



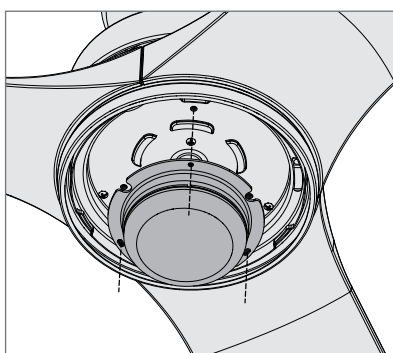
Feed the wire plugs through the center hole of the upper switch housing, then wrap keyhole slots around the screws and twist counterclockwise.



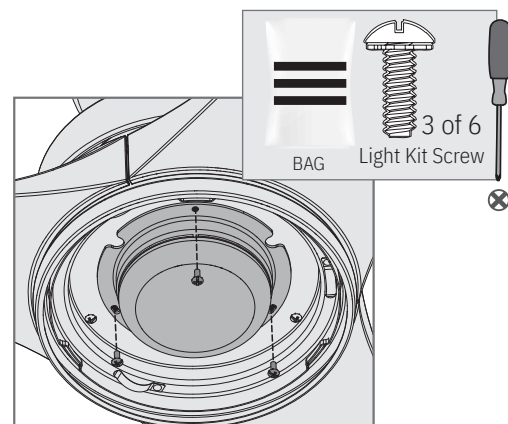
Insert the third screw, found in the ≡ hardware bag, into place and then tighten all three screws.



Connect the single-pin connectors from the light kit to the connectors from the fan. Connect the white wires together. Connect the blue and black wires together.



Align the holes of LED assembly with the holes of the upper switch housing. Make sure all the wires from the fan and the light kit are snug inside the center of the light kit, not pinched in between the upper switch housing and the light kit or hanging out of the sides.



Insert the light kit screws, found in the ≡ hardware bag. Tighten all three screws.

**⚠ WARNING**

**FAN FALL HAZARD**

Make sure all screws are tight to secure the light fixture.

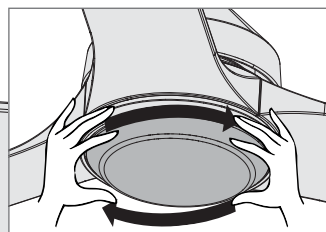
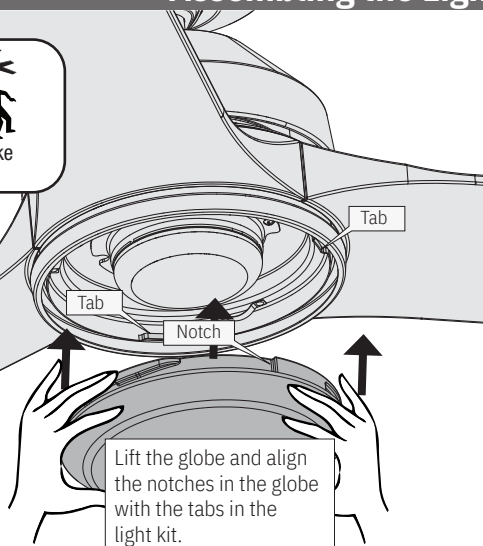


## Assembling the Light Kit

### WARNING

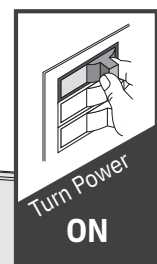
#### GLASS FALL HAZARD

To prevent **SERIOUS INJURY** or **DEATH**, make sure that glass is properly secured.



Attach the globe by lifting and turning clockwise one third of a full turn of the globe until it stops.

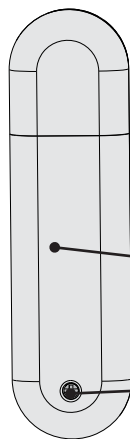
**NOTE: Check to ensure proper engagement.**



**NOTE:** On start up your ceiling fan will oscillate back and forth. This is **NORMAL OPERATION** for DC ceiling fan as it goes through its calibration cycle. The fan is **NOT DEFECTIVE**.

## Preparing the Remote Control

The remote control is already paired for use. For your convenience, a remote function card is packed in with your remote.



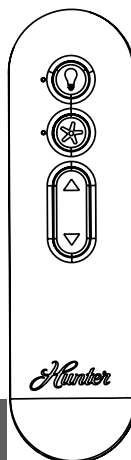
To close the battery compartment, secure the battery door to the transmitter assembly with the small Phillips head screw. Replace with a CR2032 battery when necessary. The battery should be installed with the positive (+) side up.

Battery Door

Phillips Head Screw

### Remote Function Guide

Key Press	Function
+ Quick Press	Light On/Off
+ Long Press	Light Dimming
+ Quick Press	Fan On/Off
+ Quick Press	Raise Fan Speed
+ Quick Press	Lower Fan Speed
+ Long Press	Fan Reverse
Long Press  +	Fan Updraft
Long Press  +	Fan Downdraft
Long Press  +	Dimming Mode On/Off



### NOTICE

- Always purchase the correct size and grade of battery most suitable for the intended use.
- Clean the battery contacts and also those of the device prior to battery installation.
- Remove and immediately recycle or dispose of used batteries according to local regulations and keep away from children. Do NOT dispose of batteries in household trash or incinerate.
- Even used batteries may cause severe injury or death.
- Call a local poison control center for treatment information.
- Compatible battery type is CR2032, 3V
- Ensure the batteries are installed correctly with regard to polarity (+ and -).
- Do not mix old and new batteries, different brands or types of batteries, such as alkaline, carbon-zinc, or rechargeable batteries
- Non-rechargeable batteries are not to be recharged. Exhausted batteries are to be removed from the product.
- Do not force discharge, recharge, disassemble, heat above (-20~ +60°C) or incinerate. Doing so may result in injury due to venting, leakage or explosion resulting in chemical burns.
- Remove and immediately recycle or dispose of batteries from equipment not used for an extended period of time according to local regulations.
- Always completely secure the battery compartment. If the battery compartment does not close securely, stop using the product, remove the batteries, and keep them away from children.



**WARNING INGESTION HAZARD:** This product contains a button cell or coin battery.

### WARNING

- **INGESTION HAZARD:** This product contains a button cell or coin battery.
- **DEATH** or serious injury can occur if ingested.
- A swallowed button cell or coin battery can cause **Internal Chemical Burns** in as little as **2 hours**.
- **KEEP** new and used batteries **OUT OF REACH** of **CHILDREN**
- **Seek immediate medical attention** if a battery is suspected to be swallowed or inserted inside any part of the body.



# Setting up HUNTERSmart WiFi



HUNTERSmart connects to available 2.4 GHZ WiFi networks.

1

Download the app:

To download the app, scan your preferred device here or search "HunterSmart" in your app store.



2

Launch the app.

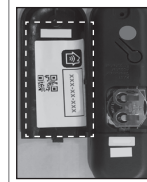


3

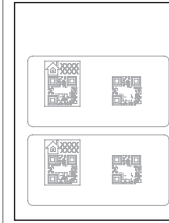
Follow the onscreen prompts to set up your fan.

Use of the HomeKit logo means that an electronic accessory has been designed to connect specifically to iPod, iPhone, or iPad, respectively, and has been certified by the developer to meet Apple performance standards. Apple is not responsible for the operation of this device or its compliance with safety and regulatory standards. Please note that the use of this accessory with iPod, iPhone, or iPad may affect wireless performance.

Compatible with iOS 16.2 or higher / Android 12.0 or higher  
Android and Google Play are trademarks of Google Inc.  
Apple logo is a trademark of Apple, Inc.  
App store is a service mark of Apple, Inc.



**Note:** The HomeKit setup code is located on the inside of the remote cover. (remote style may vary). Extra HomeKit setup code labels are provided as shown below. It is recommended to place one of the labels on top of the fan housing as well as one on top of the manual for future use.

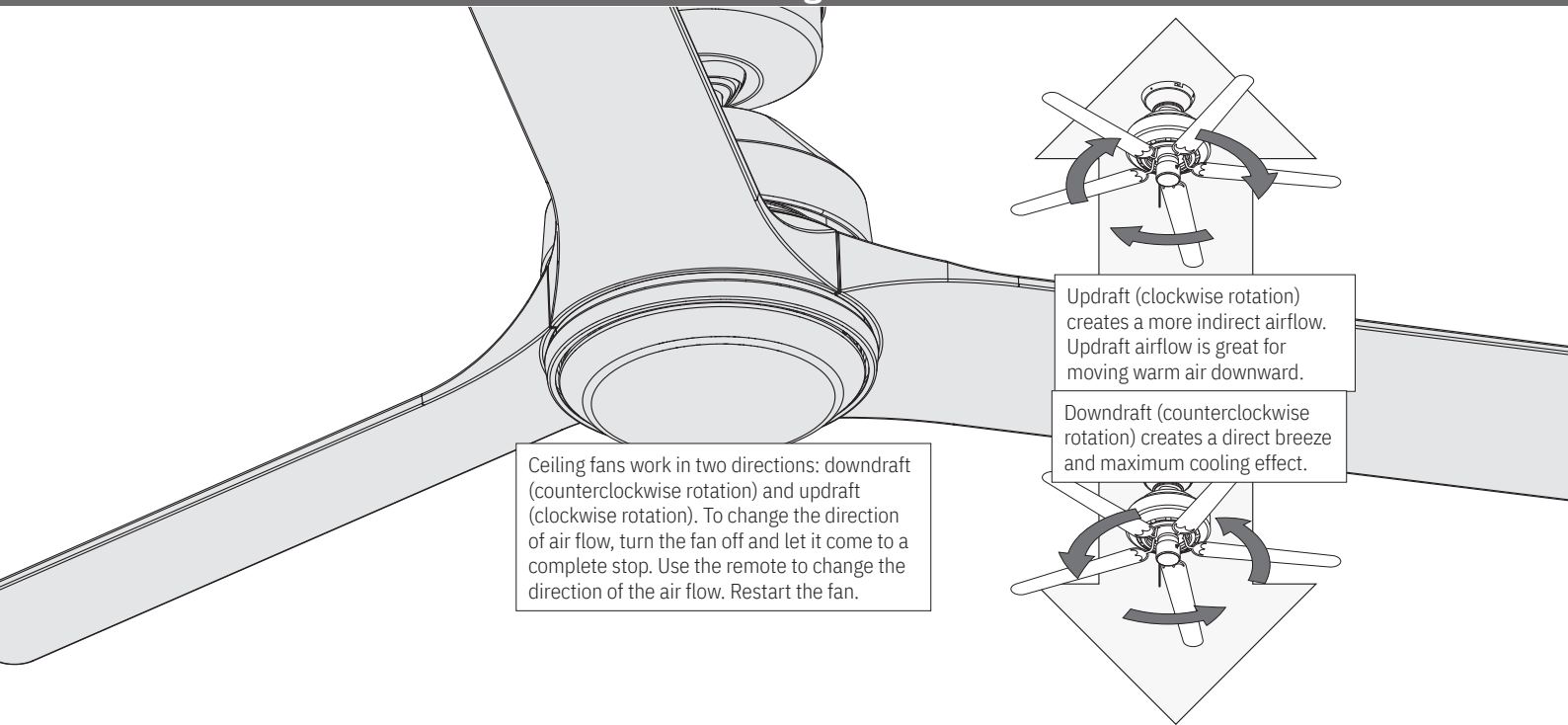


## Hunter Pro Tip:

### Need to install the app later?

When ready, turn the wall switch off and then on. Wait three minutes before downloading the app.

## Reversing the Fan



## Limited Lifetime Warranty

Hunter Fan Company grants this limited warranty to the original purchaser of this Hunter ceiling fan. This document can be found at [www.HunterFan.com](http://www.HunterFan.com). Thank you for choosing Hunter!

### How Can Warranty Service Be Obtained?

**Proof of purchase is required** when requesting warranty service. The original purchaser must present a sales receipt or other document that establishes proof of purchase. Hunter, at its sole discretion, may accept a gift receipt. To obtain service, contact Hunter Fan Company online or by phone.

[www.HunterFan.com/Support/Contact-Us/](http://www.HunterFan.com/Support/Contact-Us/)  
1-888-830-1326

Please do not ship your fan or any fan parts to Hunter. Delivery will be refused.

### What Does This Warranty Cover?

#### Motor – Limited Lifetime Warranty

If any part of your ceiling fan motor fails during your ownership of the fan due to a defect  
If your LED light kit module (not including glass components) or LED bulb fails at any time within three years of the date of purchase due to a defect

#### • ENERGY STAR® Rated Light Kits – Three-Year Limited Warranty

If your ENERGY STAR rated light kit (not including glass components) fails at any time within three years of the date of purchase due to a defect in material or workmanship, as determined solely by Hunter, Hunter will provide a replacement light kit free of charge.\*

\* If no replacement product/part can be provided for your fan, we will provide a comparable or superior replacement product/part at the sole discretion of Hunter.

### What Does This Warranty NOT Cover?

**Labor Excluded.** This warranty does not cover any costs or fees associated with the labor (including electrician's fees) required to install, remove, or replace a fan or any fan parts. There is no warranty for light bulbs (except where otherwise noted); remote control batteries; fans purchased or installed outside the United States; fans owned by someone other than the original purchaser; fans for which proof of purchase has not been established; fans purchased from an unauthorized dealer; ordinary wear and tear; minor cosmetic blemishes; refurbished fans; and fans that are damaged due to any of the following: improper installation, misuse, abuse, improper care, failure to follow

This warranty gives you specific legal rights. You may also have other rights which

in material or workmanship, as determined solely by Hunter, Hunter will provide you with a replacement fan free of charge.\* The foregoing limited warranty applies only to the motor itself and does not apply to electronic controls – such as remote control transmitters, remote control receivers, or capacitors – used in conjunction with the motor. Such electronic control items are included in the one-year limited warranty below.

#### Other – One-Year Limited Warranty

Except as otherwise indicated throughout this warranty, if any part of your Hunter ceiling fan fails at any time within one year of the date of purchase due to a defect in material or workmanship, as determined solely by Hunter, Hunter will provide a replacement part free of charge.\*

#### Light Kits – Warranty May Vary

Light kits are included in the one-year limited warranty. However, you may qualify for additional warranty coverage if your fan includes one of the following:

#### • LED Light Kits – Three-Year Limited Warranty

in material or workmanship, as determined solely by Hunter, Hunter will provide a replacement part free of charge.\*

Hunter instructions, accidental damage caused by the fan owner or related parties, modifications to the fan, improper or incorrectly performed maintenance or repair, improper voltage supply or power surge, use of improper parts or accessories, failure to provide maintenance to the fan, or acts of God (e.g. flood).

**ORIGINAL PURCHASER'S SOLE AND EXCLUSIVE REMEDY FOR A CLAIM OF ANY KIND WITH RESPECT TO THIS PRODUCT SHALL BE THE REMEDIES SET FORTH HEREIN. HUNTER FAN COMPANY IS NOT RESPONSIBLE FOR CONSEQUENTIAL OR INCIDENTAL DAMAGES, DUE TO PRODUCT FAILURE, WHETHER ARISING OUT OF BREACH OF WARRANTY, BREACH OF CONTRACT, OR OTHERWISE.** Some States do not allow the exclusion or limitation of incidental or consequential damages, so the above limitation or exclusion may not apply to you. ANY IMPLIED WARRANTIES OF MERCHANTABILITY OR FITNESS FOR A PARTICULAR PURPOSE APPLICABLE TO THIS PRODUCT ARE LIMITED IN DURATION TO THE PERIOD OF COVERAGE OF THE APPLICABLE LIMITED WARRANTIES SET FORTH ABOVE. Some States do not allow limitations on how long an implied warranty lasts, so the above limitation may not apply to you.

### How Does State Law Affect Warranty Coverage?

vary from state to state.

# Troubleshooting

## Fan Doesn't Work

- Make sure power switch is on.
- Check the circuit breaker to ensure the power is turned on.
- Make sure the blades spin freely.
- Turn off power from the circuit breaker, then loosen the canopy and check all the connections according to the wiring diagram.

## Excessive Wobbling

- Make sure the blades are properly installed on the blade iron posts.
- Turn the power off, support the fan carefully, and check that the hanger ball is properly seated.

## Remote Control of Fan is Erratic

- Make sure the battery is installed correctly.
- Install a fresh battery.

## Remote Only Works Close to Fan

- Change battery.

## Noisy Operation

- Make sure the blades are properly installed.
- Check to see if any of the blades are cracked. If so, replace all of the blades.

## Multiple Remote Issues

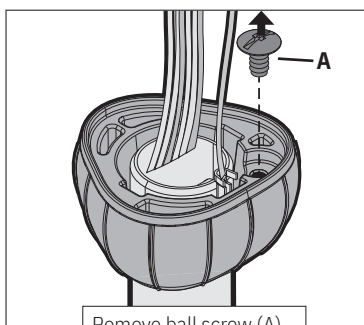
- If you have multiple remotes or multiple remote-controlled fans installed on the same circuit breaker and you are experiencing interference or faulty operation of your remote controls, please go to [www.HunterFan.com/FAQs](http://www.HunterFan.com/FAQs) and click "How do I properly install multiple remote-controlled fans?" for information on how to correct this issue.

## Hunter Pro Tip:

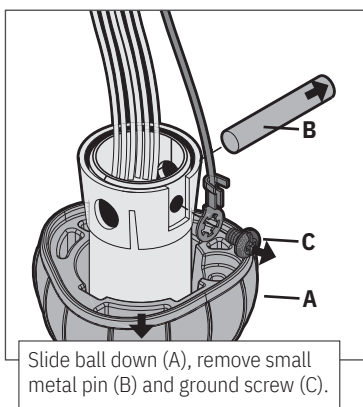
**Cleaning the Fan**  
Use soft brushes or cloths to prevent scratching. Cleaning products may damage the finishes.

## Downrod

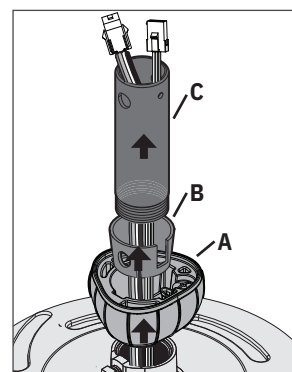
If you need a different downrod length follow these steps:



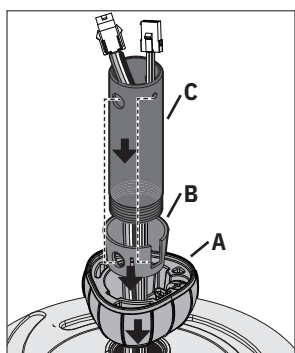
Remove ball screw (A).



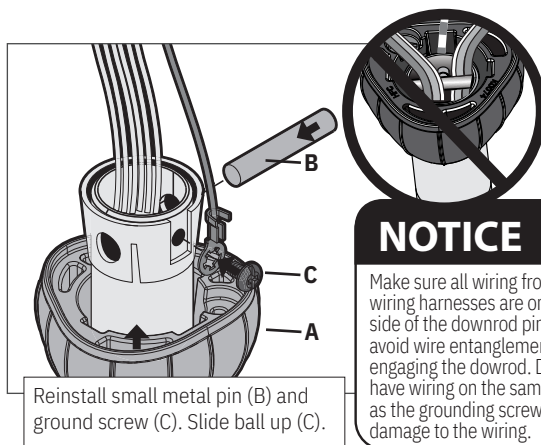
Slide ball down (A), remove small metal pin (B) and ground screw (C).



Remove ball (A), inner sleeve (B) and downrod (C) from fan body and wiring harnesses.



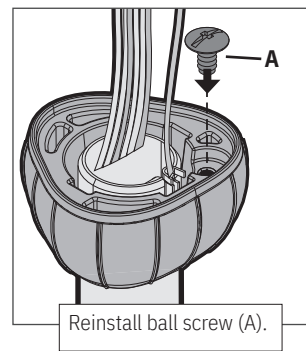
Route wiring harnesses from the fan through the accessory downrod (C). Slide inner sleeve (B) and ball (A) over downrod. Make sure to align the holes for the sleeve (B) and downrod (C).



Reinstall small metal pin (B) and ground screw (C). Slide ball up (C).

## NOTICE

Make sure all wiring from the wiring harnesses are on one side of the downrod pin to avoid wire entanglement when engaging the dowrod. Do not have wiring on the same side as the grounding screw to avoid damage to the wiring.



Reinstall ball screw (A).

For ceilings over 10 feet, purchase a DC wire extension kit and downrod online.

## WARNING

### FAN FALL HAZARD

To prevent SERIOUS INJURY or DEATH:

- ALWAYS follow the downrod assembly instructions exactly.
- VERIFY the downrod is assembled correctly by firmly pulling on the hanger ball.
- Pin must be reinserted to secure downrod assembly.

