

ETM
D

ELLEN DEGENERES

crafted by
Green touch[®] Home

BATH.EDBYELLEN.COM

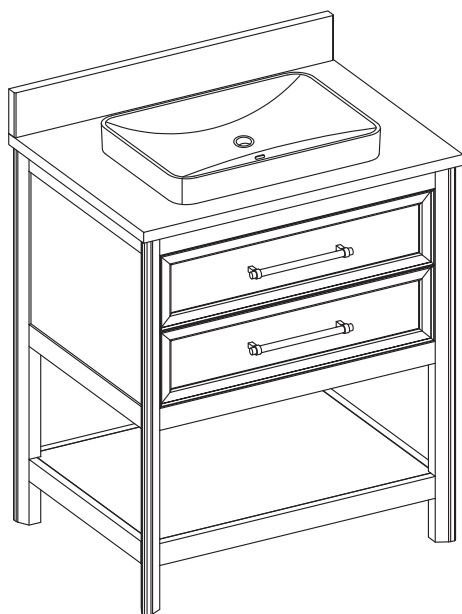
INTRODUCTION WELCOME

ED is Ellen DeGeneres' iconic style, values and personality shared through collections of beautifully designed, high-quality products for home, pets and people. All ED merchandise design and materials are approved by Ellen, ensuring it maintains her standards and upholds her promise to make each item feel like a personal connection between herself and consumers around the world.

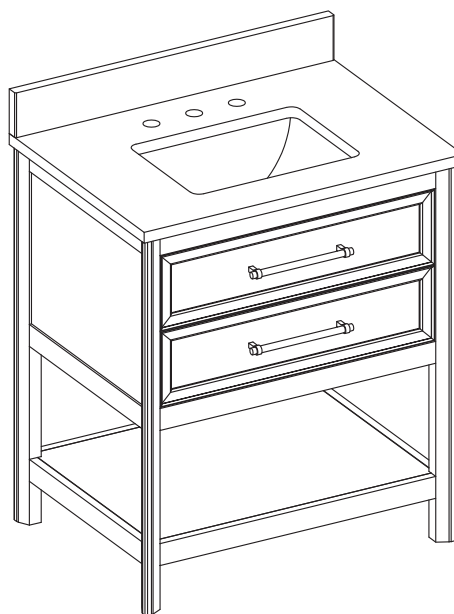
30-IN VANITY WITH TOP

MODEL #1480VA-30-201-900-SR; 1480VA-30-201-900-UM;
 1480VA-30-201-906-SR; 1480VA-30-201-906-UM;
 1480VA-30-201-926-SR; 1480VA-30-201-926-UM;
 1480VA-30-283-900-SR; 1480VA-30-283-900-UM;
 1480VA-30-283-906-SR; 1480VA-30-283-906-UM;
 1480VA-30-283-926-SR; 1480VA-30-283-926-UM

**OPTION 1
(Semi-Recessed Sink)**



**OPTION 2
(Undermount Sink)**



OR

MODEL NUMBER	DESCRIPTION
1480VA-30-201-900-SR	ED 30-IN RIVEN WHITE VANITY W/ SEMI-RECESSED CARRARA MARBLE TOP
1480VA-30-201-900-UM	ED 30-IN RIVEN WHITE VANITY W/ CARRARA MARBLE TOP
1480VA-30-201-906-SR	ED 30-IN RIVEN WHITE VANITY W/ SEMI-RECESSED ENGINEERED GRAY TOP
1480VA-30-201-906-UM	ED 30-IN RIVEN WHITE VANITY W/ ENGINEERED GRAY TOP
1480VA-30-201-926-SR	ED 30-IN RIVEN WHITE VANITY W/ SEMI-RECESSED ENGINEERED CALACATTA TOP
1480VA-30-201-926-UM	ED 30-IN RIVEN WHITE VANITY W/ ENGINEERED CALACATTA TOP
1480VA-30-283-900-SR	ED 30-IN RIVEN COASTAL OAK VANITY W/ SEMI-RECESSED CARRARA MARBLE TOP
1480VA-30-283-900-UM	ED 30-IN RIVEN COASTAL OAK VANITY W/ CARRARA MARBLE TOP
1480VA-30-283-906-SR	ED 30-IN RIVEN COASTAL OAK VANITY W/ SEMI-RECESSED ENGINEERED GRAY TOP
1480VA-30-283-906-UM	ED 30-IN RIVEN COASTAL OAK VANITY W/ ENGINEERED GRAY TOP
1480VA-30-283-926-SR	ED 30-IN RIVEN COASTAL OAK VANITY W/ SEMI-RECESSED ENGINEERED CALACATTA TOP
1480VA-30-283-926-UM	ED 30-IN RIVEN COASTAL OAK VANITY W/ ENGINEERED CALACATTA TOP

ATTACH YOUR RECEIPT HERE

Serial Number _____ Purchase Date _____

Questions, problems, missing parts? Before returning to your retailer, call our customer service department at 1-855-571-1044, 9 a.m. - 5 p.m., EST, Monday - Friday.

TABLE OF CONTENTS FOR OPTION 1 (Semi-Recessed Sink)

Package Contents.....5

Hardware Contents.....5

Safety Instructions.....5

Preparation6

Assembly or Installation Instructions6

Care and Maintenance12

Warranty12

Replacement Parts List13

TABLE OF CONTENTS FOR OPTION 2 (Undermount Sink)

Package Contents.....15

Hardware Contents.....15

Safety Instructions.....15

Preparation16

Assembly or Installation Instructions16

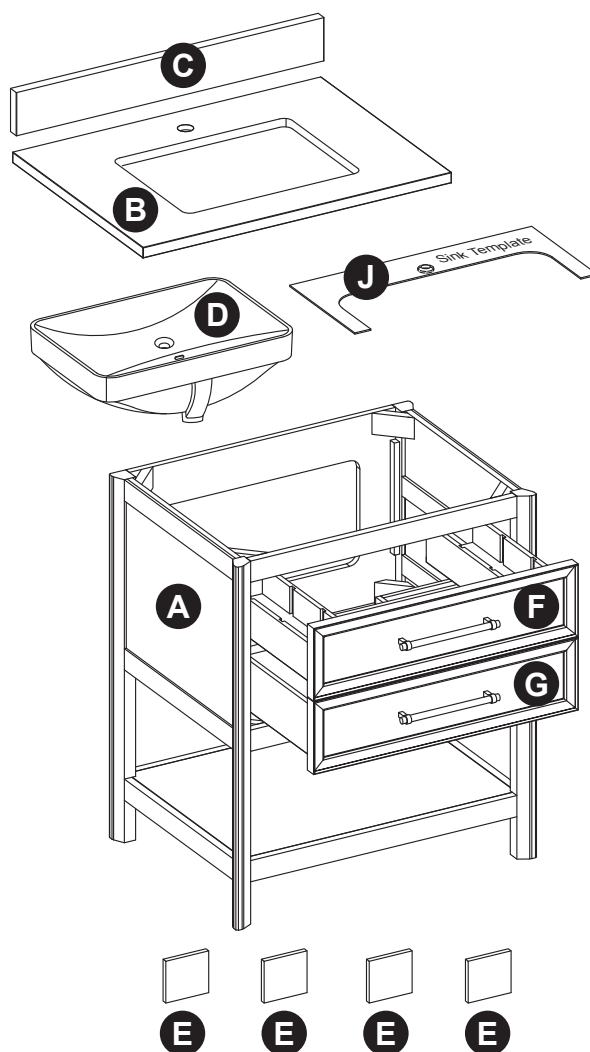
Care and Maintenance22

Warranty22

Replacement Parts List23

PACKAGE CONTENTS (Semi-Recessed Sink)

PART	DESCRIPTION	QUANTITY	CARTON
A	Vanity	1	Box 2 of 3
B	Top	1	Box 1 of 3
C	Backsplash	1	
D	Sink	1	Box 3 of 3
E	Drawer Divider	4	Box 2 of 3
F	Upper Drawer (preassembled to Vanity (A))	1	
G	Lower Drawer (preassembled to Vanity (A))	1	
J	Sink Template	1	Box 1 of 3



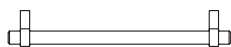
HARDWARE CONTENTS (NOT SHOWN ACTUAL SIZE)

AA



Touch Up Pen
Qty. 1

BB



Handle (2 Options)
Brushed Nickel (Qty. 2)
Champagne Brass (Qty. 2)

SAFETY INSTRUCTIONS

Please read and understand this entire manual before attempting to assemble, operate or install the product.

WARNING

- There are several assembly steps, including unpacking, that require two adults.

CAUTION

- Follow these instructions closely, take your time, and use care while assembling this vanity.

KEEP THESE INSTRUCTIONS FOR FUTURE REFERENCE.

PREPARATION

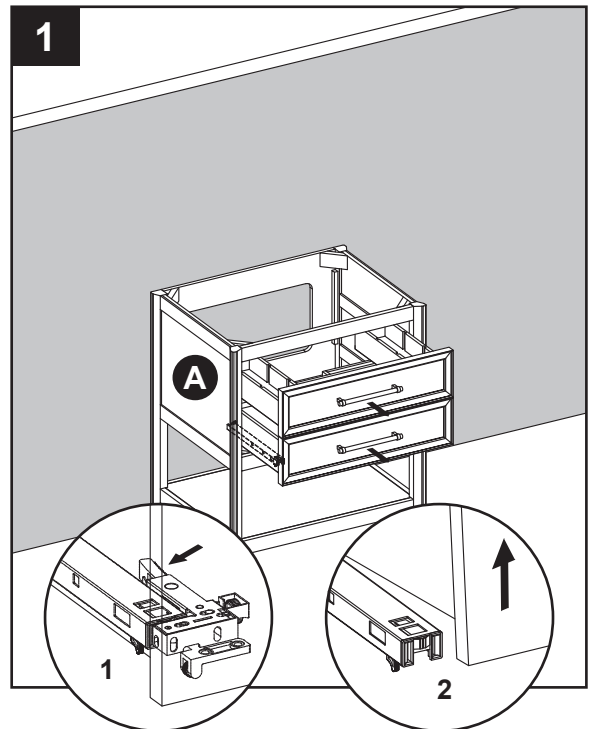
Before beginning assembly of product, make sure all parts are present. Compare parts with package contents list and hardware contents list. If any part is missing or damaged, do not attempt to assemble the product.

Estimated Installation Time: 40 minutes (24 hours for silicone caulk to dry).

Tools Required for Installation (not included): Phillips screwdriver, utility knife or scissors, silicone caulk, power drill with drill bit, measuring tape, level

INSTALLATION INSTRUCTIONS (Semi-Recessed Sink)

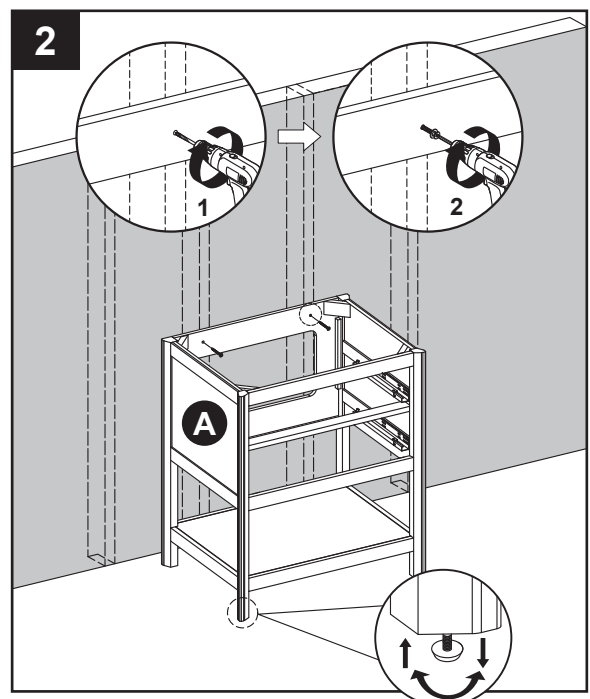
1. As shown in the diagram, fully extend the drawer and locate the plastic levers on the metal glide tracks. Push the left-side and right-side levers at the same time to disengage the drawer from the drawer glides. Gently lift the drawer up to remove it from vanity (A).



Note: Clean area where the vanity (A) will be permanently located prior to beginning installation, ensuring the vanity (A) will not interfere with any water supply and drain lines once mounted.

2. With two people, carefully place vanity (A) against the wall in its final location. While holding the vanity base firmly against the wall, use the pre-assembled levelers on the bottom of each leg of the vanity (A) to level the item. Twisting the levelers counterclockwise will raise the height of the vanity (A), and twisting them clockwise will lower the vanity.

Once the vanity is in place, against the wall, and level from front to back and side to side, drill a hole through the vanity mounting area and into the wall studs (as illustrated in diagram 2). Using appropriate mounting hardware (not included), secure the vanity (A) to a wall stud. If possible, secure the vanity (A) to two wall studs for increased stability.

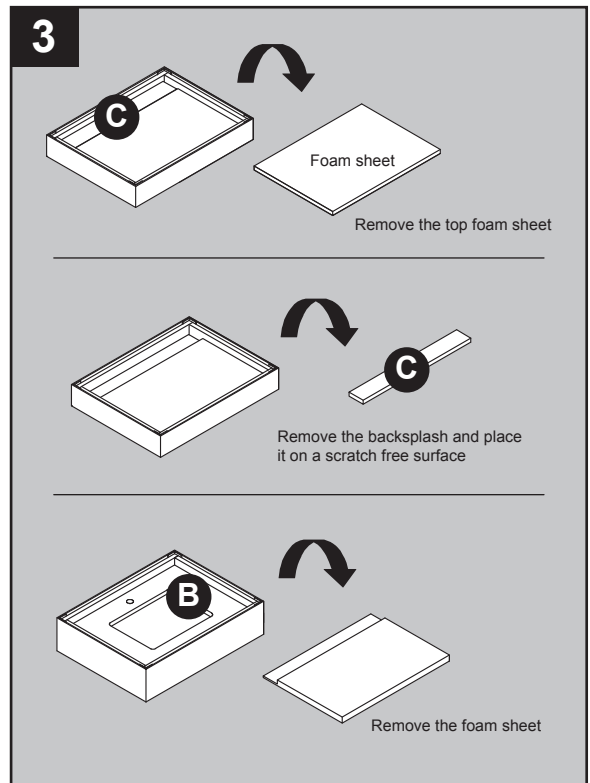


WARNING

Vanity (A) **MUST** be secured to wall.

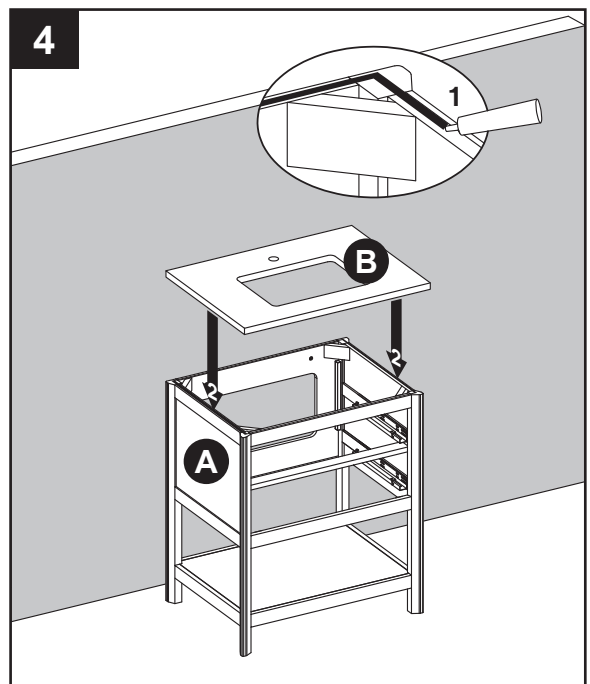
INSTALLATION INSTRUCTIONS (Semi-Recessed Sink)

3. Take out the top (B) and backsplash (C) according to the steps indicated by the drawings on the right, and place them face up onto a scratch free surface such as a foam sheet that came in the packaging.



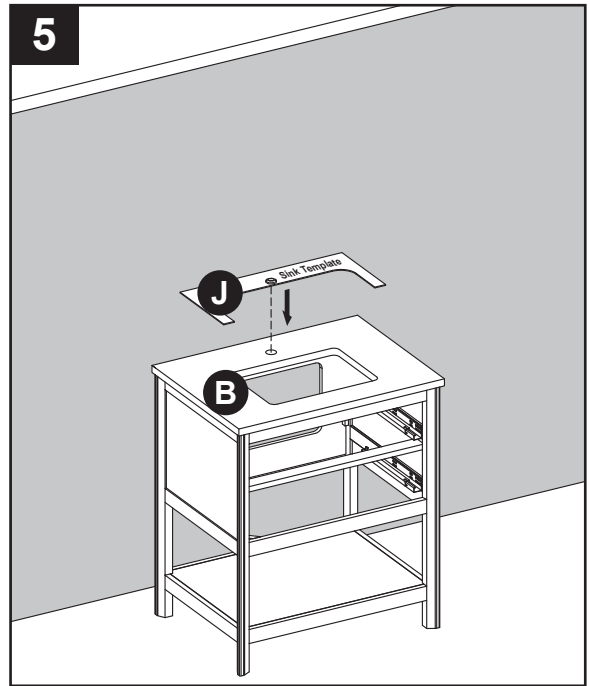
Note: At this stage it may be easier to install the faucet and drain kit (not included) to top (B) per the manufacturer's instructions, before moving on to Step 4.

4. Apply stain free silicone caulk (not included) to the top edge of vanity (A). With the help of another adult, gently lower top (B) onto the vanity (A). Wipe away any excess caulk with a soft cloth, and wait approximately 24 hours for it to dry.

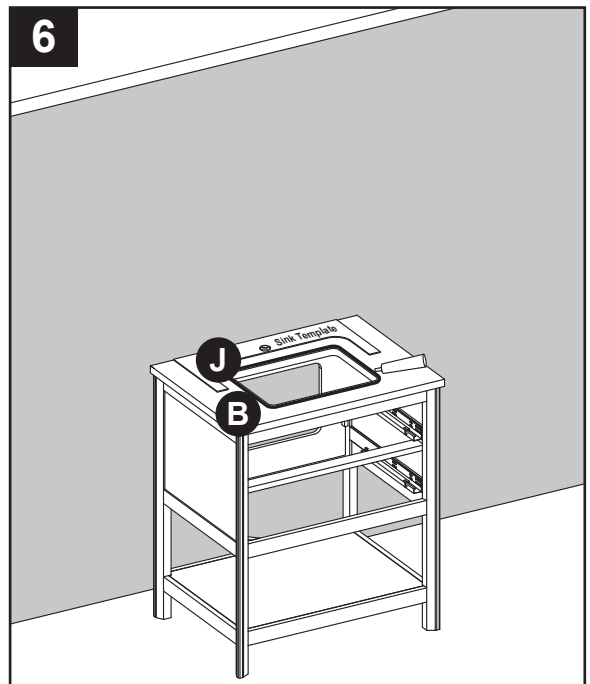


INSTALLATION INSTRUCTIONS (Semi-Recessed Sink)

- Put the sink template (J) on the top (B).
The hole in the cardboard needs to be aligned with the hole in the stone top.
Make sure the sink template and stone top are flush along the back edge.



- Apply a thin bead of silicone caulk (not included) onto the stone top close to the edge of the sink cut out as pictured.

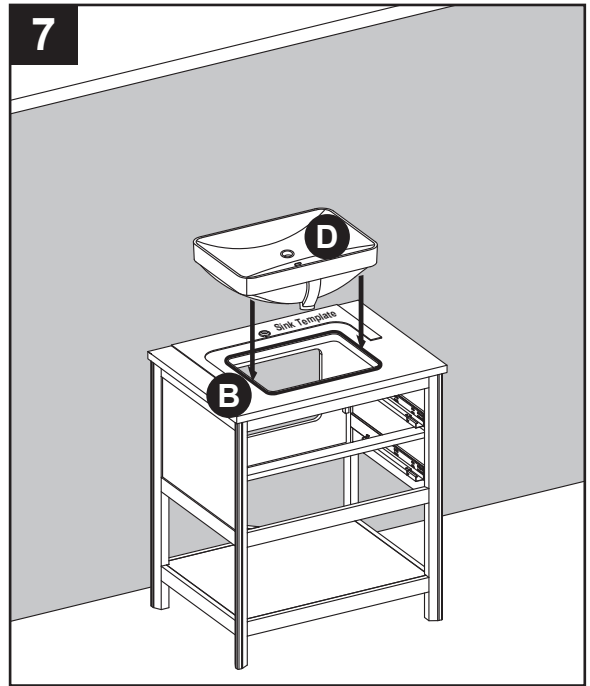


INSTALLATION INSTRUCTIONS (Semi-Recessed Sink)

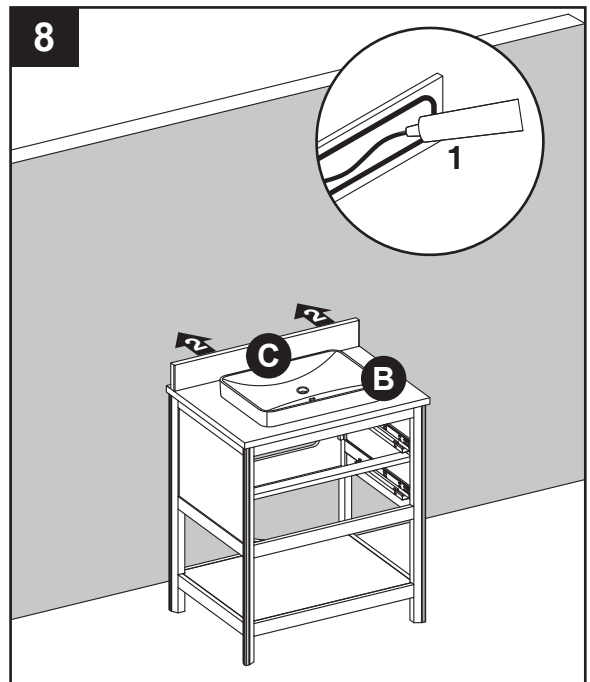
7. With the help of another adult, Gently lower the sink onto the stone top using even pressure to set the sink properly.

Make sure the sink over-flow hole is at the front of wood cabinet.

If some silicone caulk has over-flowed please clean it up at that time with water.



8. Apply silicone caulk (not included) to unpolished side and bottom of backsplash (C). Position backsplash (C) on top (B) and against wall. Clean any excess caulk before allowing to dry.



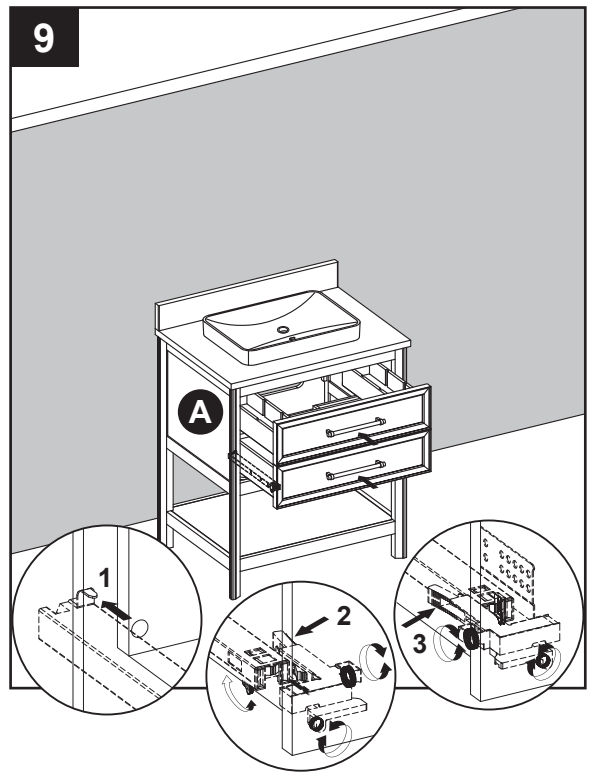
INSTALLATION INSTRUCTIONS (Semi-Recessed Sink)

9. To reinstall drawer(s) into vanity (A), fully extend metal glide tracks. Gently lower and slide drawer box into rear glide catch. Next, lower drawer box down to completely rest on extended glides. Then, push plastic levers to lock the drawer box in place.

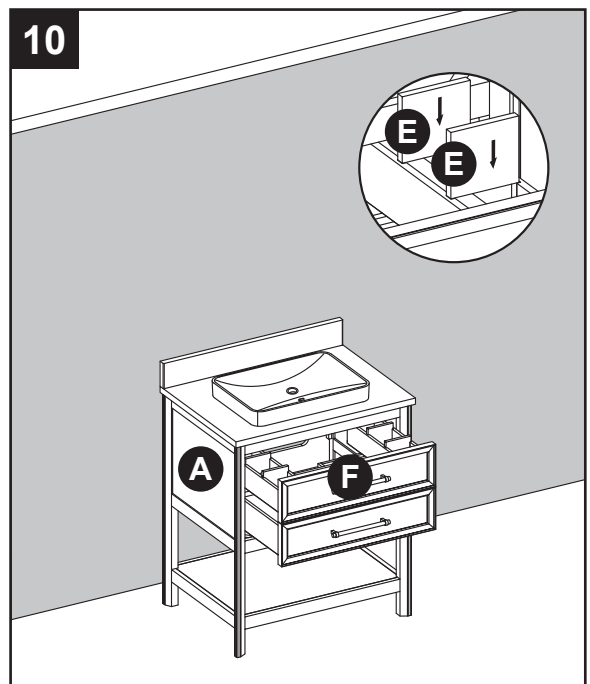
Note: Drawer box alignment can be adjusted, if necessary. As shown in the diagram, spin the adjustment wheel to the left to raise the drawer box, or to the right to lower the drawer box. The left and right-side glide heights can also be adjusted independently in order to find the drawers best alignment position.

CAUTION

DO NOT force drawer or damage to glide(s) may occur. If drawer does not slide in with ease, remove and try again from the start.



10. Insert the four drawer dividers (E) into the notch on the left and right sides of the inside of the upper drawer (F).



INSTALLATION INSTRUCTIONS (Semi-Recessed Sink)

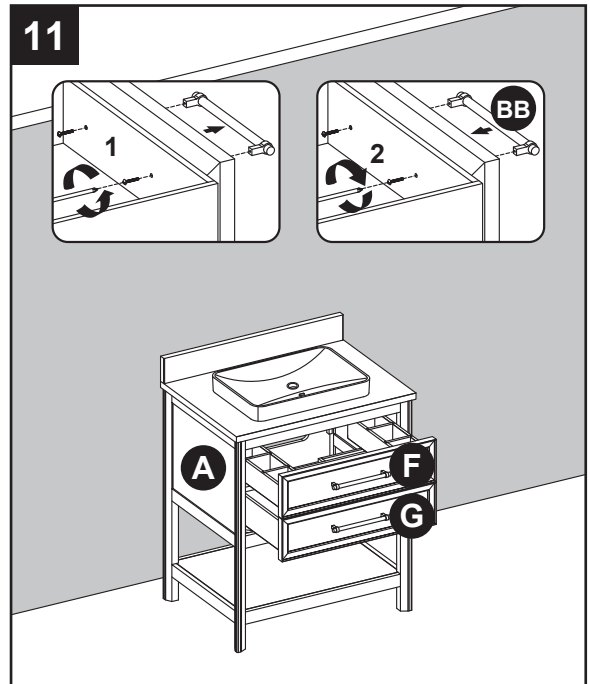
Note: This vanity base comes with two different drawer handle options.

11. One set of handles (BB) are attached to the drawers (F & G), and the other set is packaged separately in the box. If you would like to switch handles, simply remove the existing handles and attach the other finish, as illustrated in the diagram.

Assembly is now complete. Install desired faucet and drain assemblies (neither included) per the manufacturers' instructions to complete the installation.

Hardware Used

BB Handle  x 2



CARE AND MAINTENANCE

- Dust the vanity regularly with a soft, non-lint producing cloth or household dusting product.
- You can clean the vanity with a gentle, non-abrasive household cleaner.
- Make sure to dry the wood immediately with a soft cloth or towel.
- The stone top can be cleaned using standard marble cleaning agents available at your local supplier.
- Tips for using touch-up pen (AA): For scratches, stroke in direction of scratch; for worn areas, stroke in direction of wood grain. Rub off excess colorant promptly with a soft cloth.

IMPORTANT

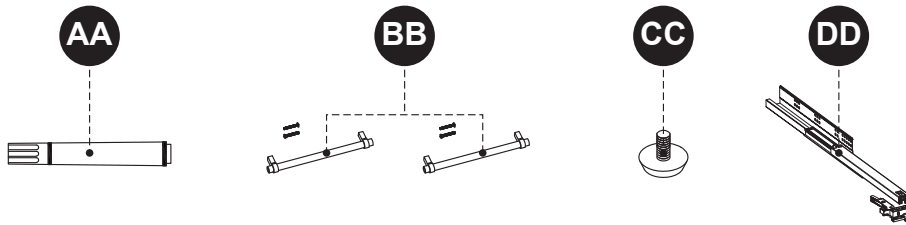
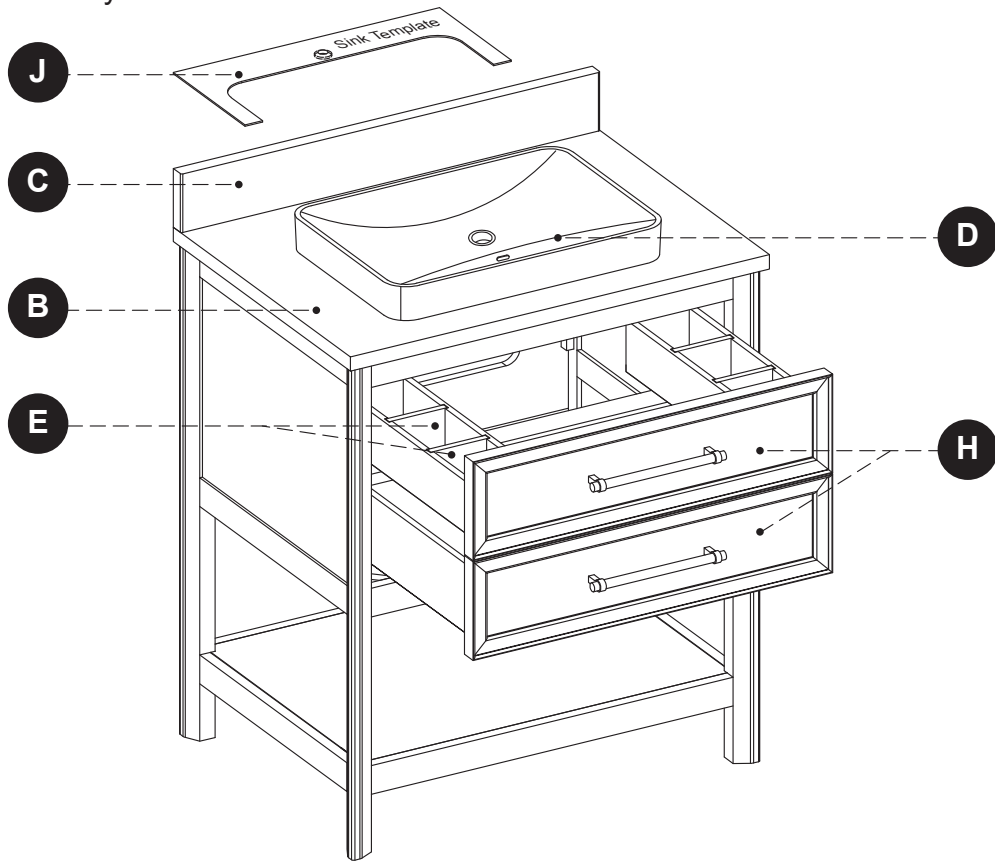
- Shade variations and patterns are an inherent characteristic of stone (e.g. granite, marble, engineered stone). Stone tops will vary from product to product. Use caution placing items such as soap or any fragranced material on the stone surface. Use a soap dish, coaster or similar item to protect the surface if placing any soap or fragranced products on the stone.
- If soap or fragranced products come in contact with the stone top, rinse the surface with water and dry using a soft non-abrasive cloth.
- **WARNING:** Must use cleaning agents safe for stone. Check your cleaning agents use restrictions before using on any stone. Damage to the stone may result. Vanity Manufacturer not responsible for damage caused by improper cleaning agents or soaps used. Warranty will not cover damage caused by the use of improper soaps or cleaning agents.
- **DO NOT** use products to clean the stone top that contain acetone, lemon, vinegar or other acids as these may cause damage to the stone surface.
- Periodically reseal the stone top using an appropriate stone sealer available from your local home store. Follow the manufacturer's directions on how to apply.

WARRANTY

The manufacturer warrants this item against defects in materials and workmanship for a period of one (1) year from the date of original retail purchase. This warranty applies only to the original purchaser. This warranty does not apply to any damage on the product by accident, misuse, or modified, improper installation or by affixing accessories not produced by the manufacturer. The manufacturer will not be held liable for damages caused from cleaners or soaps that etch or stain the stone top. The manufacturer is not accountable whatsoever for product installation during the warranty period. There is no further expressed warranty. The manufacturer shall not be legally responsible for incidental, consequential or special damages arising at or in connection with product use or performance except as may otherwise be accorded by law. The manufacturer disclaims any and all implied warranties.

REPLACEMENT PARTS LIST FOR 1480VA-30-201-SR (Semi-Recessed Sink)

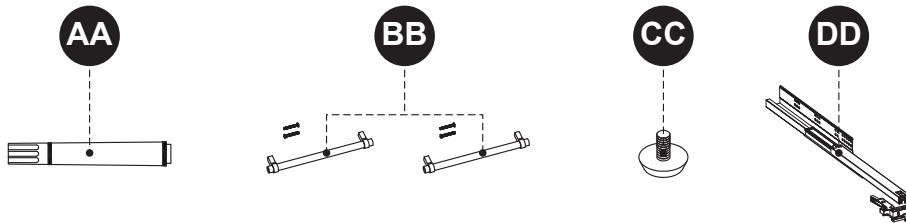
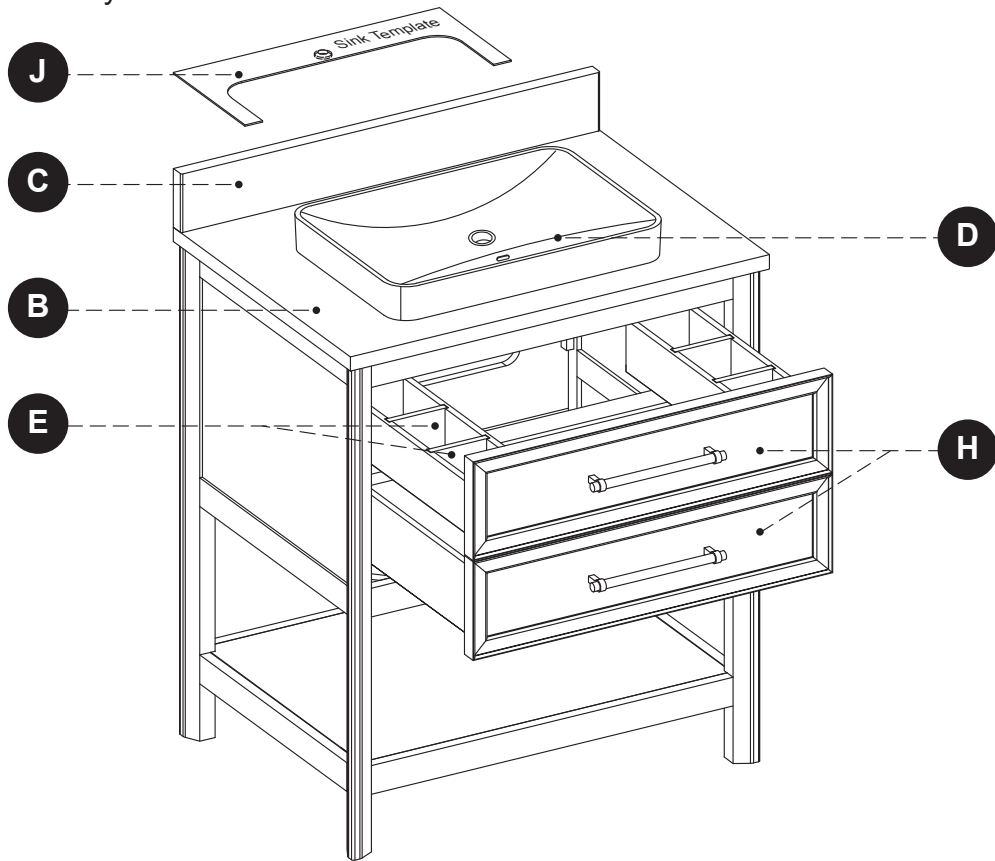
For replacement parts, call our customer service department at 1-855-571-1044, 9 a.m. - 5 p.m., EST, Monday - Friday.



PART	DESCRIPTION	PART #
B	Complete Set 30" Carrara Marble Top	3500VT-30-900
	Complete Set 30" Dark Gray Top	3500VT-30-906
	Complete Set 30" Engineered Calacatta Top	3500VT-30-926
C	30" Carrara Marble Backsplash	PUBS-25-900-30
	30" Dark Gray Backsplash	PUBS-25-906-30
	30" Engineered Calacatta Backsplash	PUBS-25-926-30
D	Sink	SN047B
E	Drawer Divider	1480VA-30-201-DIVIDER
H	Drawer Front	1480VA-30-201-DRAWER FRONT
J	Sink Template	SN047B-TEMPLATE
AA	Touch-up Pen	OF-0010
BB	Handle-brushed nickel	1480-BN HARDWARE
	Handle-champagne brass	1480-CB HARDWARE
CC	Leveler	T-1007
DD	16-IN Glide Track Set	SH-ABC-16IN-3A

REPLACEMENT PARTS LIST FOR 1480VA-30-283-SR (Semi-Recessed Sink)

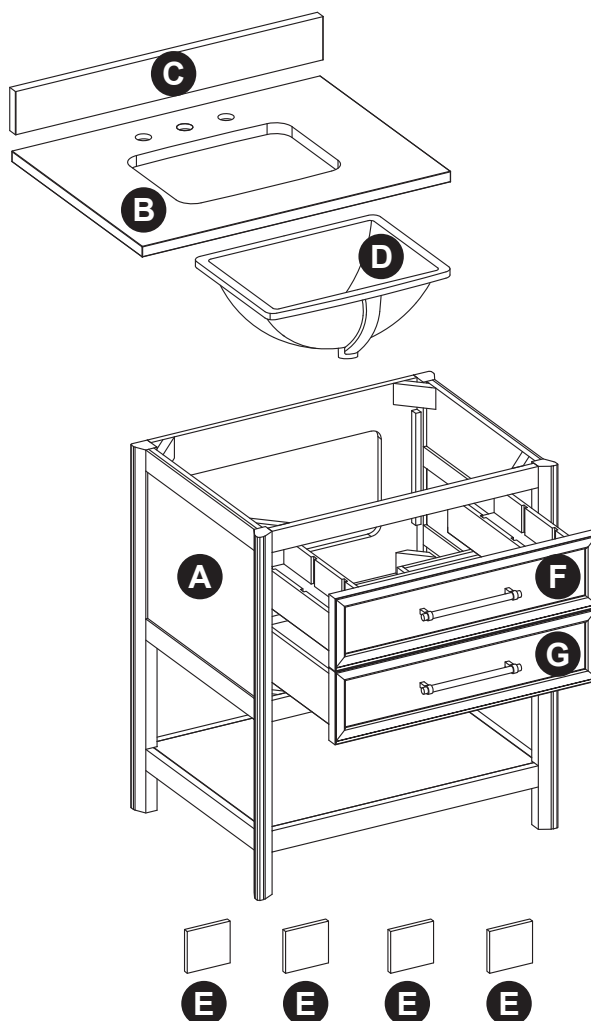
For replacement parts, call our customer service department at 1-855-571-1044, 9 a.m. - 5 p.m., EST, Monday - Friday.



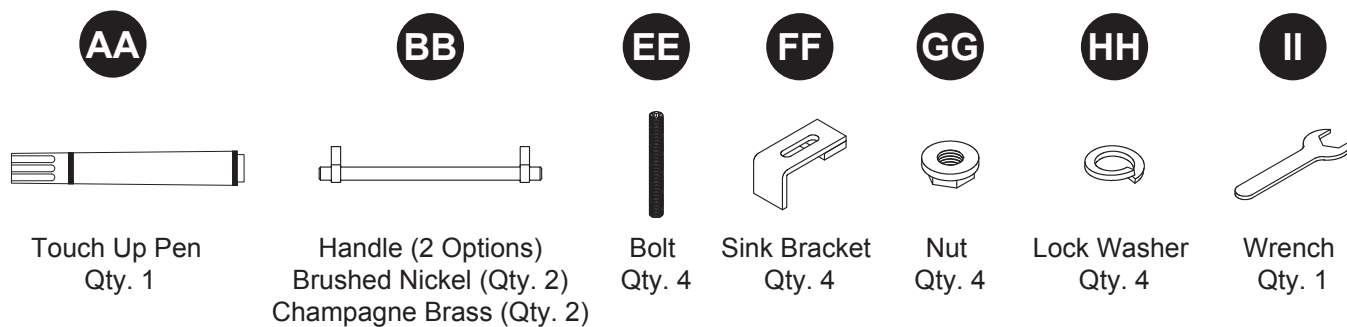
PART	DESCRIPTION	PART #
B	Complete Set 30" Carrara Marble Top	3500VT-30-900
	Complete Set 30" Dark Gray Top	3500VT-30-906
	Complete Set 30" Engineered Calacatta Top	3500VT-30-926
C	30" Carrara Marble Backsplash	PUBS-25-900-30
	30" Dark Gray Backsplash	PUBS-25-906-30
	30" Engineered Calacatta Backsplash	PUBS-25-926-30
D	Sink	SN047B
E	Drawer Divider	1480VA-30-283-DIVIDER
H	Drawer Front	1480VA-30-283-DRAWER FRONT
J	Sink Template	SN047B-TEMPLATE
AA	Touch-up Pen	M-1108
BB	Handle-brushed nickel	1480-BN HARDWARE
	Handle-champagne brass	1480-CB HARDWARE
CC	Leveler	T-1007
DD	16-IN Glide Track Set	SH-ABC-16IN-3A

PACKAGE CONTENTS (Undermount Sink)

PART	DESCRIPTION	QUANTITY	CARTON
A	Vanity	1	Box 2 of 3
B	Top	1	Box 1 of 3
C	Backsplash	1	
D	Sink	1	Box 3 of 3
E	Drawer Divider	4	Box 2 of 3
F	Upper Drawer (preassembled to Vanity (A))	1	
G	Lower Drawer (preassembled to Vanity (A))	1	



HARDWARE CONTENTS (NOT SHOWN ACTUAL SIZE)



SAFETY INSTRUCTIONS

Please read and understand this entire manual before attempting to assemble, operate or install the product.

WARNING

- There are several assembly steps, including unpacking, that require two adults.

CAUTION

- Follow these instructions closely, take your time, and use care while assembling this vanity.

KEEP THESE INSTRUCTIONS FOR FUTURE REFERENCE.

PREPARATION

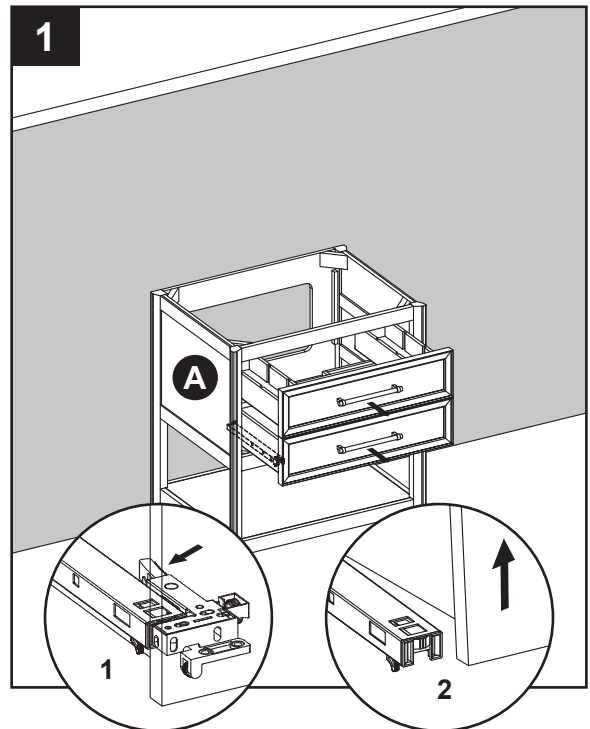
Before beginning assembly of product, make sure all parts are present. Compare parts with package contents list and hardware contents list. If any part is missing or damaged, do not attempt to assemble the product.

Estimated Installation Time: 40 minutes (24 hours for silicone caulk to dry).

Tools Required for Installation (not included): Phillips screwdriver, utility knife or scissors, silicone caulk, power drill with drill bit, measuring tape, level

INSTALLATION INSTRUCTIONS (Undermount Sink)

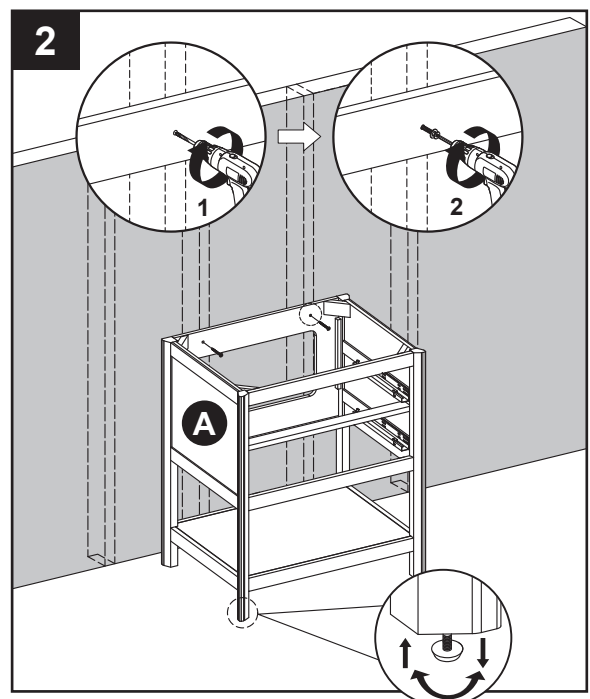
1. As shown in the diagram, fully extend the drawer and locate the plastic levers on the metal glide tracks. Push the left-side and right-side levers at the same time to disengage the drawer from the drawer glides. Gently lift the drawer up to remove it from vanity (A).



Note: Clean area where the vanity (A) will be permanently located prior to beginning installation, ensuring the vanity (A) will not interfere with any water supply and drain lines once mounted.

2. With two people, carefully place vanity (A) against the wall in its final location. While holding the vanity base firmly against the wall, use the pre-assembled levelers on the bottom of each leg of the vanity (A) to level the item. Twisting the levelers counterclockwise will raise the height of the vanity (A), and twisting them clockwise will lower the vanity.

Once the vanity is in place, against the wall, and level from front to back and side to side, drill a hole through the vanity mounting area and into the wall studs (as illustrated in diagram 2). Using appropriate mounting hardware (not included), secure the vanity (A) to a wall stud. If possible, secure the vanity (A) to two wall studs for increased stability.

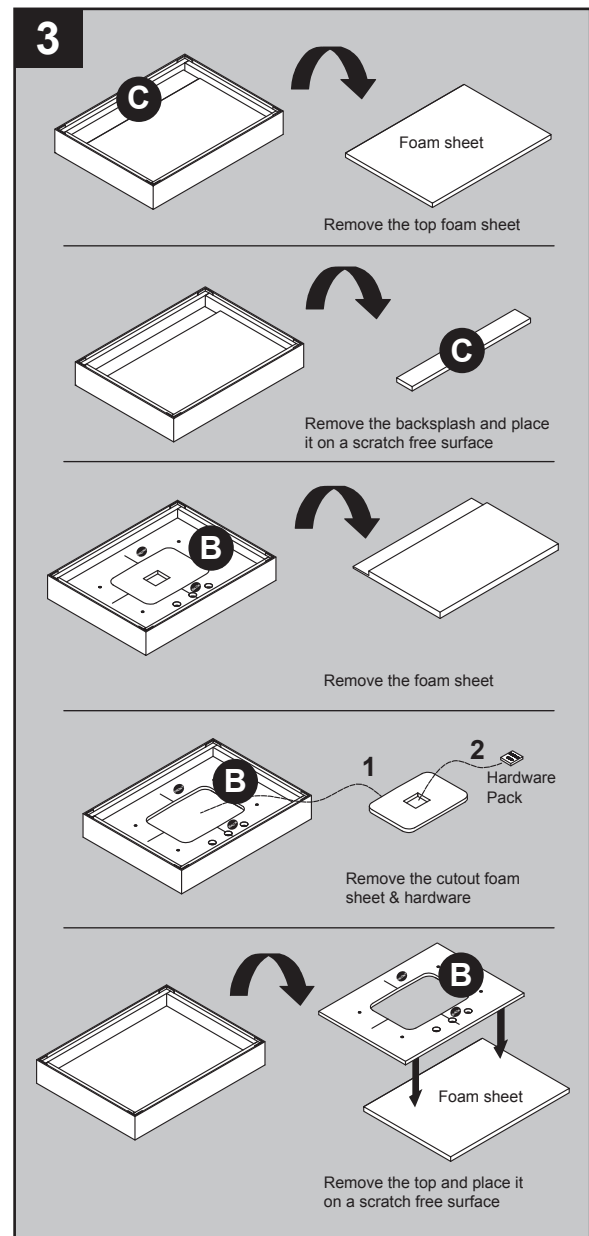


WARNING

Vanity (A) **MUST** be secured to wall.

INSTALLATION INSTRUCTIONS (Undermount Sink)

3. Take out the top (B) and backsplash (C) according to the steps indicated by the drawings on the right, and place them face down onto a scratch free surface such as a foam sheet that came in the packaging.

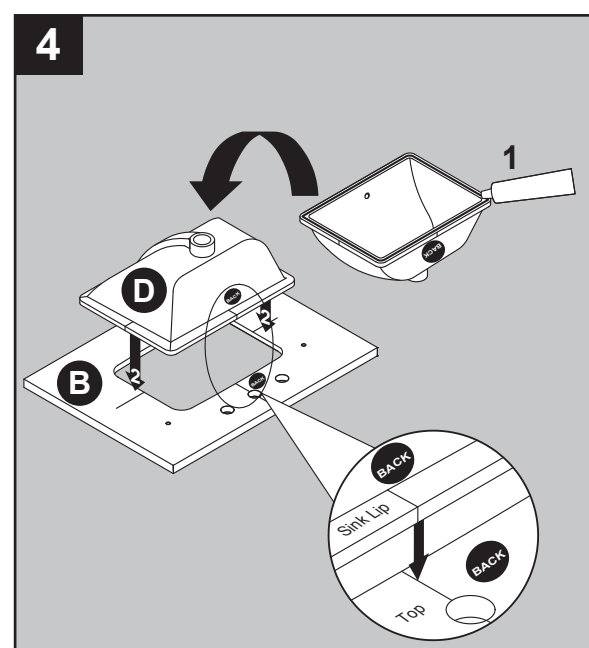


4. Apply silicone caulk (not included) to the top edge of sink (D). With the help of another adult, lower the sink onto the back side of the stone top.

Make sure the sink over-flow hole is facing the front of stone top.

Be sure to align the sink well with the stone top cut out allowing for equal stone overhang on the front, back and sides of the ceramic sink (D).

Note: To install the sink onto the top correctly, ensure that the two "BACK" stamps on the sink and the top are aligned on the same sides. Use the guide lines marked on the sink and bottom side of stone top to assist with sink location.

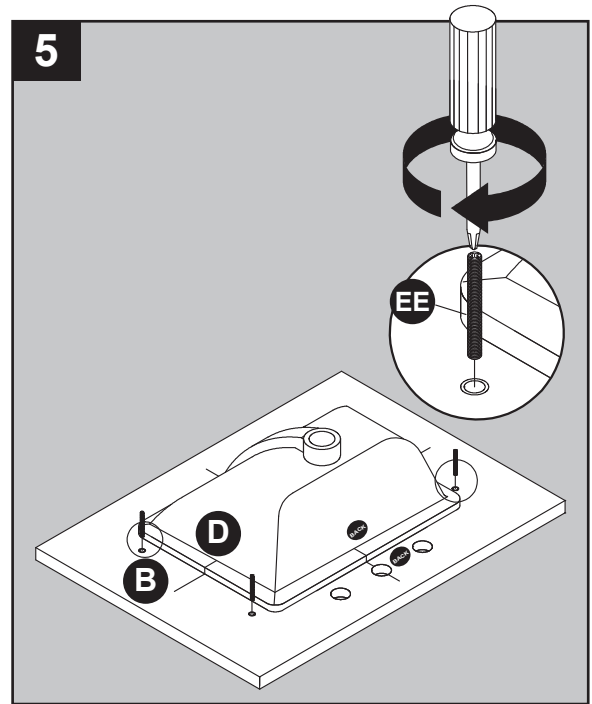


INSTALLATION INSTRUCTIONS (Undermount Sink)

5. Screw bolts (EE) into the threaded holes of stone top (B).

Hardware Used

EE Bolt  x 4



6. Lower the sink brackets (FF) over the bolts (EE) and allow to rest on the sink lip. Adjust location of bracket to firmly grasp sink lip. Lower lock washers (HH) over bolts (EE) and secure with nuts (GG). Hand tighten nuts (GG) with included wrench (II). **DO NOT OVER TIGHTEN!**

Tip: Check that the sink placement is well centered front to back and side to side of the stone top cut out before allowing the silicone caulk to dry. If the sink is not centered well unscrew sink clamps, re-adjust the sink position and re-tighten the sink brackets.

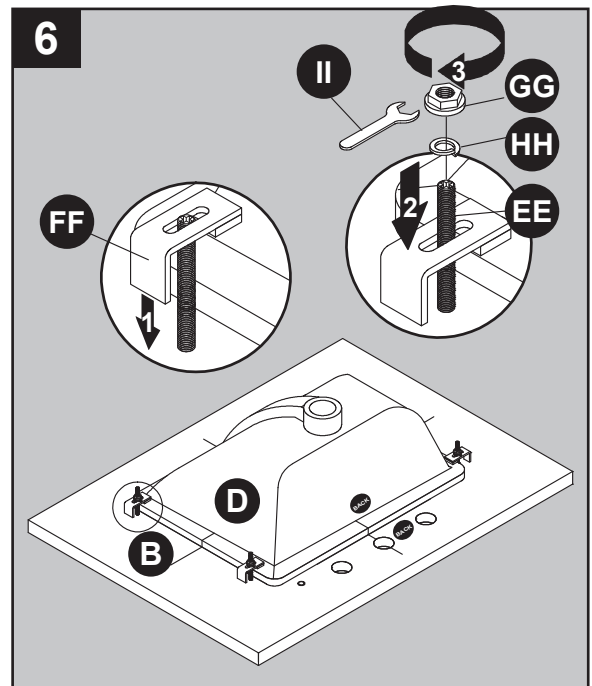
Hardware Used

FF Sink bracket  x 4

GG Nut  x 4

HH Lock Washer  x 4

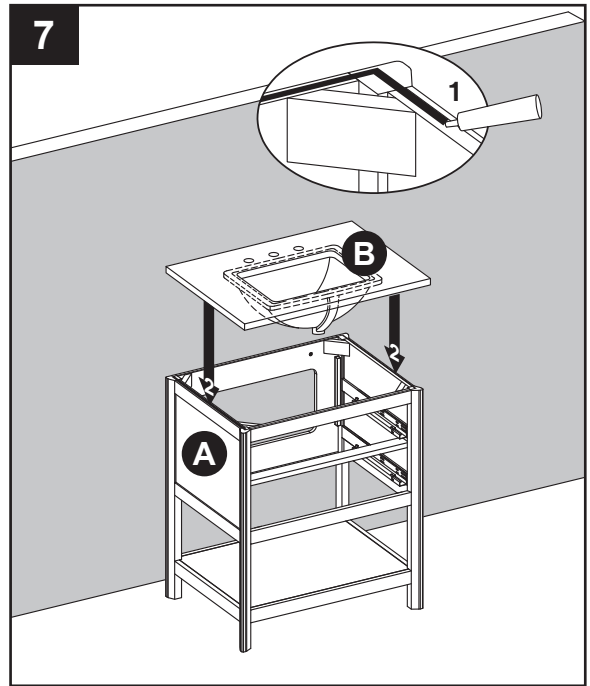
II Wrench  x 1



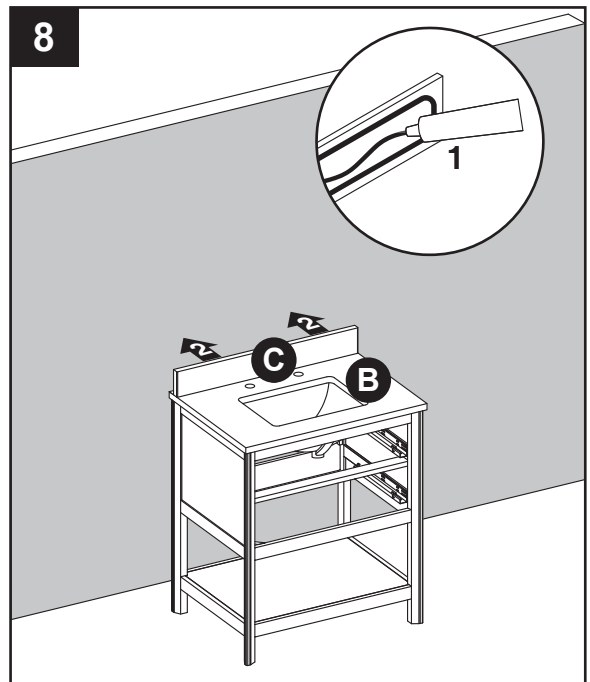
INSTALLATION INSTRUCTIONS (Undermount Sink)

Helpful tip: it may be easier to install your choice of faucet (not included) before securing the vanity top (B) to vanity base (A).

7. To install the Top (B) to the vanity (A).
Apply silicone caulk to the top edge of the wood cabinet. With the help of another adult, gently lower the stone top with assembled sink onto the cabinet. Make sure the stone top is flush with the back side of the wood cabinet and the stone overhang is equal on both sides over the wood cabinet left and right side walls. Remove any excess caulk before allowing to dry.



8. Apply silicone caulk (not included) to unpolished side and bottom of backsplash (C). Position backsplash (C) on top (B) and against wall. Clean any excess caulk before allowing to dry.



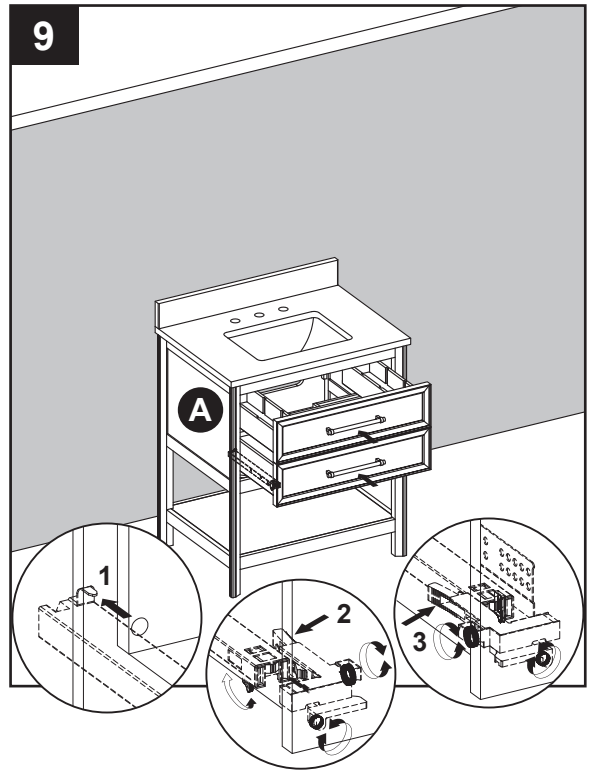
INSTALLATION INSTRUCTIONS (Undermount Sink)

9. To reinstall drawer(s) into vanity (A), fully extend metal glide tracks. Gently lower and slide drawer box into rear glide catch. Next, lower drawer box down to completely rest on extended glides. Then, push plastic levers to lock the drawer box in place.

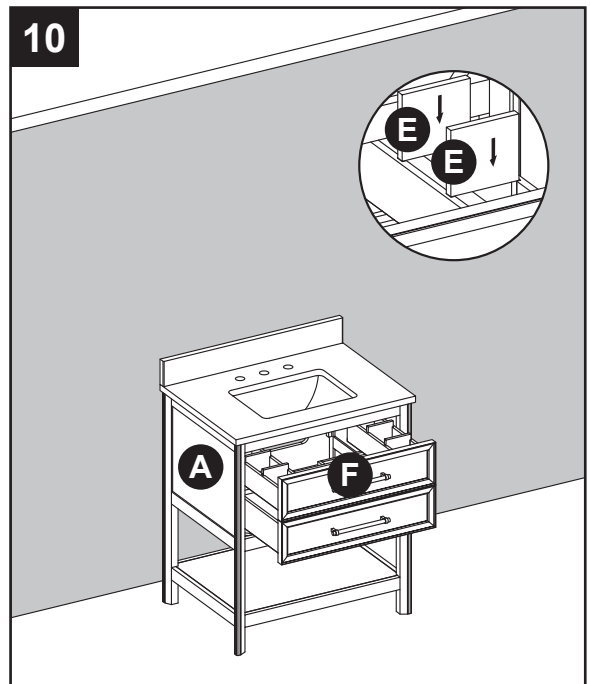
Note: Drawer box alignment can be adjusted, if necessary. As shown in the diagram, spin the adjustment wheel to the left to raise the drawer box, or to the right to lower the drawer box. The left and right-side glide heights can also be adjusted independently in order to find the drawers best alignment position.

CAUTION

DO NOT force drawer or damage to glide(s) may occur. If drawer does not slide in with ease, remove and try again from the start.



10. Insert the four drawer dividers (E) into the notch on the left and right sides of the inside of the upper drawer (F).




INSTALLATION INSTRUCTIONS (Undermount Sink)

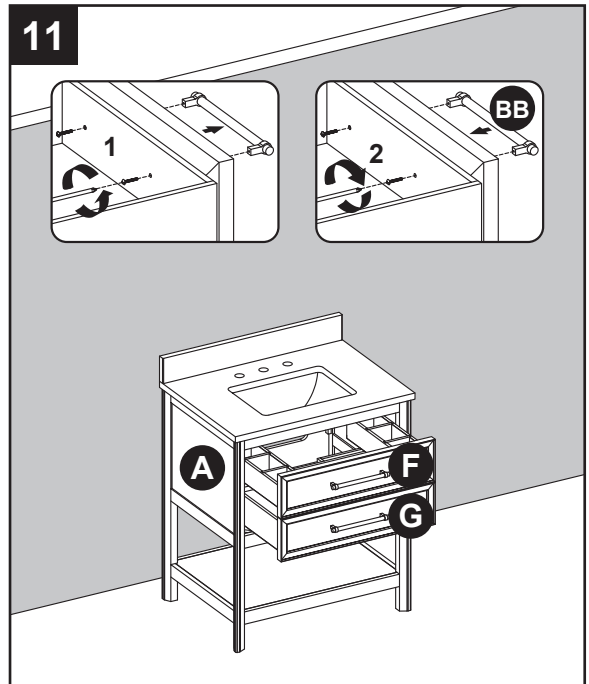
Note: This vanity base comes with two different drawer handle options.

11. One set of handles (BB) are attached to the drawers (F & G), and the other set is packaged separately in the box. If you would like to switch handles, simply remove the existing handles and attach the other finish, as illustrated in the diagram.

Assembly is now complete. Install desired faucet and drain assemblies (neither included) per the manufacturers' instructions to complete the installation.

Hardware Used

BB Handle  x 2



CARE AND MAINTENANCE

- Dust the vanity regularly with a soft, non-lint producing cloth or household dusting product.
- You can clean the vanity with a gentle, non-abrasive household cleaner.
- Make sure to dry the wood immediately with a soft cloth or towel.
- The stone top can be cleaned using standard marble cleaning agents available at your local supplier.
- Tips for using touch-up pen (AA): For scratches, stroke in direction of scratch; for worn areas, stroke in direction of wood grain. Rub off excess colorant promptly with a soft cloth.

IMPORTANT

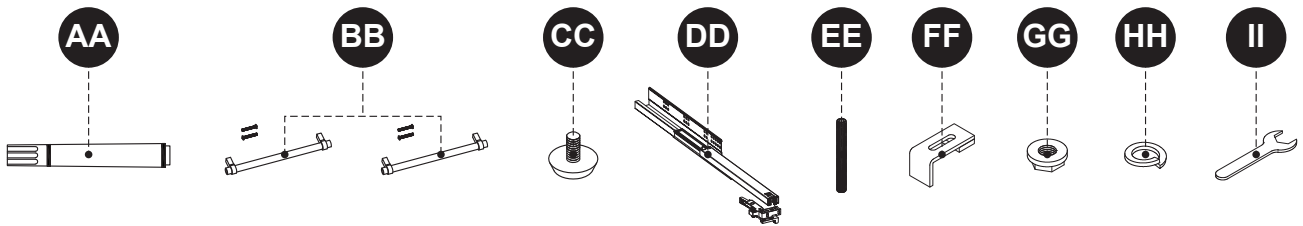
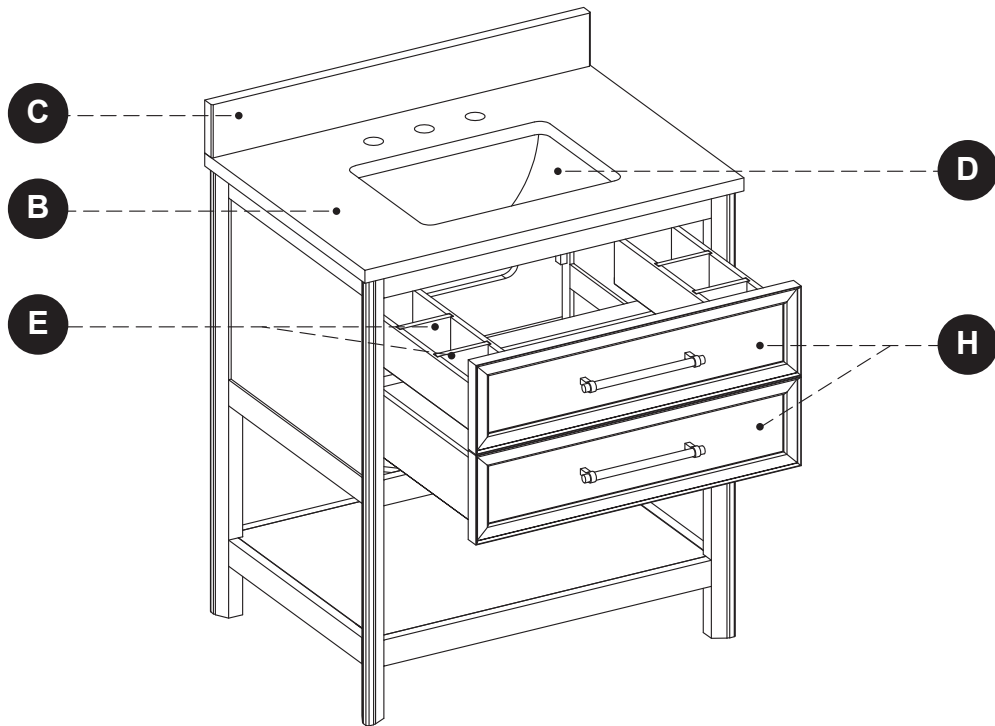
- Shade variations and patterns are an inherent characteristic of stone (e.g. granite, marble, engineered stone). Stone tops will vary from product to product. Use caution placing items such as soap or any fragranced material on the stone surface. Use a soap dish, coaster or similar item to protect the surface if placing any soap or fragranced products on the stone.
- If soap or fragranced products come in contact with the stone top, rinse the surface with water and dry using a soft non-abrasive cloth.
- **WARNING:** Must use cleaning agents safe for stone. Check your cleaning agents use restrictions before using on any stone. Damage to the stone may result. Vanity Manufacturer not responsible for damage caused by improper cleaning agents or soaps used. Warranty will not cover damage caused by the use of improper soaps or cleaning agents.
- **DO NOT** use products to clean the stone top that contain acetone, lemon, vinegar or other acids as these may cause damage to the stone surface.
- Periodically reseal the stone top using an appropriate stone sealer available from your local home store. Follow the manufacturer's directions on how to apply.

WARRANTY

The manufacturer warrants this item against defects in materials and workmanship for a period of one (1) year from the date of original retail purchase. This warranty applies only to the original purchaser. This warranty does not apply to any damage on the product by accident, misuse, or modified, improper installation or by affixing accessories not produced by the manufacturer. The manufacturer will not be held liable for damages caused from cleaners or soaps that etch or stain the stone top. The manufacturer is not accountable whatsoever for product installation during the warranty period. There is no further expressed warranty. The manufacturer shall not be legally responsible for incidental, consequential or special damages arising at or in connection with product use or performance except as may otherwise be accorded by law. The manufacturer disclaims any and all implied warranties.

REPLACEMENT PARTS LIST FOR 1480VA-30-201-UM (Undermount Sink)

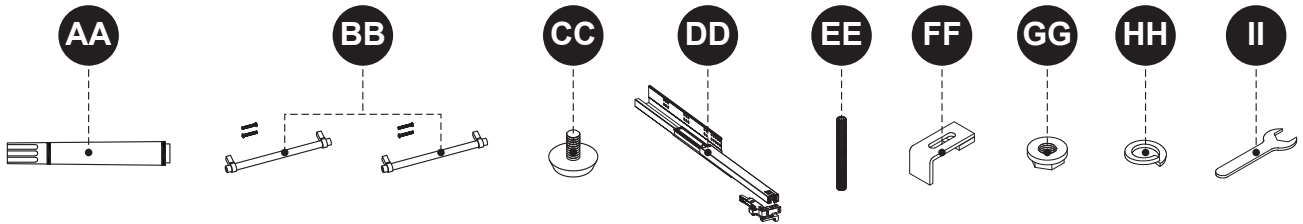
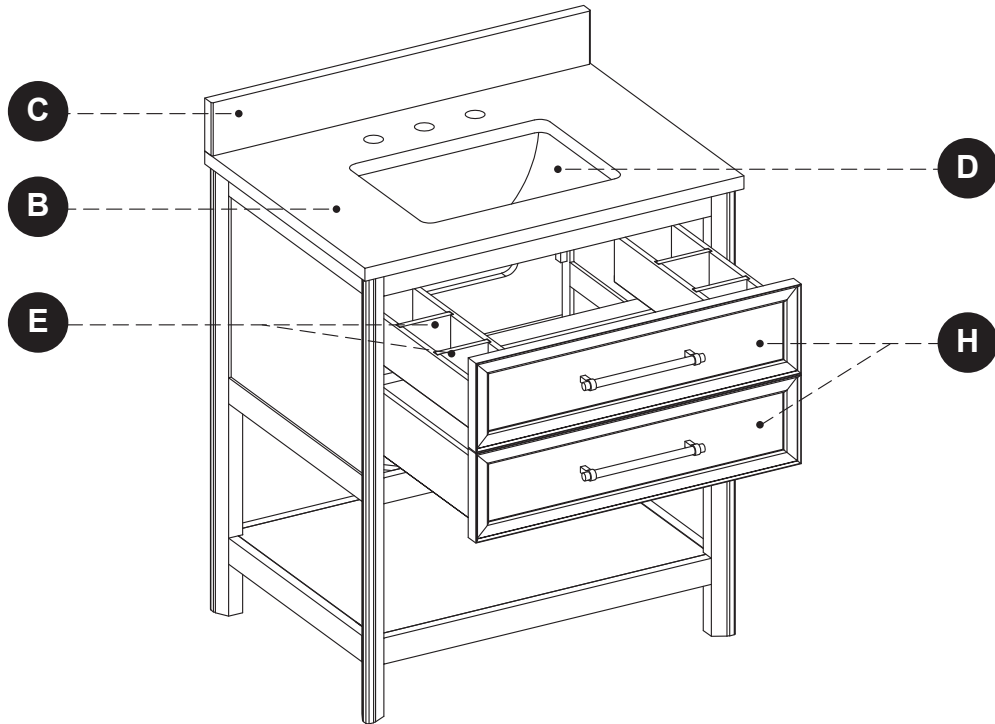
For replacement parts, call our customer service department at 1-855-571-1044, 9 a.m. - 5 p.m., EST, Monday - Friday.



PART	DESCRIPTION	PART #
B	Complete Set 30" Carrara Marble Top	2500VT-30-900
	Complete Set 30" Dark Gray Top	2500VT-30-906
	Complete Set 30" Engineered Calacatta Top	2500VT-30-926
C	30" Carrara Marble Backsplash	PUBS-25-900-30
	30" Dark Gray Backsplash	PUBS-25-906-30
	30" Engineered Calacatta Backsplash	PUBS-25-926-30
D	Sink	PU17-18x14-SQUARE
E	Drawer Divider	1480VA-30-201-DIVIDER
H	Drawer Front	1480VA-30-201-DRAWER FRONT
AA	Touch-up Pen	OF-0010
BB	Handle-brushed nickel	1480-BN HARDWARE
	Handle-champagne brass	1480-CB HARDWARE
CC	Leveler	T-1007
DD	16-IN Glide Track Set	SH-ABC-16IN-3A
EE	Bolt	GTC-SINK CLIPS
FF	Sink Bracket	
GG	Nut	
HH	Lock Washer	
II	Wrench	

REPLACEMENT PARTS LIST FOR 1480VA-30-283-UM (Undermount Sink)

For replacement parts, call our customer service department at 1-855-571-1044, 9 a.m. - 5 p.m., EST, Monday - Friday.



PART	DESCRIPTION	PART #
B	Complete Set 30" Carrara Marble Top	2500VT-30-900
	Complete Set 30" Dark Gray Top	2500VT-30-906
	Complete Set 30" Engineered Calacatta Top	2500VT-30-926
C	30" Carrara Marble Backsplash	PUBS-25-900-30
	30" Dark Gray Backsplash	PUBS-25-906-30
	30" Engineered Calacatta Backsplash	PUBS-25-926-30
D	Sink	PU17-18x14-SQUARE
E	Drawer Divider	1480VA-30-283-DIVIDER
H	Drawer Front	1480VA-30-283-DRAWER FRONT
AA	Touch-up Pen	M-1108
BB	Handle-brushed nickel	1480-BN HARDWARE
	Handle-champagne brass	1480-CB HARDWARE
CC	Leveler	T-1007
DD	16-IN Glide Track Set	SH-ABC-16IN-3A
EE	Bolt	GTC-SINK CLIPS
FF	Sink Bracket	
GG	Nut	
HH	Lock Washer	
II	Wrench	

