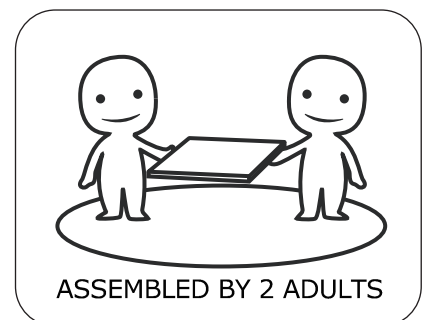


Changing Table



ASSEMBLED BY 2 ADULTS



IMPORTANT INFORMATION!

please read the entire manual before starting to assemble and/or using this product. follow the manual thoroughly and keep it for further reference.



AVOID SCRATCHES!

In order to avoid scratching this furniture should be assembled on a soft layer- could be a rug.



IMPROVE EFFICIENCY !

Try to find a partner to install with you, which can speed up the installation efficiency and shorten the time.



ANTI-TOPPLE WARNING !

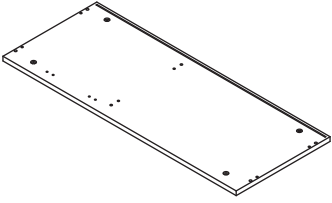
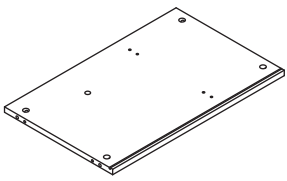
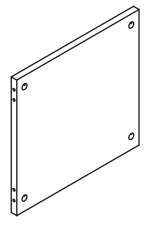
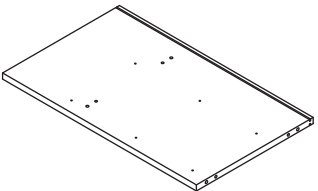
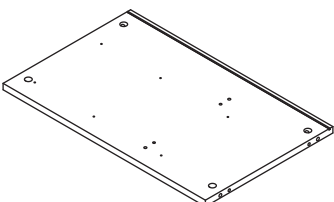
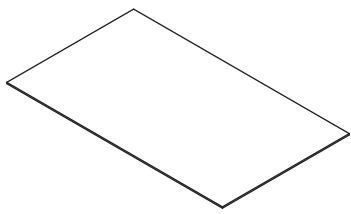
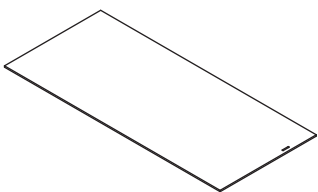
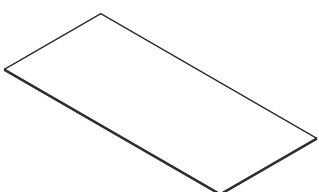
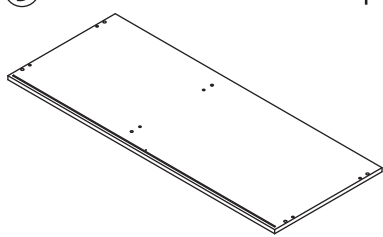
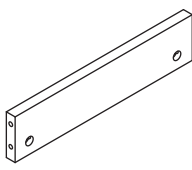
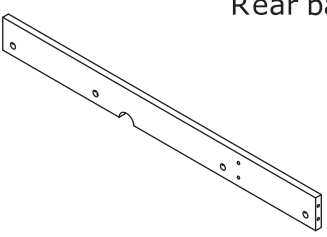
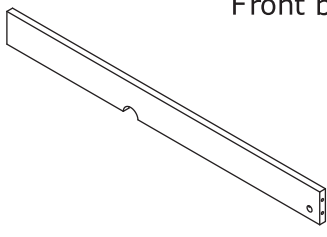
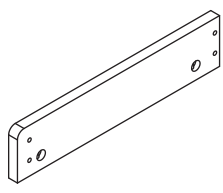
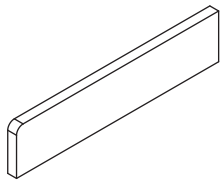
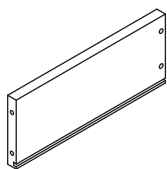
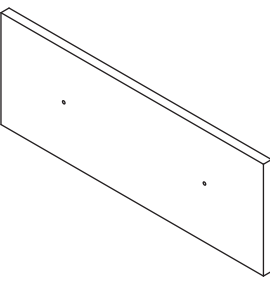
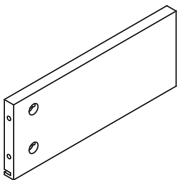
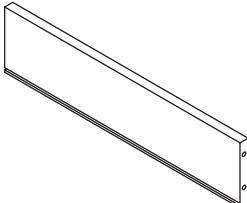
Overturnd furniture can cause serious or fatal crush injuries. To prevent tipping over, be sure to use the wall attachment, if not included with this product. Please purchase the wall attachment that fit your wall. If unsure, seek professional advice. Please read and follow each step of the instructions carefully.

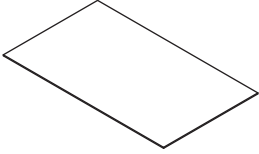
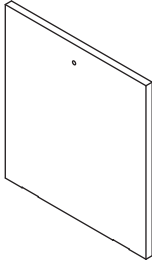
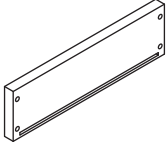
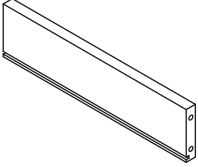
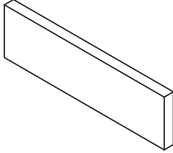
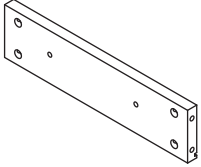
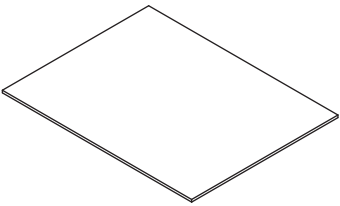

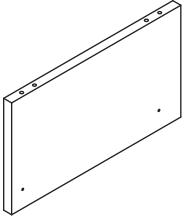
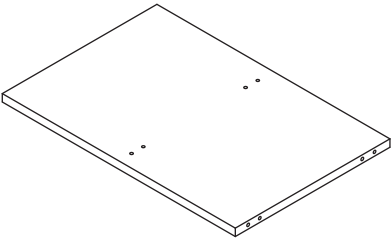
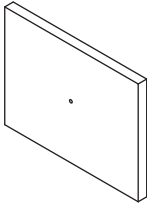
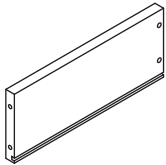
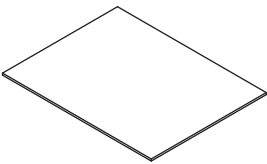
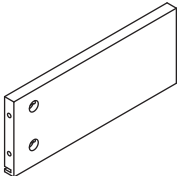
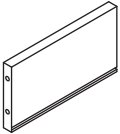
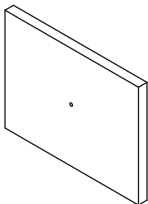
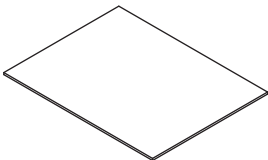
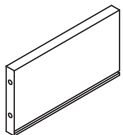
IMPORTANT !

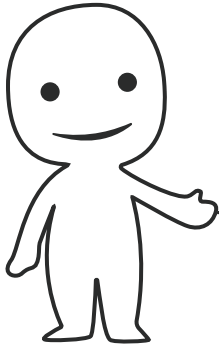
It is important that any product which is assembled using any kind of screw is re-tightened 2 weeks after assembly, and once every 3 months - in order to assure stability through-out the lifespan of the product.

For regular maintenance and cleaning of the product, for the frame, please use a rag dipped in neutral detergent to fully wipe it, and then dry it with a clean rag. For glass materials, wipe with a rag dampened with water glass cleaner, and then dry with a dry rag.

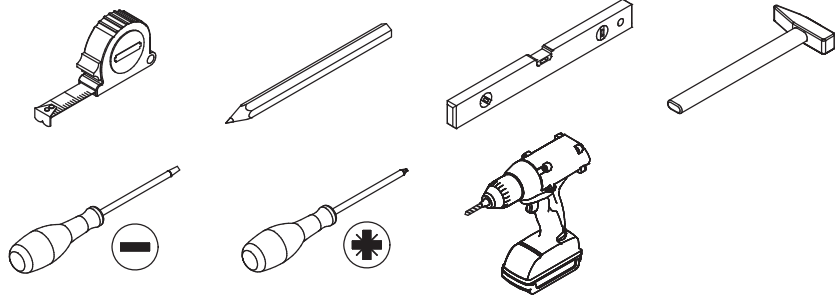
Do not use an electric screwdriver, and do not use too much force when installing, because the board is easy to break.

<p>① Top plate</p>  <p>x1</p>	<p>② Left side panel</p>  <p>x1</p>	<p>③ Laminate</p>  <p>x1</p>
<p>④ Middle side plate</p>  <p>x1</p>	<p>⑤ Right side panel</p>  <p>x1</p>	<p>⑥ Left backplane</p>  <p>x1</p>
<p>⑦ Left backplane</p>  <p>x1</p>	<p>⑧ Right backplane</p>  <p>x1</p>	<p>⑨ Bottom plate</p>  <p>x1</p>
<p>⑩ Middle side plate</p>  <p>x1</p>	<p>⑪ Rear baffle</p>  <p>x1</p>	<p>⑫ Front baffle</p>  <p>x1</p>
<p>⑬ Left baffle</p>  <p>x1</p>	<p>⑭ Right baffle</p>  <p>x1</p>	<p>⑮ Drawer left side panel</p>  <p>x3</p>
<p>⑯ Drawer panel</p>  <p>x3</p>	<p>⑰ Drawer right side panel</p>  <p>x3</p>	<p>⑱ Drawer back plate</p>  <p>x3</p>

<p>①9 Drawer base plate</p>  <p>x3</p>	<p>②0 door plank</p>  <p>x1</p>	<p>②1 Drawer left side panel</p>  <p>x1</p>
<p>②2 Drawer back plate</p>  <p>x1</p>	<p>②3 Drawer right side panel</p>  <p>x1</p>	<p>②4 Drawer front plat</p>  <p>x1</p>
<p>②5 Drawer base plate</p>  <p>x1</p>	<p>②6 leg of a table</p>  <p>x4</p>	<p>②7</p>  <p>x1</p>
<p>②8 Laminate</p>  <p>x1</p>	<p>②9 Drawer panel</p>  <p>x1</p>	<p>③0 Drawer left side panel</p>  <p>x2</p>
<p>③1 Drawer base plate</p>  <p>x1</p>	<p>③2 Drawer right side panel</p>  <p>x2</p>	<p>③3 Drawer back plate</p>  <p>263.5x120 x1</p>
<p>③4 Drawer panel</p>  <p>x1</p>	<p>③5 Drawer base plate</p>  <p>275.5x347 3/44 x1</p>	<p>③6 Drawer back plate</p>  <p>256x120 x1</p>



Please prepare the following tools



When installing, please carefully confirm whether each screw corresponds to the manual, accessories with similar shapes can be distinguished by size

A x 78

Ø 5 x 31 mm

B x 78

Ø 15 x 11 mm

C x 38

Ø 8 x 30 mm

D x 32

Ø 3.5 x 14 mm

E x 3

Ø 6 x 20 mm

F x 4

Ø 6 x 25 mm

G x 7

Ø 3 x 11 mm

H x 10

Ø 3 x 10 mm

J x 2

Ø 3 x 10 mm

x 12

K x 2

Ø 3 x 10 mm

L x 1

Ø 4 x 36 mm

Ø 4 x 12 mm

x 2

M x 4

L=350 mm

N x 78

Ø 3 x 10 mm

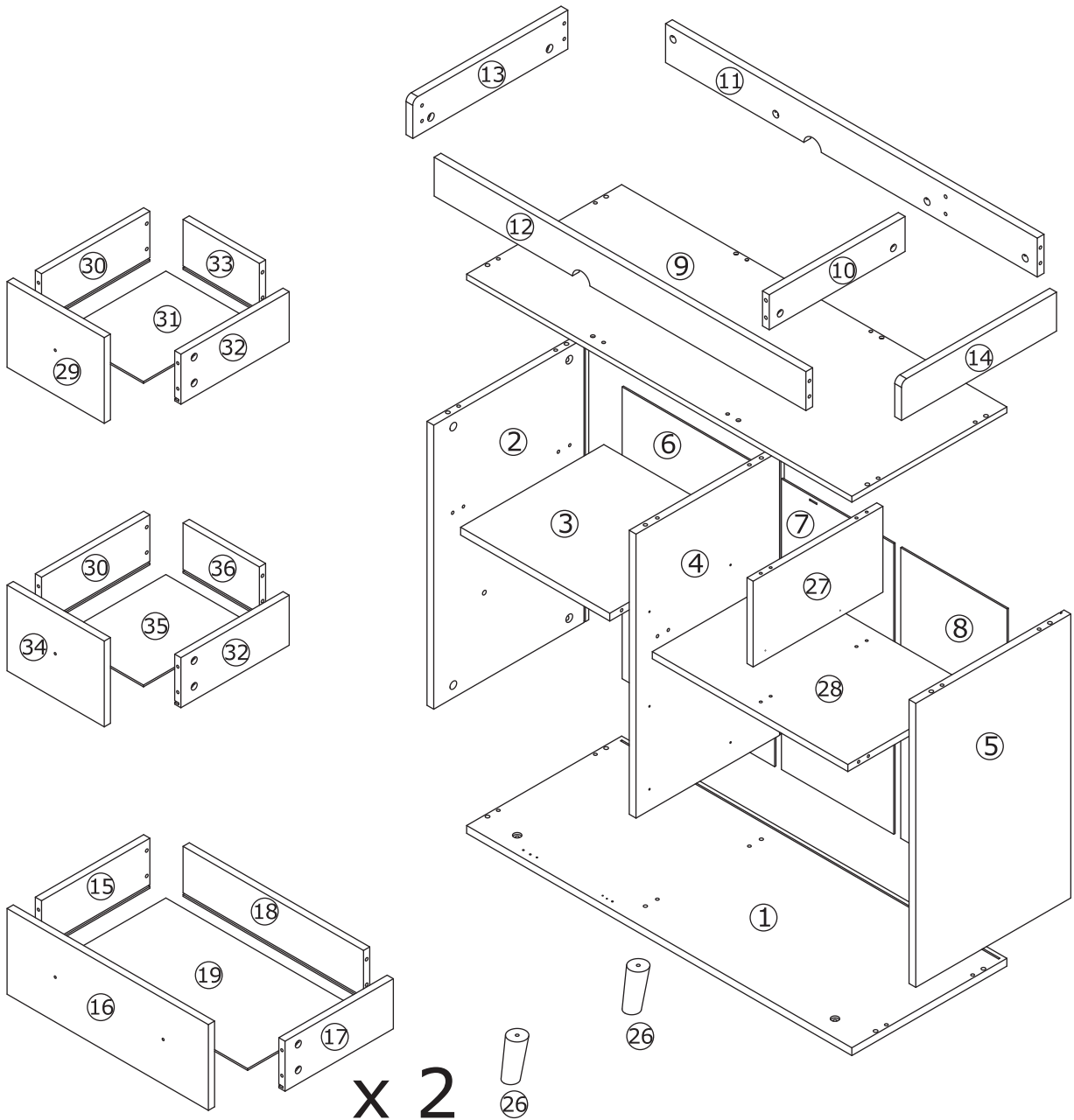
P x 1

Ø 3 x 10 mm

x 4

White nut

x 3

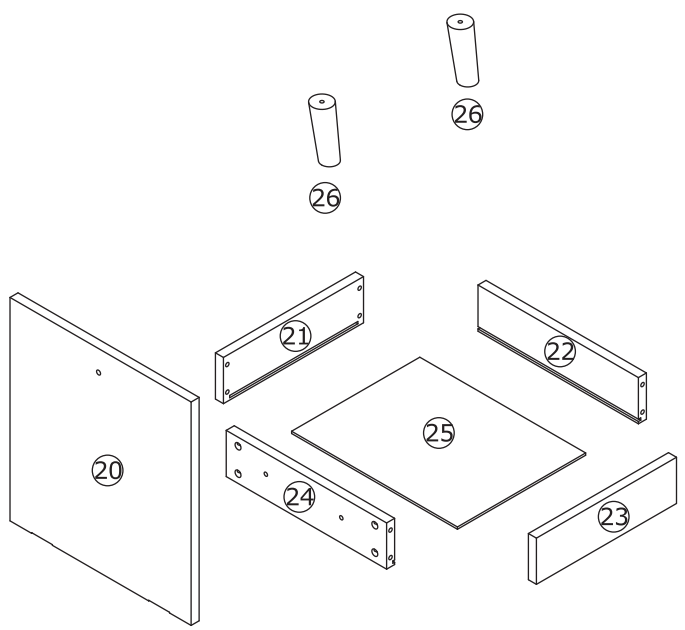


⚠ WARNING

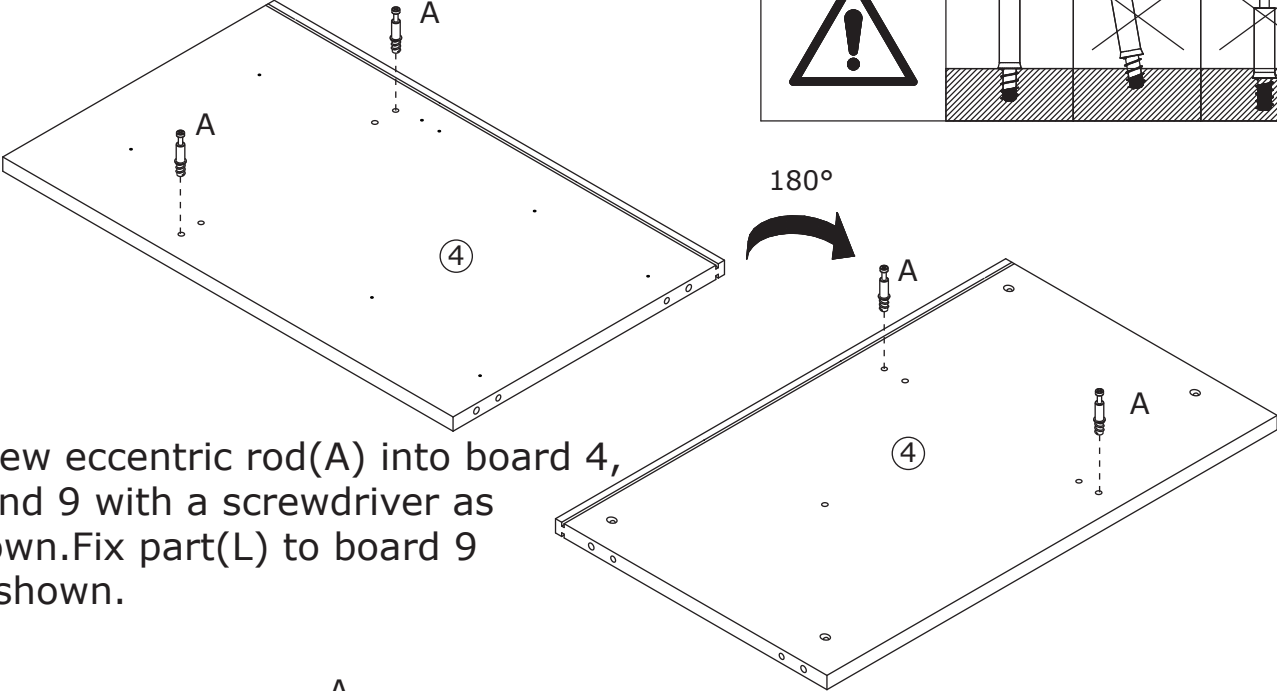
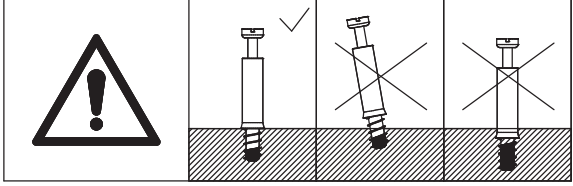
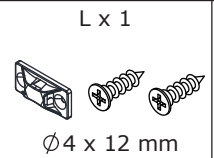
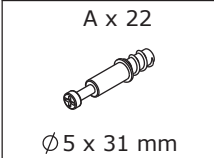
Children have died from furniture tipover. To reduce the risk of furniture tipover:

- ALWAYS install tipover restraint provided.
- NEVER put a TV on this product.
- NEVER allow children to stand, climb or hang on drawers, doors, or shelves.
- NEVER open more than one drawer at a time.
- Place heaviest items in the lowest drawers.

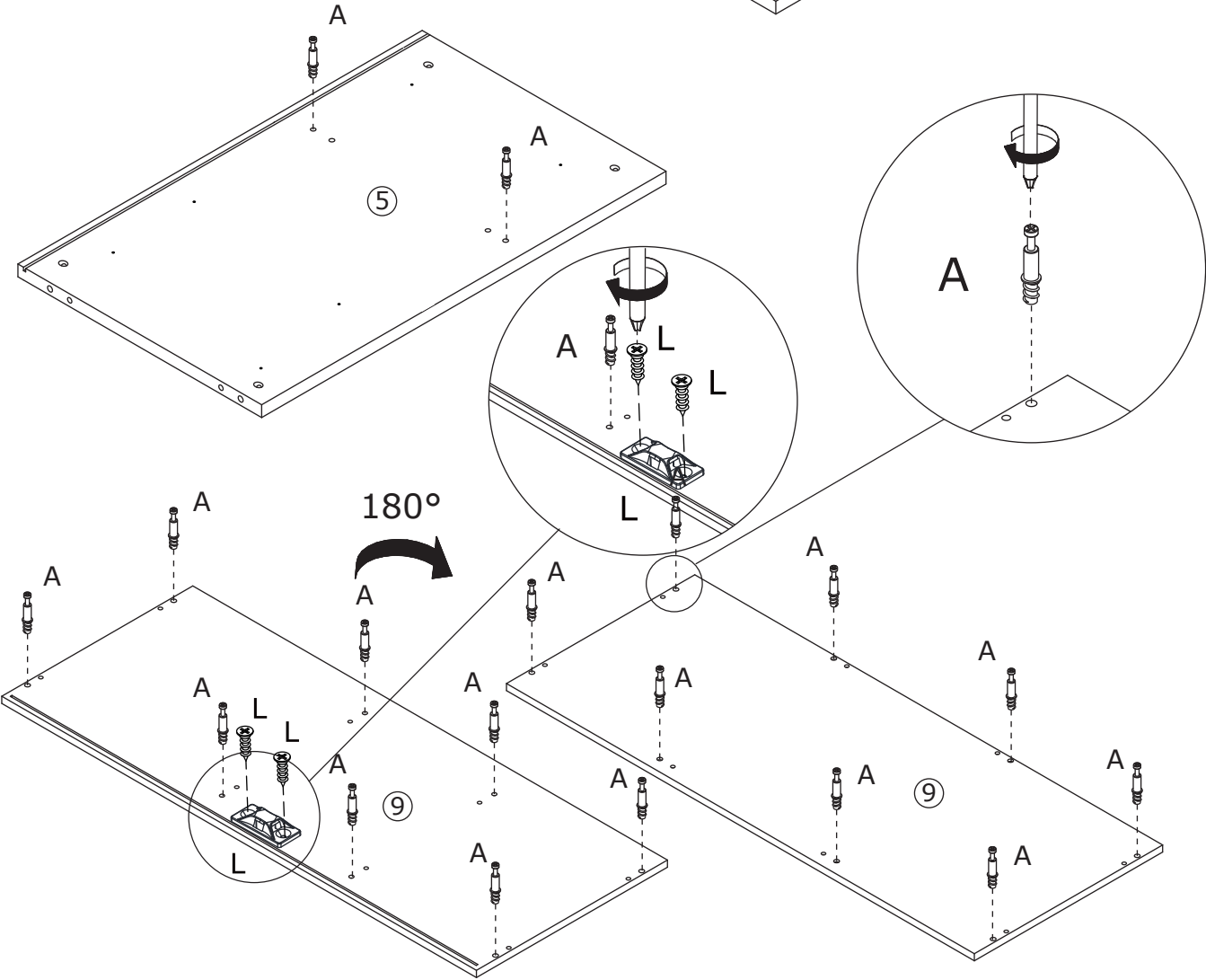
This is a permanent label. Do not remove!



1

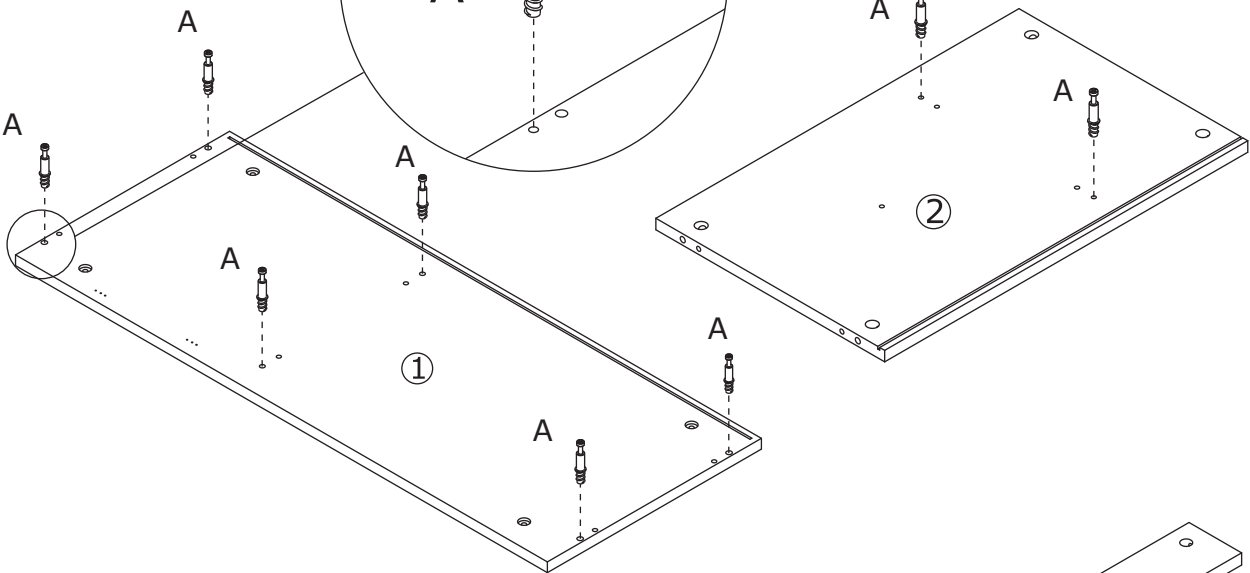
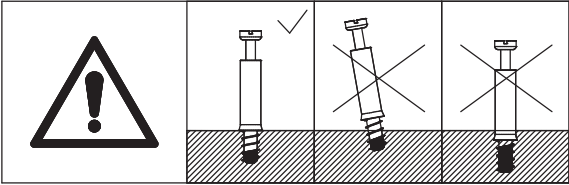
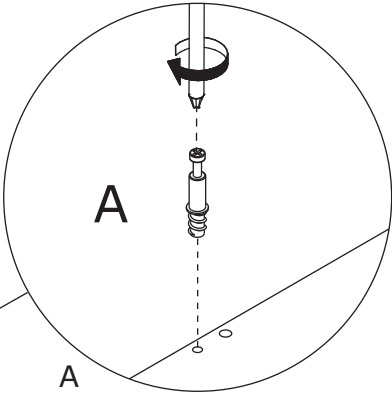
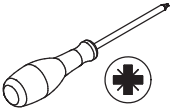


Screw eccentric rod(A) into board 4, 5 and 9 with a screwdriver as shown. Fix part(L) to board 9 as shown.

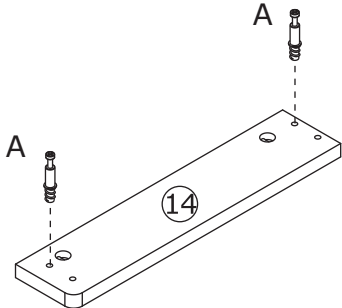
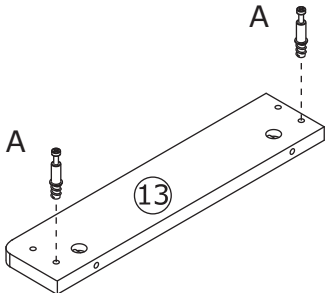
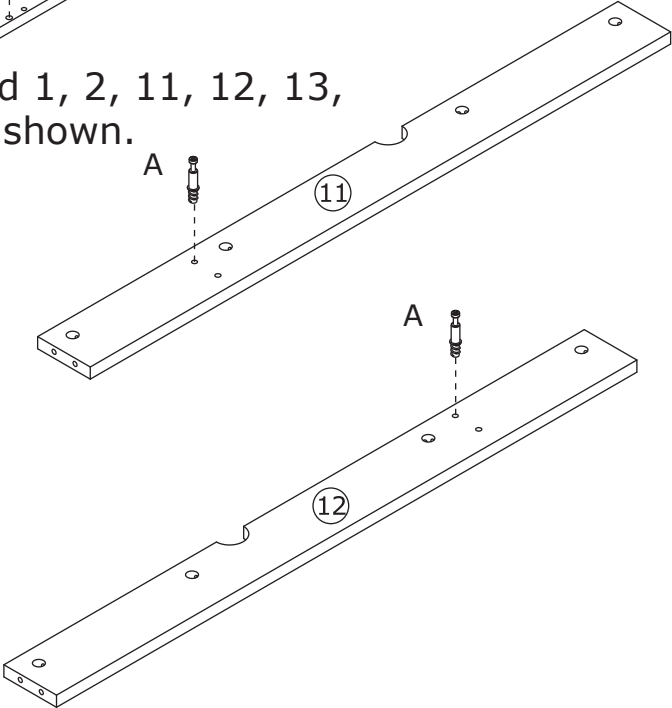
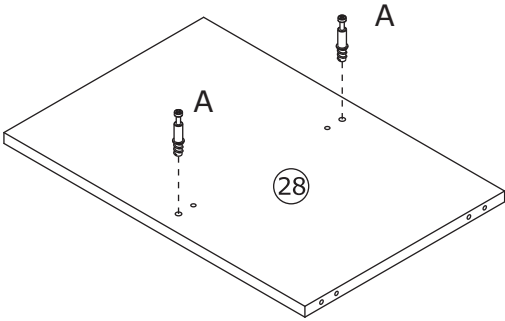


2

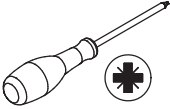
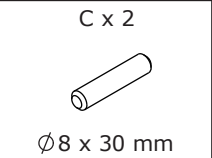
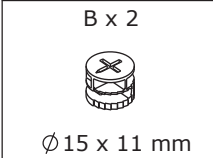
A x 16
Ø5 x 31 mm



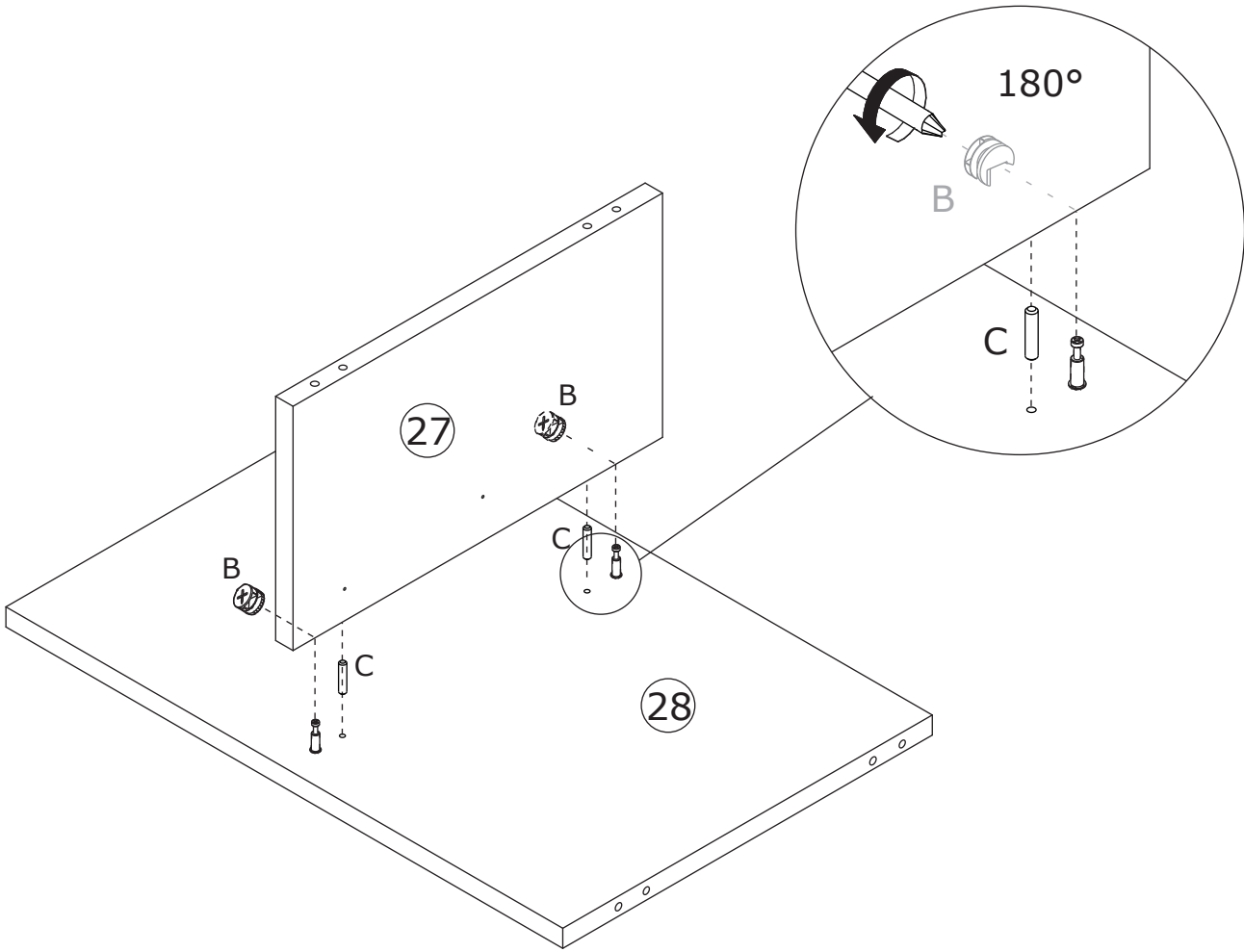
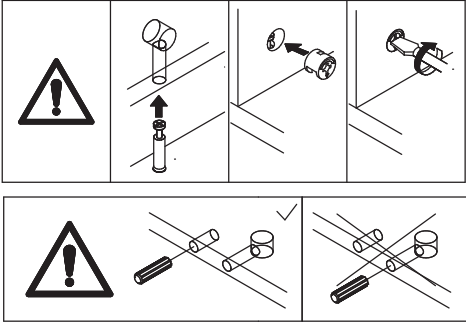
Screw eccentric rod(A) into board 1, 2, 11, 12, 13, 14 and 28 with a screwdriver as shown.



3



Connect board 27 to board 28 using wooden dowel(C), add cam lock(B) into board 27 and turn clockwise to tighten as shown.



4

B x 2

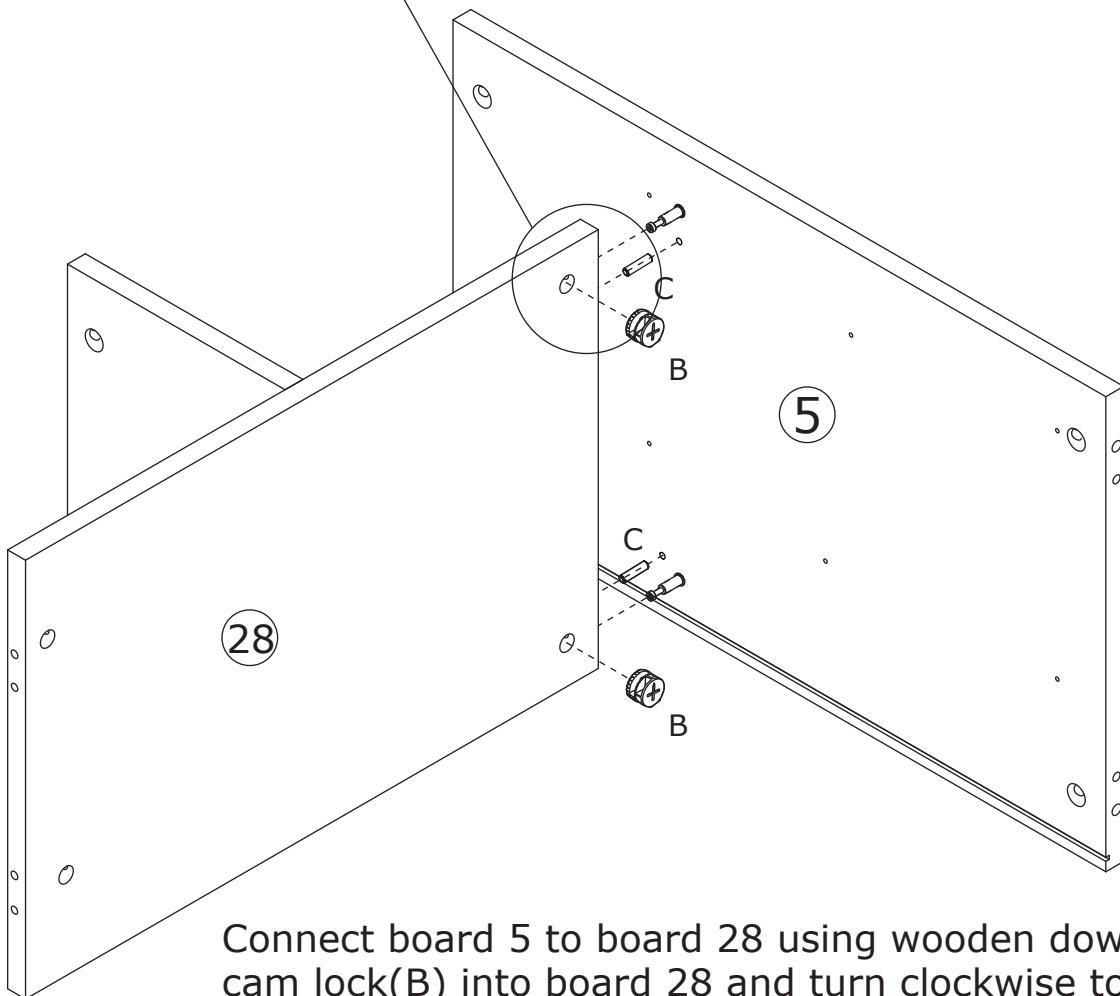
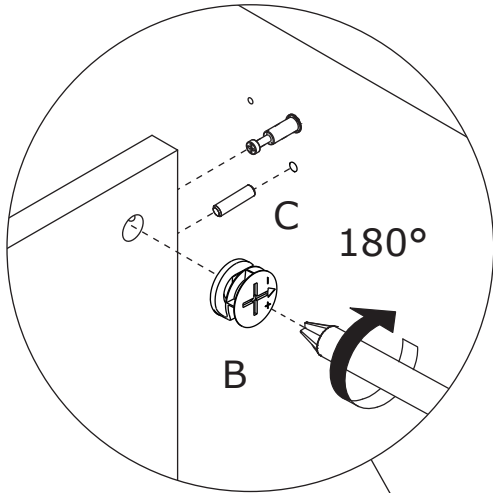
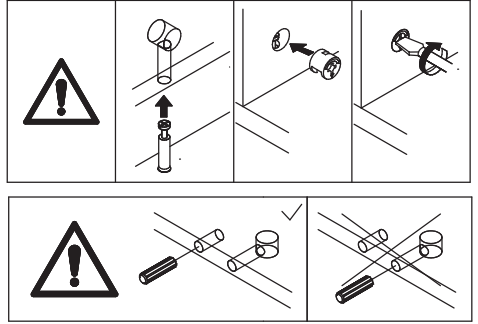
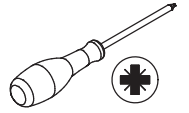


Ø15 x 11 mm

C x 2




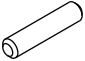
Ø8 x 30 mm

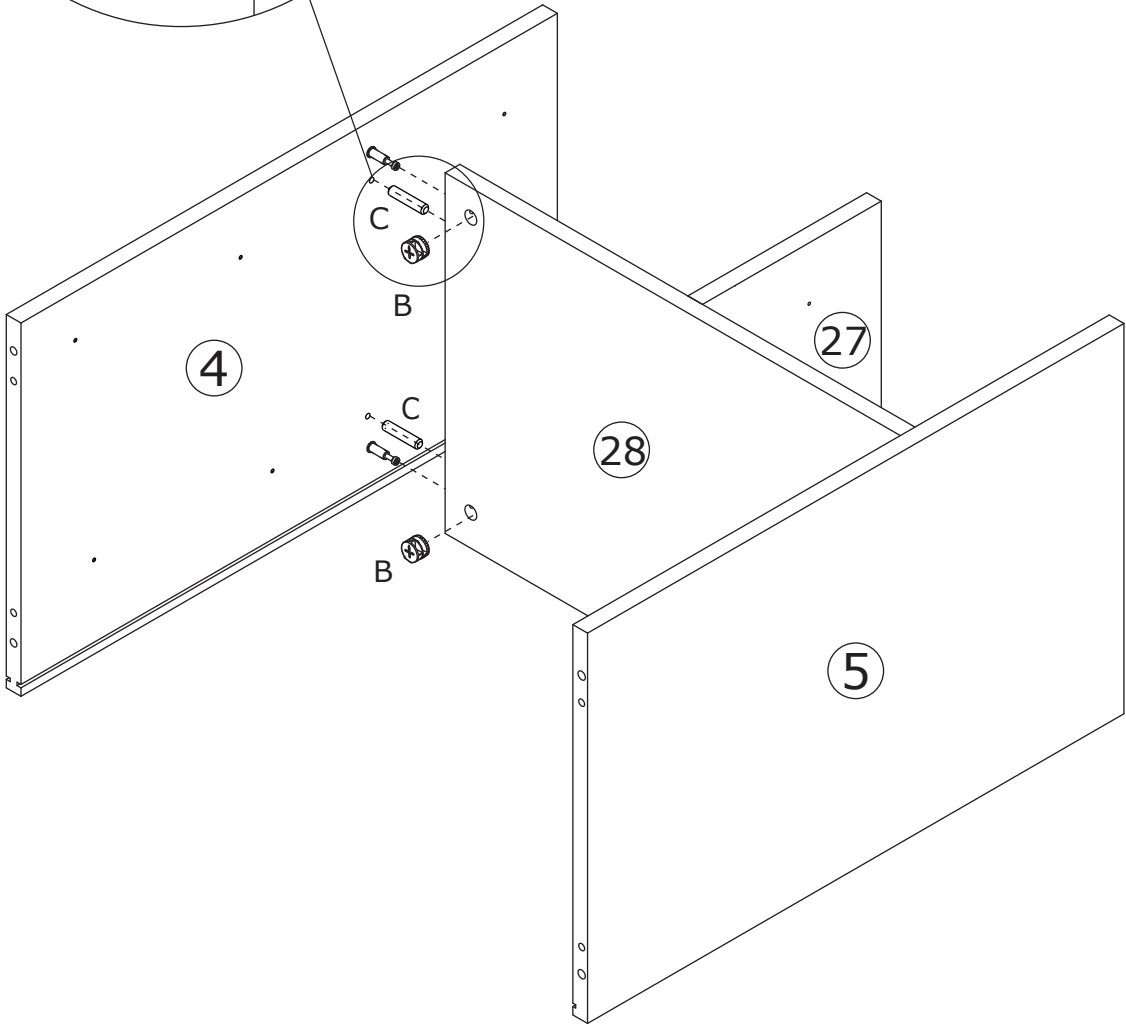
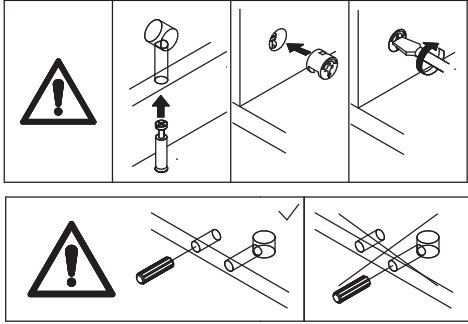
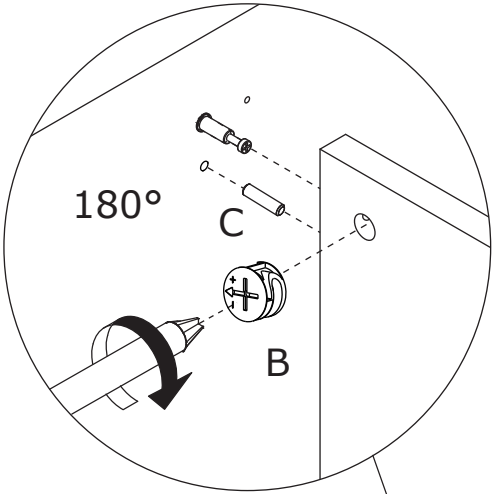
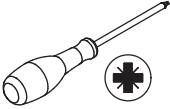


Connect board 5 to board 28 using wooden dowel(C), add cam lock(B) into board 28 and turn clockwise to tighten as shown.

5


B x 2

Ø15 x 11 mm

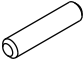
C x 2

Ø8 x 30 mm

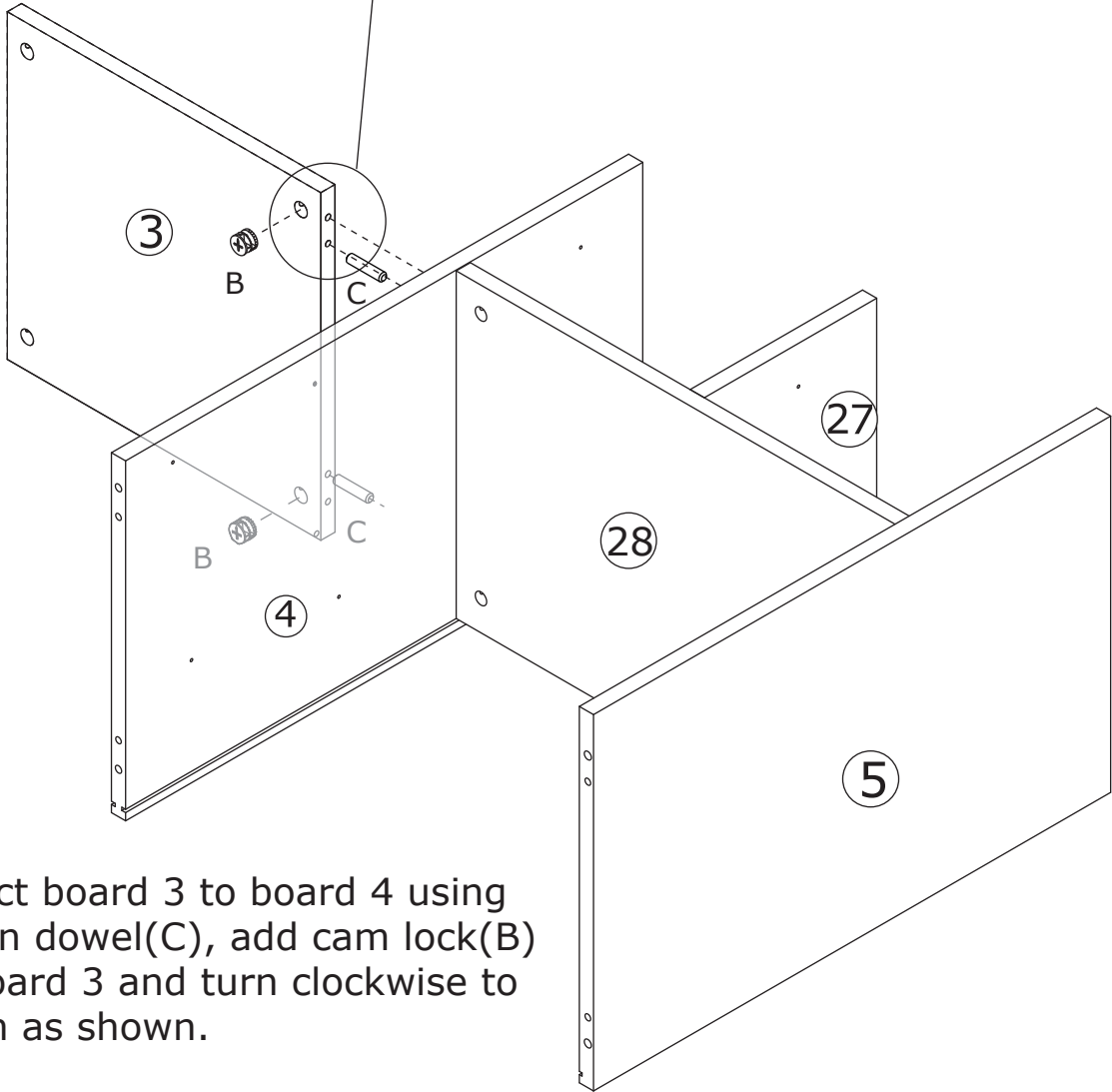
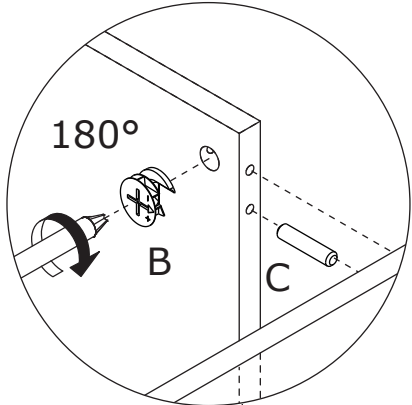
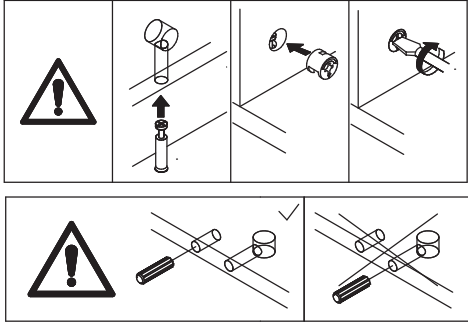
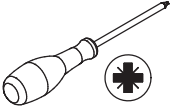


Connect board 4 to board 28 using wooden dowel(C), add cam lock(B) into board 28 and turn clockwise to tighten as shown.

6


B x 2

Ø15 x 11 mm

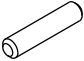
C x 2

Ø8 x 30 mm

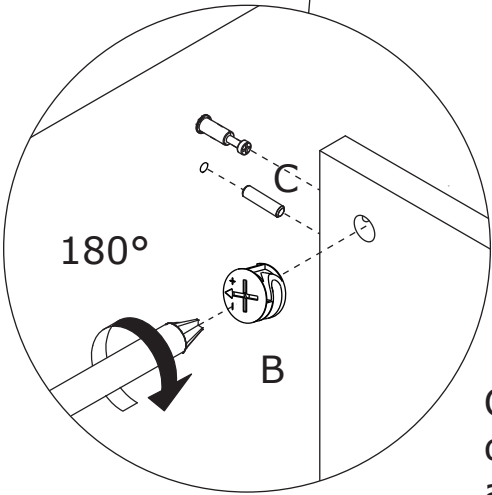
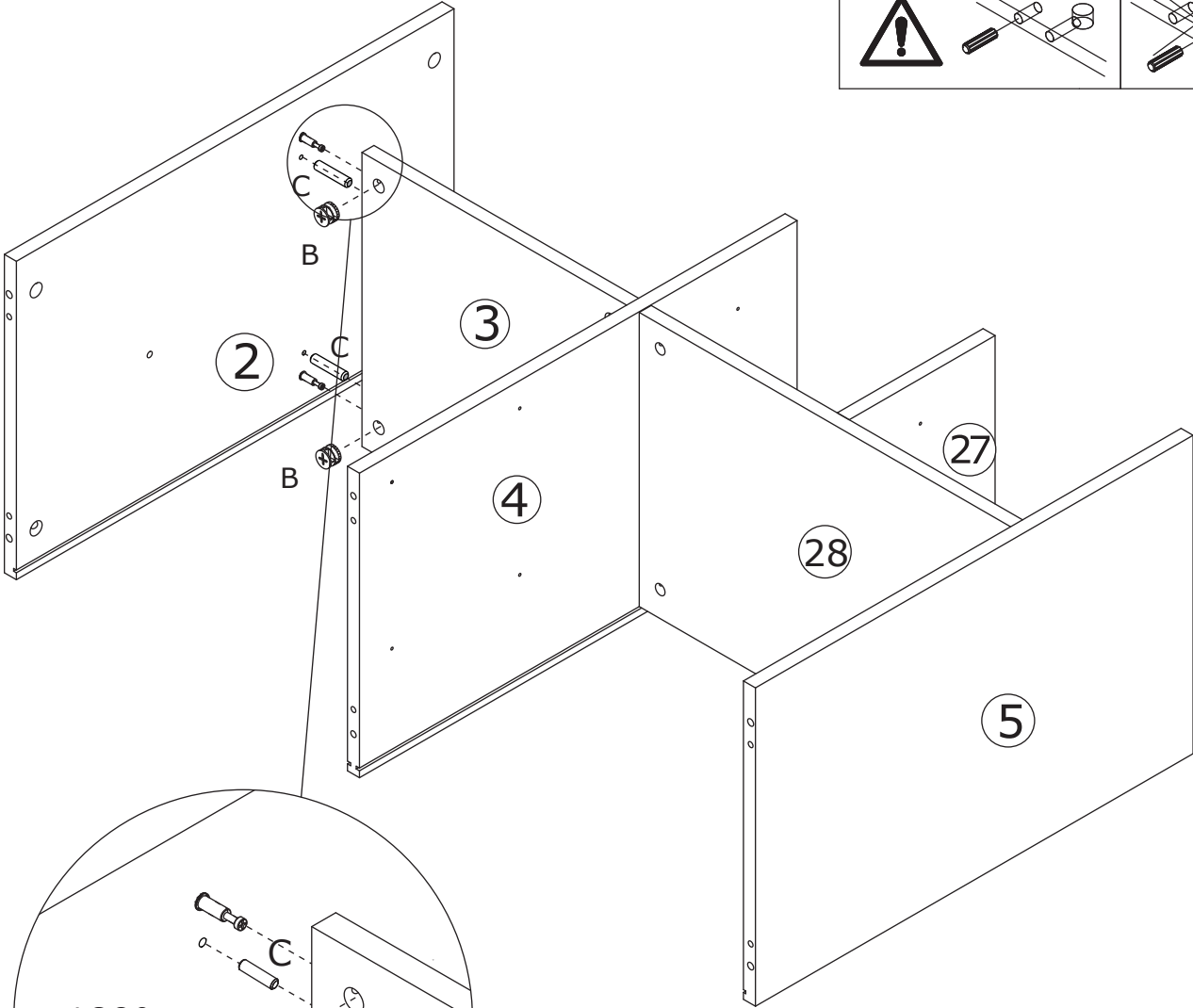
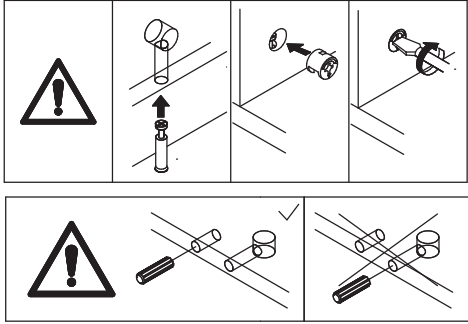
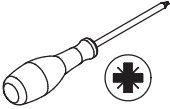


Connect board 3 to board 4 using wooden dowel(C), add cam lock(B) into board 3 and turn clockwise to tighten as shown.

7

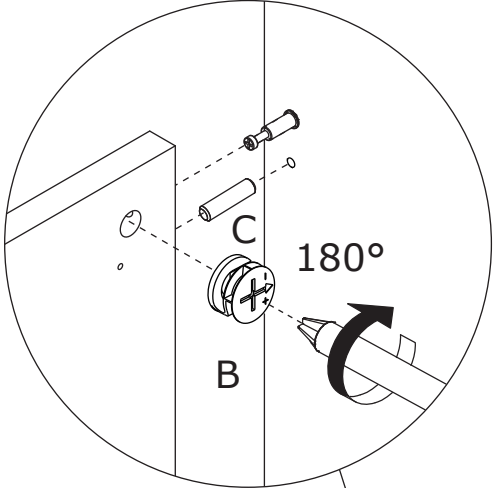
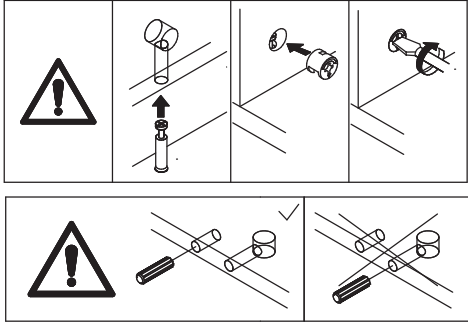
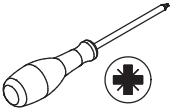
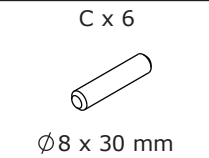
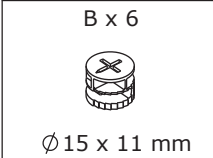
B x 2

Ø15 x 11 mm

C x 2

Ø8 x 30 mm

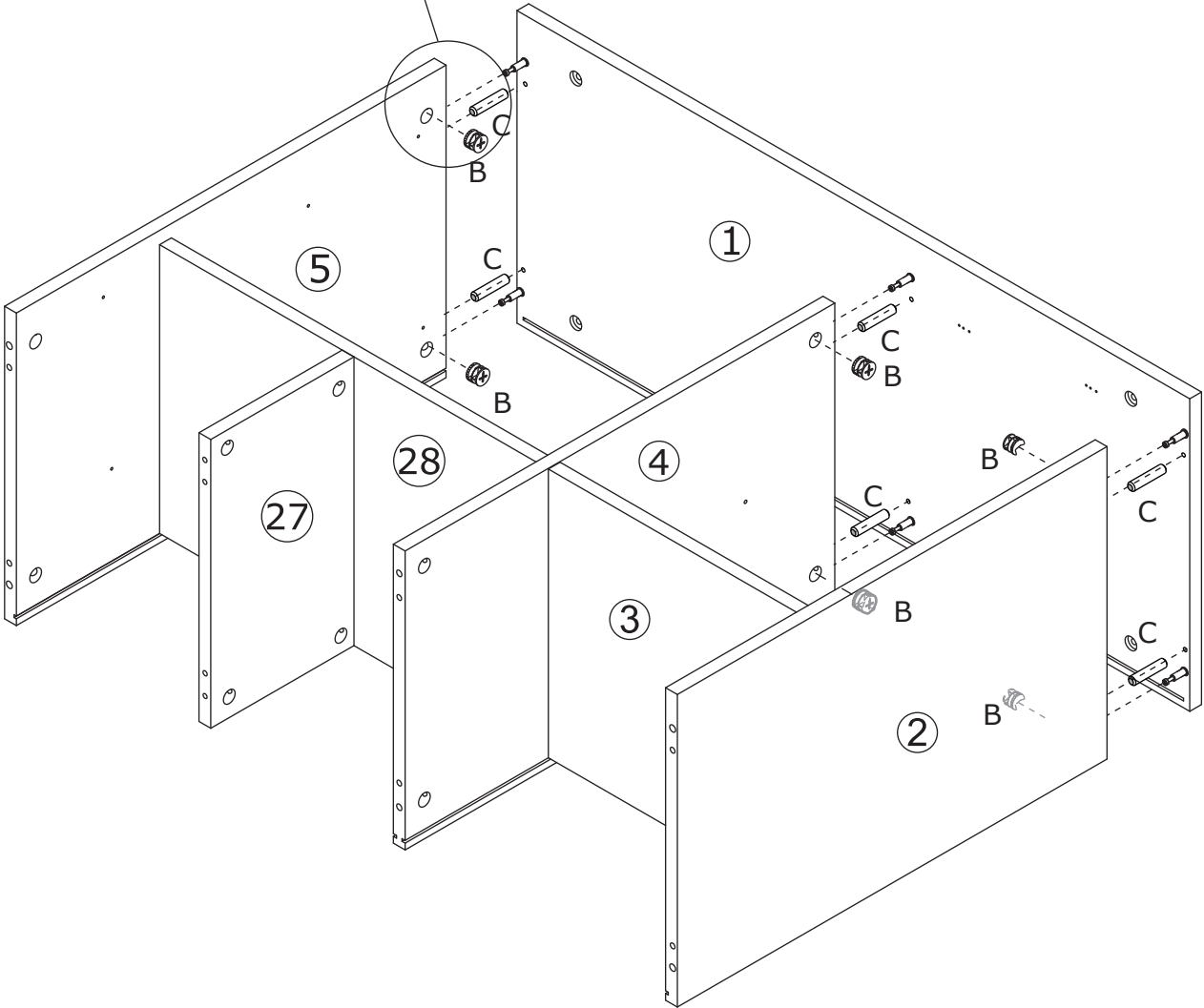


Connect board 2 to board 3 using wooden dowel(C), add cam lock(B) into board 3 and turn clockwise to tighten as shown.

8

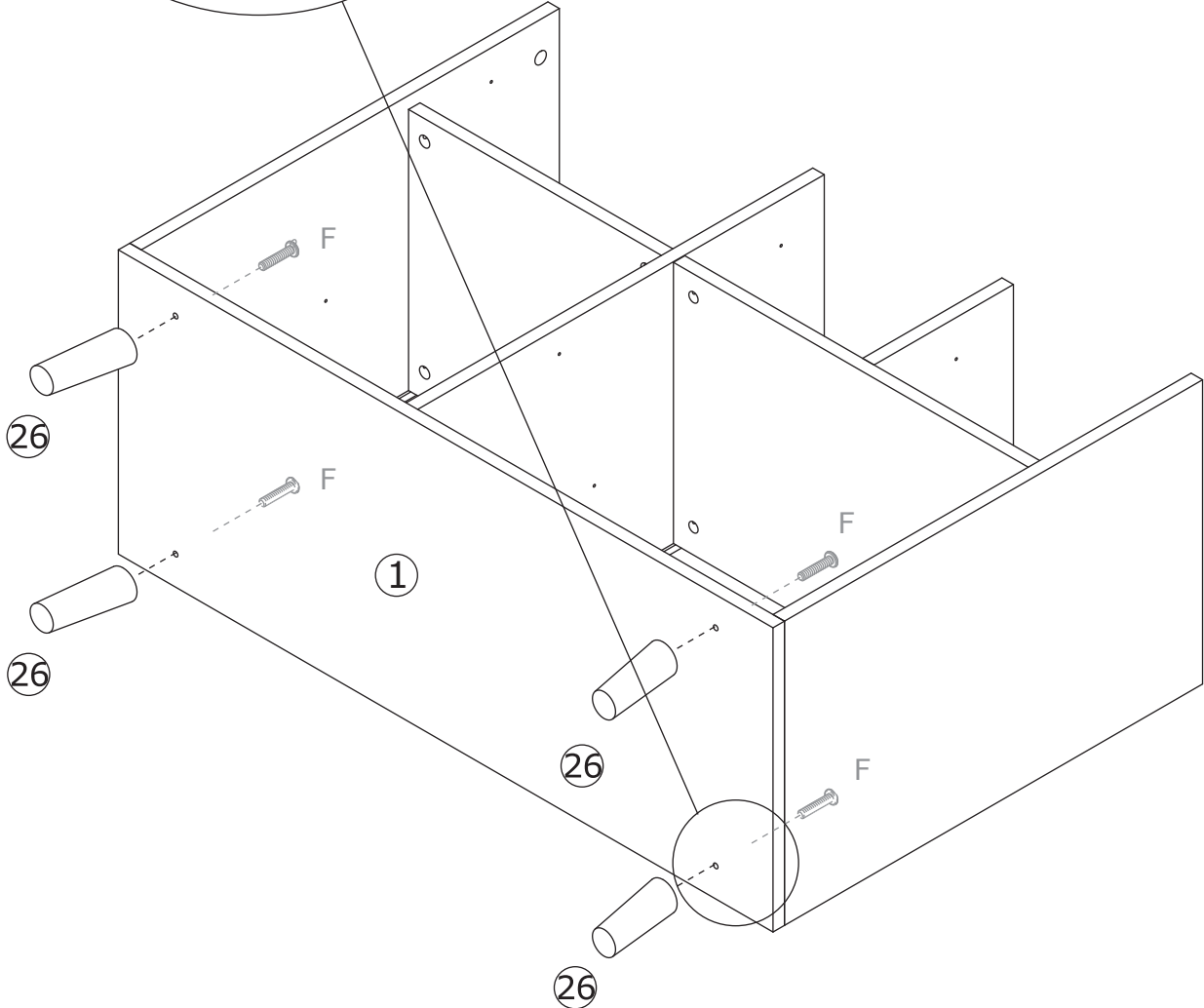
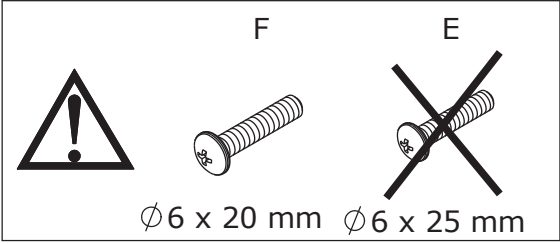
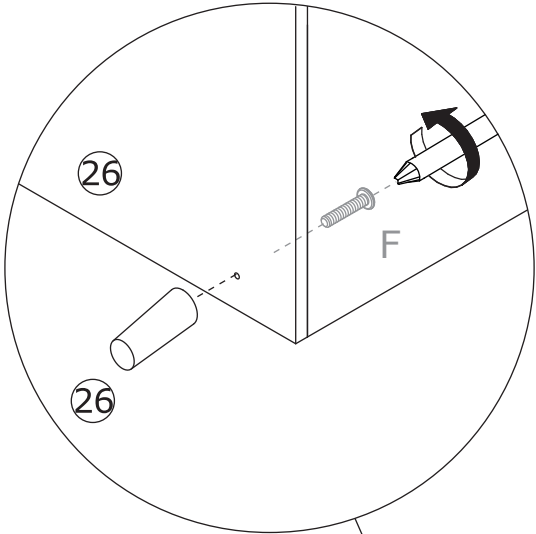


Connect board 1 to board 5, 4 and 2 using wooden dowel(C), add cam lock(B) into and turn clockwise to tighten as shown.



9

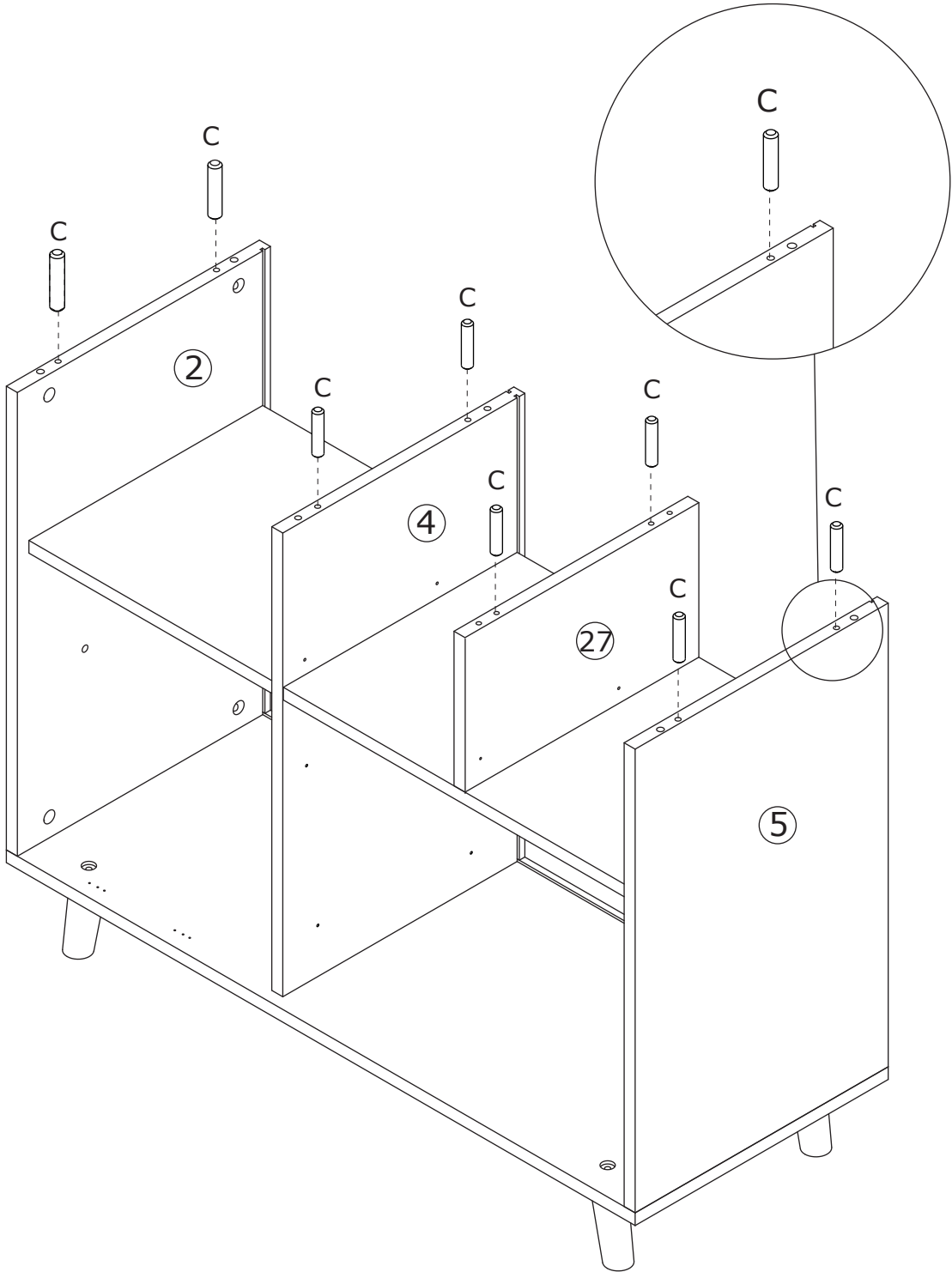
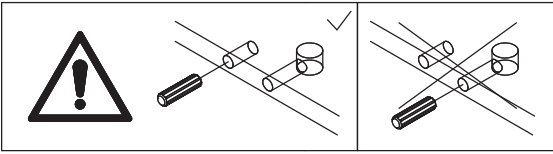
F x 4
Ø6 x 20 mm



Fix leg 26 to board 1 with screw(F) as shown.

10

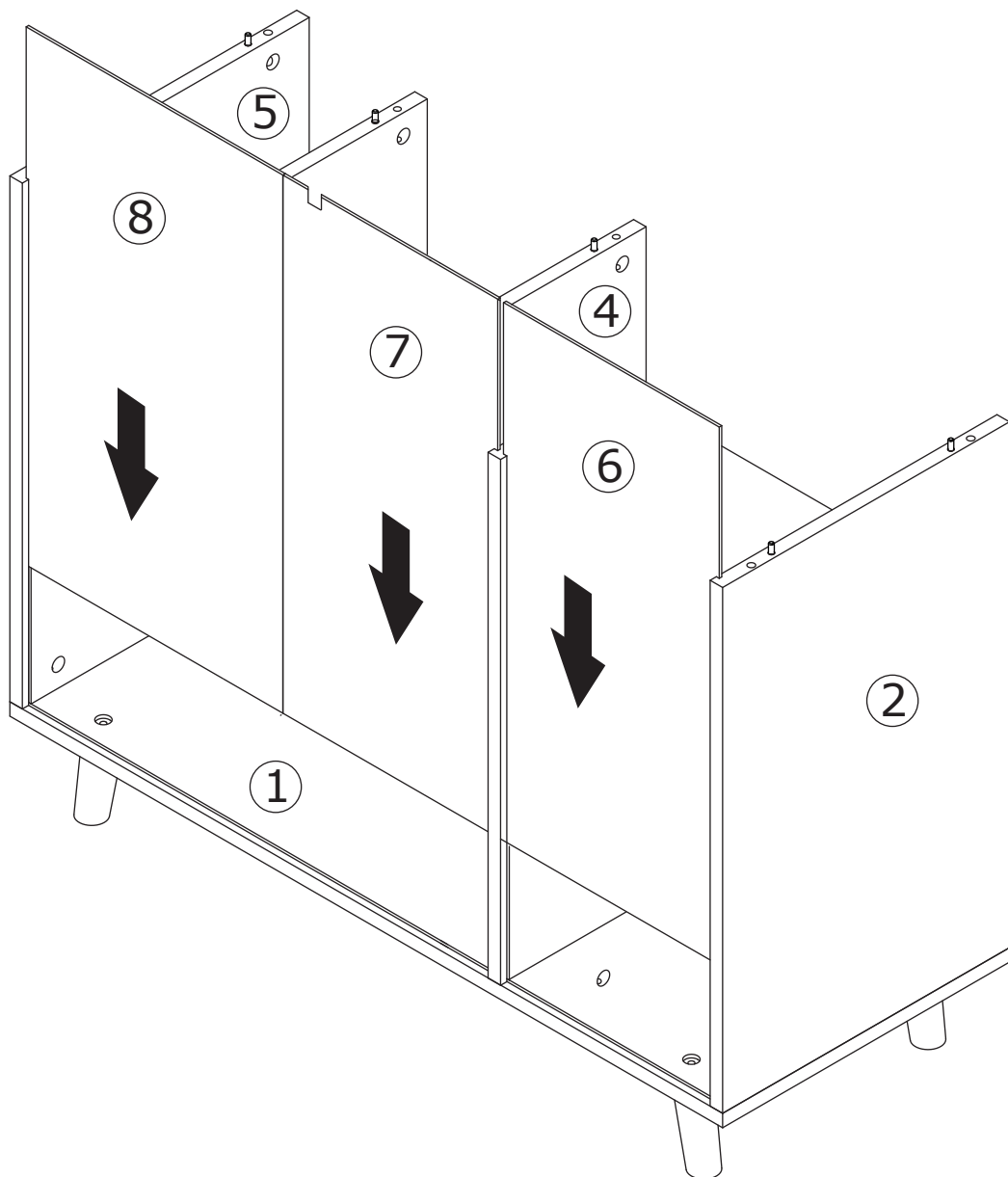
C x 8
Ø8 x 30 mm




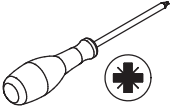

Insert wooden dowel(C) into board 2, 4, 5 and 27 as shown.

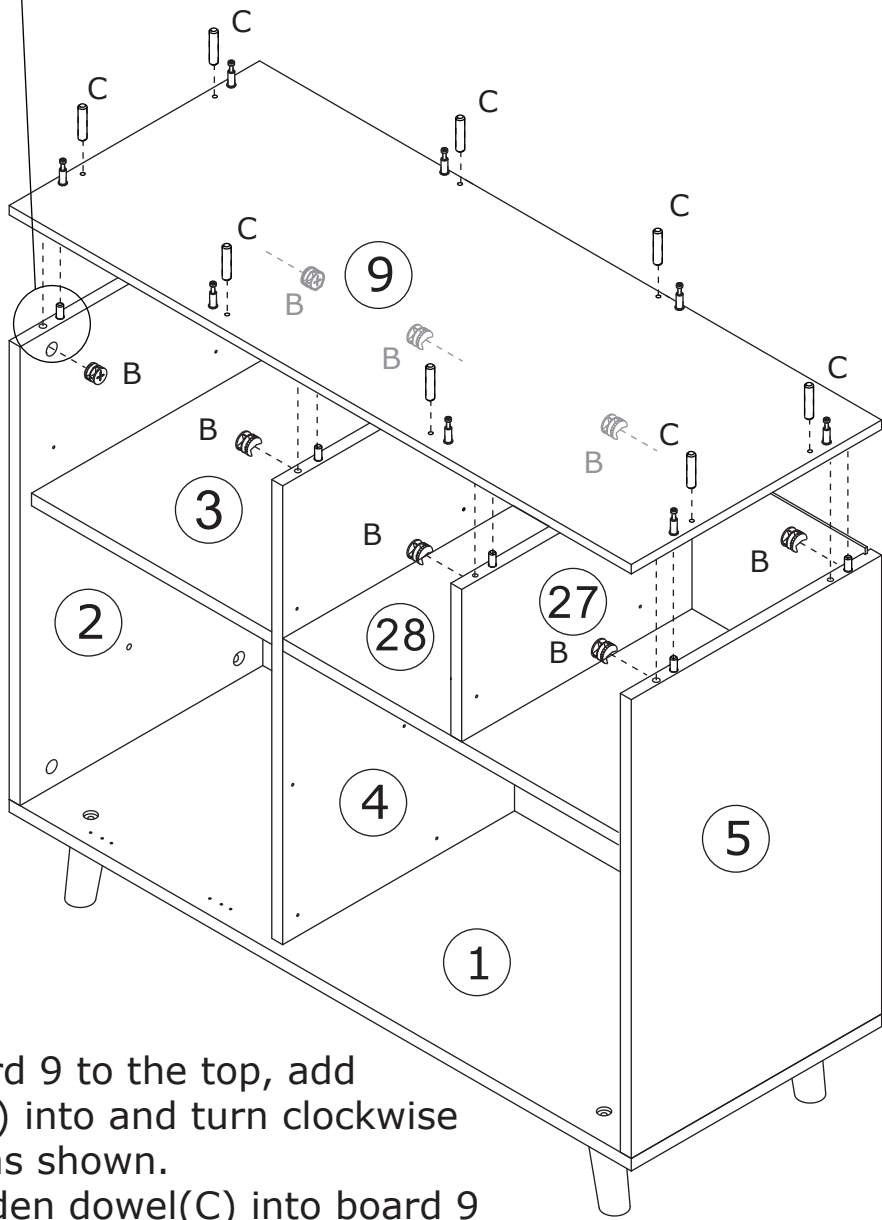
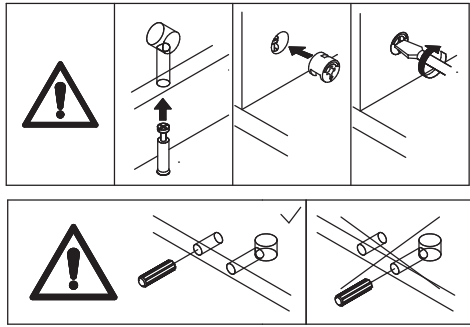
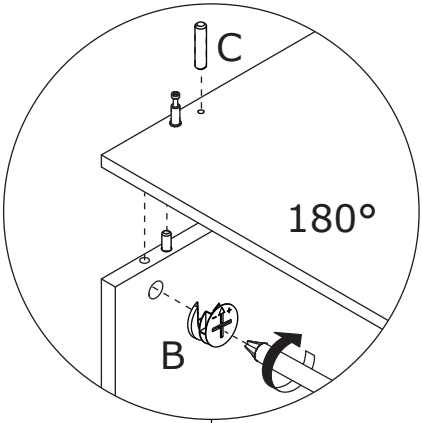
11

Insert back board 6, 7 and 8 along available grooves as shown.



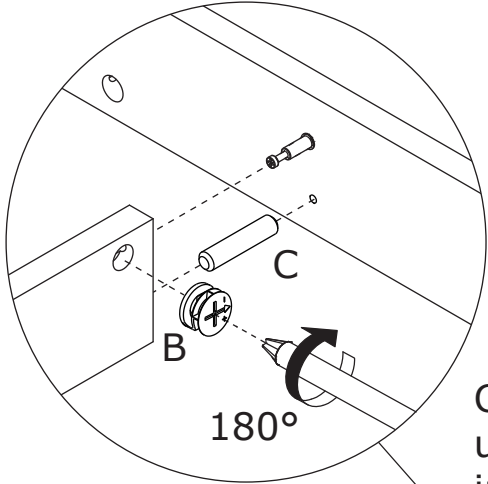
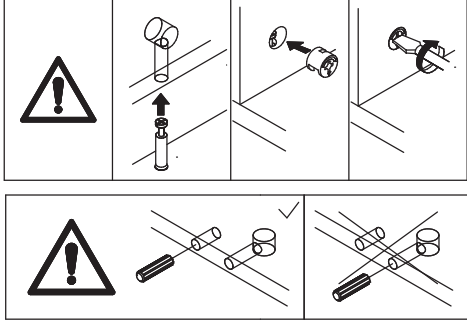
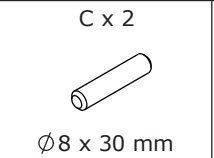
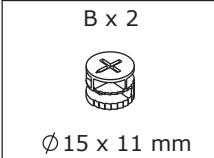
12

<p>B x 8</p>  <p>Ø15 x 11 mm</p>	<p>C x 8</p>  <p>Ø8 x 30 mm</p>	 
---	--	---

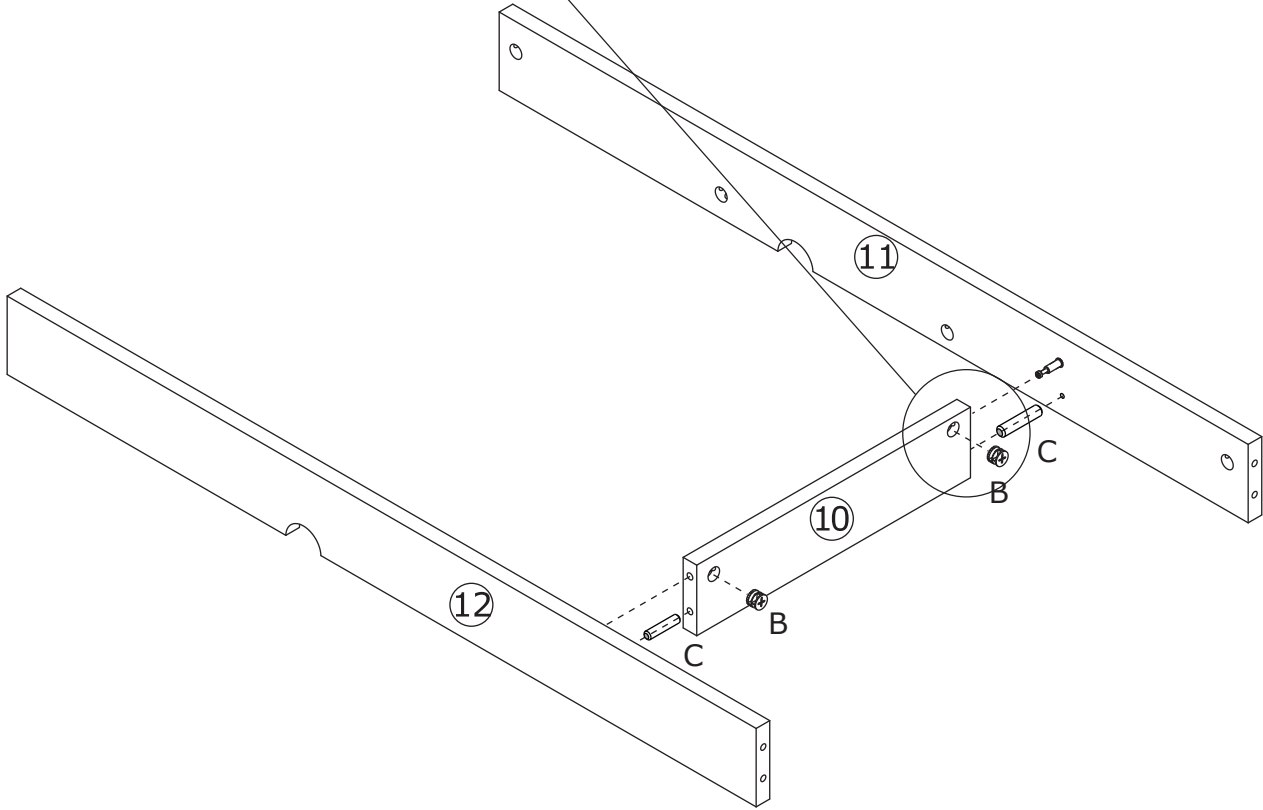


Atatch board 9 to the top, add cam lock(B) into and turn clockwise to tighten as shown. Insert wooden dowel(C) into board 9 as shown.

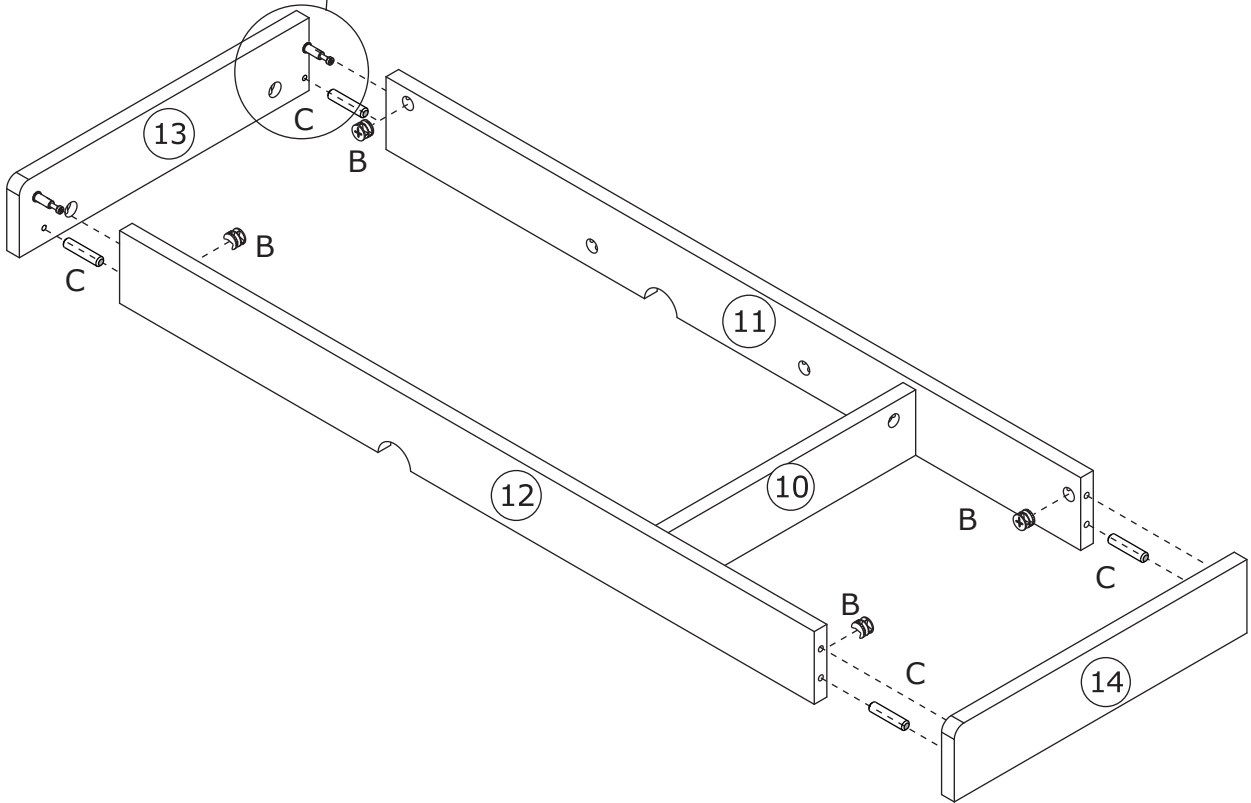
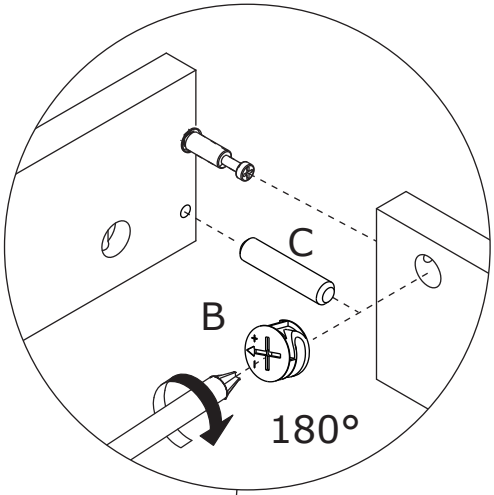
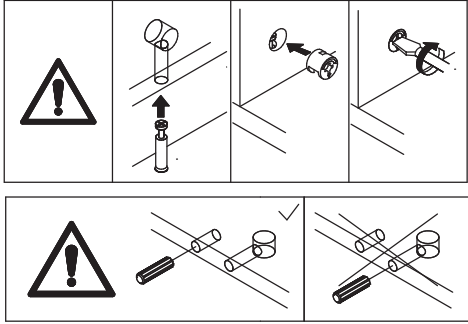
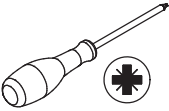
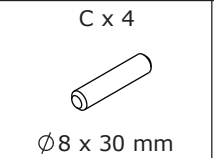
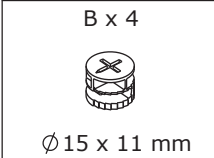
13



Connect board 10 to board 11 and 12 using wooden dowel(C), add cam lock(B) into and turn clockwise to tighten as shown.




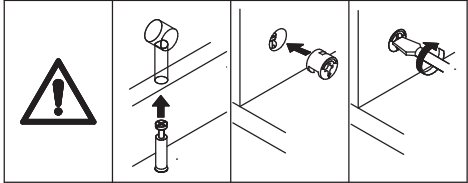
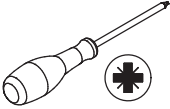
14



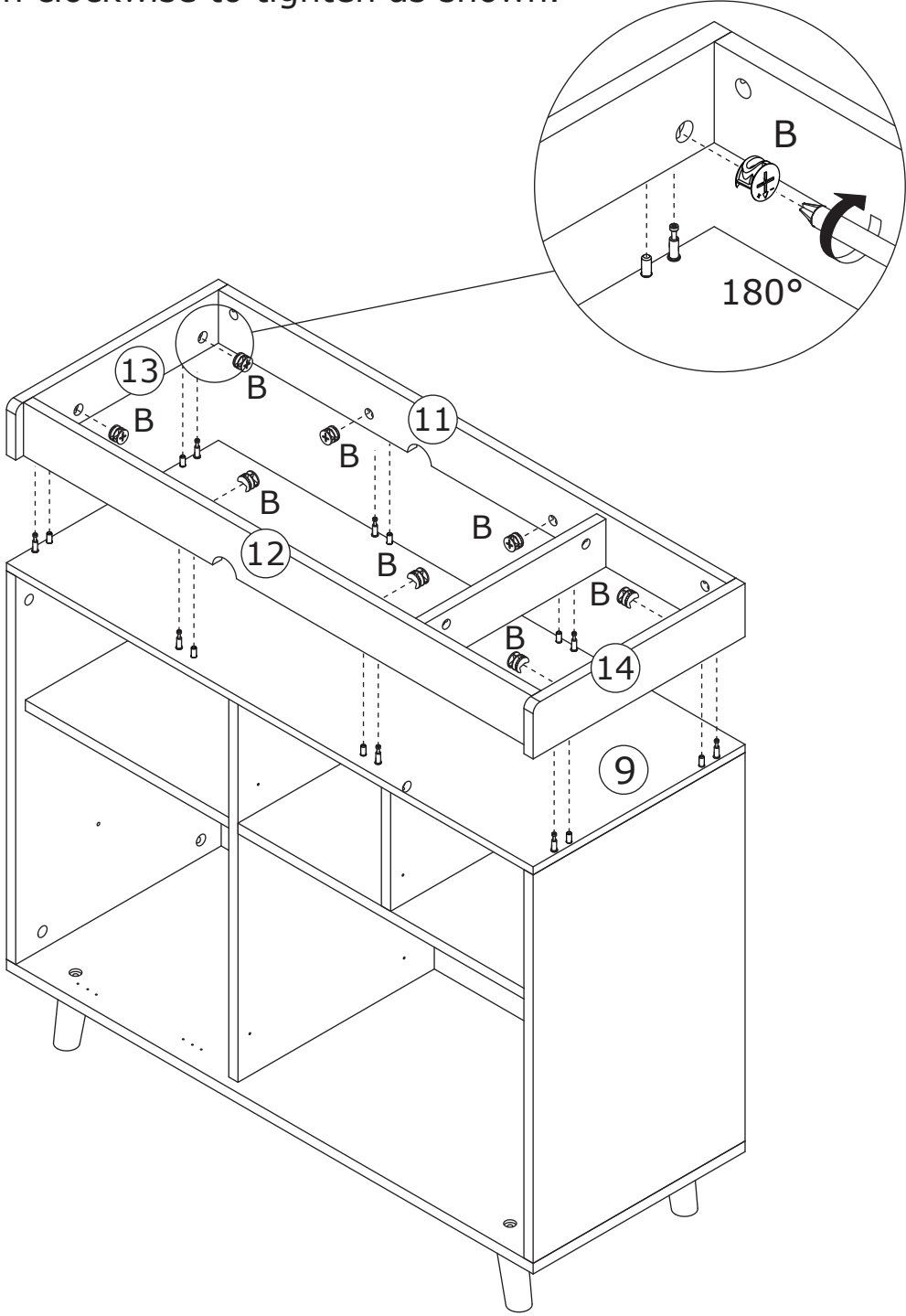
Connect board 13 and 14 to board 1 and 12 using wooden dowel(C), add cam lock(B) into and turn clockwise to tighten as shown.

15

B x 8

Ø15 x 11 mm



Attach the part to board 9, add cam lock(B) into and turn clockwise to tighten as shown.

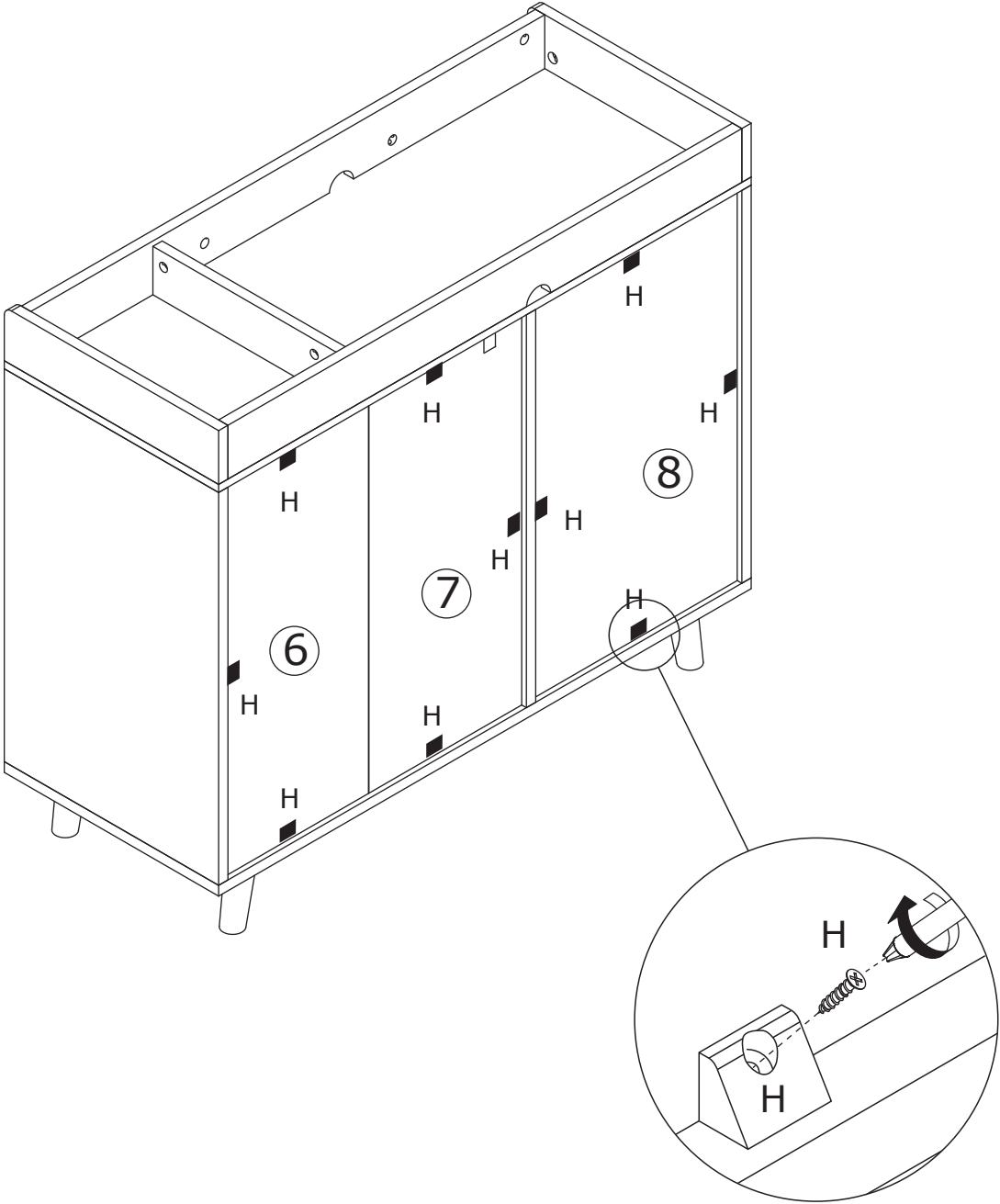


16

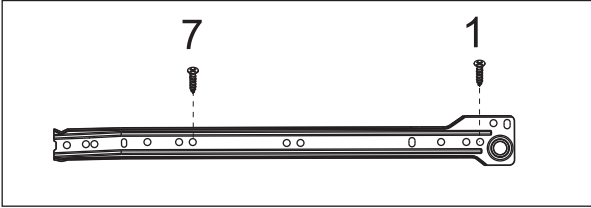
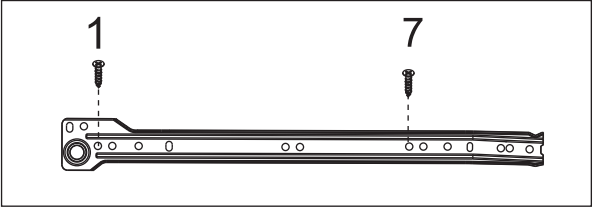
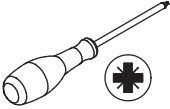
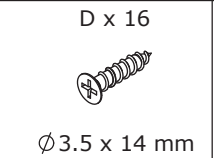
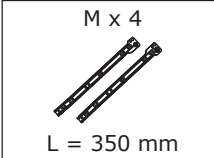
H x 10
Ø3 x 10 mm



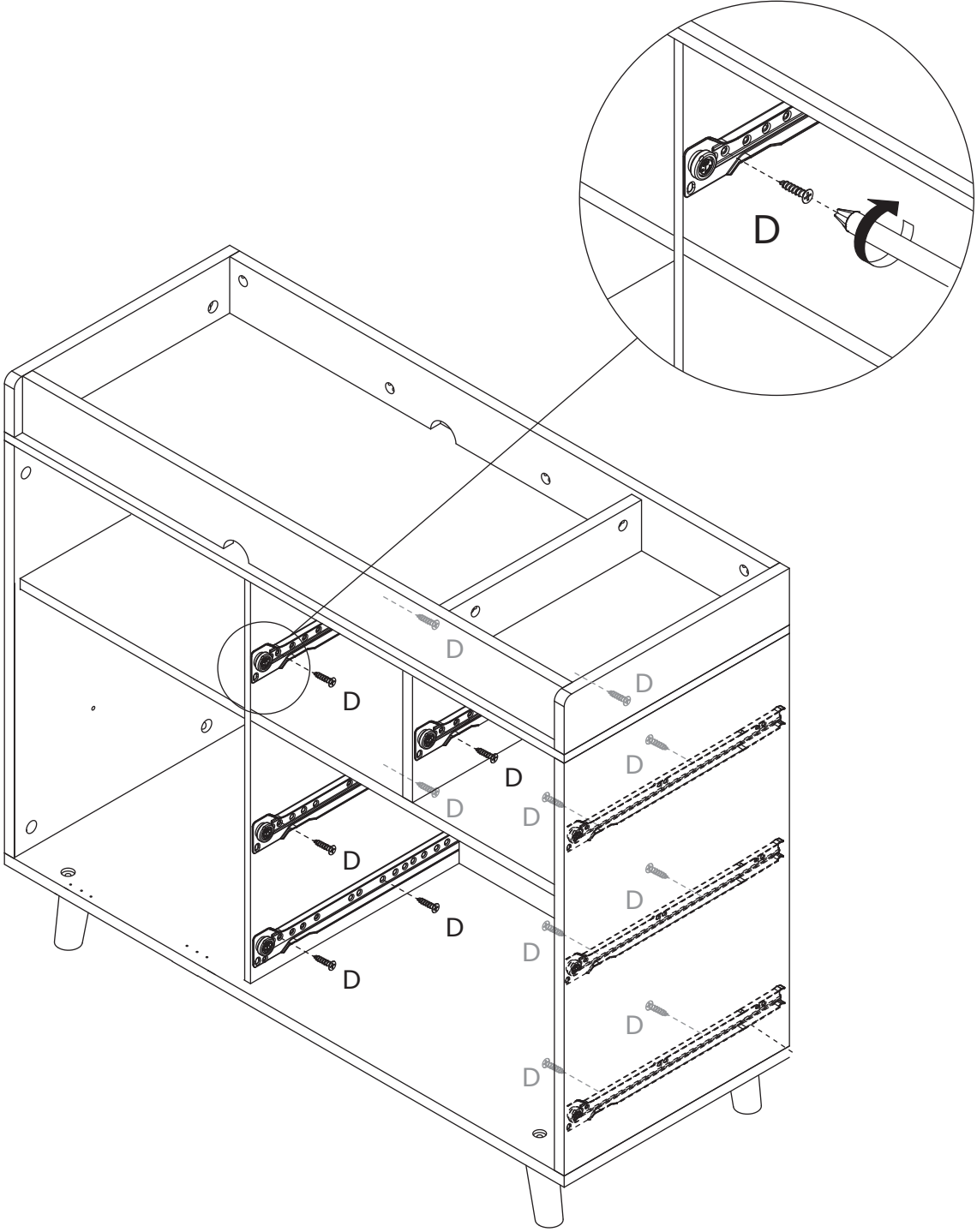
Insert buckle(H) into back slots and fix to tighten as shown.



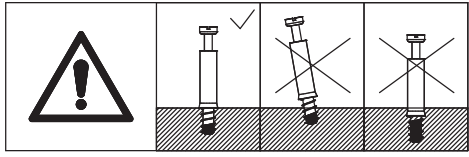
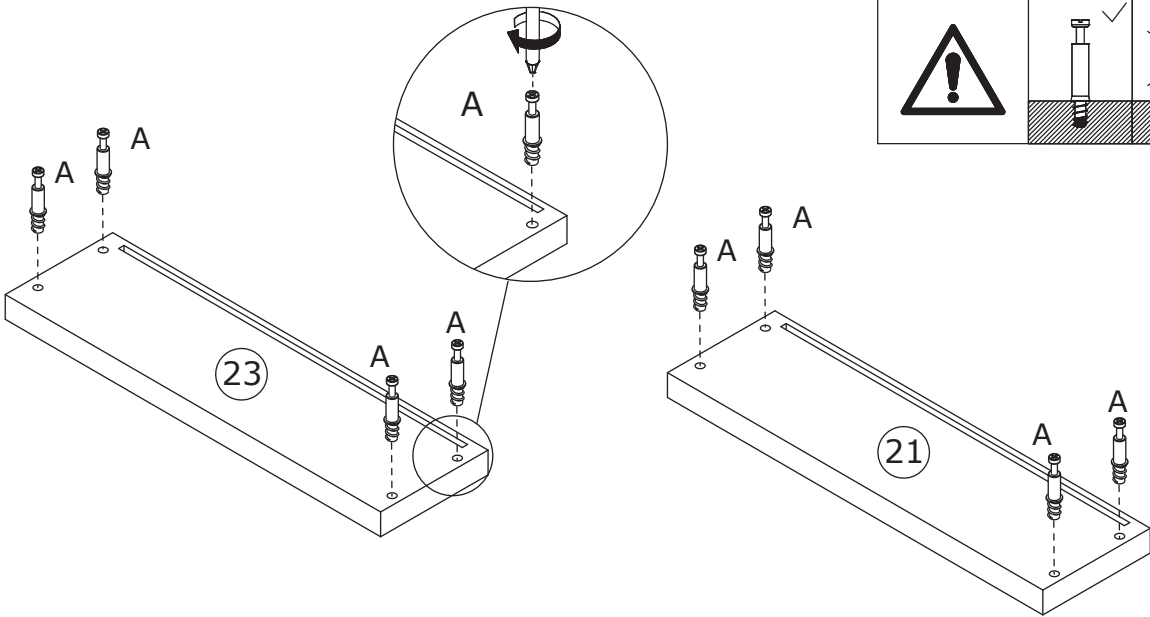
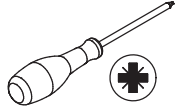
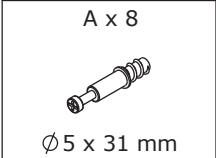
17



Fix slide rail(M) to board 4, 27 and 5 with screw(D) as shown.

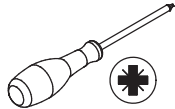
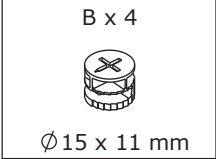


18

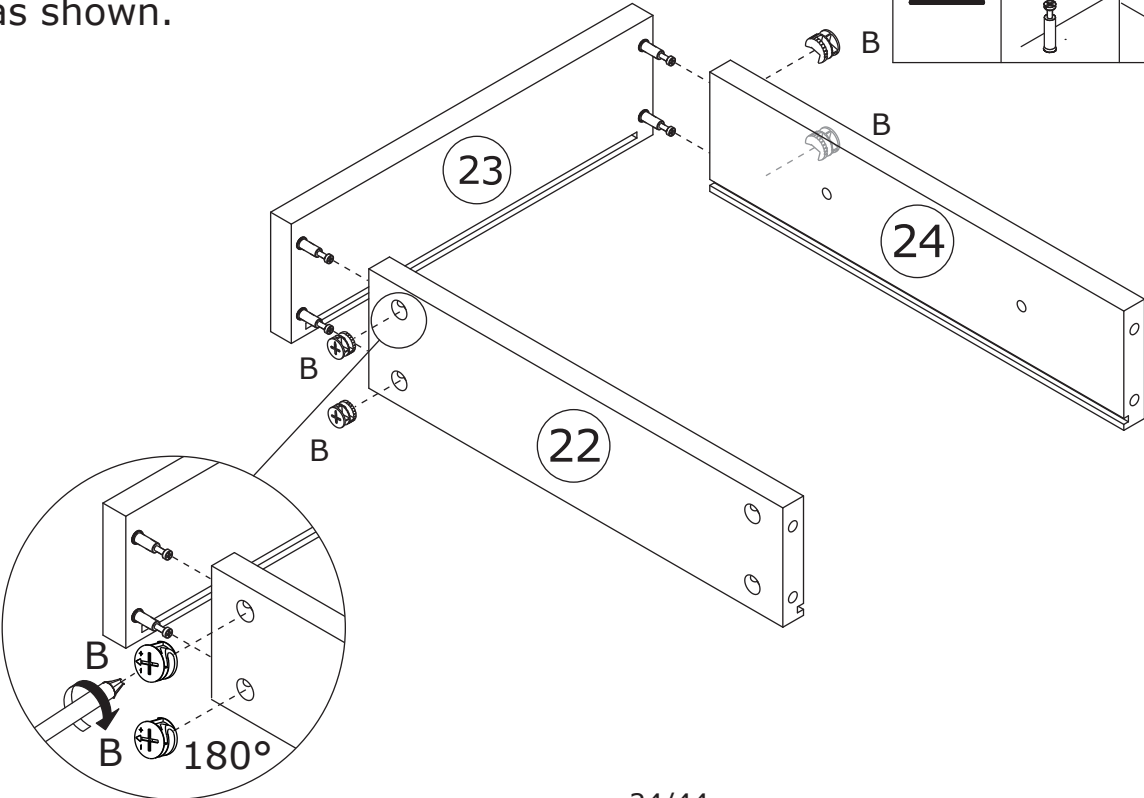
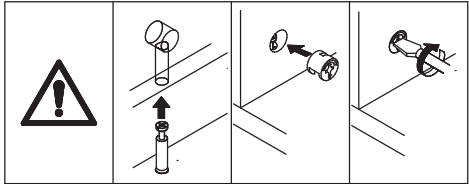


Screw eccentric rod(A) into board 21 and 23 as shown.

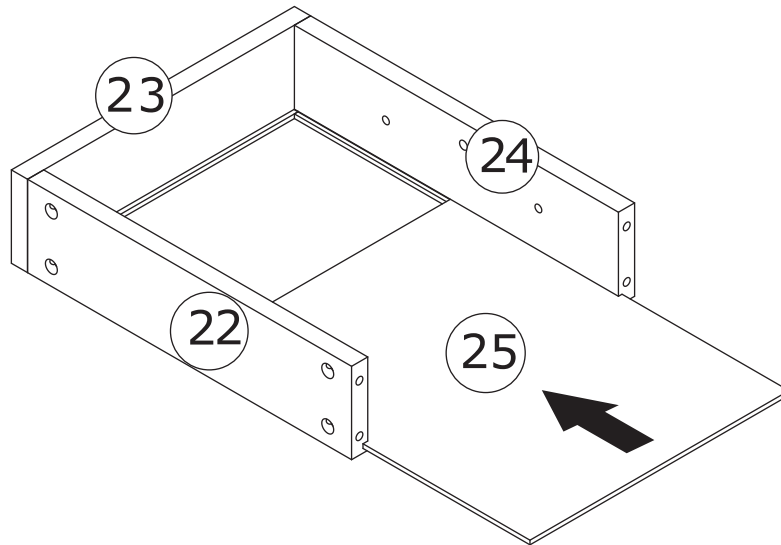
19



Attach board 22 and 24 to board 23, add cam lock(B) into and turn clockwise to tighten as shown.



20



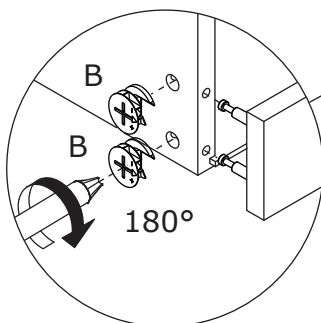
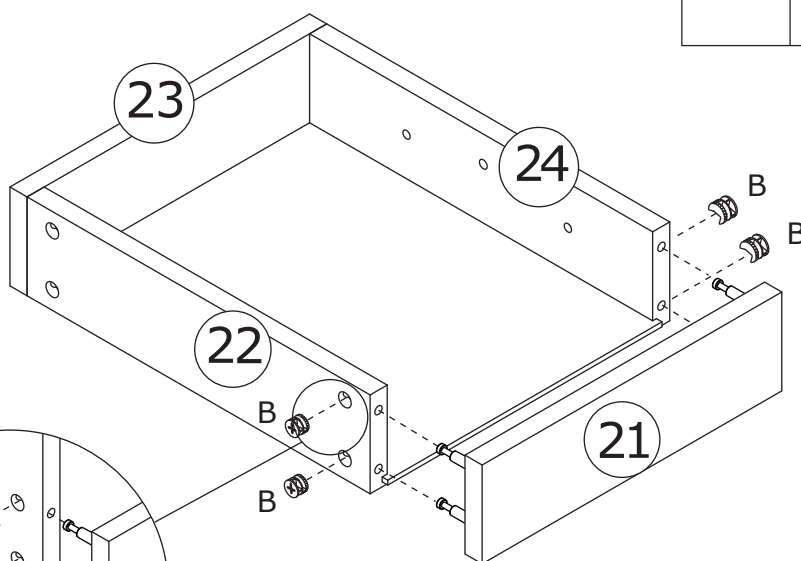
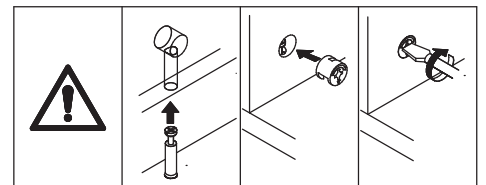
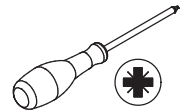
Insert bottom board 25 along grooves as shown.

21

B x 4

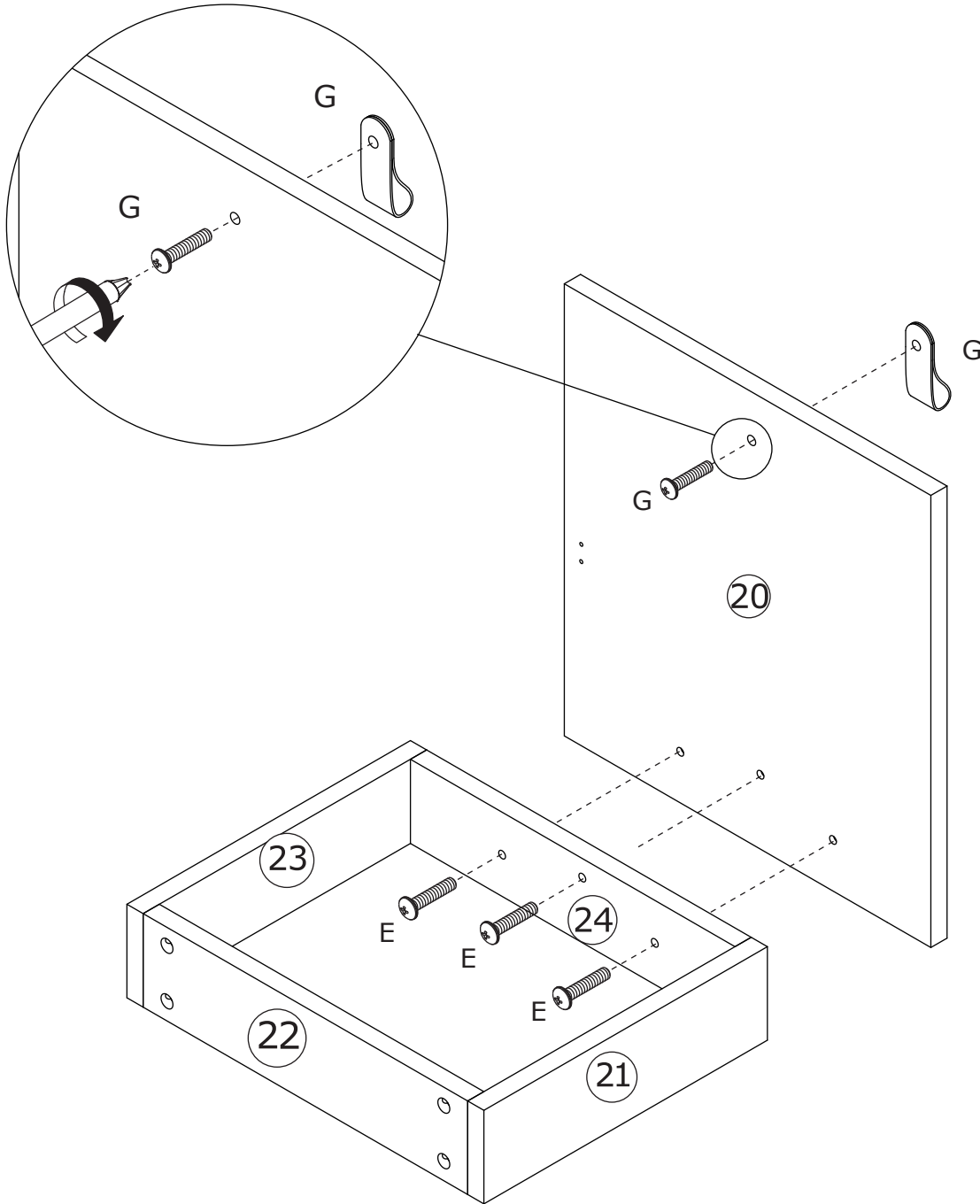
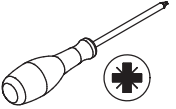
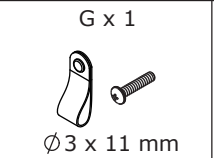
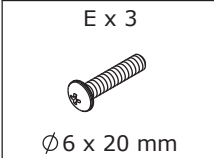


Ø15 x 11 mm



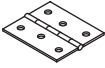
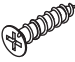
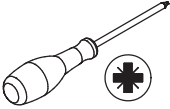
Attach board 21 to board 22 and 24, add cam lock(B) into and turn clockwise to tighten as shown.

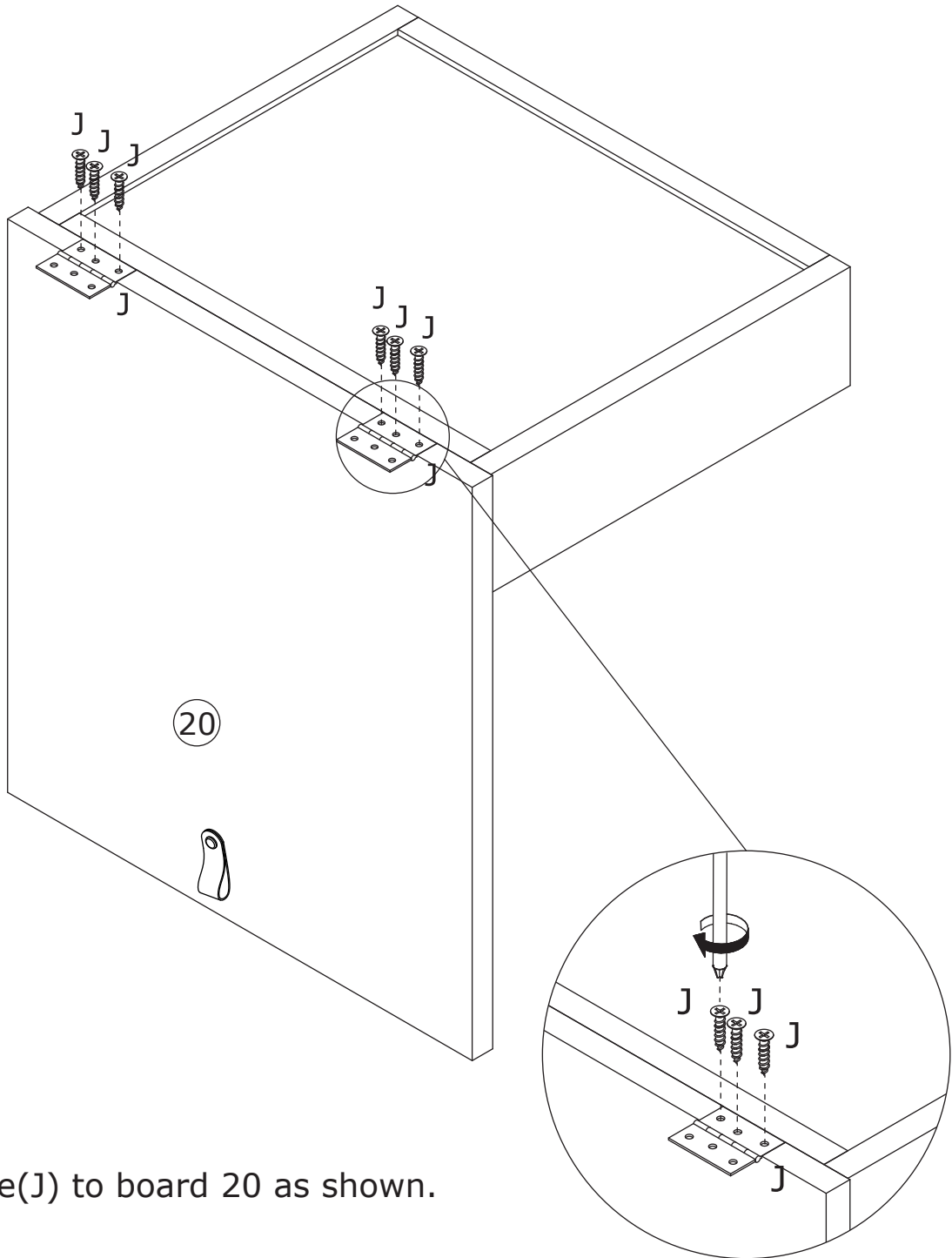
22



Fix handle(G) to board 20 as shown.
Fix board 20 to board 24 with screw(E) as shown.

23

<p>J x 2</p> 	<p>J x 6</p>  <p>Ø3 x 10 mm</p>	
--	--	---



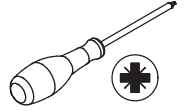
Fix hinge(J) to board 20 as shown.

24

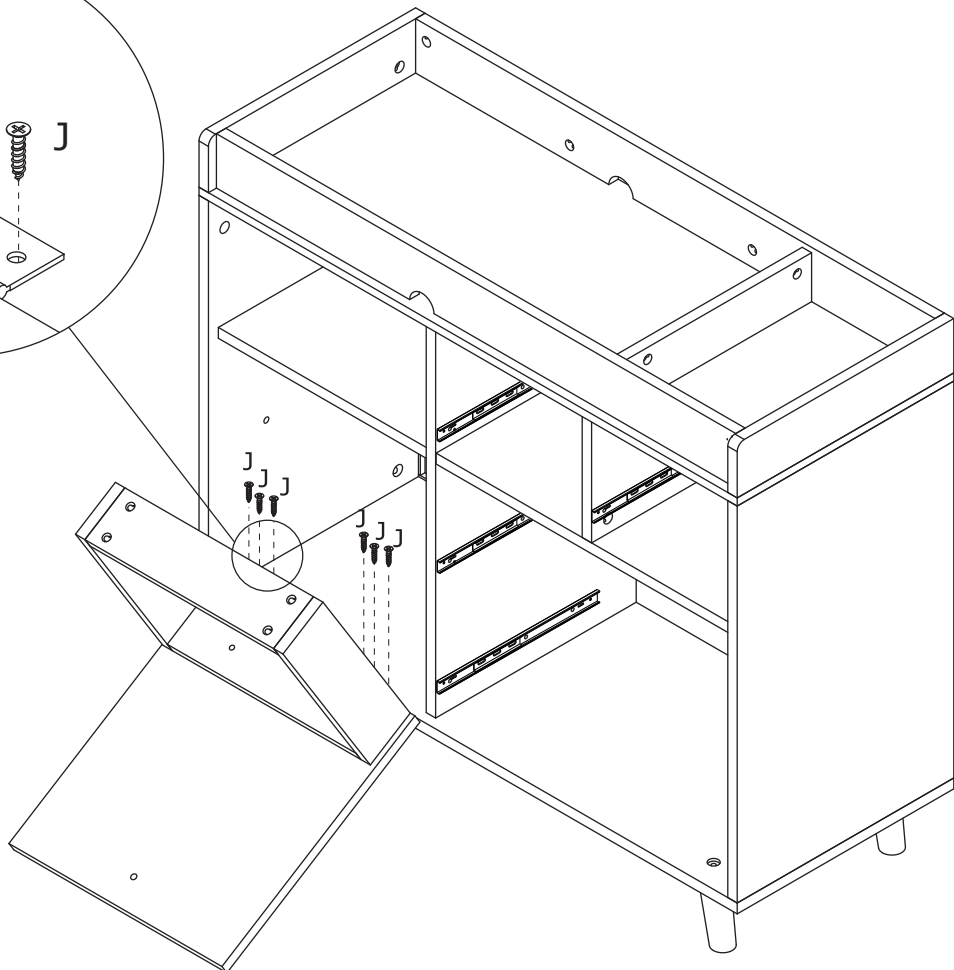
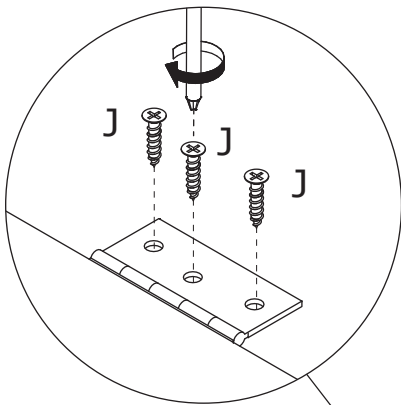
J x 6



Ø3 x 10 mm



Assemble the part to the cabinet by fixing hinge(J) as shown.

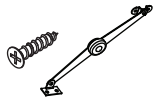


25

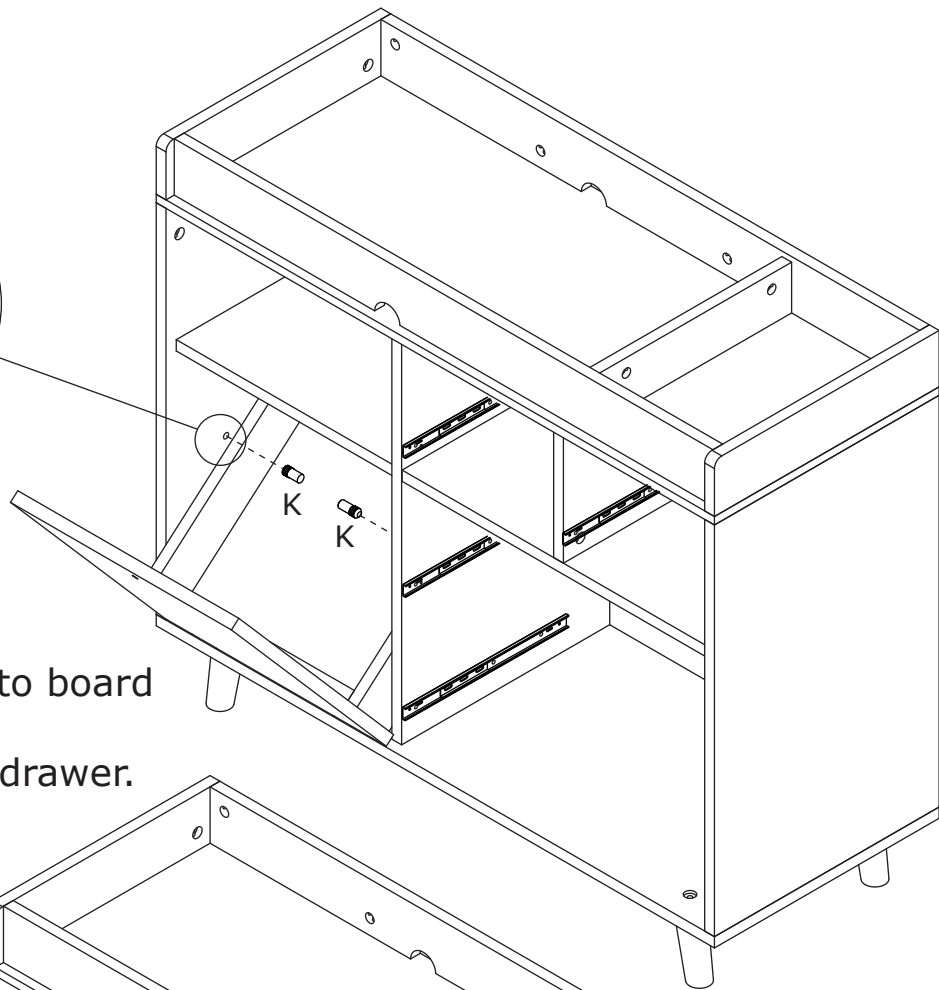
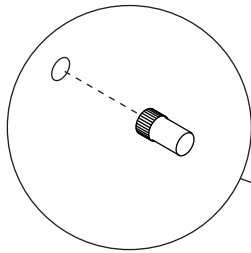
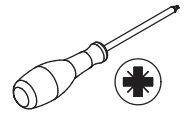
K x 2



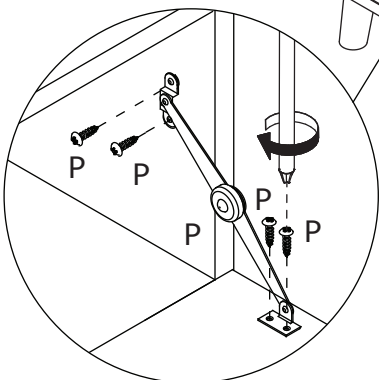
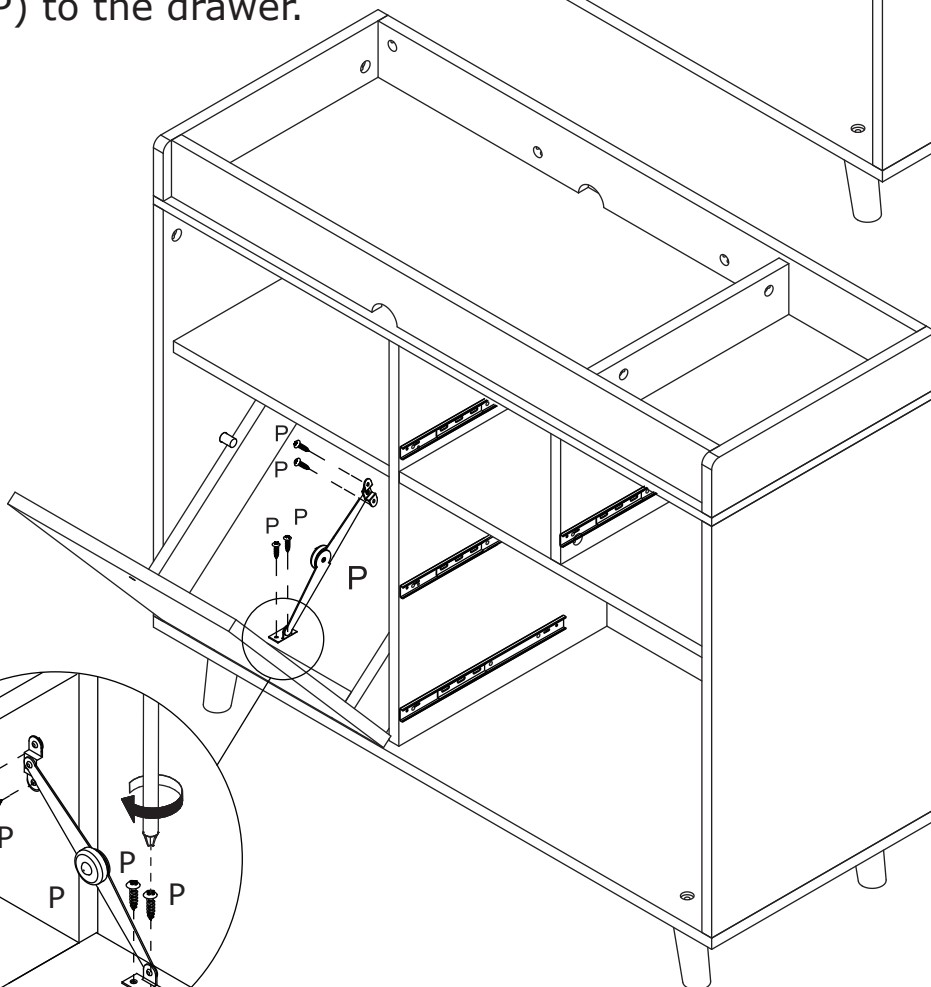
P x 2



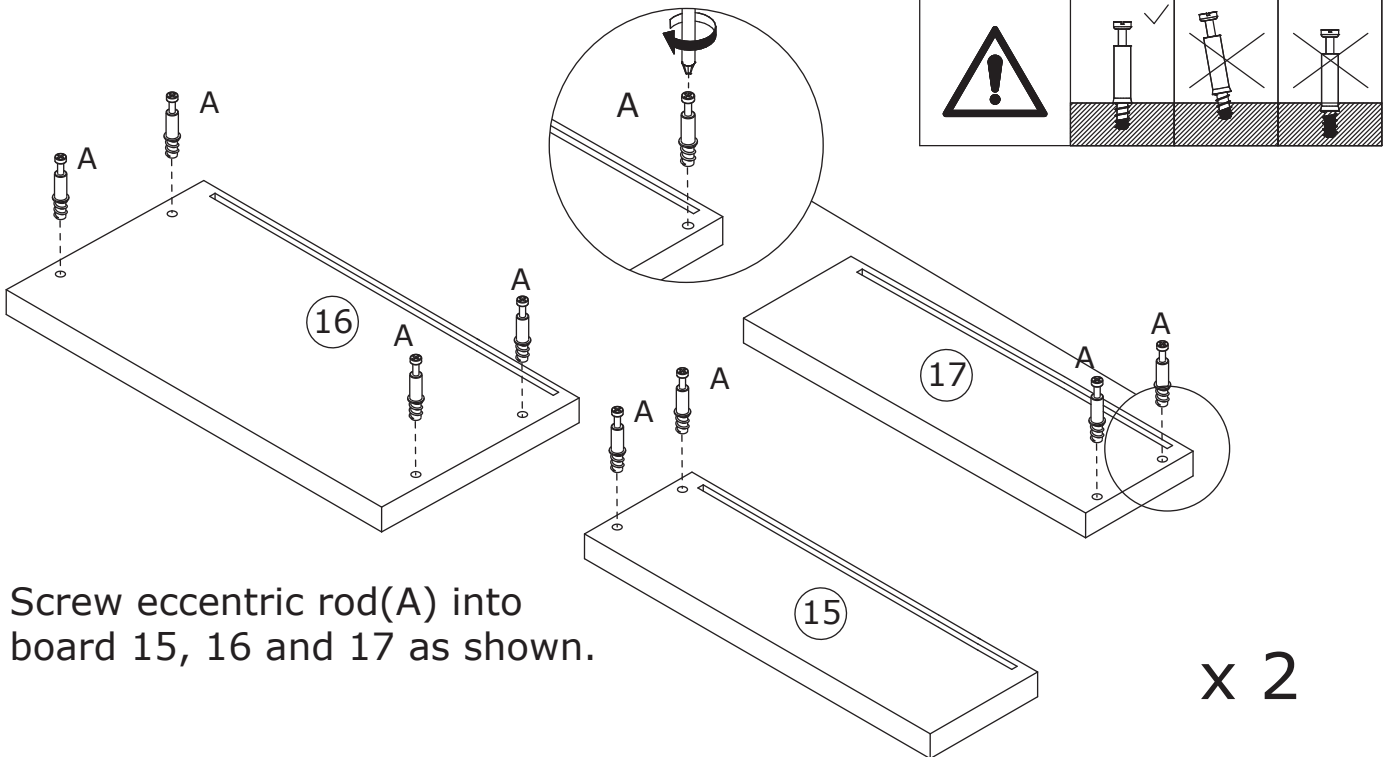
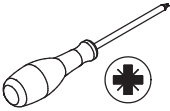
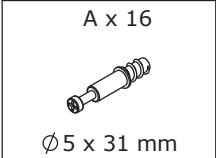
Ø3 x 10 mm



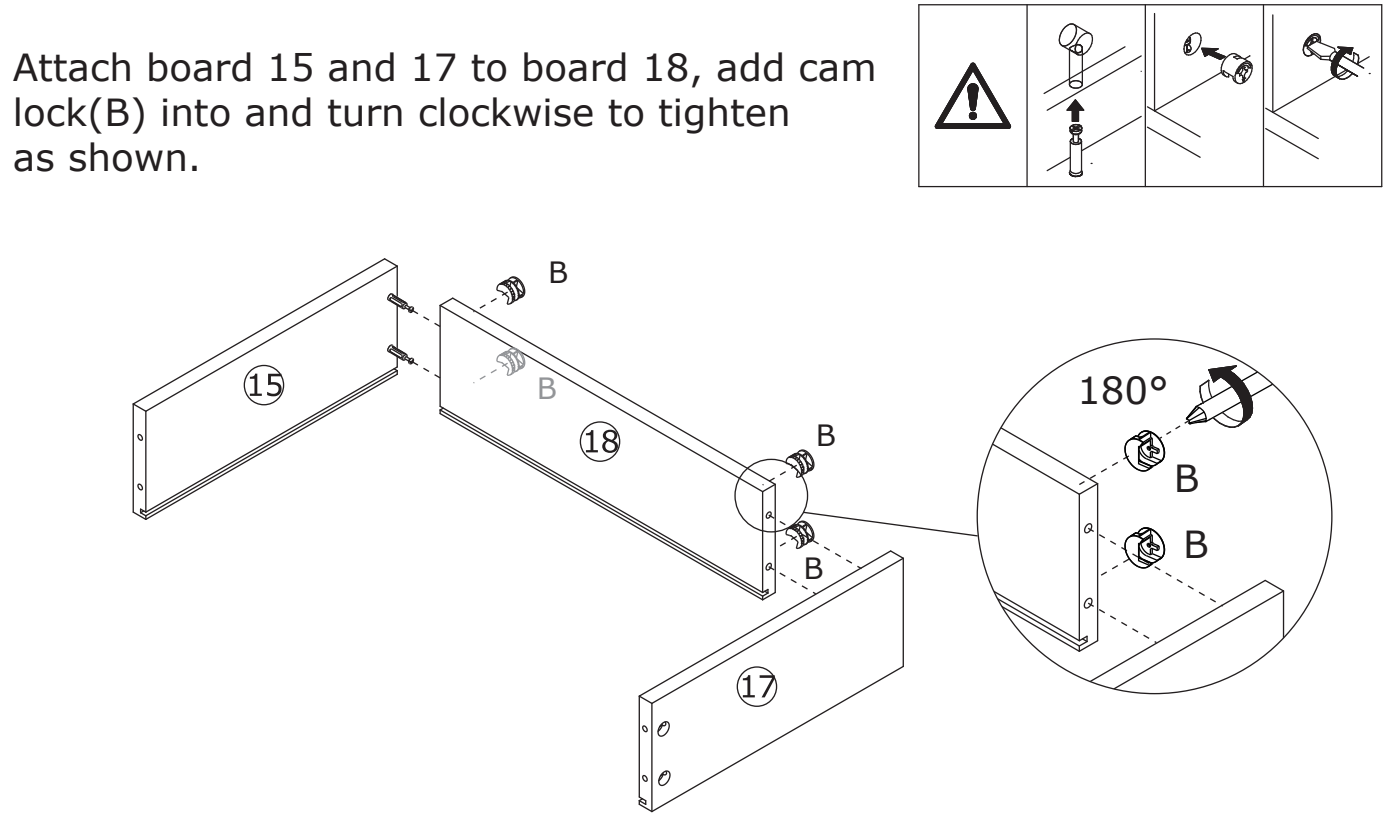
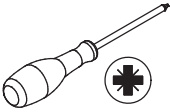
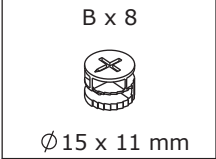
Insert layer pin into board 2 and 4 at first.
Fix part(P) to the drawer.



26

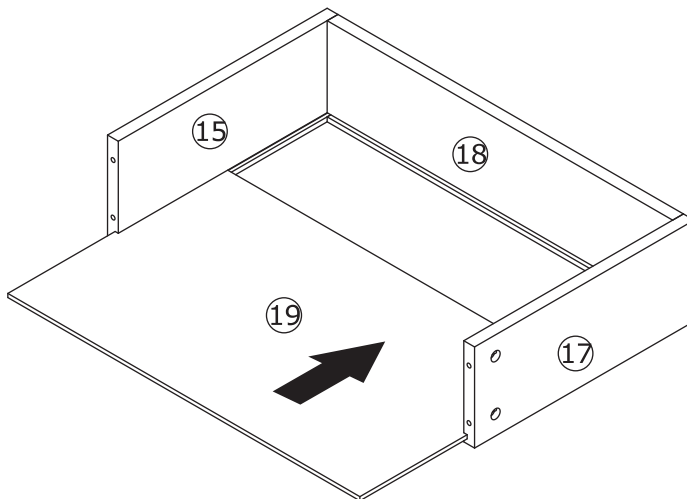


27



28

Insert bottom board 19 along grooves as shown.



x 2

29

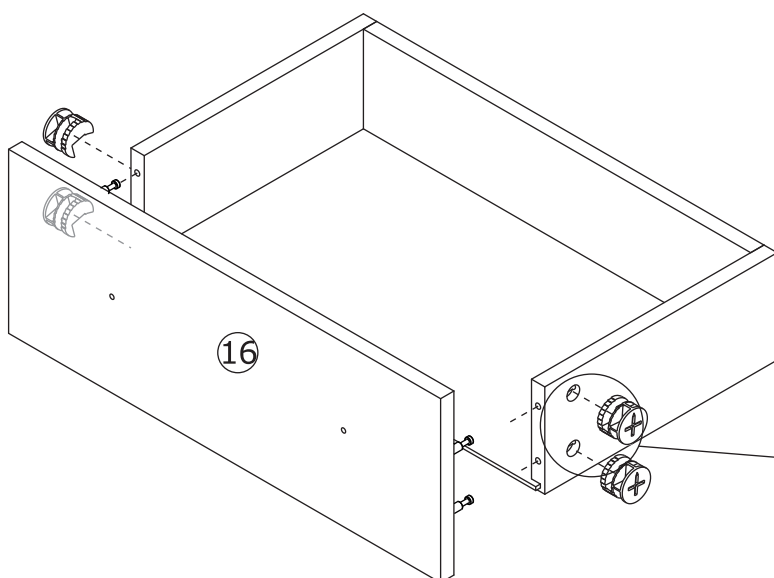
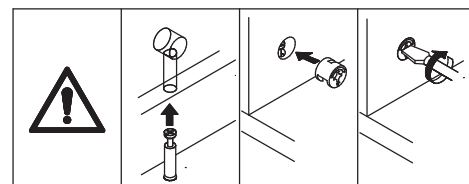
B x 8



Ø15 x 11 mm



Attach board 16 to board 15 and 17, add cam lock(B) into and turn clockwise to tighten as shown.

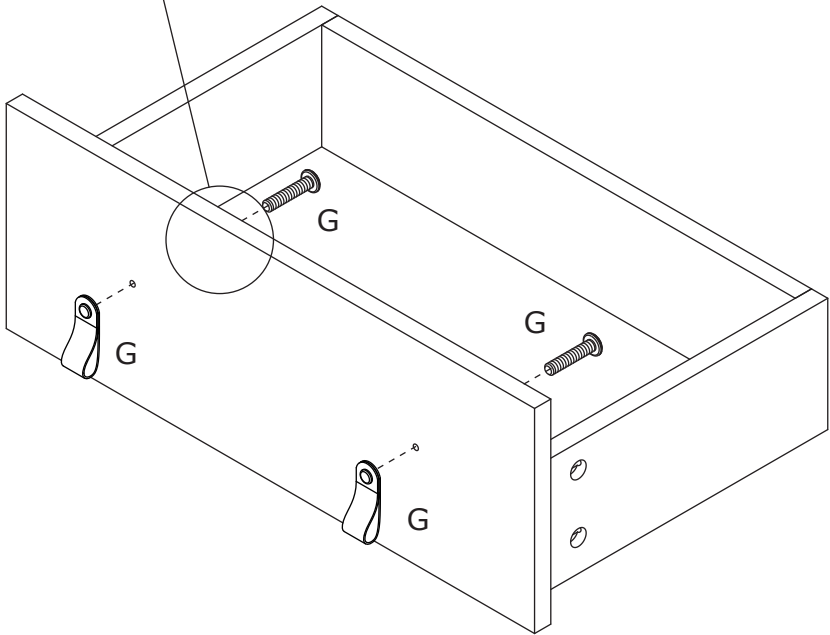
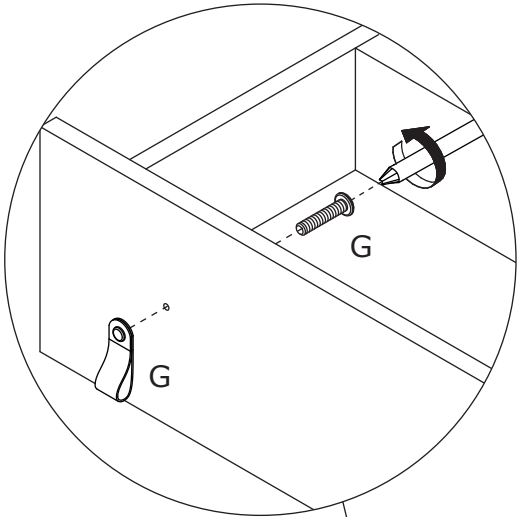
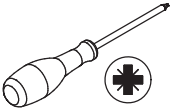


180°

x 2

30

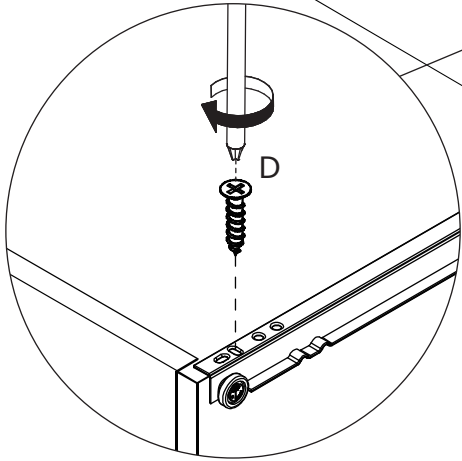
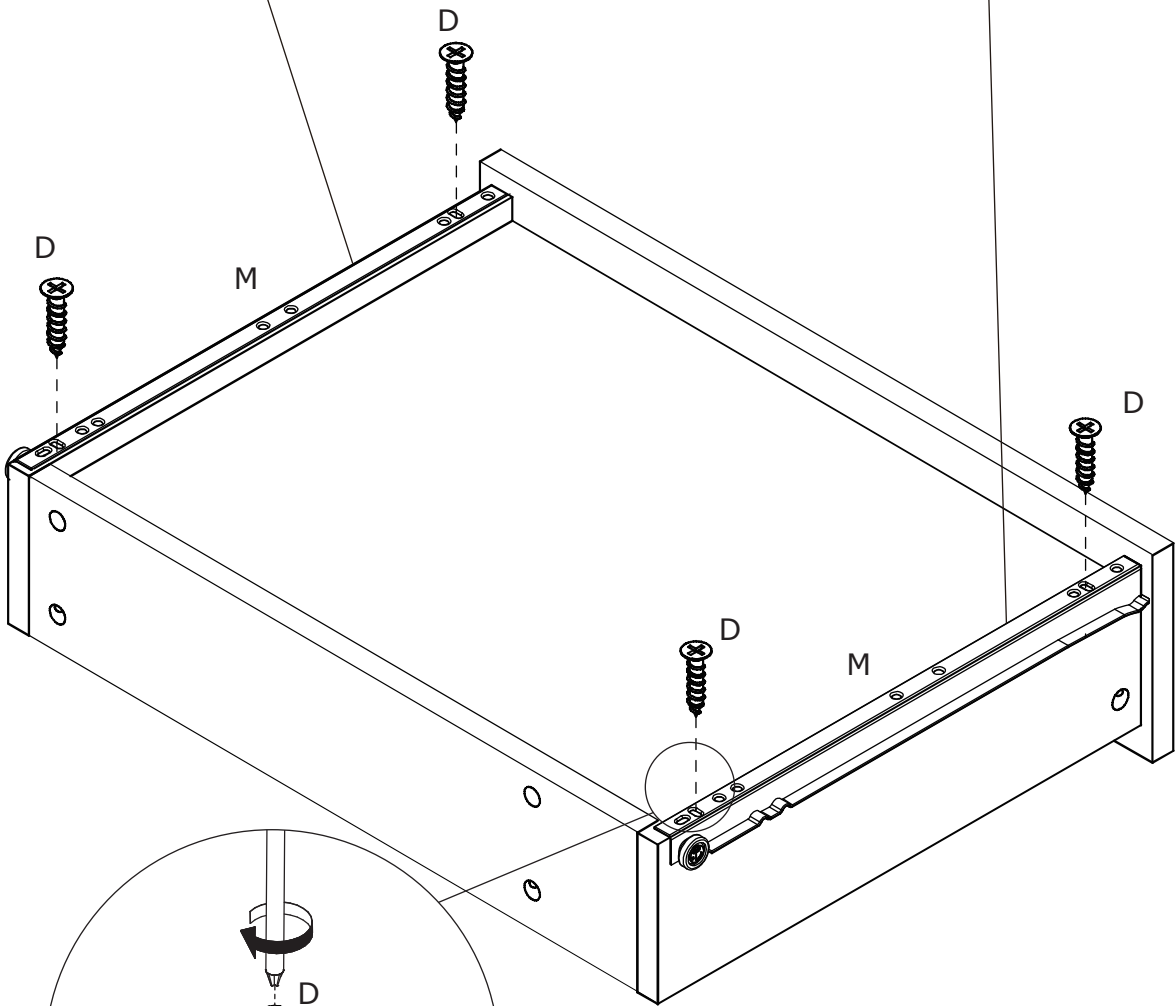
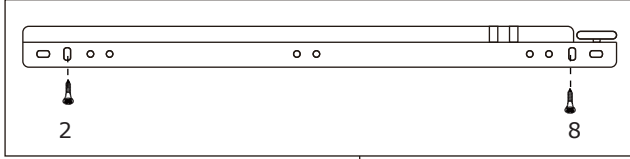
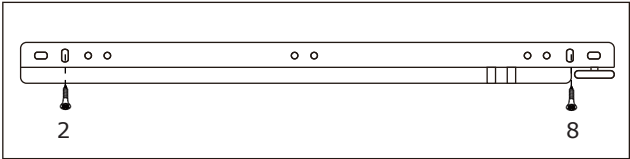
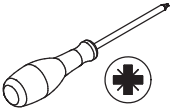
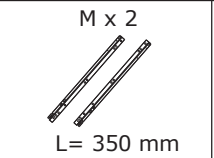
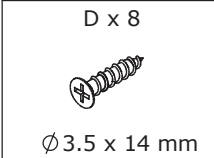
G x 4
Ø3 x 11 mm



x 2

Fix handle(G) to board 16 as shown.

31

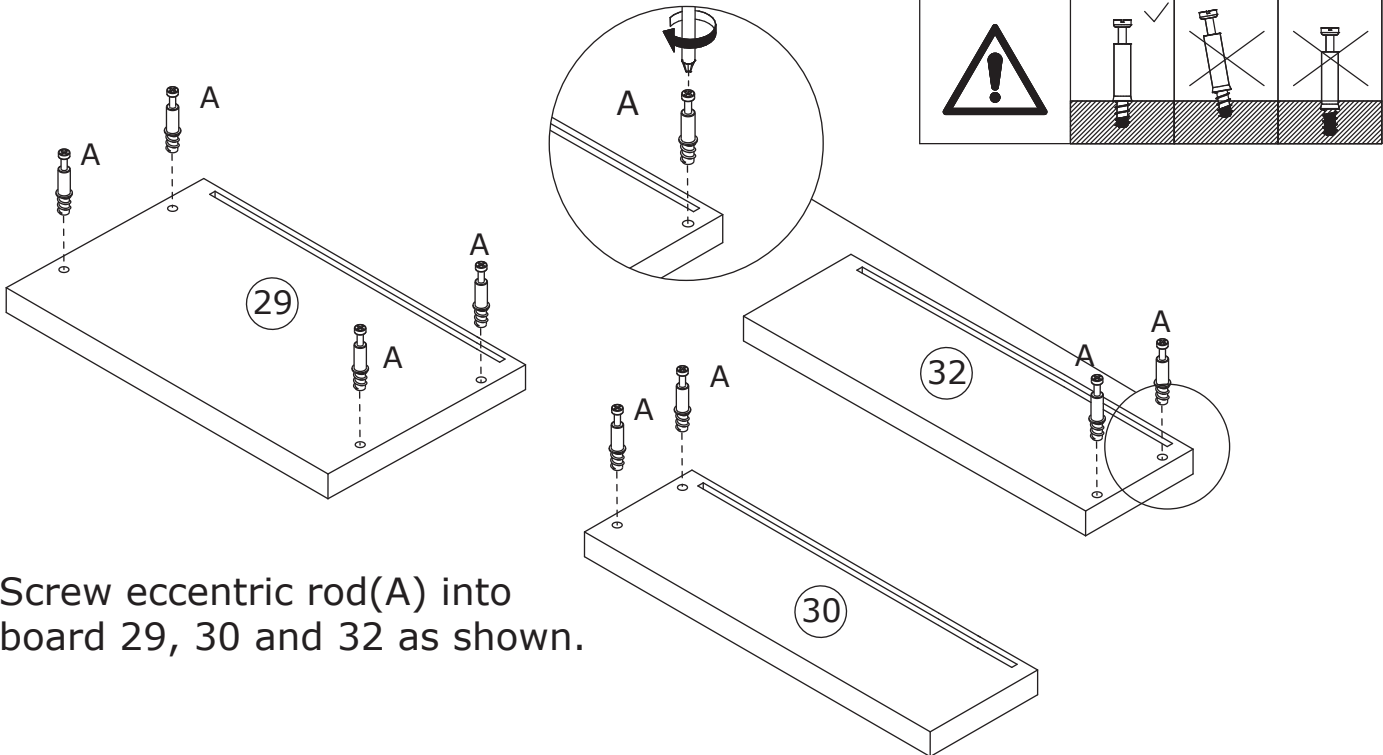
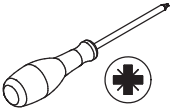


Fix runner(M) to board 15 and 17 respectively with screw(D) as shown.

x 2

32

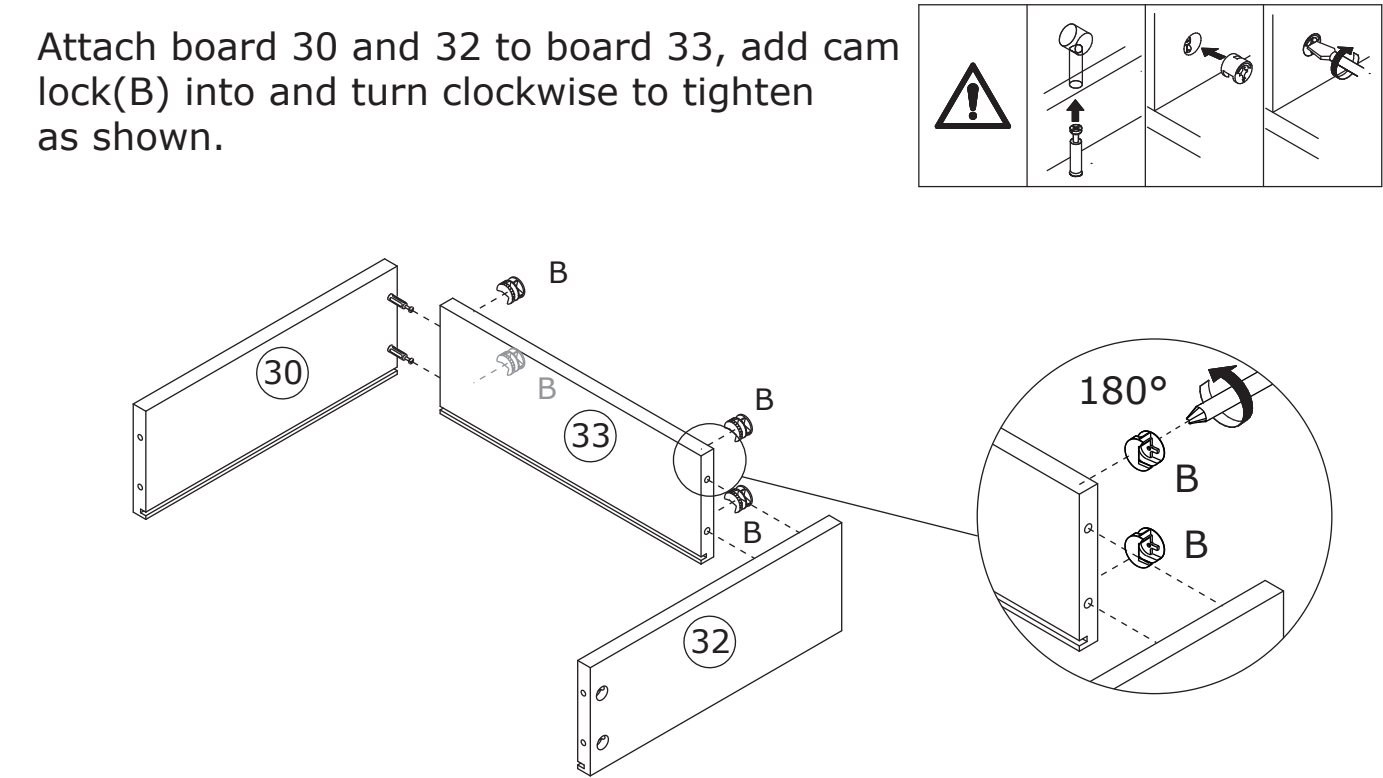
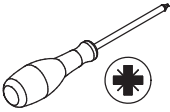
A x 8
Ø5 x 31 mm



Screw eccentric rod(A) into board 29, 30 and 32 as shown.

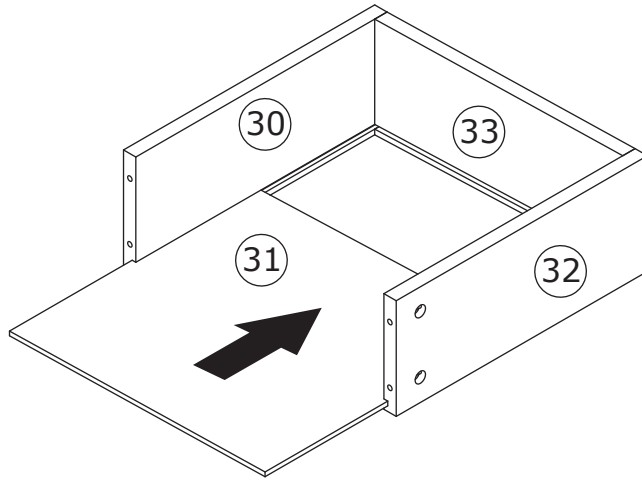
33

B x 4
Ø15 x 11 mm



Attach board 30 and 32 to board 33, add cam lock(B) into and turn clockwise to tighten as shown.

34

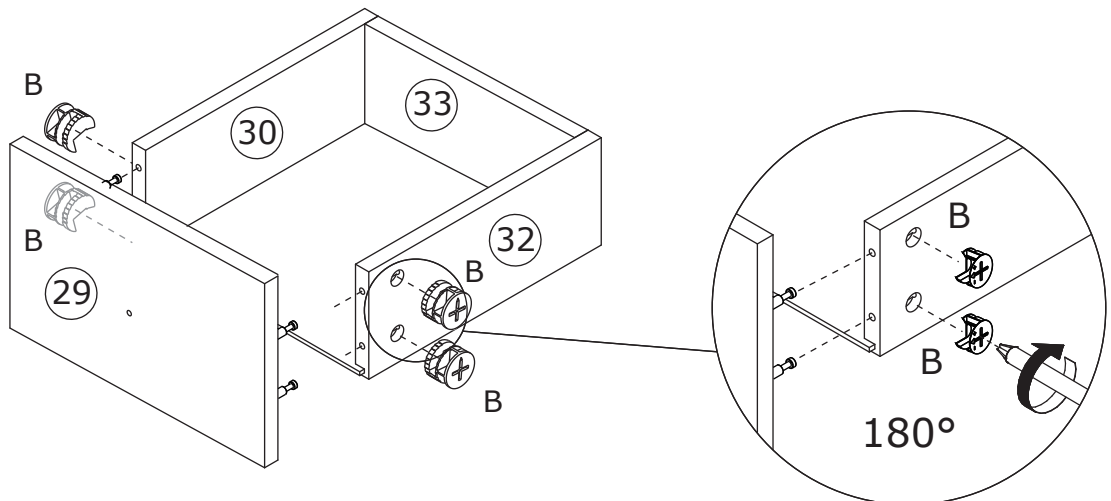
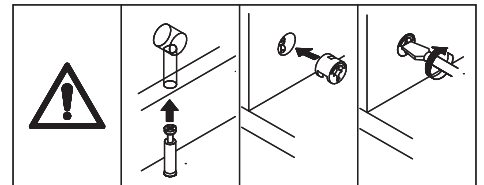


Insert bottom board 31 along grooves as shown.

35

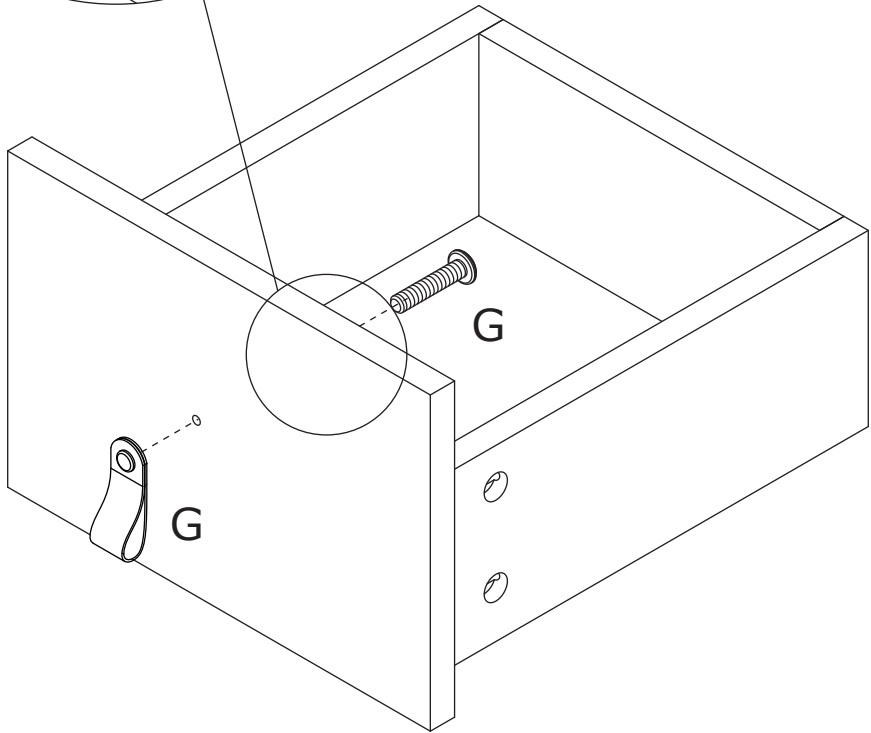
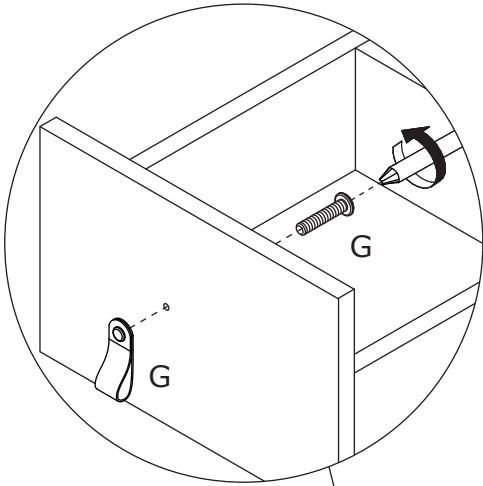
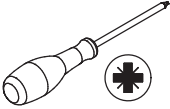


Attach board 29 to board 30 and 32, add cam lock(B) into and turn clockwise to tighten as shown.




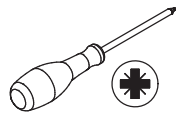
36

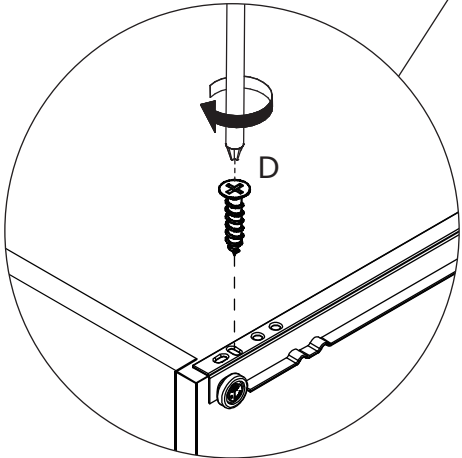
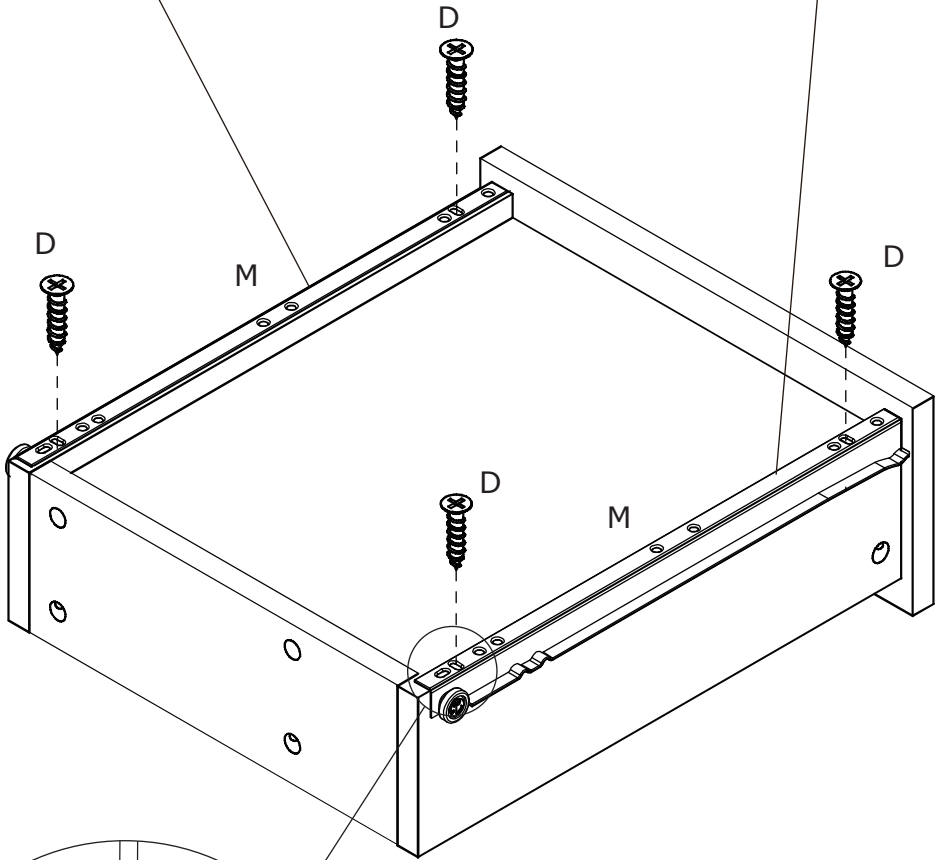
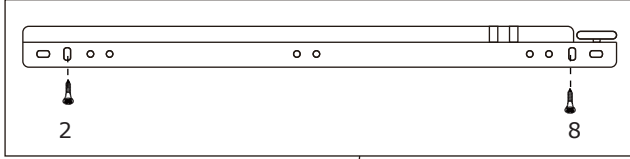
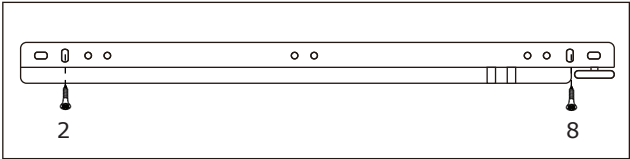
G x 1
Ø3 x 11 mm



Fix handle(G) to board 29 as shown.

37

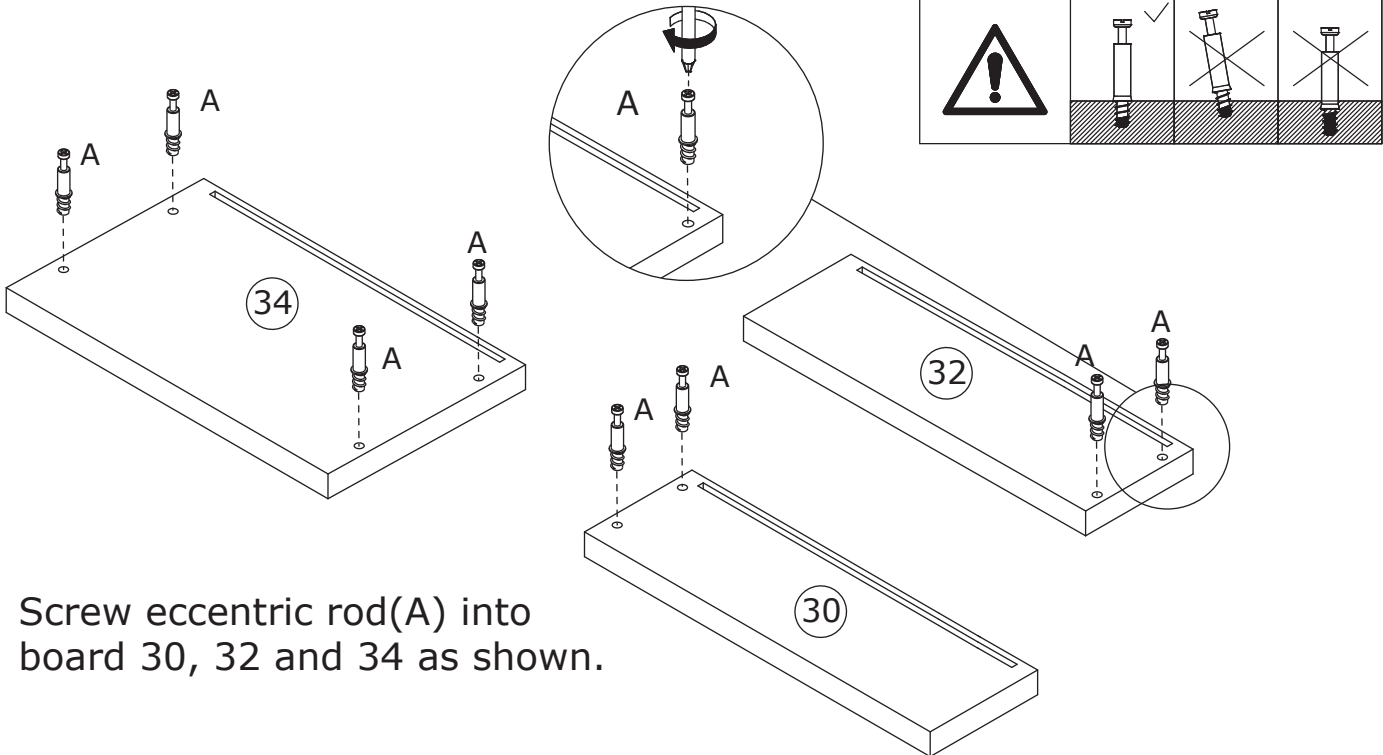
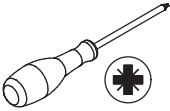
<p>D x 4</p>  <p>Ø3.5 x 14 mm</p>	<p>M x 1</p>  <p>L= 350 mm</p>	
--	---	---



Fix runner(M) to board 30 and 32 respectively with screw(D) as shown.

38

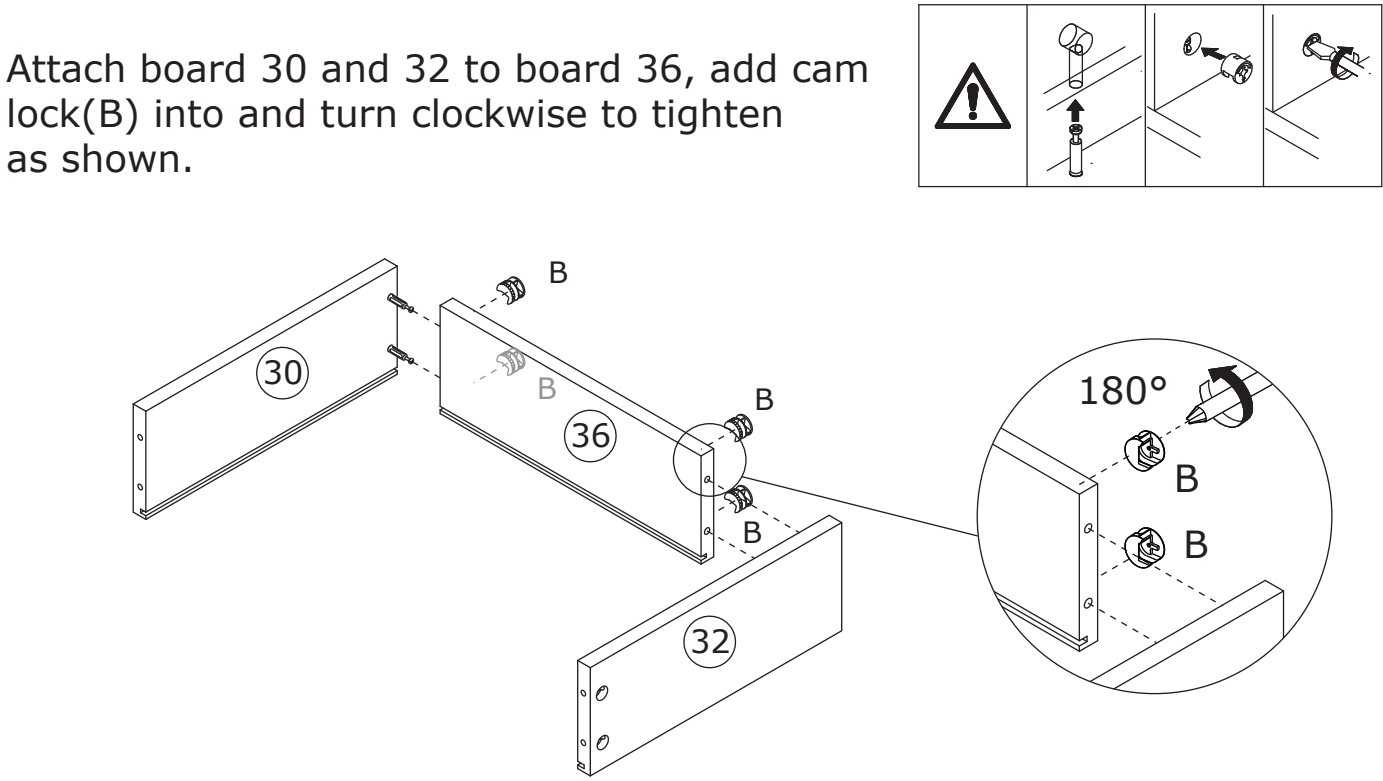
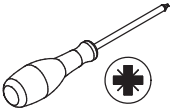
A x 8
Ø5 x 31 mm



Screw eccentric rod(A) into board 30, 32 and 34 as shown.

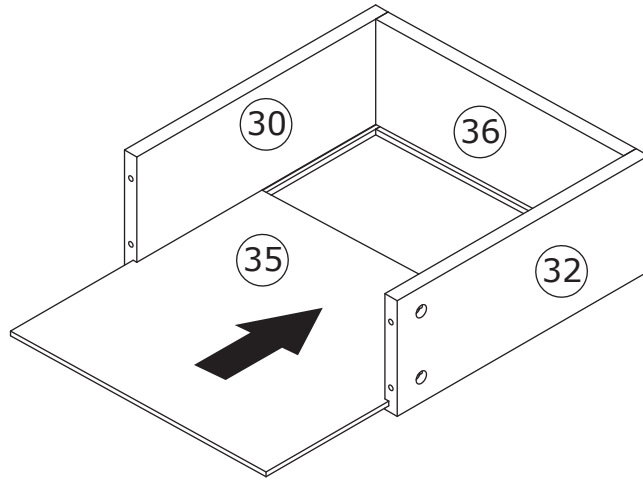
39

B x 4
Ø15 x 11 mm



Attach board 30 and 32 to board 36, add cam lock(B) into and turn clockwise to tighten as shown.

40



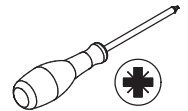
Insert bottom board 35 along grooves as shown.

41

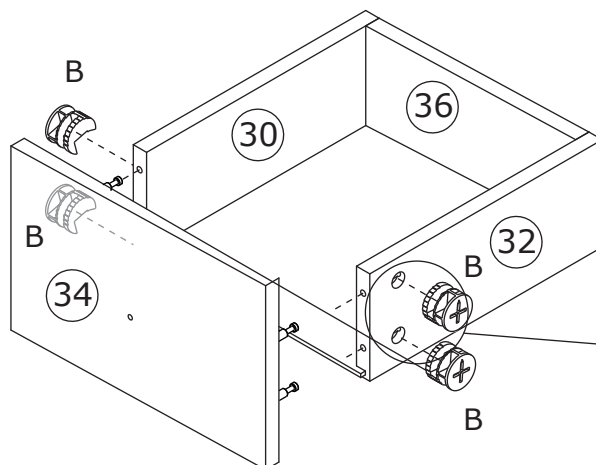
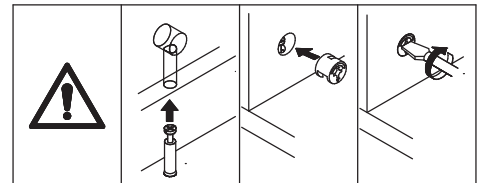
B x 8



Ø15 x 11 mm



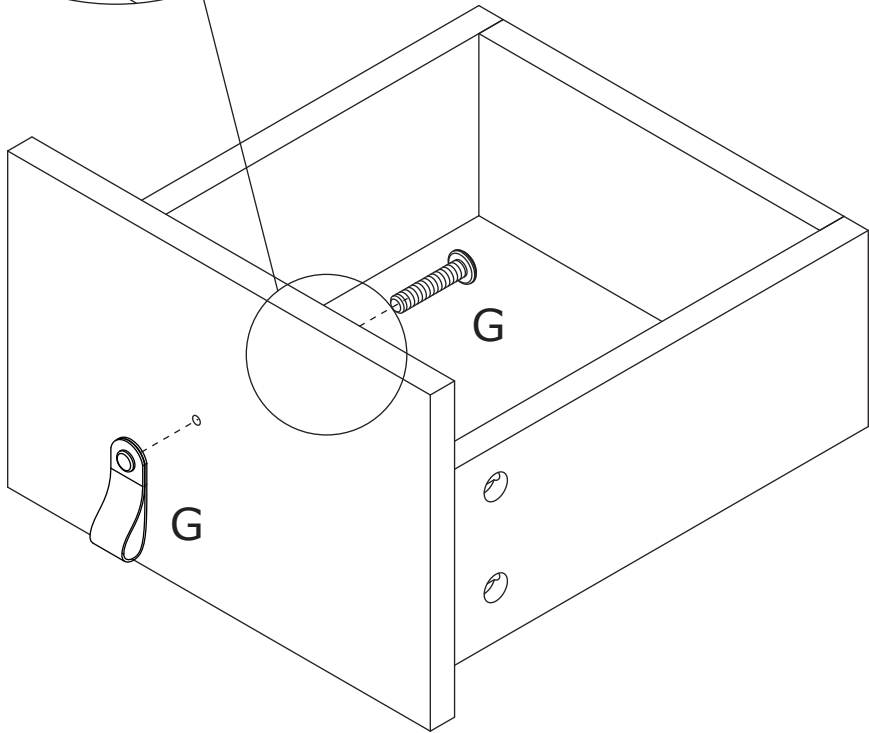
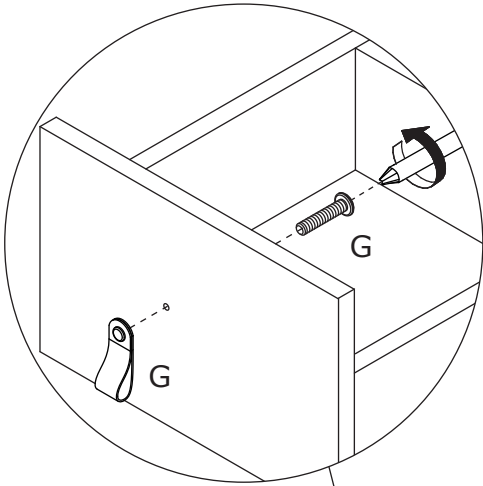
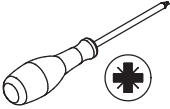
Attach board 34 to board 30 and 32, add cam lock(B) into and turn clockwise to tighten as shown.



x 2

42

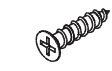
G x 1
Ø3 x 11 mm



Fix handle(G) to board 34 as shown.

43

D x 4

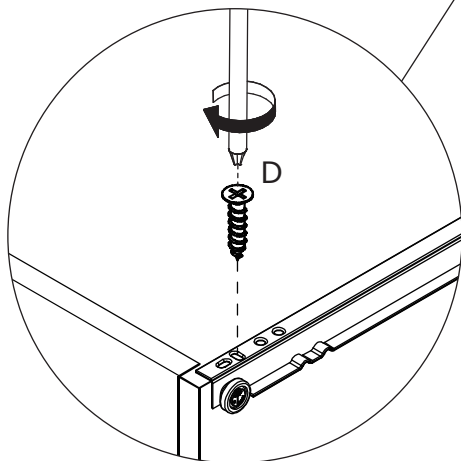
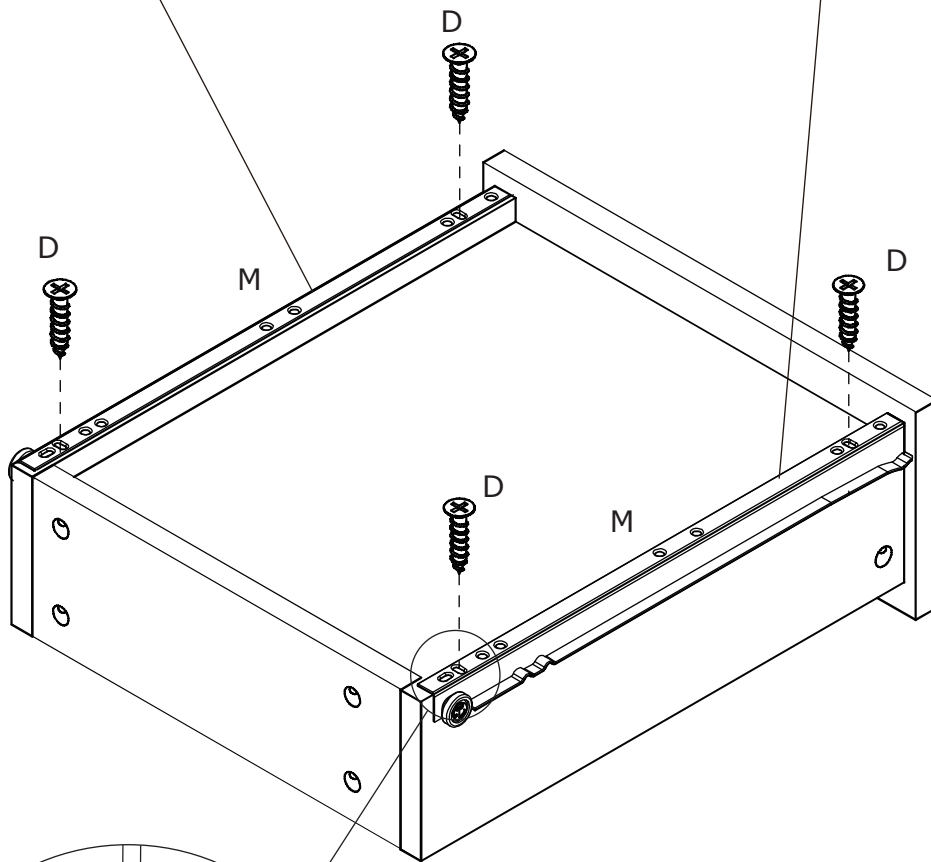
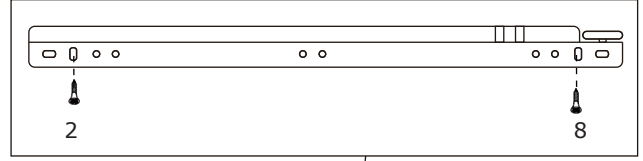
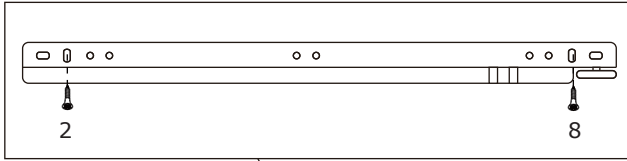
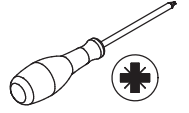


Ø3.5 x 14 mm

M x 1

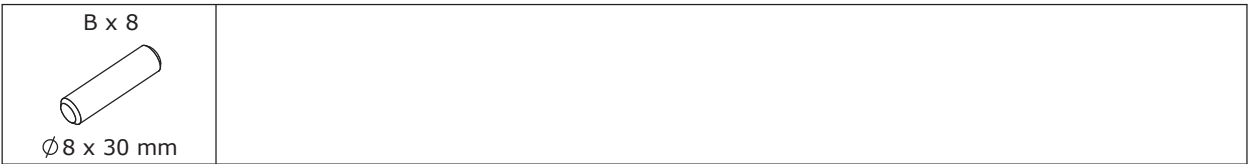


L= 350 mm

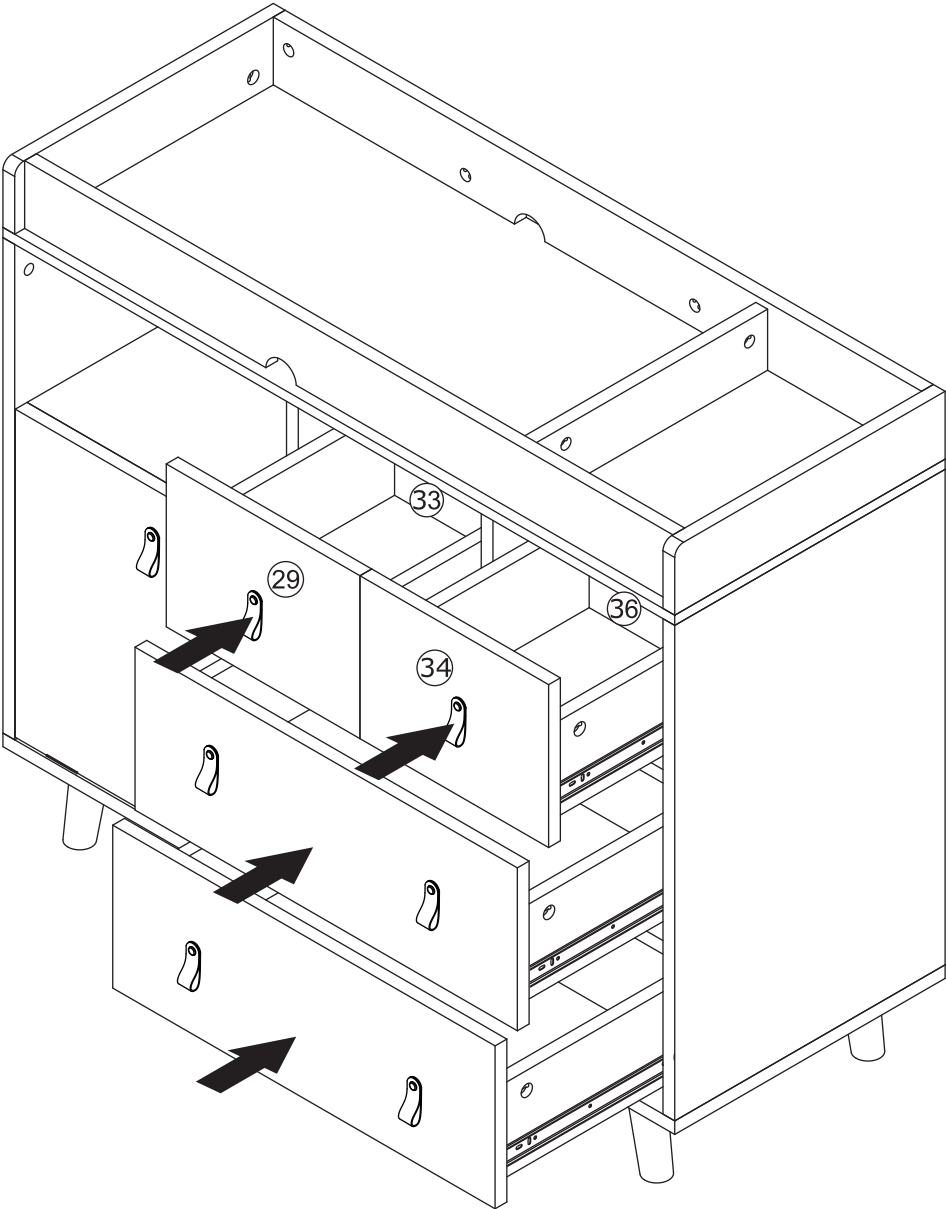


Fix runner(M) to board 30 and 32 respectively with screw(D) as shown.

44

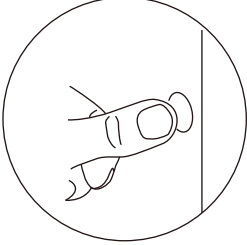
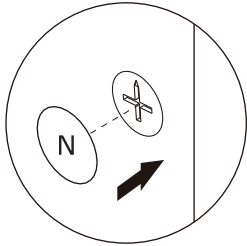
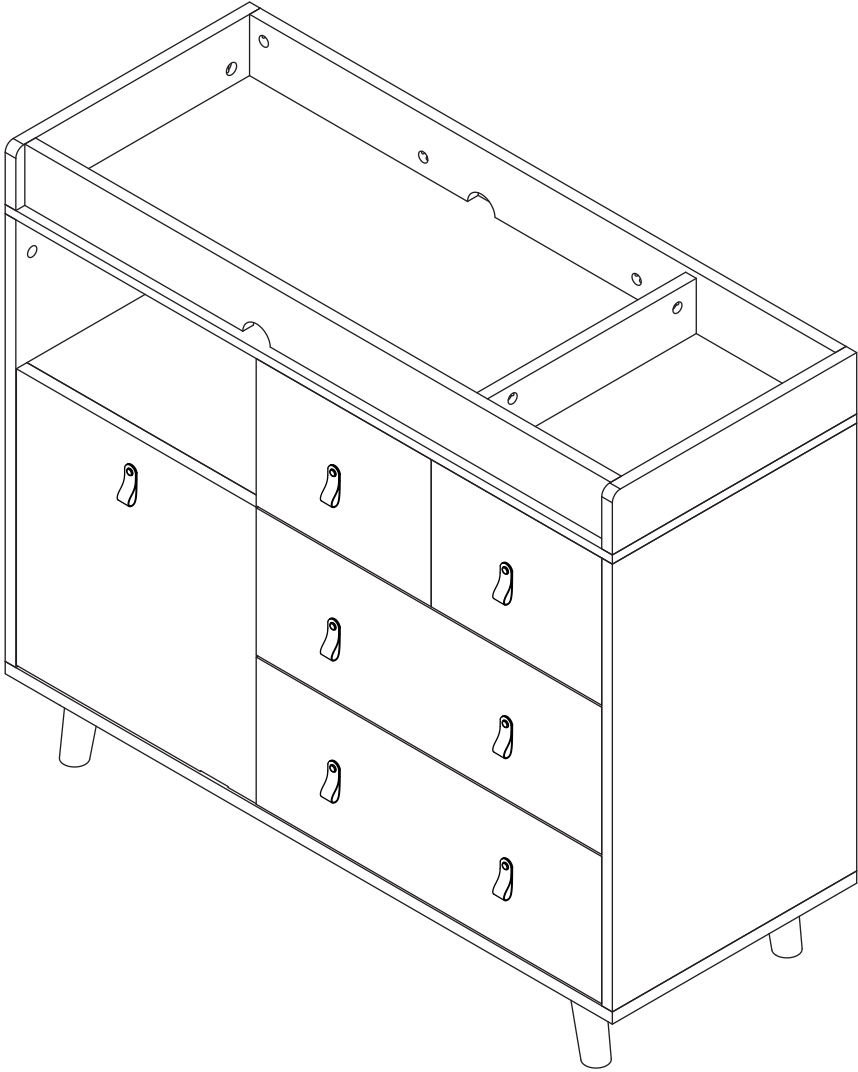


Align rails, insert all drawers in.



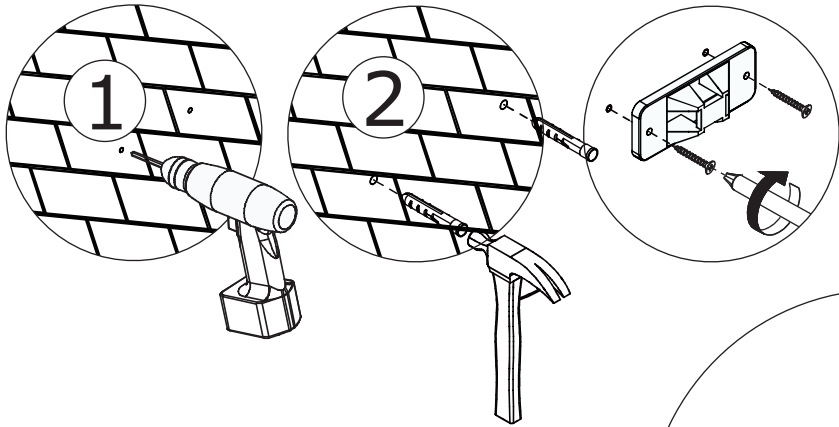
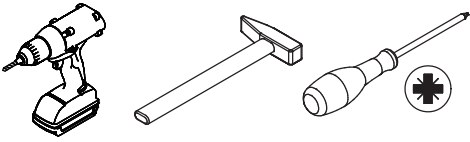
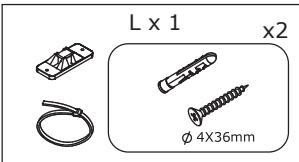
45

N x 78

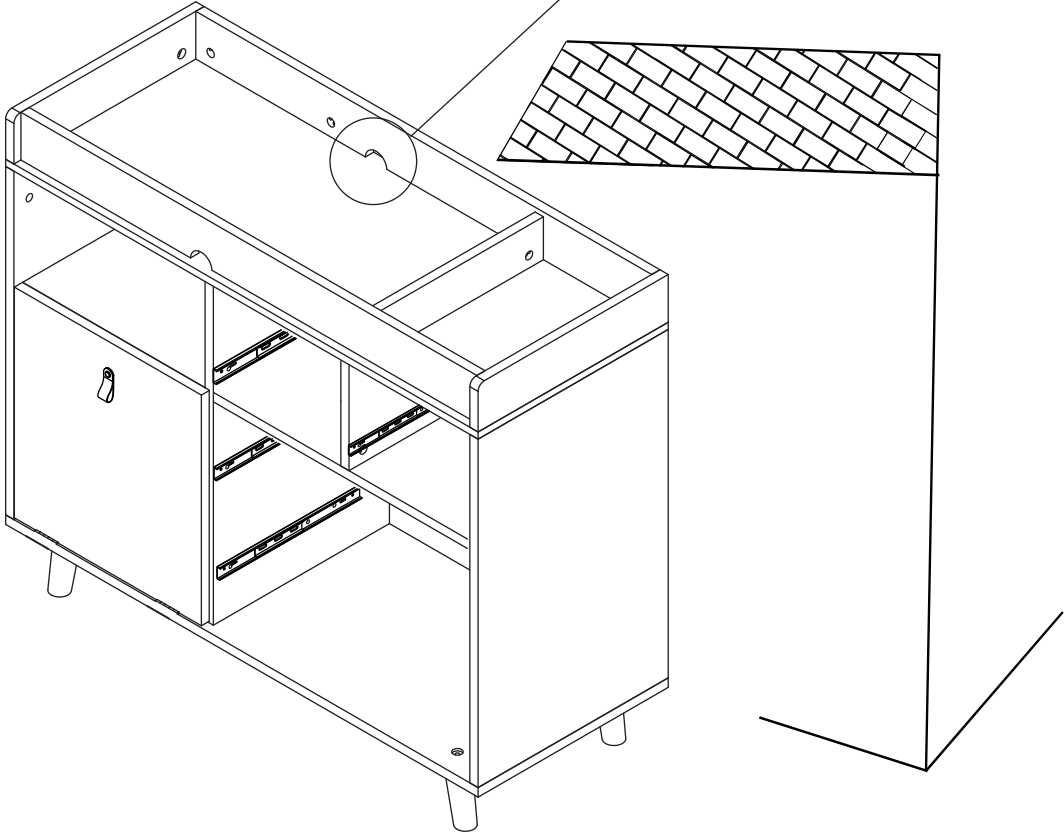
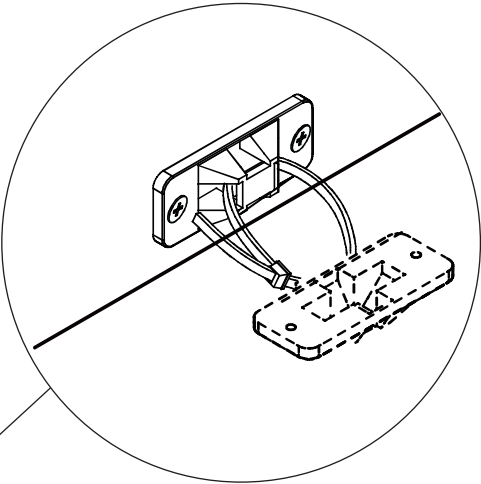


Use sticker(N) to cover cam lock holes.

46



Install anti-tipping device(L) as shown.



WARRANTY

WARRANTY CLAIMS

- There is a 30-day warranty for broken furniture or any other problems that do not work properly. The warranty will start from the date of purchase which must be verified by proof of purchase.
- Before making a claim, we may be able to answer your query, simply call us. Please leave your purchase order number, along with some details of the problem, if you want a replacement part. We will arrange within 48 hours. If there is out of stock, we will reply with a shipping date.
- The product must be used in accordance with the instructions provided. For health reasons.
- For other reasons, if the furniture needs to be returned, it must be cleaned and dried and operated within 30 days of receipt.

Type of Warranty Claim

- Failure to follow the furniture instructions will invalidate the warranty. Attention please.
- Does not include damage during installation, but includes damage during transportation.

Scope of responsibility

- Shall not bear any responsibility for misuse or user damage and / or loss of parts during the installation of furniture.
- After using, the damage and scratches of the furniture are not covered by the warranty.

The Warranty Relates to All Bought in The Us and Covers The Following Areas

- Sheet parts: 1 month from the date of purchase.
- Electrical parts: 1 month from the date of purchase.

RETURNS

CHANGED YOUR MIND AND NEED TO RETURN YOU ITEM?

PLEASE FOLLOW THE BELOW INSTRUCTIONS:

- If you have purchased and have simply changed your mind, follow the retailer's instructions for returns.

DEFECTIVE ITEMS

- If your item is defective in any way, i.e. it doesn't work but you can't identify why, in the first instance, please call us.

DAMAGED ITEMS

- If you receive an order with obvious shipping damage from the retailer, then we suggest the delivery is refused. If the delivery has been accepted and then shipping damage is found, please follow the specific instructions advised by the retailer.
In all circumstances please save all packaging material and paperwork for the order. Please be aware that if you dispose of packaging material or attempt to return the merchandise without contacting the fulfiller, you jeopardise your chances of making a claim, and you may not receive a credit for the return.

AFTER-SALES CONTACT



feedbackstation@163.com



(303)800-6387