

TROUBLESHOOTING

CHECK	PROBLEM	CURE
Burner burns with a yellow or orange flame, in conjunction with the smell of gas.	Inspect burner for possible obstructions.	Clean burner. (See Section "Maintenance")
Burner does not light, or flame is low.	Is LP fuel low or empty?	Replace LP cylinder.
	Is fuel hose bent or kinked?	Straighten fuel hose.
	Does the burner light with a match?	If you can light the burner with a match, then check the ignition system.
	Is the hose to burner tube connection properly secured?	Connect the gas hose to the burner tube using the metal retaining clip provided. ⚠ DANGER: Do not use the gas ignition feature if the retaining clip is missing. A missing retaining clip can cause serious bodily injury or death, and damage to property. Contact Customer Service for a replacement retainer clip.
Burner flame pattern is erratic.	Is burner clean?	Clean burner. (See Section "Maintenance")
Burner does not ignite when you push the igniter button.	Be sure that there is gas flow to the burners by attempting to match light your burners. Refer to "MANUAL IGNITION".	If match lighting is successful, the problem lies in the ignition system. Refer to "ELECTRONIC IGNITION SYSTEM OPERATION".
	Is there a fresh battery installed?	Verify that the battery is in good condition and installed correctly. Refer to "ELECTRONIC IGNITER INSPECTION".
	Are the wires connected properly to the ignition module?	Be sure that wires are correctly inserted into terminals on ignition box. Refer to "ELECTRONIC IGNITION SYSTEM OPERATION".
	Is there plastic wrapping around the new battery?	Remove plastic wrapping.
Timer does not work.	Is there a fresh batteries installed?	Verify that the batteries is in good condition and installed correctly. Refer to "TIMER OPERATION".
Inside of lid appears to be "peeling." (Resembles paint peeling.)	What you are seeing is baked-on grease that has turned to carbon and is flaking off. THIS IS NOT A DEFECT.	Clean thoroughly. (See Section "Cleaning")

If problems cannot be corrected by using these methods, please contact the Customer Service Representative in your area using the contact information on our web site. Log onto www.weber.com®.

MAINTENANCE

MAINTENANCE

After a period of nonuse we recommend that you perform the following maintenance procedures for your safety.

- Check hose before each use of barbecue for nicks, cracking, abrasions or cuts. If the hose is found to be unserviceable, do not use the barbecue. Replace using only Weber® authorized replacement parts. **Contact the Customer Service Representative in your area using the contact information on our web site. Log onto www.weber.com.**

⚠ CAUTION: If the barbecue gas hose is damaged in any way or leaking, do not use the barbecue.

- Inspect the burner for the correct flame pattern(see section Burner Flame Pattern). Clean, if necessary, according to the procedures outlined in this section.
- Check all gas fittings for leaks. See section "Check For Gas Leaks".

PERIODIC CLEANING

To remove ashes from the bowl, move control rod (1) side to side so damper blades sweep ashes through the bowl vents and into the ash catcher.

⚠ CAUTION: Be sure that burner is OFF and barbecue is cool before cleaning.

Do not enlarge burner slots when cleaning.

To clean burner:

- Brush the outside of the burner tube (2) and the burner slot (3) section with a wire brush.

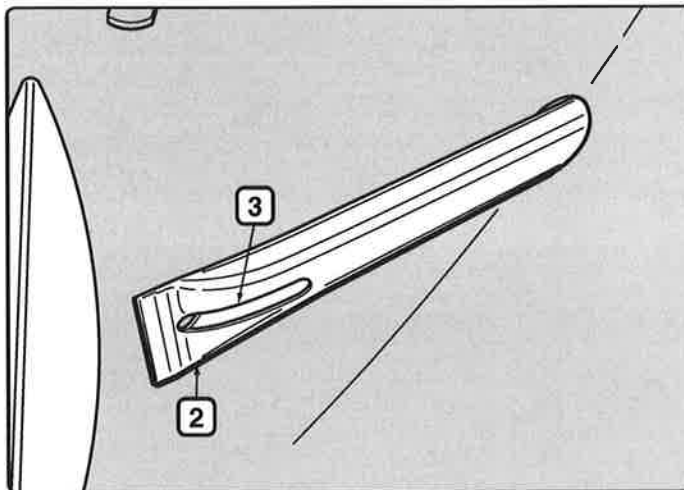
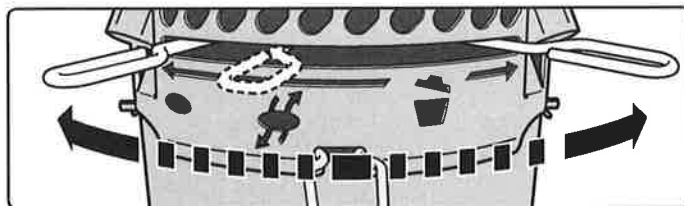
⚠ CAUTION: Do not enlarge the burner slots or the gas orifice when cleaning.

To clean kettle:

- While lid is warm, wipe the inside with a paper towel to prevent grease buildup.
- For outer surfaces use a warm soapy water solution and rinse well with clear water.

For a more thorough cleaning (to be done at least once a year):

- A) Remove ashes after coals are fully extinguished.
- B) Remove the grates and Char-Baskets™.
- C) Wipe out with paper towels. Wash with a mild detergent and water. Rinse well with clear water and wipe dry.



STORAGE

- When the Performer Grill is stored indoors, the gas supply must be disconnected and the LP tank stored outdoors in a well-ventilated space.
- LP tanks must be stored outdoors in a well-ventilated area out of the reach of children and must not be stored in a building, garage or any other enclosed area.
- After a period of storage and/or nonuse, the barbecue should be checked for gas leaks and any obstructions in the burner tube before using (see section "Maintenance").
- Check that the areas around the tank, hose and burner assembly are free from debris that might obstruct the flow of gas or air before use.

MAINTENANCE

INSECT ALERT

Your Performer Grill, as well as any outdoor gas appliance, is a target for spiders and insects. They can nest in the venturi section (1) of the burner tube causing gas to flow back out of the air shutter.

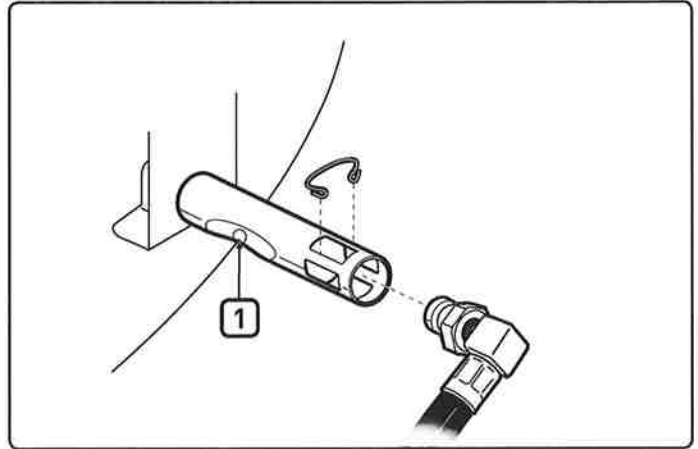
This could result in a fire in and around the burner tube under the bowl panel. It can cause serious damage to your barbecue, rendering it unsafe to operate.

We strongly recommend that you inspect and clean the burner tube at least once a year, or if any of the following symptoms occur:

- A) The smell of gas in conjunction with the burner flames appearing very yellow and lazy.
- B) Burner makes popping noises.

⚠ DANGER

Failure to correct these symptoms may result in a fire which can cause serious bodily injury or death and cause damage to property.

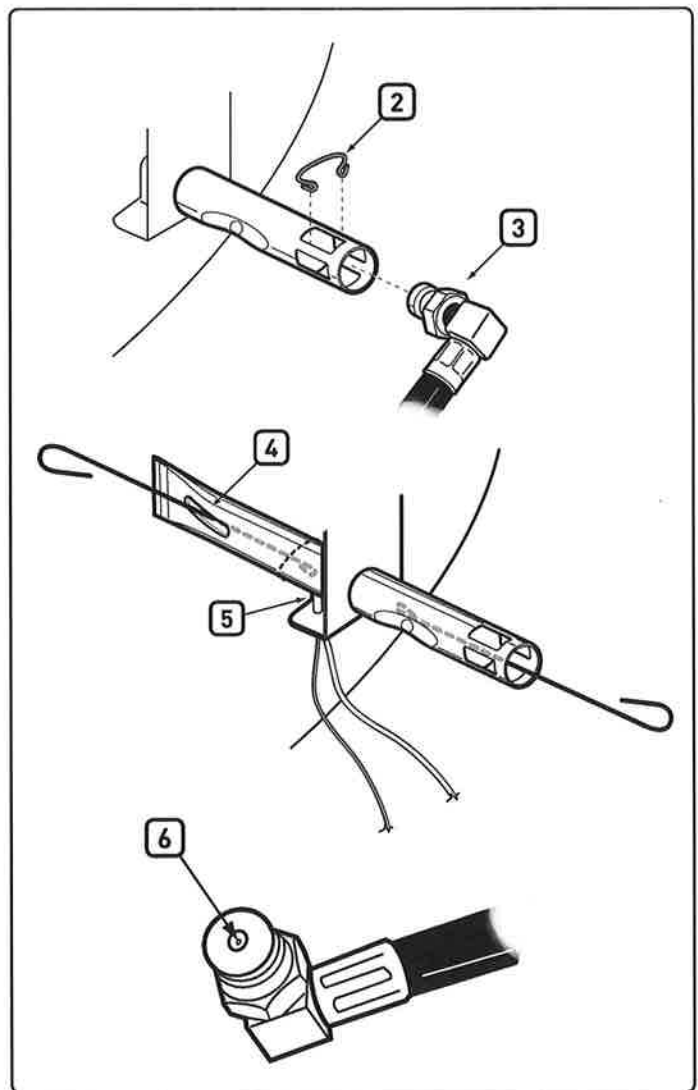


INSPECTING AND CLEANING THE BURNER

- A) Turn gas to OFF.
- B) Remove the CharBin™ storage container.
- C) Remove orifice clip (2) and hose fitting (3) from the burner tube.
- D) Look inside the burner with a flashlight.
- E) Clean the inside of the burner with the wire matchlight holder (provided). Use the wire to clean the air shutter area, the venturi section, and the burner slots (4) on the inside of the bowl. Be careful when inserting the burner cleaning tool not to damage the igniter electrode (5).
- F) Recheck with flashlight to see that there are no obstructions.
- G) If necessary, surface of hose fitting can be cleaned with a brass wire brush. The orifice (6) can be cleaned with a small pin.

⚠ CAUTION: Do not enlarge the orifice when cleaning.

- H) Reassemble by reversing steps B and C.



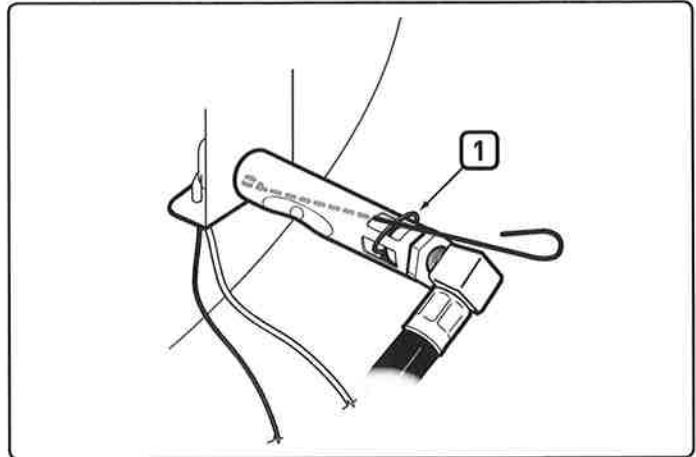
MAINTENANCE

PERIODIC QUICK CLEANING

We recommend that you periodically brush the outside of the burner slots with a wire brush and clean the burner tube through the combustion air vent with the matchstick holder we have provided.

This can be done by locating the burner combustion air vent **(1)** underneath the bowl bracket and inserting the tool through each combustion air vent, rotating the tool. Be careful when inserting the matchstick holder not to damage the igniter electrode.

⚠ **CAUTION:** It is important to increase the frequency of this cleaning procedure during the spring and summer months.



ELECTRONIC IGNITION INSPECTION

If the Electronic Ignition System fails to ignite, be sure there is gas flow by attempting to match light your burners. Refer to "MANUAL LIGHTING". If match lighting is successful, the problem lies in the electronic ignition.

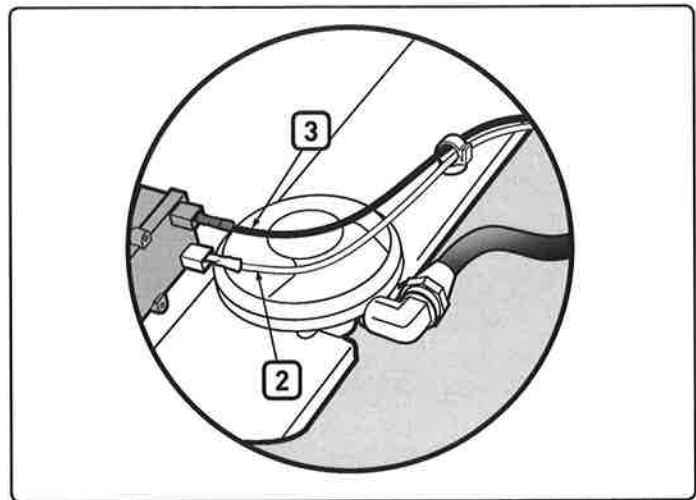
⚠ **WARNING:** Gas control and supply valve should be in the OFF position.

- Verify that the AAA battery (alkaline only) is in good condition and installed correctly **(1)**. Some batteries have a plastic protective wrap around them. This plastic must be removed. Do not confuse this plastic with the battery label.
- Check that both the white **(2)** and black **(3)** ignition wires are attached properly.
- Check that the Electronic Ignition button is working by listening and looking for sparks at burner.
- Check to see if the igniter is loose in the frame. Tighten if necessary; see step "Install" for the correct procedure.

Replace Battery If Necessary

AAA alkaline battery only.

If the Electronic Ignition System still fails to light, contact the Customer Service Representative in your area using the contact information on our web site. Log onto www.weber.com. ♦



BURNER FLAME PATTERN

The burner has been factory set for the correct air and gas mixture. The correct flame pattern should have yellowish tips **(4)** dark blue in the middle **(5)**, and light blue at the burner tube **(6)**. If the flames do not appear as shown, or if "popping" noises occur, follow the burner cleaning procedures.

