



USER MANUAL

Please carefully check the unit and make sure there is no damage when you open the carton.

QUESTIONS, PROBLEMS, OR MISSING PARTS?
Please Contact Customer Service Before Returning to Store

 www.soupro.com

 servicespi@sourceproinc.com

 +1-844-455-4621

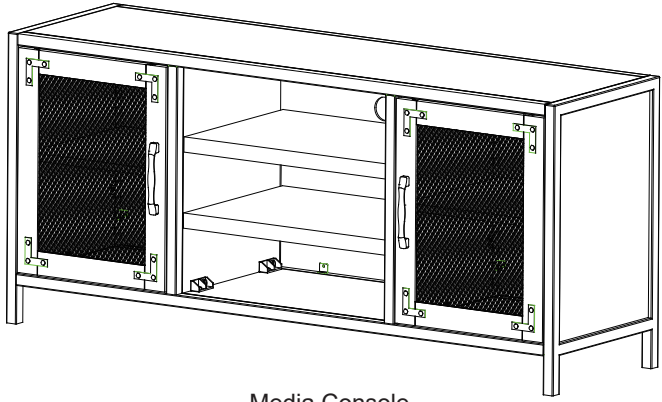
If parts are damaged or missing please call customer service for replacements.
DO NOT RETURN THIS PRODUCT TO THE RETAILER.

Keep this manual for future reference

TABLE OF CONTENTS //

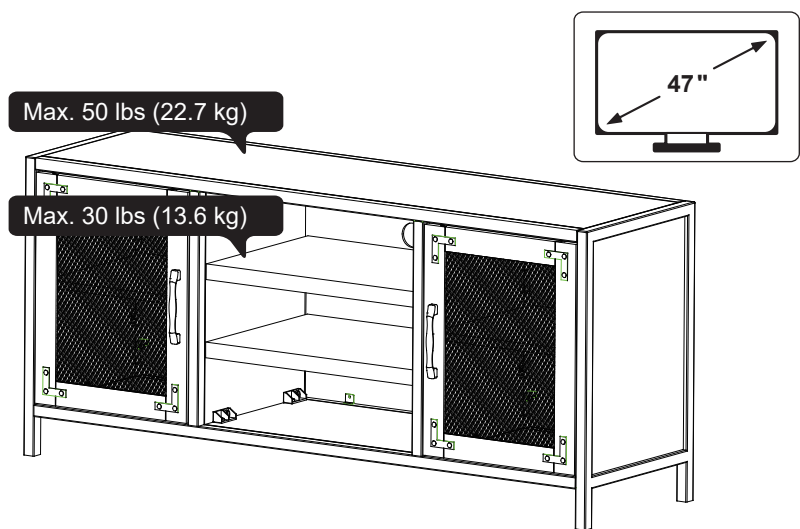
- **GENERAL INFORMATION**
 - Package Contents _____ 2
 - Maximum Load Warning _____ 3
 - Warranty _____ 4
- **ASSEMBLY INSTRUCTIONS**
 - Preparation _____ 4
 - Assembly _____ 6
 - Care And Maintenance _____ 10

PACKAGE CONTENTS //



Media Console
SP6556

MAXIMUM LOAD WARNING //



⚠ WARNING

Never use this furniture with a TV that is too large or too heavy. Severe injury or death can occur. The TV and furniture will be unstable and may tip.

- The TV must weigh less than 50 lbs.
- The base of the TV must be able to sit completely on the shelf.

For use only with flat panel televisions measuring 47 in. wide or less.

Refer to instruction book for complete safety information.

- ⚠ **CAUTION:** This unit is intended for use only with the products and maximum weights indicated. Use with other products or products heavier than the maximum weights indicated may result in instability causing possible injury.
- ⚠ **NOTE:** Flat panel TVs with base support should be placed squarely in the center of the stand with no overhang on any side.

WARRANTY

1-YEAR LIMITED WARRANTY


Source Pro Industries Ltd. (hereinafter referred to collectively as “the Company”) warrants that your new **HearthPo** Media Console is free from manufacturing and materials defects for a period of one (1) year from date of purchase. Subject to the following conditions and limitations:


1. The Media console must be installed and operated at all times in accordance with the installation and operating instructions furnished with the product. Any unauthorized repair, alteration, willful abuse, accident, or misuse of the product shall nullify this warranty.
2. This warranty is non-transferable, and is made to the original owner, provided that the purchase was made through an authorized supplier of the Company.
3. The warranty is limited to the repair or replacement of part(s) found to be defective in material or workmanship – provided that such part(s) have been subjected to normal conditions of use and service – after said defect is confirmed by the Company’s inspection. All replacement parts or products will be new, remanufactured, or refurbished.
4. The Company may, at its discretion, require that any defective part(s) be returned in exchange for the replacement part(s).
5. The Company may, at its discretion, fully discharge all obligations with respect to this warranty by refunding the wholesale price of the defective part(s).
6. Any installation, labor, construction, transportation, or other related costs/expenses arising from defective part(s), repair, replacement, or otherwise of same, will not be covered by this warranty, nor shall the Company assume responsibility for the same.
7. The owner/user assumes all other risks – if any – including but not limited to the risk of any direct, indirect or consequential loss or damage arising out of the use, or inability to use the product, except as provided by law.
9. All other warranties – express or implied – with respect to the unit, its components and accessories, or any obligations/liabilities on the part of the Company are hereby expressly excluded.
10. The Company neither assumes, nor authorizes any third party to assume on its behalf, any other liabilities with respect to the sale of the unit.
11. The warranties as outlined within this document do not apply to non-accessories used in conjunction with the installation of this product.
12. This warranty gives you specific legal rights, and you may also have other rights which vary from state to state.


This warranty is void if:

- (a) This media console is subjected to prolonged periods of dampness or condensation.
- (b) Any unauthorized alteration, willful abuse, accident, or misuse of the product.
- (c) You do not have the original purchase receipt.

IF WARRANTY SERVICE IS NEEDED Please Contact Customer Service

 www.soupro.com

 servicespi@sourceproinc.com

 +1-844-455-4621



Make sure you have the following information ready:

- Warranty
- Sales Receipt
- Product Model/Serial Number
- Date of Purchase
- Location of Purchase

PREPARATION //

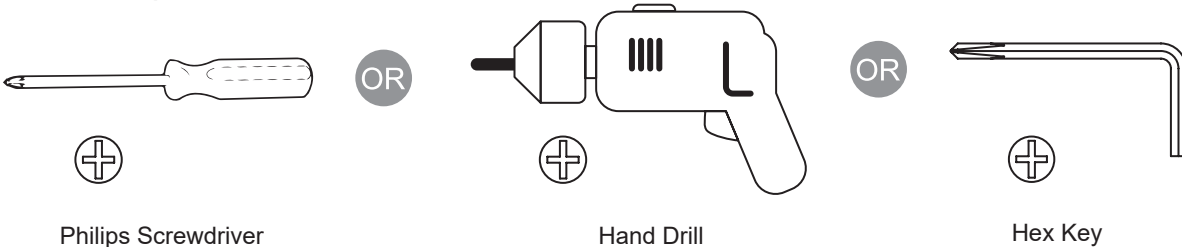
⚠ IMPORTANT INFORMATION

1. Before you begin, locate the instructions and hardware. Be sure you have all of the parts and can identify them.
2. To avoid scratching the finish, assemble the product on a soft, non-abrasive surface such as carpet or cardboard.
3. Assembly of this product may require more than one person.

⚠ WARNING

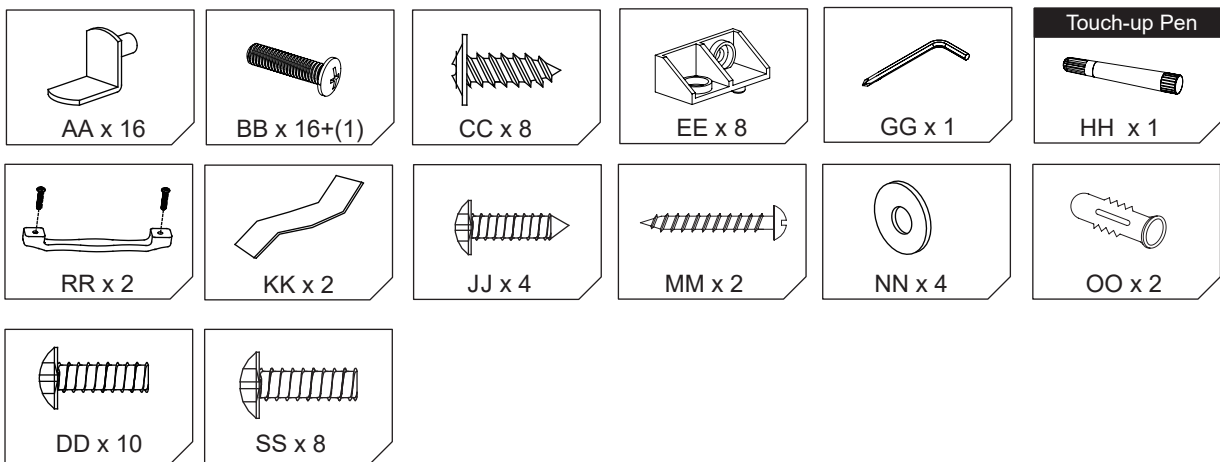
1. Do not let any sharp objects touch or rub the surface of the product.
2. When assembling, do not let children play around the working area.
3. Please confirm all parts are correct before starting the assembly process.
4. Do not tighten all bolts and screws completely until the entire unit has been assembled and set up.
5. **DO NOT USE POWER TOOLS.** Power tools can overtighten screws and strip threads.


Tools Required



Hardware Identification

Number of spare hardware is indicated in ().



 Use the Touch-up Pen to cover surface scratches.

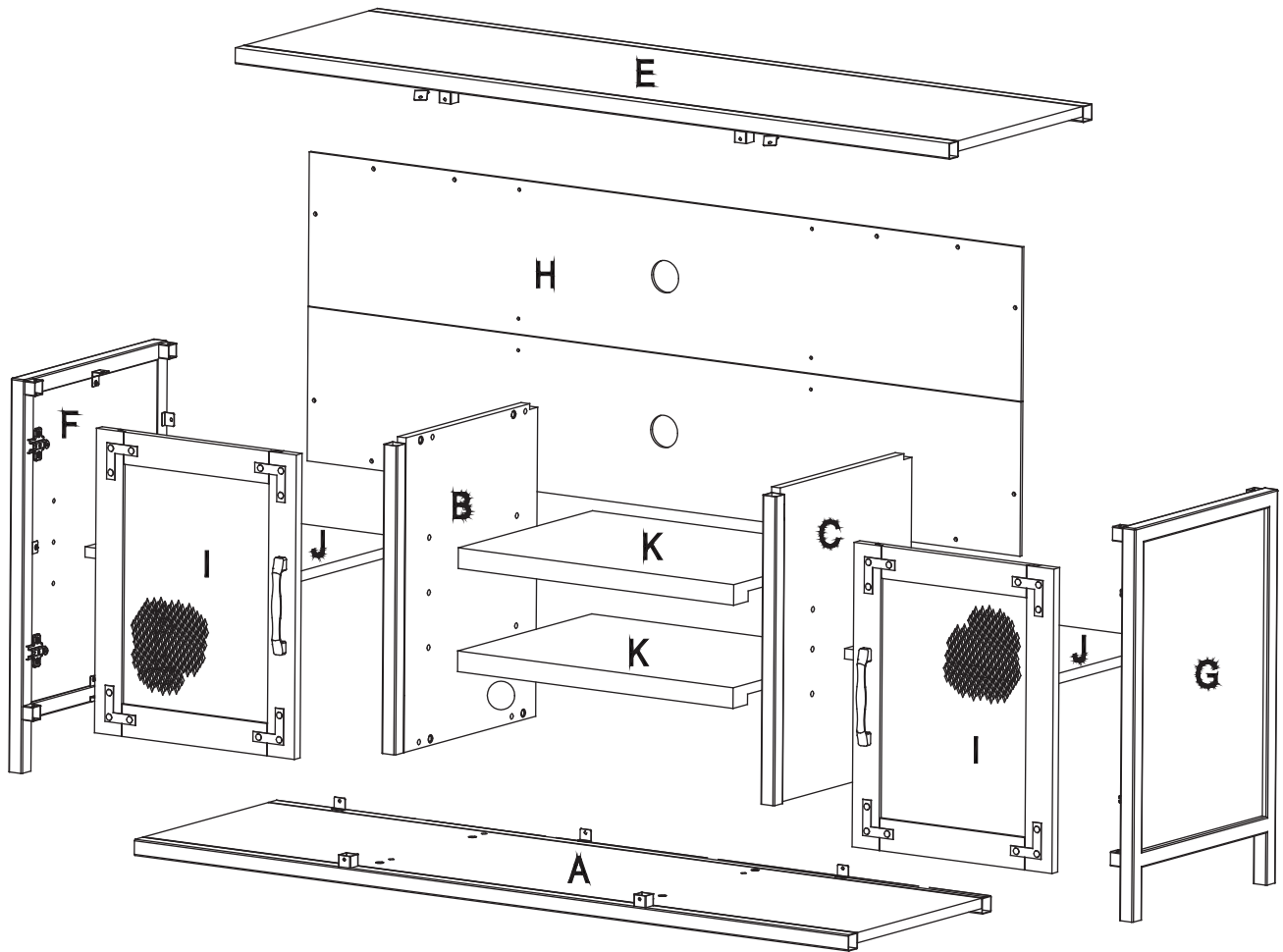
⚠ **WARNING:** The included plastic wall anchors (OO) are intended for use with solid wall applications only (tile and concrete). DO NOT USE WITH DRYWALL OR OTHER HOLLOW WALL APPLICATIONS.

PREPARATION



Parts List

ASSEMBLY INSTRUCTIONS



A	_____	x 1
B	_____	x 1
C	_____	x 1
E	_____	x 1
K	_____	x 2

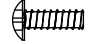

F	_____	x 1
G	_____	x 1
H	_____	x 1
I	_____	x 2
J	_____	x 2

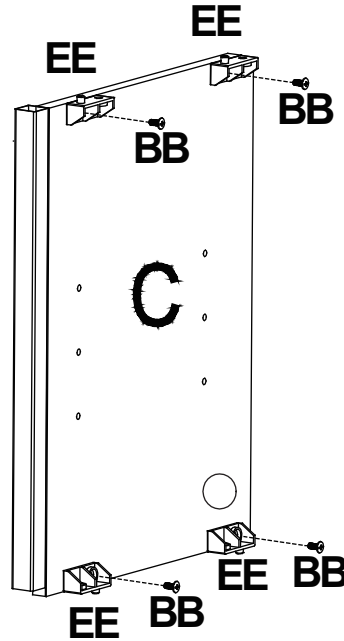
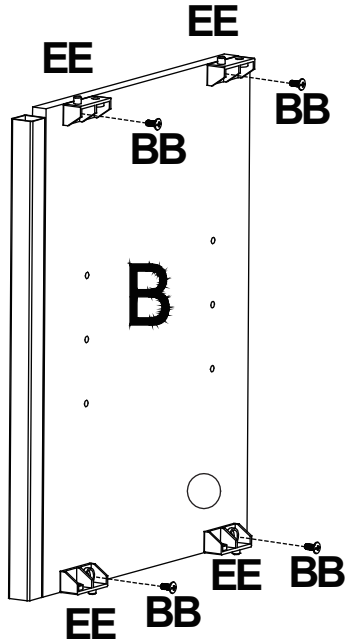
ASSEMBLY




Do not fully tighten screws during assembly. Only tighten when all parts are installed in place.

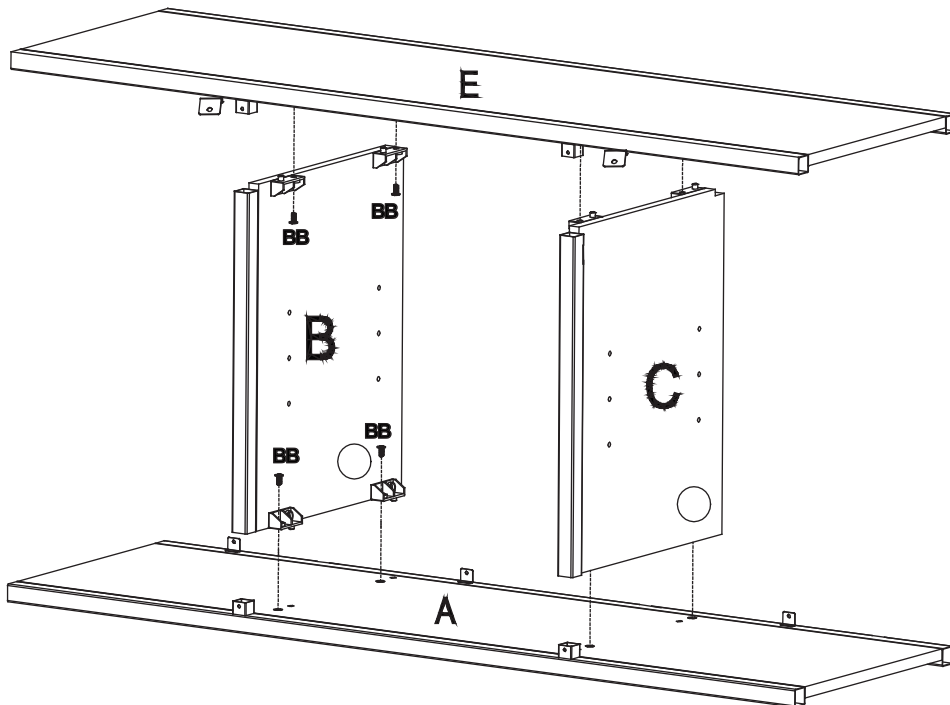
1.

BB		8
EE		8



2.

BB		8
----	---	---



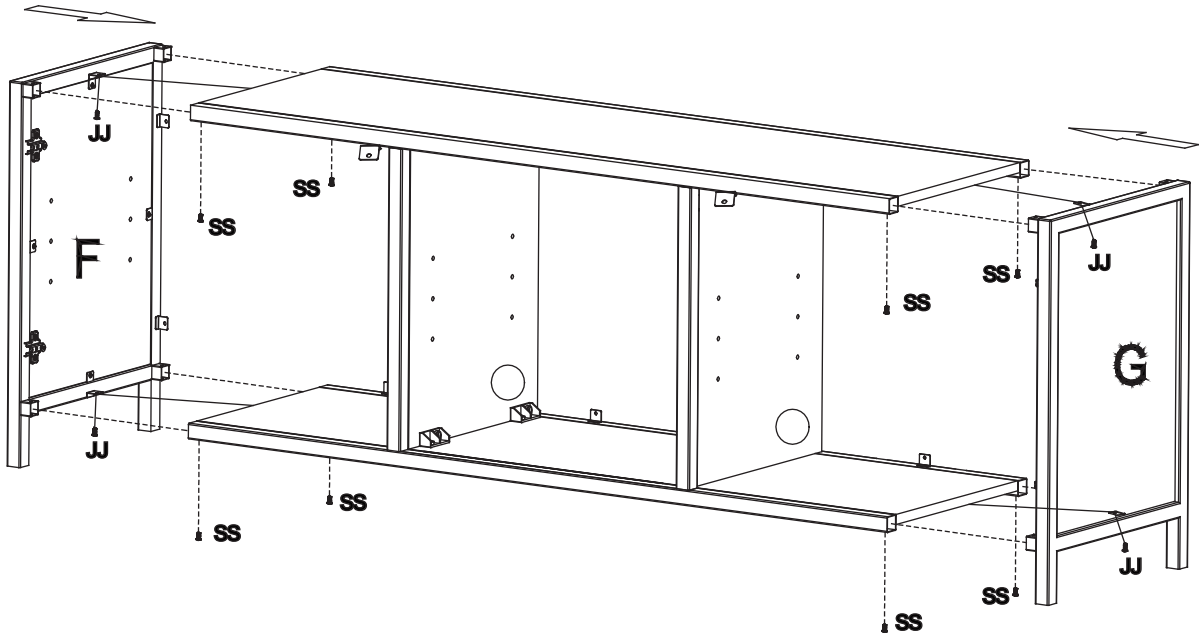
ASSEMBLY



Do not fully tighten screws during assembly. Only tighten when all parts are installed in place.

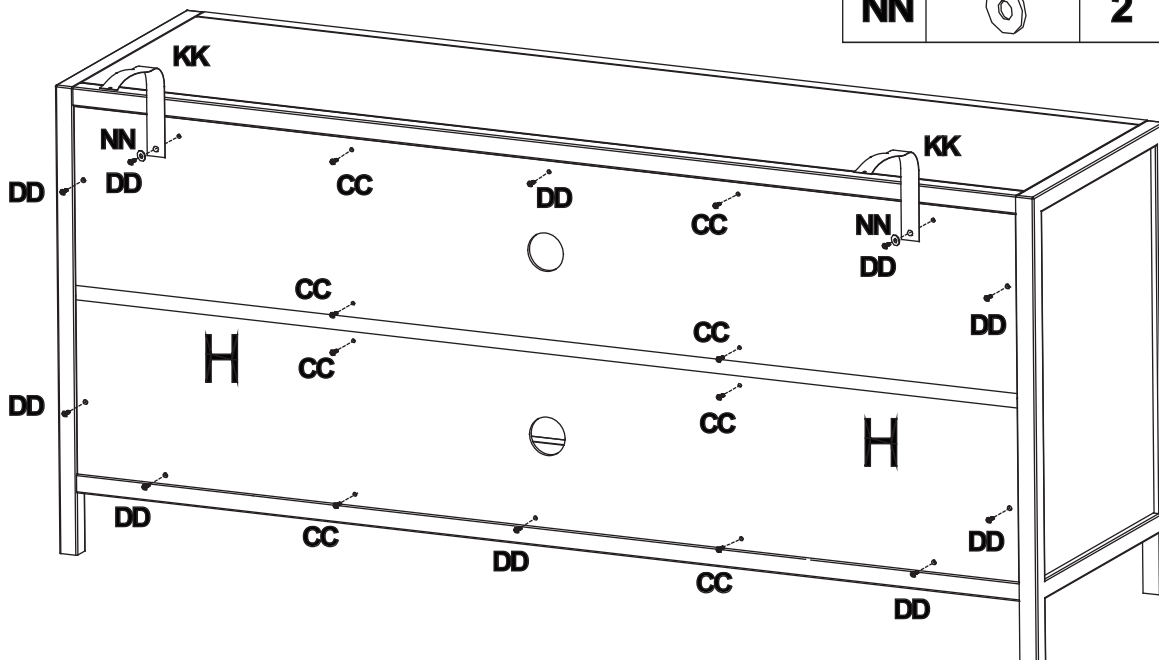
3.

SS		8
JJ		4



4.

CC		8
KK		2
DD		10
NN		2



ASSEMBLY

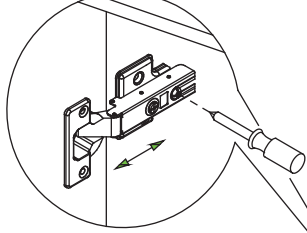


Do not fully tighten screws during assembly. Only tighten when all parts are installed in place.

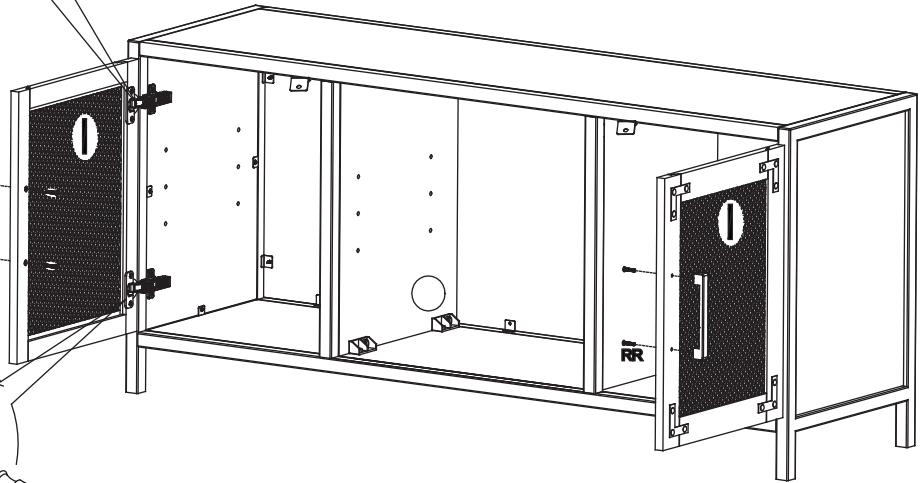
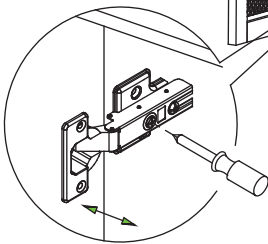
RR		2
----	--	---

5.

STEP: 5a

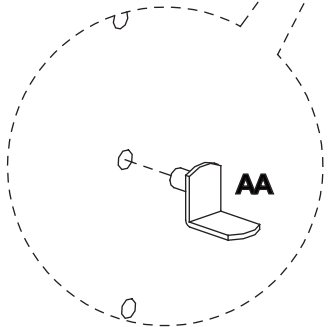
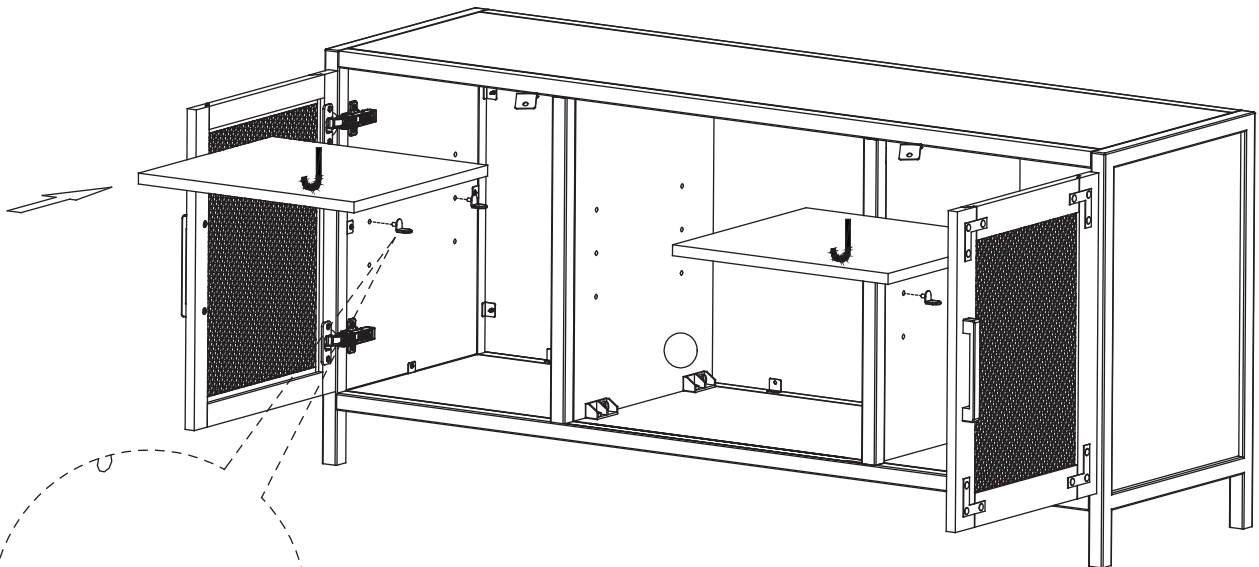


STEP: 5b




6.


AA		8
----	--	---



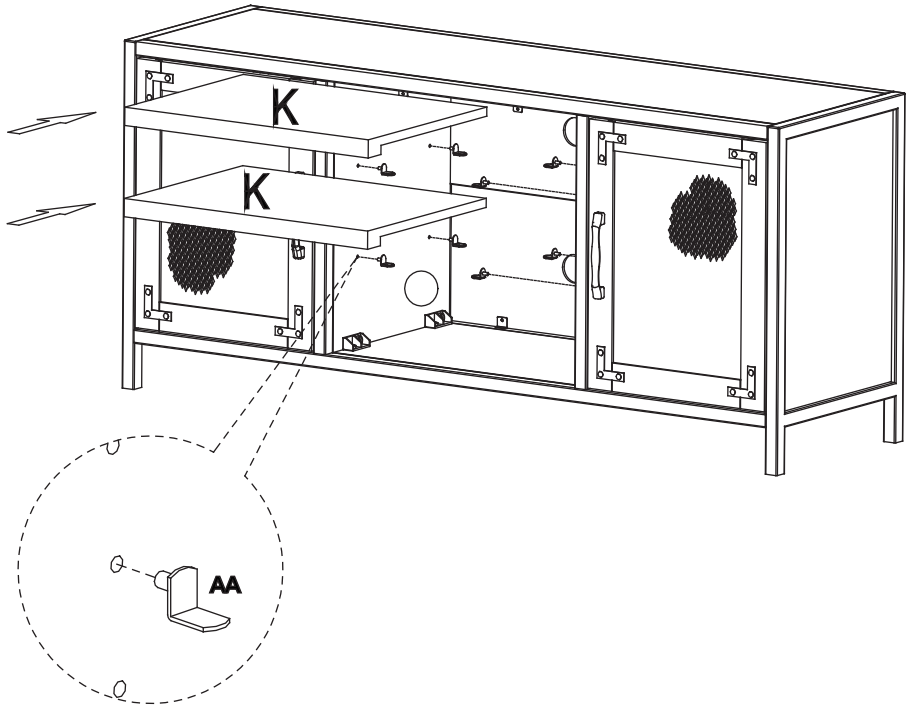
ASSEMBLY



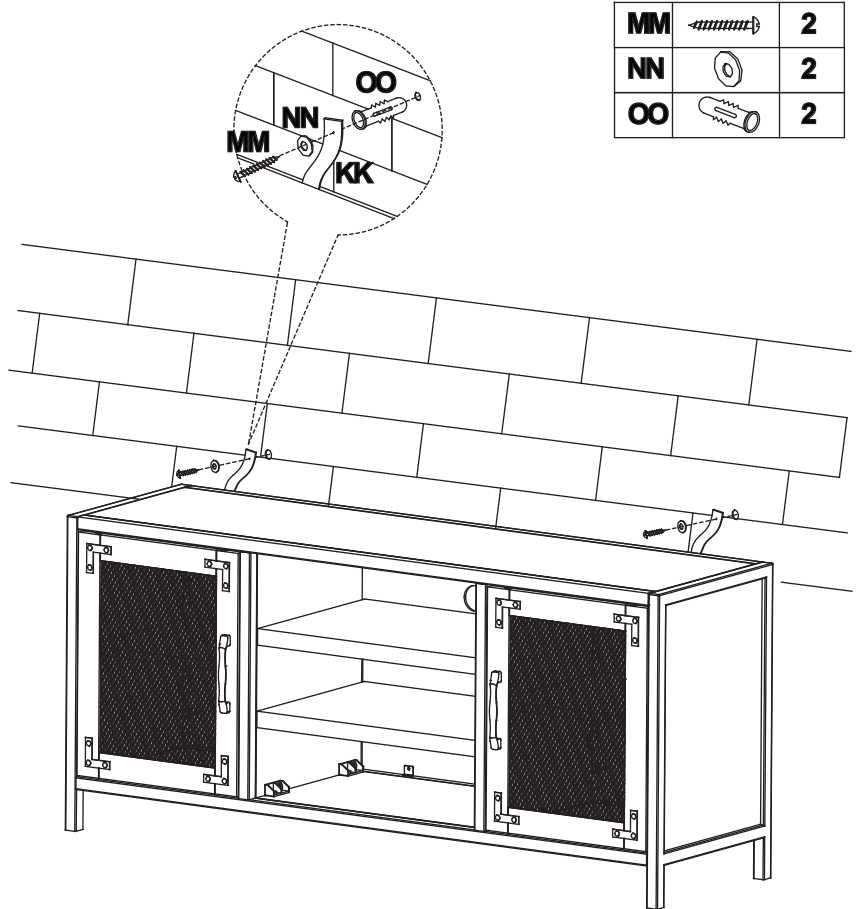
 Do not fully tighten screws during assembly. Only tighten when all parts are installed in place.




AA  8

7.



8.



MM		2
NN		2
OO		2

CARE AND MAINTENANCE //

CLEANING INFORMATION:

- Clean the unit with soft damp cloth, DO NOT use any household cleaners or the product will be damaged.
- Clean the metal trim using a water-dampened, soft, and clean cloth. DO NOT use brass polish or household cleaners as these products will damage the metal trim.
- Never use abrasive cleaners or scouring pads or brushes to clean the media console.
- The HearthPro media console warranty does not cover damage due to improper cleaning, materials or chemicals.



**QUESTIONS, PROBLEMS, OR MISSING PARTS?
Please Contact Customer Service Before Returning to Store**

 www.soupro.com  servicespi@sourceproinc.com  +1-844-455-4621