

# **USER MANUAL**

Ceiling fan

F279-WJ  
F7788-WJ

# 1\_Important Safeguards

- 1.To reduce the risk of electrical shock the electricity has been turned off at the circuit breaker or fuse box before begin.
- 2.All wiring must be in accordance with the National Electrical Code NASI/NFPA 70-1999 and local electrical codes.Electrical installion should be performed by a qualified licensed electrician.
- 3.The outlet box and support structure must be securely mounted and capable of reliably supporting 35ib.(15.9kg).Use only UL listed outlet boxes marked "Acceptable for Fan Support of 35ibs(15.9kg)or less."
- 4.The fan must be mounted with a minimum of7ft.(2m) dearence from the trailing edge of the blades to the floor.
- 5.Do not operate the reversing switch while the fan blades are in motion.You must turn the fan off and stop the blades before you reverse the blade direction.
- 6.Do not place objects in the path of the blades.
- 7.To avoid personal injury or damage to the fan and other items use caution when working around or cleaning the fan.
- 8.Electrical diagrams are for reference only.Light kits that are not packed with the fan must be UL-li'sted and marked suitable for use with the model fan you are installing.Switches must be UL General Use Switches.Refer to the instructions packaged with the light kits and switches for proper assembly.
- 9.After making electrical connections,spliced conductors should be turned upward and pushed carefully up into the outlet box.The wires should be spread apart with the grounded conductor and the equipment-grounding conductor on one side of the outlet box.
- 10 .All setscrews must be checked and retightened where necessary before installation.



Remove the rubber motor stops on the bottom of the fan before installing the blades or testing the motor.



To reduce the risk of fire or electric shock,do not use this fan with any solid-state speed control device.



To avoid possible electrical shock,turn the electricity off at the main fuse box before wiring.It you feel you do not have enough electrical wiring knowledge or experience,contact a licensed electrician.



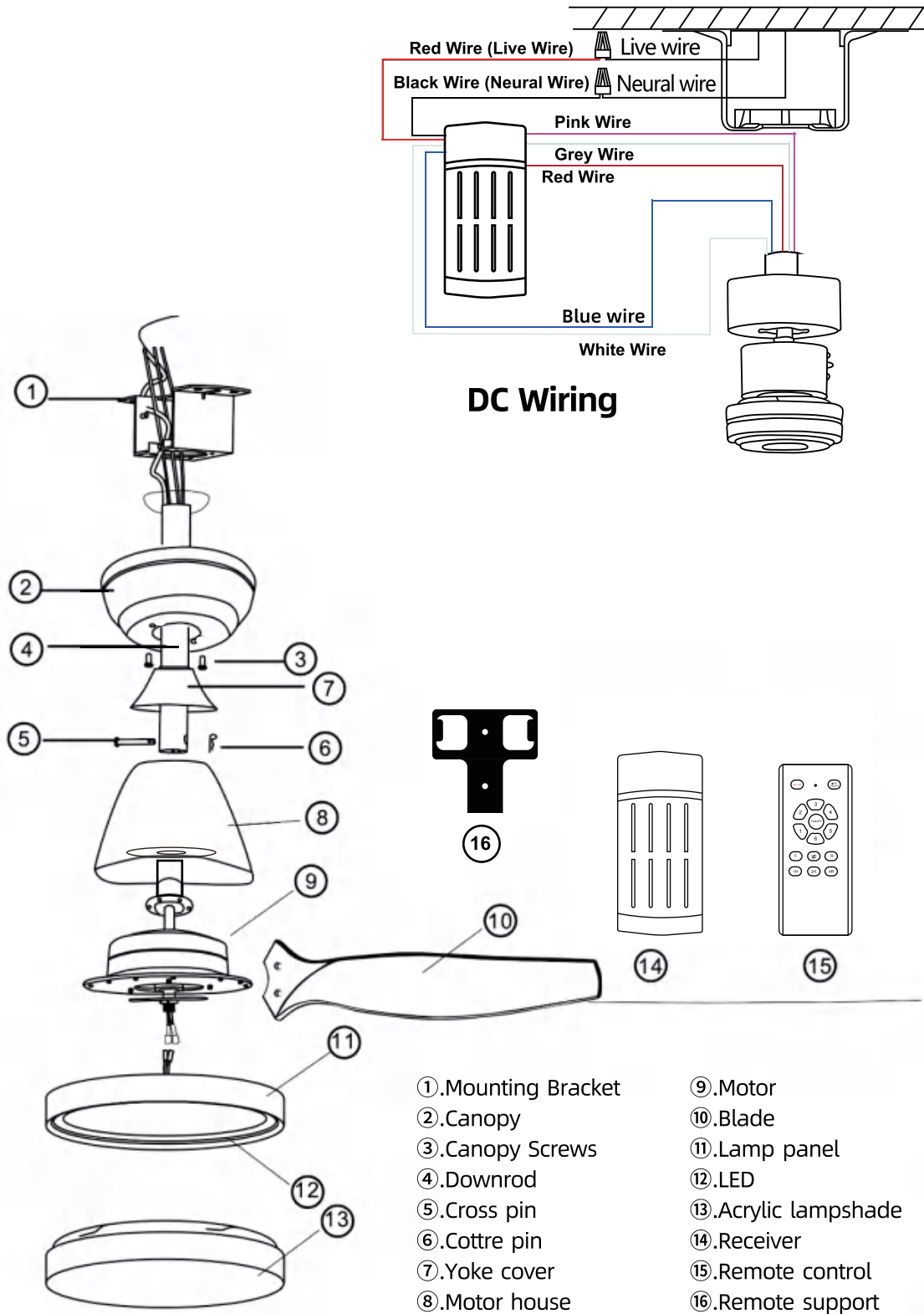
Electrical diagrams are for reference only.Optional use of any light kit shall be UL-listed and marked suitable for use with this fan.



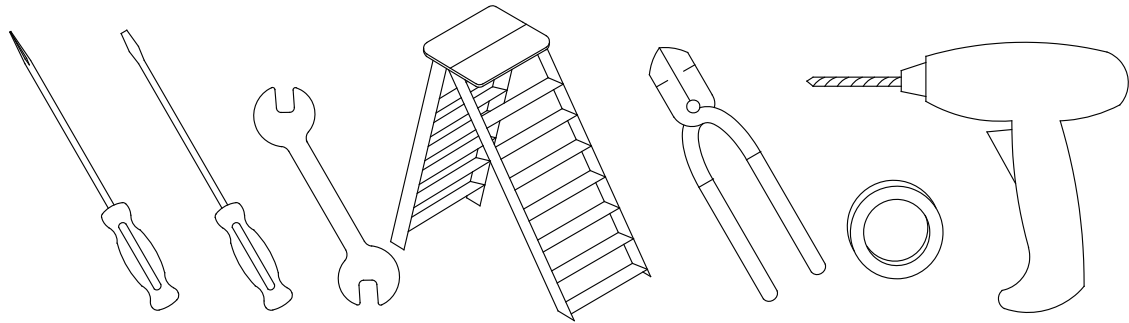
To reduce the risk of fire,electric shock,or personal injury.mount to outlet box marked' Acceptable for fan support of 35 lbs.(15.9 kg) or less."and use the screws provided with the outlet box.

# 2\_Installation Instructions

## 2.1\_Pre-installation



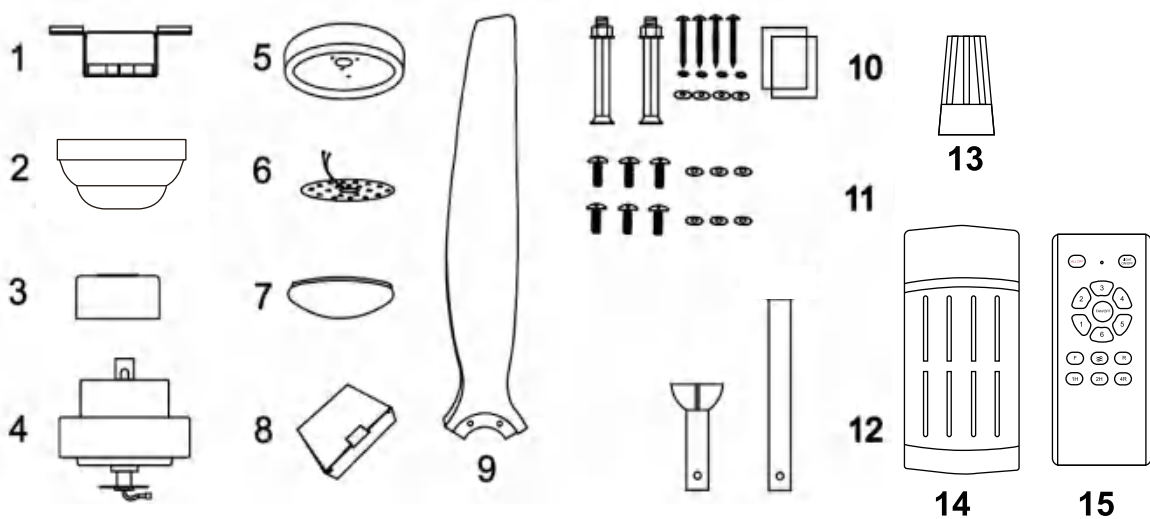
## 2.2\_Tools Needed



You may need the tools below:

Screwdrivers	Wrench	Ladder
Wire Strippers	Insulation Tape	Power drill

## 2.3\_Parts Inventory

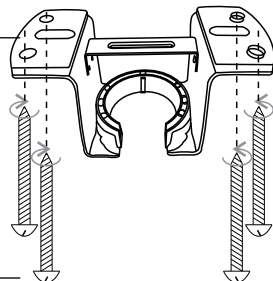


- |                               |  |
|-------------------------------|--|
| 1.Mounting Bracket..... ×1    | 9.Wood Blades ..... ×3                     |
| 2.Top Canopy..... ×1          | 10.Mounting Screws Kit ..... ×1            |
| 3.Downrod Canopy..... ×1      | 11.Blades Screws ..... ×6                  |
| 4.Motor Body..... ×1          | 12.Downrods(4"/8") ..... ×1                |
| 5.Light Mounting Box ..... ×1 | 13.Plastic wire nut (not to scale)..... ×3 |
| 6.LED Board ..... ×1          | 14.Receiver ..... ×3                       |
| 7.Acrylic lampshade..... ×1   | 15.Remote control ..... ×1                 |
| 8.Remote Control Kit ..... ×1 |  |

## 2.4\_Installation of the hanging bracket(suspension part)

### 2.4.1\_Woodenceling

Mounting Bracket<A>



Self tapping screw<B>

For wooden ceiling,use wood screw to drill on the wooden beam or the "junction box" to fix the hanging bracket (selection is made according to actual requirements of the customers).

### 2.4.2\_STEP 1A-WOODEN CEILING

SWITCH OFF THE ELECTRICAL MAINS AT THE CIRCUIT BREAKER FUSE BOX.

- 1.Use the Mounting Bracket (A) as a guide,mark the spots where the 4 Self Tapping Screws (B) will be drilled.
- 2.Remove the Mounting Bracket (A),drill 4 holes for 3MM diameter,install the mounting bracket onto wooden ceiling with the 4 Self Tapping Screws (B).

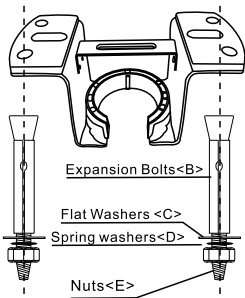


**IMPORTANT :**

**SCREWS MUST BE TIGHTENED TILL SNUG**

### 2.4.3\_CONCRETE CEILING

Mounting Bracket<A>



**Note:** According to the ceiling of different materials, use different screws to fix the hanging bracket. Don't fix the hanging bracket on the wood ceiling less than 12MM to prevent danger caused by loosening of screws. After the hanging bracket is completed, ensure that it can withstand the tension test of more than 68KG for safety.

For concrete ceiling,use the percussion bit with diameter 8mm to drill holes according to the length of expansion screws. Then use the attached expansion screws to fix the hanging bracket onto the ceiling (selection is made according to actual requirements of the customers).

### 2.4.4\_STEP 2A-CONCRETE CEILING

SWITCH OFF THE ELECTRICAL MAINS AT THE CIRCUIT BREAKER FUSE BOX.

- 1.Use the Mounting Bracket(A) as a guide, mark the spots where the 4 Expansion Bolts (B) will be drilled.
- 2.Remove the Mounting Bracket(A),drill 4 holes and insert 4 Expansion Bolts (2) into the concrete ceiling,install the mounting bracket and secure with Flat Washers (C), Spring Washers (D) and Nuts (E).

**IMPORTANT:SCREWS & NUTS MUST BE**

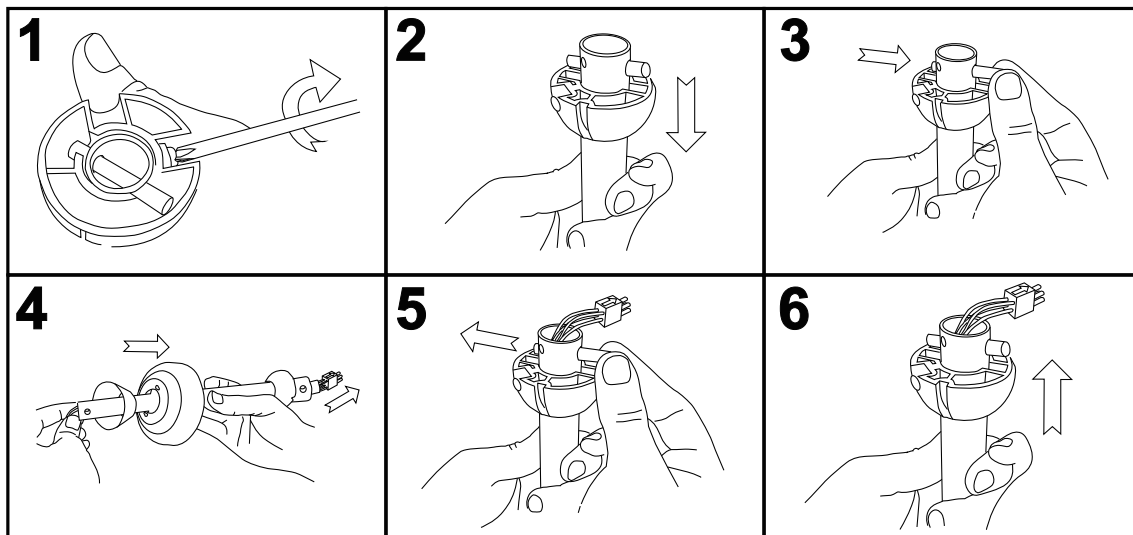
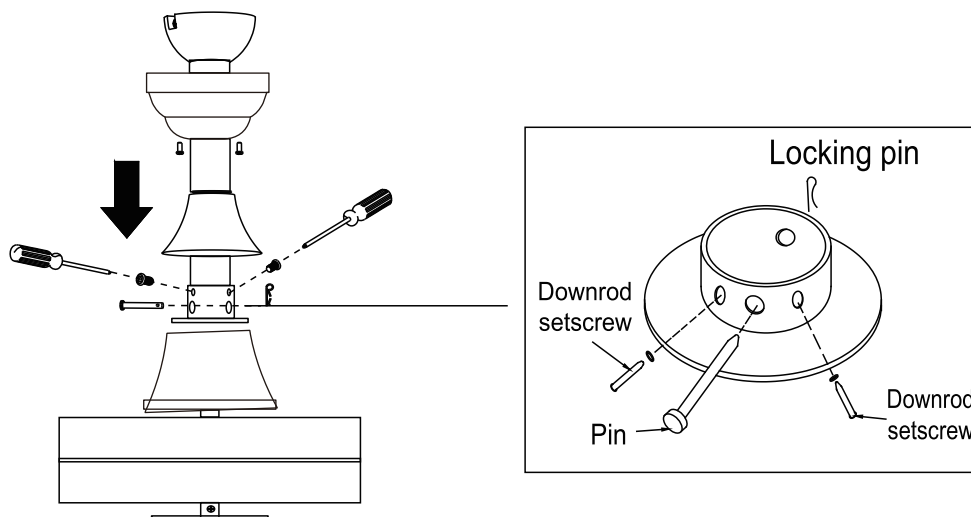
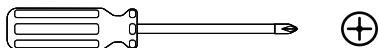


**TIGHTENED TILL SNUG**

## 2.5\_Install the hanging part of the ceiling fan.

### 2.5.1\_Install downrod assembly

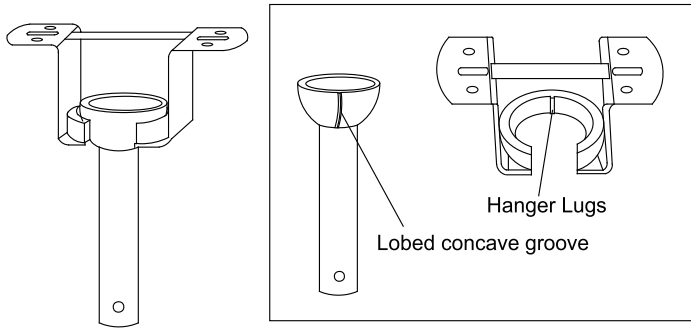
Phillips screwdriver



1. Thread the suspender through the suspended clock and coupling cover .
2. Then insert the tail of the suspender from the lifting head of the motor.
3. After the lateral pin is threaded out from the suspended head position, insert R type pin.
4. Tighten the lifting head screws.
5. Hang the fan of the hanging pipe into the hanger.

## 2.6\_Assembly - Hanging the Fan(continued)

### 2.6.1\_Mount Fan to Bracket

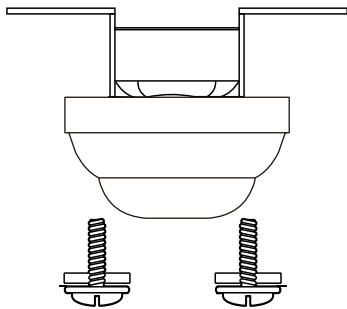


Lift the fan assembly onto the mounting bracket. Ensure the registration slot of the hanger ball is positioned on the stopper of the mounting bracket to prevent the fan from rotating when in operation.



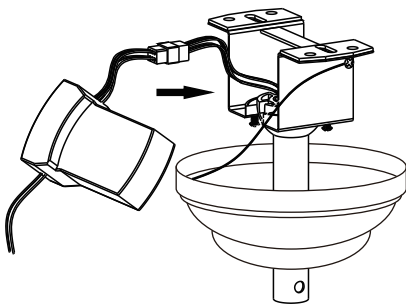
#### Tips:

Seek the help of another person to hold the stepladder and hang the fan body for you.



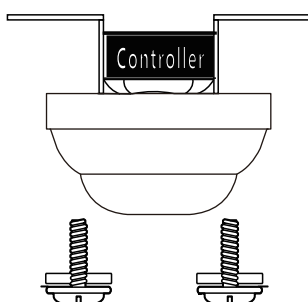
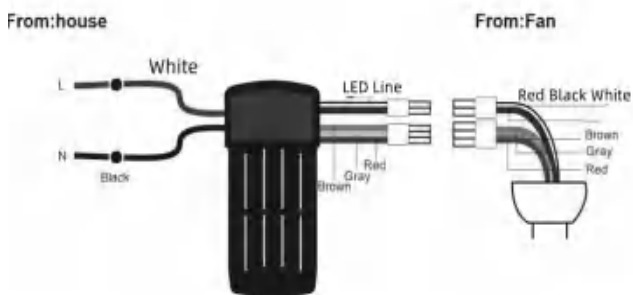
### 2.6.2\_Preparing for mounting

1. Remove the mounting bracket from the canopy by loosening the two canopy screws located in the L shaped slots.
2. Remove and save the two canopy screws in the round holes. This will enable you to remove the mounting bracket.



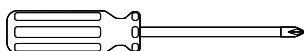
### 2.6.3\_Install remote control

1. Carefully push the canopy to the bottom of the mounting bracket, make two sliding holes aligned to the two prominent screws on the mounting bracket, and then turn clockwise until tight.
2. Push the canopy ring to the bottom of the canopy, slide the inner holes aligned to the two prominent screws on the mounting bracket again, and turn the canopy ring clockwise until tight.



### 2.6.4\_Preparing for mounting

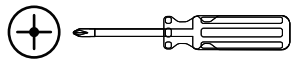
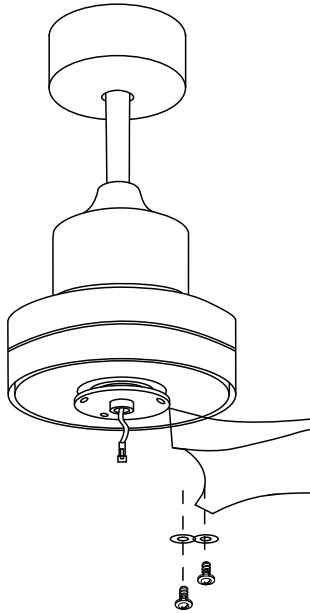
1. Remove the mounting bracket from the canopy by Controller loosening the two canopy screws located in the L shaped slots.
2. Remove and save the two canopy screws in the round holes. This will enable you to remove the mounting bracket.



Phillips screwdriver

## 2.7 Assembly - Attaching the Fan Blades

### 2.7.1 Fastening the blade to the motor



Phillips screwdriver



**NOTE:**

Your fan blades are reversible. Select the blade side finish which best accentuates your decor.



**NOTE:**

Your fan features revolutionary advancements for quick and easy blade installation. Including an alignment post and captive blade arm screws.



**WARNING:**

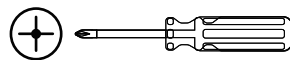
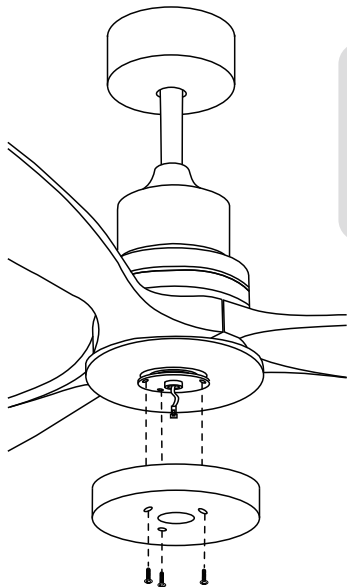
Remove the rubber motor stops on the bottom of the fan before installing the blades or testing the motor.

Insert a blade screw from the package through the blade hole and position it under the motor so that the screw is aligned with the "center" hole position of any group of two screw holes.

1. Fasten the Blade to the fan-motor assembly by inserting the alignment post into the slot on the bottom of the motor and tightening the pre-installed Blade screws.
2. Repeat this step for the remaining blade assemblies.

## 2.8 Assembly - Attaching the Lights

### 2.8.1 Install the lamp fitter



Phillips screwdriver

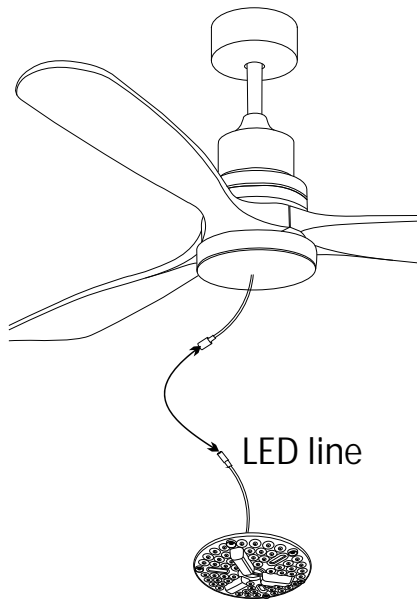


**CAUTION:**

To reduce the risk of electric shock, disconnect the electrical circuit to the fan before installing the light fixture.

1. Remove three screws from the plate which on the motor.
2. Use these three screws assemble the light kit fitter.

### 2.8.2\_Connecting lamp wire

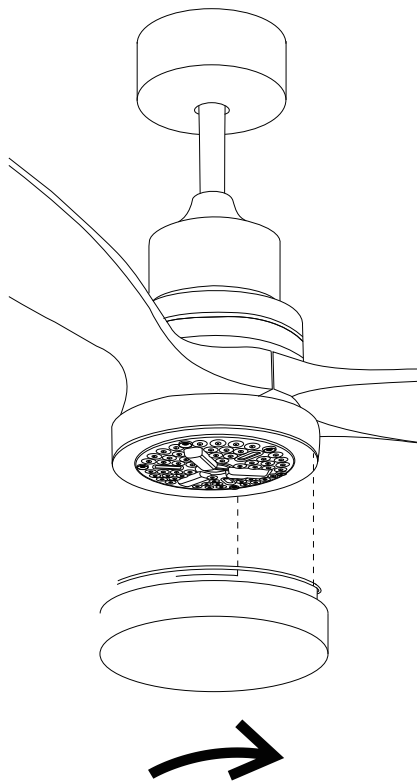


**CAUTION:**

To reduce the risk of electric shock, disconnect the electrical circuit to the fan before installing the light fixture.

Connect the LED light cable with the fan light cable

### 2.8.3\_Install the lamp cover



**WARNING:**

Allow the shatter resistant bowl to cool completely before removing.



**CAUTION:**

Make sure the power is off before attaching or removing the shatter resistant bowl.

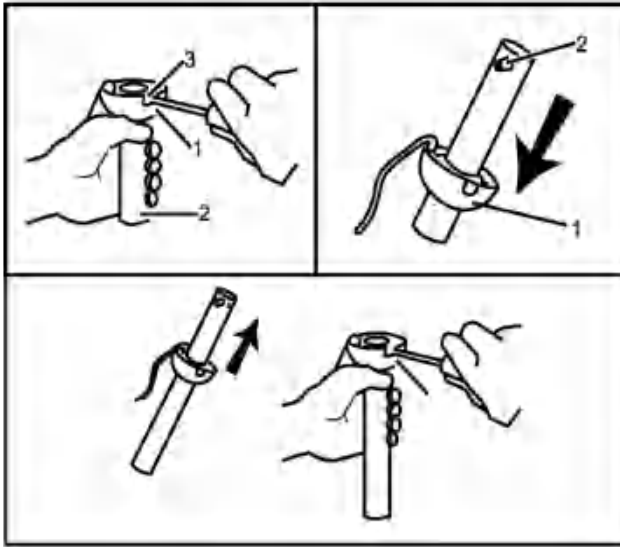


**CAUTION:**

Do not over tighten the hex nut, over tightening the hex nut may cause the shatter resistant bowl to break.

Install the lamp cover as shown

## 2.9\_Change Downrod (OPT)



The Ceiling Fan comes with 8 inches and 8 inches downrod which is preassembled and attached in the hanger ball, one longer 8 inches downrod is also included for higher ceilings. If you need a different downrod length, please follow these steps:

- ❶. Loosen the hanger ball from ball from downrod by removing set screw.
- ❷. Slide downrod ball off of downrod and remove pin.
- ❸. Re-install pin into extended downrod, and slide downrod ball up to the of the downrod.
- ❹. Re-install set screw to secure ball to downrod.

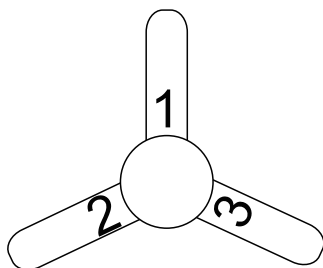
## 2.10\_Fans Balance

### 2.10.1\_How to use the Rubber Plastic Balance Kit

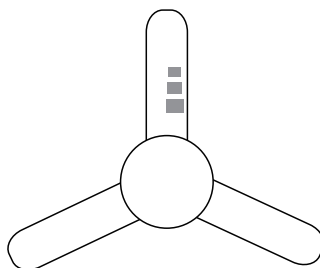
❶. Ceiling fan blade rubber plastic balance kit to easily locate problem areas and self-adhesive 5 gram weight to help correct wobble. Ceiling fan balancing kits not only help prevent ceiling fan wear, but also reduce noise.

They can be cut into small pieces and combined into other weight groups as desired, such as 1g, 2g, 3g and 4g.

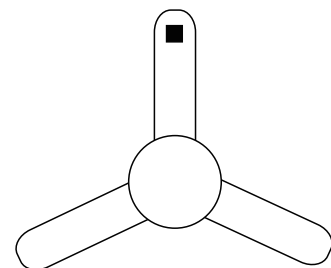
### 2.10.2\_Method:



❶. Turn off the fan, select a blade and place a balance clip on it (between the blade holder and the blade tip at the trailing edge of the blade)

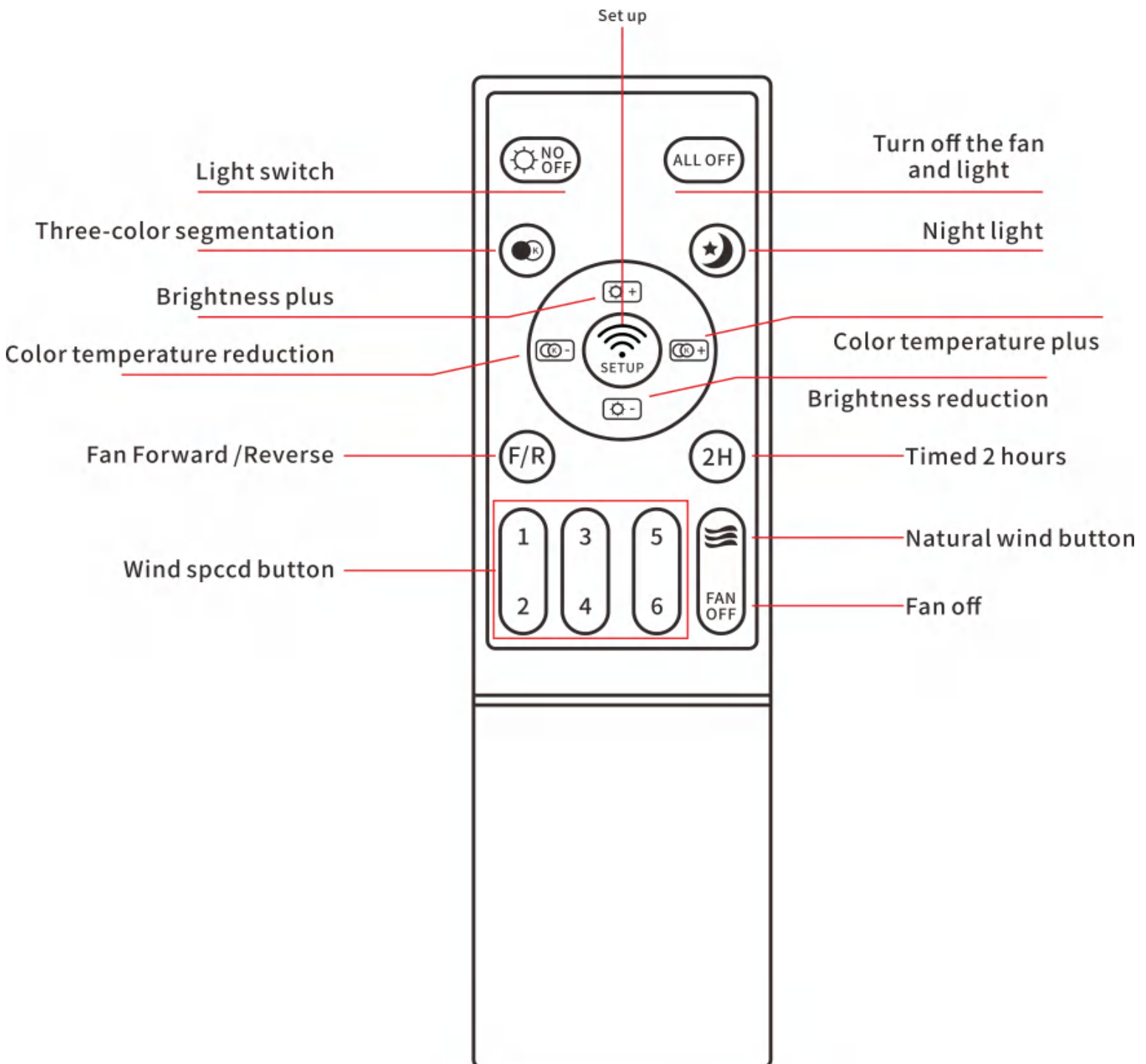


❷. Turn on the fan, check if the jitter is improved, turn off the fan again, move the clips to the other blades one by one and repeat the above steps for all blades until the blade with the greatest improvement is found, then REMARK IT.



❸. Paste a thin strong self-adhesive 5g counterweight to the position where the clip is located. You can split the weights if necessary.

# Remote control operation instructions



When the remote control cannot control the fan light, you can use the following method to code:

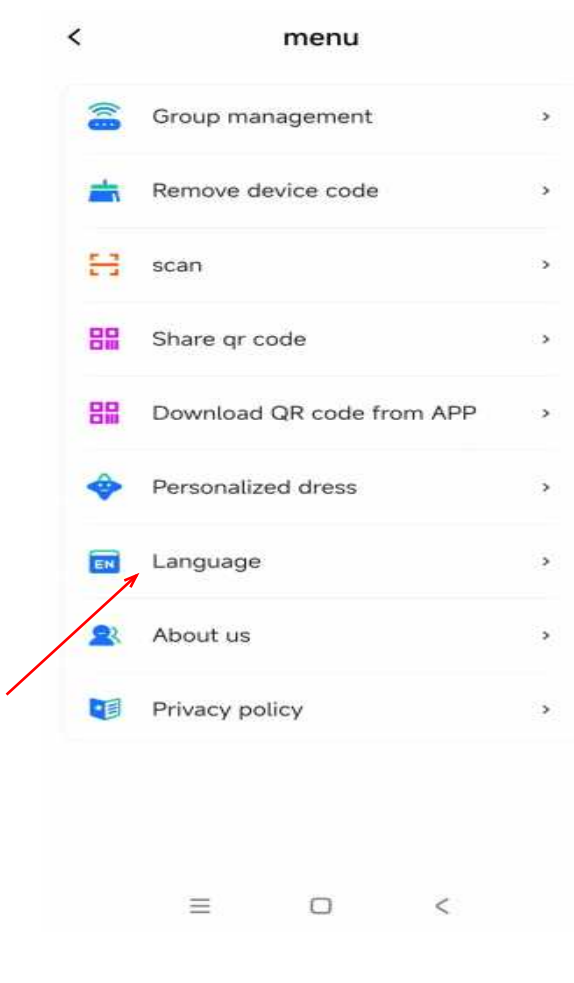
first turn off the power switch (wall or main switch), then turn it back on after 10 seconds. Once you see the light on, immediately press and hold the "SETUP" button on the remote control for 5 seconds .

## REMOTE CONTROL - APP

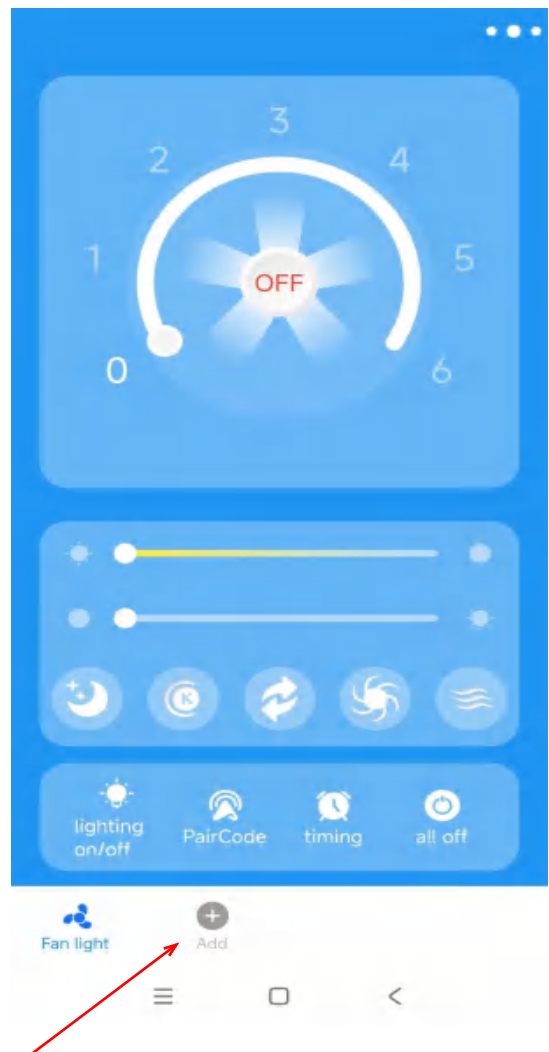


1) Scan the below Barcode

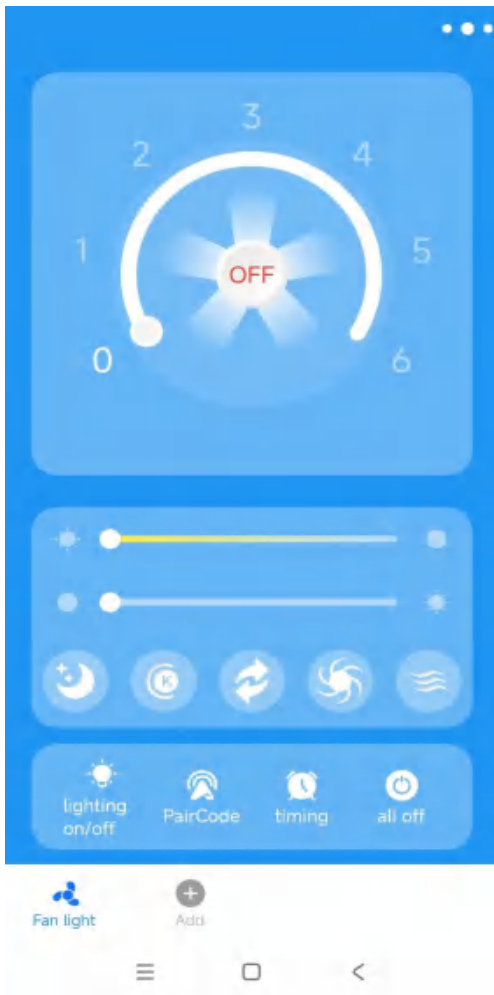
2) Select the browser to open the download link



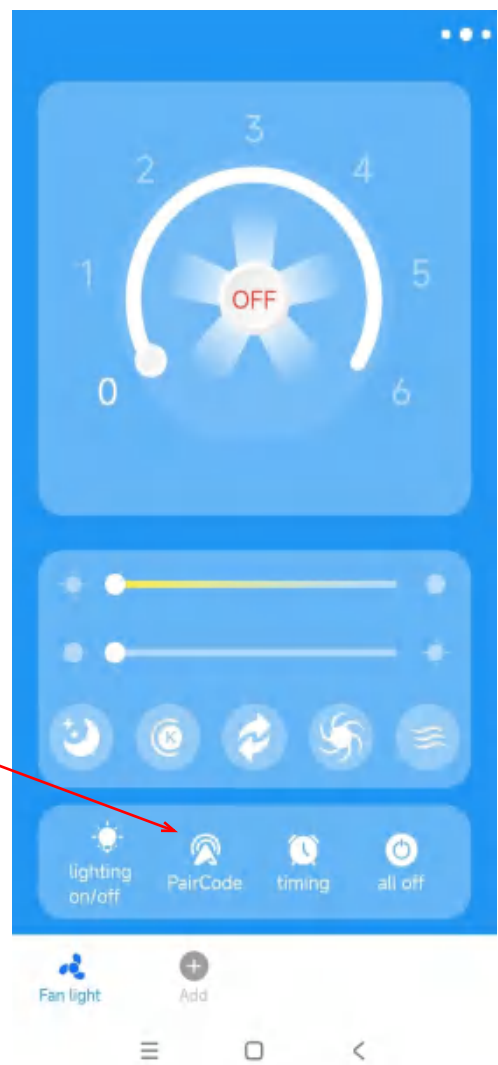
3 ) Choose Language and set room information



4 ) Enter Room interface and click the fan control interface into main control interface



Click this code button



5 ) Enter the main control interface

6 ) Open the Bluetooth setting from smart phone, Smartphone is waiting to connect the new blue tooth device;

7 ) "OFF" the electric power supply firstly.

8) Then " turn on" the power again and quickly click on the code check button 5 times,

9 ) The pair button is in green, the Bluetooth device of Fan lamp had been connected with Smart phone, App could control the Fan lamp now;