

# Savannah

Model # 5859

## Savannah 16in Patio Planter



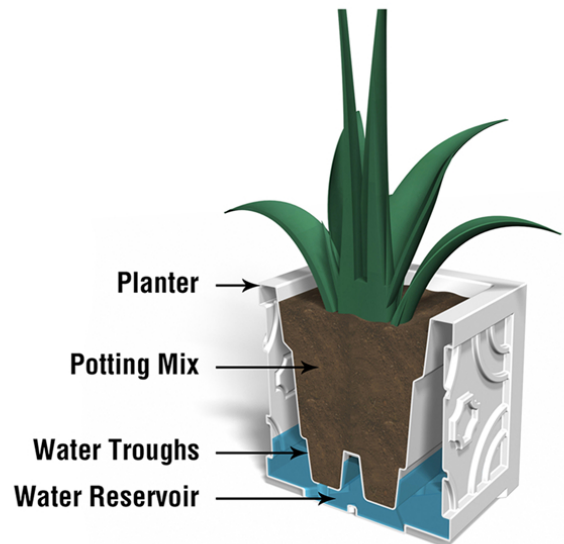
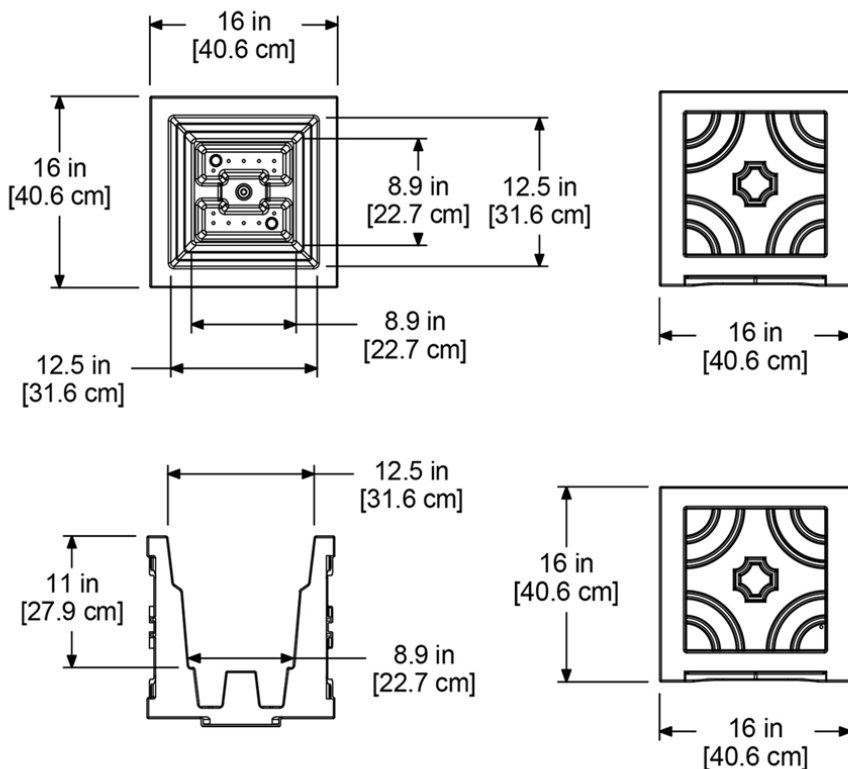
### DESCRIPTION

The Savannah planter features a gothic motif with a modern flare. The 16 inch square size takes up minimal space making it a perfect addition to the front porch. The sub-irrigation water system encourages root growth and creates a self-watering effect so you can water less, saving time & money.

- Molded polyethylene planter with UV inhibitors
- Weather resistant, low maintenance material
- Features a double wall design creating a water reservoir
- Warranty: 15-Yr Residential Use / 5-Yr Commercial Use

### PRODUCT DIMENSIONS

**Outside Dimensions:** 16in L x 16in W x 16in H (40.6cm x 40.6cm x 40.6cm)  
**Inside Dimensions:** 12.5in L x 12.5in W x 11in D (31.6cm x 31.6cm x 27.9cm)  
**Soil Capacity:** 5 Gallons (18.9 Liters)  
**Water Reservoir Capacity:** 3.7 Gallons (14 Liters)  
**Wall Thickness:** 0.12in (3mm)  
**Part Weight:** 8.5lbs (3.9kg)  
**Material:** Polyethylene



**MAYNE**<sup>®</sup>  
Outdoor Products of Distinction

7024 Kilbourne Rd - Unit A London, ON N6P 1K6  
Tel: 866-363-8834 | [www.gomayne.com](http://www.gomayne.com)  
[customerservice@gomayne.com](mailto:customerservice@gomayne.com)