



Jacquard™
Medicine Cabinet Surround
K-99661-24

Features

- Designed to fit K-99006 and K-99007 Verdera™ medicine cabinets (sold separately)
- Designed to complement the transitional style of Jacquard vanities
- Catalyzed conversion varnish provides a durable moisture-resistant finish
- Mounts directly to wall for easy installation

Material

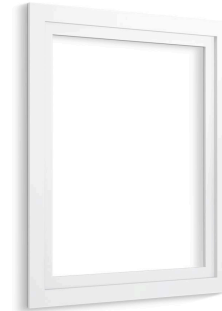
- Solid wood and veneers

Required Products/Accessories

K-99006 Medicine Cabinet
K-99007 Medicine Cabinet

Optional Products/Accessories

K-99007-SCF Medicine Cabinet

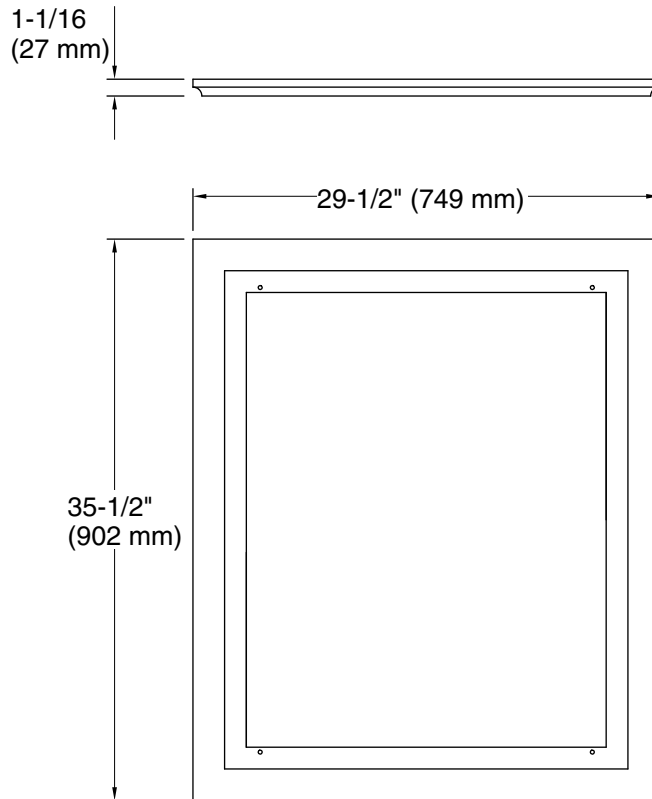


Codes/Standards

None Applicable

**KOHLER® One-Year Limited
Warranty**

See website for detailed warranty information.



Technical Information

All product dimensions are nominal.

Notes

Install this product according to the installation guide.