

Installation Instruction

VA-2019 SERIES



For easy installation of your faucet, please ensure the following:

- Read thoroughly all the instructions before installing the faucet.
- Read and understand all warnings
- Check all the components in the package.

PLEASE CAREFULLY READ THIS INSTRUCTIONS MANUAL BEFORE INSTALLING AND USING THE PRODUCT.

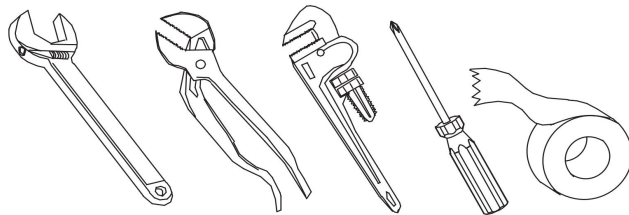
PLEASE KEEP THIS INSTRUCTION MANUAL FOR FUTURE REFERENCE REGARDING PRODUCT OPERATION AND MAINTENANCE.

Attention: Before you install the faucet,

- 1) Please make sure the direction of the faucet should face to.
- 2) Please divided the hot water and cold water.
- 3) Please make sure you shut off the water supply.

Tools you may need.

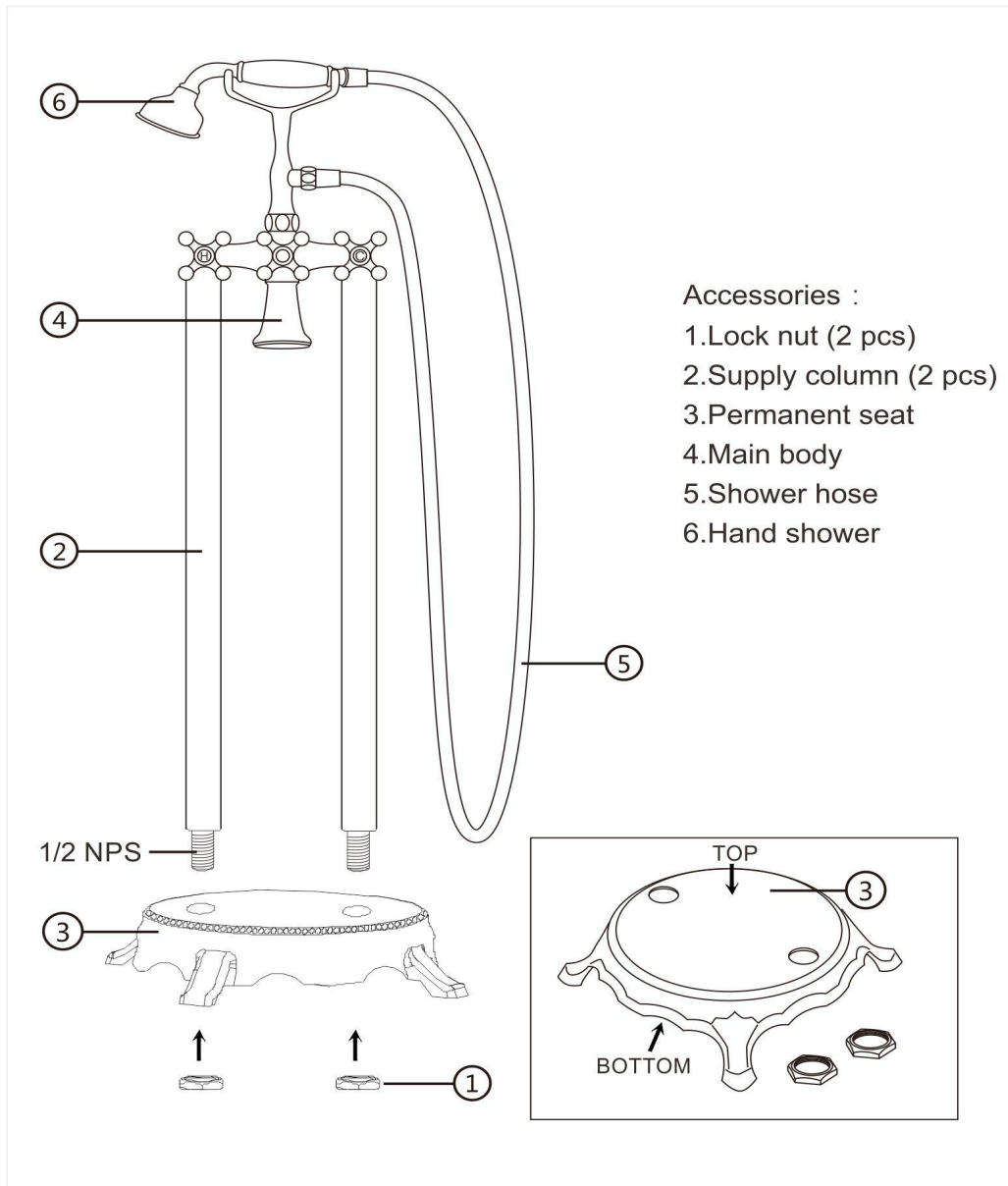
- Adjustable Wrench
- Pliers
- Pipe Wrench
- Screwdriver
- Teflon Tape



Cleaning and Care

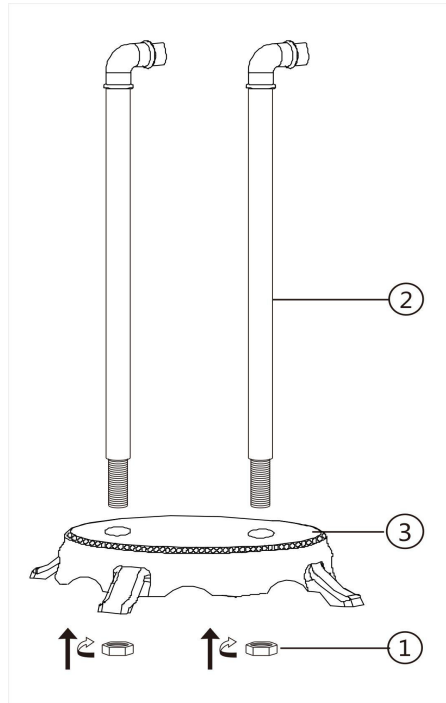
Care should be exercised when cleaning this product. Although its finish is durable, it can be damaged from harsh abrasives and cleaning pads. To clean, use light, non-abrasive cleaning solution or cleaning polish.

Package contents

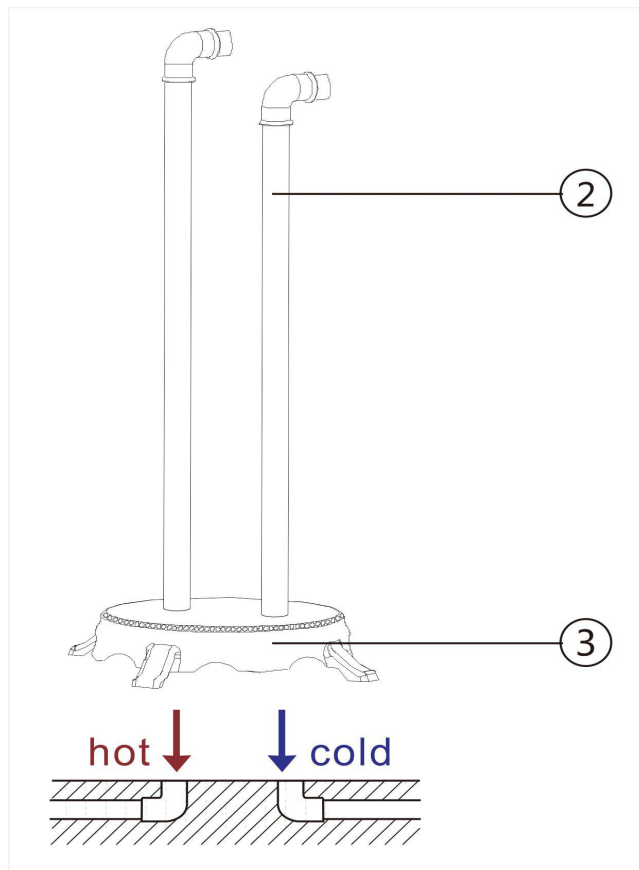


Installation steps

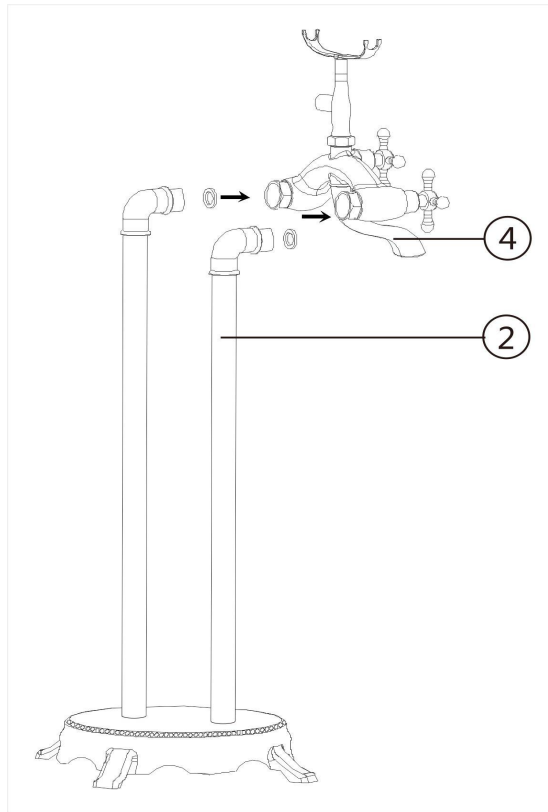
- 1 Insert the two supply columns (#2) from the top to the permanent seat(#3), and use the lock nuts (#1) to lock them from the bottom of the permanent seat. Make sure to adjust the two elbows face to the bathtub.



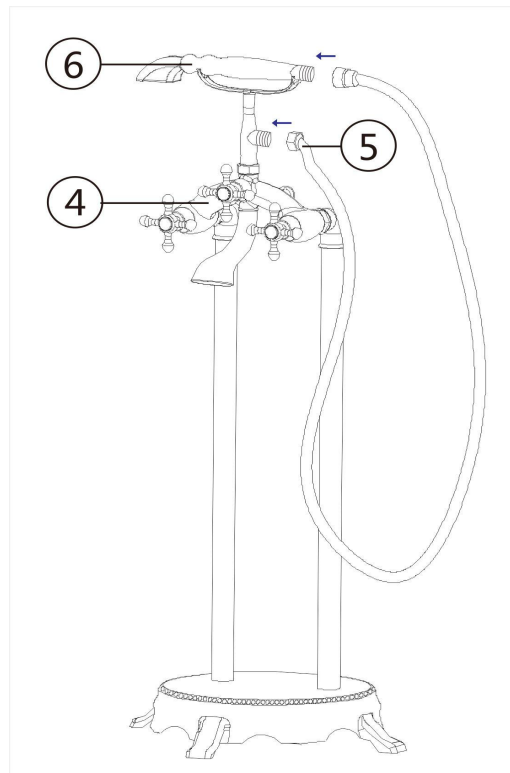
- 2 Connect the supply column(#2) to your supply hoses.



- 3 Lock the body(#4) to the elbow of supply columns(#2).



- 4 Install the shower hose(#5) to the faucet body(#4), and the hand shower(#6) to the hose(#5)



Note: This instruction manual is written for universal use and may be subjected to specification variance of actual parts.