

## PRODUCT SPECIFICATIONS

Project Name \_\_\_\_\_ Date \_\_\_\_\_



Type or Model \_\_\_\_\_ Qty \_\_\_\_\_

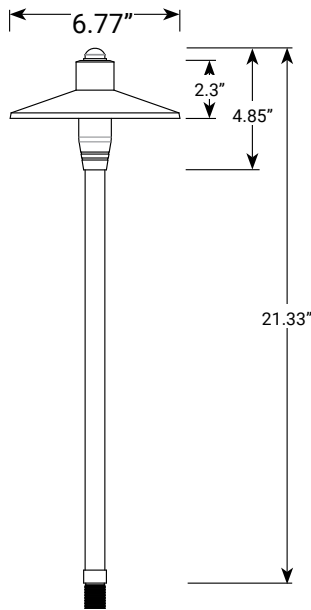
# VOLT® Low Voltage Landscape Lighting

## VOLT® LPL-PLKIT3

### PRODUCT DESCRIPTION

This area light is a professional-grade low voltage (12V) light that comes with a 3W LED G4 BiPin bulb and mounting stake. Equipped with a 4-foot pre-stripped copper lead wire, this fixture can be easily positioned wherever it's needed in your landscape. It is constructed of durable, high-quality brass with an antique bronze finish. This fixture looks, feels, and performs like a commercial-grade product despite its economical pricing. This path light is ideal for illuminating ground-level features like walkways, driveways, garden beds and patios.

### PRODUCT DIMENSIONS



### SPECIFICATIONS

- **Construction:** Brass
- **Finish:** Bronze
- **Lead Wire:** 18 AWG
- **Light Source:** LED G4- Bi-Pin
- **Operating Voltage:** 12VAC
- **Powered by:** VOLT's Low Voltage Transformer
- **Watts:** 3W
- **Lumens:** 100lm
- **Color Temperature:** 2700K

### WARRANTY

Lifetime Warranty

### CERTIFICATIONS



LISTED File # E466348



LISTED File #E466348

### FEATURES & BENEFITS

- Solid Brass Construction.
- Pre-aged finish; natural patina that does not corrode.
- Rubber plug to protect the wire entry point from moisture
- Strip resistant threading provides superior mounting stability