



SPECIFICATIONS

C106SIX-PT Wall Oven



Size	24 Inch / 2.9 cu. ft. Capacity
Fuel	Electric
Installation	Built-in Wall
Controls	Soft Touch with LED Display
Convection	Turbo True European
Material	Stainless Steel
Electrical	240V / 60Hz, 15A, 3250W
Racks	2 Racks, 5 Positions
Oven Functions	Turbo True European Convection, Lower Heater, Upper & Lower Heater, Upper & Lower Heater Convection, Full Grill, Double Grill, Double Grill Convection, Defrost
Included Components	Drip / Broiler Pans, 2 Racks, Installation Kit, Power Cord

C106SIX-PT

The perfect piece for any contemporary kitchen, Cosmo's C106SIX-PT Electric Oven cooking features include Convection, Upper & Lower Heater, Grill, and more. The compact size reduces energy consumption while providing ample space to prepare meals with ease and efficiency.

Features

- Designed for built-in mounting
- 2.9 cu. ft. oven capacity
- Turbo True European Convection
- 8 Oven functions
- Triple layer glass door
- Cavity cooling ventilation system
- Soft touch controls with LED display
- Brushed stainless steel finish



Oven Light



Triple Layer Glass



Soft Touch Controls

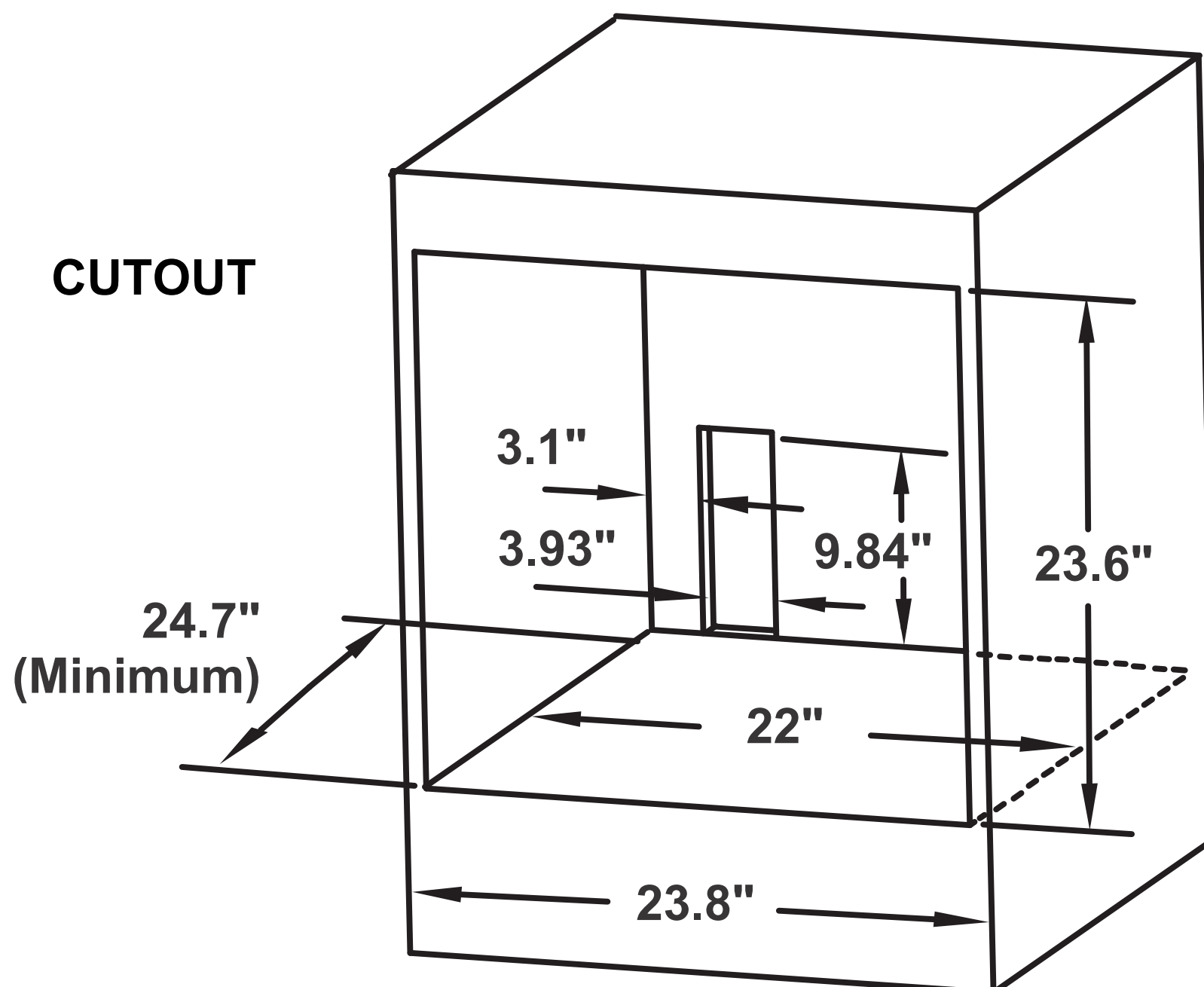
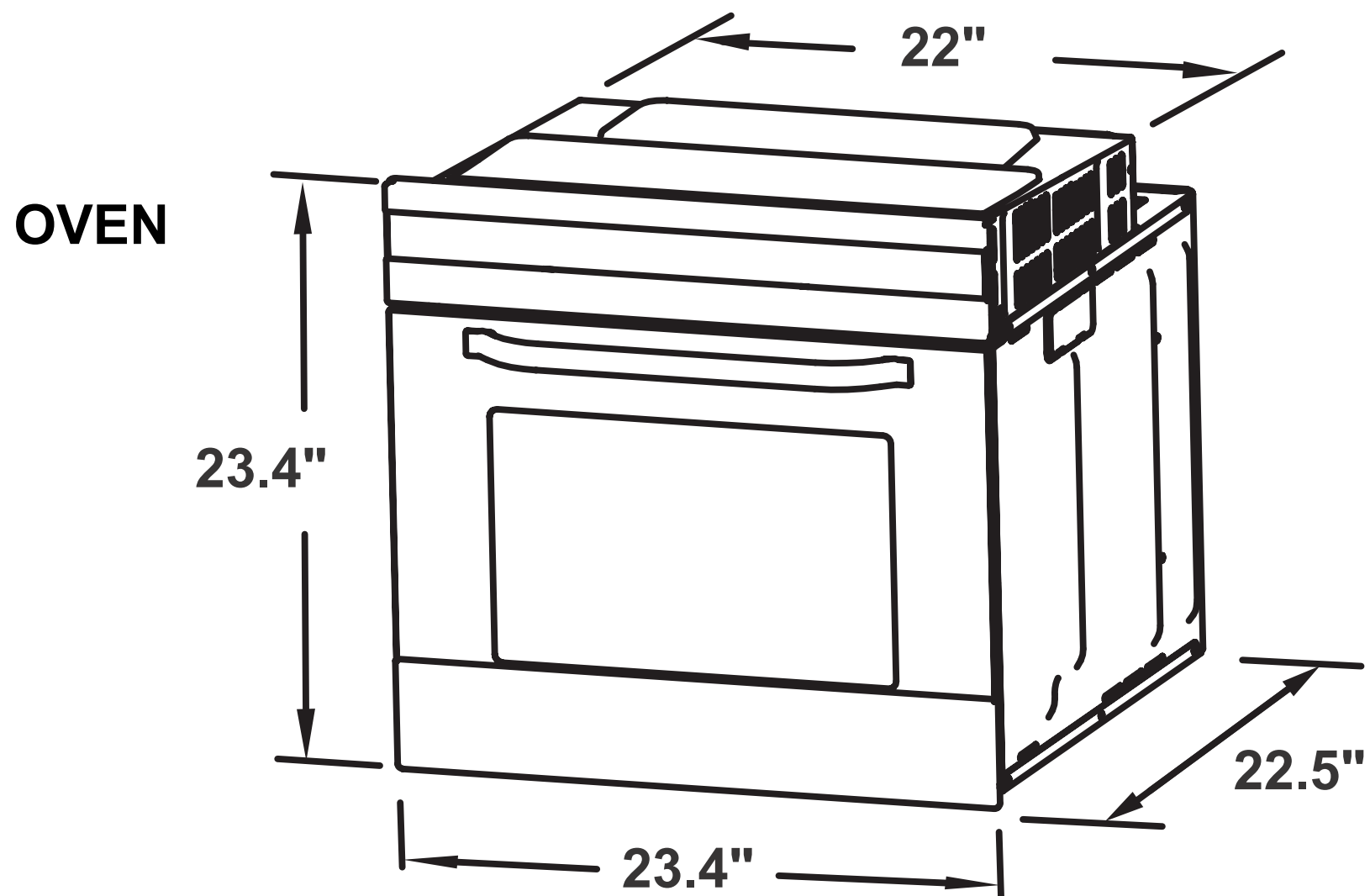


See Page 2 for dimensions



DIMENSIONS

C106SIX-PT Wall Oven



Dimensions (WxDxH): 23.4" x 22.5" x 23.4"