

# USE AND CARE GUIDE



**Please scan the below QR code to get the video for easy installation.**



# 01 Table of Contents

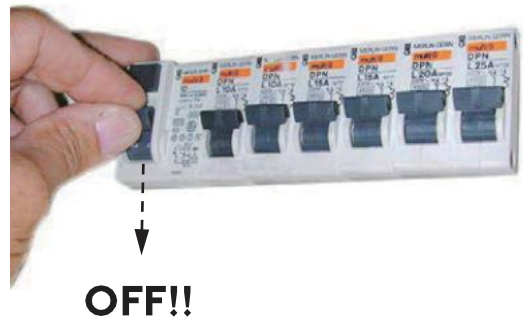
|                        |    |                       |    |
|------------------------|----|-----------------------|----|
| Safety Information     | 02 | Remote control manual | 07 |
| Warranty               | 03 | Match code            | 08 |
| Ceiling installation   | 04 | Fans Balance          | 09 |
| Accessory drawing      | 05 | Care and cleaning     | 10 |
| Installation procedure | 06 | Trouble shooting      | 11 |

# 02 Safety Information

**READ ALL SAFETY INFORMATION AND INSTALLATION INSTRUCTIONS BEFORE YOU BEGIN INSTALLING THE FAN AND SANE INSTRUCTIONS.**



**Warning:**  
**Kindly turn off the power  
when connecting cables.**



1. To reduce the risk of electric shock, ensure the electricity has been turned off at the circuit breaker or fuse box before you begin.
2. All wiring must be in accordance with the National Electrical Code ANSI/NFPA 70-1999 and local electrical codes. Electrical installation should be performed by a qualified licensed electrician.
3. The outlet box and support structure must be securely mounted and capable of reliably supporting 35 lbs. (15.9 kg). Use only UL Listed outlet boxes marked "Acceptable for Fan Support of 35 lbs. (15.9 kg) or less".
4. The fan must be mounted with a minimum of 7 ft. (2.1 m) clearance from the trailing edge of the blades to the floor.
5. Do not place objects in the path of the blades.
6. To avoid personal injury or damage to the fan and other items, use caution when working around or cleaning the fan.
7. Electrical diagrams are for reference only. Light kits that are not packed with the fan must be UL-listed and marked suitable for use with the model fan you are installing. Switches must be UL General Use Switches. Refer to the instructions packaged with the light kits and switches for proper assembly.
8. After making electrical connections, spliced conductors should be turned upward and pushed carefully up into the outlet box. The wires should be spread apart with the grounded conductor and the equipment-grounding conductor on one side of the outlet box.
9. All setscrews must be checked and re-tightened where necessary before installation



**WARNING:** To reduce the risk of personal injury, do not bend the blade brackets (also referred to as flanges) during assembly or after installation. Do not insert objects in the path of the blades.



**WARNING:** To reduce the risk of fire or electric shock, this fan is NOT suitable for use with solid-state speed controls.



**WARNING:** To avoid possible electrical shock, make sure that the electricity is turned off at the main power box before starting work. If you feel you do not have enough electrical wiring knowledge or experience, contact a licensed electrician.



**WARNING:** Electrical diagrams are for reference only. Optional use of any light kit shall be UL-listed and marked suitable for use with this fan



**WARNING:** To reduce the risk of fire, electrical shock or personal injury, ensure that the fan mounting bracket is supported directly from the building structure or the outlet box marked "Acceptable for Fan Support of 35 lbs. (15.9 kg) or less". Use only the screws provided with the outlet box.

## 03 Warranty

---

The supplier warrants the fan motor to be free from defects in workmanship and material present at time of shipment from the factory for a lifetime after the date of purchase by the original purchaser. The supplier also warrants that all other fan parts, excluding any glass or acrylic blades, to be free from defects in workmanship and material at the time.

of shipment from the factory for a period of two years after the date of purchase by the original purchaser. We agree to correct such defects without charge or at our option replace with a comparable or superior model if the product is returned.

To obtain warranty service, you must present a copy of the receipt as proof of purchase. All costs of removing and re-installing the product are your responsibility. Damage to any part such as by accident, misuse, improper installation, or by affixing any accessories, is not covered by this warranty.

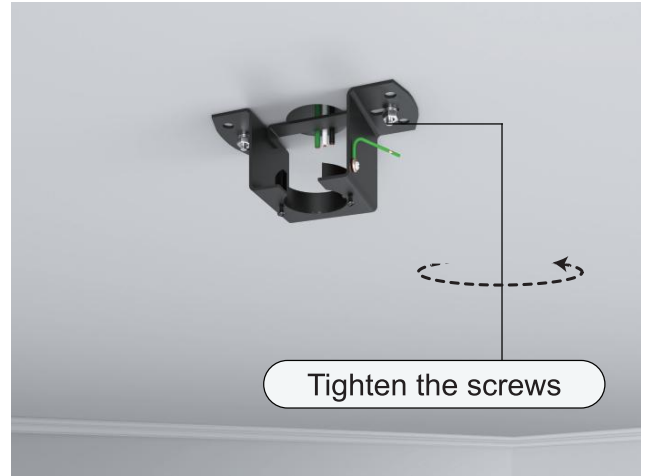
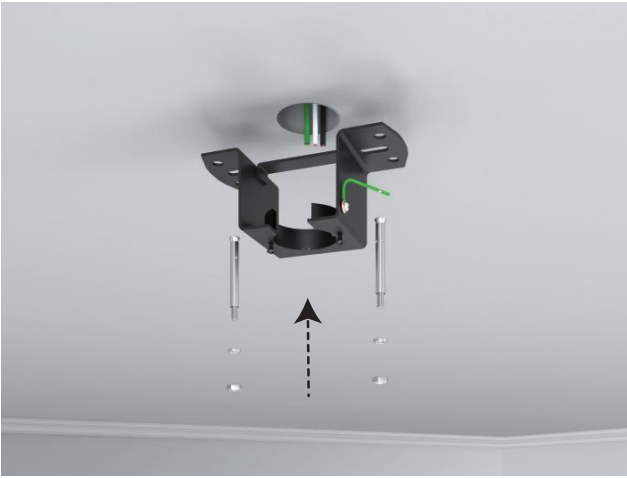
Because of varying climatic conditions this warranty does not cover any changes in brass finish, including rusting, pitting, corroding, tarnishing, or peeling. Brass finishes of this type give their longest useful life when protected from varying weather conditions. A certain amount of "wobble" is normal and should not be considered a defect.

Servicing performed by unauthorized persons shall render the warranty invalid. There is no other express warranty. Sofucor hereby disclaims any and all warranties, including but not limited to those of merchant ability and fitness for a particular purpose to the extent permitted by law. The duration of any implied warranty which cannot be disclaimed is limited to the time period as specified in the express warranty. Some states do not allow a limitation on how long an implied warranty lasts, so the above limitation may not apply to you.

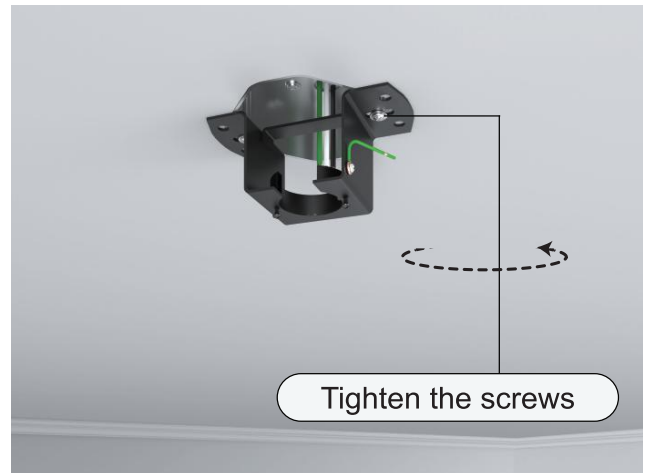
The retailer shall not be liable for incidental, consequential, or special damages arising out of or in connection with product use or performance except as may otherwise be accorded by law. Some states do not allow the exclusion of incidental or consequential damages, so the above exclusion or limitation may not apply to you. This warranty gives specific legal rights, and you may also have other rights which vary from state to state. This warranty supersedes all prior warranties. Shipping costs for any return of product as part of a claim on the warranty must be paid by the customer.

## 04 Three ceiling installation methods

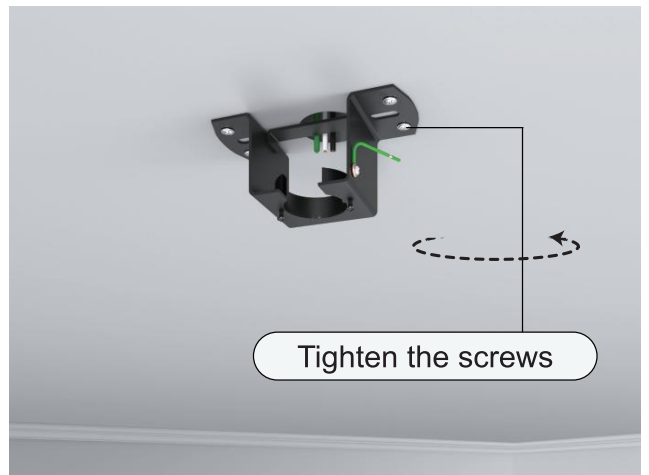
### Concrete Ceiling Mounting Bracket



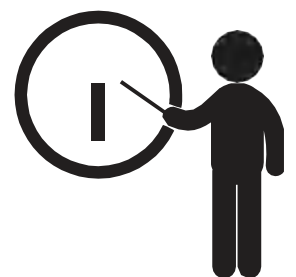
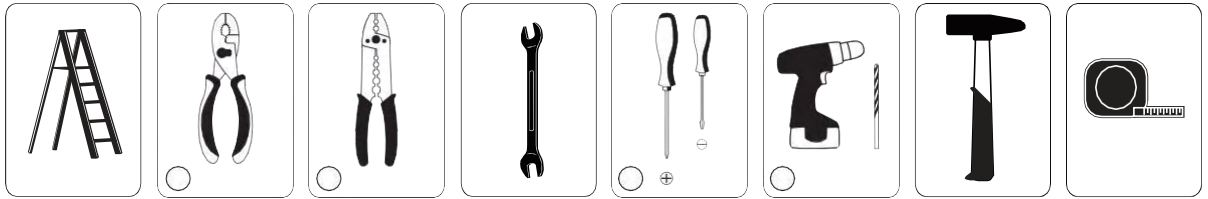
### Hanger for Junction Box Mounting Bracket



### Wooden ceiling Mounting Bracket



# 05 Accessory drawing



## 06 Installation procedure

1. Loosen and remove the 3 silver screws pre-locked on the motor (Do not remove them all)



2. Put on the lamp panel and feed the wire plugs through the center hole.



3. Tighten the 3 silver screws.



4. Loosen and remove the 3 brass light kit screws pre-locked on the lamp panel (They will be needed later)



5. Connect the light source with the wires from the motor.



6. Align the screw holes and tighten the 3 brass light kit screws.



## 06 Installation procedure

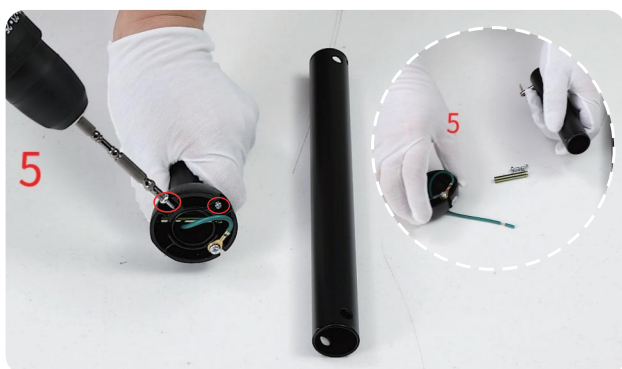
7. Turn the fan over.



8. Loosen the 2 screws from the top of the fan motor.



9. Remove 2 screws on the hanger ball.



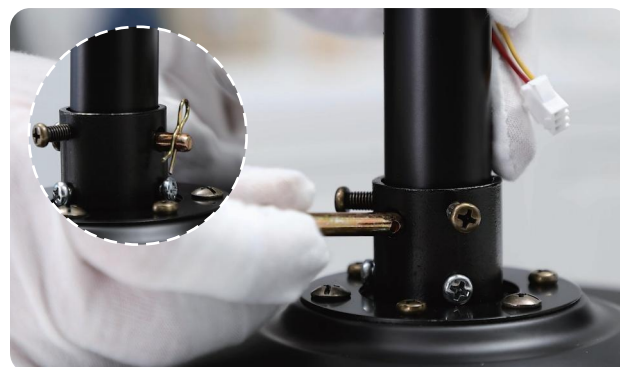
10. Remove the lock pin and the bolt of the base of the downrod.



11. Select one downrod and pass all motor wires/light cables through it.



12. Insert the bolt. Fix the bolt with the lock pin.



## 06 Installation procedure

13. Tighten the 2 screws to prevent fan shaking during operation.



14. Put the decorative cover through the downrod.



15. Put the canopy cover through the downrod.



16. Put the canopy through the downrod.



17. Put the hanger ball through the downrod.

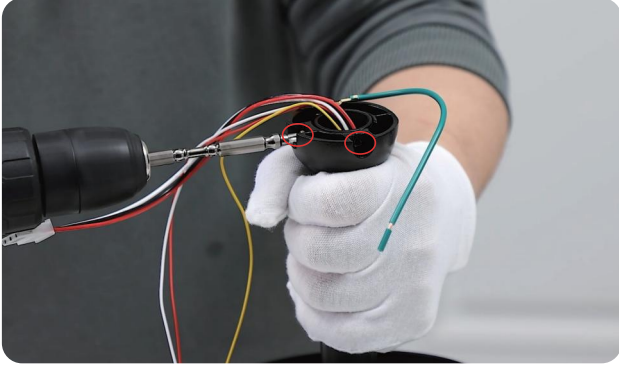


18. Insert the bolt. Align the screw hole.

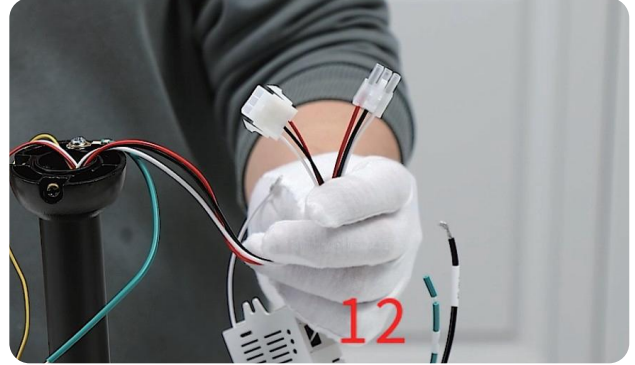


## 06 Installation procedure

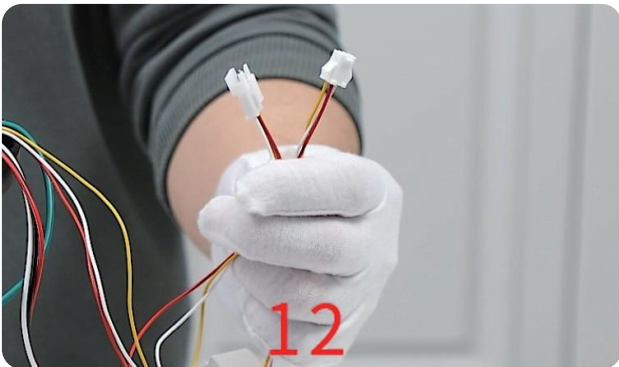
19. Tighten the 2 screws.



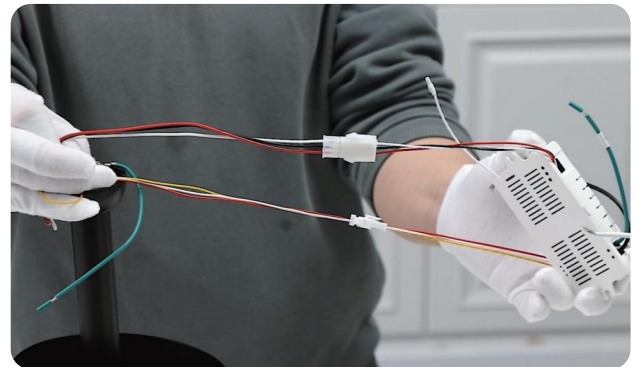
20. Connect the wire from the ceiling fan to the receiver (Red, Black and White wires)



21. Connect the wire from the ceiling fan to the receiver (Red, Yellow and White wires)



22. All wires are connected.



23. Align the fan blade with the holes in the motor, and insert it.



24. Repeat the previous step in turn until the 3 fan blades are inserted into the holes reserved for the motor.



## 06 Installation procedure

25. Loosen the 2 screws from the ceiling bracket.



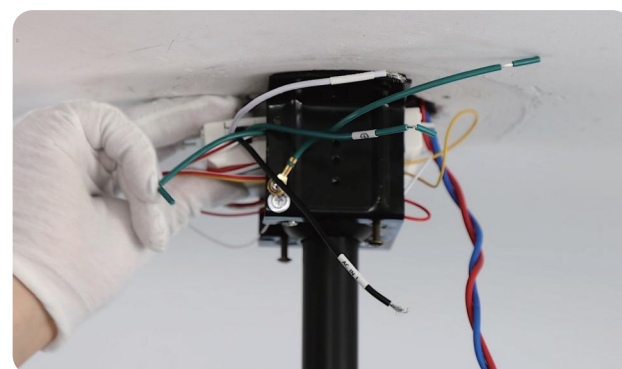
26. Install the ceiling bracket with four self tapping screws.



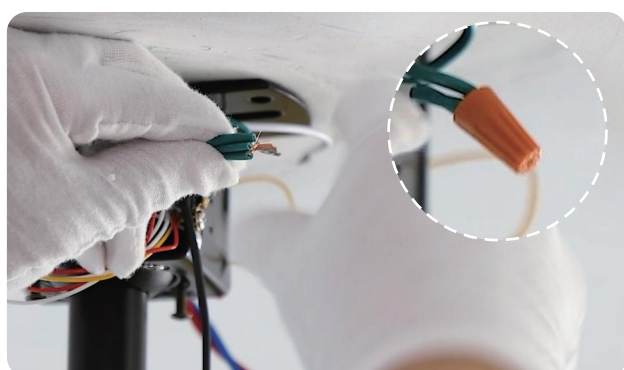
27. Place the downrod ball into the slot in the ceiling bracket. If the slot doesn't align properly then rotate the ball.



28. Put the receiver into the mounting bracket.



29. Use wire connecting nuts to connect the three ground wires (Green) coming from the downrod, receiver and hanging bracket.



30. Connect the fan live wire (black) to your house live wire; Connect the fan neutral wire (white) to your house neutral wire.



## 06 Installation procedure

31. Lift the canopy into place so that the screw holes are aligned.



32. Wrap keyhole slots around the screws, twist clockwise and tighten 2 screws.




33. Lift the canopy cover to the canopy, then turn and tighten.



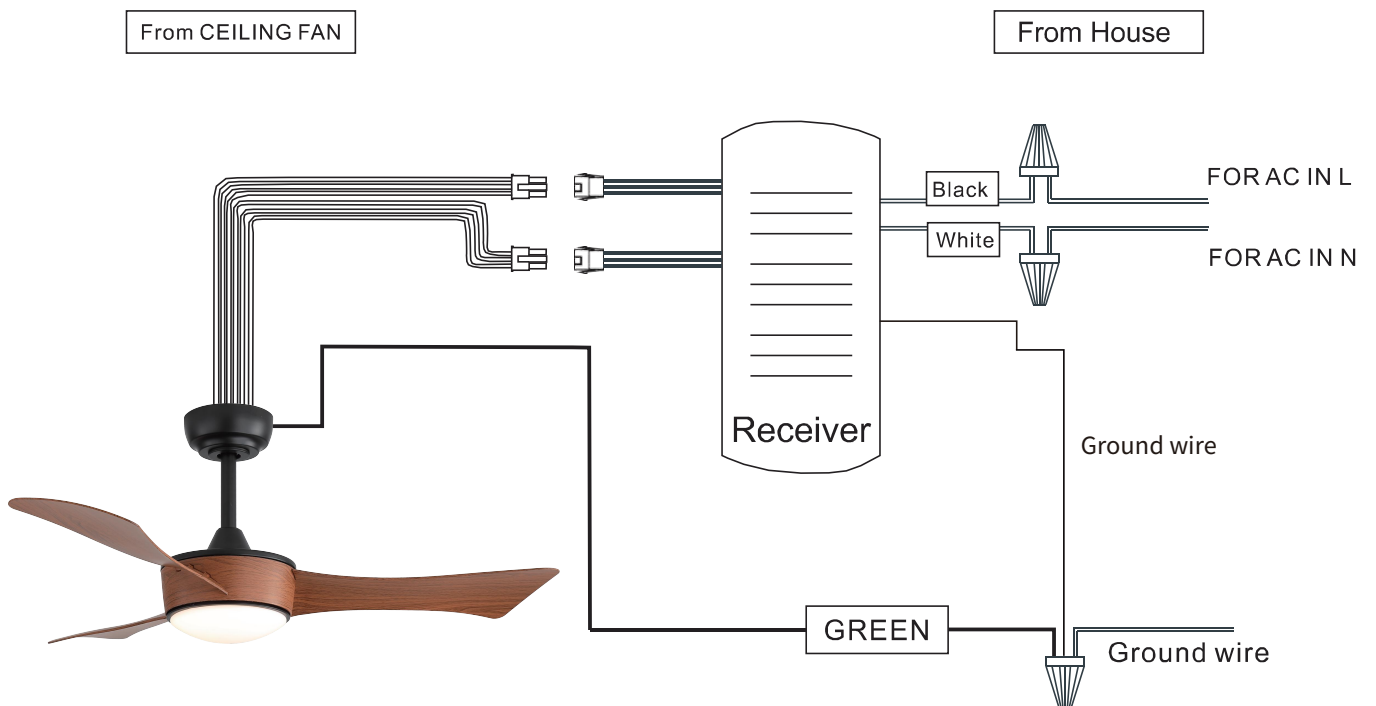
34. Install the lampshade and rotate it to lock.



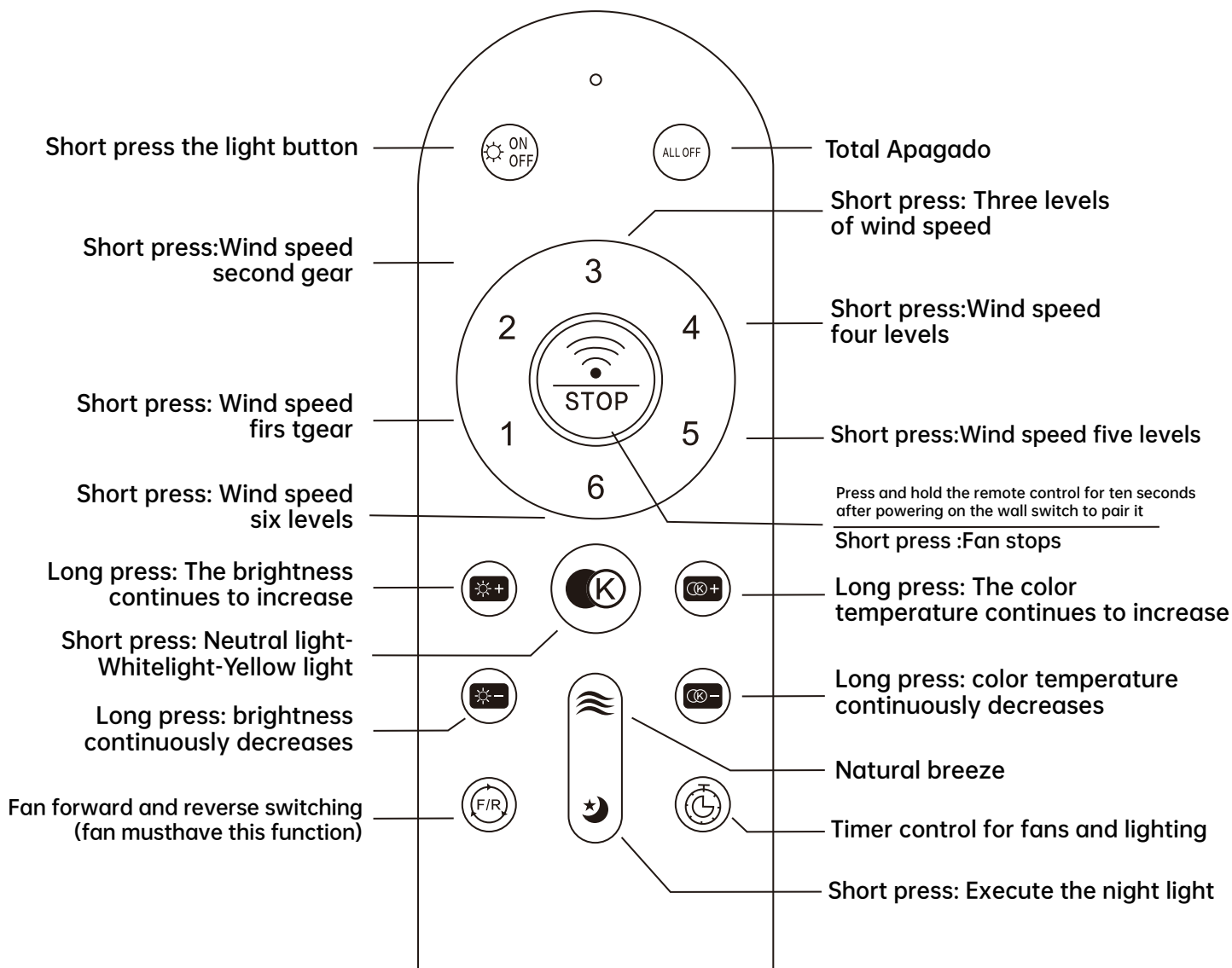
# 06 Installation procedure

 **WARNING:** Turn off the electric power during installation and making wire connection.

1. Connect the wire which from ceiling fan into the receiver
2. Connect the wire from receiver with the wire from house.



# 07 Remote control manual



For 5 Seconds To Clear The Pairing Function.

Timer function: The lights flash once for 1 hour, twice for 4 hours, and three times for 8 hours. Press the main switch to cancel the timer function. This feature is used to simultaneously turn off the lights and the fan.

The remote controller only needs to be paired once. After the paired product, the controller will have memory. The products have been paired before leaving the factory. When the remote control is damaged or lost, it is necessary to implement remote control pairing before using a new remote control.

**Note: the remote control must match the same code receiver**

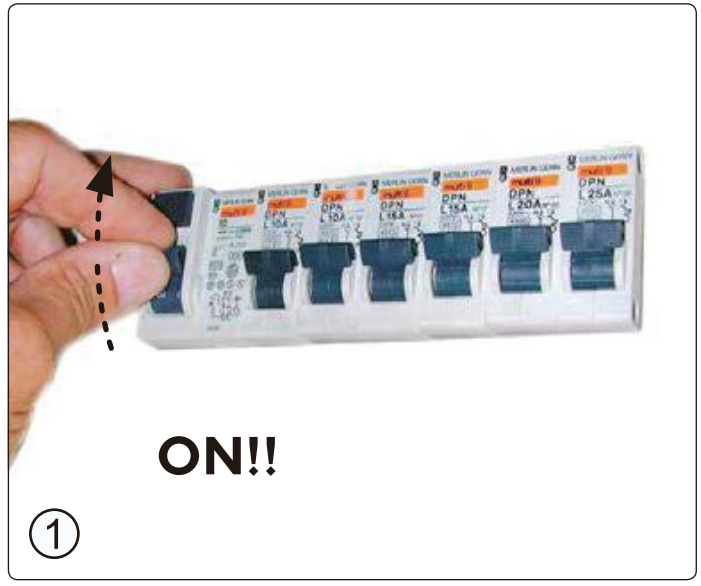


**When the reversible button is pressed, the fan slowly slows down to a stop and then begins to reverse.**

# 08 Match code



if it does not work

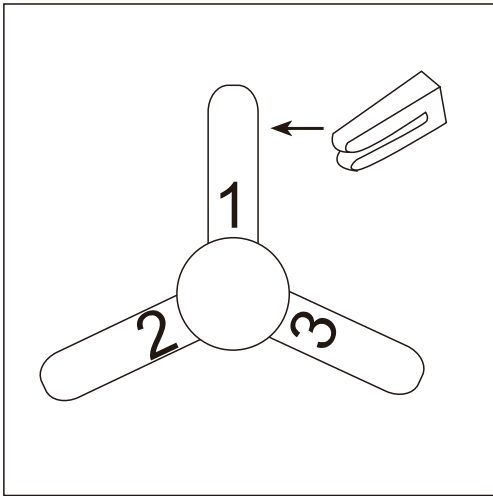


1. Turn on the main switch.

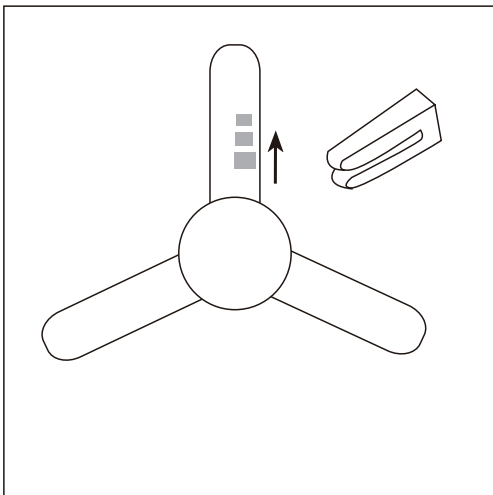


2. Press and hold the remote control for ten seconds after powering on the wall switch to pair it.

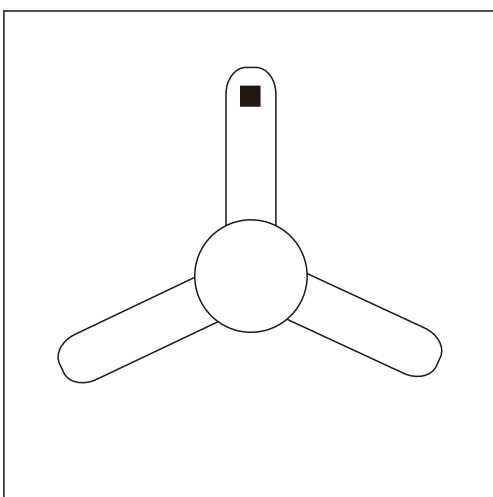
## 09) Adjusting and balancing your ceiling fan blades



Put the clip in the center of a blade. turn on the fan and if the shake persists, put the clip in another blade until the shake is reduced. Then this blade will need the counterweight.



Place the clip on the blade that needs the counterweight and try the best place to place it, from the center to the tip of the blade, until the wobble disappears.



Paste the counterweight on the surface of the blade which near the clip, remove the clip and test the fan. If it keep staggering, put another counterweight. if it gets worse, try another better area to place it. please try it patiently till the fan is balance.

# 10 Care and Cleaning



**WARNING:** Make sure the power is off before cleaning your fan.

- Because of the fan's natural movement, some connections may become loose. Check the support connections, brackets, and blade attachments twice a year. Make sure they are secure. It is not necessary to remove the fan from the ceiling.
- Clean your fan periodically to help maintain its new appearance over the years. Do not use water when cleaning, as this could damage the motor, or the wood, or possibly cause an electrical shock. Use only a soft brush or lint-free cloth to avoid scratching the finish. The plating is sealed with a lacquer to minimize discoloration or tarnishing.
- You can apply a light coat of furniture polish to the wood for additional protection and enhanced beauty. Cover small scratches with a light application of shoe polish.
- You do not need to oil your fan. The motor has permanently-lubricated sealed ball bearings.

# 11 Trouble shooting

| Problem                 | Solution   |
|-------------------------|--|
| The fan will not start. | <ul style="list-style-type: none"><li>□ Check the main and branch circuit fuses or breakers.</li><li>□ Check the line wire connections to the fan and switch wire connections in the switch housing.</li></ul>   |
| The fan is noisy.       | <ul style="list-style-type: none"><li>□ Ensure all motor housing screws are snug.</li><li>□ Ensure the screws that attach the fan blade bracket to the motor hub are tight.</li><li>□ Ensure the wire nut connections are not ratting against each other or the interior wall of the switch housing.</li><li>□ Allow a 24-hour "breaking in" period. Most noises associated with a new fan disappear during this time.</li><li>□ If you are using the Ceiling Fan light kit, ensure the screws securing the glassware are tight. Check that the light bulbs are also secure.</li><li>□ Ensure the canopy is a short distance from the ceiling. It should not touch the ceiling.</li><li>□ Ensure your outlet box is secure and rubber isolator pads were used between the mounting plate and outlet box.</li></ul> |
| The fan wobbles.        | <ul style="list-style-type: none"><li>□ Please check and follow the instructions: Chapitre No.13 Fan balance on page 16</li></ul>  |