

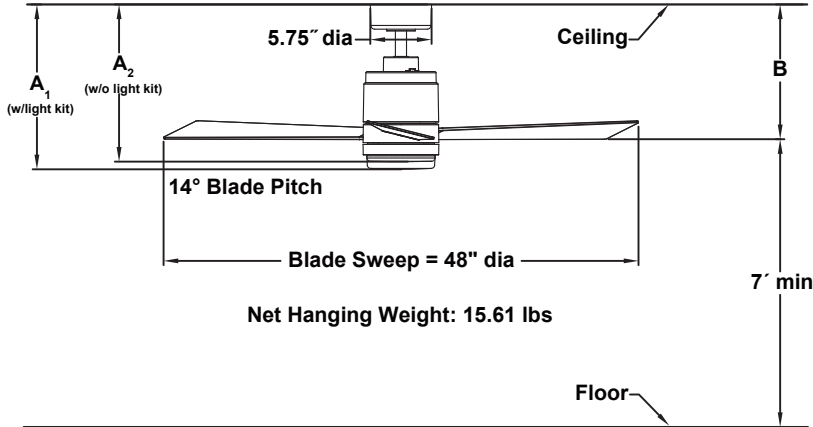
ALL-WEATHER PYLON™

LP8177LMWW

(Lowe's Item #883777)

LP8177**

**All Weather Composite
48" Ceiling Fan**



	A ₁	A ₂	B
Fan w/4.5" downrod	15.49"	14.75"	12.68"
Fan w/12" downrod	22.99"	22.25"	20.18"
Fan w/18" downrod	28.99"	28.25"	26.18"
Fan w/24" downrod	34.99"	34.25"	32.18"
Fan w/36" downrod	46.99"	46.25"	44.18"
Fan w/48" downrod	58.99"	58.25"	56.18"
Fan w/60" downrod	70.99"	70.25"	68.18"
Fan w/72" downrod	82.99"	82.25"	80.18"

INSTALLATION REQUIREMENTS:

Fan must be attached to a securely anchored electrical junction box capable of withstanding a load of at least 35 lbs.

ELECTRICAL REQUIREMENTS:

Requires a grounded electrical supply line of 120 volts AC, 60 Hz, 15 amp circuit.

MOTOR SPECS:

153 x 15 AC motor is designed for optimal performance with this fan.

BLADES:

A set of three 22" all weather composite blades is included.

CONTROL OPTIONS:

TR500S hand-held remote control is included. Push button remote control with variable fan speeds, infinite light levels and off button. Optional WC1WH, WC2WH, WR500WH, WR501WH and CWRL4 wall controls, BTRC9 and CRL4WH hand held remote controls and BTR9 receiver unit and WFR50 WiFi receiver unit are available—sold separately. Instructions are provided with each control.

LIGHTING OPTIONS:

One 18-watt LED included.

DOWNROD OPTIONS:

Fan comes with a 1" Dia. x 4.5" downrod (DRT1-45). Optional downrods are available in 12", 18", 24", 36", 48", 60" and 72". For installations requiring a longer downrod, a downrod coupler is available. Fan must use 12" or longer downrod, and can be mounted on a sloped ceiling up to 19°. Optional sloped ceiling kits (SCK1-52) are available for up to 42°. Optional close-to-ceiling kit is available as well—sold separately. Call technical support for more information.

LOCATION USE:

Fan is rated for dry, damp and wet locations.

Available Finishes

LMWW	Matte White with Matte White Blade and Opal Frosted Glass/Composite Cap
LBLW	Black with Black Blade and Opal Frosted Glass/Composite Cap
LSLW	Silver with Silver Blade and Opal Frosted Glass/Composite Cap

Airflow / Energy Efficiency Info (120V)

Fan Speed	Max RPM	CFM	CFM / Watts	Amps	Watts
High	168	4488	92	0.41	49
Med	129	3263	110	0.32	30
Low	83	2003	144	0.22	14

Energy Guide FTC

Power (Watt)	Total Air Delivery (CFMave)	Estimated Yearly Energy Cost (\$)	Ceiling Fan Efficiency (CFM/W)
33	3241	9	97

Light Bulb Information (120V)

Bulb Type	Watts	QTY	Lumens Amount	Color Temp	CRI
LED	18	1	1400	3000	90%