

Measuring Guide for Horizontal Blinds

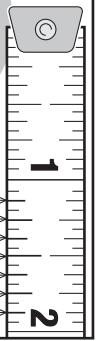
Aluminum Blinds and Vinyl Blinds

Tools and Tips

- Steel tape measure — do not use cloth tape
- Pencil
- Measurement Worksheet — See page 3
- Measure each window and identify window locations — size variances are common
- Round measurements to the nearest $\frac{1}{8}$ "
- Clearly record measurements — width vs. height

Double-check your work—always measure twice to ensure accuracy.

1/8"
1/4"
3/8"
1/2"
5/8"
3/4"
7/8"

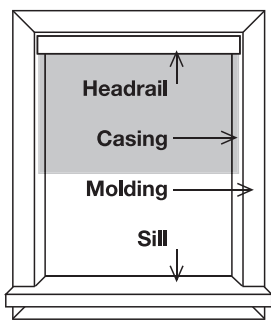


Choose a Mount Type: Inside Mount or Outside Mount

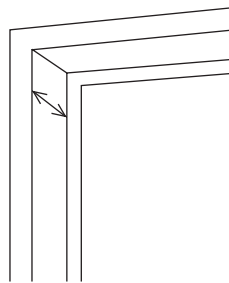
(See page 3 if you need help deciding which mount is best for your windows.)

Inside Mount

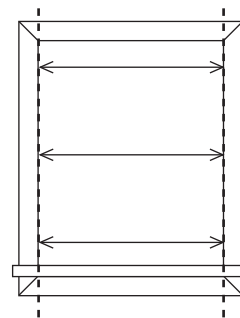
Window treatments are installed inside the window casing.



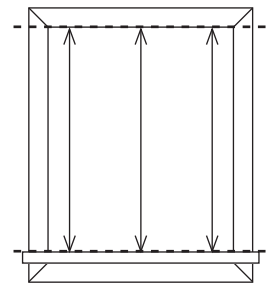
Inside Mount Blind



Depth



Width



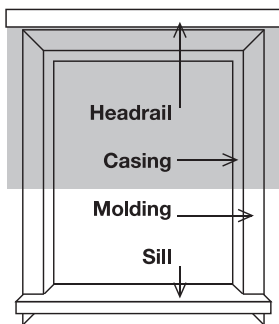
Height

- 1 **Measure Depth:** See chart on page 3 to determine if window casing has enough depth for an inside mount window treatment.
- 2 **Measure Width:** Measure the inside width of window casing in three places. Record narrowest measurement.
- 3 **Measure Height:** Measure the inside height from the bottom of the top window casing to top of sill in three places. Record longest measurement.

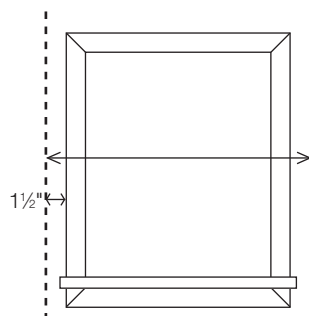
Note: Do not take any deductions for clearance. The manufacturer will take necessary deductions for a perfect fit.

Outside Mount

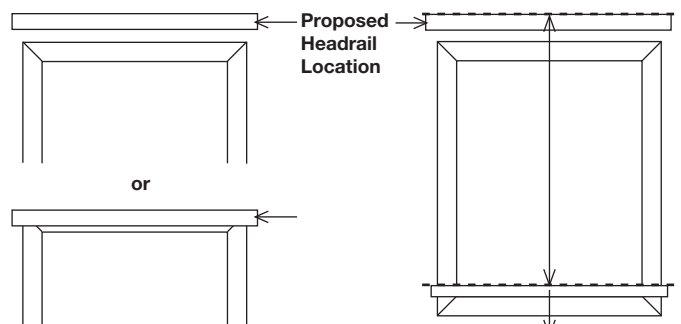
Window treatments are installed outside the window casing. Mount directly to wall or molding.



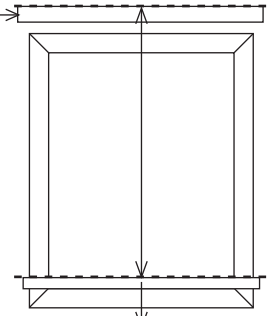
Outside Mount Blind



Width



Headrail Location

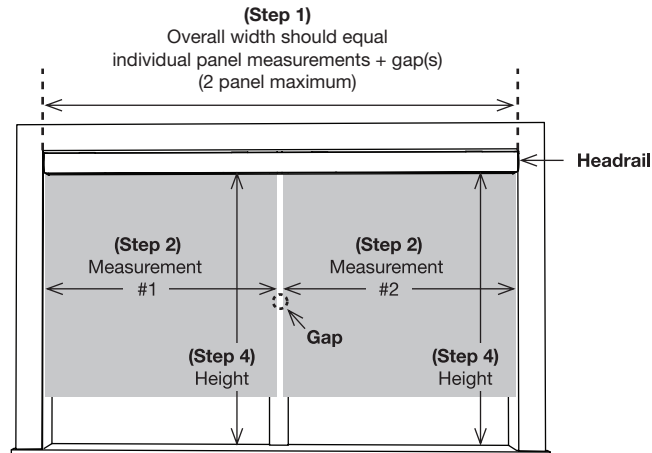


Height

- 1 **Measure Width:** Measure width to be covered. We recommend $1\frac{1}{2}$ " overlap on each side of the window (3" total) for optimum light control and privacy. Record measurement.
- 2 **Determine Headrail Location:** Determine if headrail will be on molding or above molding and mark spot.
- 3 **Measure Height:** Measure height to be covered from top of headrail location to top of sill or lower if overlap is desired for additional light control and privacy. Record measurement.

Note: The manufacturer makes NO deductions on WIDTH on outside mount installations.

How To Measure Multiple Blinds On One Headrail



- 1 Measure overall width of the area to be covered. If space permits, an overlap of $1\frac{1}{2}$ " per side is recommended for outside mounts.
- 2 Measure the width of the area each blind is to cover. Measure and specify the left blind first, continuing to the right. Allow a minimum of $\frac{1}{4}$ " between blinds for operating clearance. ($\frac{3}{8}$ " minimum for cordless option; $\frac{1}{2}$ " minimum for NoHoles™ option on 2" vinyl)
- 3 Total width of all blinds, plus clearance(s), must equal overall width.
- 4 Measure height as follows:
 - a. For windows, use standard inside or outside measuring procedures.
 - b. For patio doors, measure height within $\frac{3}{4}$ " of floor, either from ceiling or a point at least $6\frac{1}{2}$ " above the door frame.

How to Order Multiple Blinds on One Headrail

- 1 Specify total width of headrail.
- 2 Indicate each panel width separately; specify left blind first, continuing to the right.
- 3 Specify control positions.
- 4 Add appropriate surcharge, if to the left of the solid line on the price chart.

Example: Left Panel ($49\frac{7}{8}$ ") + Gap ($\frac{1}{4}$ ") + Right Panel ($49\frac{7}{8}$ ") = Overall (100").

Mounting Considerations

Reasons for Choosing Inside Mount

Clean Look

- These treatments are installed inside the window casing, showcasing attractive window trim.
- The window opening frames the treatment for a finished, clean appearance.

Allows Sill Space on Deep Windows

- In some deep-set windows, the window treatment can be installed to allow plants or other items to be placed in front of the window treatment on the sill.

Limitations of Inside Mount

Light Gaps

- A small deduction in the width and/or length is taken by the manufacturer to allow for proper operating clearance, and this causes a small amount of light to spill through on each side of the treatment, affecting the treatment's ability to darken a room.

Obstructed View

- The stack (thickness of the window treatment when fully raised) will obstruct a part of the view from the window.
- The amount of stack varies by product.

Architectural Obstacles

- Obstacles such as handles and cranks can interfere with the operation of inside mount treatments.

Reasons for Choosing Outside Mount

Improve Privacy and Light Control

- Light spilling through on the side of the window treatment can be substantially diminished or eliminated.

Fewer Installation Limitations

- Ideal for covering windows that are not level.
- Because they are installed higher than the window opening, these treatments offer an unobstructed view when fully raised.

Architectural Obstacles

- These window treatments can clear obstacles like handles and cranks.

Enlarge the Look of a Small Window

- Increase overlap above and below or to each side of the window.

Hide Window Trim


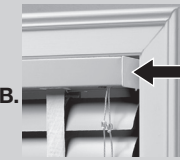
- These treatments can easily hide unattractive window trim.

Limitations of Outside Mount

Required Surface Above Window Frame

- Brackets require at least 2" of flat surface above window or on window frame for installation; Projection brackets can be ordered if needed to clear frame or molding.

Inside Mount Window Casing Minimum Depth Requirements

<p>A. Flush Mount: If the window casing is deep enough to mount the entire headrail inside of it, this is called a flush mount.</p> <p>B. Partially Recessed: A partially recessed window treatment is when the depth of the window casing is less than the space necessary for a flush mount.</p>	 <p>Depth needed for Flush Mount</p>	 <p>Depth needed for Partially Recessed</p>	<p>Depth needed for Flush Mount with Valance</p>
½" LightBlocker™ Micro Aluminum Blinds	1¾"	¾"	N/A
1" LightBlocker and 1" LightBlocker Privacy Aluminum Blinds (cord lift only)	2¼"		
1" LightBlocker and 1" LightBlocker Privacy Aluminum Blinds (cordless lift only)	1⅝"		1¾"
1" Classic Aluminum Blinds	2"		3⅞"
2" Heritage™ Aluminum Blinds			3⅝"
2" Vinyl Blinds (with standard valance)			4"

Measuring and Ordering Worksheet

Window #1 _____

(location)

Measuring

For Inside Mount

Measure width of window in 3 places and circle the narrowest width below:

Width #1: _____

Width #2: _____

Width #3: _____

Measure height of window in 3 places and circle the longest height below:

Height #1: _____

Height #2: _____

Height #3: _____

Depth of window casing: _____

For Outside Mount

Width: _____

Height: _____

Ordering

Mount Type: Inside Outside

Ordering Width: _____

Ordering Height: _____

Type of Blind or Shade: _____

Style Name: _____

Color Number: _____

Controls & Options to consider:

Cordless

Bottom Up/Top Down
(Cellular, Pleated, Roman, and Natural Shades)

Sun Up/Sun Down
(Cellular & Pleated Shades only)

Cornice: _____

–

Valance: _____

–

Other: _____

Window #2 _____

(location)

Measuring

For Inside Mount

Measure width of window in 3 places and circle the narrowest width below:

Width #1: _____

Width #2: _____

Width #3: _____

Measure height of window in 3 places and circle the longest height below:

Height #1: _____

Height #2: _____

Height #3: _____

Depth of window casing: _____

For Outside Mount

Width: _____

Height: _____

Ordering

Mount Type: Inside Outside

Ordering Width: _____

Ordering Height: _____

Type of Blind or Shade: _____

Style Name: _____

Color Number: _____

Controls & Options to consider:

Cordless

Bottom Up/Top Down
(Cellular, Pleated, Roman, and Natural Shades)

Sun Up/Sun Down
(Cellular & Pleated Shades only)

Cornice: _____

–

Valance: _____

–

Other: _____

Window #3 _____

(location)

Measuring

For Inside Mount

Measure width of window in 3 places and circle the narrowest width below:

Width #1: _____

Width #2: _____

Width #3: _____

Measure height of window in 3 places and circle the longest height below:

Height #1: _____

Height #2: _____

Height #3: _____

Depth of window casing: _____

For Outside Mount

Width: _____

Height: _____

Ordering

Mount Type: Inside Outside

Ordering Width: _____

Ordering Height: _____

Type of Blind or Shade: _____

Style Name: _____

Color Number: _____

Controls & Options to consider:

Cordless

Bottom Up/Top Down
(Cellular, Pleated, Roman, and Natural Shades)

Sun Up/Sun Down
(Cellular & Pleated Shades only)

Cornice: _____

–

Valance: _____

–

Other: _____