

88 5218 951

Savannah Kitchen Cart

IMPORTANT NOTE

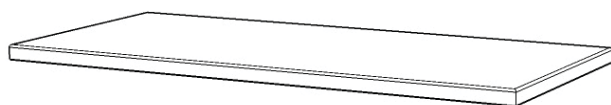
Carefully remove all the parts from the carton and put them individually on a soft cloth to prevent scratches or other damages occurring to the parts.

We have taken great care in the design of this product and request that you carefully and strictly follow our assembly instructions to ensure a completed product as it was designed.

Home
Styles



Part List



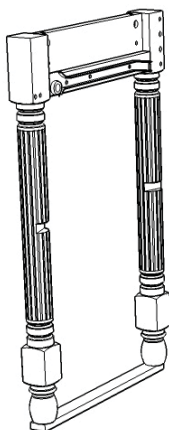
A.
Top
1 Pc.



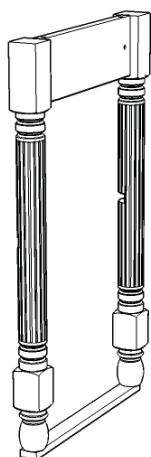
E.
Front Rail
1 Pc.



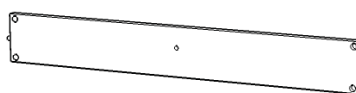
D.
Divider
1 Pc.



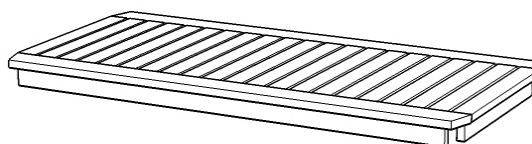
B.
Side Frame
1 Pc.



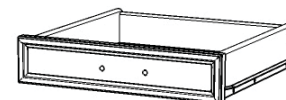
C.
Side Frame
1 Pc.



F.
Back Rail
1 Pc.



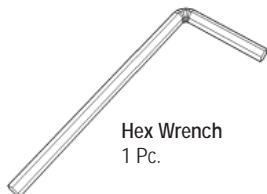
G.
Shelf
2 Pcs.



H.
Drawer
2 Pcs.

*(Knock-Down Construction,
please refer to the last page of
instructions for steps to complete drawer assembly)*

Hardware List



Hex Wrench
1 Pc.



Cam Lock
13 Pcs. (+1 extra)



Cam Lock Screw
13 Pcs. (+1 extra)



Wood Screw (short)
for bottom drawer
12 Pcs. (+1 extra)



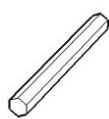
Wood Screw (long)
for side drawer
16 Pcs. (+1 extra)



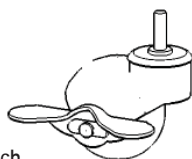
Machine Screw
4 Pcs.



Pull Handle
2 Pcs.



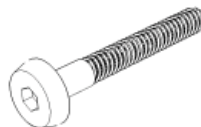
Small Hex Wrench
1 Pc.



Caster
2 Locking
2 Non-Locking
4 Pcs.



Head Cap Bolt (short)
5 Pcs. (+1 extra)



Head Cap Bolt (long)
8 Pcs. (+1 extra)



Flat Washer
8 Pcs. (+1 extra)



Spring Washer
8 Pcs. (+1 extra)



Side Bar
2 Pcs.

Tools required for assembly : Phillips screwdriver

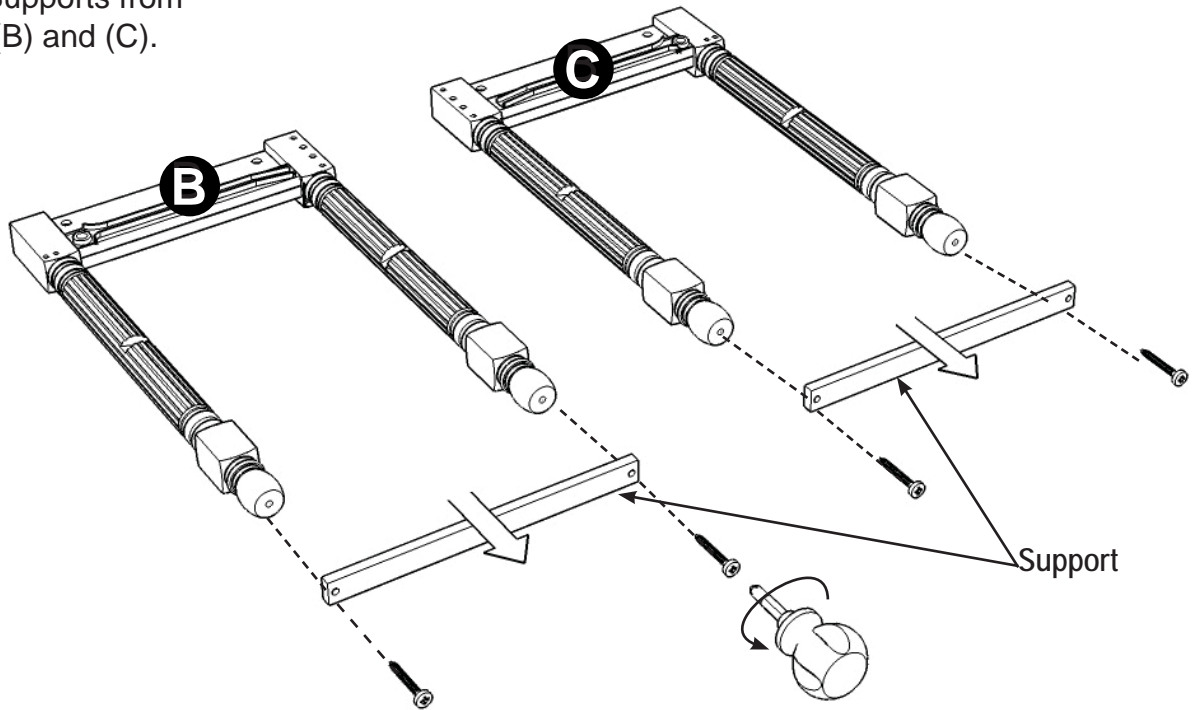
Home Styles Consumer Assistance: www.homestyles-furniture.com,
servicedesk@homestyles-furniture.com, 888-680-7460, 877-831-0319

IMPORTANT

- * Please keep Hex Wrench in a safe place as you may need to tighten up the Head Cap Bolts in the future.
- * Do not tighten up all the screws until each part is properly assembled.
- * Use a soft cloth between these parts and the floor.

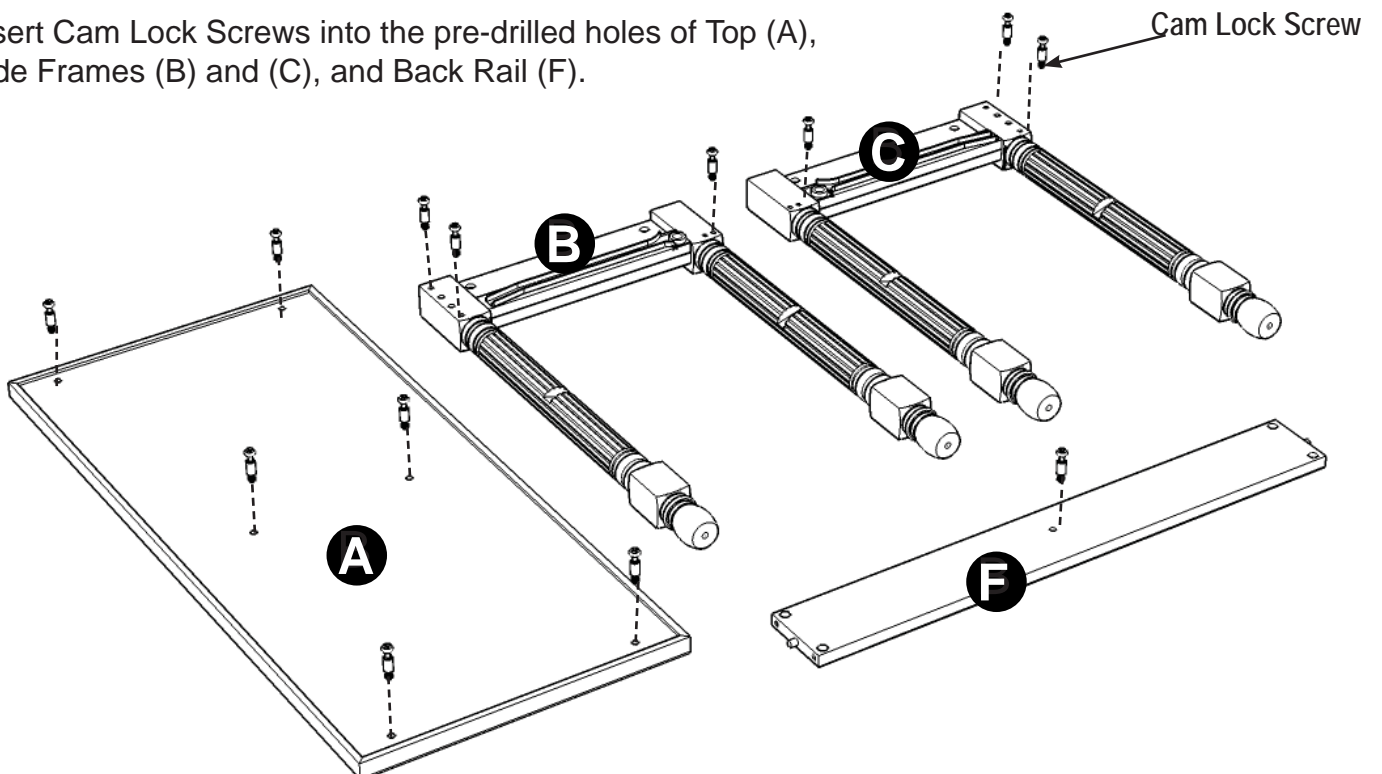
STEP 1

Remove the Supports from Side Frames (B) and (C).

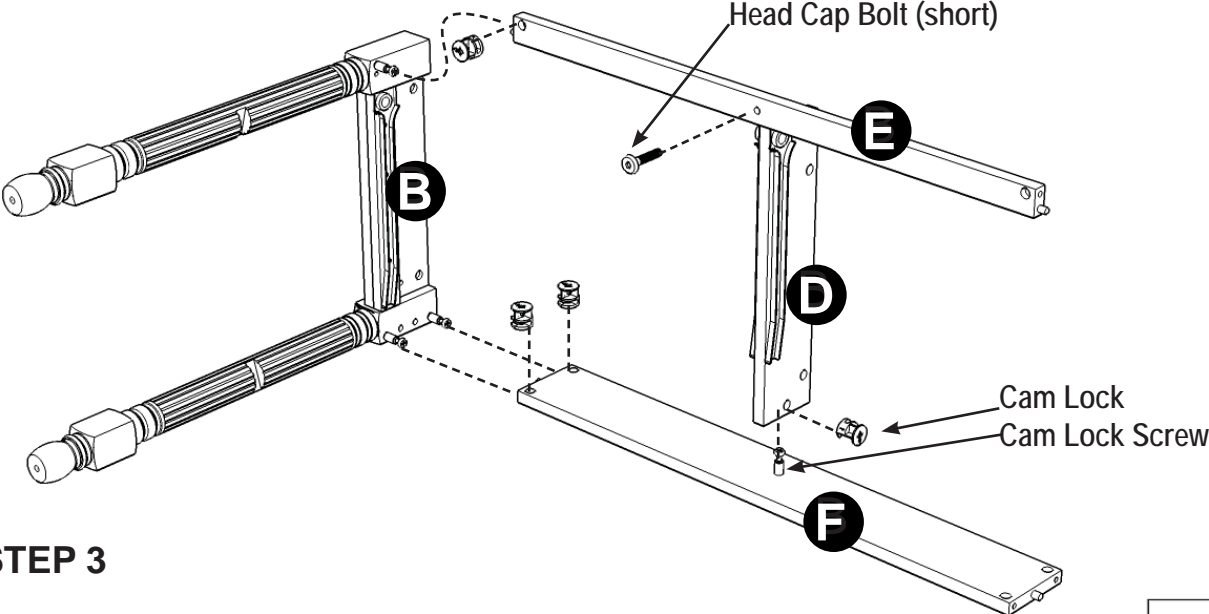


STEP 2

Insert Cam Lock Screws into the pre-drilled holes of Top (A), Side Frames (B) and (C), and Back Rail (F).



Assembly Instructions 3/6



STEP 3

Assemble Front Rail (E), Divider (D) and Back Rail (F) with Cam Lock and Head Cap Bolt (short).

Attach unit to Side Frame (B) with Cam Locks.
(See figure 1)

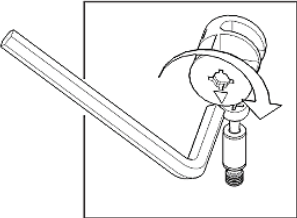


Figure 1

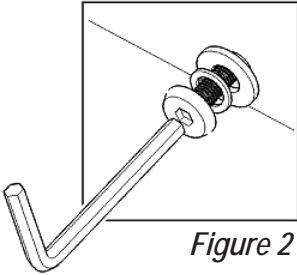
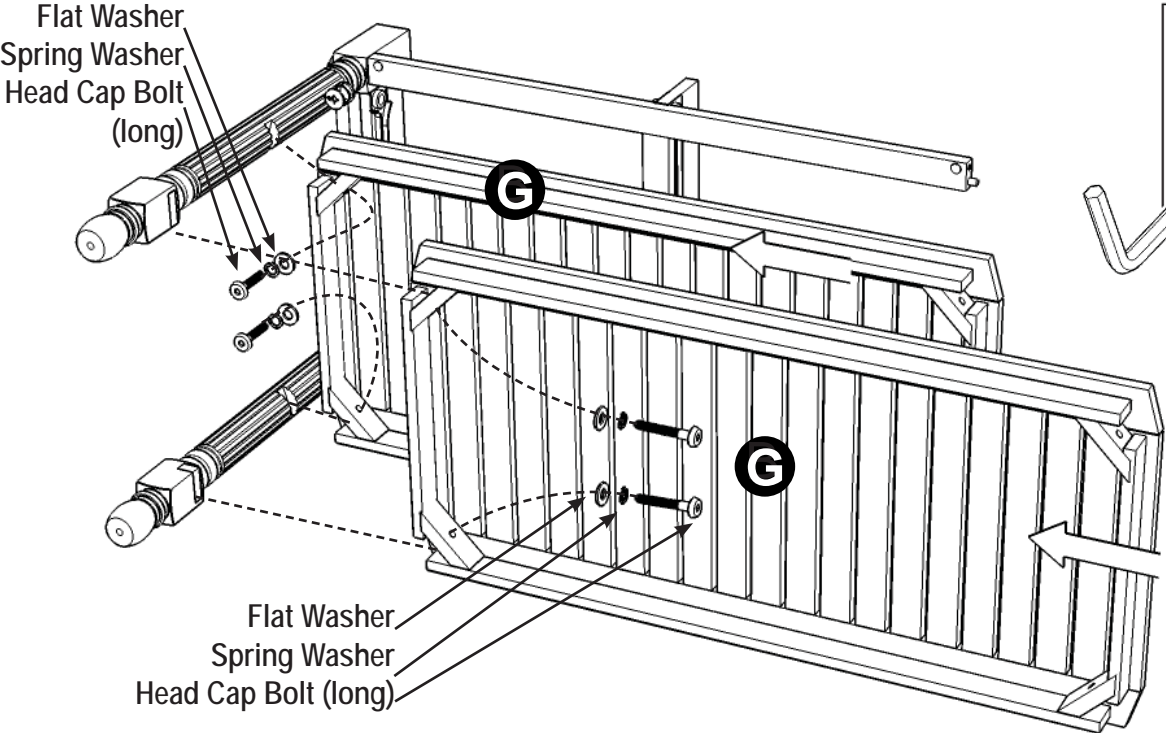
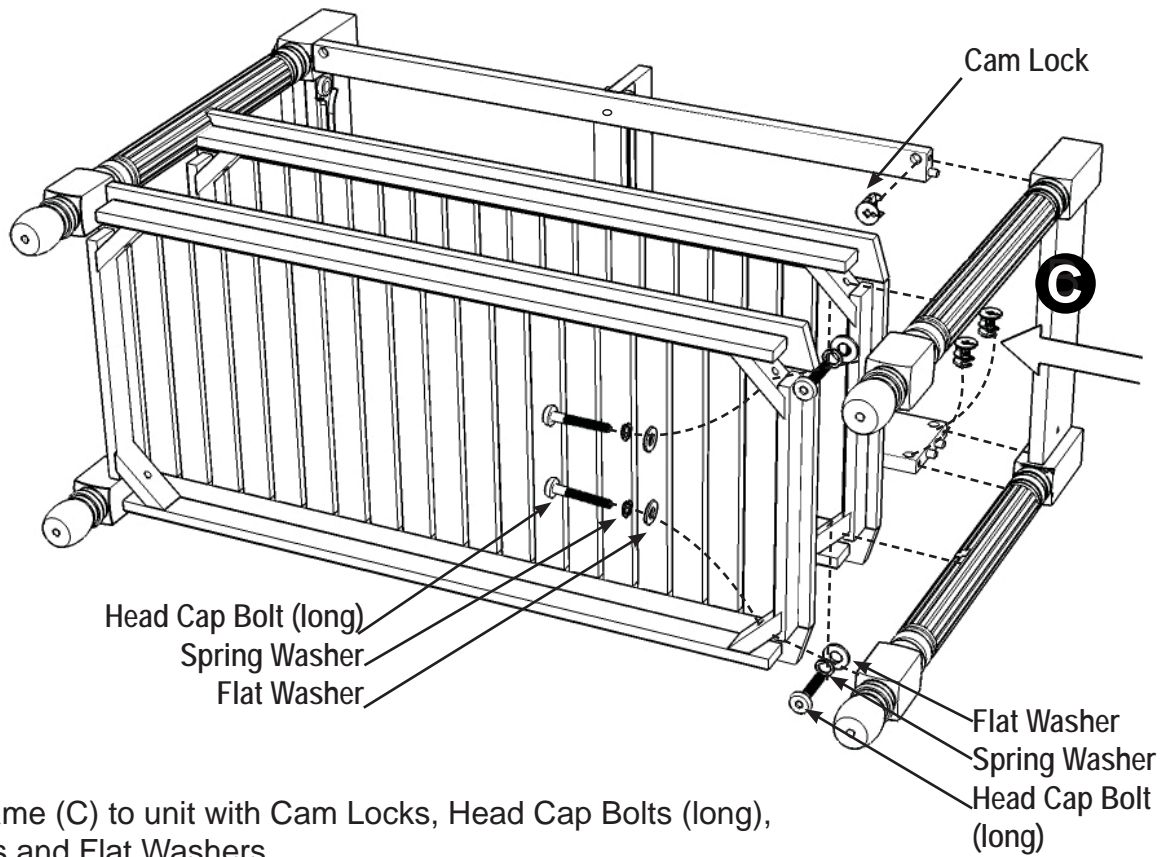


Figure 2

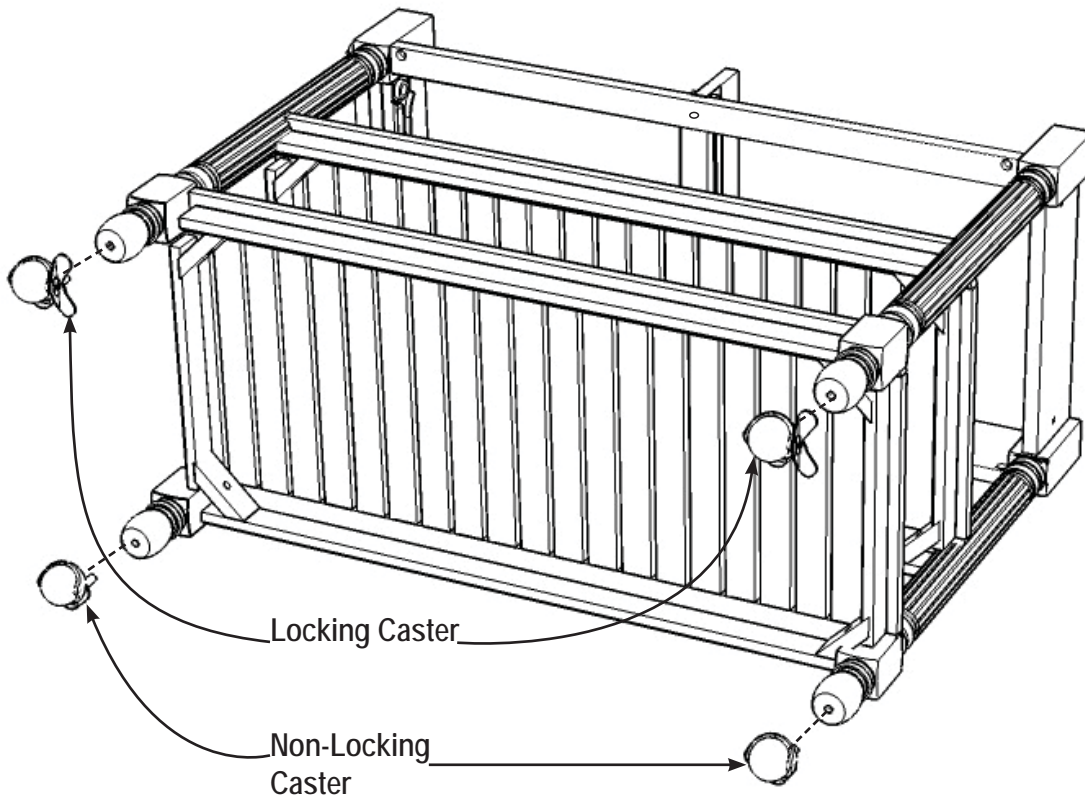
STEP 4

Attach Shelves (G) to unit with Head Cap Bolts (long), Spring Washers and Flat Washers.
(See figure 2)



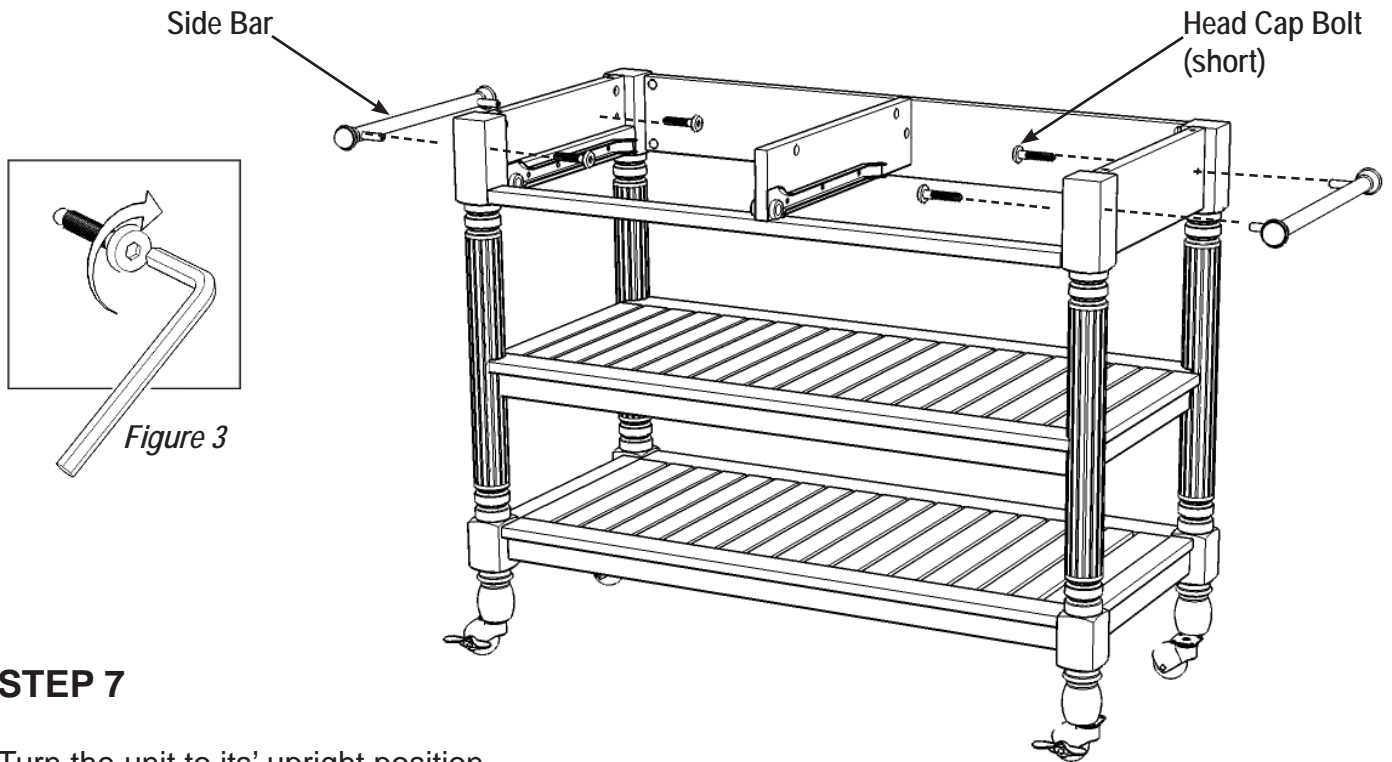
STEP 5

Attach Side Frame (C) to unit with Cam Locks, Head Cap Bolts (long), Spring Washers and Flat Washers.



STEP 6

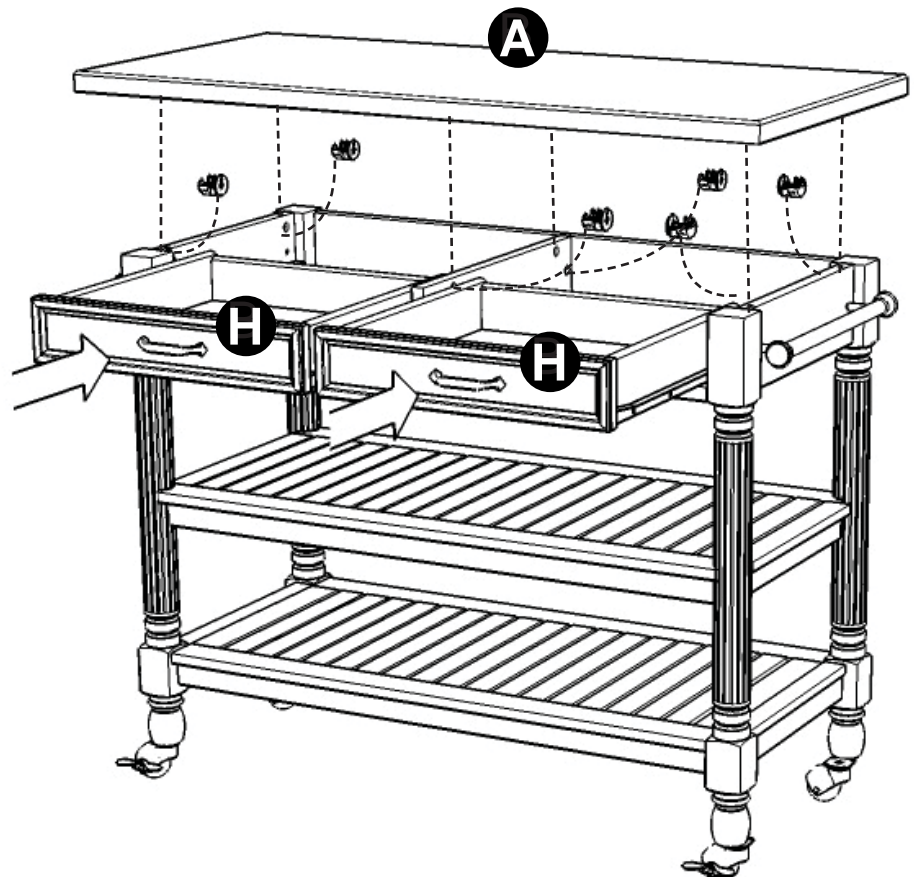
Attach the Casters to the legs of unit.



STEP 7

Turn the unit to its' upright position.

Attach Side Bars to unit with Head Cap Bolts (short).
(See figure 3)

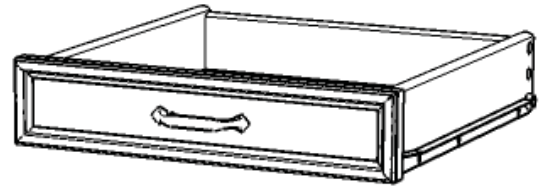


STEP 8

Place Top (A) onto unit with
Cam Locks.

Slide Drawers (H) into place.

Drawer (H)



STEP 1

Attach H1 to H3 and H4, using a Phillips screwdriver and long wood screws (4X), tighten halfway.

Attach H2 to H3 and H4 using long wood screws (4X), tighten halfway. (See figure 1)

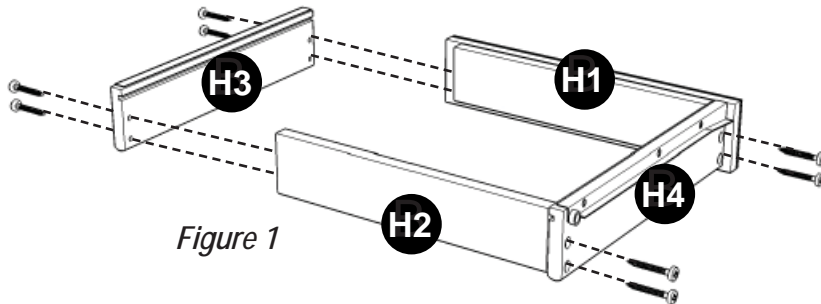


Figure 1

STEP 2

Slide H5 into the grooves in H3 and H4.

Be sure to push H5 all the way forward so it meets H1 (See figure 2)

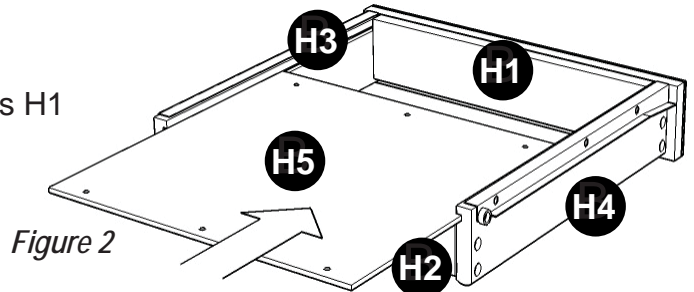


Figure 2

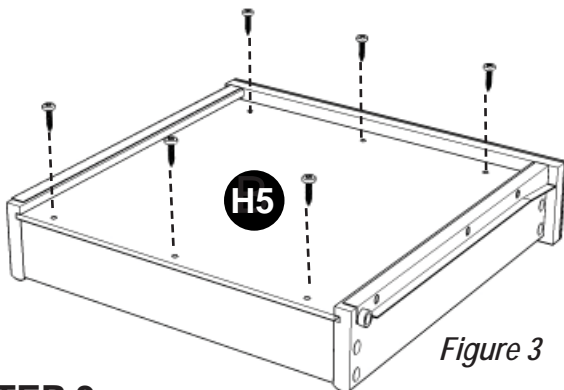


Figure 3

STEP 3

Insert short wood screw (6X) into the pre-drilled holes in H5 and tighten. (See figure 3)

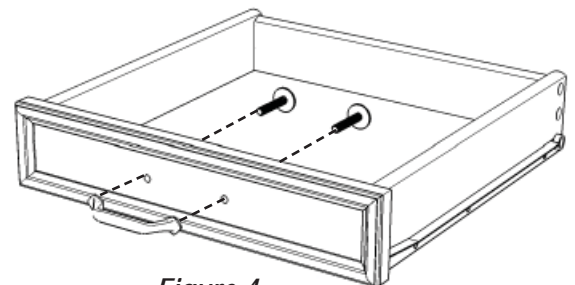


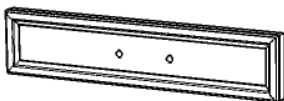
Figure 4

STEP 4

Assemble Pull Handle with machine screws. (See figure 4)

Tighten all screws used in drawer assembly.

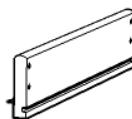
Part List



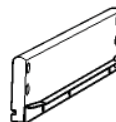
H1.
Front Part
2 Pcs.



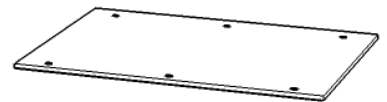
H2.
Back Part
2 Pcs.



H3.
Side Part
2 Pcs.



H4.
Side Part
2 Pcs.



H5.
Bottom Part
2 Pcs.