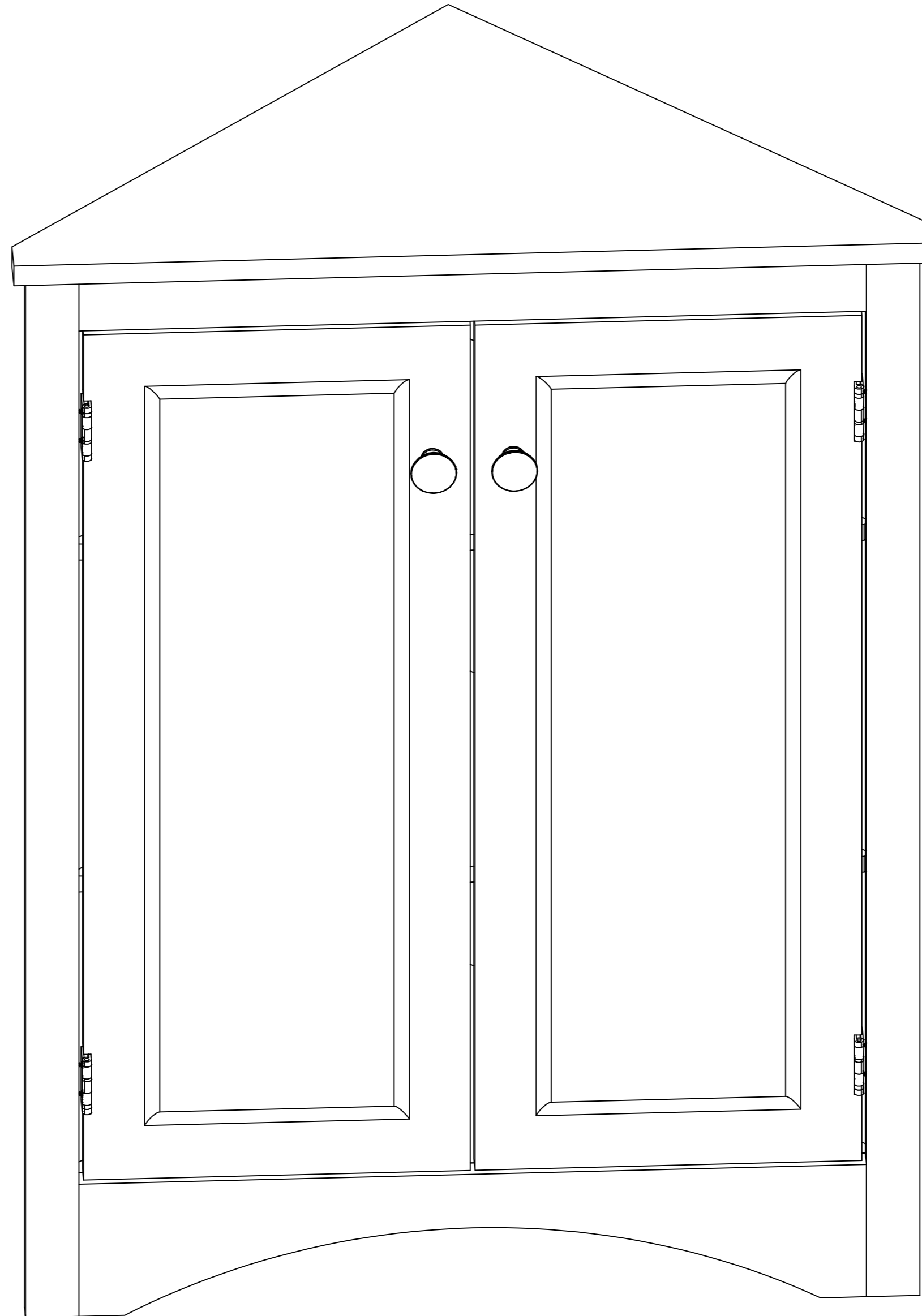
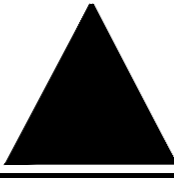
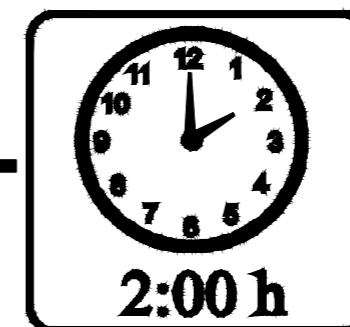
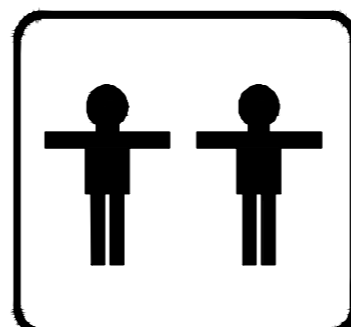
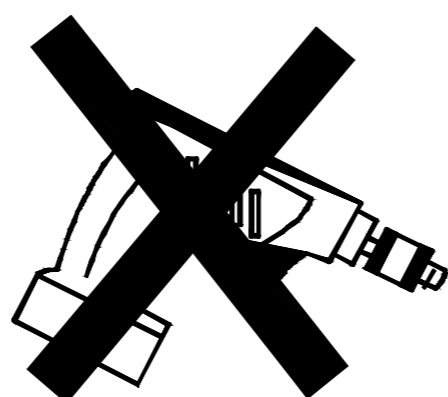


N725P334664
ASSEMBLY INSTRUCTIONS
STORAGE CABINET

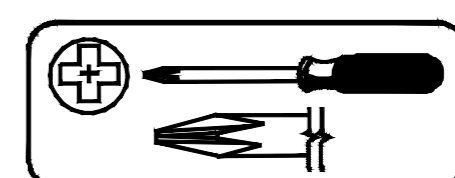


Thank you for purchasing this quality product. Be sure to check all pack material carefully for small parts which may have come loose inside carton during shipment. Separate, identify and count all parts and hardware. Compare with the parts list to be sure all parts are present, "DO NOT TIGHTEN SCREWS UNTIL COMPLETELY ASSEMBLED"


* Use of power tool to assemble this product will invalidate any claim and damage this product making unsafe!!!
* Please assemble on a clean soft surface to avoid damage.



Tools Requi



(Not included)

IMPORTANT:

**PLEASE READ INSTRUCTION BEFORE STARTING THE ASSEMBLY
VEUILLEZ LIRE LES INSTRUCTIONS AVANT DE COMMENCER L'ASSEMBLAGE**

Before Installation

Important - Please read these instructions fully before starting assembly

Thank you for purchasing this quality product. Be sure to check all packing materials carefully for small parts, which may have come loose inside the carton during shipment. Identify and count all items according to the PARTS LIST and/or HARDWARE LIST shown below. Check you have all the components and tools listed on the following pages.

. We recommend that you assemble this product with the assistance of another person; this will make the assembly easier, and will help eliminate damage to the product or injury to persons during assembly.

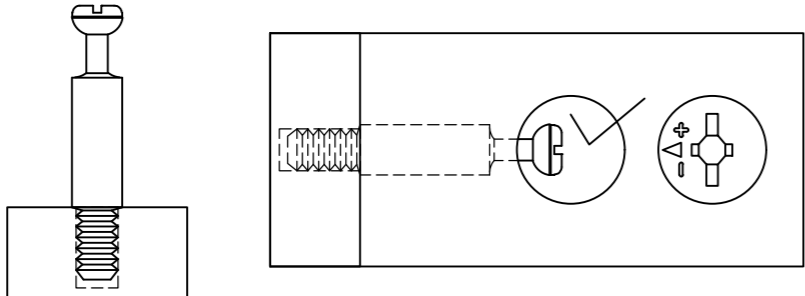
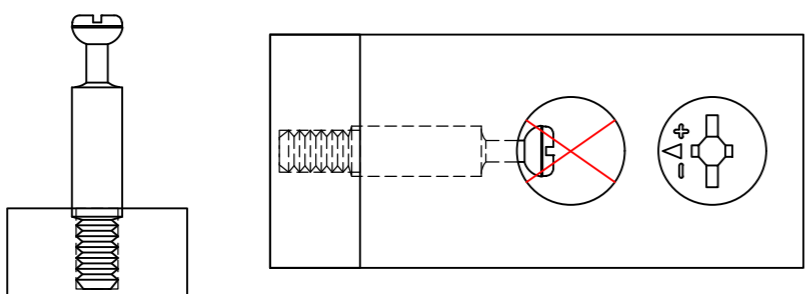
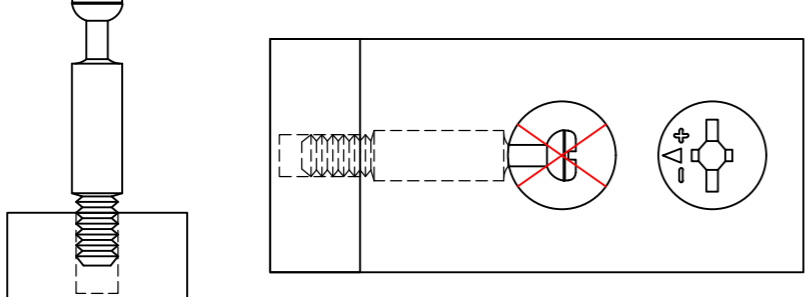
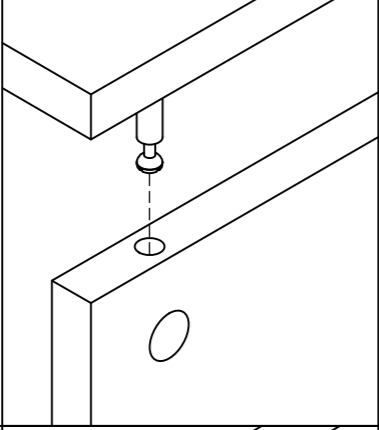
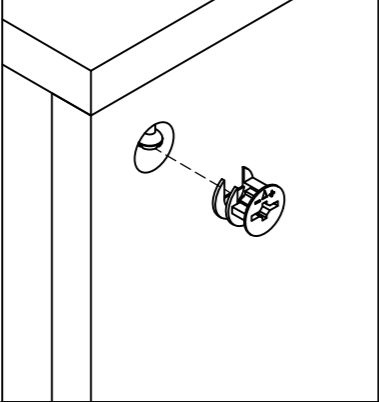
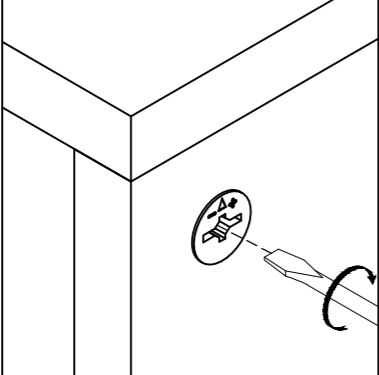
. Please do not over tighten screws or bolts until the assembly is completed.

. Keep children and animal away from the work area, small parts could choke if swallowed.

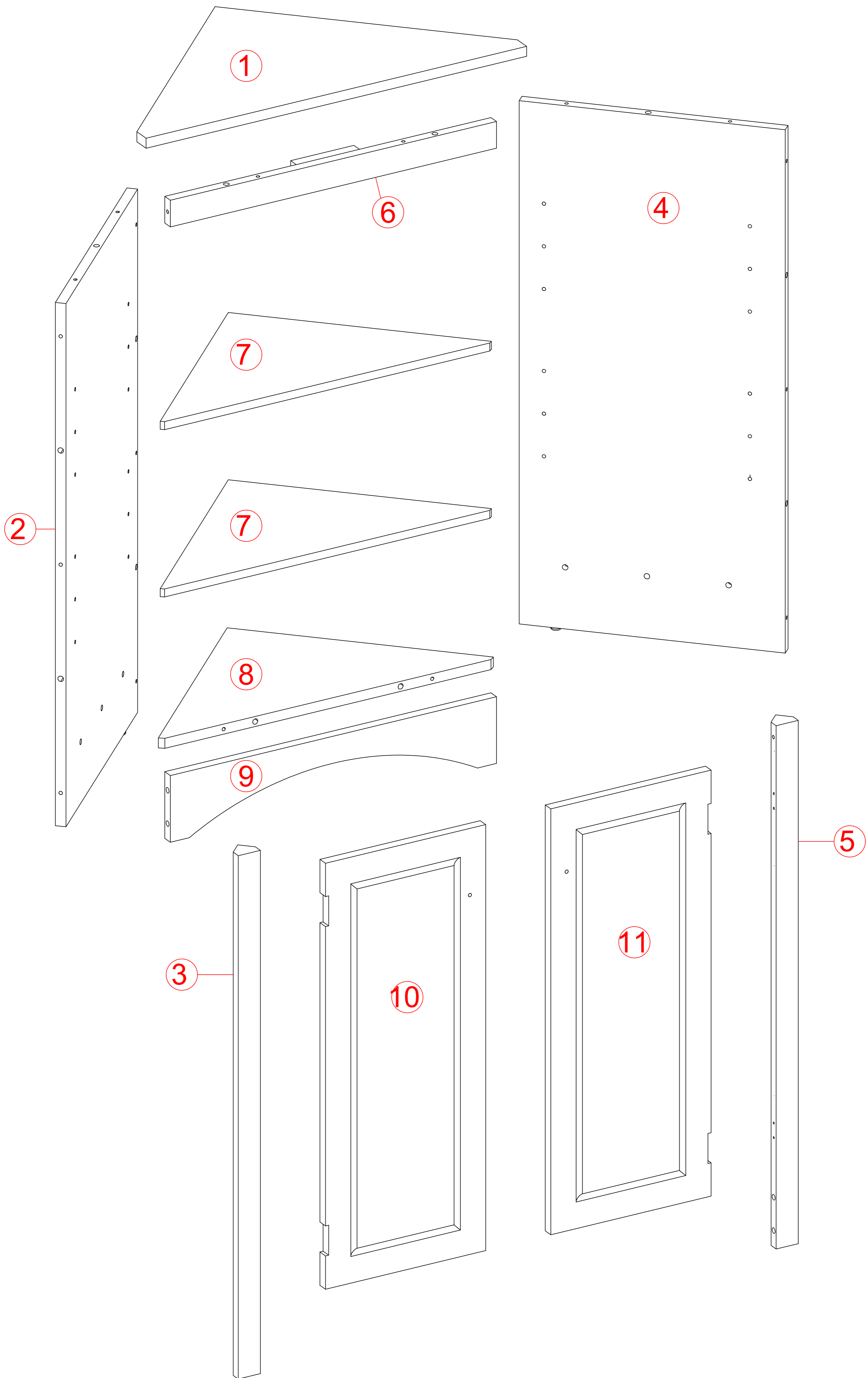
. Please put all parts on a non-abrasive floor before assembly, and follow the assembly steps to assemble your newly purchased product correctly and efficiently.

If you find that you have any trouble with assembly or missing or damaged parts please contact the seller.

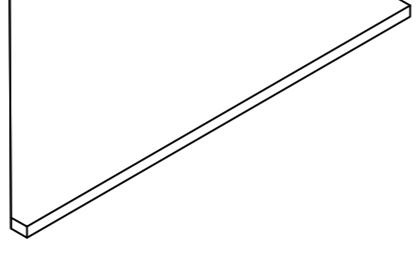
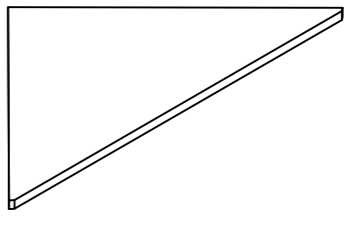
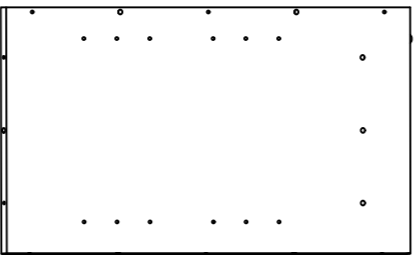
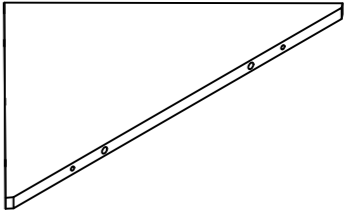
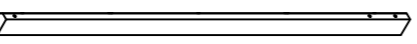
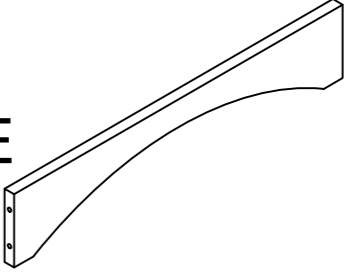
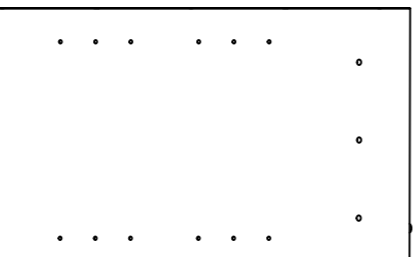
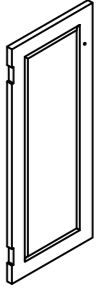
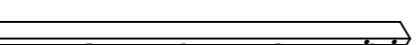
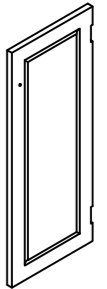
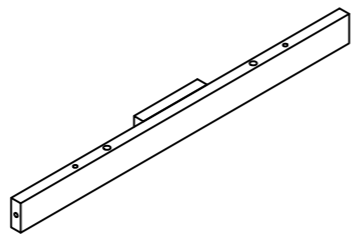
Cam Lock Assembly Instructions

	Insert Cam Bolt into hole as shown in diagram A.
	Make sure not to insert the Cam Bolt. Too deep as shown in figure B as this will cause the Cam Lock to be misaligned and unable to interlock properly.
	Also avoid inserting the Cam Bolt too close to the surface of the hole as shown in figure C, as this will cause the Cam Lock to be too loose, and not interlock properly.
	Connect the panels together.
	ARROW SIGN Insert the Cam Lock so the side opening fits over the head of the Cam Bolt.
	To tighten the Cam Lock, turn it clockwise on half a turn with a flat screwdriver. <i>*Do not use an automatic screwdriver as it may bend or break if too much power is imposed.</i>

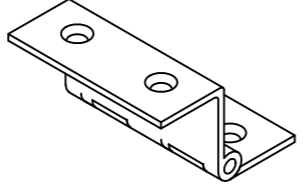
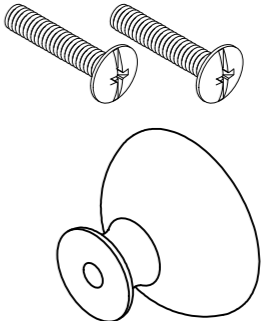
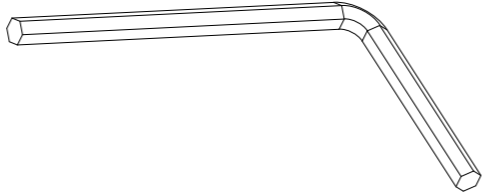
PRODUCT DETAILS



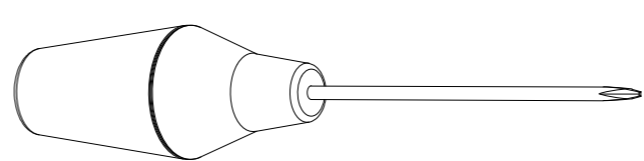
PART LIST

①	ROOF BOARD		1 PC	⑦	ADJUSTABLE SHELVE		2 PCS
②	LEFT BOARD		1 PC	⑧	BOTTOM BOARD		1 PC
③	LEFT LEG		1 PC	⑨	FRONT BAR FOOT BASE		1 PC
④	RIGHT BOARD		1 PC	⑩	LEFT DOOR		1 PC
⑤	RIGHT LEG		1 PC	⑪	RIGHT DOOR		1 PC
⑥	FRONT BAR ROOF		1 PC				

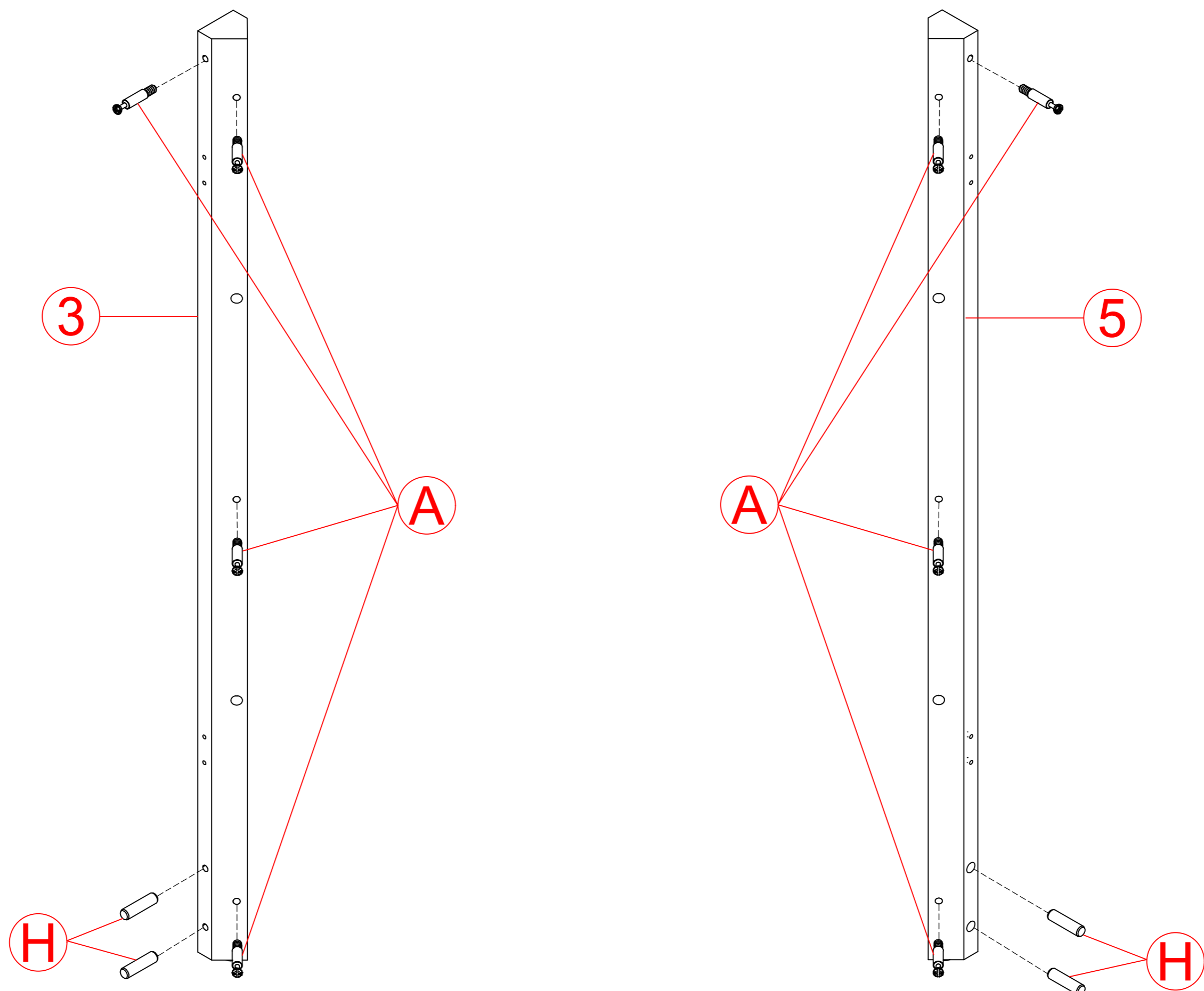
HARDWARE LIST

A	Ø5*35MM		19 PCS	H	Ø8*30MM		22 PCS
B	Ø15*10MM		19 PCS	I	L15MM		8 PCS
C	HINGLE		4 PCS	J	J1: L45MM		2 PCS
				J	J2: L45MM		2 PCS
D	M6*50MM		4 SETS	K	M4*15MM		2 SETS
E	Ø3.5*12MM		24 PCS	L	STICKER		17 PCS
F	Ø3.5*12MM		12 PCS	M			2 SETS
G	L 4*58MM		1 PC				

ASSEMBLY TOOLS REQUIRED (NOT INCLUDED)
OUTILS D'ASSEMBLAGE REQUIS (NON INCLUS)

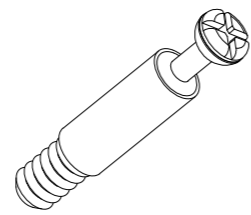


STEP 1



A

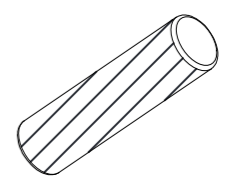
Ø5*35MM



8 PCS

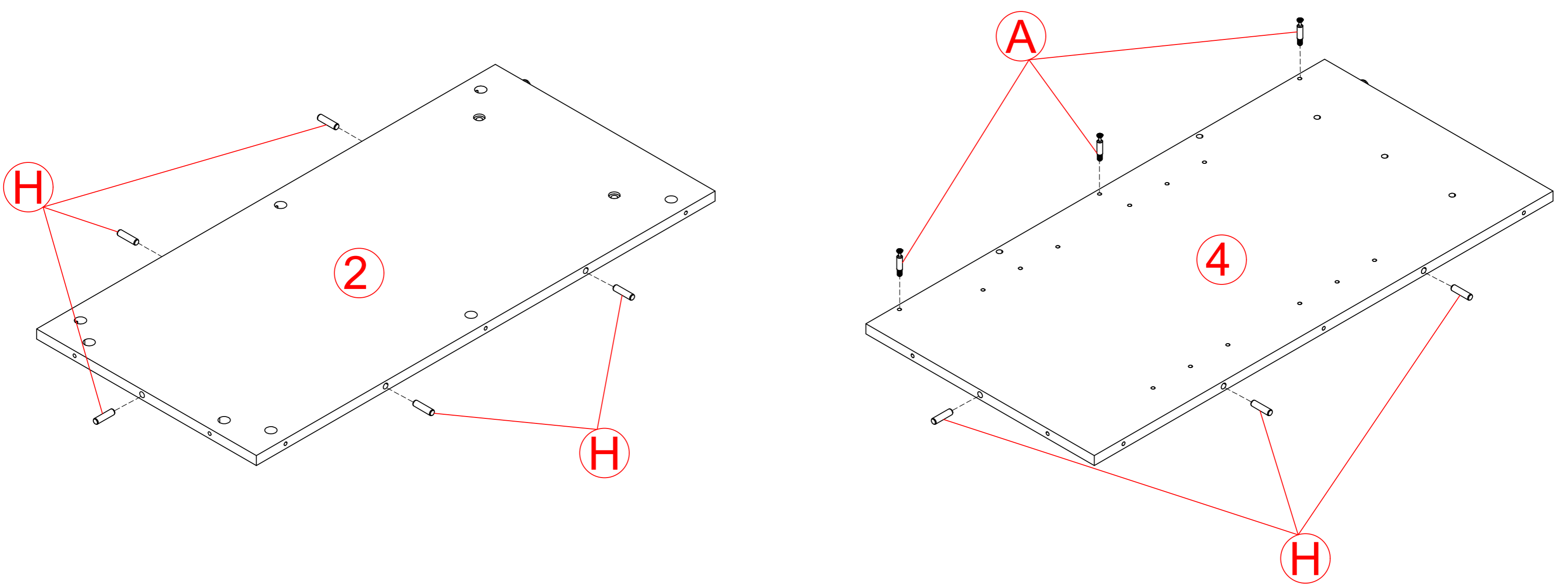
H

Ø8*30MM



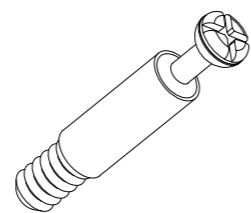
4 PCS

STEP 2



A

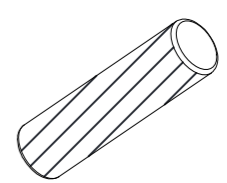
Ø5*35MM



3 PCS

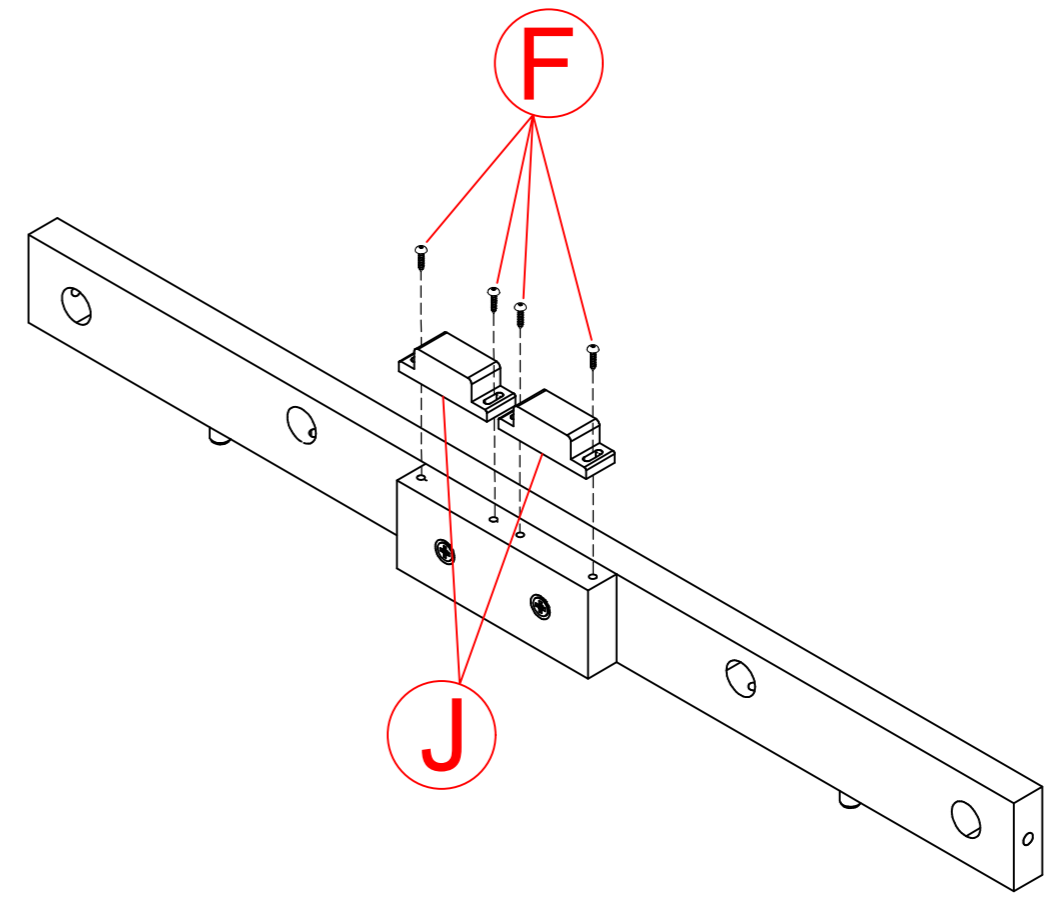
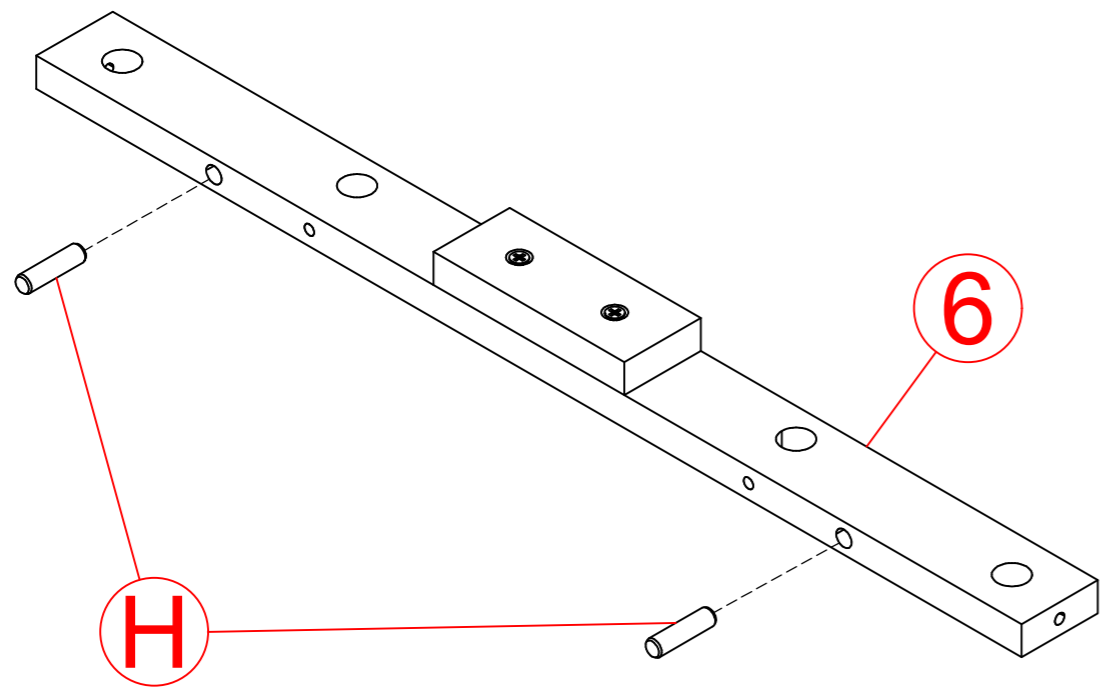
H

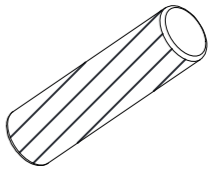
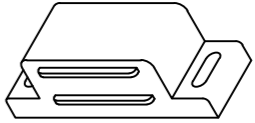
Ø8*30MM



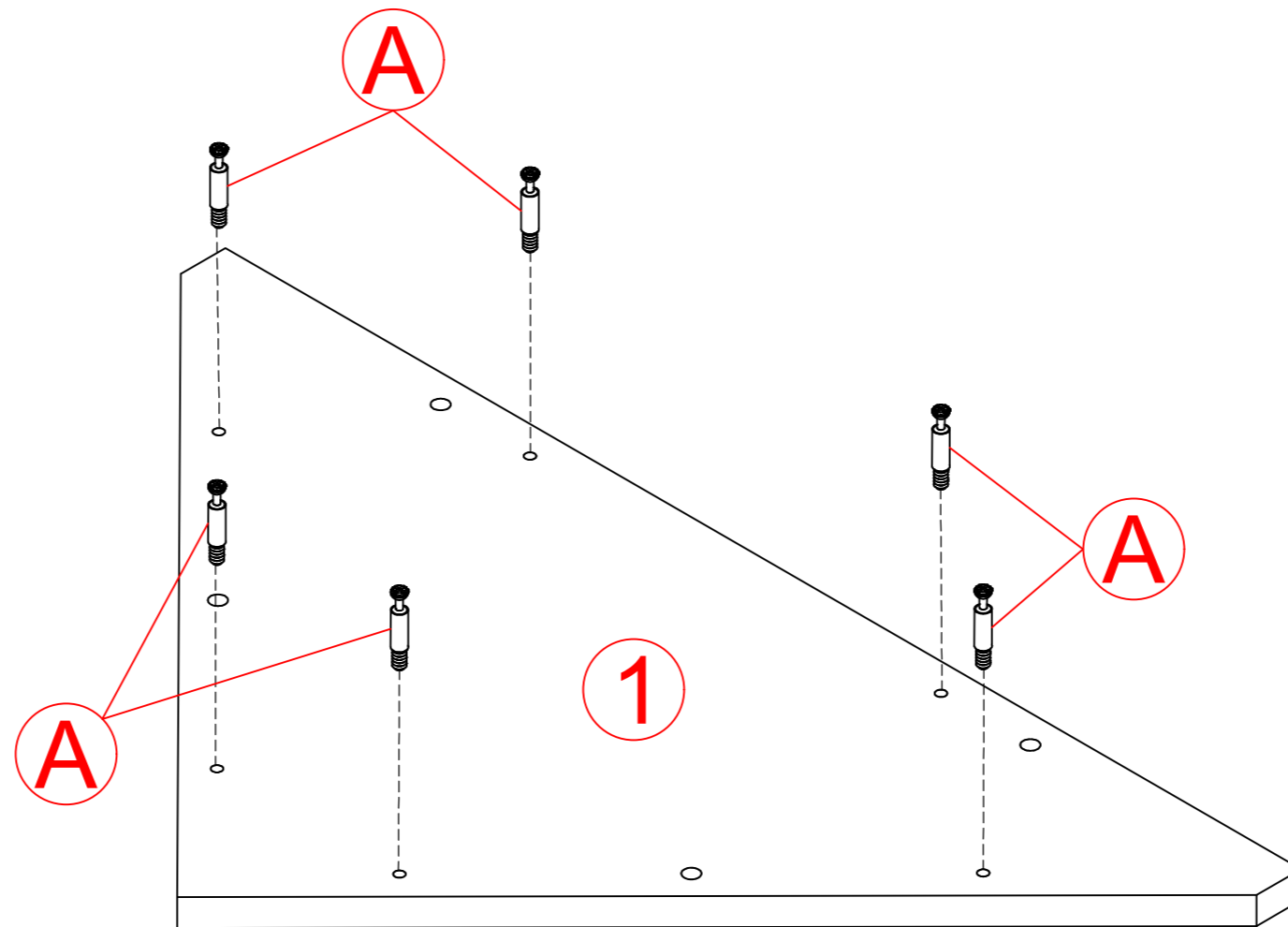
8 PCS

STEP 3



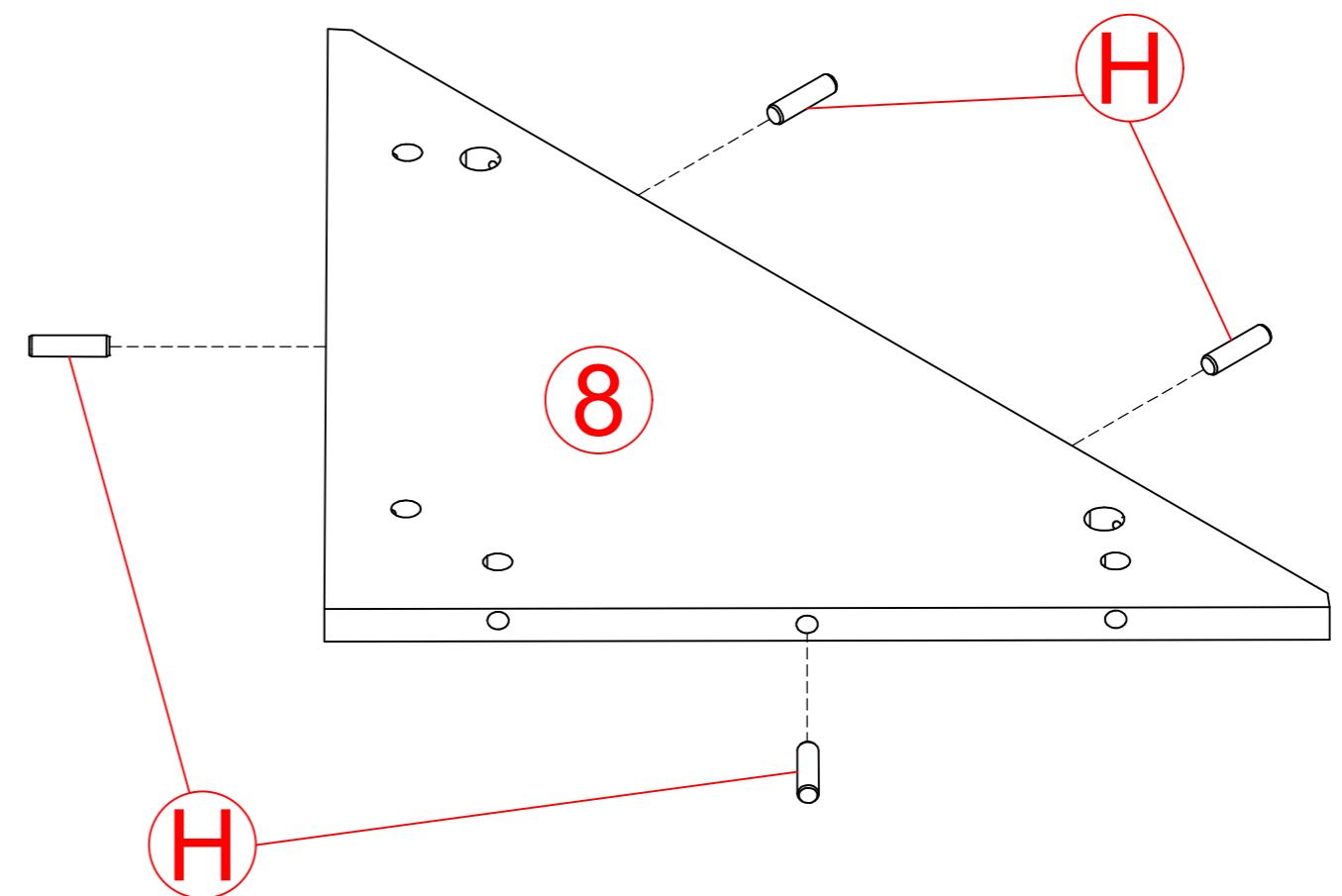
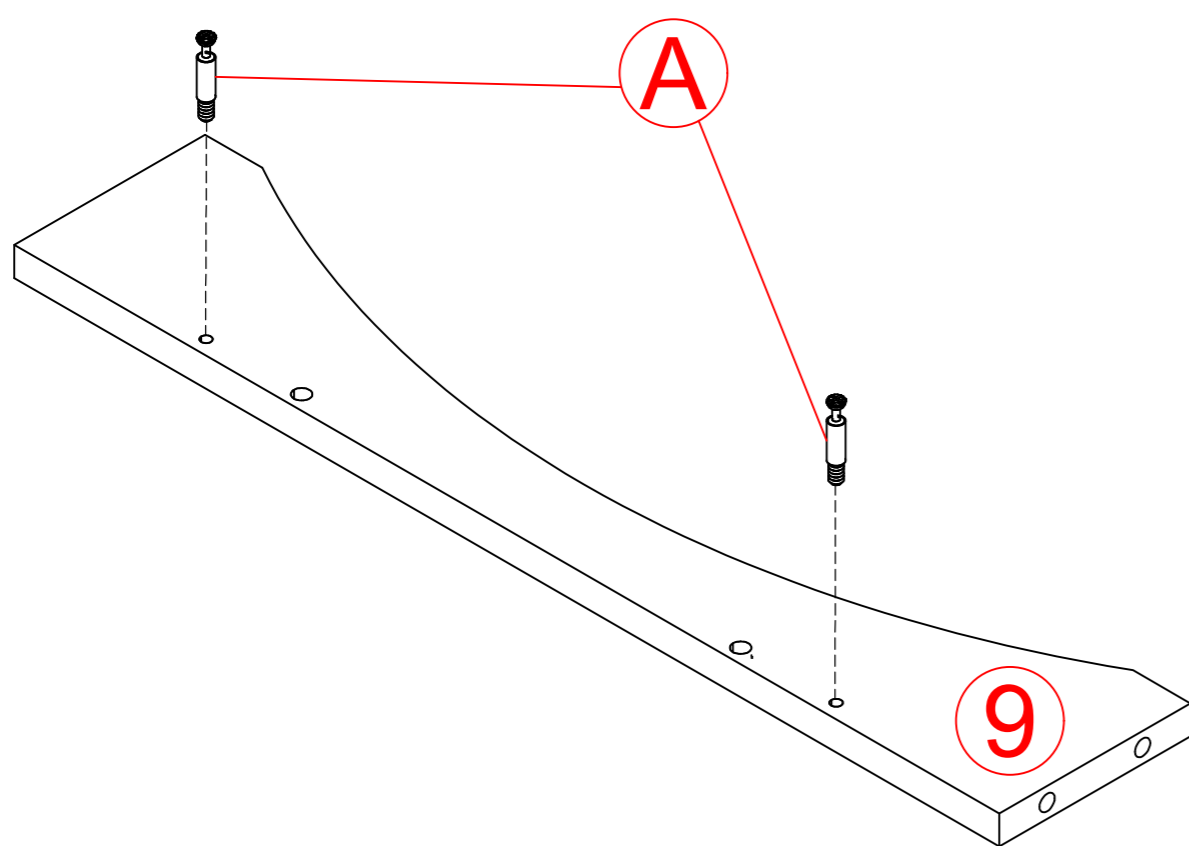
H	Ø8*30MM		2 PCS
F	Ø3.5*12MM		4 PCS
J	J1: L45MM		2 PCS

STEP 4

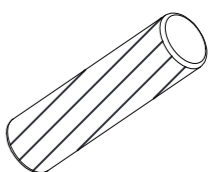


A	Ø5*35MM		6 PCS
----------	---------	---	-------

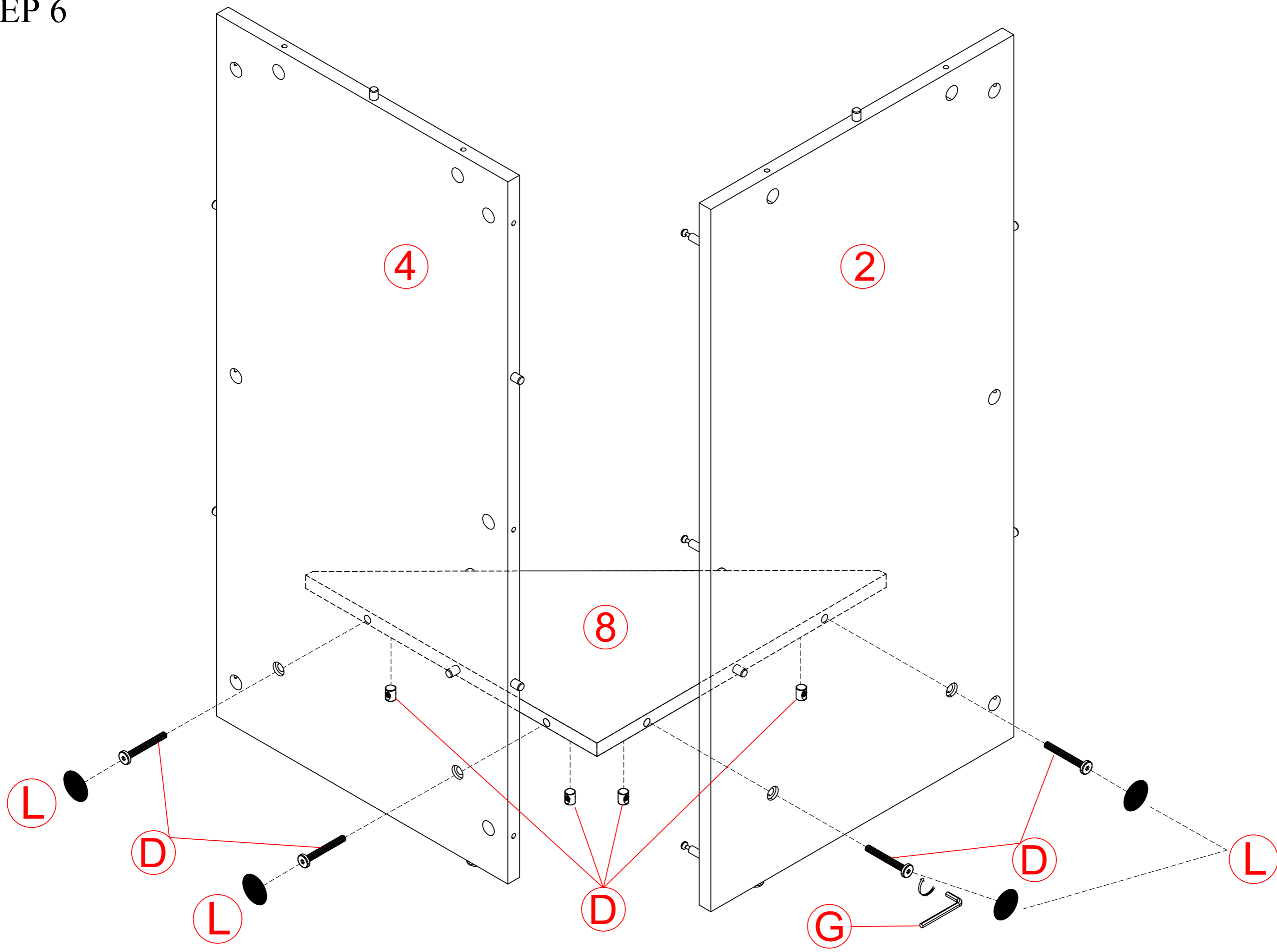
STEP 5

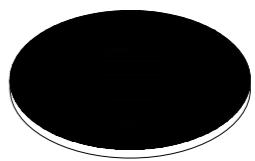
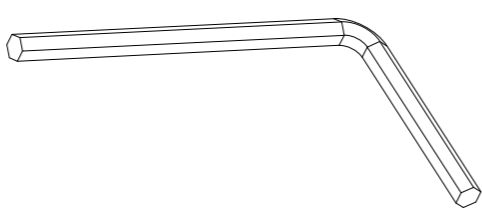
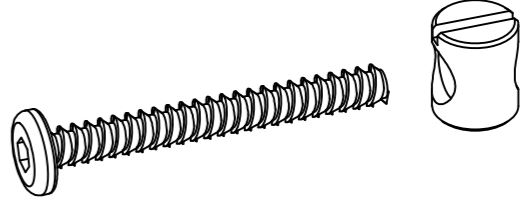


A	Ø5*35MM		2 PCS
----------	---------	---	-------

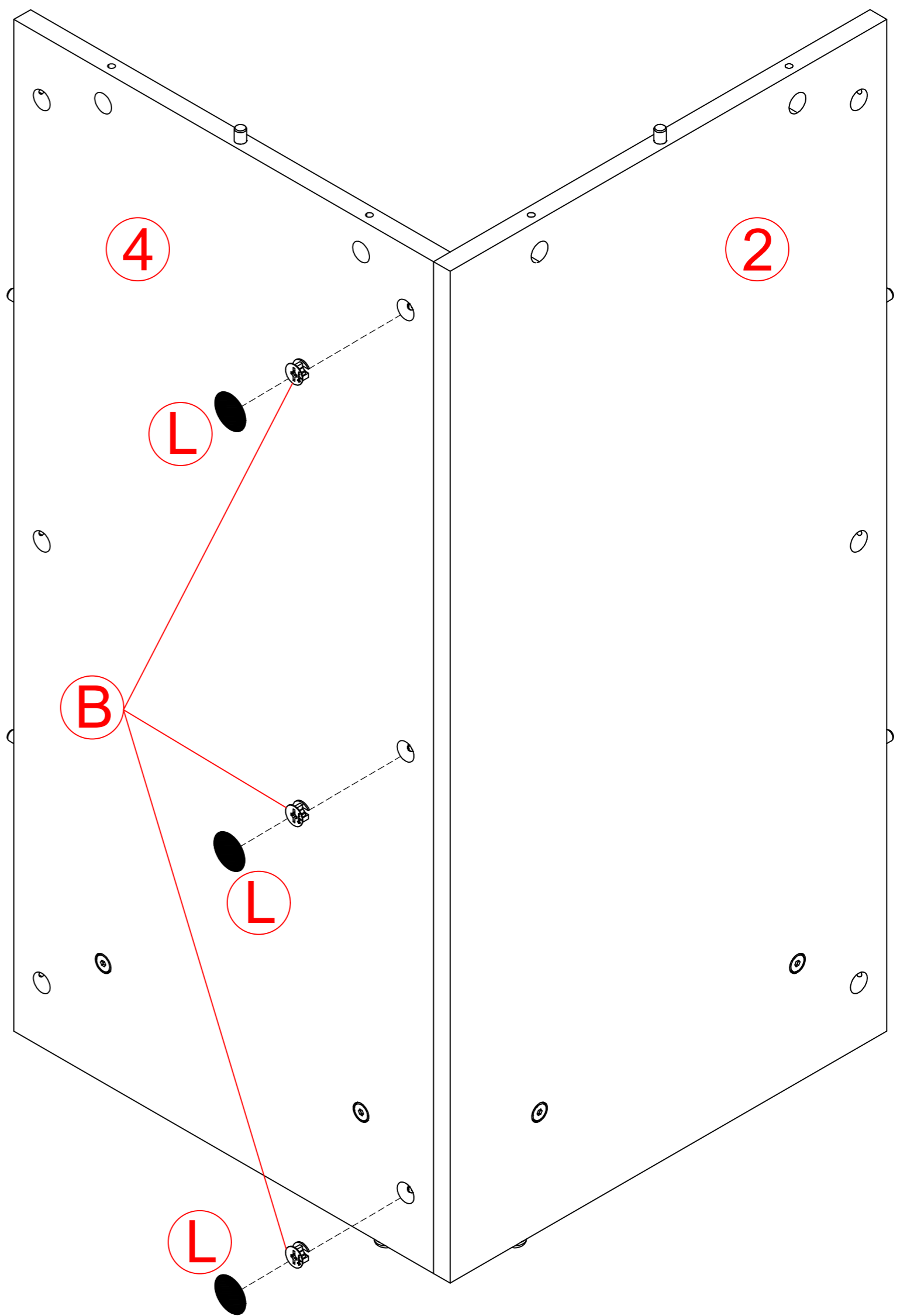
H	Ø8*30MM		4 PCS
----------	---------	---	-------

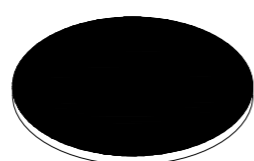
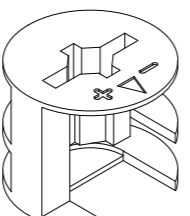
STEP 6



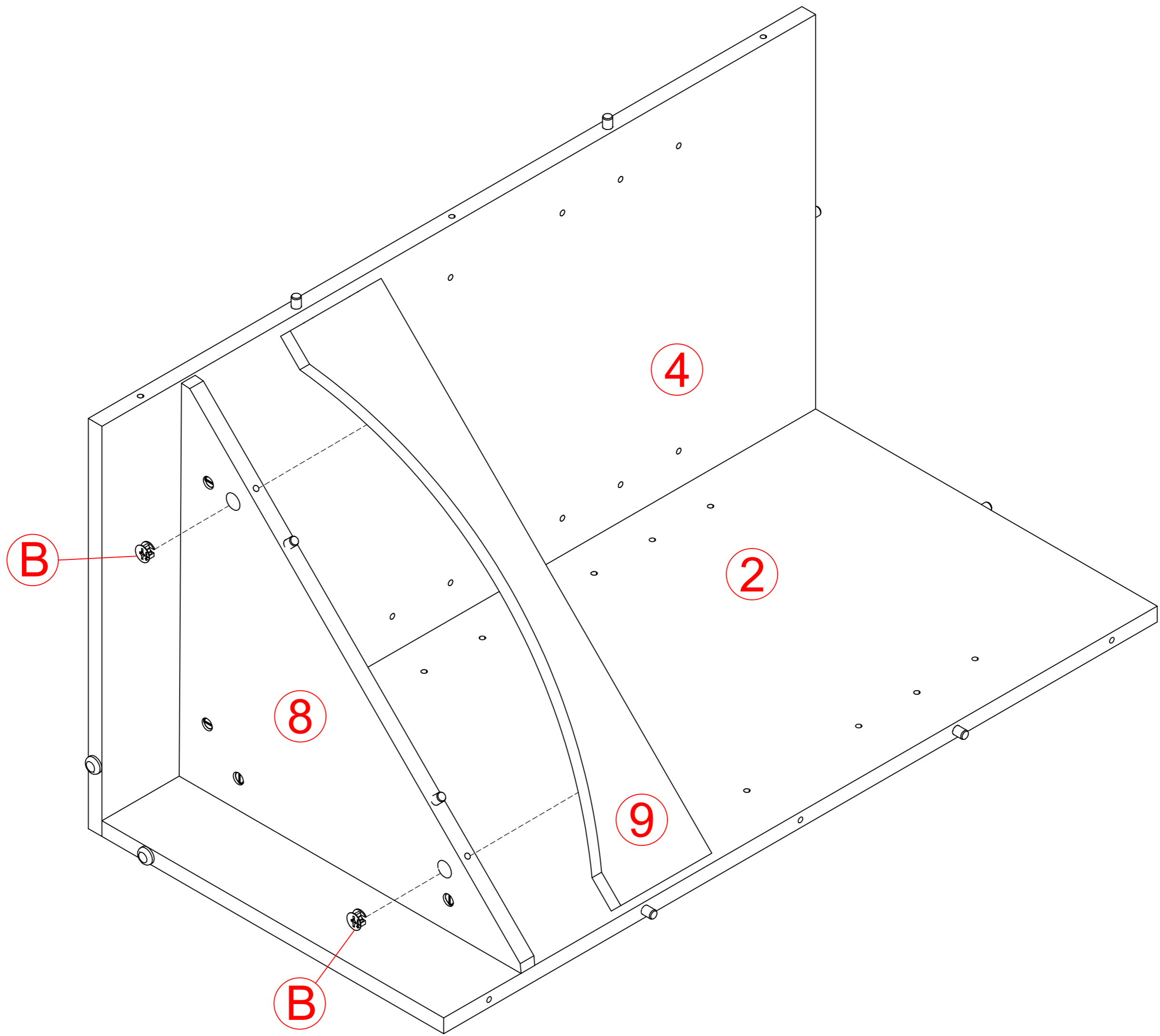
			4 PCS
	G L 4*58MM		D M6*50MM 4 SETS

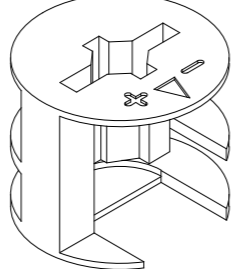
STEP 7



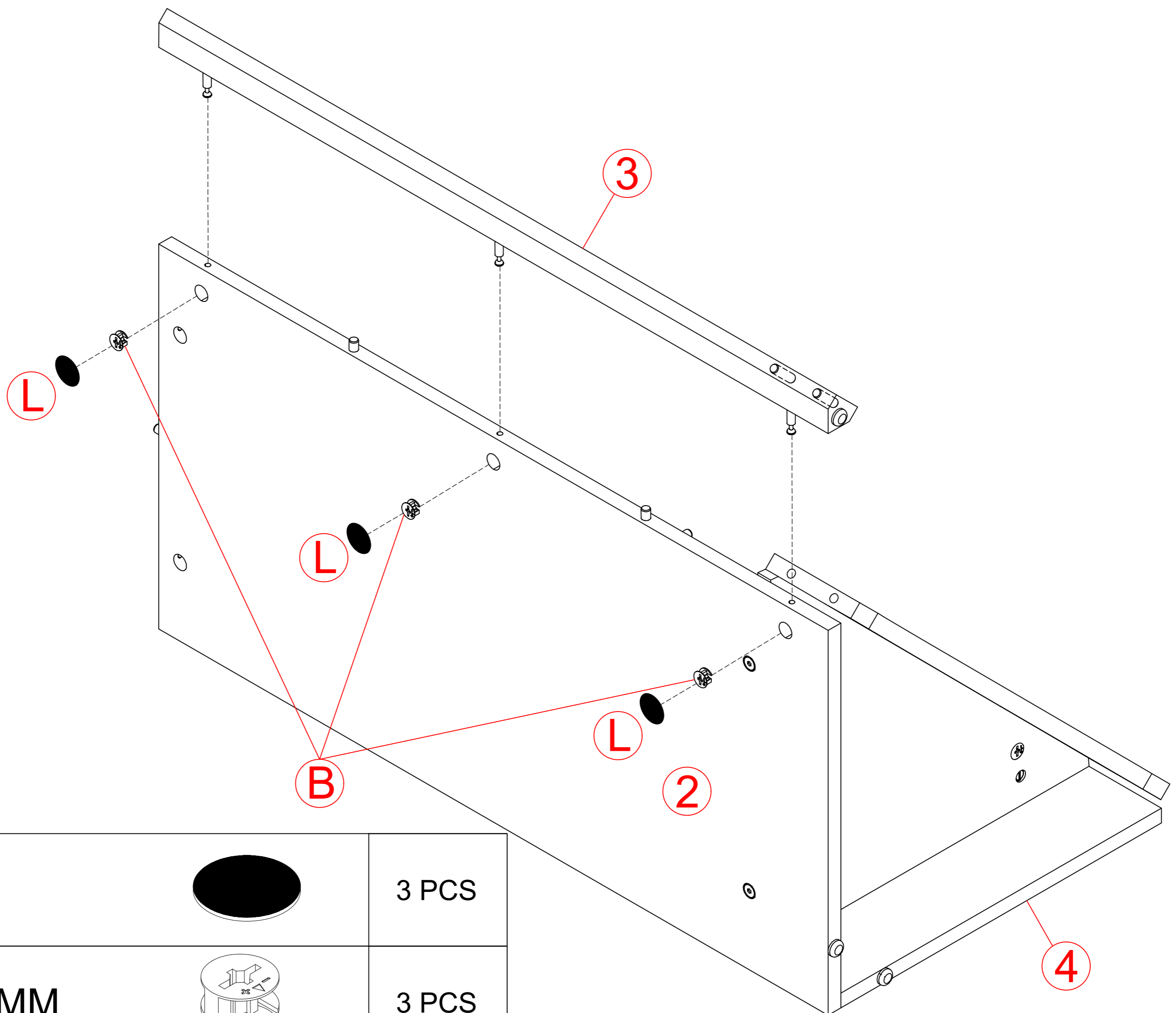
	L	3 PCS
	B Ø15*10MM	3 PCS

STEP 8



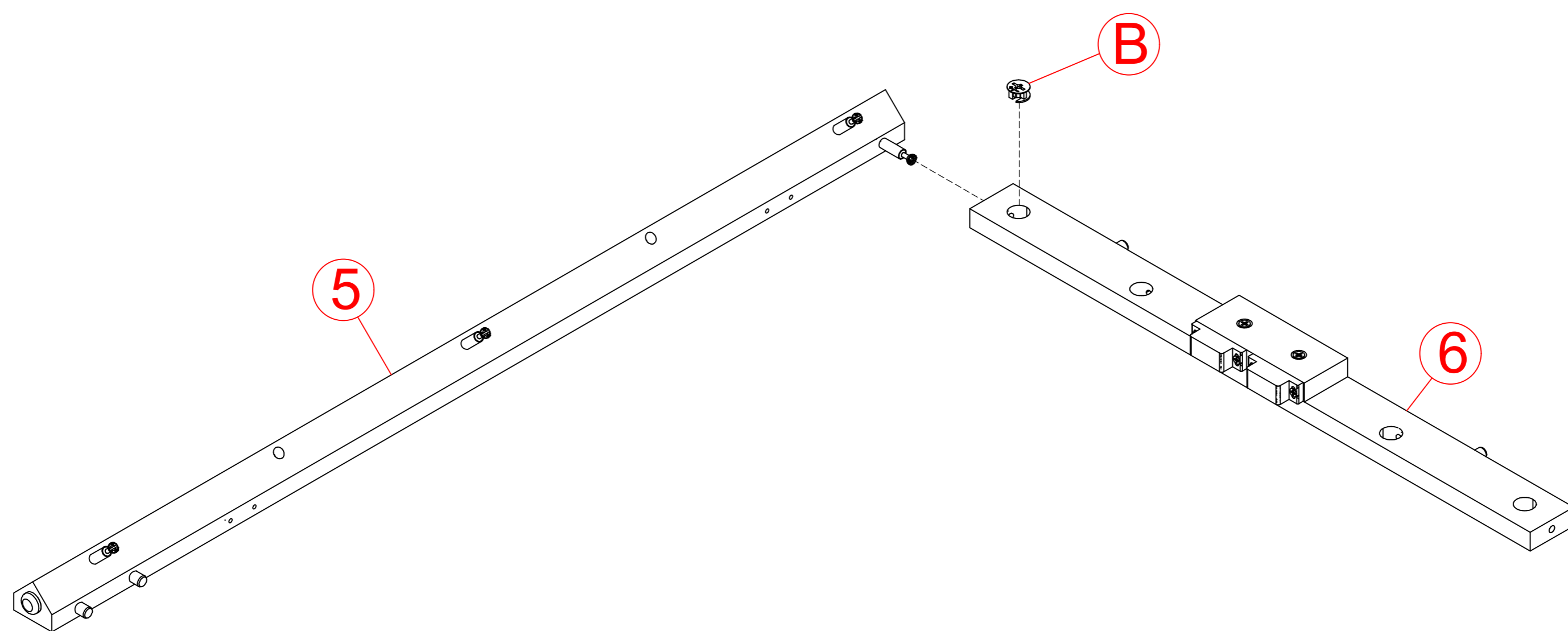
<p>(B)</p>	<p>Ø15*10MM</p>	 <p>2 PCS</p>
------------	-----------------	--

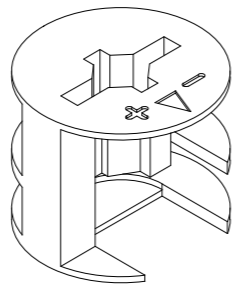
STEP 8



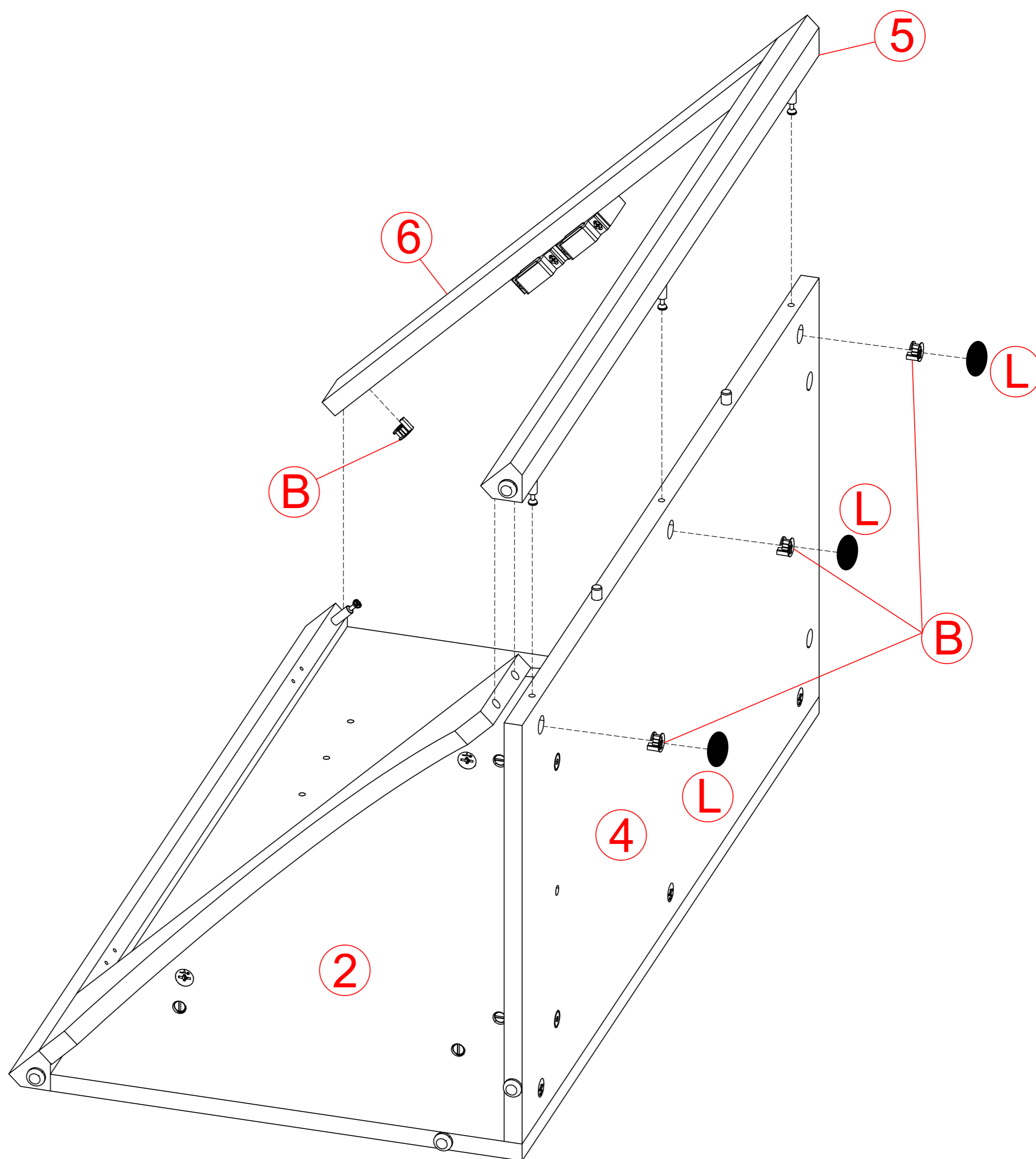
<p>(L)</p>	 <p>3 PCS</p>	
<p>(B)</p>	<p>Ø15*10MM</p>	 <p>3 PCS</p>

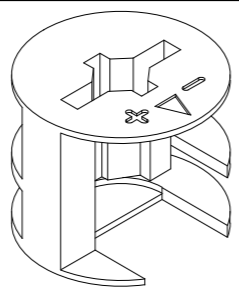
STEP 9

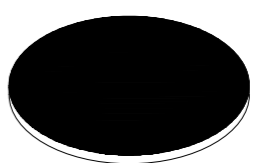


<p>B</p>	<p>Ø15*10MM</p>		<p>1 PC</p>
-----------------	-----------------	---	-------------

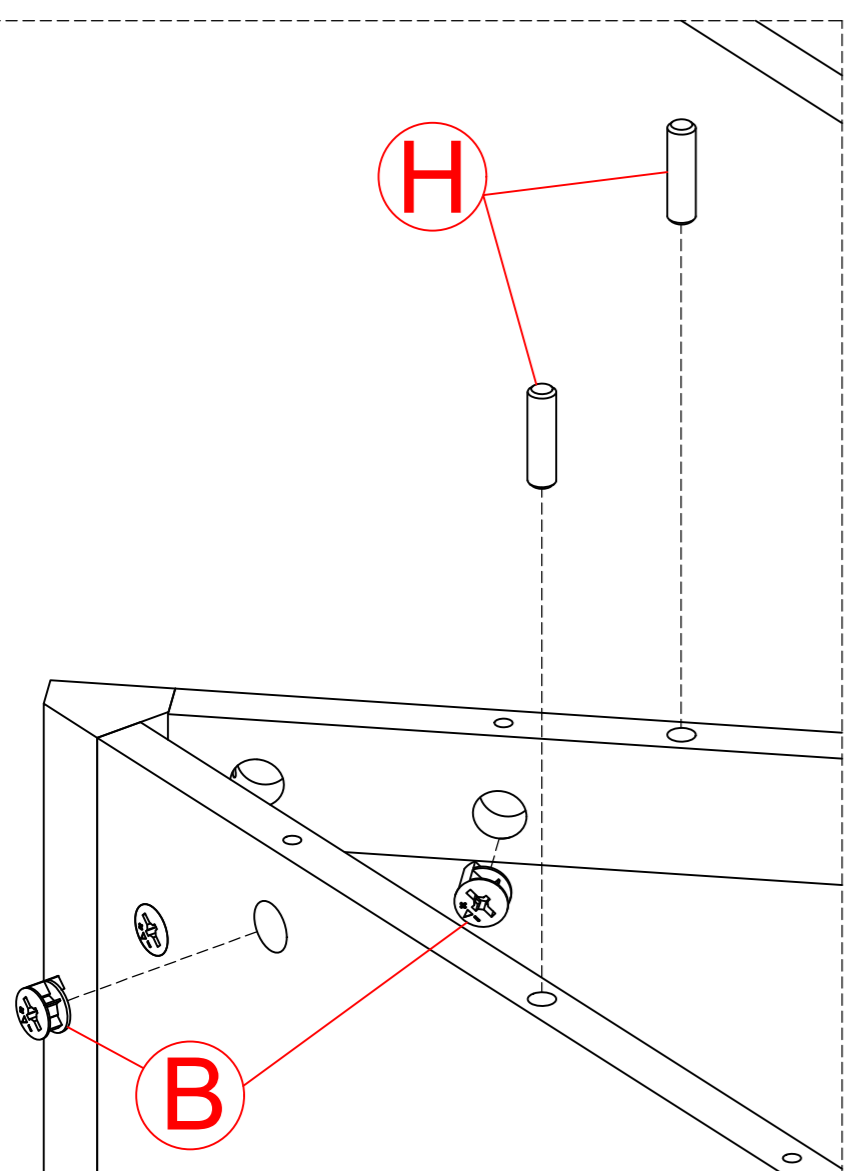
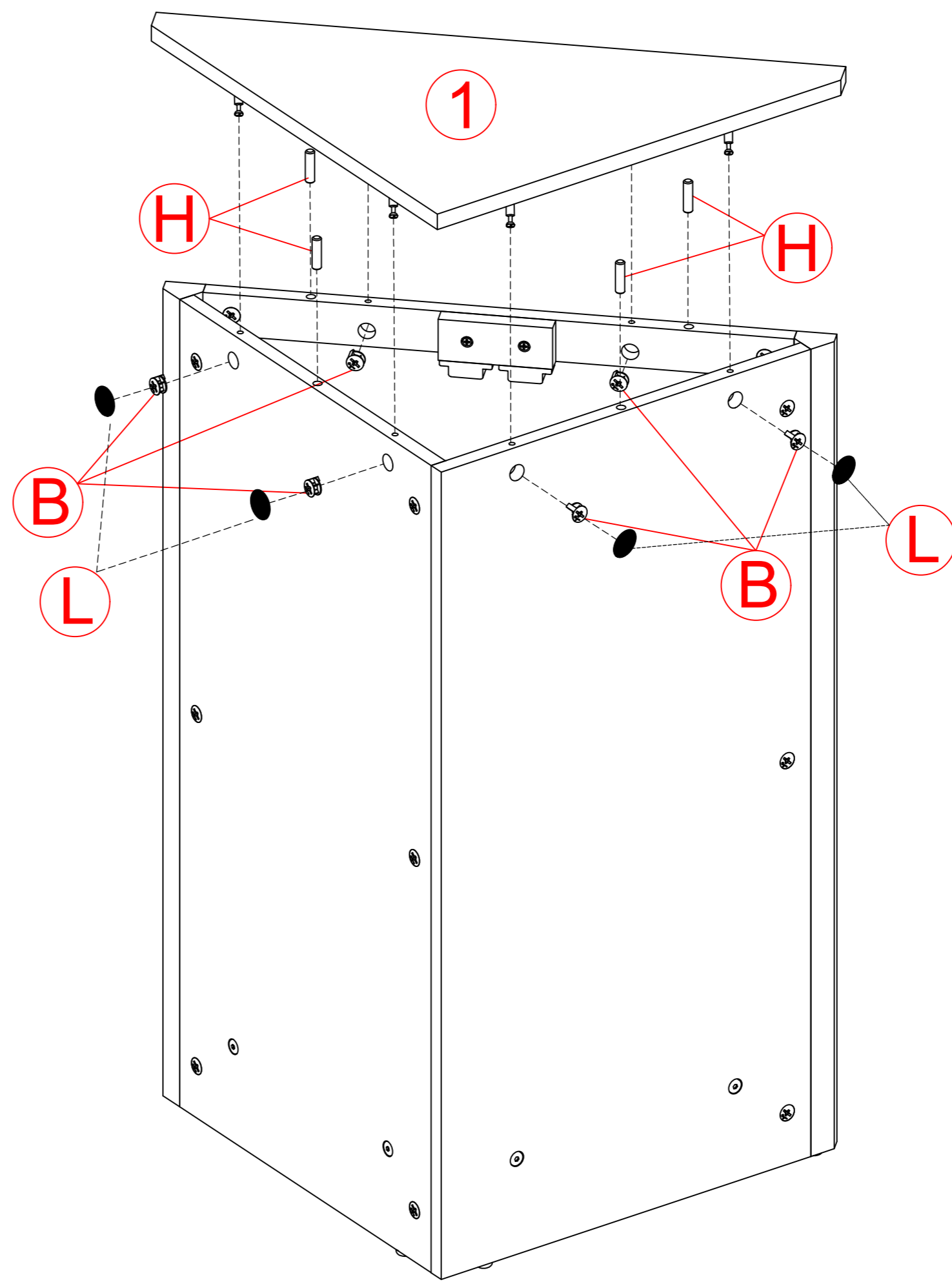
STEP 10

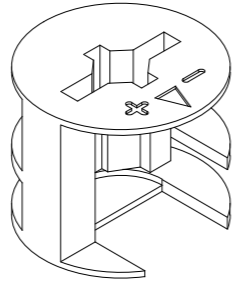


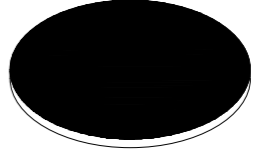
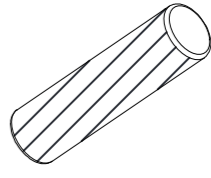
<p>B</p>	<p>Ø15*10MM</p>		<p>4 PCS</p>
-----------------	-----------------	---	--------------

<p>L</p>		<p>3 PCS</p>
-----------------	---	--------------

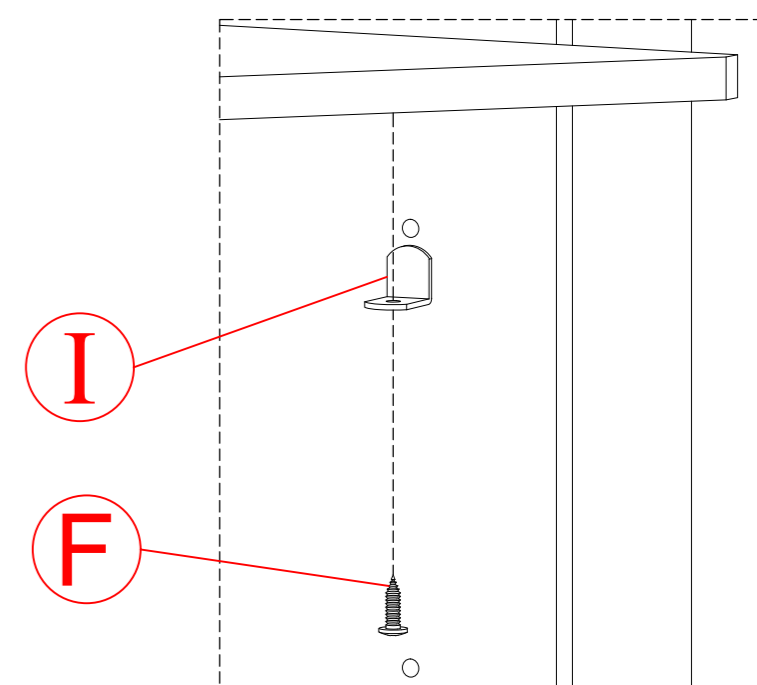
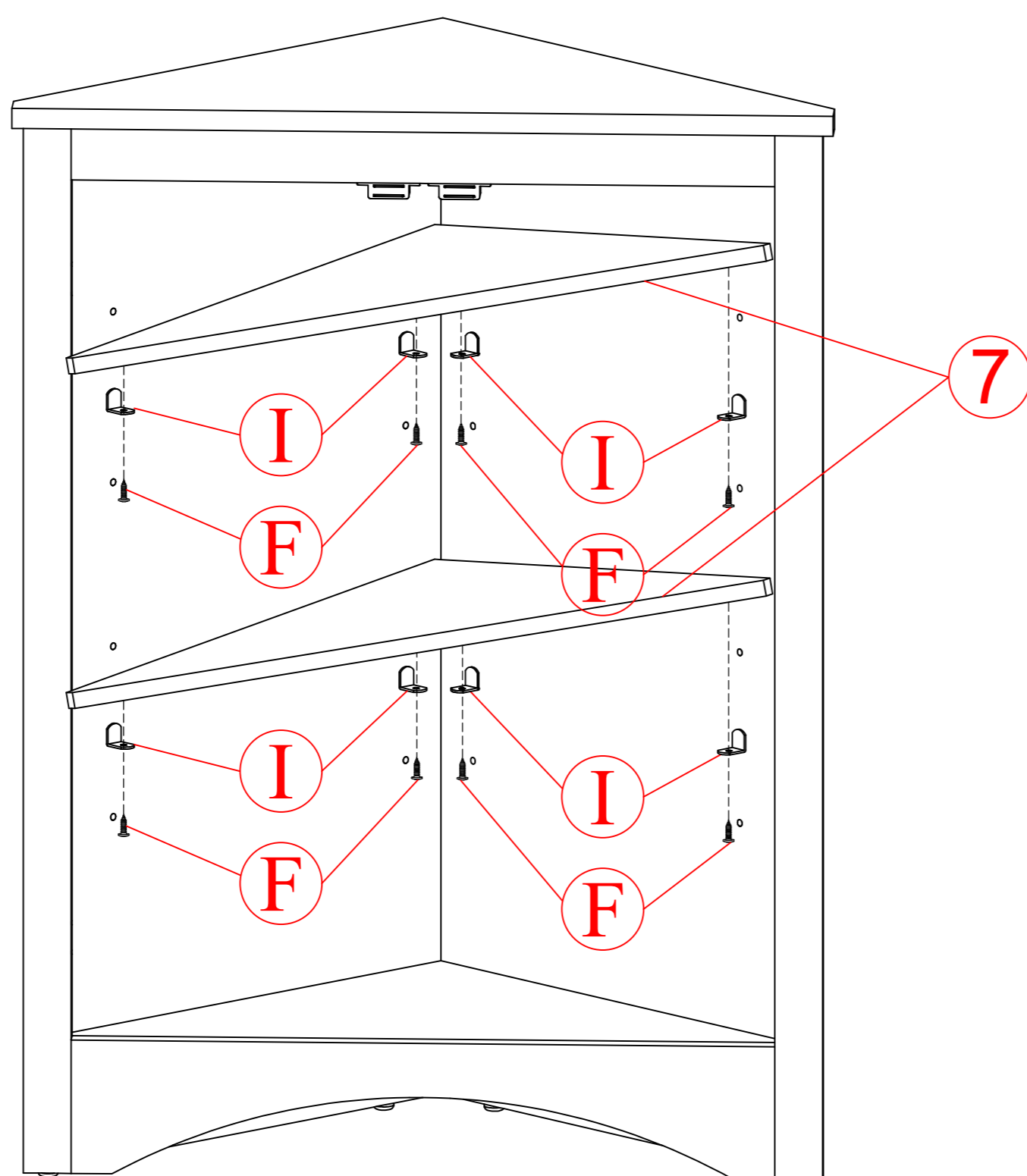
STEP 11

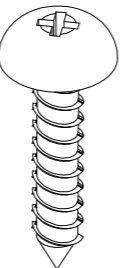


B	Ø15*10MM		6 PCS
----------	----------	---	-------

L		4 PCS	
H	Ø8*30MM		4 PCS

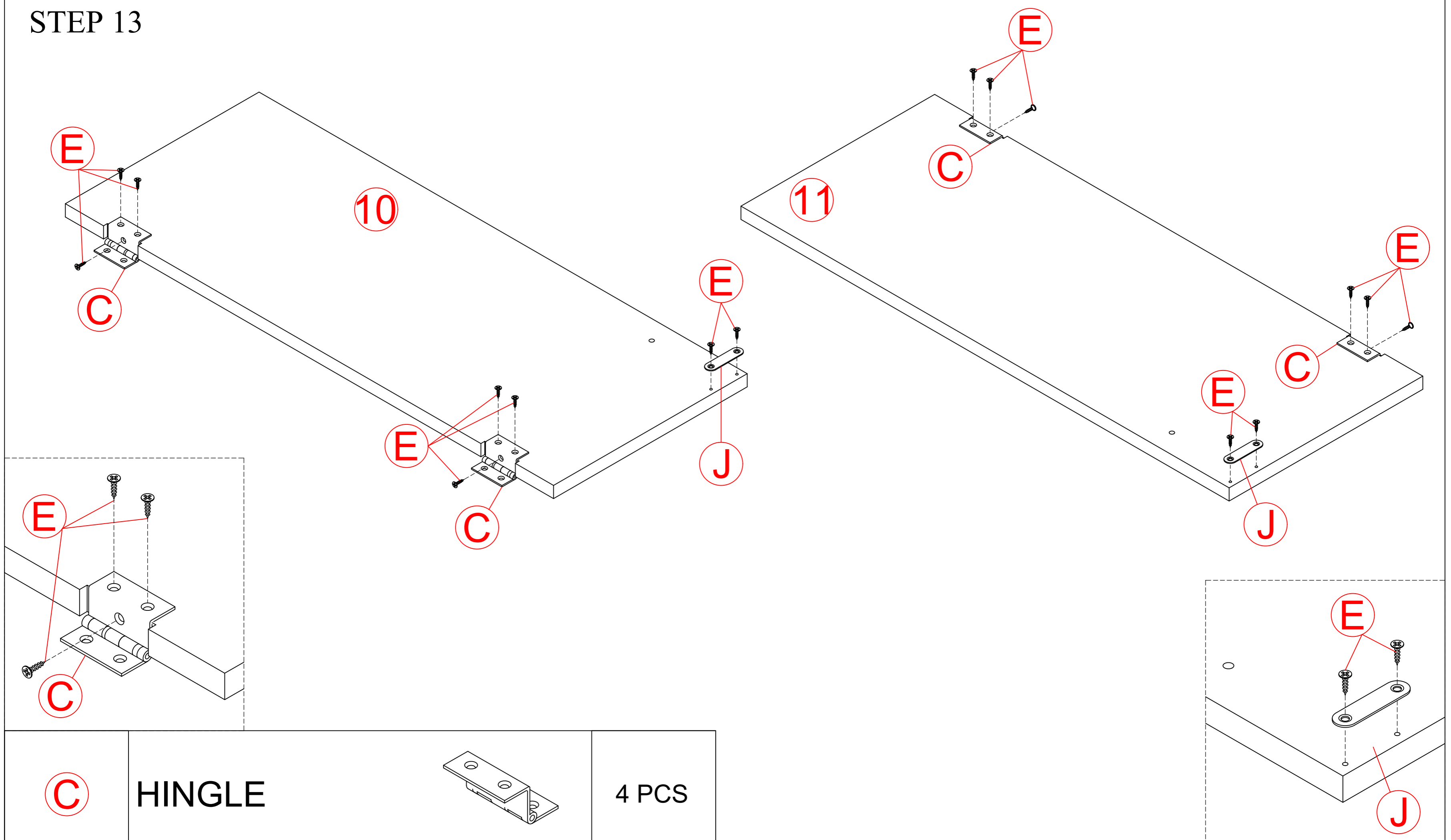
STEP 12

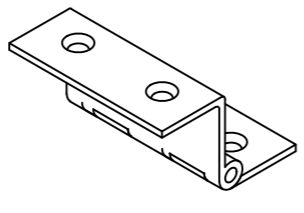
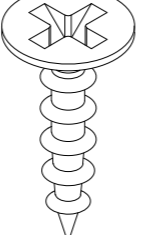


F	Ø3.5*12MM		8 PCS
----------	-----------	---	-------

I	L15MM		8 PCS
----------	-------	---	-------

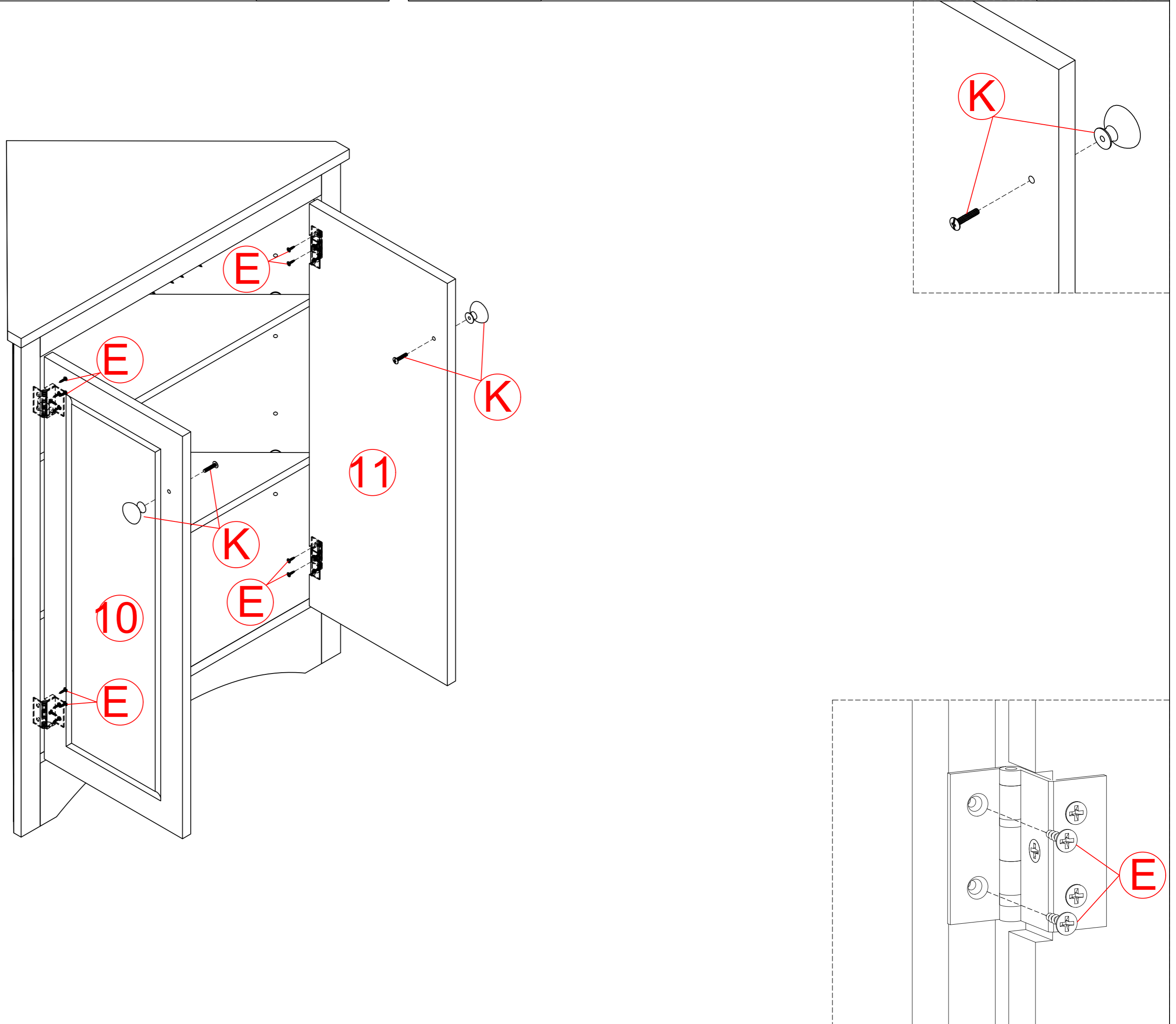
STEP 13

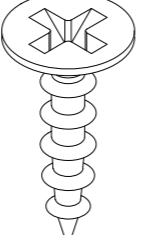


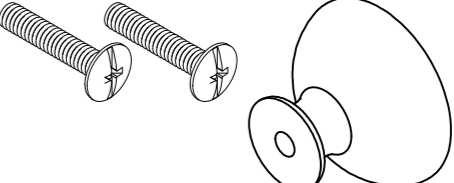
C	HINGLE	 4 PCS
E	Ø3.5*12MM	 16 PCS

J	J2: L45MM	 2 PCS
---	-----------	--

STEP 14

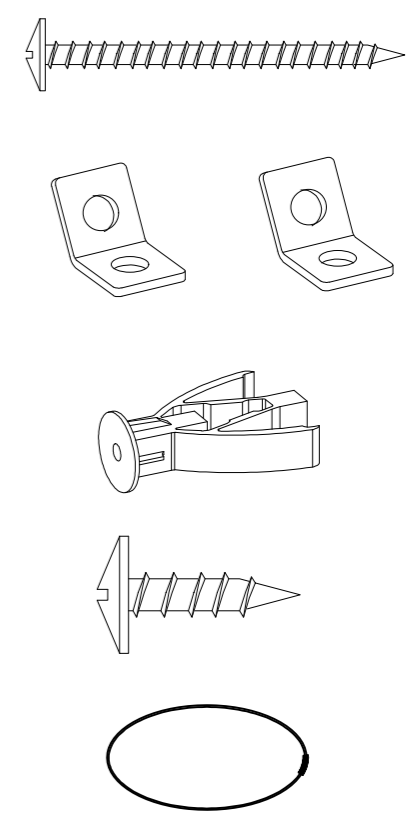


E	Ø3.5*12MM	 8 PCS
---	-----------	--

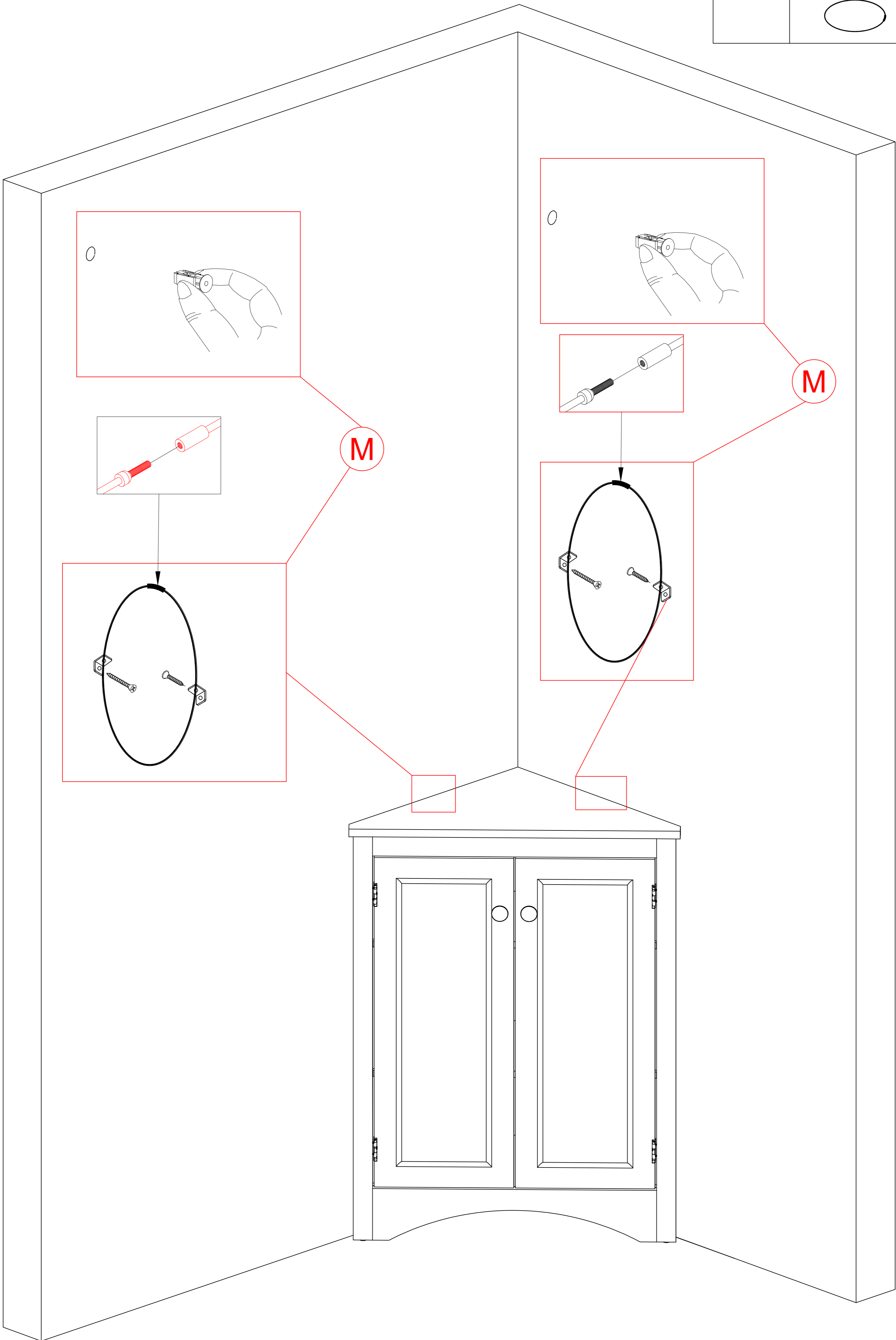
K	M4*15MM	 2 SETS
---	---------	---

STEP 15

M



2SETS



M

M