


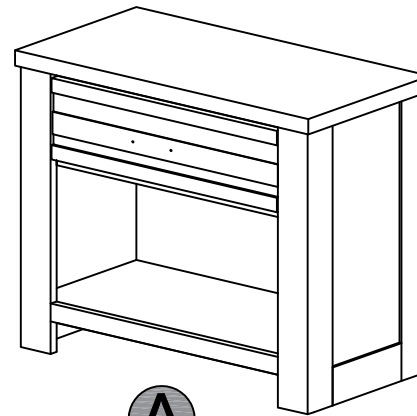


PARTS LIST / LISTE DES PIÈCES / LISTA DE PIEZA

ITEM / NO D'ARTICLE / ARTICULO NO.: 210 - S076 - 050

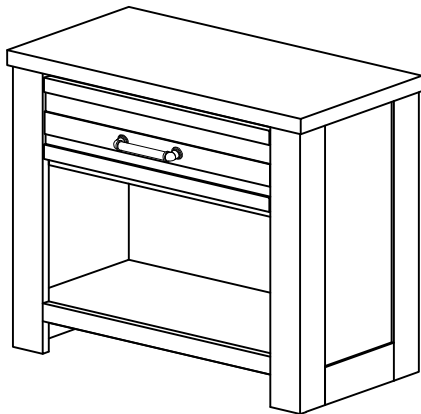
DESCRIPTION / DESCRIPCION : NIGHTSTAND / TABLE DE CHEVET / MESA DE NOCHE

▲ WARNING	
	<p>Serious or fatal crushing injuries can occur from furniture tip-over. To help prevent tip-over:</p> <ul style="list-style-type: none">● Install tipover restraint provided.● Place heaviest items in the lowest drawers.● Do not set TV's or other heavy objects on top of this product, unless the product is specifically designed to accommodate them.● Never allow children to climb or hang on drawers, doors, or shelves.● Never open more than one drawer at a time. <p>(OR)</p> <ul style="list-style-type: none">● Do not defeat or remove the drawer interlock system. <p>Use of tip-over restraints may only reduce, but not eliminate, the risk of tip-over.</p> <p><i>This is a permanent label. Do not remove!</i></p>

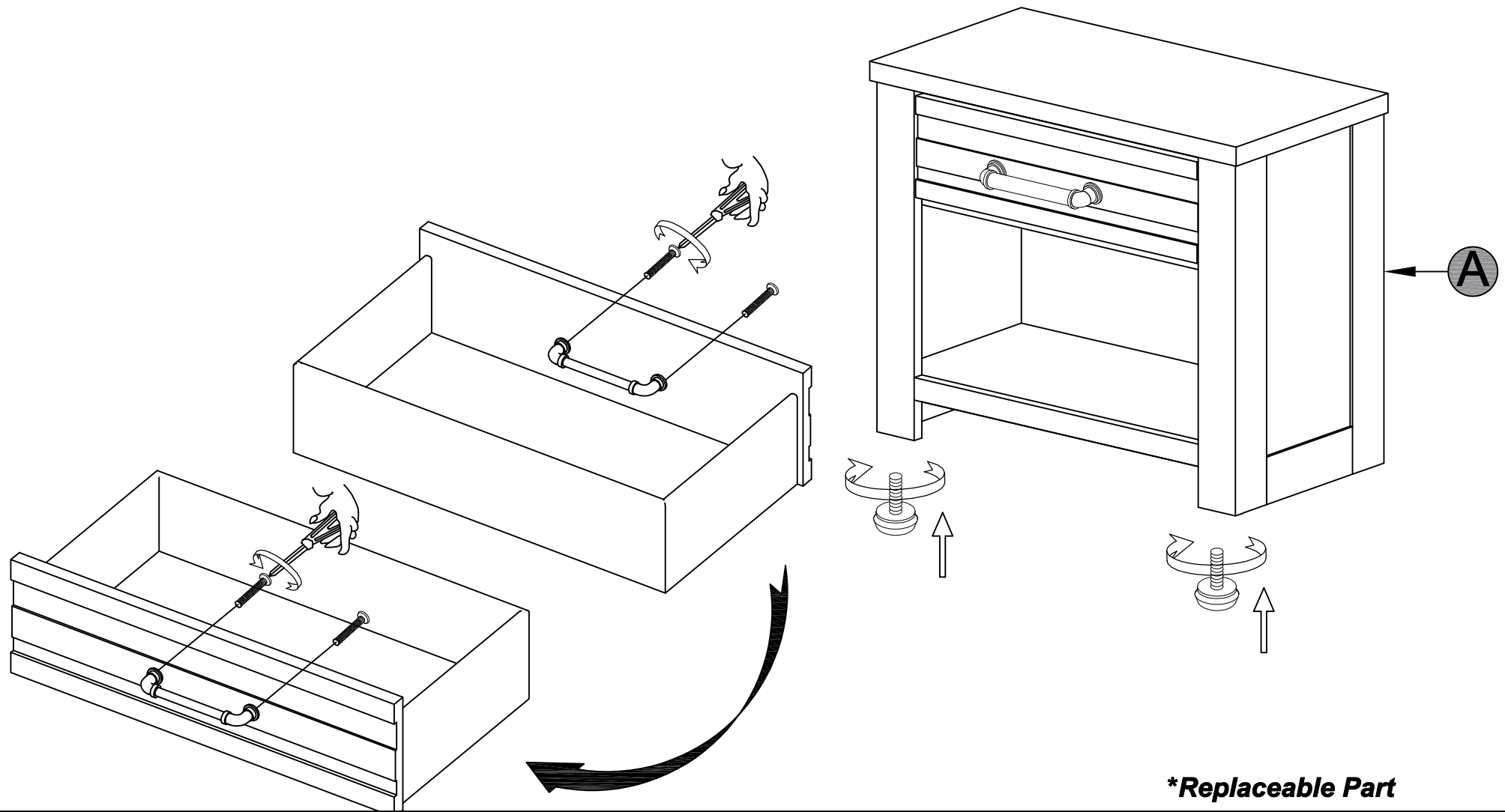


A

- x1 NightStand
- x1 Table De Chevet
- x1 Mesa De Noche



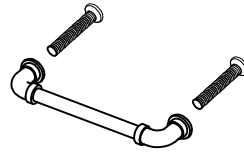
***Replaceable Part**





REPLACEABLE PART/ PARTIE REMPLACABLE/ PARTE REEMPLAZABLE
 ITEM / NO D'ARTICLE / ARTICULO NO.: 210 - S076 - 050
 DESCRIPTION / DESCRIPCION : NIGHTSTAND / TABLE DE CHEVET / MESA DE NOCHE

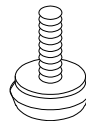
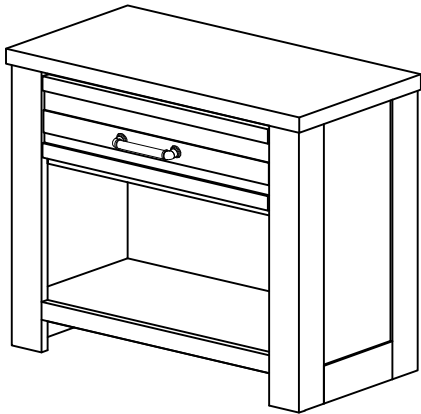
▲ WARNING	
	<p>Serious or fatal crushing injuries can occur from furniture tip-over. To help prevent tip-over:</p> <ul style="list-style-type: none"> ● Install tipover restraint provided. ● Place heaviest items in the lowest drawers. ● Do not set TV's or other heavy objects on top of this product, unless the product is specifically designed to accommodate them. ● Never allow children to climb or hang on drawers, doors, or shelves. ● Never open more than one drawer at a time. <p>(OR)</p> <ul style="list-style-type: none"> ● Do not defeat or remove the drawer interlock system. <p>Use of tip-over restraints may only reduce, but not eliminate, the risk of tip-over.</p> <p><i>This is a permanent label. Do not remove!</i></p>



x1 RCS076-PULL -Common Pull with Screw *
 Tirer +vis
 Tire+tornillo



x1 COMGLIDE-12-45 -Drawer Glide *
 Tiroir Glide
 Deslizamiento del cajón



x2 RC-FG-BLACK -Black Level *
 Patin ré glable
 Nivelador



x2 RC-BR-NAIL -plastic nail *
 clou en plastique
 clavo de plástico

***Replaceable Part**