

Tools and Materials Required

- Hand or electric drill(cordless preferred)
- Adjustable wrenches
- Slotted and Phillips screwdrivers
- Utility knife or scissors
- Safety glasses
- Drill bits: 1"(for faucet hole), 3/8"(for drain tubing)
- Safety mask



NOTICE

Not all tools may be necessary for installation. Read installation procedures before starting to determine what tools are required.

3 Installation

3.1 Installation Instructions

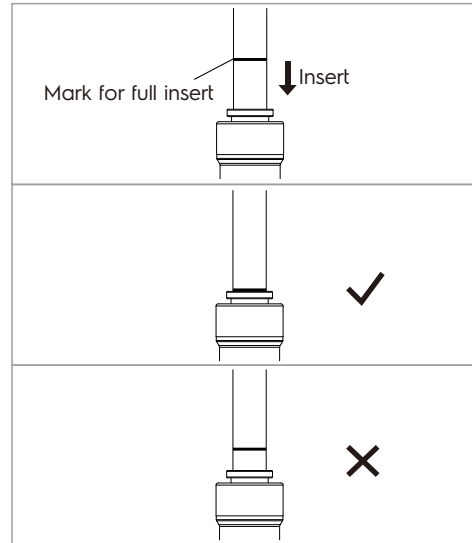
Read all installation and operating instructions before installing and using your RO system.



NOTICE

- Please check if there is sufficient space for installing the system itself, its accessories, connection.
- Under no circumstances should the system be installed outdoors.
- The environment where the system is installed should adhere to appropriate hygiene and sanitation conditions. Avoid any external dripping liquids from pipes or drains, etc, onto the system.
- This system should be placed on a stable and at the surface.
- Keep the system away from heat. It shall not be placed in a place that may have in-flammable gas leakage.

How to use the quick-connector fitting To connect



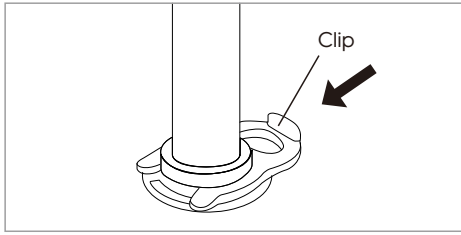
- There is an existing mark at the end of the PE tubing for you to confirm if the PE tubing is fully inserted into the fitting.
- Push the PE tubing into the fitting until you reach the mark on the tubing.



NOTICE

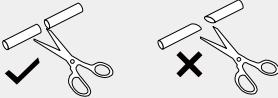
If the PE tubing is not fully inserted, no seal will be created, and leakage will occur.

- When the PE tubing is fully inserted, put the clip on the fitting. It will lock the PE tubing in place and prevent it from falling off.



NOTICE

If the PE tubing is too long, cut it to a suitable length with a sharp utility knife or scissors. Cut the PE tubing squarely and cleanly. Make sure the PE tubing is fully inserted.



3.2 Selecting The Faucet Location

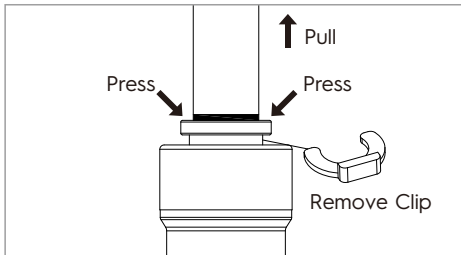
Most sinks have pre-drilled holes designed for spray hoses. The RO faucet may be through using one of these holes despite their larger size. If these pre-drilled holes cannot be used or are in an inconvenient location, it will be necessary to drill a 1" hole in the sink or through the countertop next to the sink.



CAUTION

- This procedure may generate dust, which can cause severe irritation if inhaled or come in contact with the eyes. Safety glasses and a safety mask are recommended for this procedure.
- Do not attempt to drill through an all-porcelain or porcelain-coated sink. For applications on these types of sinks, we recommend using the sprayer hole or drilling the hole through the countertop.
- When drilling through a countertop, make sure the area below the drilled area is free of wiring and piping. Make certain that you have ample room to make the proper connections to the bottom of the countertop.
- Do not drill through a countertop that is more than 1 inch thick.
- Do not attempt to drill through a tiled, marble, granite or similar countertop. Consult a plumber or the countertop manufacturer for advice or assistance.

To disconnect



- Remove the blue lock clip from the fitting;
- Use your thumb and index finger to press down the lock sleeve. Use your other hand to pull out the PE tubing from the fitting.

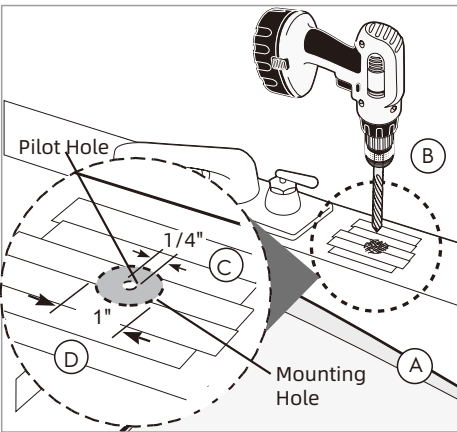


NOTICE

Please do not pull out the PE tubing directly. This will damage the fitting and cause leakage.

The following instructions apply to stainless steel sinks ONLY.

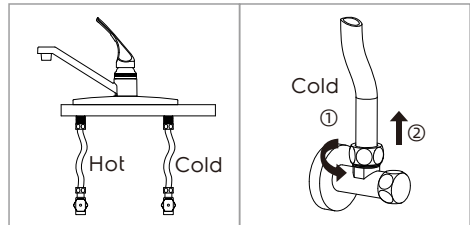
- (A) Line the bottom of the sink with newspaper to prevent shavings, parts or tools from falling down the drain.
- (B) Place masking tape over the area to be drilled to help prevent scratches if drill bit slips.
- (C) Mark the point with a center punch. Use a 1/4-inch drill bit to drill a pilot hole through the sink.
- (D) Use a 1" hole saw to enlarge the hole. Smooth rough edges with a file.



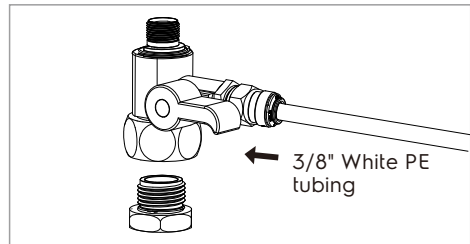
3.3 Install The Angle Stop Valve for The Feed Water

(Fits 1/2" - 14 NPS supply threads or 3/8" compression).

- (A) Turn off the cold water supply valve. Turn on the kitchen cold water faucet to release the pressure and allow water to drain from the line. Disconnect the cold water hose from the cold water valve.



- (B) Insert the 3/8" white PE tubing into the angle stop adapter's fitting. Secure the tubing with a 3/8" clip.

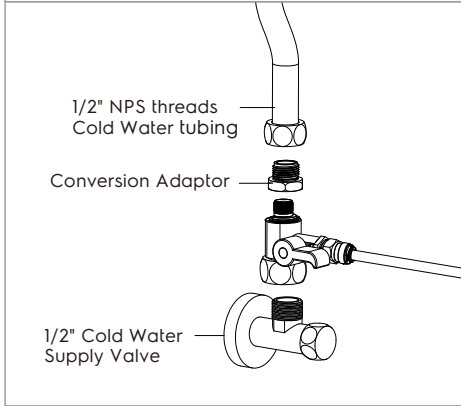
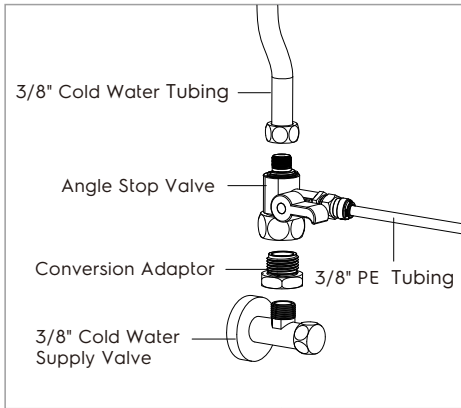


- (C) Install the Angle Stop Valve on the cold water valve and tighten it with an adjustable wrench. Please don't miss the gasket inside the angle stop adapter during installation.

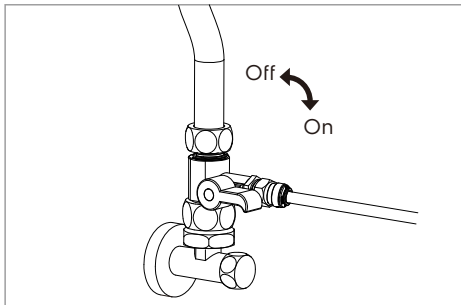


NOTICE

If the cold water tubing is 1/2", screw the conversion adaptor upper the Angle Stop Valve.



(D) Switch off the angle stop adapter. Turn on the cold water supply valve. Wipe the connections with a tissue to check for leakage. If the tissue stays dry, the angle stop valve is installed correctly.



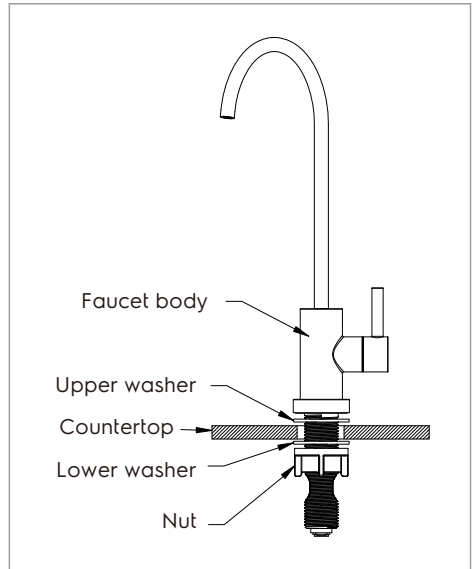
3.4 Install The Faucet



NOTICE

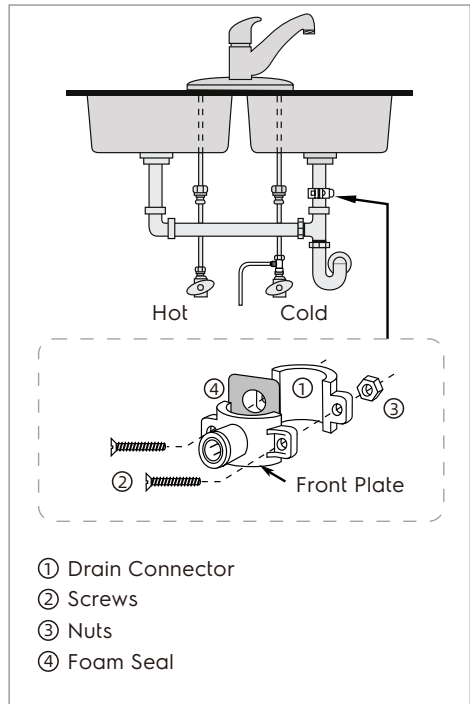
If your kitchen sink or countertop does not have an existing hole, you will have to drill one (1"). Refer to chapter 3.2.

1. Insert the faucet into the hole on the countertop. (As shown in the image below)
2. Under the sink, slip on the nut and tighten it up (Do not forget the washer).



3.5 Install RO Drain Connector

1. Identify drain outlet location.
2. Knock out the center hole on the foam seal (④).
3. Use the hole in the foam seal (④) as a template to locate your drilling position above the drain tap. Mark the location with a pencil. Note: If you have a double sink and cross- or horizontal drain tubing, it is safe to mark the drill location on the top of the horizontal drain tubing.
4. At the marked location, drill a 3/8" hole through the wall of the drain tubing, being sure not to penetrate the opposite side of the tubing.
5. Remove the protective cover from the back of the foam seal (④) and attach it to the front plate of the drain connector (①) in alignment with the holes.
6. Begin to position the drain connector (①) on the sink drain tubing with Screws (②) and Nuts (③), using your pencil (or a thin pen) in the drain connector (①) tube hole to guide your location over your drilled hole as you securely tighten Nuts (③) and Screws (②).



- ① Drain Connector
- ② Screws
- ③ Nuts
- ④ Foam Seal



NOTICE

Remove the pencil once the location is established.

3.6 Connecting The System

1. Before connecting the PE tubing to the system, ensure you have removed the plug from the water port.
2. Connecting the tubing to the System
 - a. Connect the 3/8" white tubing between the angle stop valve and the "Raw Water" port.
 - b. Insert one end of the 3/8" blue tubing into the quick connector. Then, connect the 3/8" blue tubing between the Faucet and the "Pure Water" port.
 - c. Connect the 3/8" red tubing between the Drain connector and the "Drain Water" port.
3. Insert the faucet power cord which is connected to the faucet into the "FAUCET" connector at the back of the housing and tighten the nut.



NOTICE

DO NOT insert the plug into the socket yet.

