

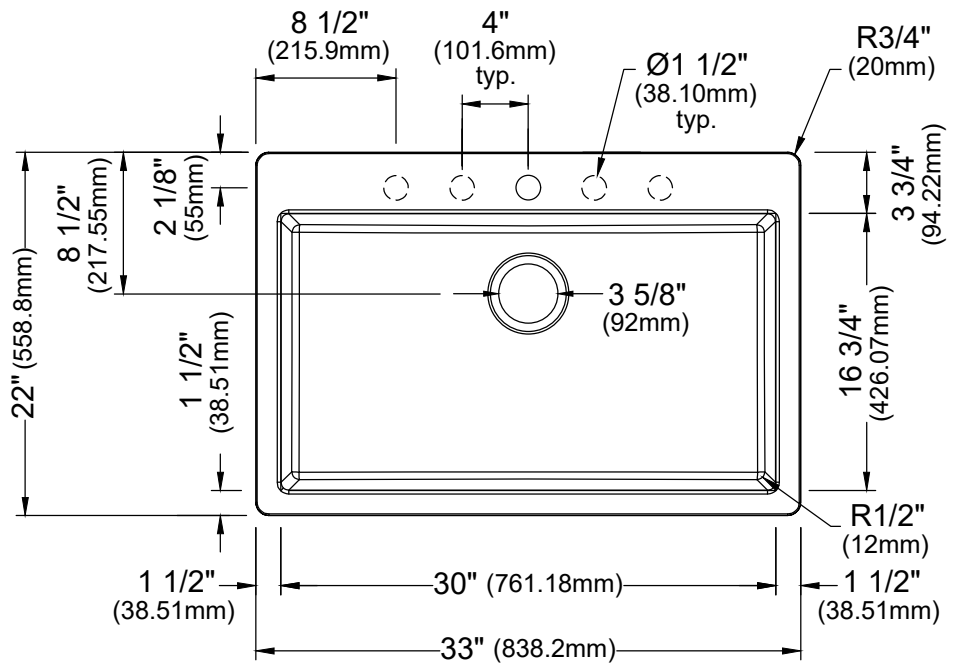
| | |
|----------------------|---|
| Series | Quartz QT Series |
| Material | 80% quartz / 20% acrylic resin |
| Installation Type | Top mount / Drop-in |
| Configuration | Large single bowl |
| Finish | Matte finish |
| Overall Dimensions | 33" x 22" |
| Bowl Dimensions | 30" x 16 3/4" x 9" |
| Drain Size | 3 5/8" |
| Colors Available | Bisque, Concrete, White, Black, Grey, Brown |
| Minimum cabinet size | 33" |
| Template Included | Yes |
| Clips Included | Yes |
| Heat Safe | Up to 535°F |
| Resistant to | Stain, scratch, abrasion, impact |
| Drain Location | Rear |

Shown in Grey



| MODEL | FINISH |
|-----------|----------|
| QT-812-GR | Grey |
| QT-812-BL | Black |
| QT-812-WH | White |
| QT-812-BR | Brown |
| QT-812-BI | Bisque |
| QT-812-CN | Concrete |

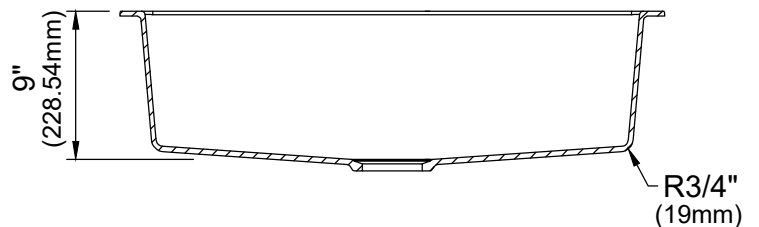
Stocked Color Options



Listing and certifications:
cUPC

Limited lifetime warranty

- = pre-drilled faucet / drain hole
- ⊖ = semi-drilled knock-out location(s)



We reserve the right to update product specifications without notice. Please visit karran.com for the most current specification sheets. All dimensions are accurate to 1/4". REV 08-2024