

## Purist® | K-T14489-4

MasterShower® temperature and volume control valve trim

### Features

- Includes faceplate with handles
- Top handle controls volume
- Bottom handle controls temperature setting
- Supplied with ADA-compliant metal lever handles
- Complements Purist faucets and accessories



### Available Colors/Finishes

*Color tiles intended for reference only.*

- CP Polished Chrome
- SN Vibrant Polished Nickel
- AF Vibrant French Gold
- BN Vibrant Brushed Nickel
- BV Vibrant Brushed Bronze
- BL Matte Black
- 2MB Vibrant Brushed Moderne Brass
- TT Vibrant Titanium
- BGP Vibrant Brushed Graphite



---

## Codes/Standards

ADA, OBC, CSA B651 compliant when installed to the specific requirements of these regulations.

ADA    CSA B651    OBC

ASME A112.18.1/CSA B125.1

ADA

ICC/ANSI A117.1

CSA B651

OBC

---

## Technical Information

All product dimensions are nominal.

### Handle

Handle Style/ Type:                      Lever

---

## Valves

Required Valves:                      Thermostatic, Volume Control

---

## Material

- Premium material construction with metal handle ensures reliability and durability
  - KOHLER finishes resist corrosion and tarnishing
- 

## Recommended Products/Accessories

K-23723 Faucet cleaner

---

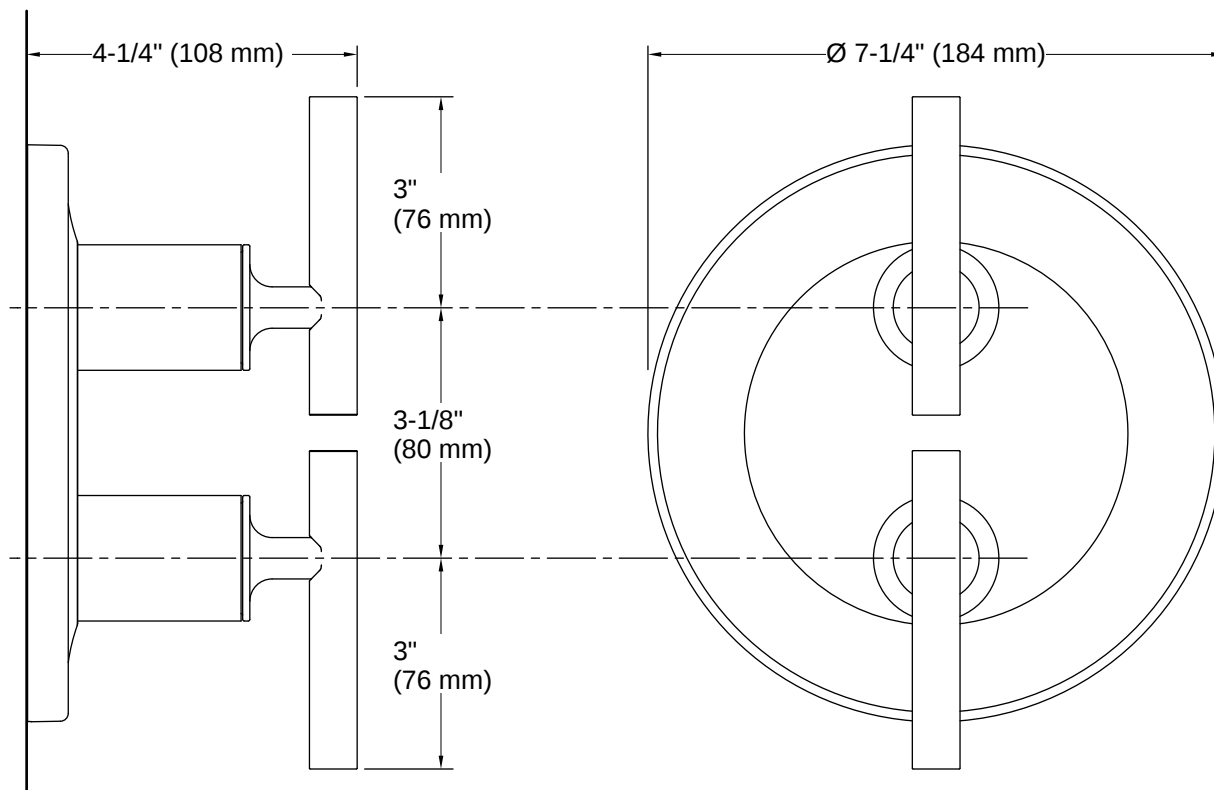
## Warranty

See website for detailed warranty information.

KOHLER® Faucet Lifetime Limited Warranty



1-800-4KOHLER (1-800-456-4537)  
Kohler Co. reserves the right to make revisions without notice to product specifications.  
For the most current specification sheet, go to [www.kohler.com](http://www.kohler.com) USA or [www.kohler.ca](http://www.kohler.ca) Canada.  
3-27-2026 18:13 - US-CA



## Installation

- Trim only; requires valve to complete installation (sold separately)

## Installation Notes

*Install this product according to the installation instructions.*

ADA, OBC, CSA B651 compliant when installed to the specific requirements of these regulations.

