

# Style™ SELECTIONS

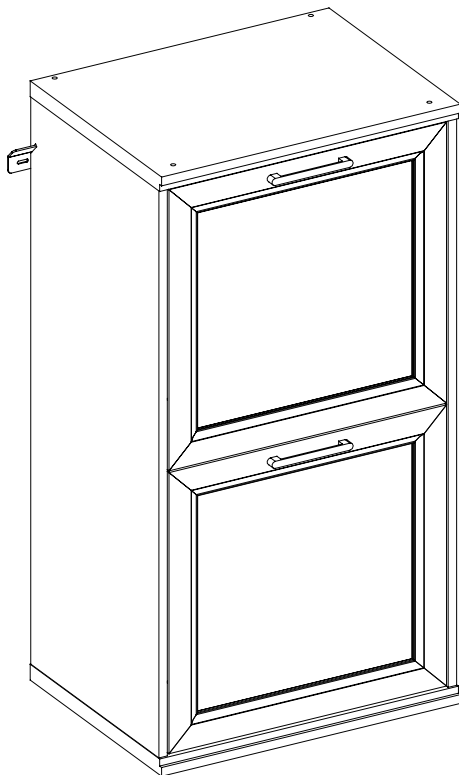
STYLE SELECTIONS and logo design are trademarks or registered trademarks of LF, LLC. All rights reserved.

ITEM #7134495  
MODEL #LOWECABWH-05

## 21-IN CLOSED SHOE CABINET

Español p. 23

ATTACH YOUR RECEIPT HERE



Serial Number \_\_\_\_\_

Purchase Date \_\_\_\_\_

Thank you for purchasing this **STYLE SELECTIONS** product.  
Questions, problems or missing parts?  
Before returning, contact us on:  
**877-888-8225**, 8 a.m. - 8 p.m., EST, Monday - Sunday or [ascs@lowes.com](mailto:ascs@lowes.com).

DF25442

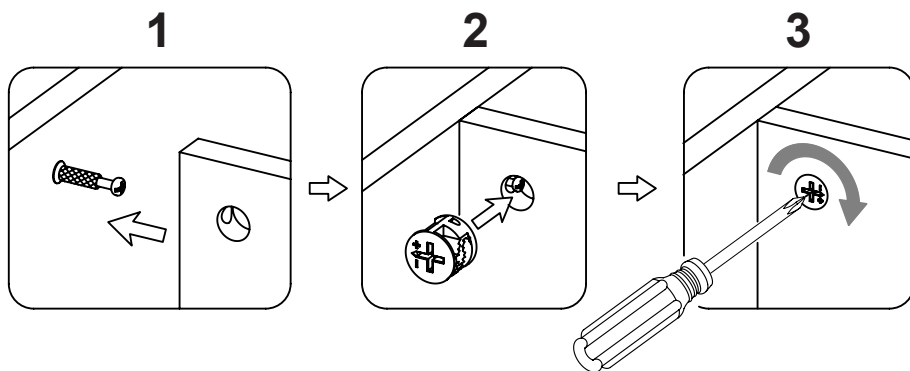
## TABLE OF CONTENTS

---

Cam Lock System Operation.....	2
Package Contents.....	3
Hardware Contents.....	4
Safety Information.....	5
Preparation.....	5
Assembly Instructions.....	6
Care and Maintenance .....	20
Limited Lifetime Warranty.....	20
Replacement Parts List.....	20

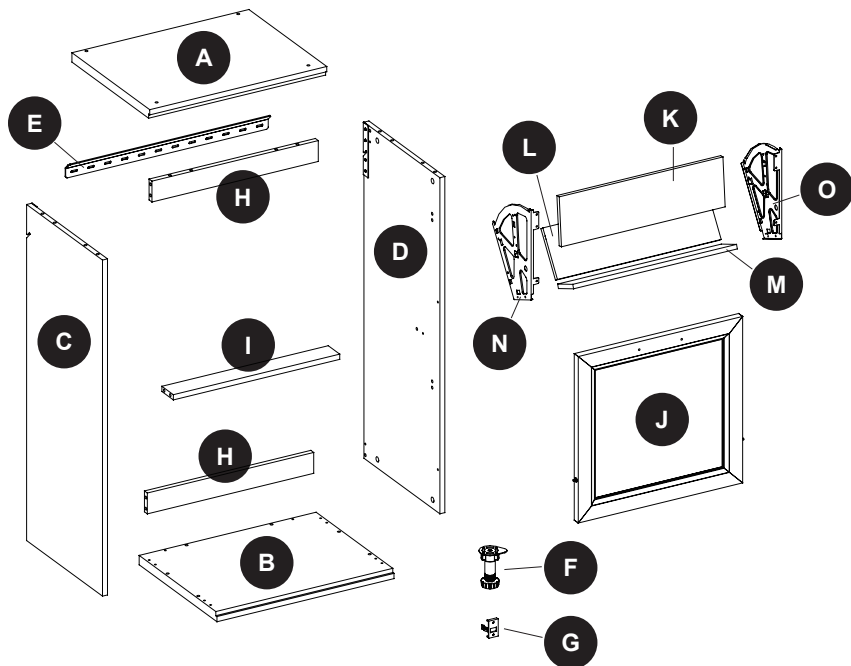
## CAM LOCK SYSTEM OPERATION

---



1. Screw cam bolts into the predrilled small holes on panel.
2. Insert cam lock into predrilled large hole on panel.
3. Make sure the arrow on the cam lock is pointed toward the cam bolts.
4. Connect both panels together, making sure cam bolts goes into predrilled hole on the end of panel with cam lock.
5. Once cam bolts is connected inside cam lock, take Phillips screwdriver and tighten cam lock clockwise.

## PACKAGE CONTENTS



PART	DESCRIPTION	QUANTITY
A	Top panel	1
B	Bottom panel	1
C	Side panel left	1
D	Side panel right	1
E	Metal bracket	1
F	Adjustable feet	2
G	Clasp	2
H	Back stretcher	2

PART	DESCRIPTION	QUANTITY
I	Front stretcher	1
J	Drawer front	2
K	Flip large panel	2
L	Flip medium panel	2
M	Flip small panel	2
N	Flip bracket left	2
O	Flip bracket right	2

**HARDWARE CONTENTS** (not shown actual size)

---

**AA**



Cam lock

Qty. 18

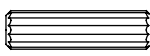
**BB**



Cam bolt

Qty. 18

**CC**



Wood dowel

Qty. 18

**DD**



M5 x 55 mm Screw

Qty. 3

**EE**



M3.5 x 12 mm  
Screw  
Qty. 24

**FF**



Cap

Qty. 4

**GG**



Pivot

Qty. 4

**HH**



M4 x 25 mm  
Screw  
Qty. 24

**II**



5/32 in. x 25 mm  
Bolt  
Qty. 4

**JJ**



Handle

Qty. 2

**KK**



1/4 in. x 10 mm  
Bolt  
Qty. 8

**LL**



PVC cover

Qty. 8

**MM**



Drywall anchor

Qty. 1

**NN**



1/4 in. x 38 mm  
Bolt  
Qty. 4

**OO**



Hex wrench

Qty. 1

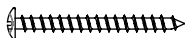
**PP**



L-bracket

Qty. 4

**QQ**



M4 x 50 mm Screw

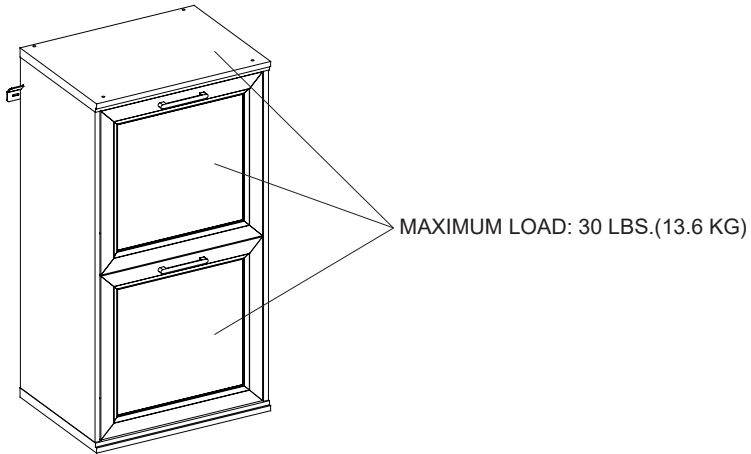
Qty. 4

## **⚠ SAFETY INFORMATION**

---

Please read and understand this entire manual before attempting to assemble, operate or install the product.

- Do not allow children to climb or play in or around this product.
- Use this unit for its intended purpose only. Do not use shelves as step ladder.
- To avoid damage, assemble the product on a sturdy, level and protective surface.
- Make sure all bolts/screws are tightly fastened before the unit is used.
- Check bolts/screws periodically and tighten them if necessary.



## **⚠ WARNING**

**UNIT IS INTENDED FOR USE ONLY WITH MAXIMUM WEIGHTS INDICATED. OVERLOADING STORAGE UNIT WITH PRODUCTS HEAVIER THAN MAXIMUM WEIGHT MAY RESULT IN INJURY. DISTRIBUTE ANY WEIGHT IN UNITS EVENLY.**

## **PREPARATION**

---

Before beginning assembly of product, make sure all parts are present. Compare parts with package contents list and hardware contents list. If any part is missing or damaged, do not attempt to assemble the product.

**Estimated Assembly Time: 50 minutes**

Tools Required for Assembly (not included): Phillips Screwdriver, Power Drill, 5/16 in. Drill Bit, 3/32 in. Drill Bit, Level, Stud Finder, Marking Pencil, Tape Measure, Step Ladder, and Rubber Mallet




## ASSEMBLY INSTRUCTIONS

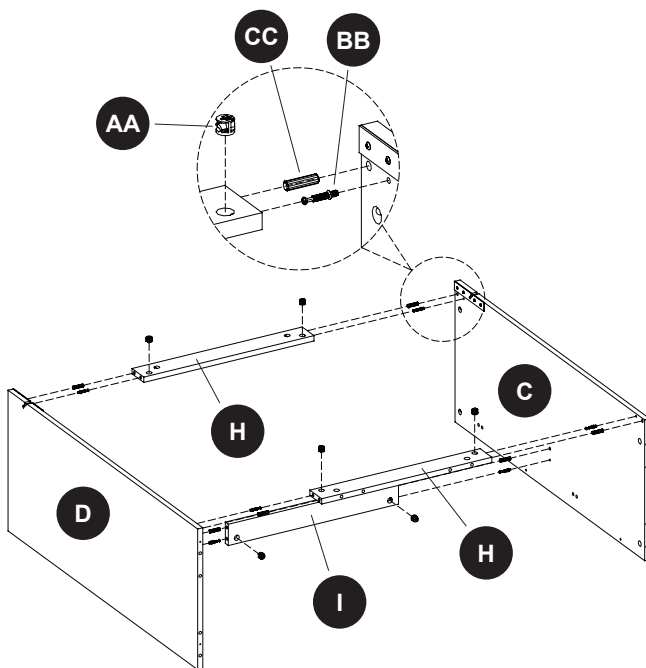
---

- 1a. Screw cam bolts (BB) all the way into the small holes located on side panel left (C) and side panel right (D) as shown figure.
- 1b. Insert the wood dowels (CC) into the end holes as a guide, attach back stretcher (H) and front stretcher (I) to the side panel left (C) and side panel right (D) by engaging cam locks (AA).

### Hardware Used

---

<b>AA</b> Cam lock		x 6
<b>BB</b> Cam bolt		x 6
<b>CC</b> Wood dowel		x 6






## ASSEMBLY INSTRUCTIONS

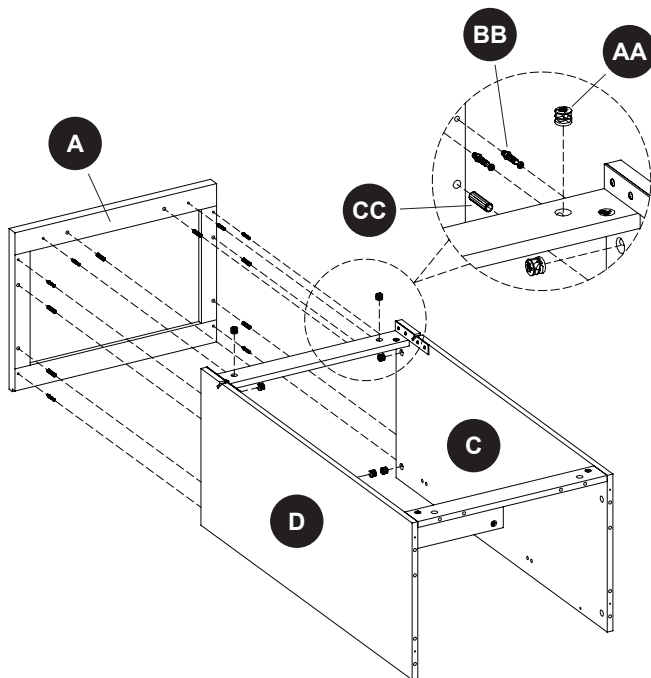
---

- 2a. Screw cam bolts (BB) all the way into the small holes located on top panel (A).
- 2b. Insert the wood dowels (CC) into the holes pre-drilled on top edge of assembled frame.
- 2c. Position the top panel (A) onto the inserted dowels and attach in place by engaging cam locks (AA) as shown figure.

### Hardware Used

---

<b>AA</b>	Cam lock		x 6
<b>BB</b>	Cam bolt		x 6
<b>CC</b>	Wood dowel		x 6






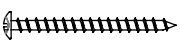
## ASSEMBLY INSTRUCTIONS

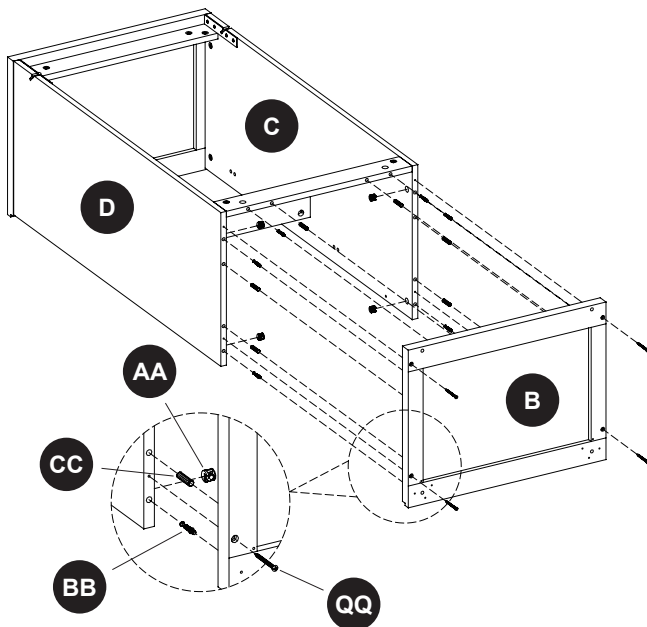
---

- 3a. Screw cam bolts (BB) all the way into the small holes located on bottom panel (B).
- 3b. Insert the wood dowels (CC) into the holes pre-drilled on bottom edge of assembled frame.
- 3c. Position the bottom panel (B) onto the inserted dowels and attach it in place using cam locks (AA) and M4 x 50 mm screws (QQ) as shown figure.

### Hardware Used

---

<b>AA</b> Cam lock		x 6
<b>BB</b> Cam bolt		x 6
<b>CC</b> Wood dowel		x 6
<b>QQ</b> M4 x 50 mm Screw		x 4



## ASSEMBLY INSTRUCTIONS

---

4. Insert the caps (FF) into the holes on top of the top panel (A).

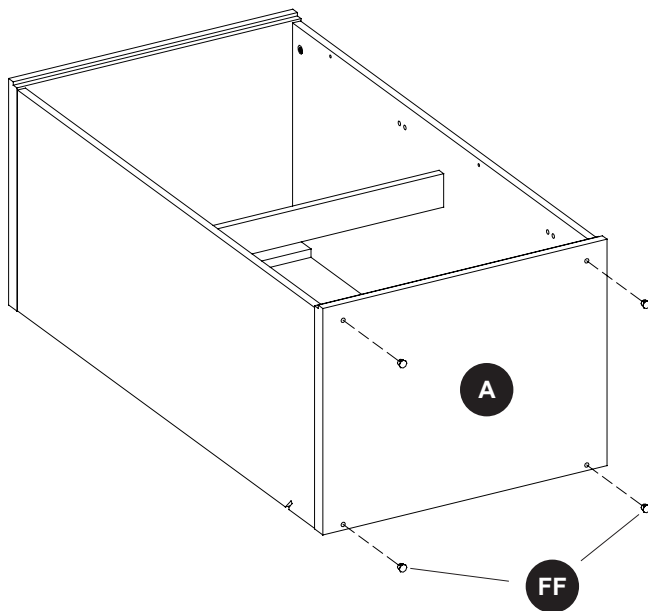
### Hardware Used

---

**FF** Cap



x 4



## ASSEMBLY INSTRUCTIONS

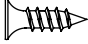
---

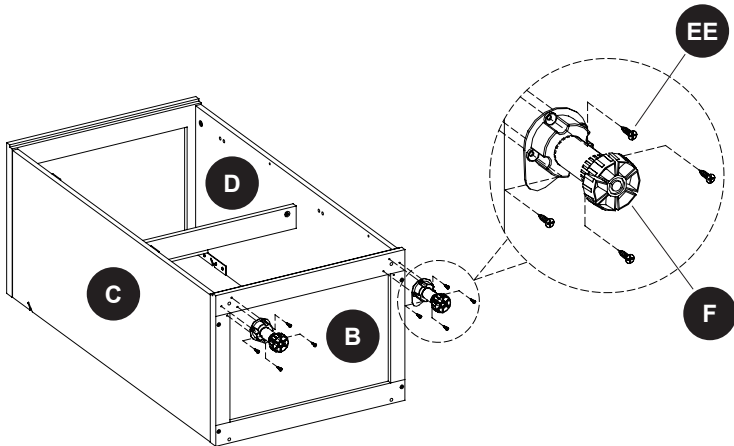
5. Attach adjustable feet (F) to bottom panel (B) using M3.5 x 12 mm screws (EE).

**Note:** The adjustable feet (F) are optional, you don't need to install them if you don't want to.

### Hardware Used

---

**EE** M3.5 x 12 mm  
Screw  x 8



## ASSEMBLY INSTRUCTIONS

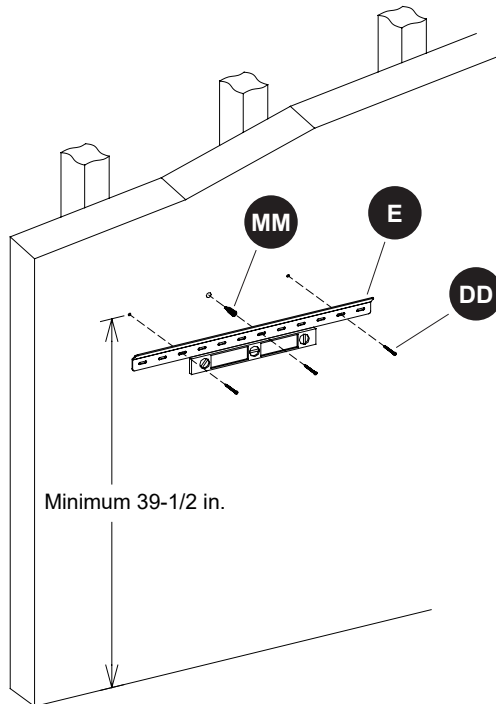
---

- 6a. Using a stud finder, locate the edges of the wood studs. Find the center line of each stud and draw a vertical reference line on the wall over each one.
- 6b. Using metal bracket (E) as a template, mark three holes to indicate where holes will be drilled.  
**NOTE:** The markings should be no less than 39-1/2 in. from the floor. At least two of the three markings should be located on the wooden studs.
- 6c. Drill three pilot holes into the wall where previously marked.  
**NOTE:** Drill 3/32 in. pilot holes for the markings on the wooden studs, and 5/16 in. pilot holes for other markings.
- 6d. Press the drywall anchor (MM) into the 5/16 in. holes and screw it by using the phillips screwdriver until flush in the holes.
- 6e. Attach metal bracket (E) to the wall using the M5 x 55 mm screws (DD).

### Hardware Used

---

- DD** M5 x 55 mm Screw x 3
- MM** Drywall anchor x 1




## ASSEMBLY INSTRUCTIONS

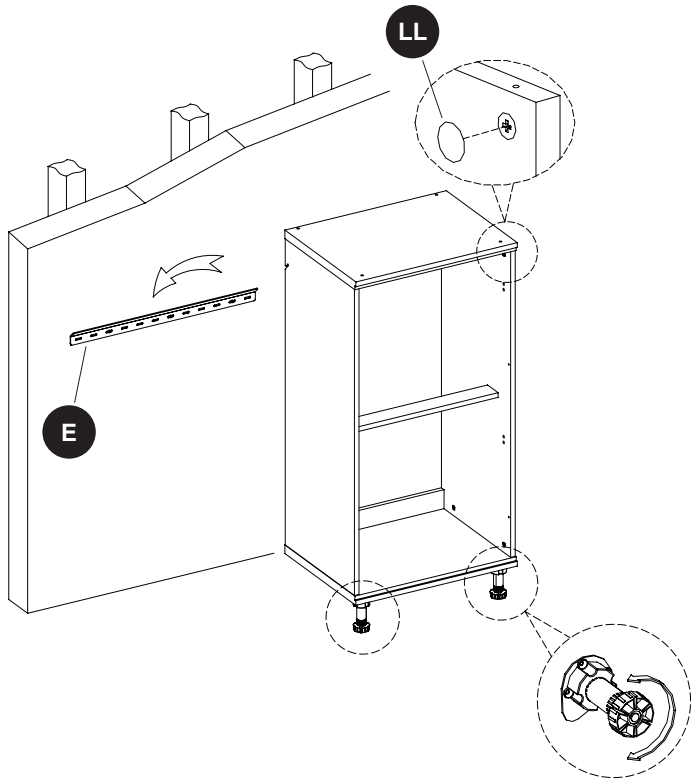
---

- 7a. With the help of another person, carefully hang the unit onto metal bracket (E).
- 7b. Affix the pvc covers (LL) onto the visible cam locks to conceal the cams.
- 7c. Adjust the feet (F) to the height that fits your preference or floor level.

### Hardware Used

---

**LL** PVC Cover            x 8



## ASSEMBLY INSTRUCTIONS

---

- 8a. Insert the pivot (GG) into both sides of the drawer fronts (J).
- 8b. Attach a handle (JJ) to the front side of drawer front (J) using the 5/32 in. x 25 mm bolts (II) provided.

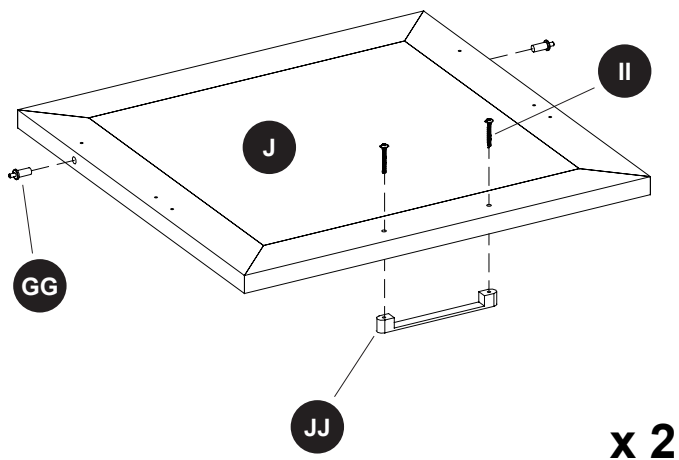
### Hardware Used

---

**II** 5/32 in. x 25 mm Bolt x 4

**JJ** Handle x 2

**GG** Pivot x 4



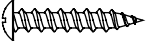
## ASSEMBLY INSTRUCTIONS

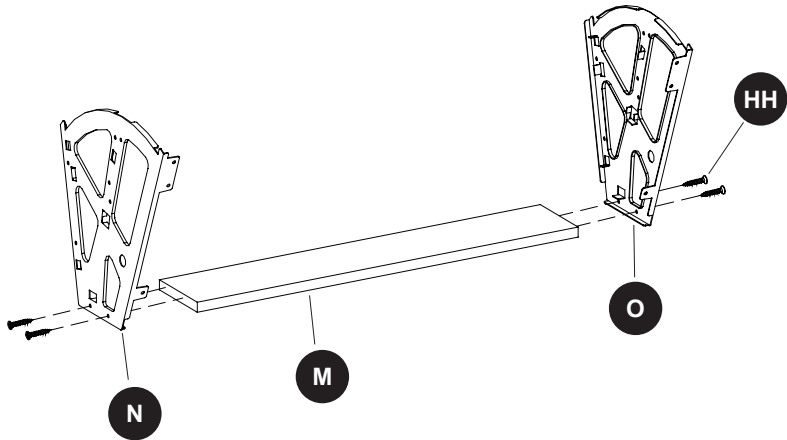
---

9. Attach the flip brackets left (N) and flip brackets right (O) to flip small panels (M) using M4 x 25 mm screws (HH).

### Hardware Used

---

**HH** M4 x 25 mm  
Screw  x 8



**x 2**

## ASSEMBLY INSTRUCTIONS

---

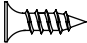
10a. Attach the assembled flip bracket to the drawer front (J) using M3.5 x 12 mm screws (EE).

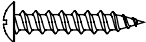
10b. Attach the flip medium panels (L) and the flip large panels (K) into the assembled flip set using M4 x 25 mm screws (HH).

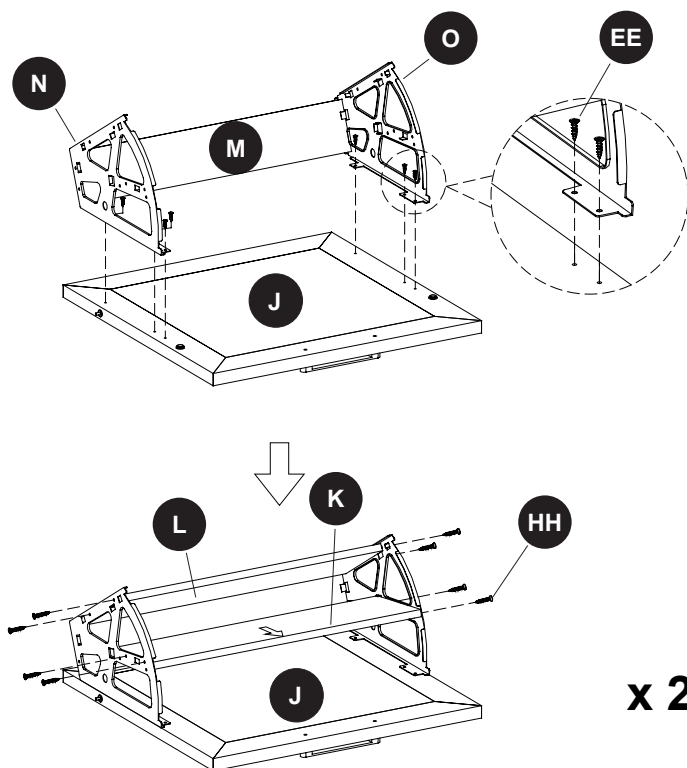
**Note:** Install one side firstly then complete in another side.

### Hardware Used

---

**EE** M3.5 x 12 mm  
Screw  x 12

**HH** M4 x 25 mm  
Screw  x 16





## ASSEMBLY INSTRUCTIONS

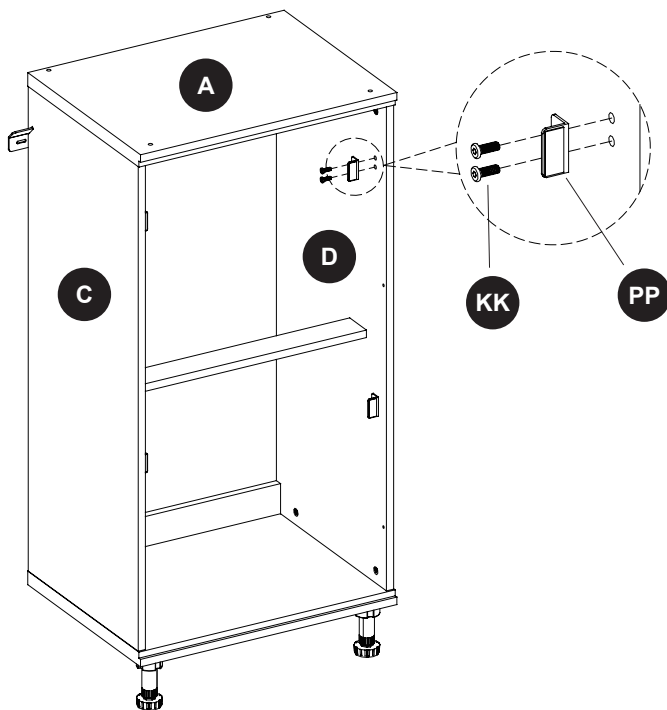
---

11. Attach the L-brackets (PP) to the side panel left (C) and side panel right (D) using the 1/4 in. x 10 mm bolts (KK).

### Hardware Used

---

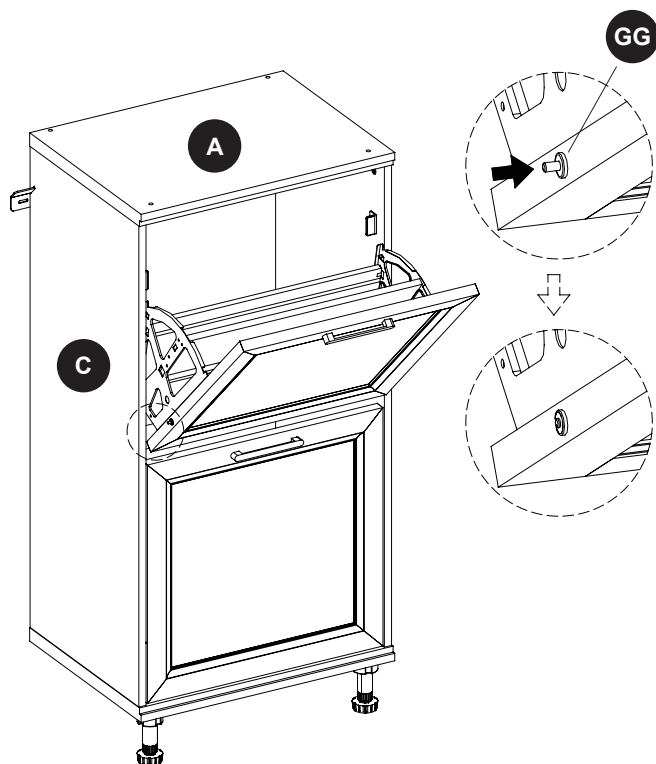
<b>KK</b>	1/4 in. x 10 mm Bolt		x 8
<b>PP</b>	L-bracket		x 4



## ASSEMBLY INSTRUCTIONS

---

12. Press the positioning latch on the pivots (GG) on both sides of the drawer fronts (J), then install the flip-down drawer into the assembled frame as shown.



## ASSEMBLY INSTRUCTIONS

---

13a. Attach clasps (G) to Toe kick (sold separately), using M3.5 x 12 mm screws (EE).

13b. Attach the assembled Toe kick to the adjustable feet (F) by pressing the clasps (G) into place.

### Hardware Used

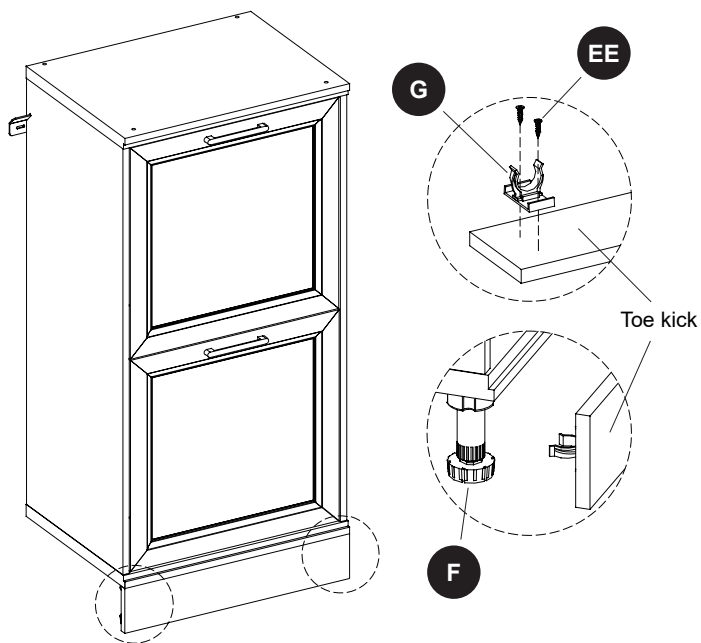
---

EE

M3.5 x 12 mm  
Screw



x 4



## ASSEMBLY INSTRUCTIONS

---

14. This cabinet was designed with a feature that allows stacking two units. Additional units are sold separately. Attach top panel of one unit to bottom panel of the other using the 1/4 in. x 38 mm bolts (NN). Tighten with hex wrench (OO). Then, hang the connected set onto metal brackets.

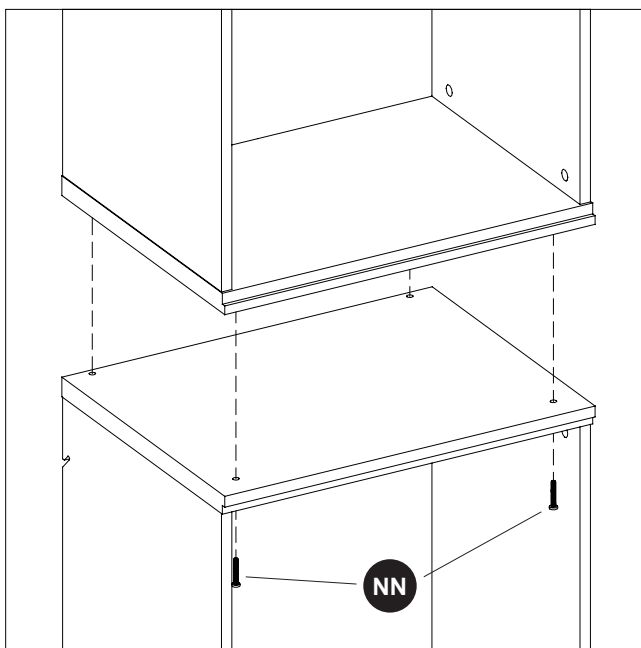
### Hardware Used

---

**NN** 1/4 in. x 38 mm Bolt x 4



**OO** Hex wrench x 1



## CARE AND MAINTENANCE

---

- Periodically check to make certain all components are properly positioned, free from damage and firmly connected.
- Use a soft, clean cloth that will not scratch the surface when dusting.
- Never use water to clean the furniture as it may cause damage to the finish.
- Wipe clean using a damp cloth and a mild cleaner. Wipe dry with a clean cloth.
- In the event that the furniture is stained or otherwise damaged during use, it is recommended you call a professional to repair the furniture.
- Keep furniture away from direct sunlight as it may damage the finish.
- It is best to keep the furniture in a climate-controlled environment. Extreme temperature and humidity changes can cause fading, warping, shrinking and splitting of wood.

## LIMITED LIFETIME WARRANTY

---

This product is warranted to the original purchaser. If there is a failure in this unit due to defects in materials or workmanship, the manufacturer will repair or replace this item at our discretion without charge. Warranty is void if product has been assembled incorrectly, misused, abused by overloading, altered in any way or damaged due to accident. This warranty is not transferable and does not cover chipping, flaking, scratches, rust, dents, or other damages to the surfaces of this product. Responsibility of the manufacturer is limited to repair or replacement of this product. The manufacturer is not responsible for consequential, incidental, or other damages or losses resulting from product failure.

This warranty is in lieu of all other expressed warranties. Some states do not allow the exclusion or limitation of incidental or consequential damages, so the above limitation may not apply to you. This warranty gives you specific legal rights and you may have other rights which vary from state to state.

## REPLACEMENT PARTS LIST

---

For replacement parts, call our customer service department at **877-888-8225**, 8 a.m. - 8 p.m., EST, Monday - Sunday. You may also contact us at [ascs@lowes.com](mailto:ascs@lowes.com).

PART	DESCRIPTION	PART #	COVERED UNDER WARRANTY	QUANTITY
A	Top panel	00LOWECABWH-05-A	YES	1
B	Bottom panel	00LOWECABWH-05-B	YES	1
C	Side panel left	00LOWECABWH-05-C	YES	1
D	Side panel right	00LOWECABWH-05-D	YES	1
E	Metal bracket	00LOWECABWH-05-E	YES	1
F	Adjustable feet	04LOWEWH-AF	YES	2
G	Clasp	04LOWEWH-CL	YES	2
H	Back stretcher	00LOWECABWH-05-H	YES	2

## REPLACEMENT PARTS LIST

For replacement parts, call our customer service department at **877-888-8225**, 8 a.m. - 8 p.m., EST, Monday - Sunday. You may also contact us at [ascs@lowes.com](mailto:ascs@lowes.com).

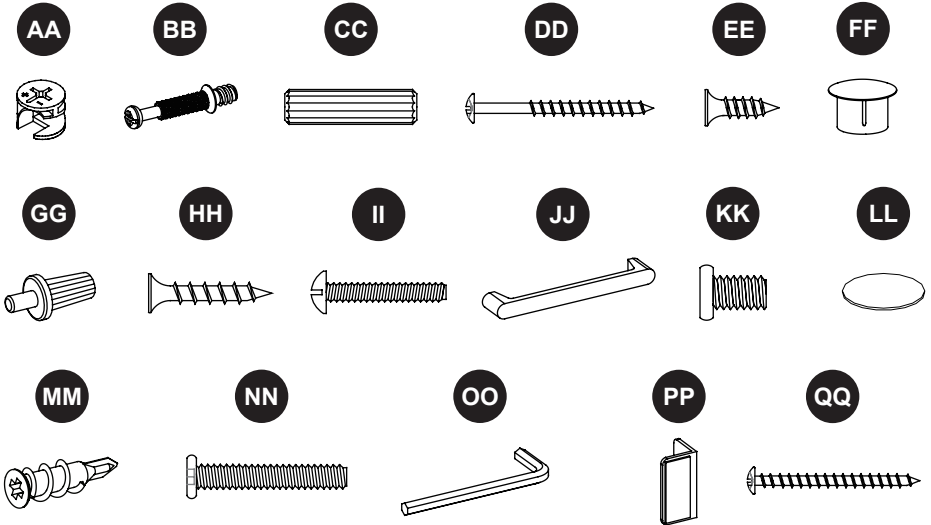
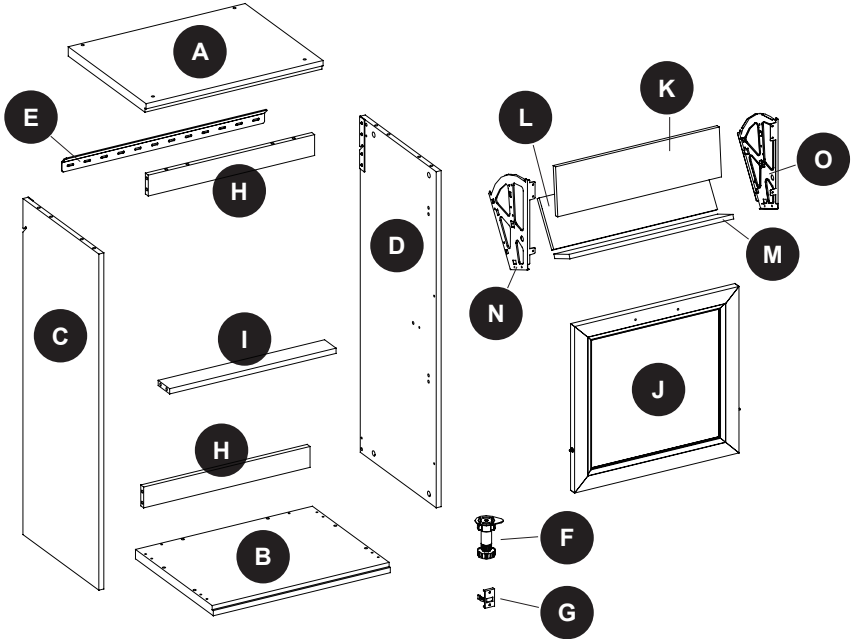
PART	DESCRIPTION	PART #	COVERED UNDER WARRANTY	QUANTITY
I	Front stretcher	00LOWECABWH-05-I	YES	1
J	Drawer front	00LOWECABWH-05-J	YES	2
K	Flip large panel	00LOWECABWH-05-K	YES	2
L	Flip medium panel	00LOWECABWH-05-L	YES	2
M	Flip small panel	00LOWECABWH-05-M	YES	2
N	Flip bracket left	00LOWECABWH-05-N	YES	2
O	Flip bracket right	00LOWECABWH-05-O	YES	2
CH	Complete hardware	00LOWECABWH-05-CH	YES	1

### The complete hardware pack contains below parts:

PART	DESCRIPTION	PART #	COVERED UNDER WARRANTY	QUANTITY
AA	Cam lock	06CLD15X12-ZN	YES	18
BB	Cam bolt	06CPSS32-ZN	YES	18
CC	Wood dowel	06WDLM8X30	YES	18
DD	M5 x 55 mm Screw	06SCPNDHM5X55-ZN	YES	3
EE	M3.5 x 12 mm Screw	06SCFLHDM3.5X12-BK	YES	24
FF	Cap	04LOWEWH-CA	YES	4
GG	Pivot	00LOWECABWH-05-GG	YES	4
HH	M4 x 25 mm Screw	06SCFLHDM4X25-ZN	YES	24
II	5/32 in. x 25 mm Bolt	06BLTHDPHI4X25-ZN	YES	4
JJ	Handle	04LOWEWH-H	YES	2
KK	1/4 in. x 10 mm Bolt	06BOLTFH1/4X10HXD-ZN	YES	8
LL	PVC cover	04LOWEWH-PC	YES	8
MM	Drywall anchor	06TSDWANANCHOR	YES	1
NN	1/4 in. x 38 mm Bolt	06BOLTFH1/4X38HXD-ZN	YES	4
OO	Hex wrench	06HEXWCHM4-ZN	YES	1
PP	L-bracket	00LOWECABWH-05-PP	YES	4
QQ	M4 x 50 mm Screw	06SCPNDHM4X50-ZN	YES	4

# REPLACEMENT PARTS LIST

For replacement parts, call our customer service department at **877-888-8225**, 8 a.m. - 8 p.m., EST, Monday - Sunday. You may also contact us at [ascs@lowes.com](mailto:ascs@lowes.com).



Printed in Vietnam

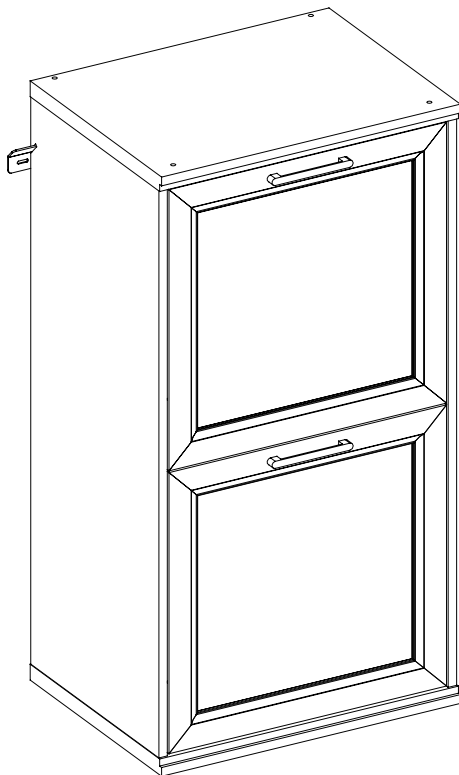
# Style™ SELECTIONS

STYLE SELECTIONS y el diseño del logotipo son marcas comerciales o marcas registradas de LF, LLC. Todos los derechos reservados.

ARTÍCULO #7134495  
MODELO #LOWECABWH-05

## GABINETE DE ZAPATOS CERRADO DE 53.34 CM

ADJUNTE SU RECIBO AQUÍ



Número de serie \_\_\_\_\_

Fecha de compra \_\_\_\_\_

Gracias por comprar este producto **STYLE SELECTIONS**.

¿Preguntas, problemas o piezas faltantes?

Antes de volver a la tienda, póngase en contacto al:

**877-888-8225**, de lunes a domingo, de 8 a.m. a 8 p.m., hora estándar del Este,  
o al correo electrónico [ascs@lowes.com](mailto:ascs@lowes.com).

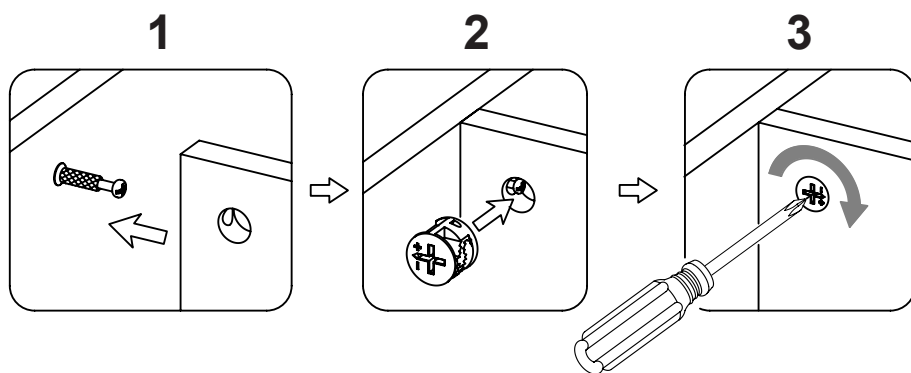
## ÍNDICE

---

Funcionamiento del sistema de cerrojo de leva.....	24
Contenido del paquete.....	25
Aditamentos.....	26
Información de seguridad.....	27
Preparación.....	27
Instrucciones de ensamblaje.....	28
Cuidado y mantenimiento.....	42
Un año de garantía limitada.....	42
Lista de piezas de repuesto.....	42

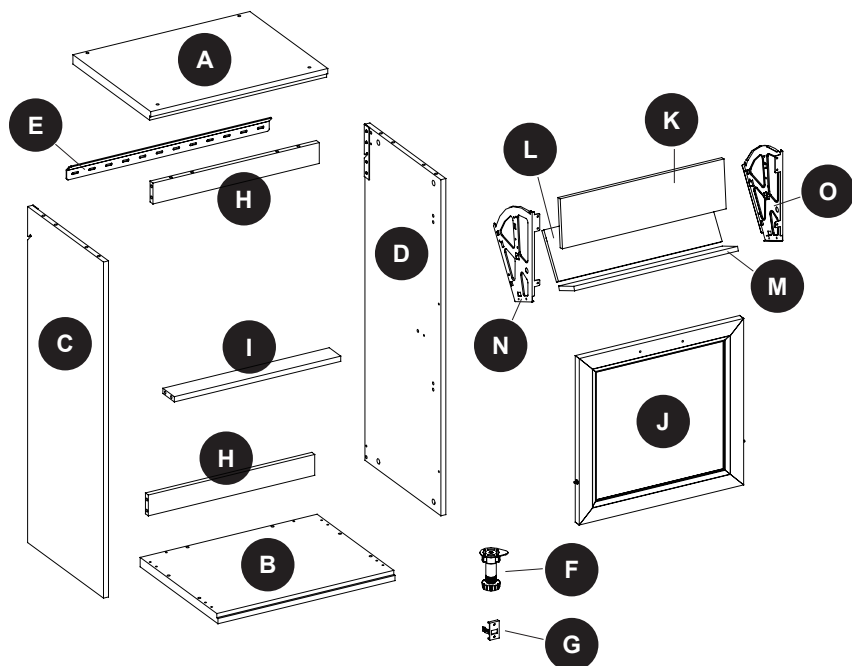
## FUNCIONAMIENTO DEL SISTEMA DE CERROJO DE LEVA

---



1. Atornille los pernos de leva a los orificios pequeños pretaladrados en el panel.
2. Introduzca el cerrojo de leva en el orificio pretaladrado grande en el panel.
3. Asegúrese de que la flecha en el cerrojo de leva señale a los pernos de leva.
4. Una ambos paneles, y asegúrese de que los pernos de leva vayan dentro del orificio pretaladrado en el extremo del panel con cerrojo de leva.
5. Una vez que los pernos de leva estén conectados dentro del cerrojo de leva, tome el destornillador Phillips y apriete el cerrojo de leva en dirección de las manecillas del reloj.

## CONTENIDO DEL PAQUETE



PIEZA	DESCRIPCIÓN	CANTIDAD
A	Panel superior	1
B	Panel inferior	1
C	Panel lateral izquierdo	1
D	Panel lateral derecho	1
E	Soporte de metal	1
F	Patas ajustables	2
G	Sujetador	2
H	Extensor posterior	2

PIEZA	DESCRIPCIÓN	CANTIDAD
I	Extensor delantero	1
J	Frente de la gaveta	2
K	Panel abatible grande	2
L	Panel abatible mediano	2
M	Panel abatible pequeño	2
N	Soporte abatible izquierdo	2
O	Soporte abatible derecho	2

**ADITAMENTOS** (no se muestran en tamaño real)

**AA**



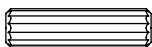
Cerrojo de  
leva  
Cant. 18

**BB**



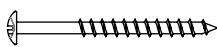
Perno de  
leva  
Cant. 18

**CC**



Espiga de  
madera  
Cant. 18

**DD**



Tornillo  
M5 x 55 mm  
Cant. 3

**EE**



Tornillo  
M3.5 x 12 mm  
Cant. 24

**FF**



Tapa  
Cant. 4

**GG**



Pivote  
Cant. 4

**HH**



Tornillo  
M4 x 25 mm  
Cant. 24

**II**



Perno de  
5/32" x 25 mm  
Cant. 4

**JJ**



Mango  
Cant. 2

**KK**



Perno de  
1/4 pulg. x 10 mm  
Cant. 8

**LL**



Cubierta de  
PVC  
Cant. 8

**MM**



Ancla de expansión  
para panel de yeso  
Cant. 1

**NN**



Perno de  
1/4" x 38 mm  
Cant. 4

**OO**



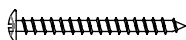
Llave hexagonal  
Cant. 1

**PP**



Soporte en L  
Cant. 4

**QQ**



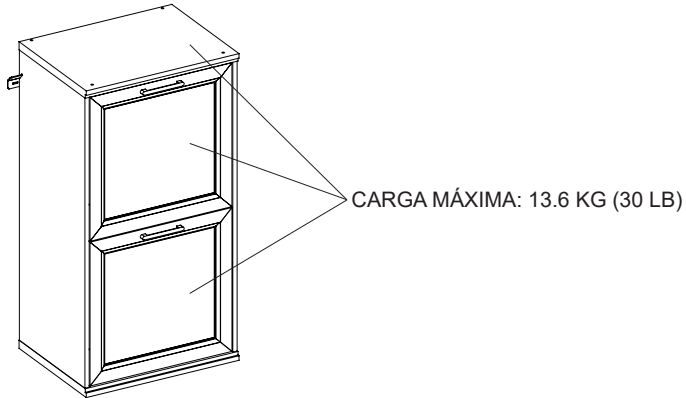
Tornillo  
M4 x 50 mm  
Cant. 4

## **▲ INFORMACIÓN DE SEGURIDAD**

---

Lea y comprenda completamente este manual antes de intentar ensamblar, usar o instalar el producto.

- No permita que los niños se suban al producto o que jueguen cerca de él.
- Use esta unidad solo para el fin para el cual se diseñó. No utilice las repisas como escalera de tijera.
- Para evitar daños, ensamble este producto sobre una superficie segura, nivelada y resistente.
- Asegúrese de que todos los pernos/tornillos estén bien apretados antes de usar la unidad.
- Revise periódicamente los tornillos/pernos y apriételos si es necesario.



## **▲ ADVERTENCIA**

**ESTA UNIDAD ESTÁ DISEÑADA PARA UTILIZARSE SOLO CON LOS PESOS MÁXIMOS ESPECIFICADOS. LA SOBRECARGA DE LA UNIDAD DE ALMACENAMIENTO CON PRODUCTOS MÁS PESADOS QUE EL PESO MÁXIMO PUEDE PROVOCAR LESIONES. DISTRIBUYA CUALQUIER PESO EN LAS UNIDADES DE MANERA UNIFORME.**

## **PREPARACIÓN**

---

Antes de comenzar a ensamblar el producto, asegúrese de tener todas las piezas. Compare las piezas con la lista del contenido del paquete y la lista de aditamentos. No intente ensamblar el producto si falta alguna pieza o si estas están dañadas.




**Tiempo estimado de ensamblaje: 50 minutos**

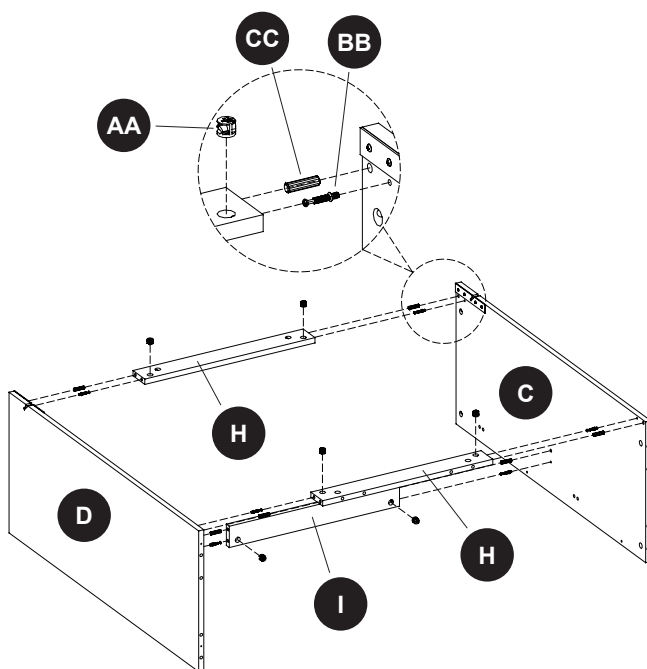
Herramientas necesarias para el ensamblaje (no se incluyen): destornillador Phillips, taladro eléctrico, broca para taladro de 5/16 pulg., broca para taladro de 3/32 pulg., nivel, detector de vigas, lápiz para marcar, cinta métrica, escalera de tijera, mazo de goma.

## INSTRUCCIONES DE ENSAMBLAJE

- 1a. Atornille los pernos de leva (BB) hasta el fondo en los orificios pequeños ubicados en el panel lateral izquierdo (C) y el panel lateral derecho (D), como se muestra en la figura.
- 1b. Inserte las espigas de madera (CC) en los orificios de los extremos como guía, fije el extensor posterior (H) y el extensor delantero (I) en el panel lateral izquierdo (C) y el panel lateral derecho (D) al enganchar los cerrojos de leva (AA).

### Aditamentos utilizados



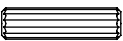
<b>AA</b>	Cerrojo de leva		x 6
<b>BB</b>	Perno de leva		x 6
<b>CC</b>	Espiga de madera		x 6

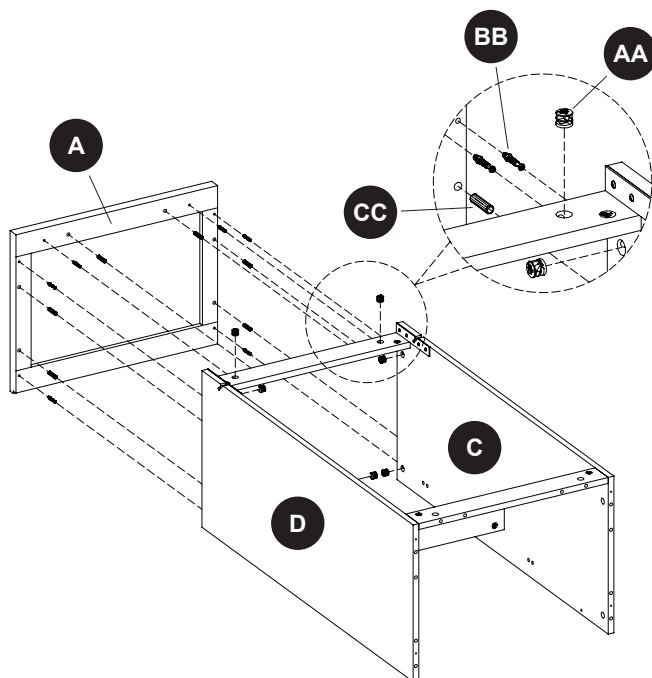


## INSTRUCCIONES DE ENSAMBLAJE

- 2a. Enrosque los pernos de leva (BB) hasta el fondo en los pequeños orificios ubicados en el panel superior (A).
- 2b. Inserte las espigas de madera (CC) en los orificios pretaladrados en el borde superior de la estructura ensamblada.
- 2c. Coloque el panel superior (A) sobre las espigas insertadas y fíjelo en su lugar al enganchar los cerrojos de leva (AA), como se muestra en la figura.

### Aditamentos utilizados




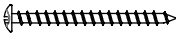
<b>AA</b>	Cerrojo de leva		x 6
<b>BB</b>	Perno de leva		x 6
<b>CC</b>	Espiga de madera		x 6

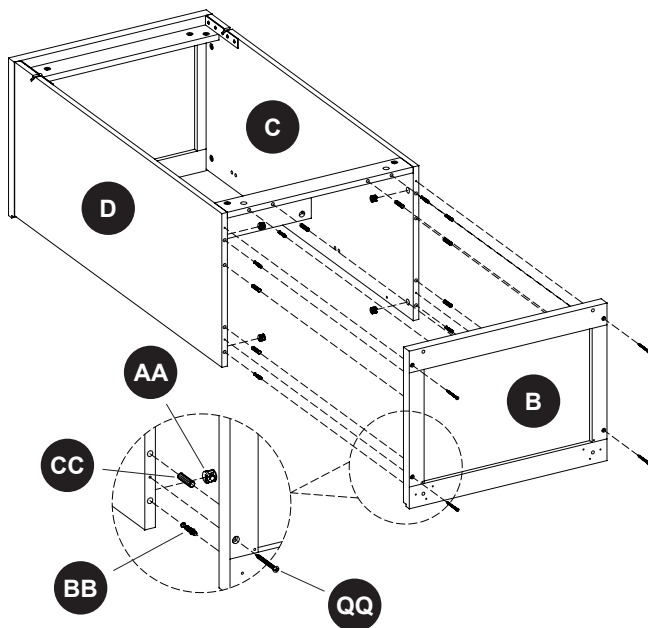


## INSTRUCCIONES DE ENSAMBLAJE

- 3a. Enrosque los pernos de leva (BB) hasta el fondo en los pequeños orificios ubicados en el panel inferior (B).
- 3b. Inserte las espigas de madera (CC) en los orificios pretaladrados en el borde inferior de la estructura ensamblada.
- 3c. Coloque el panel inferior (B) sobre las espigas insertadas y fijelo en su lugar con cerrojos de leva (AA) y tornillos M4 x 50 mm (QQ) como se muestra en la figura.

### Aditamentos utilizados

<b>AA</b>	Cerrojo de leva		x 6
<b>BB</b>	Perno de leva		x 6
<b>CC</b>	Espiga de madera		x 6
<b>QQ</b>	Tornillo M4 x 50 mm		x 4



## INSTRUCCIONES DE ENSAMBLAJE

---

4. Inserte las tapas (FF) en los orificios de la parte superior del panel superior (A).

### Aditamentos utilizados

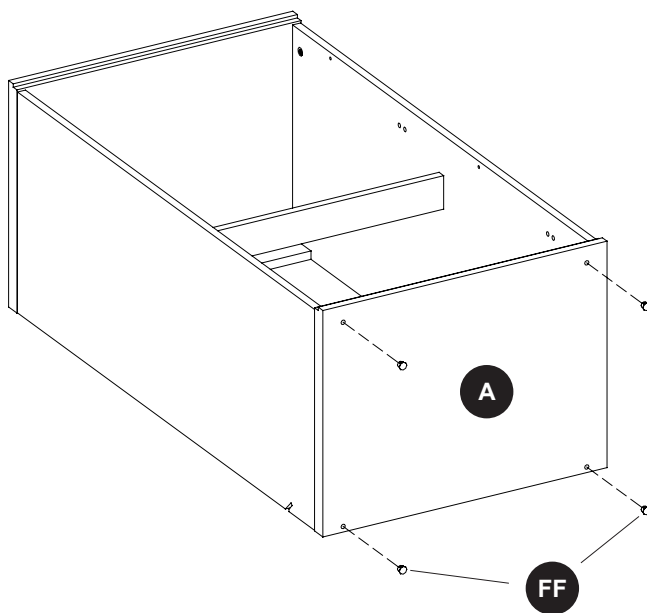
---

FF

Tapa



x 4



## INSTRUCCIONES DE ENSAMBLAJE

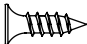
---

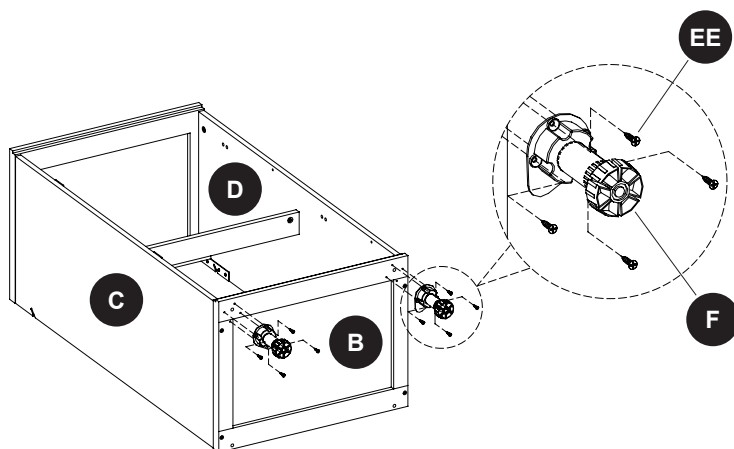
5. Fije las patas ajustables (F) al panel inferior (B) con tornillos M3.5 x 12 mm (EE).

**Nota:** las patas ajustables (F) son opcionales; no es necesario instalarlas si no lo desea.

### Aditamentos utilizados

---

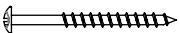

**EE** Tornillo M3.5 x  
12 mm  x 8

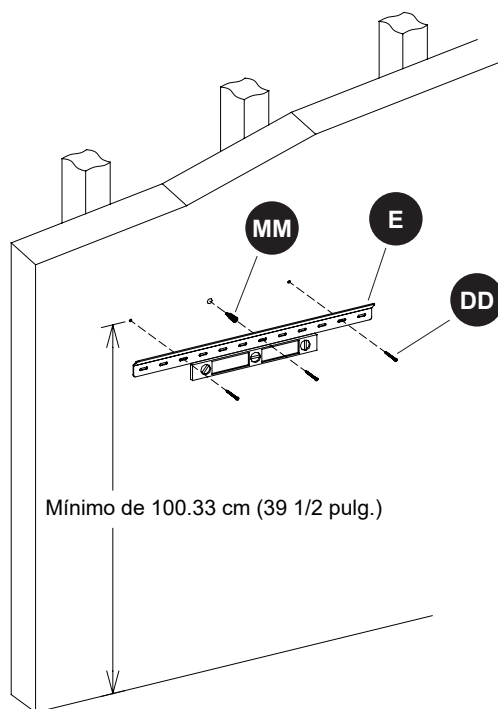


## INSTRUCCIONES DE ENSAMBLAJE

- 6a. Con un detector de vigas, localice los bordes de las vigas de madera. Localice la línea central de cada viga y trace una línea vertical como referencia en la pared sobre cada una.
- 6b. Con un soporte de metal (E) como guía, marque tres orificios para indicar dónde se deben taladrar los orificios. **NOTA:** las marcas deben estar a no menos de 100.33 cm del suelo. Debe haber al menos dos de las tres marcas a cada lado en los montantes de madera.
- 6c. Taladre tres orificios guía en la pared donde se marcaron previamente.  
**NOTA:** taladre orificios guía de 2.38 mm (3/32 pulg.) para las marcas en los montantes de madera y orificios guía de 7.93 mm (5/16 pulg.) para otras marcas.
- 6d. Presione el ancla de expansión para panel de yeso (MM) en los orificios de 7.93 mm (5/16 pulg.) y enrósquela con el destornillador Phillips hasta que quede al ras de los orificios.
- 6e. Fije el soporte de metal (E) a la pared con los tornillos M5 x 55 mm (DD).

### Aditamentos utilizados

- DD** Tornillo M5 x 55 mm  x 3
- MM** Ancla de expansión para panel de yeso  x 1



## INSTRUCCIONES DE ENSAMBLAJE

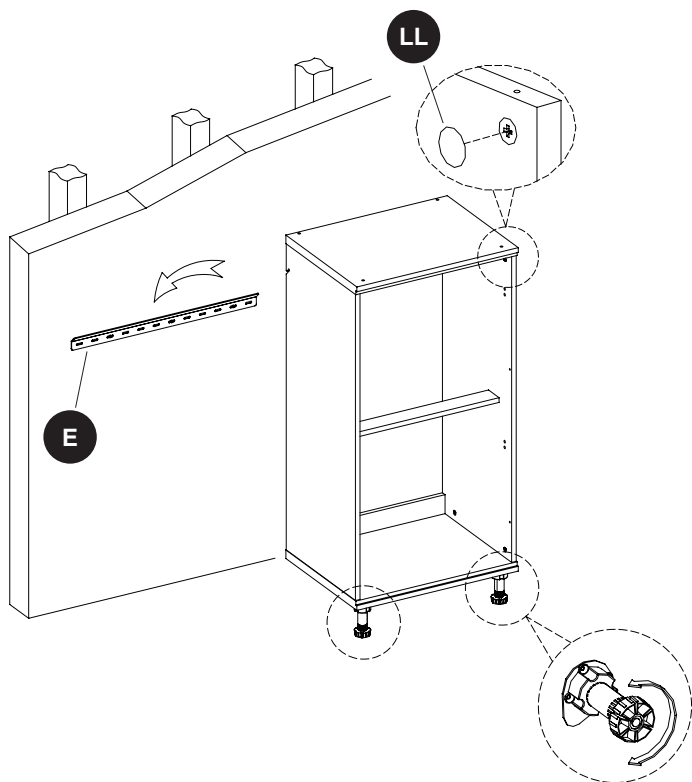
---

- 7a. Con la ayuda de otra persona, cuelgue la unidad con cuidado sobre los soportes de metal (E).
- 7b. Fije las cubiertas de PVC (LL) sobre los cerrojos de leva visibles para ocultar las levas.
- 7c. Ajuste las patas (F) a la altura que se adapte su preferencia o al nivel del piso.

### Aditamentos utilizados

---

**LL** Cubierta de PVC  x 8






## INSTRUCCIONES DE ENSAMBLAJE

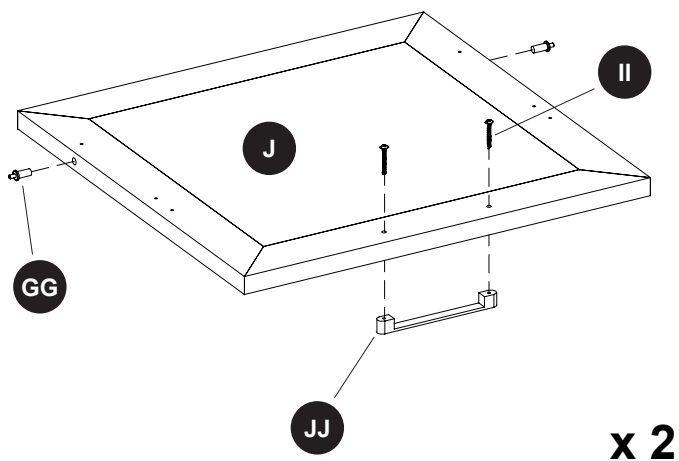
---

- 8a. Inserte el pivote (GG) en ambos lados de los frentes de gaveta (J).
- 8b. Fije una manija (JJ) en el frente de la gaveta (J) con los pernos de 5/32 pulg. x 25 mm (II) proporcionados.

### Aditamentos utilizados

---

<b>II</b>	Perno de 5/32" x 25 mm		x 4
<b>JJ</b>	Mango		x 2
<b>GG</b>	Pivote		x 4



## INSTRUCCIONES DE ENSAMBLAJE

---

9. Fije los soportes abatibles izquierdo (N) y derecho (O) a los paneles abatibles pequeños (M) con tornillos M4 x 25 mm (HH).

### Aditamentos utilizados

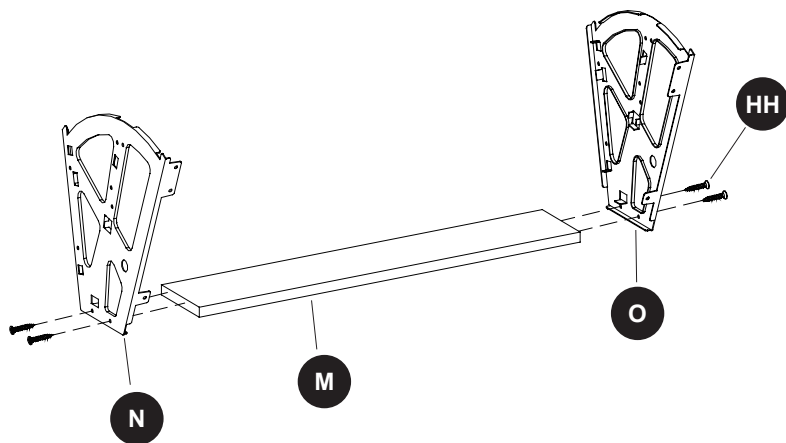
---

HH

Tornillo M4 x  
25 mm



x 8



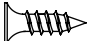
x 2

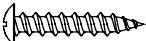
## INSTRUCCIONES DE ENSAMBLAJE

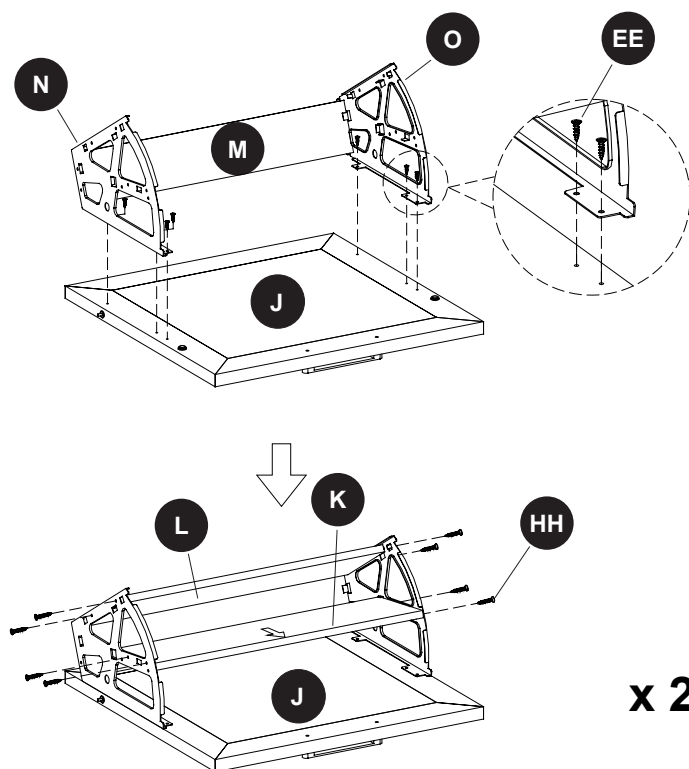
- 10a. Fije el soporte abatible ensamblado en el frente de la gaveta (J) con tornillos M3.5 x 12 mm (EE).
- 10b. Fije los paneles abatibles medianos (L) y los paneles abatibles grandes (K) al conjunto abatible ensamblado con tornillos M4 x 25 mm (HH).

**Nota:** instale primero un lado y luego complete el otro.

### Aditamentos utilizados

**EE** Tornillo M3.5 x 12 mm  x 12

**HH** Tornillo M4 x 25 mm  x 16





## INSTRUCCIONES DE ENSAMBLAJE

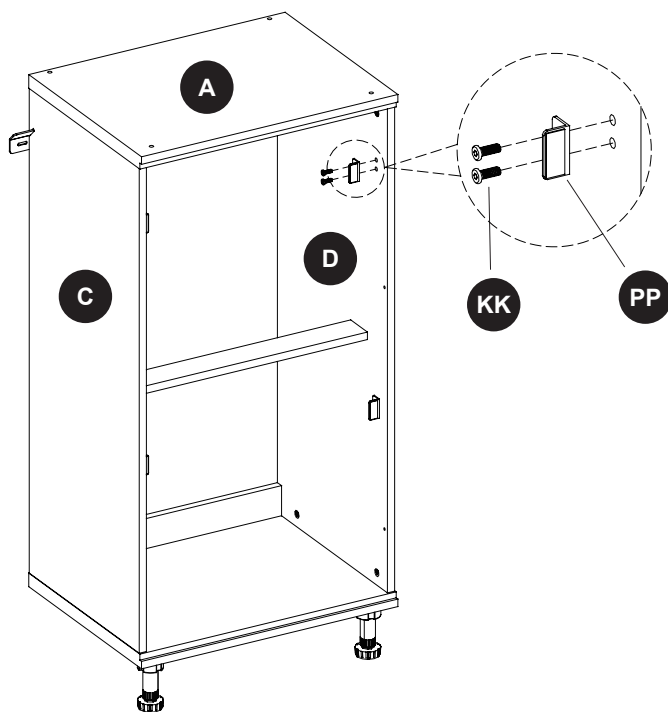
---

11. Fije los soportes en L (PP) al panel lateral izquierdo (C) y al panel lateral derecho (D) con los pernos de 1/4 pulg. x 10 mm (KK).

### Aditamentos utilizados

---

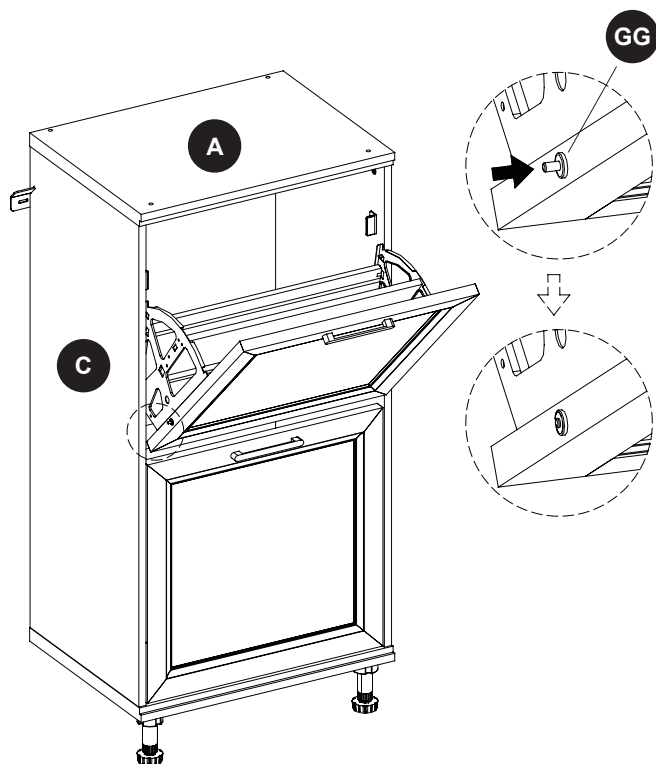
<b>KK</b>	Perno de 1/4 pulg. x 10 mm		x 8
<b>PP</b>	Soporte en L		x 4



## INSTRUCCIONES DE ENSAMBLAJE

---

12. Presione el pestillo de posicionamiento en los pivotes (GG) en ambos lados de los frentes de gaveta (J), luego instale la gaveta abatible en la estructura ensamblada como se muestra.



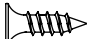
## INSTRUCCIONES DE ENSAMBLAJE

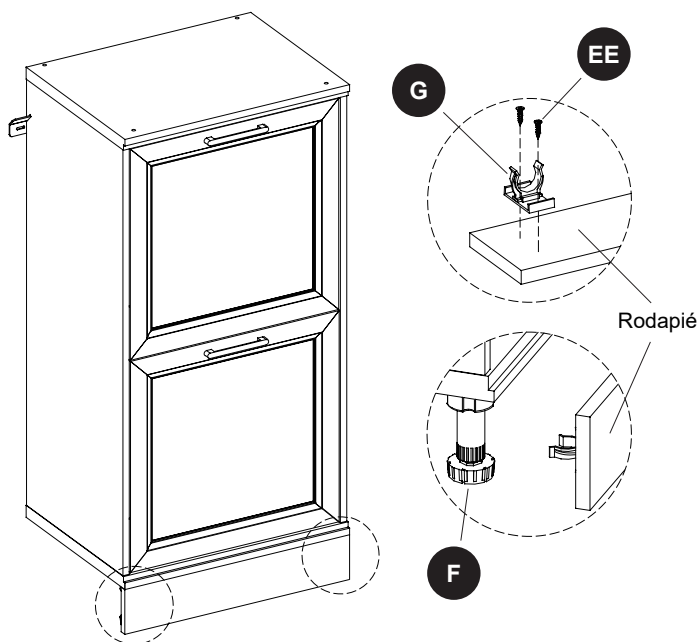
---

- 13a. Fije los sujetadores (G) al rodapié (se vende por separado) con tornillos M3.5 x 12 mm (EE).  
13b. Fije el rodapié ensamblado a los pies ajustables (F) al presionar los sujetadores (G) en su lugar.

### Aditamentos utilizados

---

**EE** Tornillo M3.5 x 12 mm  x 4



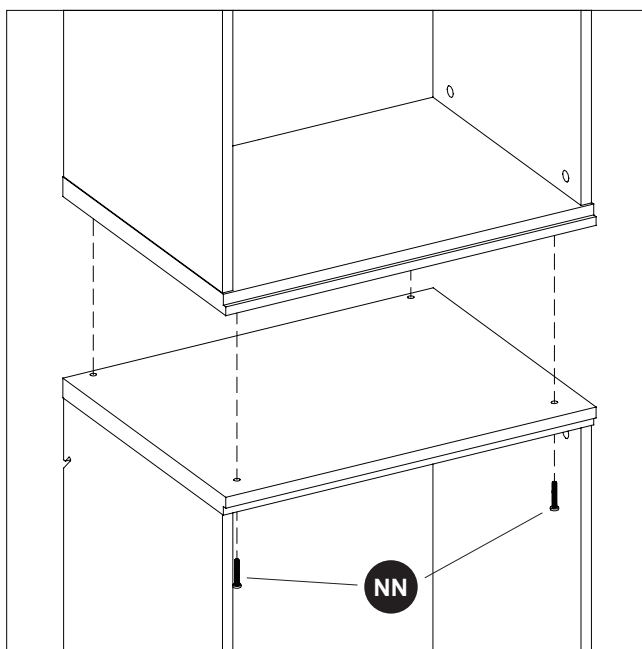
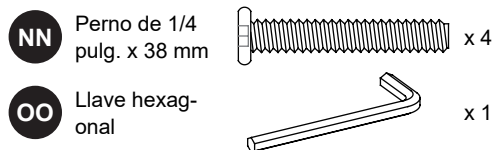
## INSTRUCCIONES DE ENSAMBLAJE

---

14. Este gabinete se diseñó con una característica que permite apilar dos unidades. Las unidades adicionales se venden por separado. Fije el panel superior de una unidad al panel inferior de la otra con los pernos de 1/4 pulg. x 38 mm (NN). Apriete con la llave hexagonal (OO). A continuación, cuelgue el conjunto conectado en soportes de metal.

### Aditamentos utilizados

---



## CUIDADO Y MANTENIMIENTO

---

- Revise periódicamente para asegurarse de que todos los componentes estén ubicados de forma correcta, que no estén dañados y que estén firmemente conectados.
- Utilice un paño suave y limpio que no raye la superficie al limpiarla.
- Nunca utilice agua para limpiar los muebles, ya que puede provocar daños en el acabado.
- Limpie con un paño húmedo y un limpiador suave. Seque con un paño limpio.
- En el caso de que el mueble se tiña o se dañe durante el uso, le recomendamos que llame a un profesional para repararlo.
- Mantenga el mueble lejos de la luz solar directa, ya que puede provocar daños en el acabado.
- Es mejor mantener los muebles en un ambiente climatizado. Los cambios extremos de temperatura y de humedad pueden ocasionar decoloración, deformación, contracciones y grietas en la madera.

## UN AÑO DE GARANTÍA LIMITADA

---

La garantía de este producto es válida para el comprador original. Si esta unidad presenta alguna falla debido a defectos en los materiales o la mano de obra, el fabricante reemplazará o reparará a su discreción este artículo sin cargos. La garantía se anula si el producto no se ensambló correctamente y debido al mal uso, abuso por sobrecarga, modificación de cualquier tipo o daños producidos por un accidente. Esta garantía no es transferible y no cubre el desportillado, desprendimiento, rayones, oxidación, abolladuras u otros daños en la superficie de este producto. La responsabilidad del fabricante se limita a la reparación o el reemplazo de este producto. El fabricante no se hará responsable por daños accidentales o resultantes u otros daños o pérdidas causadas por fallas del producto.

Esta garantía reemplaza a todas las demás garantías explícitas. Algunos estados no permiten la exclusión o limitación de los daños accidentales o resultantes, de modo que las limitaciones anteriores pueden no aplicarse en su caso. Esta garantía le otorga derechos legales específicos y podría tener otros derechos, que varían según el estado.

## LISTA DE PIEZAS DE REPUESTO

---

Para obtener piezas de repuesto, llame a nuestro Departamento de Servicio al Cliente al **877-888-8225**, de lunes a domingo de 8 a.m. a 8 p.m., hora estándar del Este, o escriba al correo electrónico **ascs@lowes.com**.

PIEZA	DESCRIPCIÓN	PIEZA #	CUBIERTO POR LA GARANTÍA	CANTIDAD
A	Panel superior	00LOWECABWH-05-A	SÍ	1
B	Panel inferior	00LOWECABWH-05-B	SÍ	1
C	Panel lateral izquierdo	00LOWECABWH-05-C	SÍ	1
D	Panel lateral derecho	00LOWECABWH-05-D	SÍ	1
E	Soporte de metal	00LOWECABWH-05-E	SÍ	1
F	Patás ajustables	04LOWEWH-AF	SÍ	2
G	Sujetador	04LOWEWH-CL	SÍ	2
H	Extensor posterior	00LOWECABWH-05-H	SÍ	2

## LISTA DE PIEZAS DE REPUESTO

Para obtener piezas de repuesto, llame a nuestro Departamento de Servicio al Cliente al **877-888-8225**, de lunes a domingo de 8 a.m. a 8 p.m., hora estándar del Este, o escriba al correo electrónico **ascs@lowes.com**.

PIEZA	DESCRIPCIÓN	PIEZA #	CUBIERTO POR LA GARANTÍA	CANTIDAD
I	Extensor delantero	00LOWECABWH-05-I	SÍ	1
J	Frente de la gaveta	00LOWECABWH-05-J	SÍ	2
K	Panel abatible grande	00LOWECABWH-05-K	SÍ	2
L	Panel abatible mediano	00LOWECABWH-05-L	SÍ	2
M	Panel abatible pequeño	00LOWECABWH-05-M	SÍ	2
N	Soporte abatible izquierdo	00LOWECABWH-05-N	SÍ	2
O	Soporte abatible derecho	00LOWECABWH-05-O	SÍ	2
CH	Aditamentos completos	00LOWECABWH-05-CH	SÍ	1

**El paquete completo de aditamentos contiene las siguientes piezas:**

PIEZA	DESCRIPCIÓN	PIEZA #	CUBIERTO POR LA GARANTÍA	CANTIDAD
AA	Cerrojo de leva	06CLD15X12-ZN	SÍ	18
BB	Perno de leva	06CPSS32-ZN	SÍ	18
CC	Espiga de madera	06WDLM8X30	SÍ	18
DD	Tornillo M5 x 55 mm	06SCPNHDM5X55-ZN	SÍ	3
EE	Tornillo M3.5 x 12 mm	06SCFLHDM3.5X12-BK	SÍ	24
FF	Tapa	04LOWEWH-CA	SÍ	4
GG	Pivote	00LOWECABWH-05-GG	SÍ	4
HH	Tornillo M4 x 28 mm	06SCFLHDM4X25-ZN	SÍ	24
II	Perno de 5/32" x 25 mm	06BLTHDPHI4X25-ZN	SÍ	4
JJ	Mango	04LOWEWH-H	SÍ	2
KK	Perno de 1/4 pulg. x 10 mm	06BOLTFH1/4X10HXD-ZN	SÍ	8
LL	Cubierta de PVC	04LOWEWH-PC	SÍ	8
MM	Ancla de expansión para panel de yeso	06TSDWANANCHOR	SÍ	1
NN	Perno de 1/4 pulg. x 38 mm	06BOLTFH1/4X38HXD-ZN	SÍ	4
OO	Llave hexagonal	06HEXWCHM4-ZN	SÍ	1
PP	Soporte en L	00LOWECABWH-05-PP	SÍ	4
QQ	Tornillo M4 x 50 mm	06SCPNHDM4X50-ZN	SÍ	4

# LISTA DE PIEZAS DE REPUESTO

Para obtener piezas de repuesto, llame a nuestro Departamento de Servicio al Cliente al **877-888-8225**, de lunes a domingo de 8 a.m. a 8 p.m., hora estándar del Este, o escriba al correo electrónico **ascs@lowes.com**.

