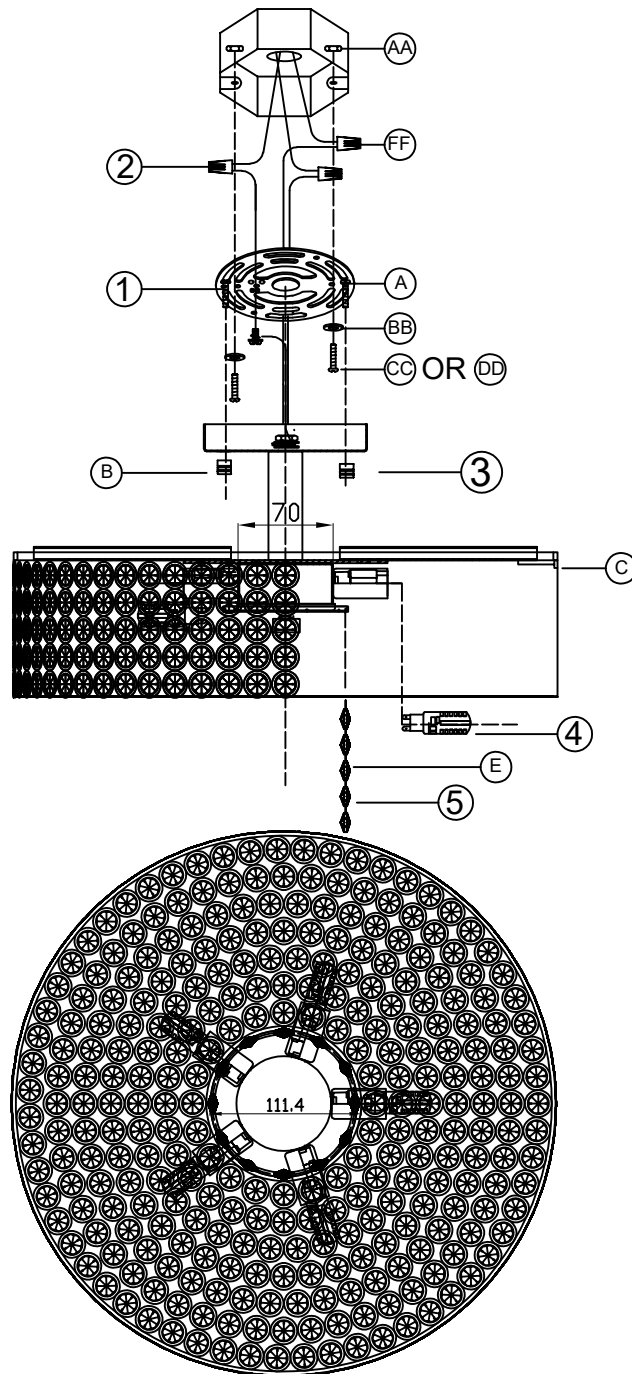


Monaco III

AA	BB	CC	DD	FF
				
2X	2X	2X	2X	3X



Installation steps:

1. Secure mounting plate A to the junction box with screws CC and washers DD.
2. Use wist-on wire connector(FF) to connect the lamp body's hot (live), neutral, and ground wires to the corresponding wires in the junction box.
3. Attach lamp body C to the mounting plate using metal connector B.
4. Install the light source (light source not included).
5. Hang crystal strands E onto lamp body C.