

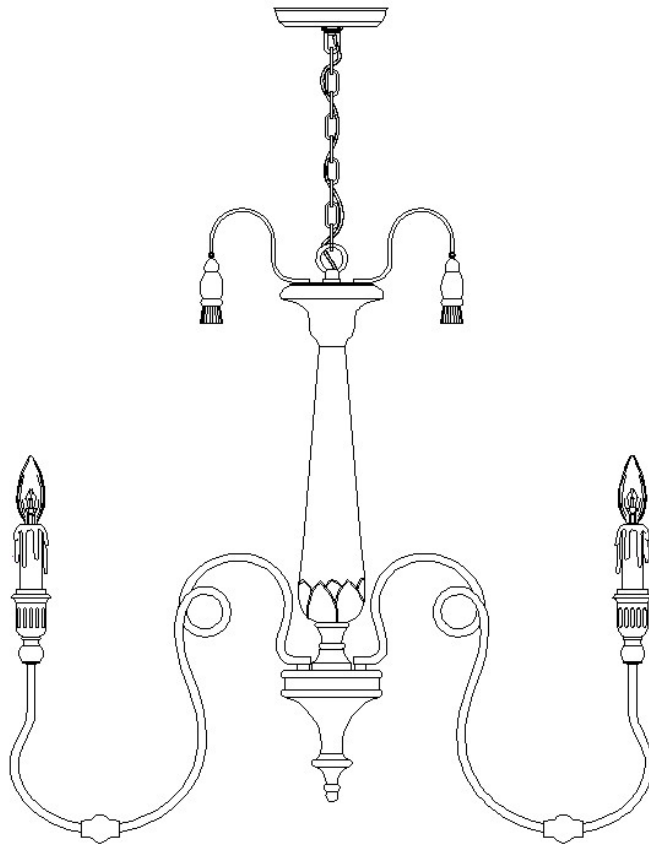


Item Number: A03299

WARNING (To reduce the risk of fire, electric shock, or injury to persons):

1. We suggest installation by a **licensed electrician**.
2. Please read the instruction carefully and save it as you may need it at later time.
3. Before you start, **NEVER** attempt any work without shutting off the electricity until the work is done. A). Go to the main fuse, or circuit breaker, box in your home. Place the main power switch in the **"OFF"** position. B). Place the wall switch in the **"OFF"** position.
4. Mounting surface should be clean, dry, flat, strong enough and 1/4" larger than the canopy on all side. Any gaps between the mounting surface and canopy exceeding 3/16" should be corrected as required.
5. Make sure that the ceiling or wall can stand the weight of the lamp before fixture.
6. Make sure the voltage you are using is **120V**. The maximum wattage is **40W** per bulb.
7. Keep the lamp away from acidic and basic objects in case of damaging the surface of the lamp.
8. When replacing bulb, you should turn off or unplug the lamp and you must wait until it is cool as bulbs get hot quickly.
9. The safety instructions appearing in this manual are not meant to cover all possible conditions that may occur. It must be understood that common sense, caution and care must be used with any electrical products.




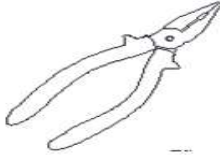

IMAGE FOR FINISHED PRODUCT:





TOOLS REQUIRED (NOT INCLUDED):

Before doing assembly and installation please prepare the needed tools as below picture

				
Ladder	Phillips head, flat blade screwdriver	Electrical tape	Pliers	Wire cutter/Stripper

PARTS TYPE & QTY INCLUDING:

- (A) Single bar (1)
- (C) Green ground screw (1)
- (D) Washer (1)
- (E) Hex nut (1)
- (F) Threaded nipple (1)
- (H) Canopy (1)
- (I) Collar ring (1)
- (J) Collar loop (1)
- (K) Quick link (2)
- (L) Chain (1)
- (M) Loop (1)
- (N) Steel holder (1)
- (O) Wood drops (5)
- (P) Post (1)
- (Q) Arm (5)

ACCESSORIES & QTY ENCLOSED:

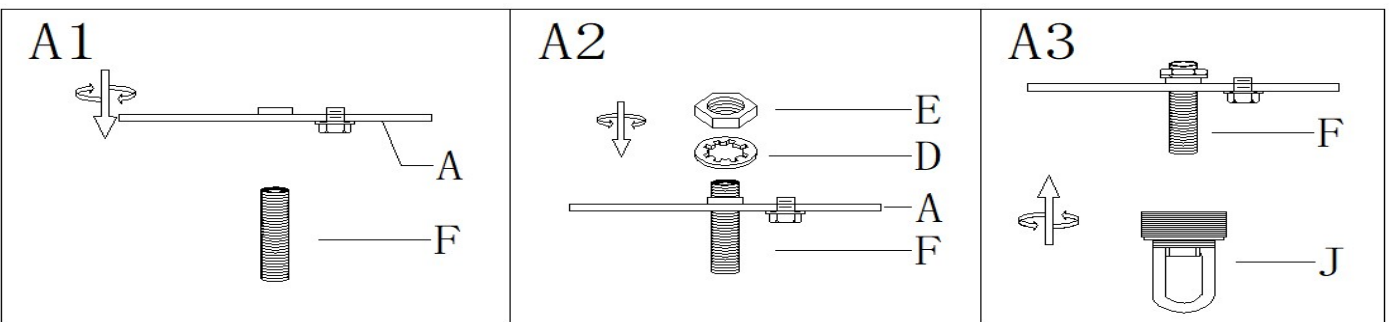
- (B) Mounting screw (2)
- (G) Wire connector (3)

ASSEMBLY & INSTALLATION INSTRUCTIONS:

1. Carefully remove the fixture from the carton and check that all parts and accessories are included as shown in the above illustration.

2. Make assembly

If the group of parts are not already assembled:



Step A1: Thread the single bar(A) onto the nipple (F), At this point need note that: the side of single bar marked "GND" must

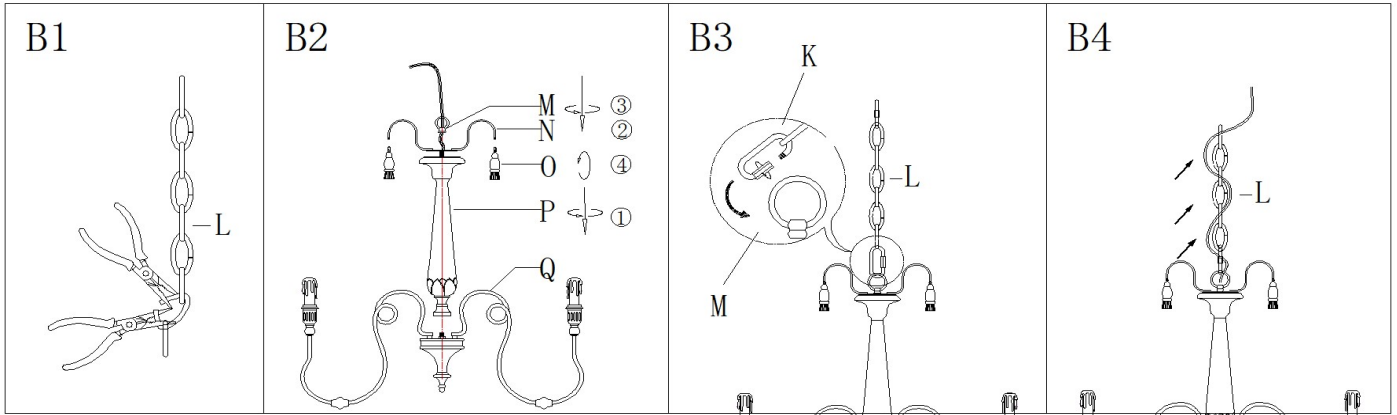


face to the down.

Step A2: Attach washer (D) and hex nut (E) onto the nipple (F) to secure single bar(A) in place.

Step A3: Attach collar loop (J) onto the bottom end of nipple (F), rotate the nipple(F) until it is snug within the collar loop (J).

3. Make pre-installation



Step B1: By measuring, determine the correct number of links needed for proper hanging height. Using the chain pliers, disconnect and discard the remaining chain.

Step B2: Slip post (P) over the wires and thread post (P) into top of fixture body.

Slip steel holder (N) over wires and position steel holder (N) onto top of fixture body.

Slip loop (M) over the wires and thread post (P) into top of fixture body to secure steel holder (N) in place.

Hang wood drops onto the ends of steel holder (N).

Step B3: Attach the quick link(K)to connect the chain(L) and the loop(M) on the top end of fixture body.

Step B4: Carefully lace the wires through the chain (L)(every other link)and stop just before you reach the top of chain (L).

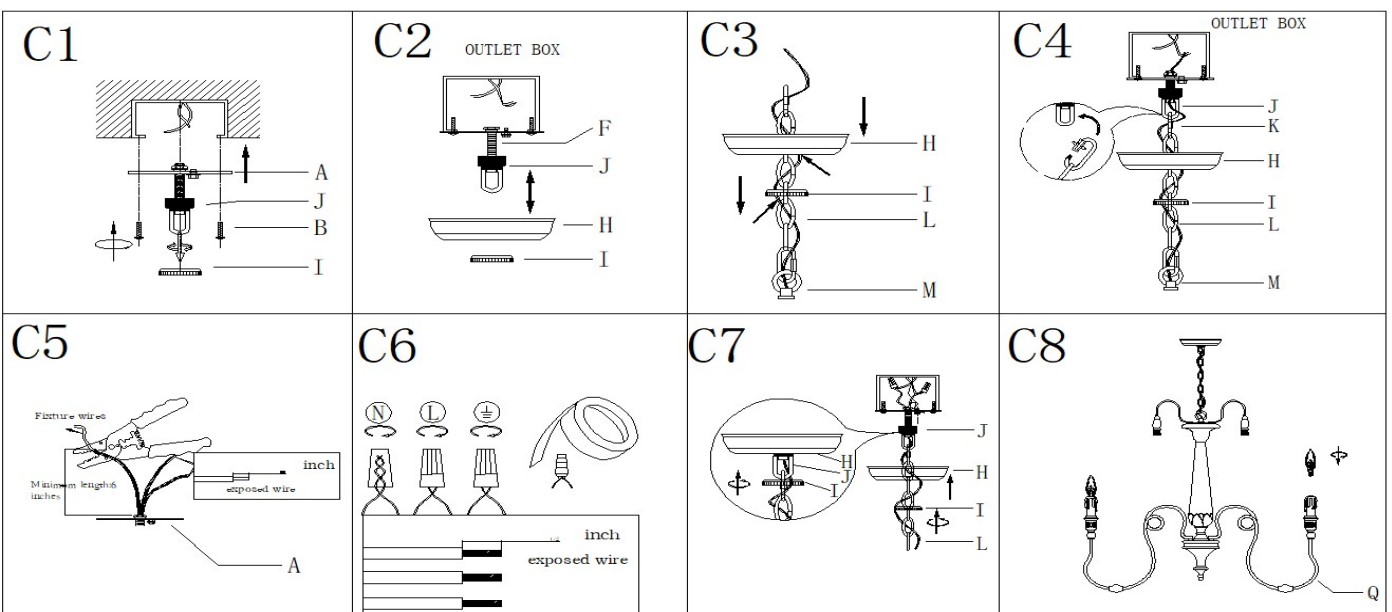
Gently pull the wires till snug.

4. Turn off power

Before you start to make installation, NEVER attempt any work without shutting off the electricity until the work is done.

A). Go to the main fuse, or circuit breaker, box in your home. Place the main power switch in the "OFF" position. B). Place the wall switch in the "OFF" position.

5. Make installation



Step C1: Remove the threaded ring (I) from collar loop(J).



Attach the single bar (A) to outlet box with mounting screws (B). The side of single bar marked "GND" must face out
Step C2: Pass canopy (H) over the mounted collar loop (J) then secure with threaded ring (I) to test the height .Unscrew threaded ring (I) from collar loop (J) and remove the canopy (H).

Note: The canopy (G) should be snug against the ceiling and the collar loop (I) should be screwed enough threads (no less than 6 threads)over the threaded nipple (F) for more secure hanging .If not, adjust the height of nipple (F) and collar loop (J) until the desired height is reached. Remove the threaded ring (I) and canopy (H) and place to the side.

Step C3: Slip the threaded ring(I) over the chain(L),then do the same with the canopy(H).

Step C4: Open the quick link(K), attach the quick link (K) to connect the loop (J). Close the quick link(K)

Pass the wires through screw collar loop(J) to the top of nipple(F) and gently pull till snug.

Step C5: If needed, cut off the wires length of fixture.At this point, the remaining wire length measured from the top of single bar(A) is at least 6".

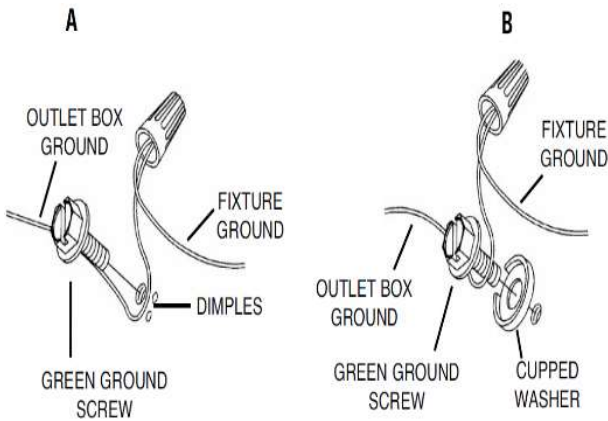
Step C6: Make wire connections

Connect wires as below wires connecting shown. **TAKE NOTE OF YOUR COLOR OF FIXTURE ,NEVER CONNECT**

WIRES TO GROUND WIRES

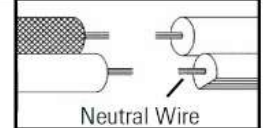
Connect ground wire according to below chart

Connect wires according to below chart



Connect Black or Red Supply Wire to:	Connect White Supply Wire to:
Black	White
*Parallel cord (round & smooth)	*Parallel cord (square & ridged)
Clear, Brown, Gold or Black without tracer	Clear, Brown, Gold or Black with tracer
Insulated wire (other than green) with copper conductor	Insulated wire (other than green) with silver conductor

*Note: When parallel wires (SPT I & SPT II) are used. The neutral wire is square shaped or ridged and the other wire will be round in shape or smooth (see illus.)



Twist plastic wire connector until wires are tightly joined together,wrap each connector with approved electrical tape.Be sure that no wire strands are exposed and then carefully tuck all wires into the outlet box .

Step C7: Raise canopy (H) to ceiling and secure canopy (H) in place by tightening threaded ring (I) onto collar loop (J).

Step C8: Adjust arms (Q) to their proper positions.

Install bulbs (not included) (Please do not exceed the maximum capacity recommended on the socket.)

6. Check everything is already installed properly, then you could turn on the light. Enjoy!

CLEANING.

To clean, wipe fixture with a soft cloth. Do not use abrasive materials such as scouring pads or powders, steel wool or abrasive paper.

ORDERING PARTS.

Keep this sheet for future reference, and in case you need to order replacement parts. All parts for this fixture can be ordered from place of purchase. Be sure to use exact wording from illustration when ordering parts.