



Manufactured by:
Backyard Discovery
3305 Airport Drive, Pittsburg, KS 66762
800-856-4445

Basepoint Business Centre: Rivermead Drive, Westlea, Swindon SN5 7EX Phone: 0800-118-2476
J.P. Coenstraat 7, The Bridge, The Hague, 2595 WP, Netherlands Phone: 08005678990

10x10 EVANSTON STEEL WALL-MOUNTED LOUVERED PERGOLA

MODEL #: 2407169



WARNING

Cancer and Reproductive Harm
www.P65Warnings.ca.gov



Please visit www.backyarddiscovery.com
For the most up to date assembly manual, to register your product, or to order
replacement parts Para obtener instrucciones en español, visite
www.backyarddiscovery.com



EASY STEP-BY-STEP
3D INTERACTIVE INSTRUCTIONS
DOWNLOAD THE FREE APP



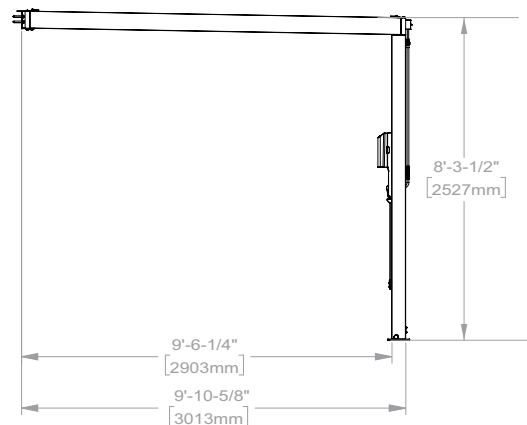
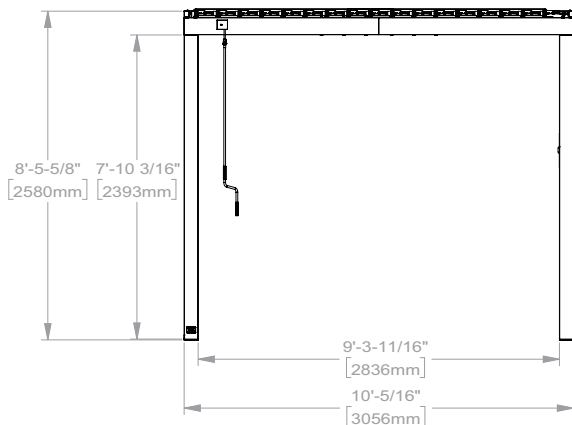
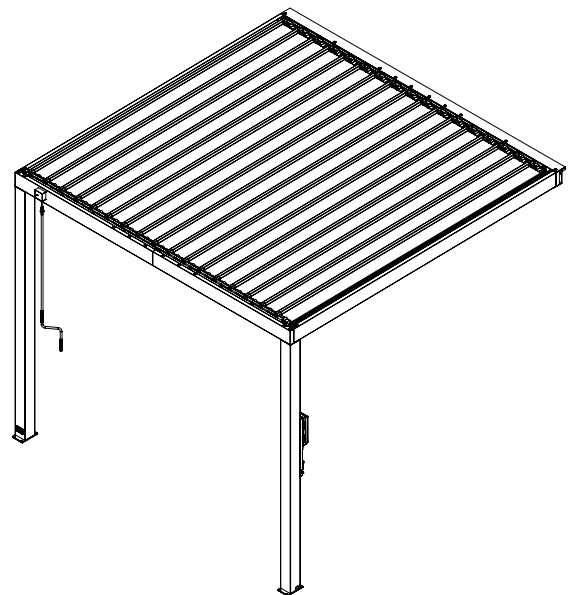
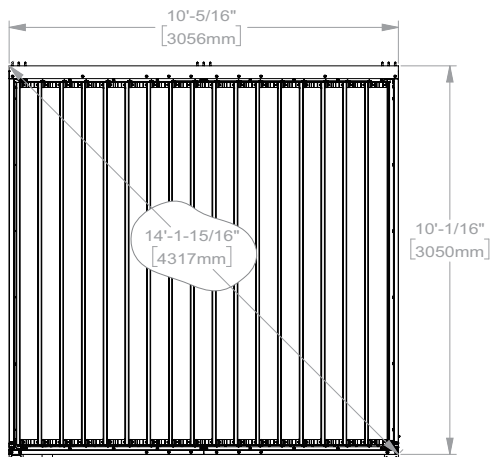
OWNER'S MANUAL - BASIC SETUP DIMENSIONS & ASSEMBLY NOTES

It is critically important that you start with square and level footings, concrete pad or deck to attach your structure.

- Pay close attention to the items needed for each step. Make sure you are using the correct hardware for each step. Using incorrect hardware may result in improper assembly
- Remember to double check for underground utilities and overhead electrical lines

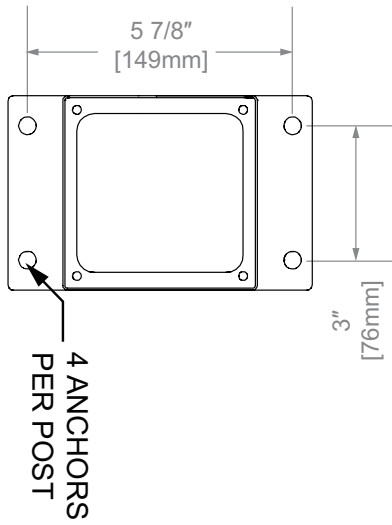
Post mounts are provided with your structure which allows you to permanently install your structure to a pre-existing or new wood or concrete surface. See Anchor Instructions for further details and recommendations.

- The hardware to attach the post mounts to the structure is included.
- The hardware to mount the structure permanently to a concrete surface is included.
- The hardware to attach the structure permanently to a house is included.
- The hardware to mount the structure permanently to a wood deck is NOT included and will need to be purchased separately. You must ensure there is ample structural support under the deck before permanently attaching.

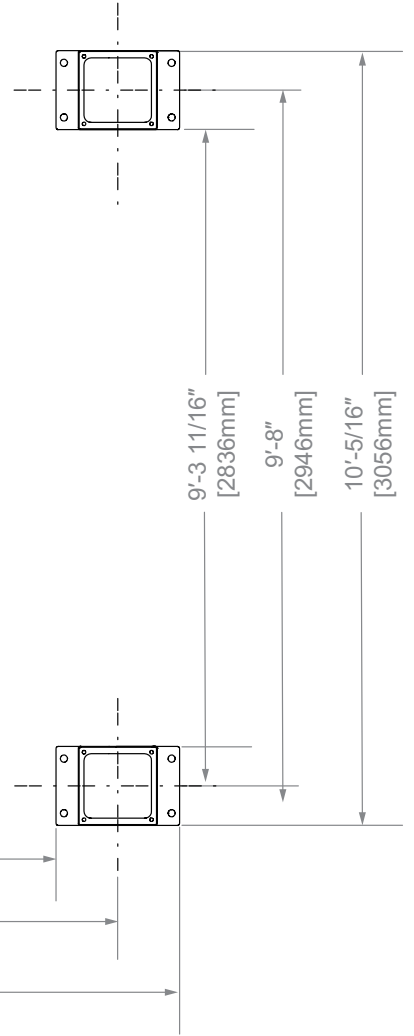
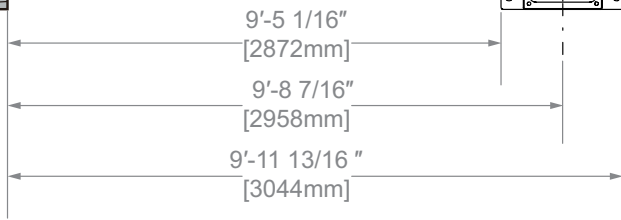


OWNER'S MANUAL - ANCHORING LAYOUT

NOTE: DIMENSIONS ARE TO ANCHOR PLATE ON BOTTOM OF POST EXCEPT WHERE NOTED.

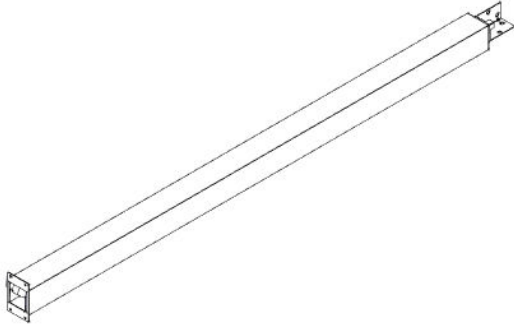


HOUSE

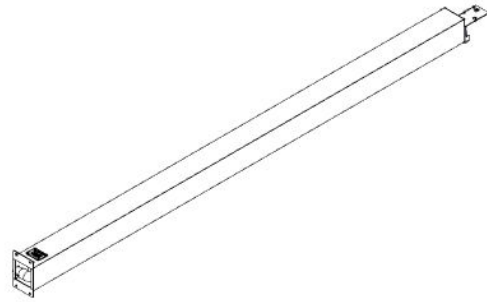


OWNER'S MANUAL - PARTS IDENTIFICATION

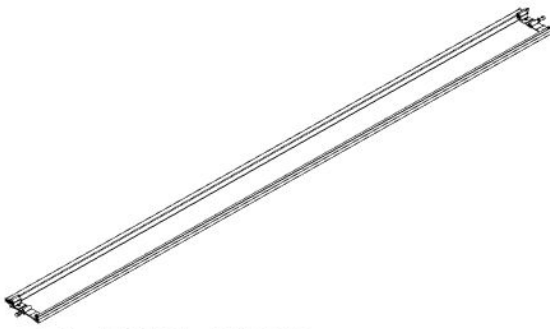
METAL COMPONENTS (NOT TO SCALE)



P02 POST - A4M01984
(x1) 4 5/16"x6 3/4"x99 1/2" (110x172x2527)



P03 POST - A4M02131
(x1) 4 5/16"x6 3/4"x99 1/2" (110x172x2527)



L01 LOUVER - A4M04137
(x17) 1 11/16"x7 3/4"x114 5/16" (42x196.2x2904)



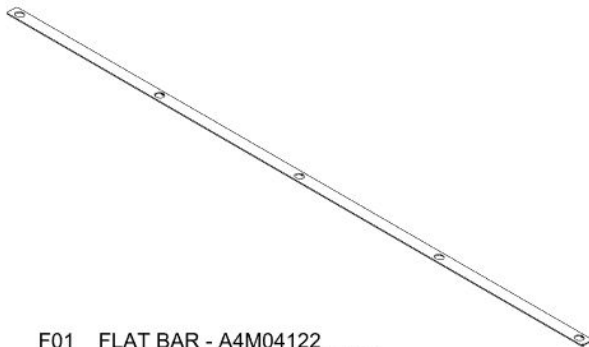
G01 GUTTER - A4M03478
(x1) 1 9/16"x1 15/16"x111 13/16" (0x50x2839)



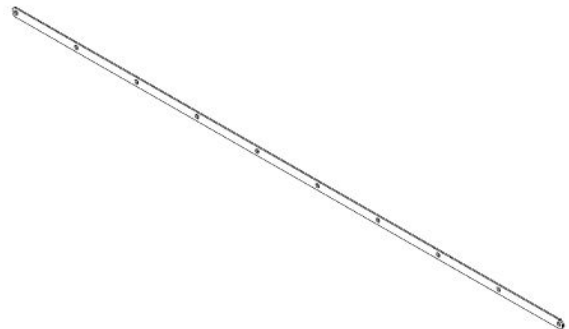
G02 GUTTER - A4M03481
(x1) 1 9/16"x1 15/16"x111 13/16" (40x50x2839)



G03 GUTTER - A4M04120
(x1) 1 9/16"x1 15/16"x111 11/16" (40x50x2837)



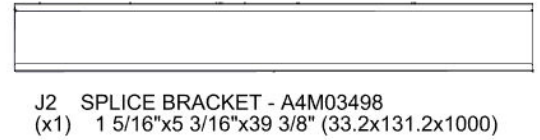
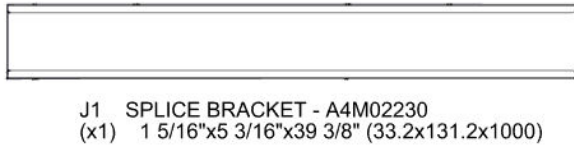
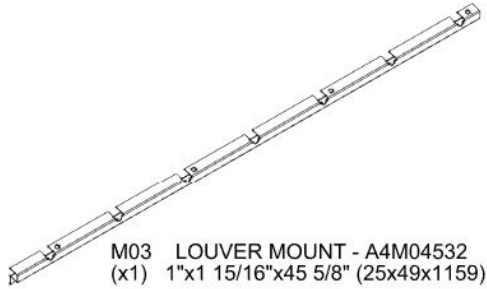
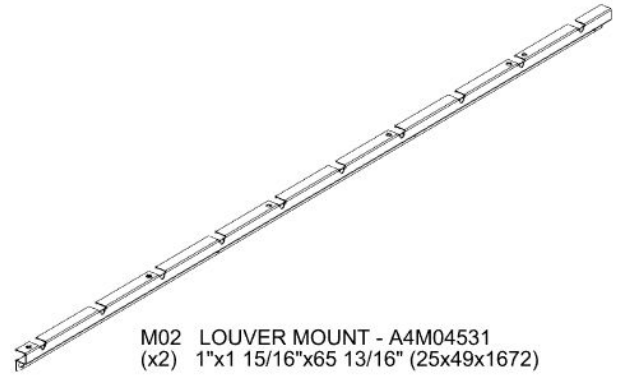
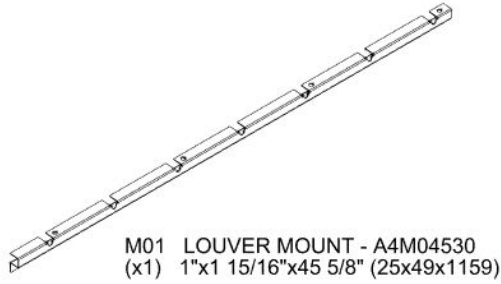
F01 FLAT BAR - A4M04122
(x4) 1/16"x1"x55 3/4" (2x25x1416)



F02 LOUVER TIE STRAP - A4M04121
(x4) 1/8"x13/16"x61 3/8" (3x20x1559)

OWNER'S MANUAL - PARTS IDENTIFICATION

METAL COMPONENTS (NOT TO SCALE)



K1 WEATHER STRIP - A6P01163
(x1) 1/16"x3 15/16"x115 1/2" (1.6x100x2934)



B01 BEAM - A4M03480
(x1) 1 7/16"x5 1/4"x114 7/8" (36x134x2918)



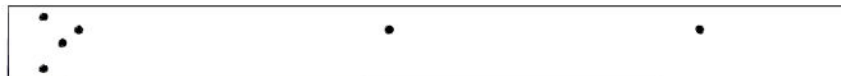
B02 BEAM - A4M03479
(x1) 1 7/16"x5 1/4"x114 7/8" (36x134x2918)



B03 BEAM - A4M04123
(x1) 1 7/16"x5 1/4"x60 1/8" (36x134x1527)



B04 BEAM - A4M04528
(x1) 1 7/16"x5 1/4"x60 1/8" (36x134x1527)



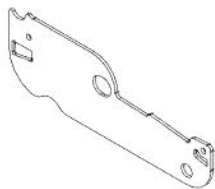
B05 BEAM - A4M04118
(x1) 1 7/16"x5 1/4"x60 1/8" (36x134x1527)



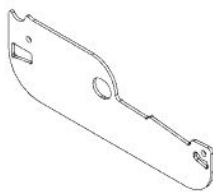
B06 BEAM - A4M04124
(x1) 1 7/16"x5 1/4"x60 1/8" (36x134x1527)

OWNER'S MANUAL - PARTS IDENTIFICATION

METAL COMPONENTS (NOT TO SCALE)



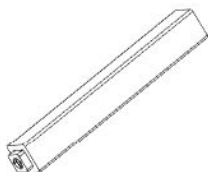
L02 LOUVER DRIVE SIDE PLATE - A4M04139
(x1) 1/16"x2 3/16"x6 9/16" (2x55x167)



L03 LOUVER SIDE PLATE - A4M04138
(x33) 1/16"x2 3/16"x6 9/16" (2x55x167)



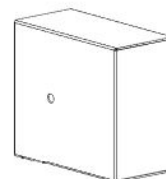
L04 BODY HALF - A4M02132
(x1) 1 1/16"x2 1/2"x2 7/8" (17x64x73)



F05 KEY STOCK - A4M02226
(x1) 1/2"x1 1/2"x3 3/4" (13.0x13.0x95)



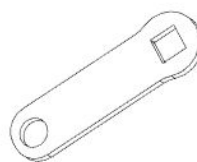
F06 SPACER - A4M02227
(x1) 1/16"x2 3/16"x2 3/4" (1.5x56x70)



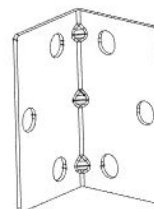
F07 COVER - A4M02228
(x1) 1 9/16"x2 7/8"x3 1/4" (39.5x73x82)



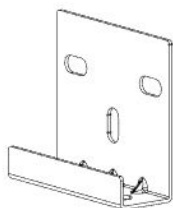
F03 LINKAGE STRAP - A4M02229
(x1) 1/2"x11/16"x3 13/16" (13x17x97)



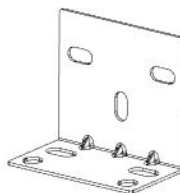
F04 LINKAGE STRAP - A4M02225
(x1) 1/8"x13/16"x2 5/8" (3x20x66)



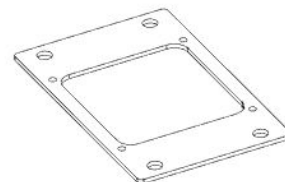
CB01 POST BRACKET - A4M04063
(x2) 2 15/16"x2 15/16"x5 1/4" (74.5x74.5x134)



K03 WALL BRACKET - A4M03482
(x1) 2 11/16"x5 3/16"x6" (69x131x152)



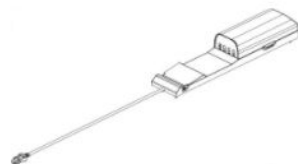
K04 WALL BRACKET - A4M03483
(x2) 3 15/16"x5 1/8"x6" (99x131x152)



4024 SHIM - A4M04024
(x4) 1/8"x4 3/8"x6 3/4" (3x110x172)



A6P00796 SILICONE
(x1)



9205413 ELECTRICAL ENCLOSURE
(x1)



H01 HANDLE - A4M04022
(x1)



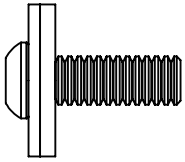
T01 TEMPLATE - W4L20782
(x1) 1/8"x5 1/2"x70 7/8" (3x140x1800)



T02 TEMPLATE - W4L20783
(x1) 1/8"x5 1/2"x50 3/8" (3x140x1280)

OWNER'S MANUAL - PARTS IDENTIFICATION

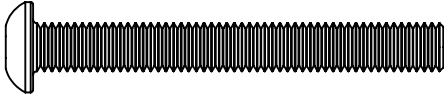
HARDWARE COMPONENTS



H101202 | TORX PAN HEAD 1/4-20x3/4 ASSY
(x104) | 1/4-20x3/4 ASSY



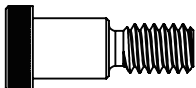
H101101 | TORX PAN HEAD
(x1) | 1/4-20x3/4" BLK



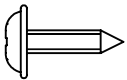
H101126 | TORX PAN HEAD
(x4) | 1/4-20x2 1/8" BLK



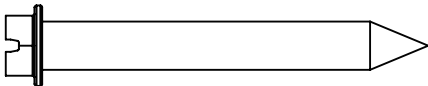
H101187 | BOLT PPH
(x1) | 8-32x1 1/8" BLK



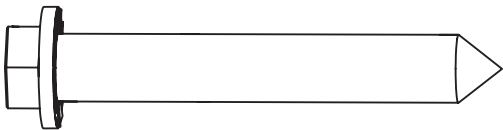
H101189 | LOW PROFILE SHOULDER BOLT
(x2) | 1/4-20x3/8" BLK



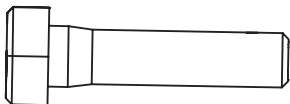
H100408 | SCREW PWH
(x68) | 8x1/2 BLK



H101305 | CONCRETE ANCHOR
(x8) |



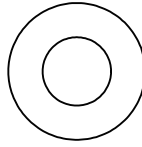
H101165 | CONCRETE ANCHOR
(x9) | 3/8x3" BLK



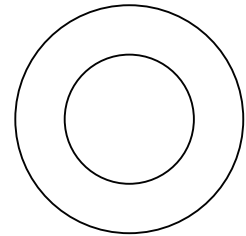
H100481 | BOLT HEX
(x8) | 5/16x1 1/4 BLK



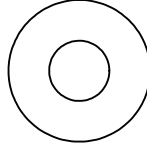
H101230 | BOLT WH
(x8) | 5/16x6 S.S



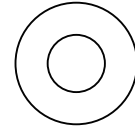
H100474 | WASHER FLAT
(x5) | 9x19 BLK



H100497 | WASHER FLAT
(x9) | 17x30 BLK



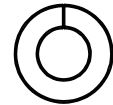
H100630 | WASHER FLAT
(x8) | 8x19 BLK



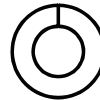
H101316 | WASHER FLAT
(x8) | 8.5x30 BLK



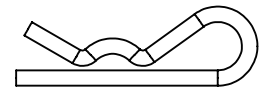
H100653 | NUT LOCK
(x2) | 1/4 BLK



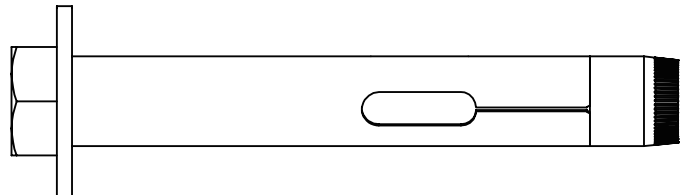
H100477 | WASHER SPLIT
(x8) | 5/16 BLK



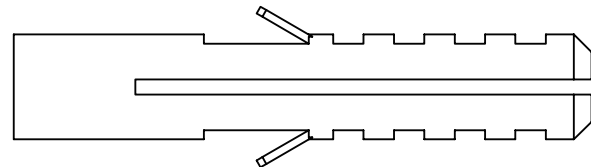
H100774 | WASHER SPLIT
(x1) | 1/4 BLK



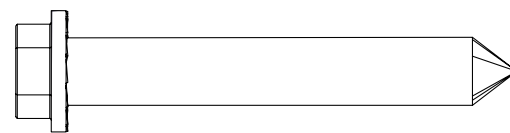
H101161 | COTTER PIN
(x34) |



H101313 | EXPANSION ANCHOR
(x9) |



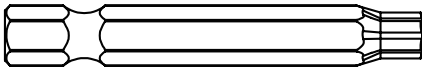
H101311 | PLASTIC ANCHOR
(x9) | 3/8



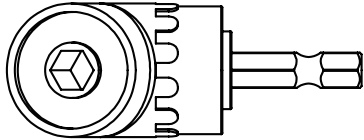
H101310 | LAG HEX BLK
(x9) | 3/8x3

OWNER'S MANUAL - PARTS IDENTIFICATION

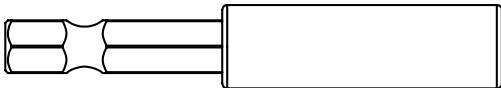
HARDWARE COMPONENTS



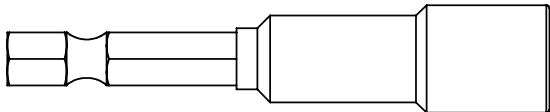
H100147 | TORX BIT
(x1) | T-30



**H101114 | RIGHT ANGLE
(x1) | DRILL ADAPTER**



H101100 | MAGNETIC DRIVER
(x1)



H101106 | SOCKET DRIVER
(x1)



H100114 | TORX BIT
(x1) | T-30

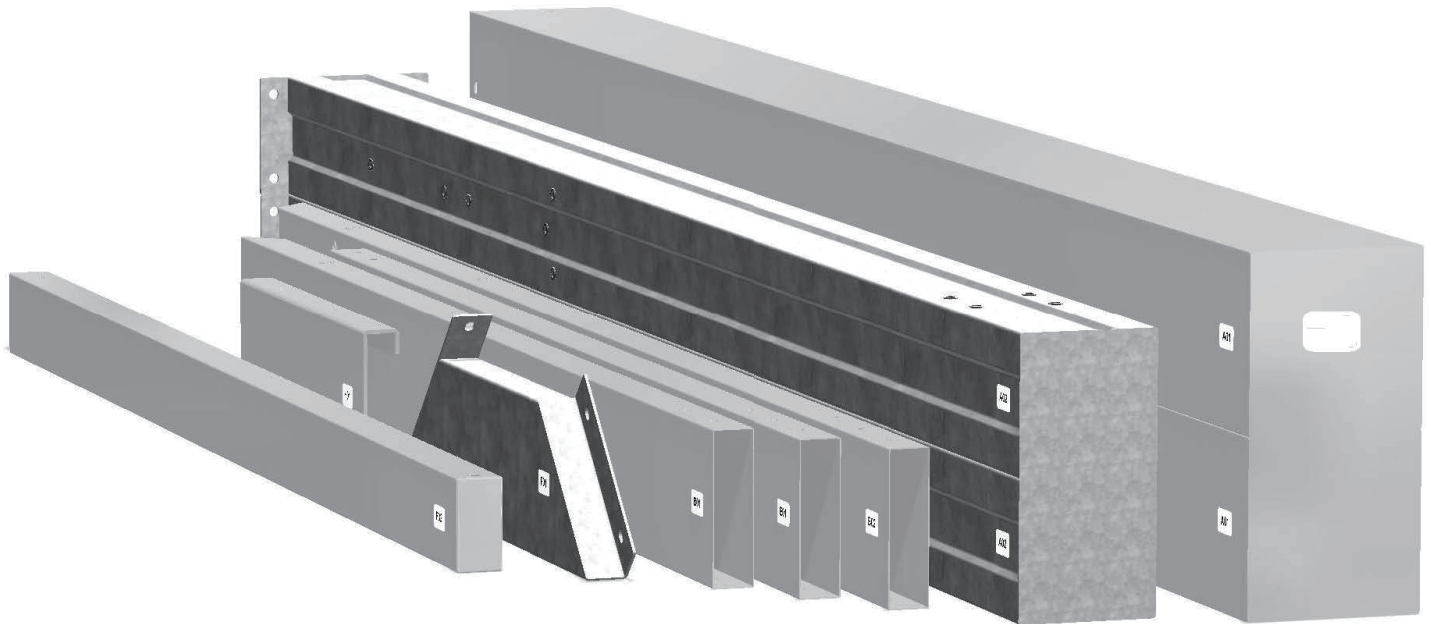
PRE-ASSEMBLY STEP 1 - SORTING PARTS

It is critical for ease of assembly that you take the time to sort and organize the parts and hardware.

METAL PARTS:

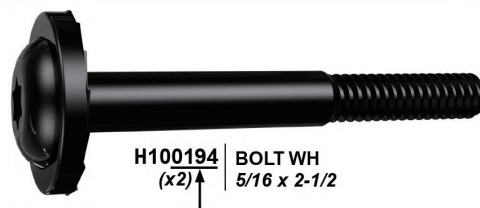
- Organize metal parts by the three-digit, alpha-numeric number stamped on each part (ex. P01).
- If there are multiple parts with the same stamped number, stack those pieces together.
- Stamps can be found on the flat surface of the parts or on the end of the parts.
- Allow yourself plenty of room - the parts can take up a significant amount of space.

**NOTE: CARTONS ARE NOT ORGANIZED BY PART NUMBER.
IT IS RECOMMENDED TO LEAVE LOUVER ASSEMBLIES IN BOX UNTIL NEEDED.**



HARDWARE PARTS:

- We recommend that you have a separate table to organize the hardware.
- Hardware bags are printed with a seven-digit, alpha-numeric part number.
- You can organize your hardware by part number or group by hardware type (e.g. bolts, nuts, etc.).
- During assembly you only need to reference the last four digits of the number.



PRE-ASSEMBLY STEP 2 - TOOLS REQUIRED



Cordless Drill or
Electric Drill



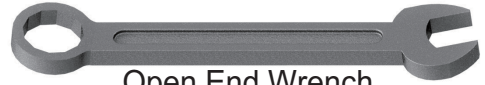
Drill Attachments:
Phillips Head



1/8", 3/16", 3/8" &
7/16" Drill Bits



Phillips Screw Driver



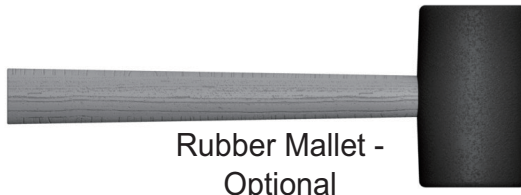
Open End Wrench
7/16"



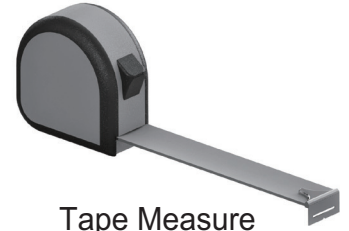
3/8" Drive Ratchet, 1/2" &
7/16" STD Sockets 1/2" & 7/16"
Deep Sockets



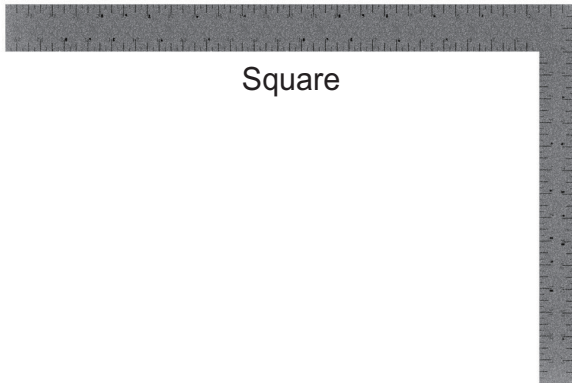
Claw Hammer



Rubber Mallet -
Optional



Tape Measure



Square

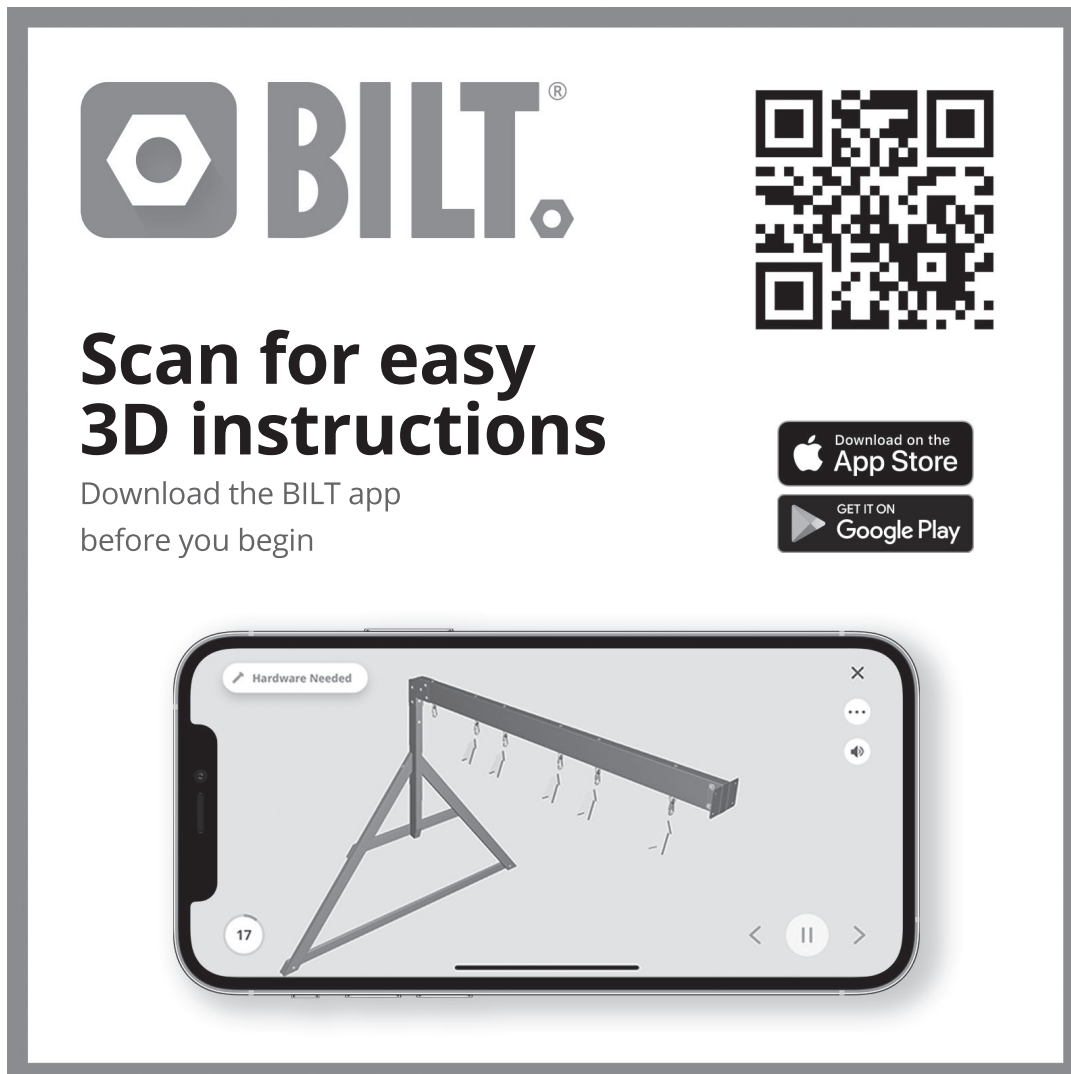


Level 24"

PRE-ASSEMBLY STEP 3 - CHOOSE YOUR ASSEMBLY METHOD

There are several types of assembly instructions available to you.

1. Printed Assembly Manual included with your set
2. BILT APP - 3D interactive instructions
3. Combination of the Printed Manual and BILT APP (Note: Step numbers can differ between the two methods)



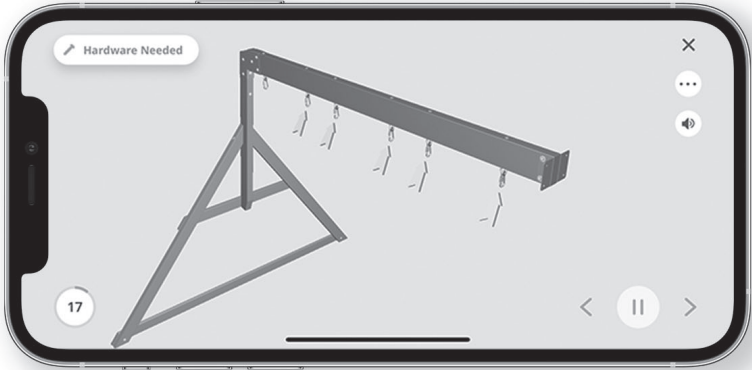
BILT.[®]

Scan for easy
3D instructions

Download the BILT app
before you begin

Download on the
App Store

GET IT ON
Google Play



Hardware Needed

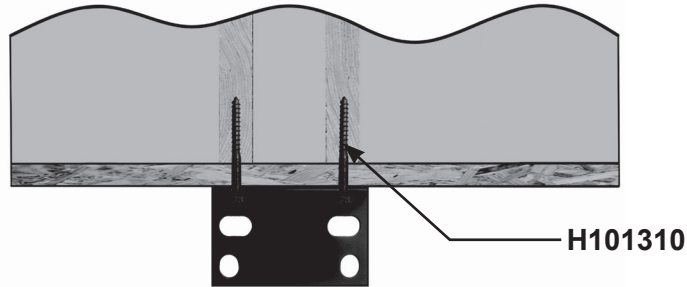
17

< || >

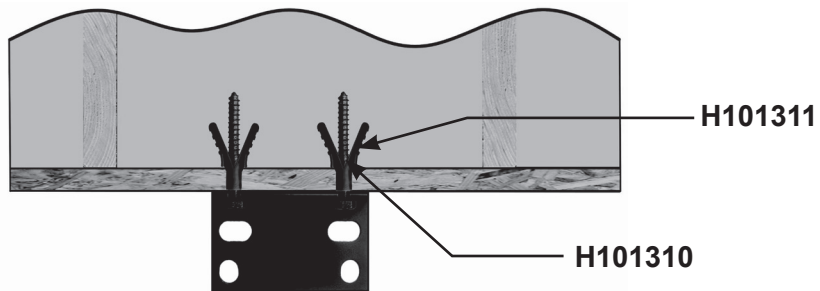
The image is a promotional graphic for the BILT app. It features the BILT logo (a hexagon with a dot inside) and the text 'BILT.' with a registered trademark symbol. To the right is a large QR code. Below the logo, the text reads 'Scan for easy 3D instructions' and 'Download the BILT app before you begin'. There are two buttons for downloading the app: 'Download on the App Store' and 'GET IT ON Google Play'. At the bottom, a smartphone screen displays a 3D assembly instruction for a step numbered '17'. The screen shows a metal frame with a horizontal bar and several hanging components. The interface includes a 'Hardware Needed' button, a close button (X), a menu button (three dots), a volume icon, and navigation arrows (back, play/pause, forward).

OWNER'S MANUAL - WALL ATTACHMENT TYPES

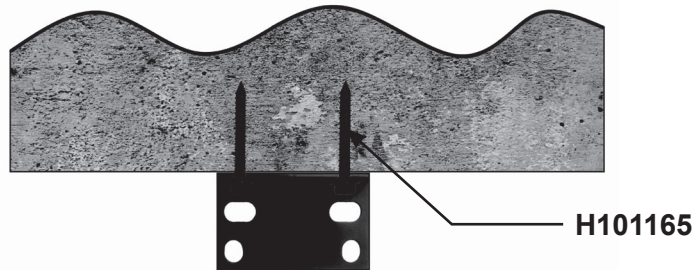
Determine which wall attachment type works best for your application. If unknown consult a licensed contractor. The recommended hardware below is provided. Backyard Discovery does not assume responsibility for any damages to your house.



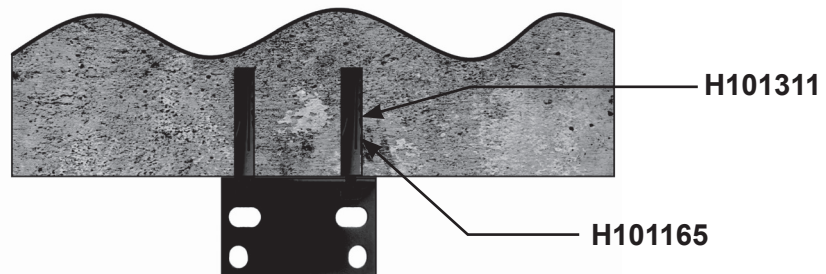
ATTACHING TO WALL WITH LAG SCREWS



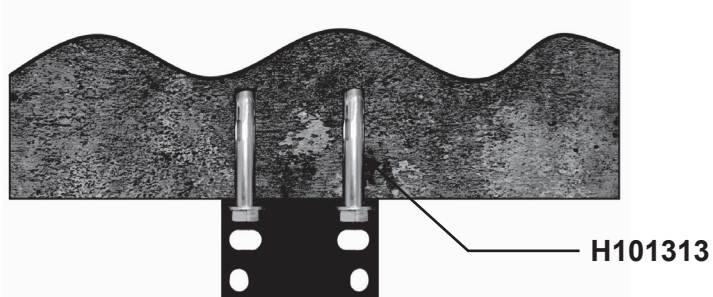
ATTACHING TO WALL WITH LAGS USING PLASTIC ANCHORS



ATTACHING TO MASONRY WITH CONCRETE ANCHORS



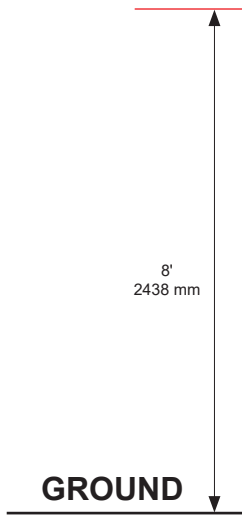
ATTACHING TO MASONRY WITH CONCRETE ANCHORS USING PLASTIC ANCHORS



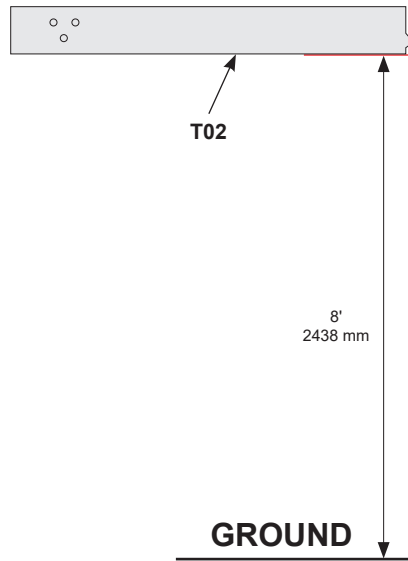
ATTACHING TO MASONRY WITH EXPANSION ANCHORS

STEP 1 - WALL BRACKET LOCATION LAYOUT

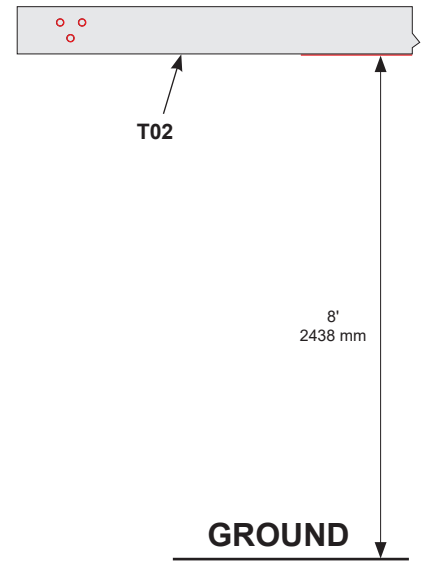
1. DRAW A STRAIGHT LINE
8' 0" [2438 mm] OFF THE GROUND.



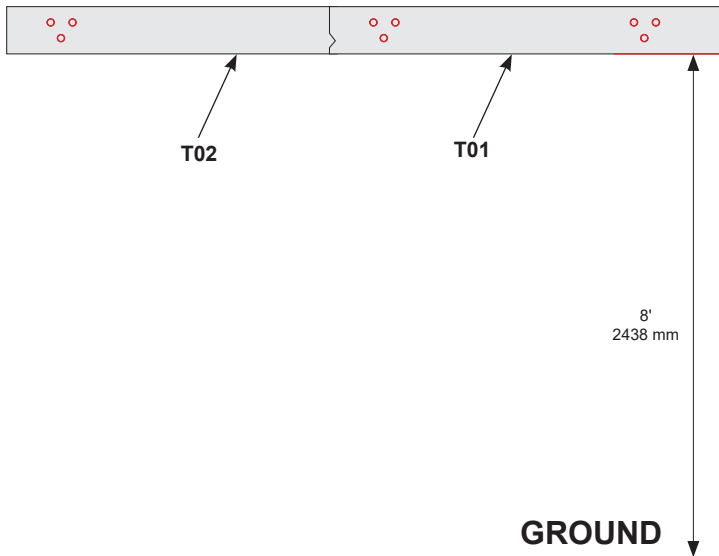
2. ALIGN THE BOTTOM OF T02 WITH THE
STRAIGHT LINE AND KEEP IT LEVEL BY
USING A 24" LEVEL.



3. DRAW 3 CIRCLES ACCORDING TO HOLES
IN T02.



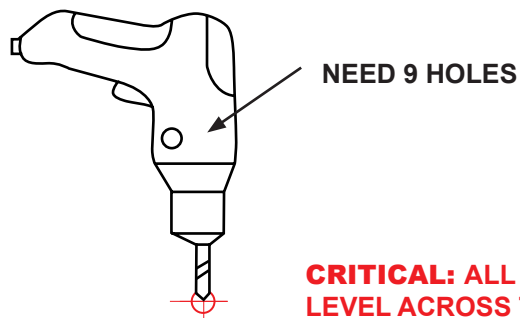
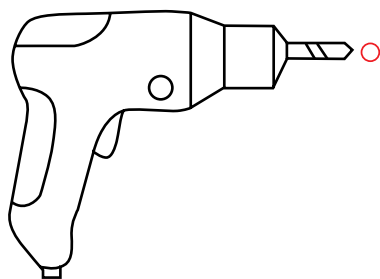
4. ALIGN T01 WITH T02 AND KEEP T01 LEVEL BY USING A 24"
LEVEL.



5. DRAW 6 CIRCLES ACCORDING TO HOLES IN T01.

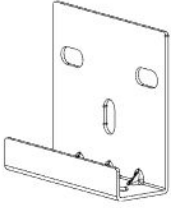


6. DRILL INTO THE WALL AT THE CENTER OF EACH CIRCLE. DRILL SIZE DETAILS ARE OUTLINED IN STEP 2A-E, DEPENDING ON WHAT ANCHORS YOU ARE USING.

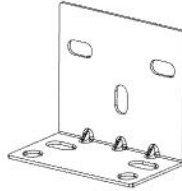


**CRITICAL: ALL HOLES MUST BE
LEVEL ACROSS THE 3 BRACKETS.**

STEP 2A - WALL BRACKET INSTALLATION USING CONCRETE ANCHORS



K03 WALL BRACKET - A4M03482
(x1) 2 11/16"x5 3/16"x6" (69x131x152)



K04 WALL BRACKET - A4M03483
(x2) 3 15/16"x5 1/8"x6" (99x131x152)

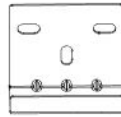
Qty	PartNo	Description
9	H101165	CONCRETE ANCHOR 3/8"x3" BLK
9	H100497	WASHER FLAT 17x30 BLK

- DRILL 9 $\Phi 5/16"$ /8mm HOLES IN THE WALL ACCORDING TO LAYOUT IN STEP 1.
- INSTALL WALL BRACKETS WITH CONCRETE ANCHORS.
- THE INSTALLATION HEIGHT OF WALL BRACKETS WILL BE A LITTLE HIGHER THAN THE HEIGHT OF P02 (POST), SO THE TOP HAS A SLIGHT ANGLE TO FACILITATE DRAINAGE.
- REPEAT THIS STEP TWO TIMES.

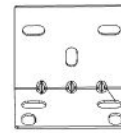
BRACKET LAYOUT



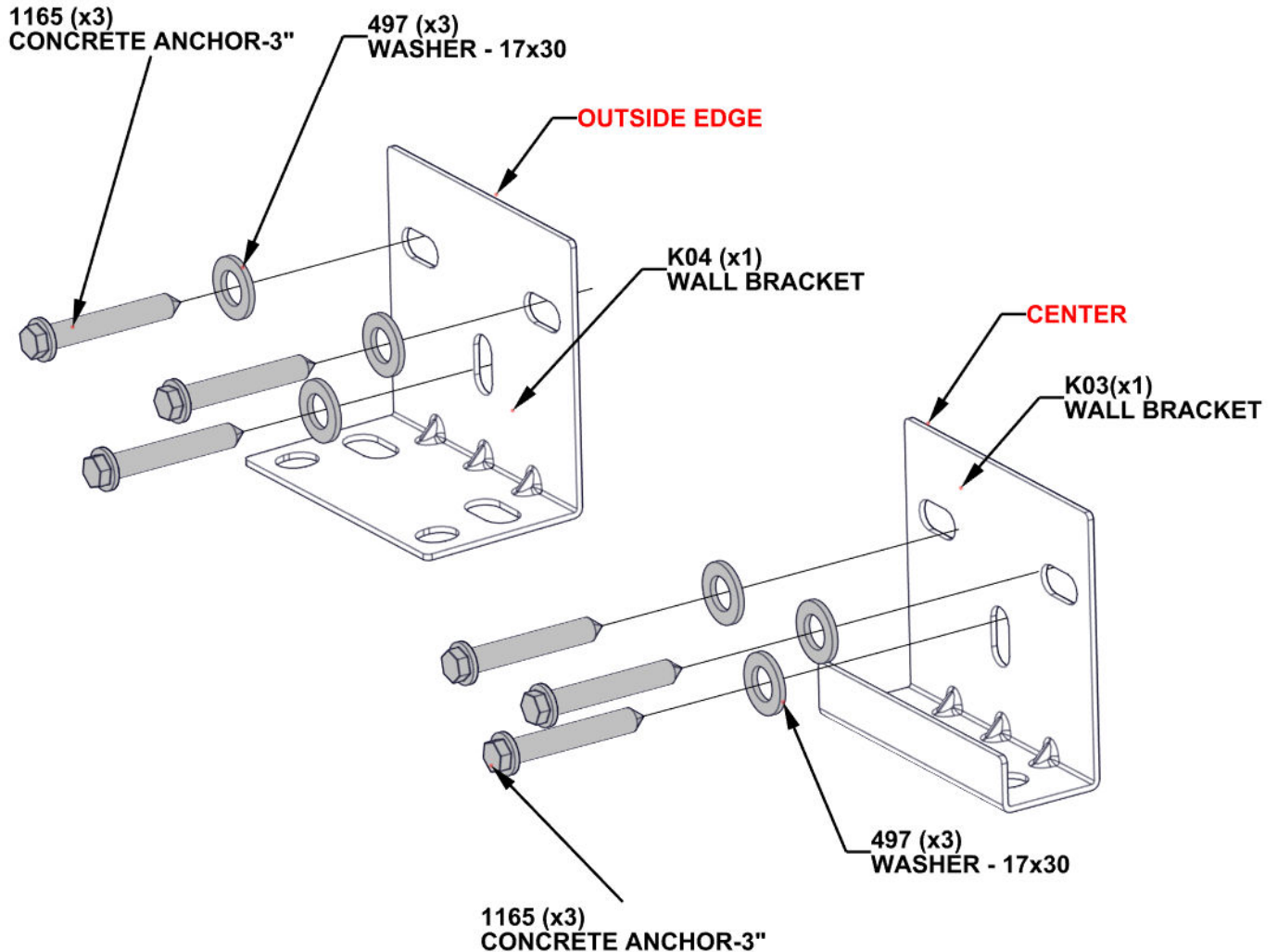
K04



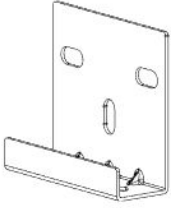
K03



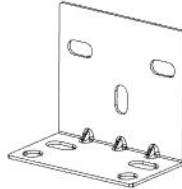
K04



STEP 2B - WALL BRACKET INSTALLATION USING CONCRETE ANCHORS AND PLASTIC ANCHORS



K03 WALL BRACKET - A4M03482
(x1) 2 11/16"x5 3/16"x6" (69x131x152)

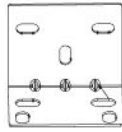


K04 WALL BRACKET - A4M03483
(x2) 3 15/16"x5 1/8"x6" (99x131x152)

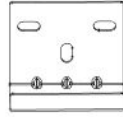
Qty	PartNo	Description
9	H101165	CONCRETE ANCHOR 3/8"x3" BLK
9	H101311	PLASTIC ANCHOR
9	H100497	WASHER FLAT 17x30 BLK

- DRILL 9 Φ 1/2"/12mm HOLES IN THE WALL ACCORDING TO LAYOUT IN STEP 1.
- INSTALL WALL BRACKETS WITH PLASTIC ANCHORS AND CONCRETE ANCHORS.
- THE INSTALLATION HEIGHT OF WALL BRACKETS WILL BE A LITTLE HIGHER THAN THE HEIGHT OF P02 (POST), SO THE TOP HAS A SLIGHT ANGLE TO FACILITATE DRAINAGE.
- REPEAT THIS STEP TWO TIMES.

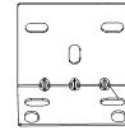
BRACKET LAYOUT



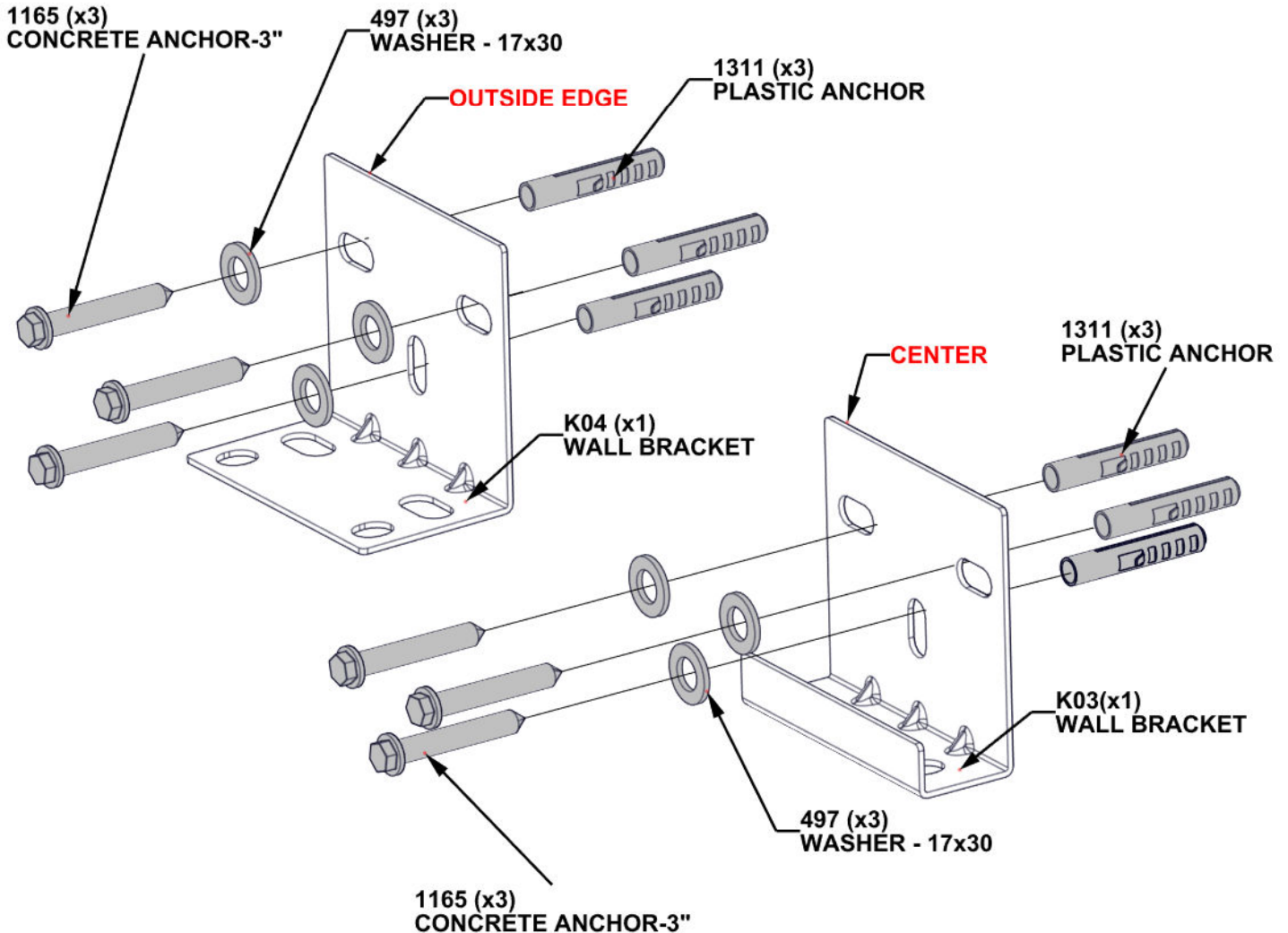
K04



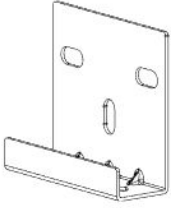
K03



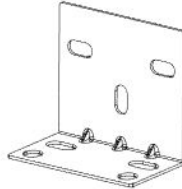
K04



STEP 2C - WALL BRACKET INSTALLATION USING LAG SCREWS



K03 WALL BRACKET - A4M03482
(x1) 2 11/16"x5 3/16"x6" (69x131x152)

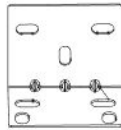


K04 WALL BRACKET - A4M03483
(x2) 3 15/16"x5 1/8"x6" (99x131x152)

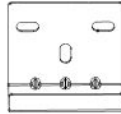
Qty	PartNo	Description
9	H101310	LAG BOLT HEX 3/8 X 3
9	H100497	WASHER FLAT 17x30 BLK

- DRILL 9 Φ 1/4"/7mm HOLES IN THE WALL ACCORDING TO LAYOUT IN STEP 1.
- INSTALL WALL BRACKETS WITH LAG SCREWS.
- THE INSTALLATION HEIGHT OF WALL BRACKETS WILL BE A LITTLE HIGHER THAN THE HEIGHT OF P02 (POST), SO THE TOP HAS A SLIGHT ANGLE TO FACILITATE DRAINAGE.
- REPEAT THIS STEP TWO TIMES.

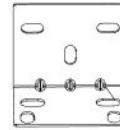
BRACKET LAYOUT



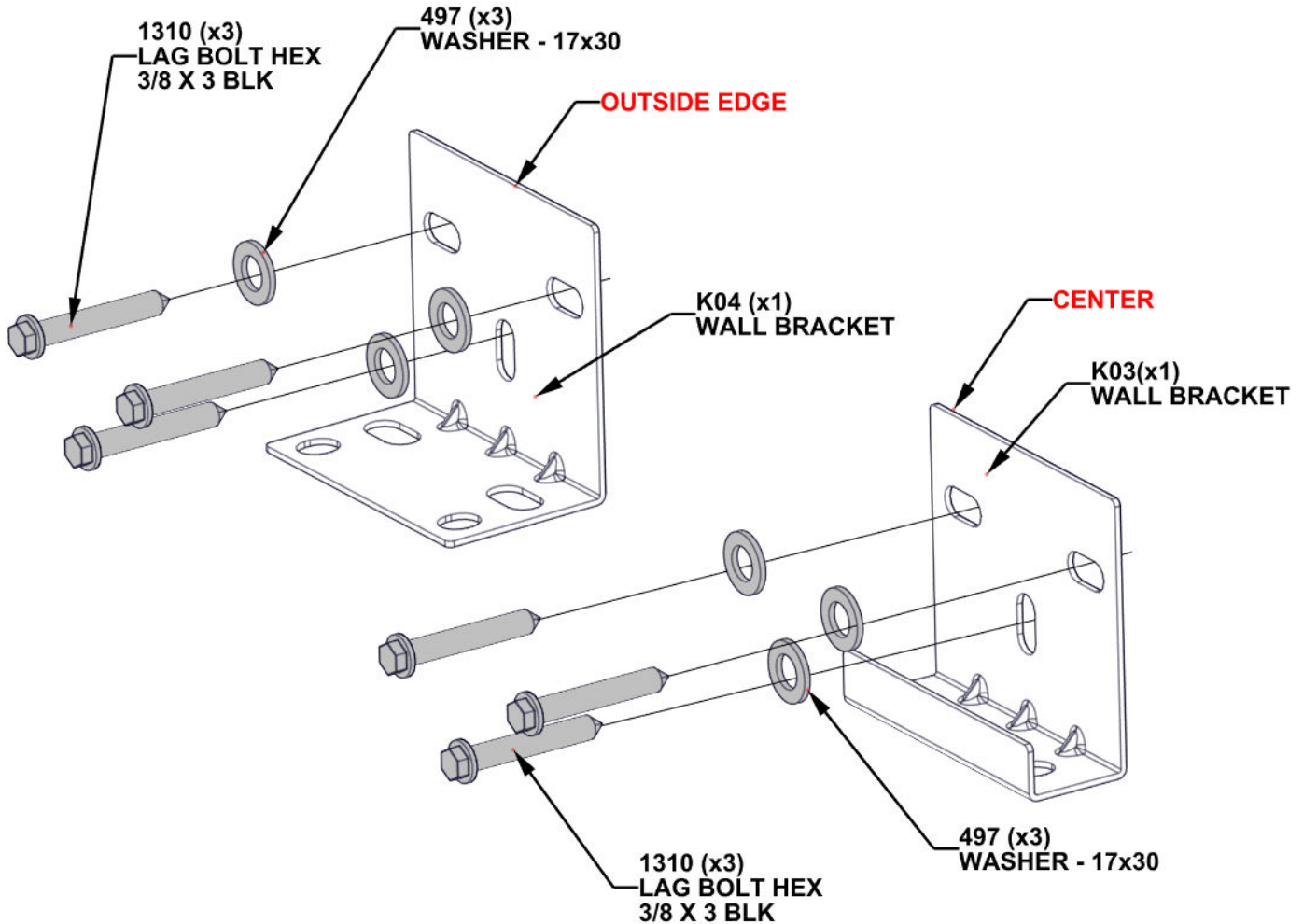
K04



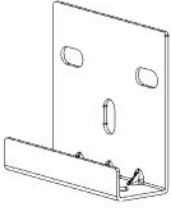
K03



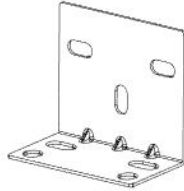
K04



STEP 2D - WALL BRACKET INSTALLATION USING LAG SCREWS AND PLASTIC ANCHORS



K03 WALL BRACKET - A4M03482
(x1) 2 11/16"x5 3/16"x6" (69x131x152)



K04 WALL BRACKET - A4M03483
(x2) 3 15/16"x5 1/8"x6" (99x131x152)

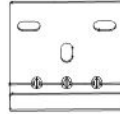
Qty	PartNo	Description
9	H101310	LAG BOLT HEX 3/8 X 3
9	H101311	PLASTIC ANCHOR
9	H100497	WASHER FLAT 17x30 BLK

- DRILL 9 Φ 1/2"/12mm HOLES IN THE WALL ACCORDING TO LAYOUT IN STEP 1.
- INSTALL WALL BRACKETS WITH PLASTIC ANCHORS AND LAG SCREWS.
- THE INSTALLATION HEIGHT OF WALL BRACKETS WILL BE A LITTLE HIGHER THAN THE HEIGHT OF P02 (POST), SO THE TOP HAS A SLIGHT ANGLE TO FACILITATE DRAINAGE.
- REPEAT THIS STEP TWO TIMES.

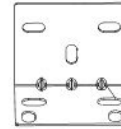
BRACKET LAYOUT



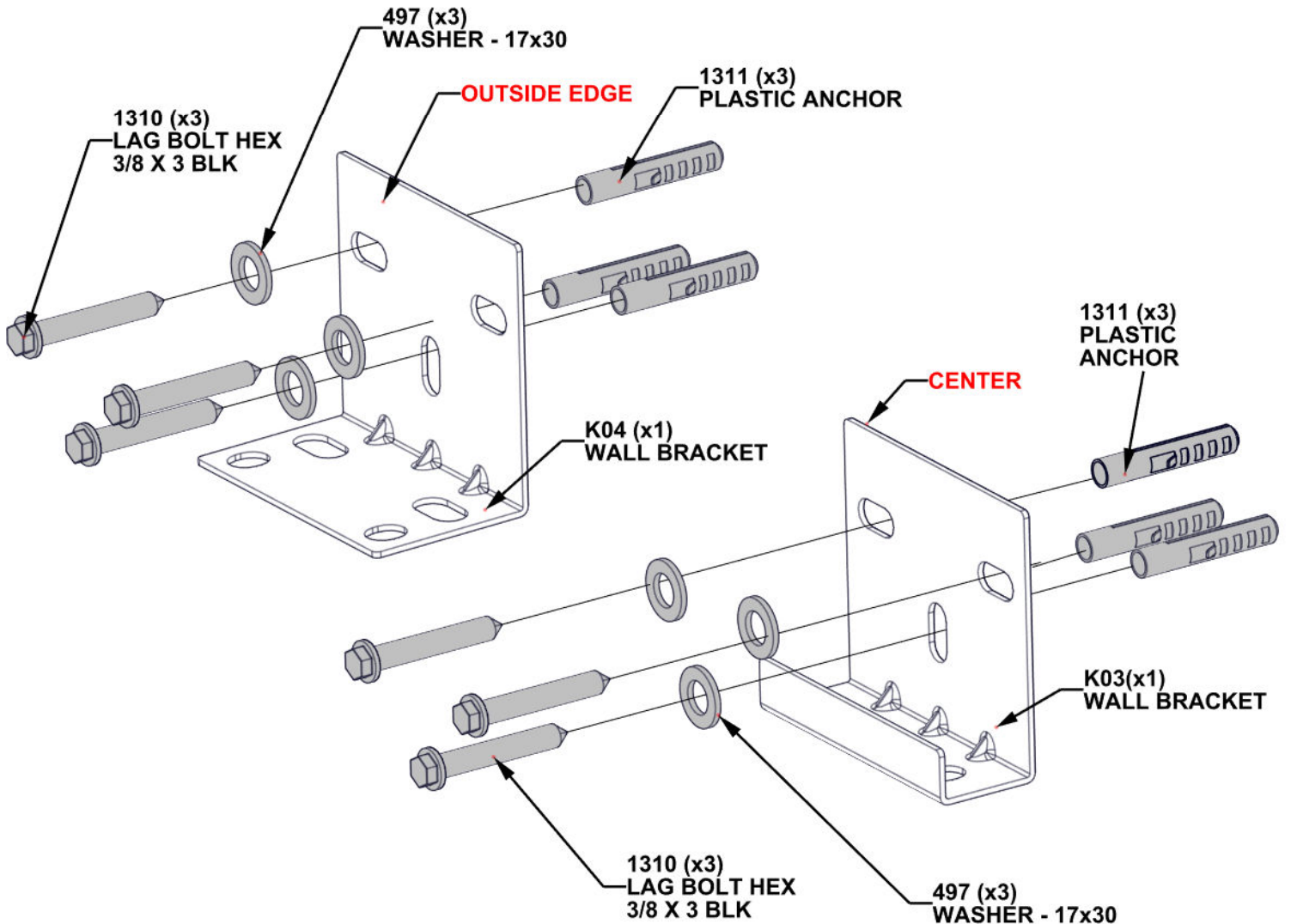
K04



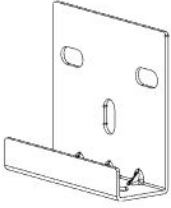
K03



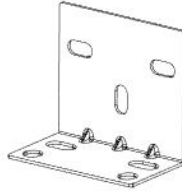
K04



STEP 2E - WALL BRACKET INSTALLATION USING EXPANSION ANCHORS



K03 WALL BRACKET - A4M03482
(x1) 2 11/16"x5 3/16"x6" (69x131x152)

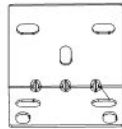


K04 WALL BRACKET - A4M03483
(x2) 3 15/16"x5 1/8"x6" (99x131x152)

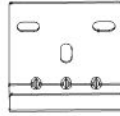
Qty	PartNo	Description
9	H101313	EXPANSION ANCHOR
9	H100497	WASHER FLAT 17x30 BLK

- DRILL 9 $\Phi 3/8$ "/10mm HOLES IN THE WALL ACCORDING TO LAYOUT IN STEP 1.
- INSTALL WALL BRACKETS WITH EXPANSION ANCHORS.
- THE INSTALLATION HEIGHT OF WALL BRACKETS WILL BE A LITTLE HIGHER THAN THE HEIGHT OF P02 (POST), SO THE TOP HAS A SLIGHT ANGLE TO FACILITATE DRAINAGE.
- REPEAT THIS STEP TWO TIMES.

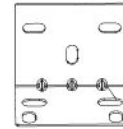
BRACKET LAYOUT



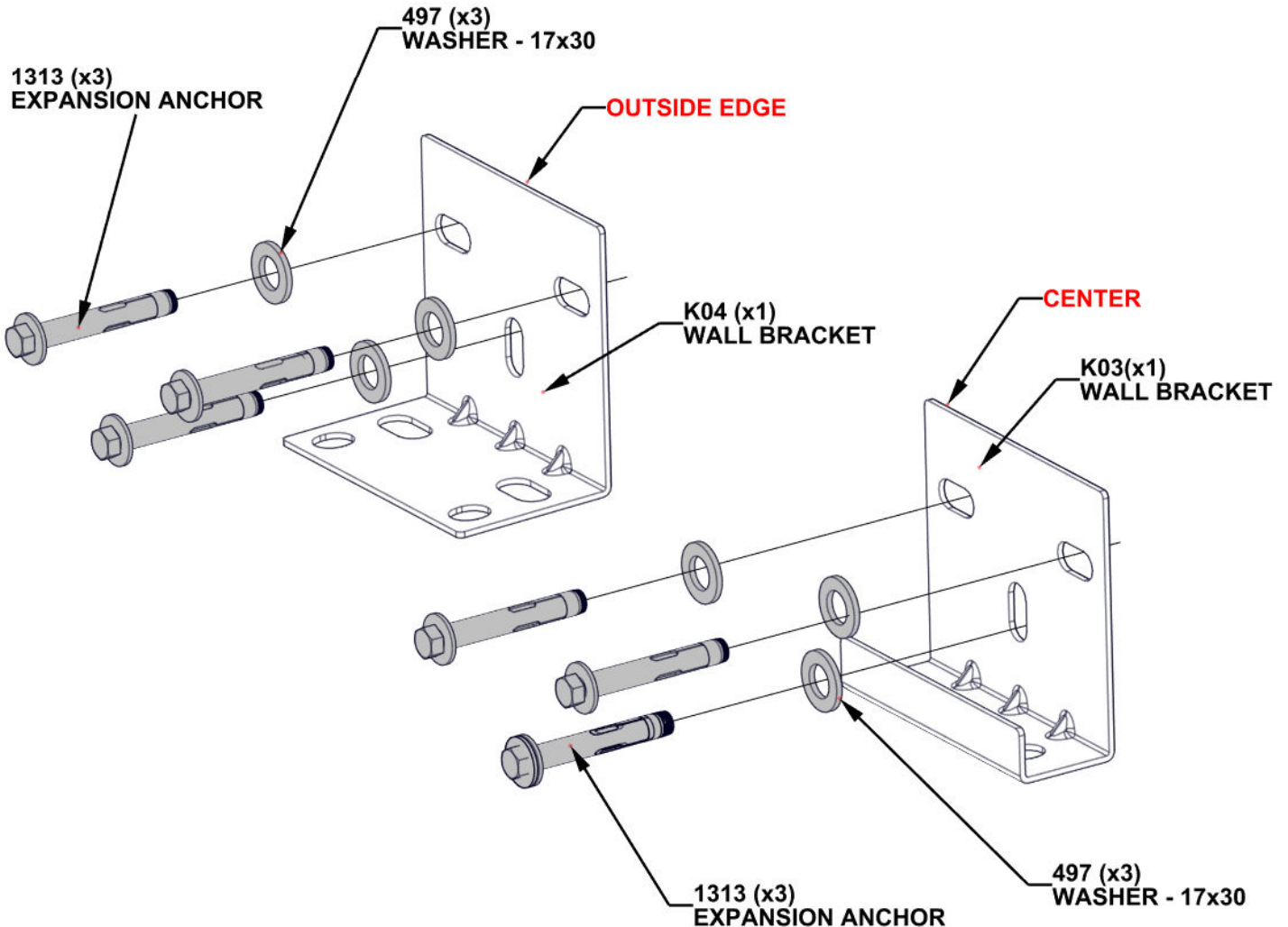
K04



K03

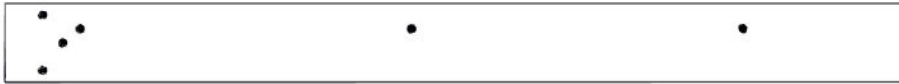


K04

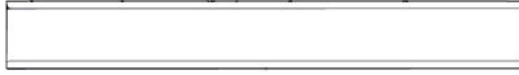


STEP 3A - REAR BEAM ASSEMBLY

Qty	PartNo	Description
3	H101202	TORX PAN HEAD 1/4-20x3/4 ASSY

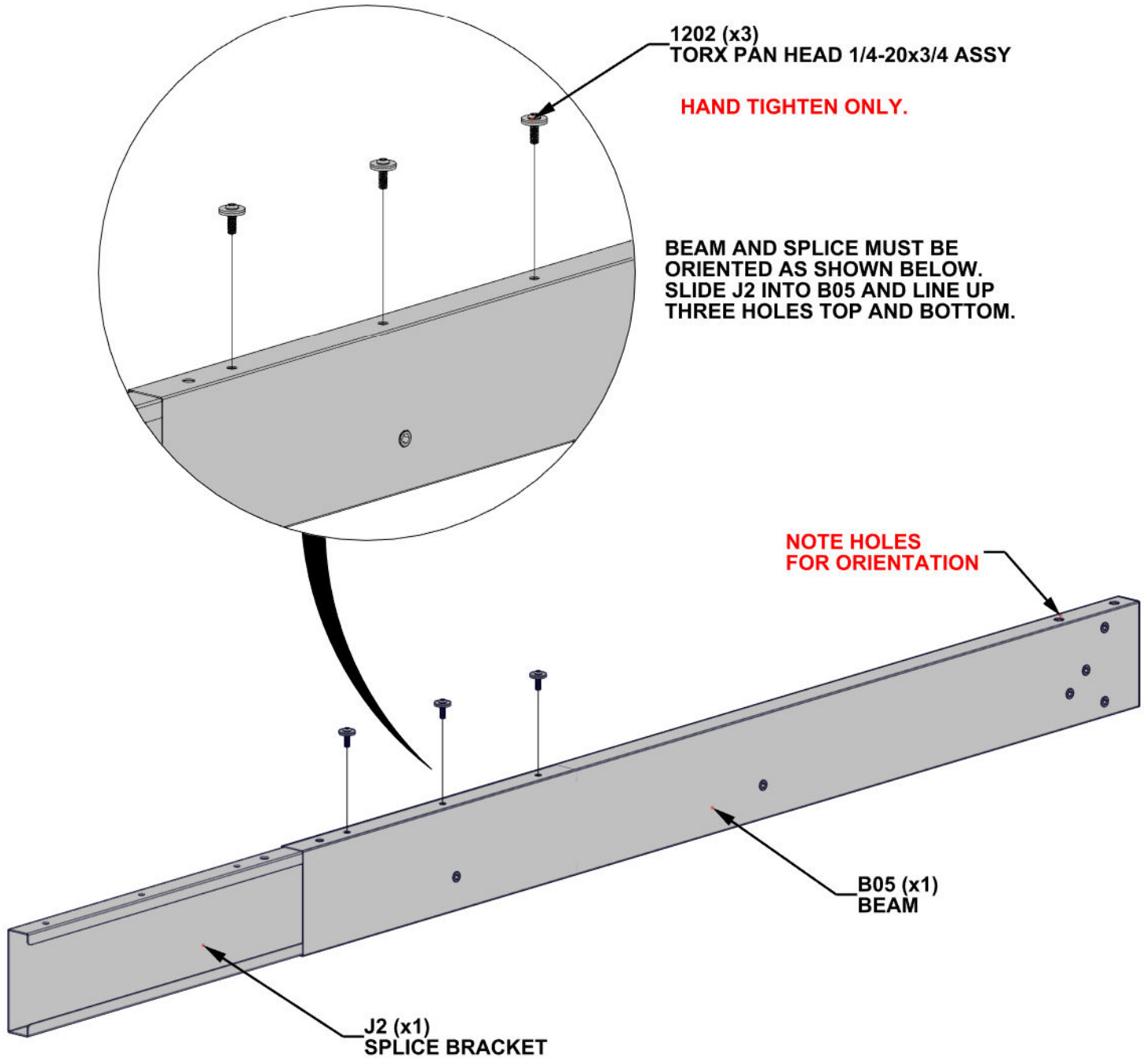


B05 BEAM - A4M04118
(x1) 1 7/16"x5 1/4"x"60 1/8" (36x134x1527)



J2 SPLICE BRACKET - A4M03498
(x1) 1 5/16"x5 3/16"x39 3/8" (33.2x131.2x1000)

- FOR EASE OF ASSEMBLY, WE RECOMMEND USING SAWHORSES FOR STEPS 3A - 7.



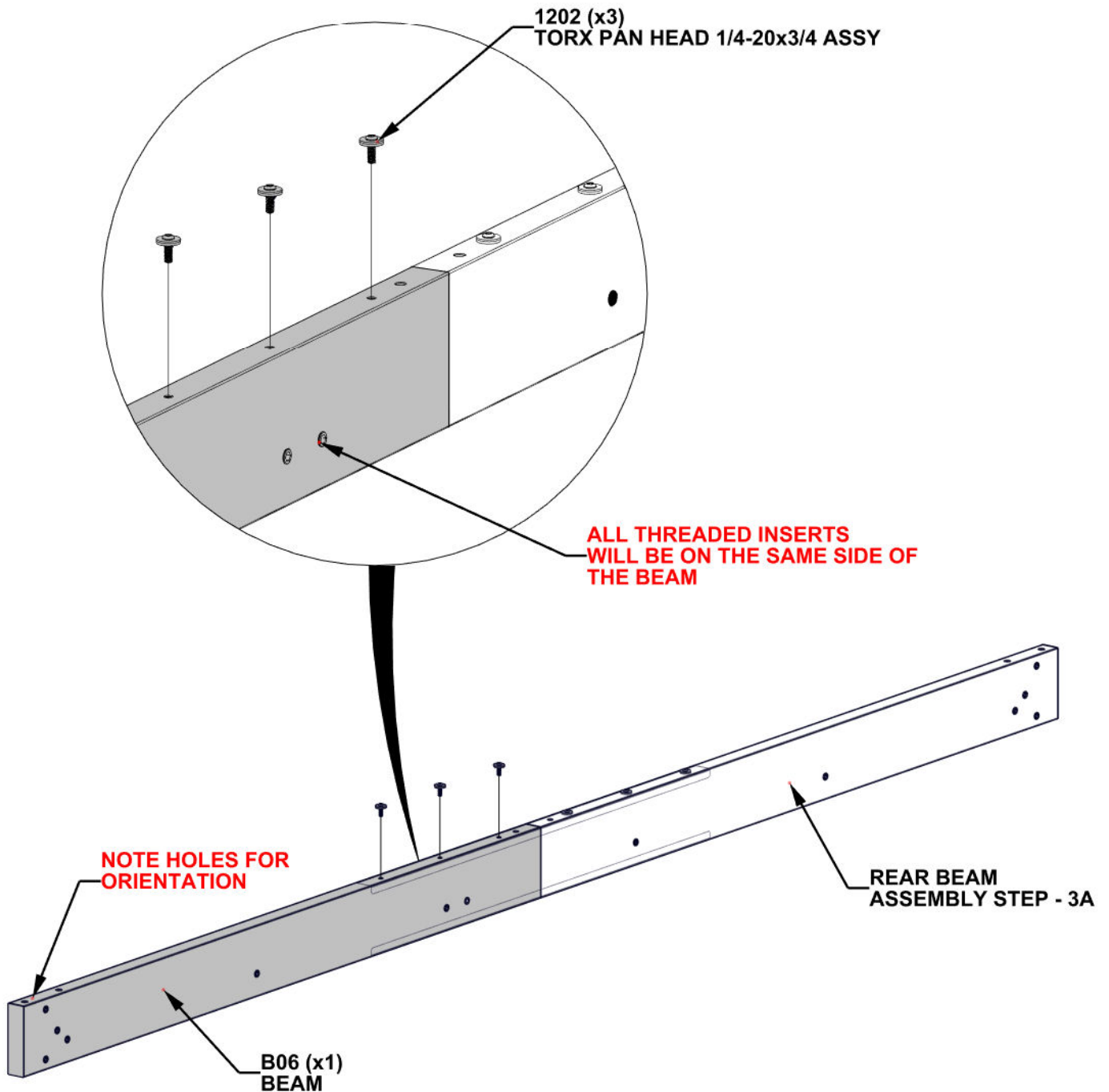
STEP 3B - REAR BEAM ASSEMBLY

Qty	PartNo	Description
3	H101202	TORX PAN HEAD 1/4-20x3/4 ASSY



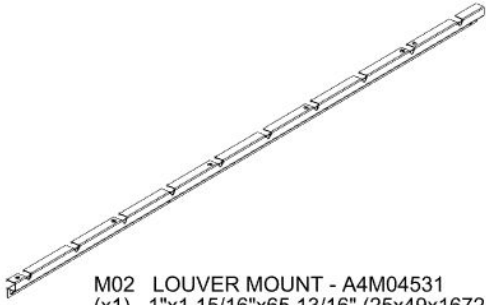
B06 BEAM - A4M04124
(x1) 1 7/16"x5 1/4"x60 1/8" (36x134x1527)

- SLIDE B06 ONTO SPLICE BRACKET. GENTLY TAP ENDS OF ASSEMBLY WITH RUBBER Mallet UNTIL GAP CLOSES, THEN TIGHTEN ALL BOLTS ON BEAM.



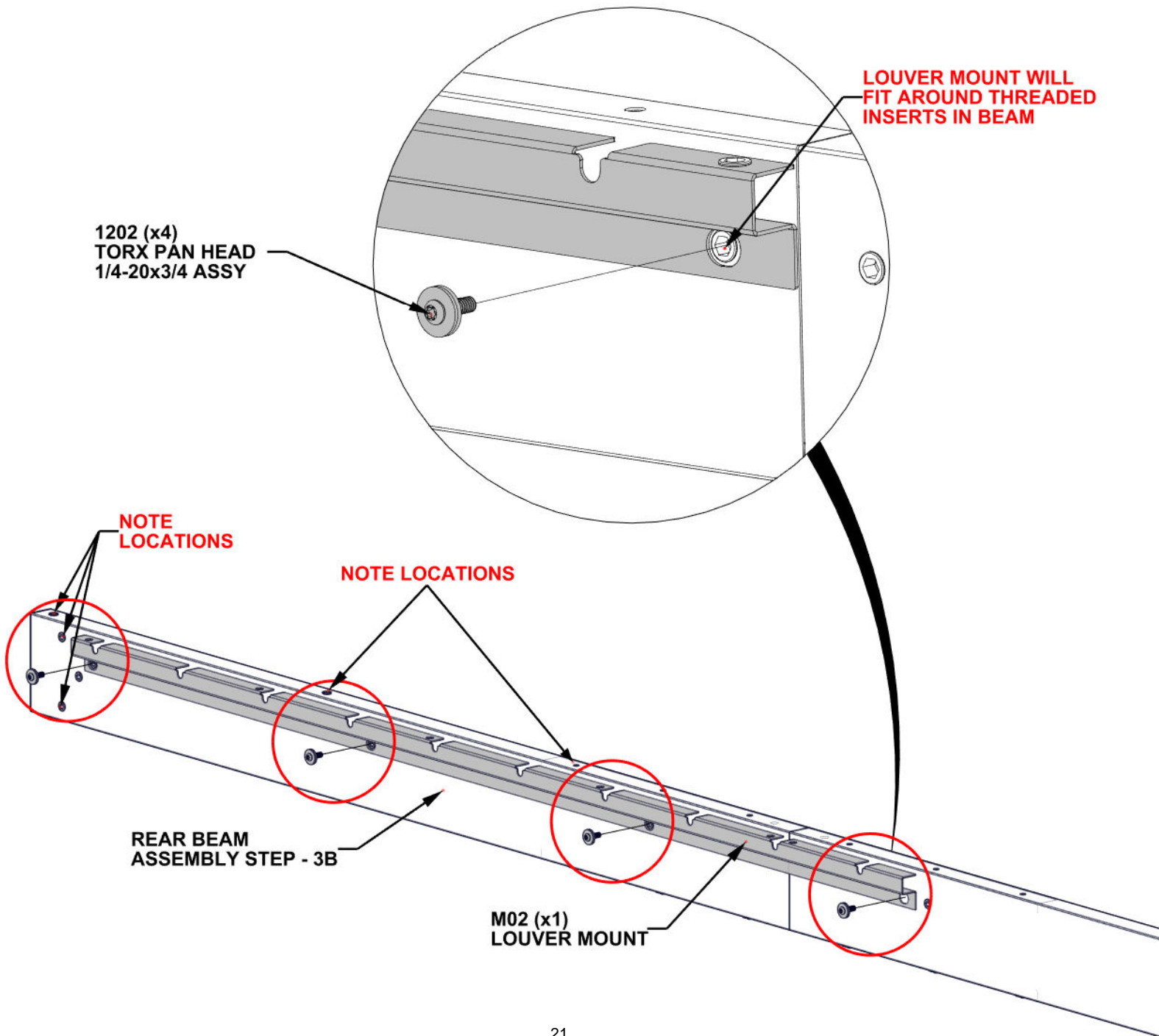
STEP 4A - REAR BEAM LOUVER MOUNT

Qty	PartNo	Description
4	H101202	TORX PAN HEAD 1/4-20x3/4 ASSY



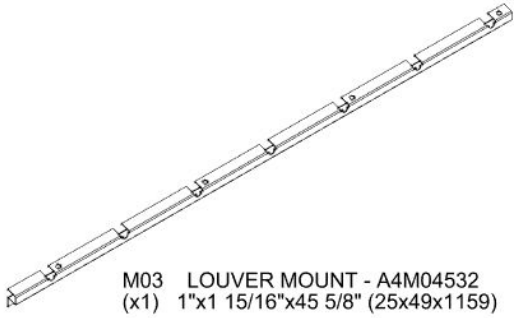
M02 LOUVER MOUNT - A4M04531
(x1) 1"x1 15/16"x65 13/16" (25x49x1672)

- HAND TIGHTEN ONLY.



STEP 4B - REAR BEAM LOUVER MOUNT

Qty	PartNo	Description
3	H101202	TORX PAN HEAD 1/4-20x3/4 ASSY



- HAND TIGHTEN ONLY.

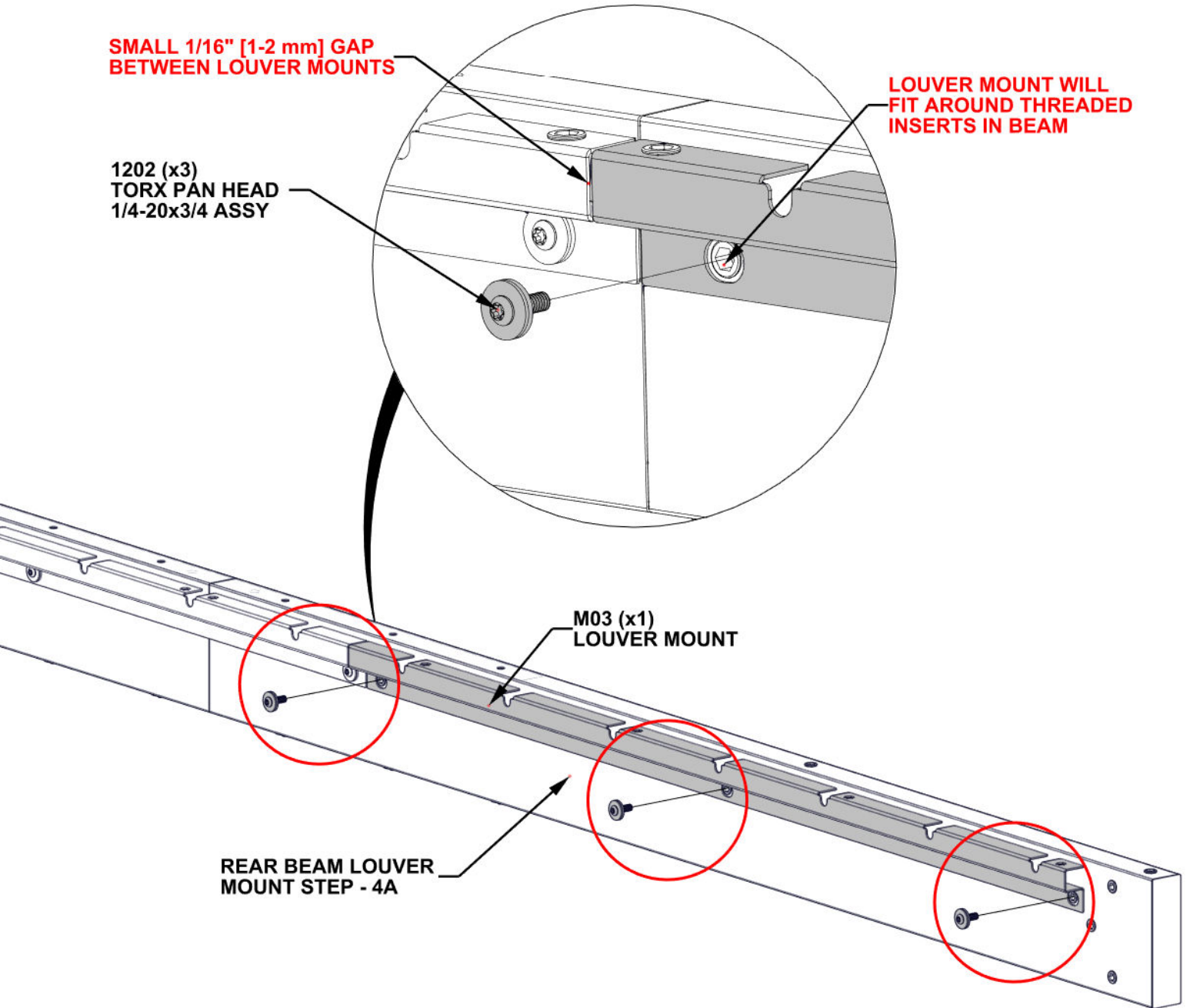
SMALL 1/16" [1-2 mm] GAP BETWEEN LOUVER MOUNTS

**1202 (x3)
TORX PAN HEAD
1/4-20x3/4 ASSY**

LOUVER MOUNT WILL FIT AROUND THREADED INSERTS IN BEAM

**M03 (x1)
LOUVER MOUNT**

**REAR BEAM LOUVER
MOUNT STEP - 4A**



STEP 5 - REAR BEAM WEATHER STRIP

Qty	PartNo	Description
10	H101202	TORX PAN HEAD 1/4-20x3/4 ASSY

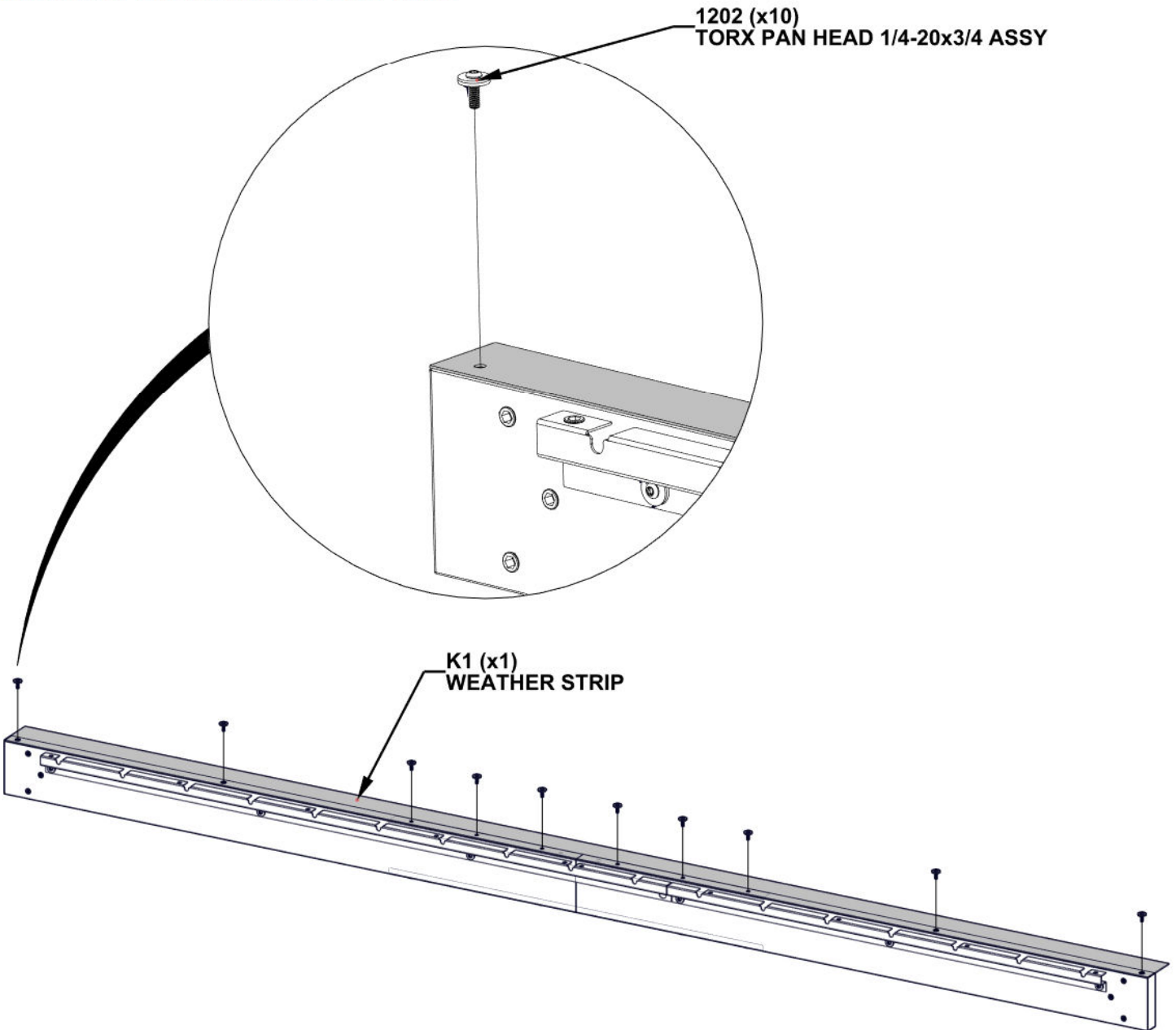


K1 WEATHER STRIP - A6P01163
(x1) 1/16"x3 15/16"x115 1/2" (1.6x100x2934)

- ALIGN SCREW HOLES.

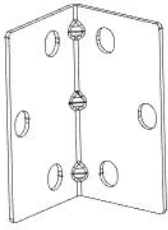
- WEATHER STRIP WILL NEED TO BE STRETCHED TO ALIGN HOLES. THIS ENSURES A TIGHT SEAL.

1202 (x10)
TORX PAN HEAD 1/4-20x3/4 ASSY



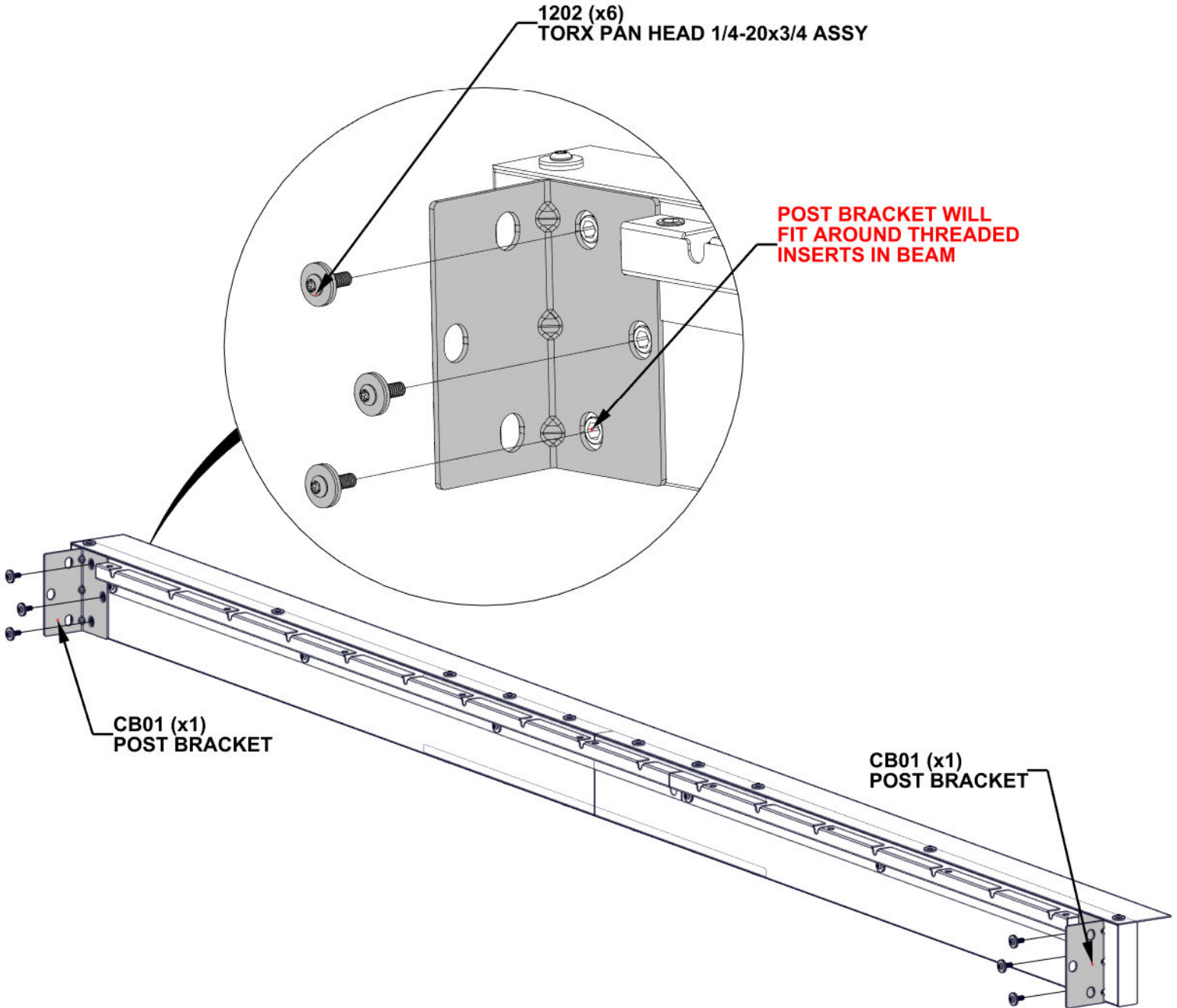
STEP 6 - REAR BEAM POST BRACKET

Qty	PartNo	Description
6	H101202	TORX PAN HEAD 1/4-20x3/4 ASSY



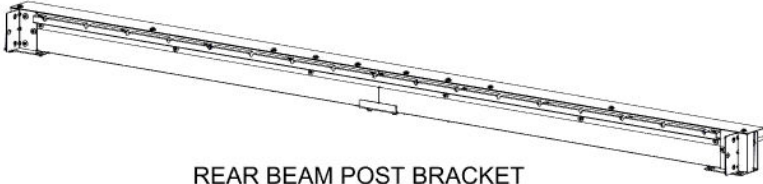
CB01 POST BRACKET - A4M04063
(x2) 2 15/16"x2 15/16"x5 1/4" (74.5x74.5x134)

- HAND TIGHTEN ONLY.



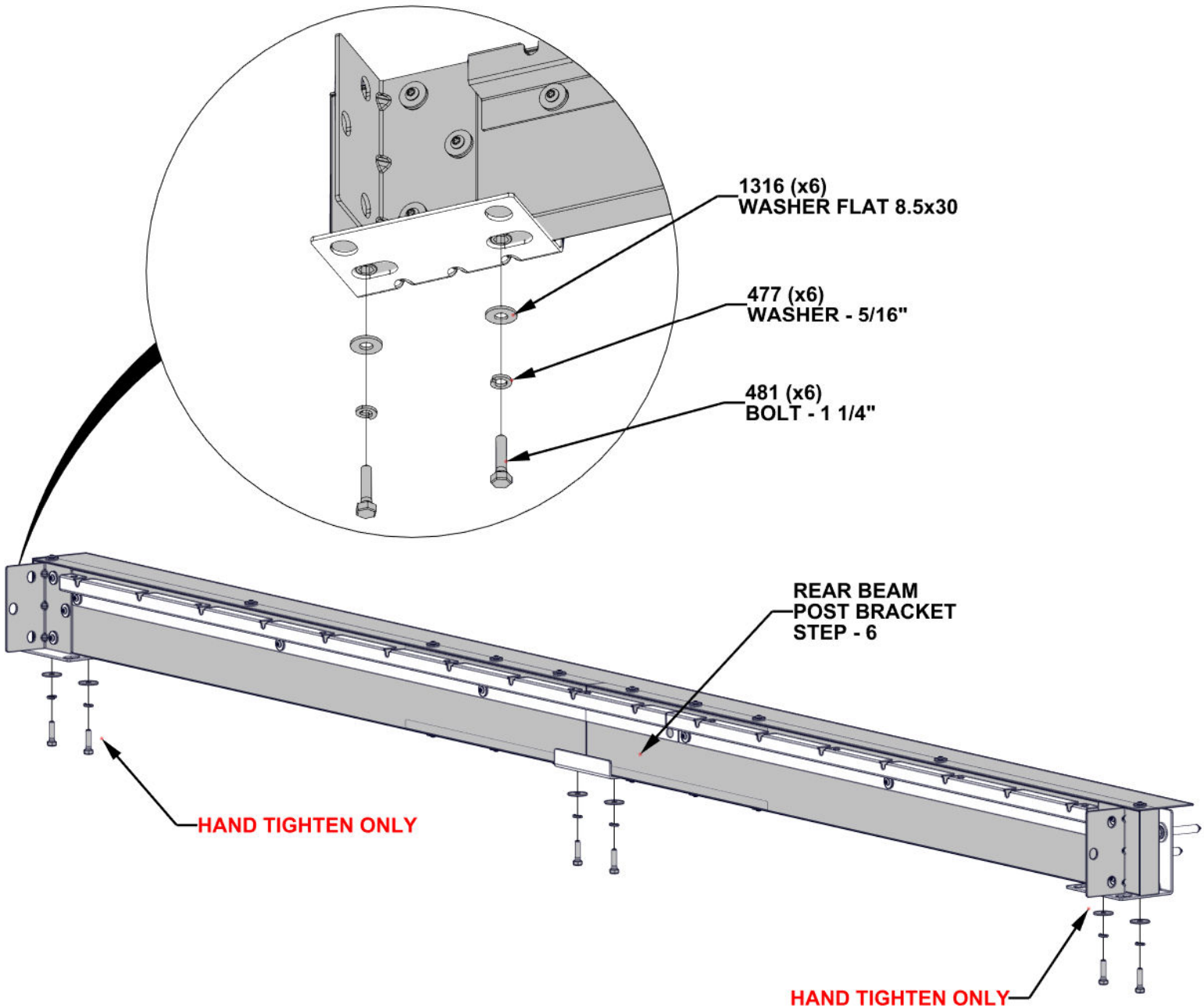
STEP 7 - REAR BEAM ASSEMBLY

Qty	PartNo	Description
6	H100481	BOLT HEX 5/16x1 1/4 BLK
6	H101316	WASHER FLAT 8.5x30 BLK
6	H100477	WASHER SPLIT 5/16 BLK



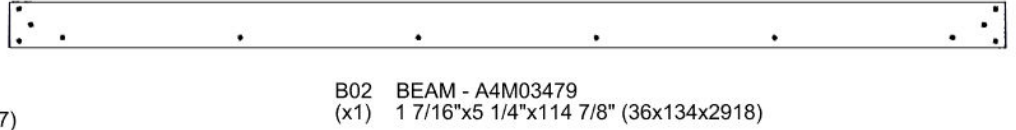
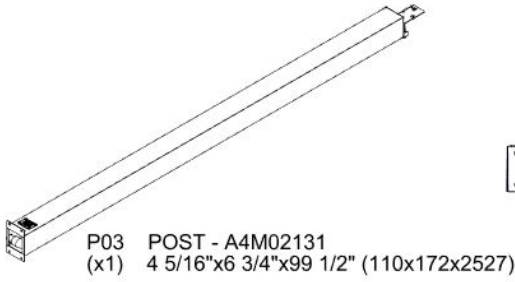
REAR BEAM POST BRACKET
STEP - 6

- WITH THE HELP OF ANOTHER ADULT, ATTACH REAR BEAM ASSEMBLY TO WALL BRACKETS.
- ALIGN SCREW HOLES.
- **TIGHTEN ALL HARDWARE FROM PREVIOUS STEPS.**

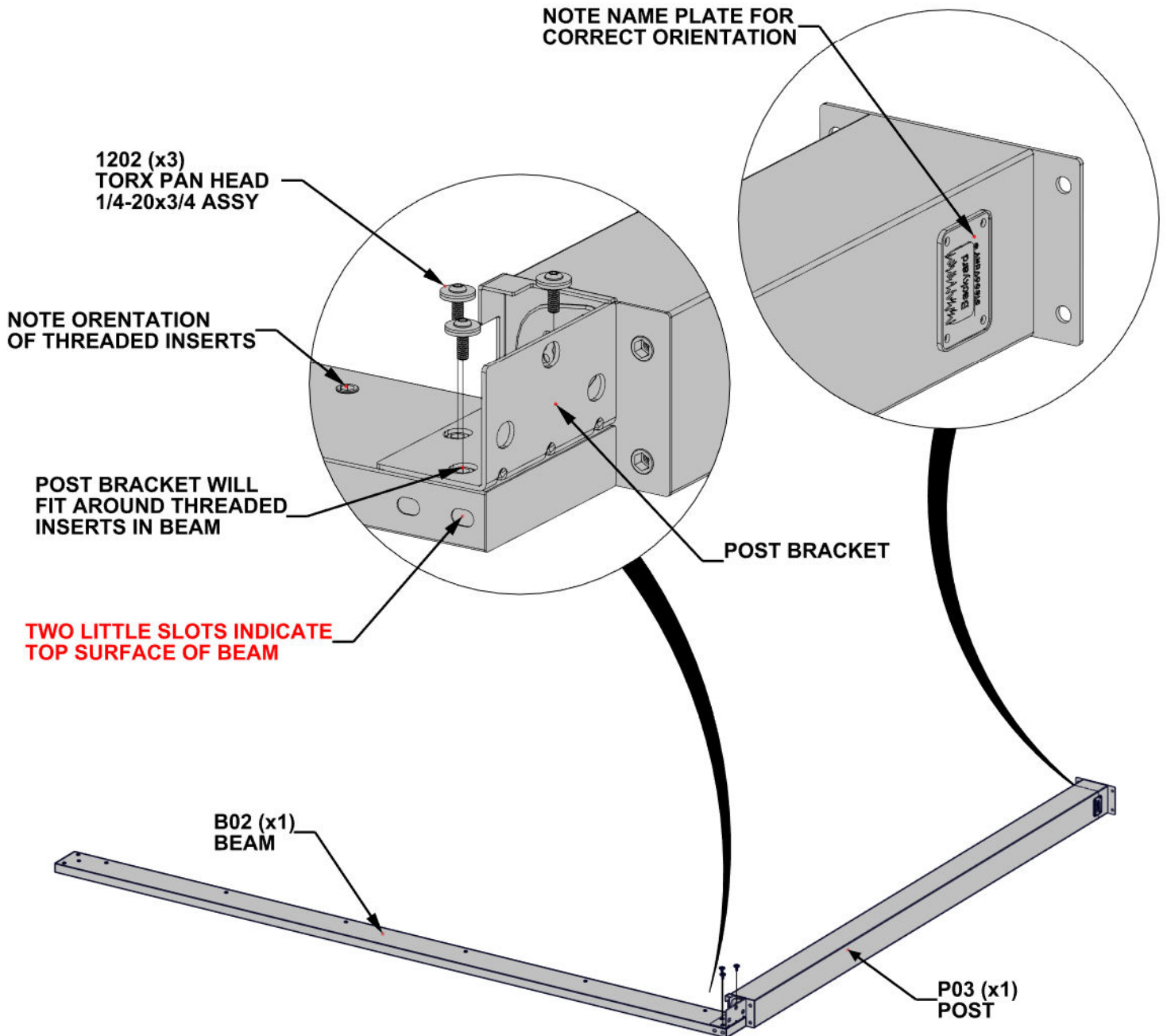


STEP 8A - LEFT FRAME ASSEMBLY

Qty	PartNo	Description
3	H101202	TORX PAN HEAD 1/4-20x3/4 ASSY



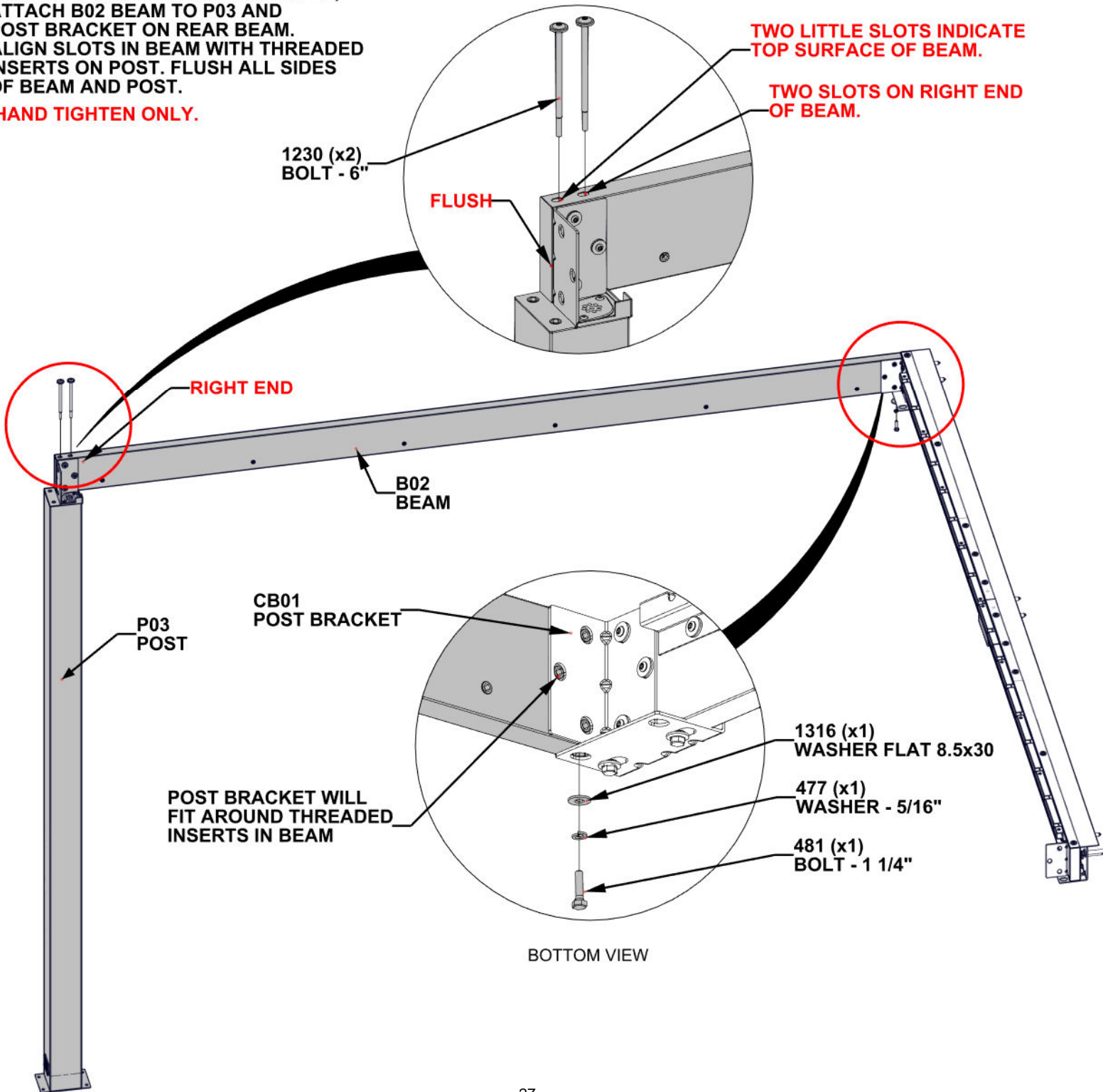
- ATTACH B02 BEAM TO POST BRACKET ON P03.
- **HAND TIGHTEN ONLY**



STEP 8B - LEFT FRAME ASSEMBLY

Qty	PartNo	Description
1	H100481	BOLT HEX 5/16x1 1/4 BLK
2	H101230	BOLT WH 5/16x6 S.S.
1	H101316	WASHER FLAT 8.5x30 BLK
1	H100477	WASHER SPLIT 5/16 BLK

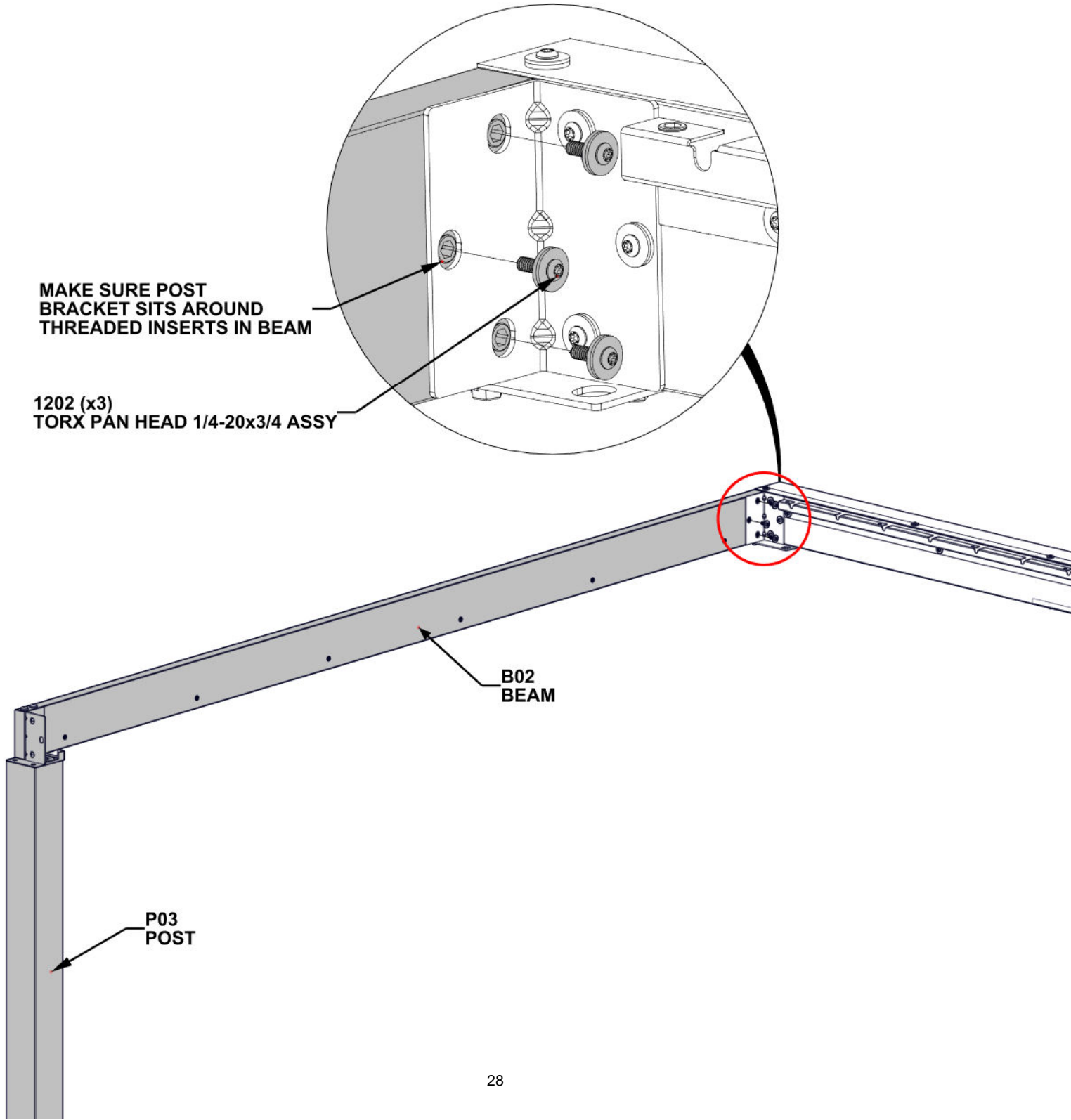
- WITH AT LEAST TWO EXTRA PEOPLE, ATTACH B02 BEAM TO P03 AND POST BRACKET ON REAR BEAM.
- ALIGN SLOTS IN BEAM WITH THREADED INSERTS ON POST. FLUSH ALL SIDES OF BEAM AND POST.
- **HAND TIGHTEN ONLY.**



STEP 8C - LEFT FRAME ASSEMBLY

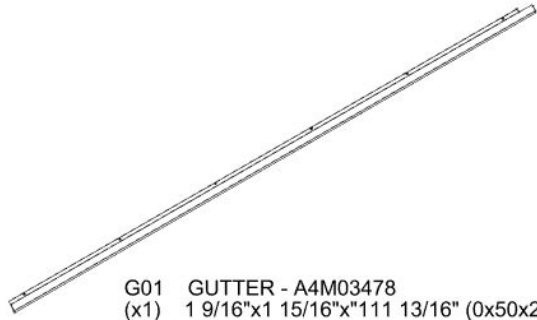
Qty	PartNo	Description
3	H101202	TORX PAN HEAD 1/4-20x3/4 ASSY

- HAND TIGHTEN ONLY.

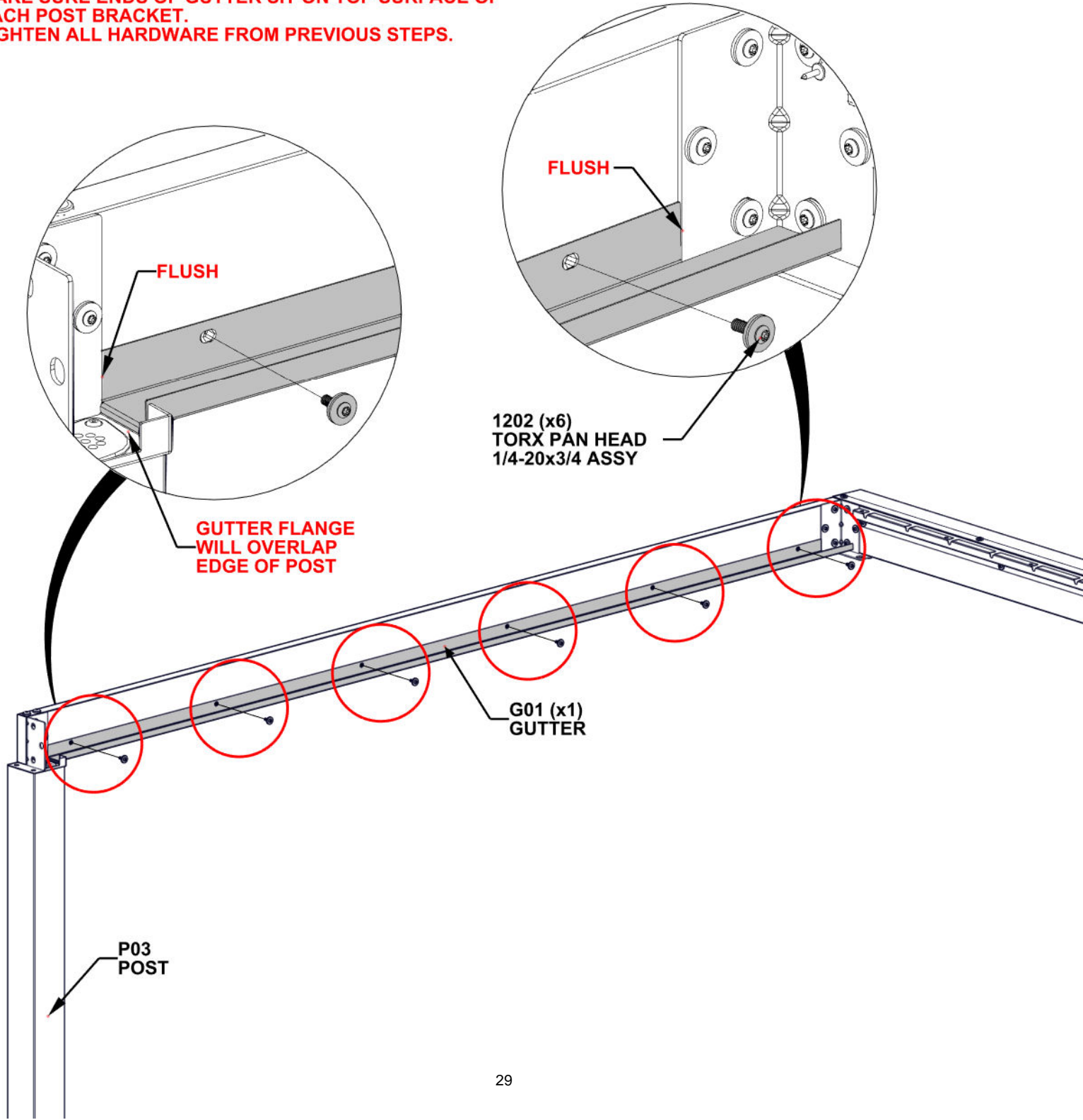


STEP 9 - LEFT GUTTER ATTACHMENT

Qty	PartNo	Description
6	H101202	TORX PAN HEAD 1/4-20x3/4 ASSY

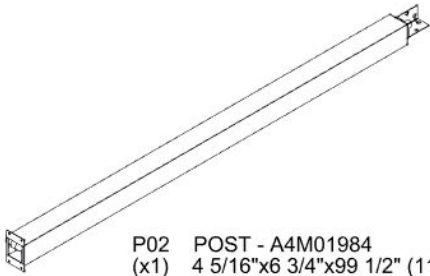


- WITH AN ADDITIONAL PERSON, ATTACH GUTTER TO BEAM.
- MAKE SURE ENDS OF GUTTER SIT ON TOP SURFACE OF EACH POST BRACKET.
- TIGHTEN ALL HARDWARE FROM PREVIOUS STEPS.



STEP 10A - RIGHT FRAME ASSEMBLY

Qty	PartNo	Description
3	H101202	TORX PAN HEAD 1/4-20x3/4 ASSY

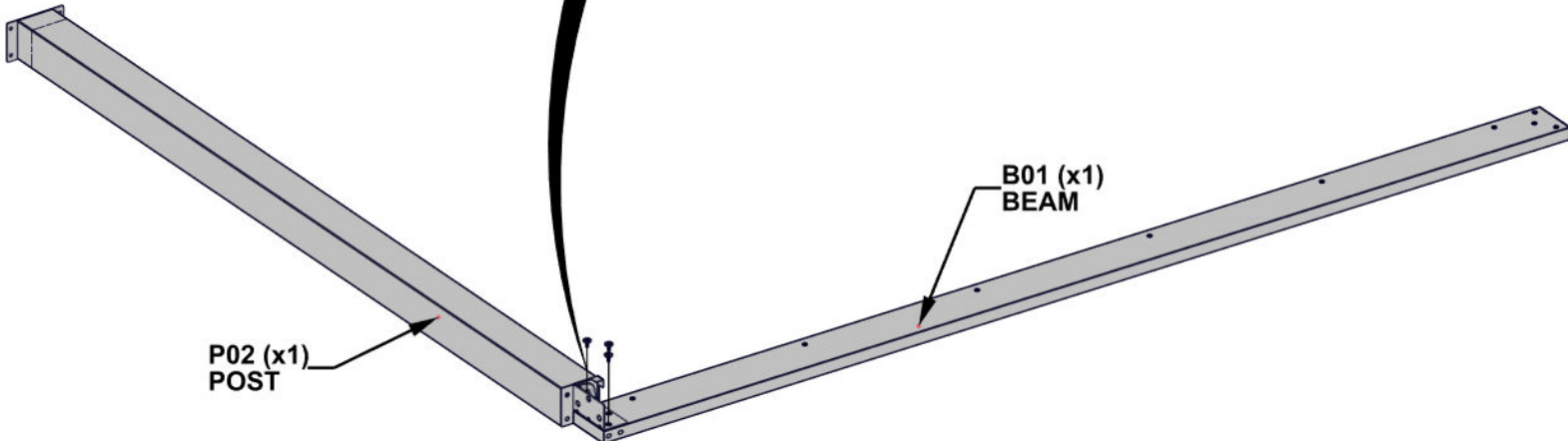
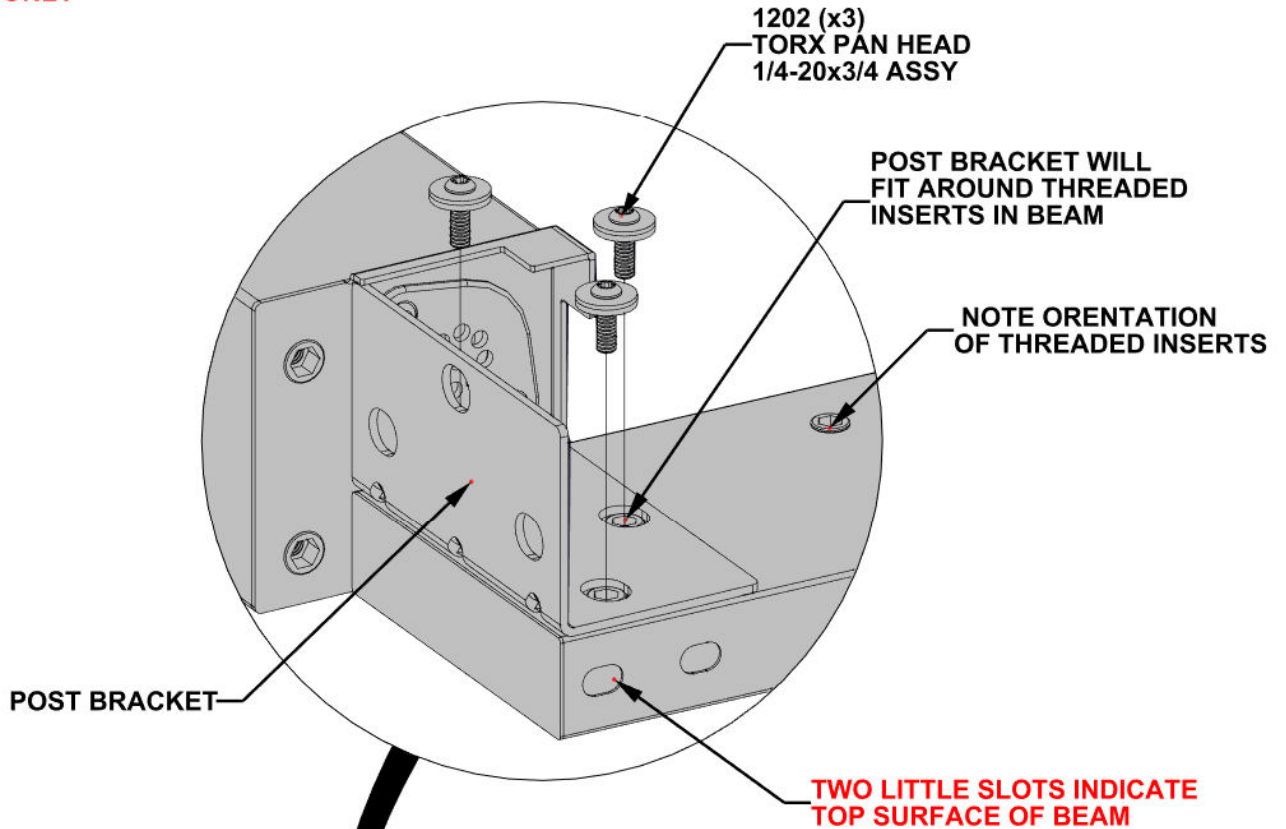


P02 POST - A4M01984
(x1) 4 5/16"x6 3/4"x99 1/2" (110x172x2527)



B01 BEAM - A4M03480
(x1) 1 7/16"x5 1/4"x114 7/8" (36x134x2918)

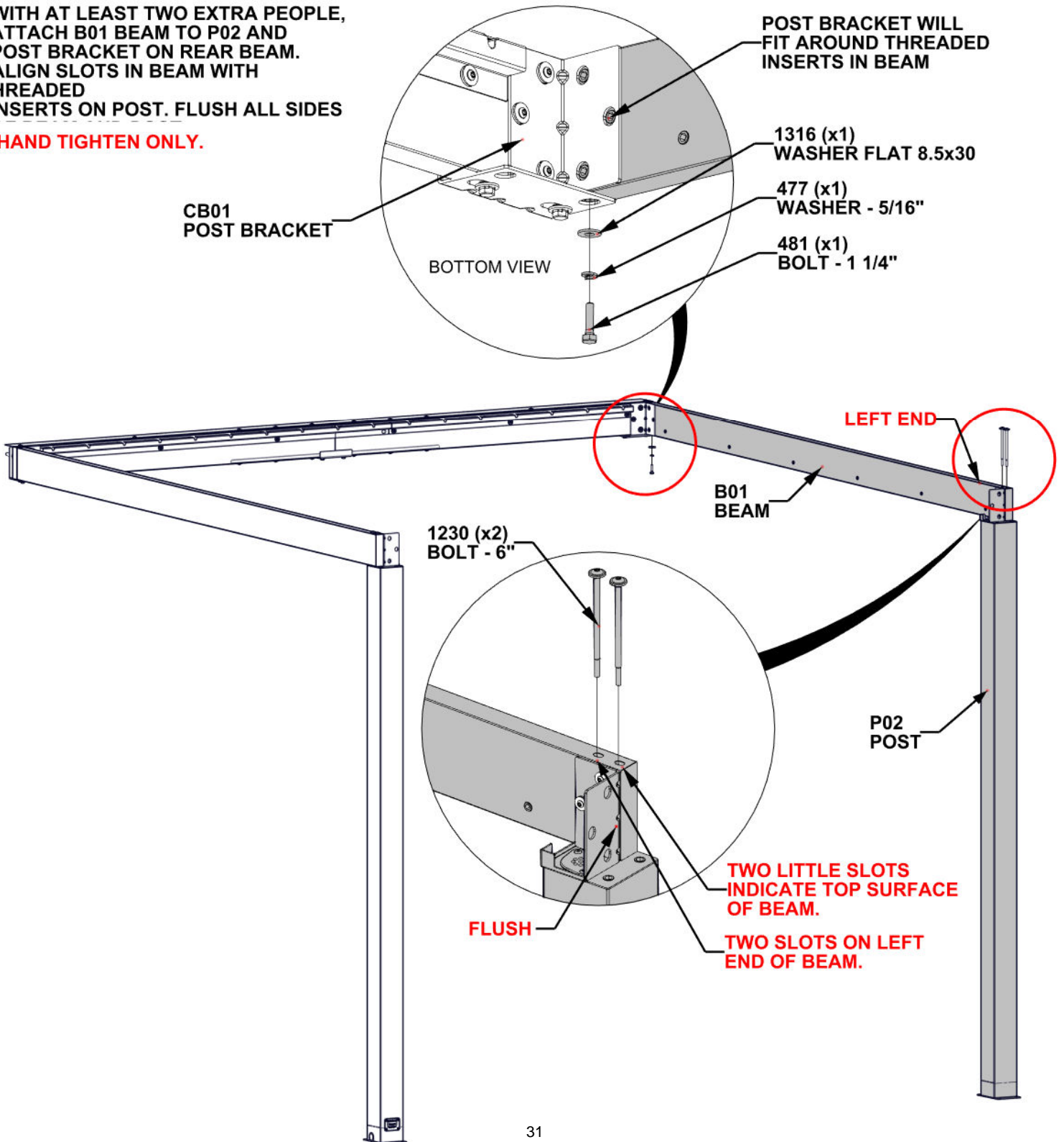
- ATTACH B01 TO POST BRACKET ON P02.
- **HAND TIGHTEN ONLY**



STEP 10B - RIGHT FRAME ASSEMBLY

Qty	PartNo	Description
1	H100481	BOLT HEX 5/16x1 1/4 BLK
2	H101230	BOLT WH 5/16x6 S.S.
1	H101316	WASHER FLAT 8.5x30 BLK
1	H100477	WASHER SPLIT 5/16 BLK

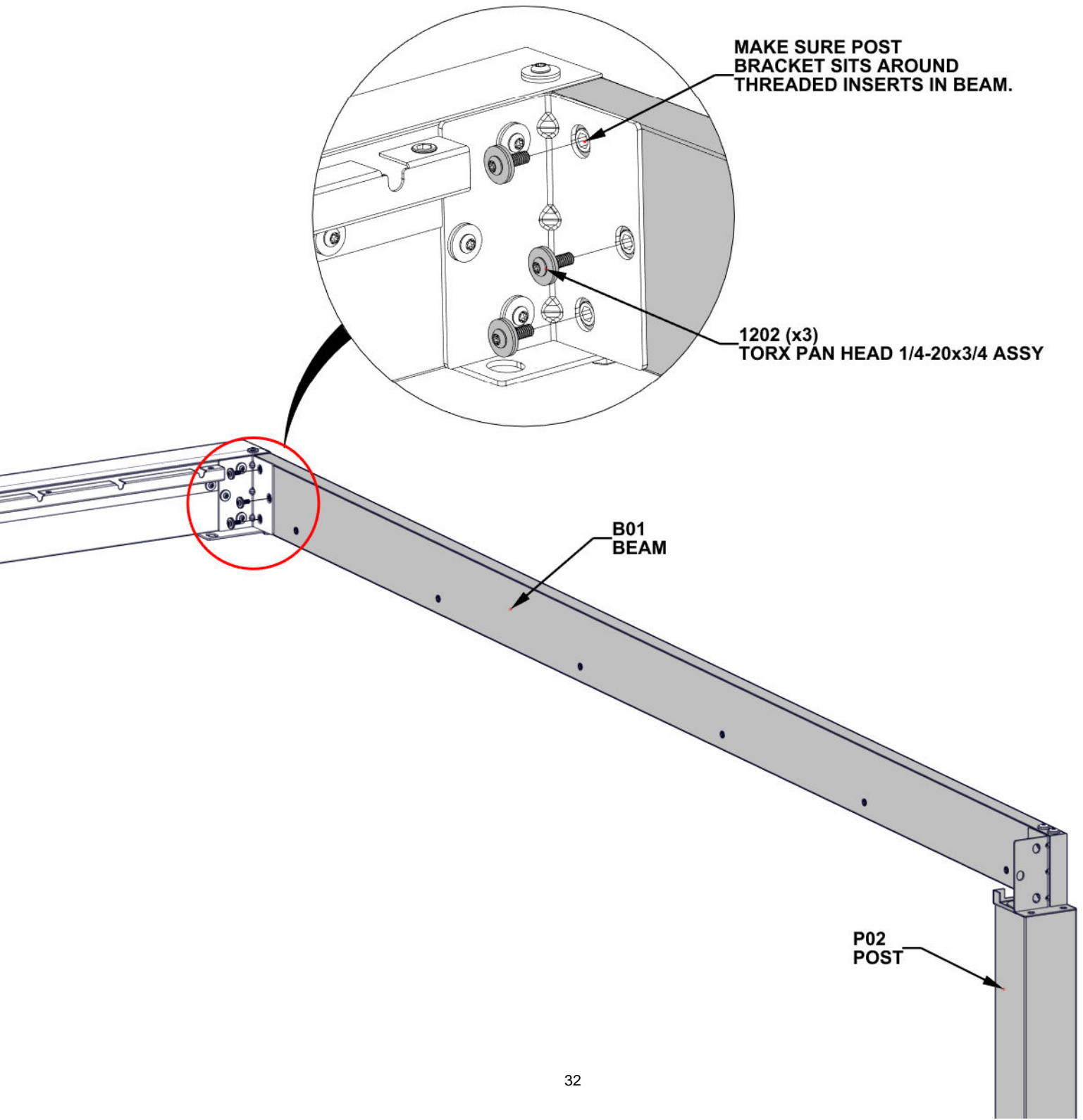
- WITH AT LEAST TWO EXTRA PEOPLE, ATTACH B01 BEAM TO P02 AND POST BRACKET ON REAR BEAM.
- ALIGN SLOTS IN BEAM WITH THREADED INSERTS ON POST. FLUSH ALL SIDES
- **HAND TIGHTEN ONLY.**



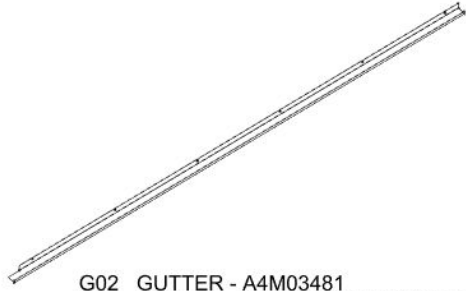
STEP 10C - RIGHT FRAME ASSEMBLY

Qty	PartNo	Description
3	H101202	TORX PAN HEAD 1/4-20x3/4 ASSY

- HAND TIGHTEN ONLY.



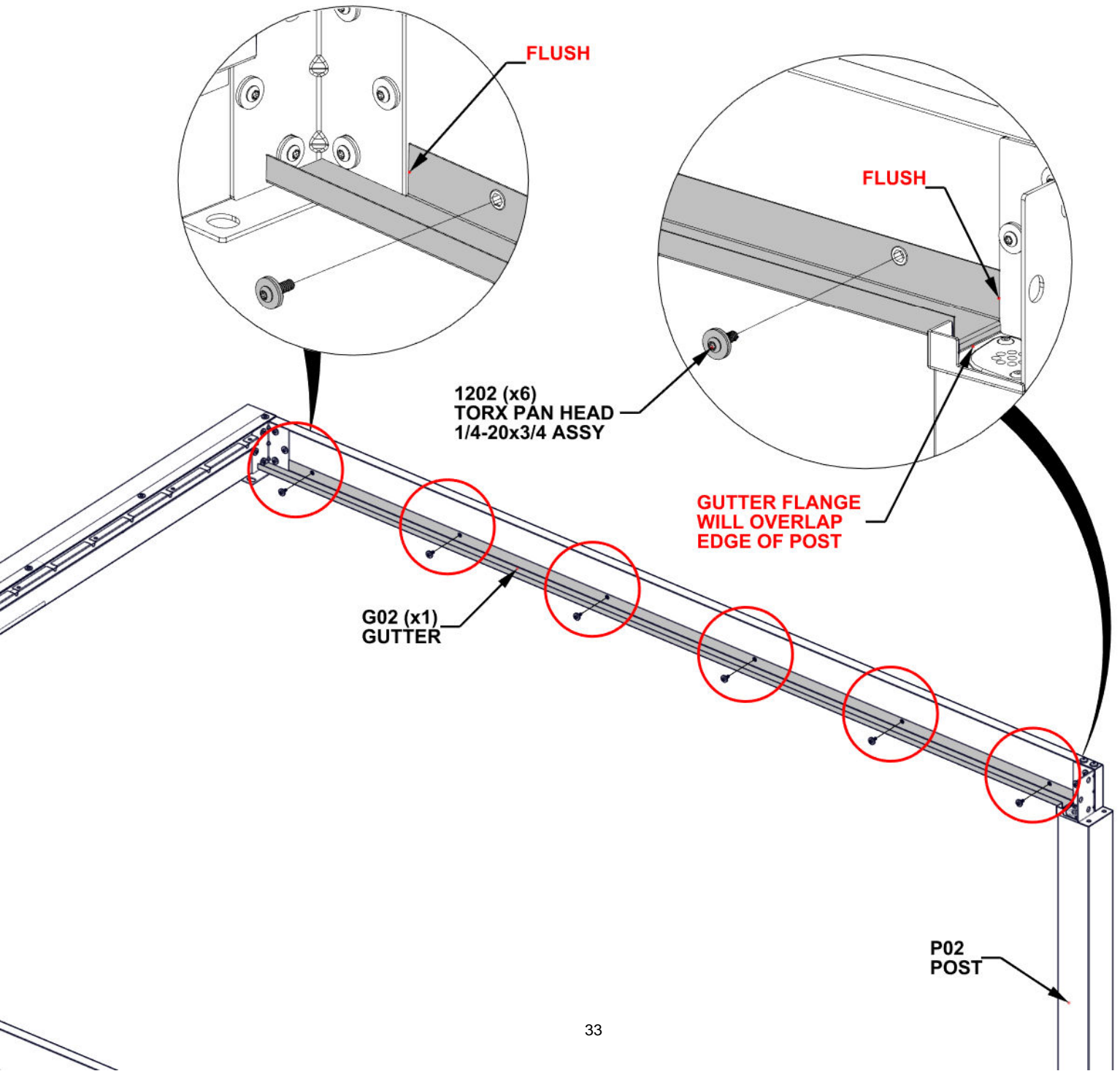
STEP 11 - RIGHT GUTTER ATTACHMENT



G02 GUTTER - A4M03481
(x1) 1 9/16"x1 15/16"x111 13/16" (40x50x2839)

Qty	PartNo	Description
6	H101202	TORX PAN HEAD 1/4-20x3/4 ASSY

- WITH AN ADDITIONAL PERSON, ATTACH GUTTER TO BEAM.
- MAKE SURE ENDS OF GUTTER SIT ON TOP SURFACE OF EACH POST BRACKET.
- TIGHTEN ALL HARDWARE FROM PREVIOUS STEPS.



STEP 12 - FRONT BEAM ASSEMBLY

Qty	PartNo	Description
6	H101202	TORX PAN HEAD 1/4-20x3/4 ASSY

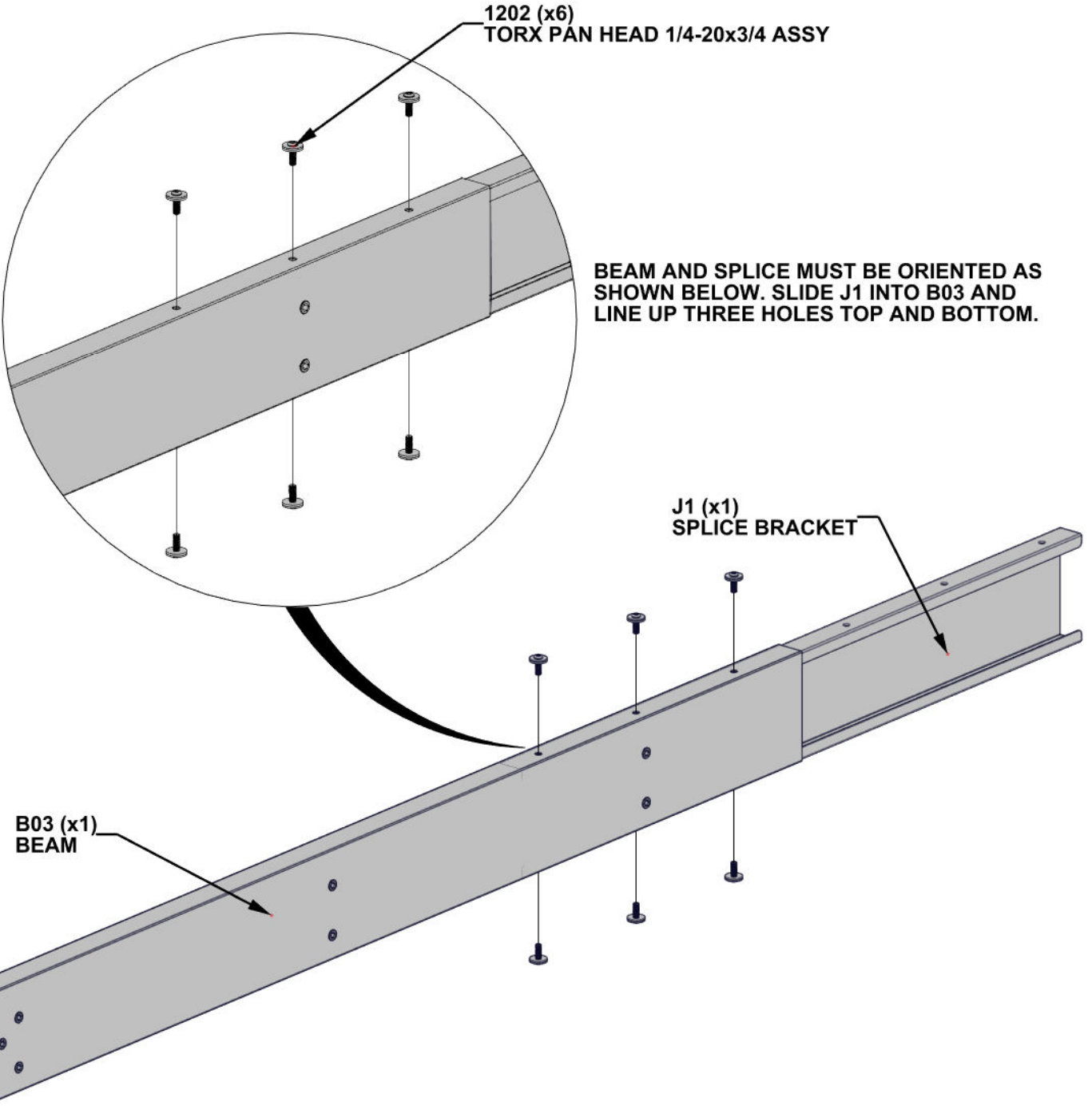


B03 BEAM - A4M04123
(x1) 1 7/16"x5 1/4"x60 1/8" (36x134x1527)



J1 SPLICE BRACKET - A4M02230
(x1) 1 5/16"x5 3/16"x39 3/8" (33.2x131.2x1000)

- HAND TIGHTEN ONLY.



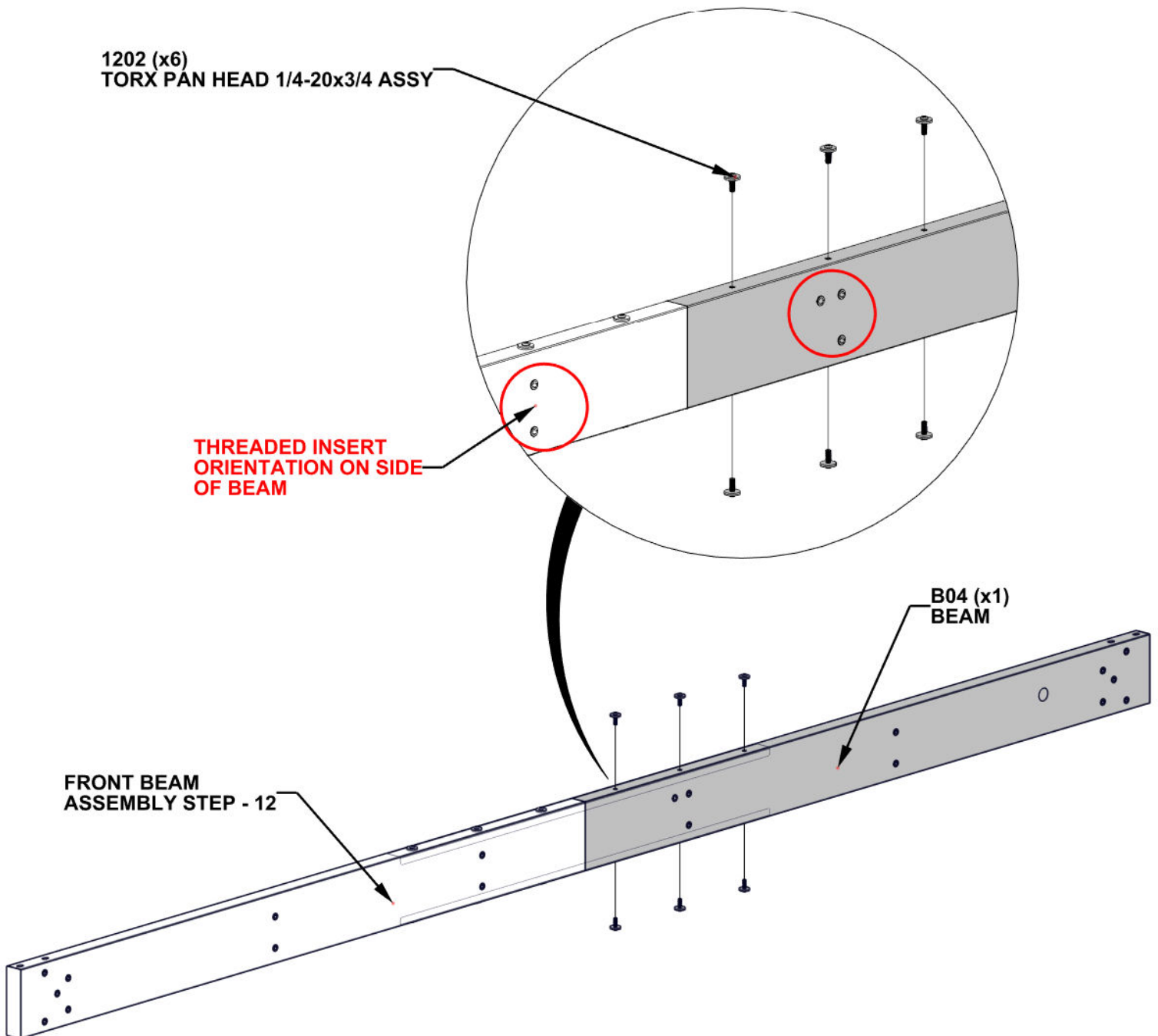
STEP 13 - FRONT BEAM ASSEMBLY

Qty	PartNo	Description
6	H101202	TORX PAN HEAD 1/4-20x3/4 ASSY



B04 BEAM - A4M04528
(x1) 1 7/16"x5 1/4"x60 1/8" (36x134x1527)

- SLIDE B04 ONTO SPLICE BRACKET.
- GENTLY TAP ENDS OF ASSEMBLY WITH RUBBER Mallet UNTIL GAP CLOSES, THEN TIGHTEN ALL BOLTS ON BEAM.



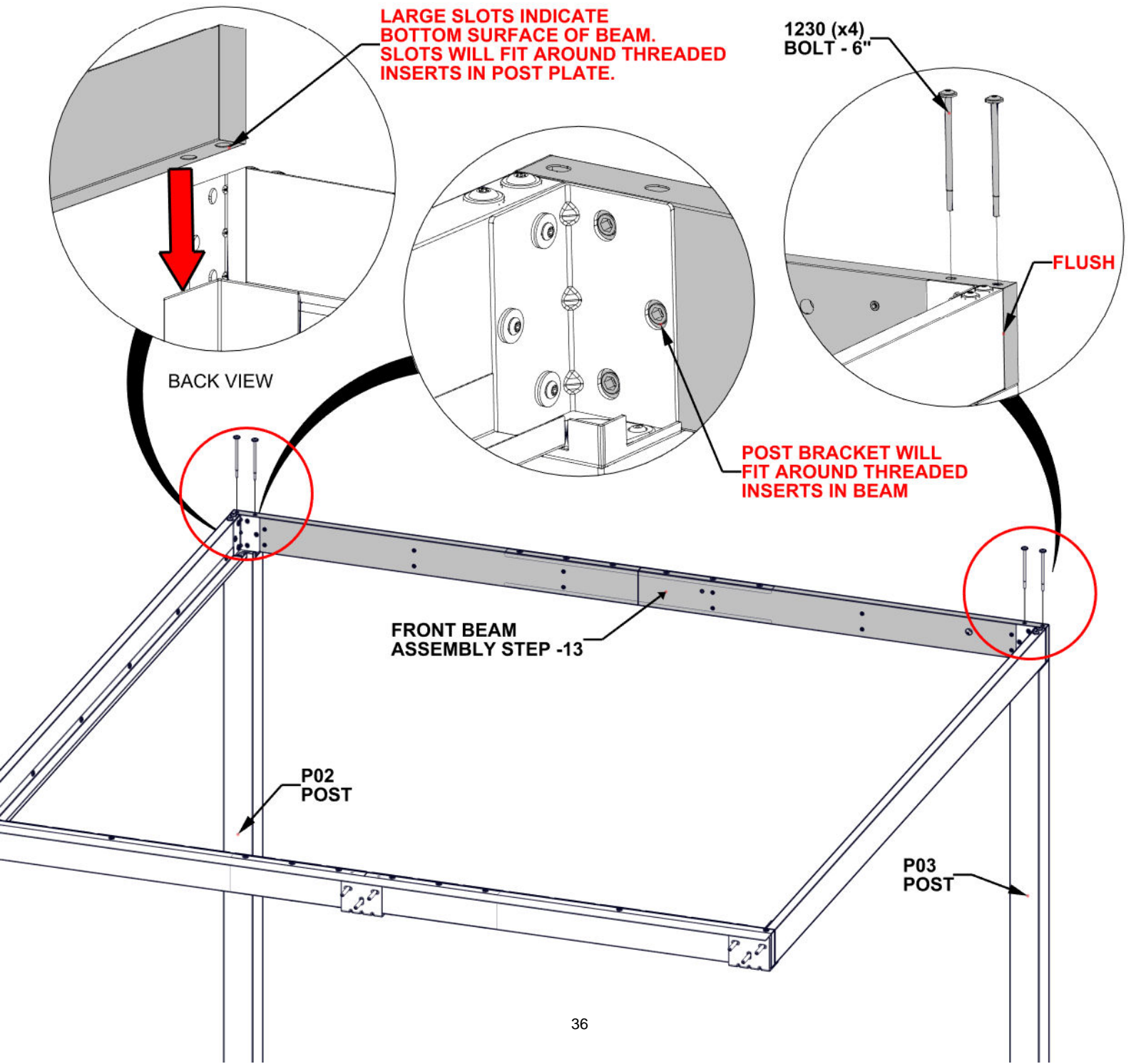
STEP 14A - FRONT FRAME ASSEMBLY

Qty	PartNo	Description
4	H101230	BOLT WH 5/16x6 S.S.



FRONT BEAM ASSEMBLY
STEP - 13

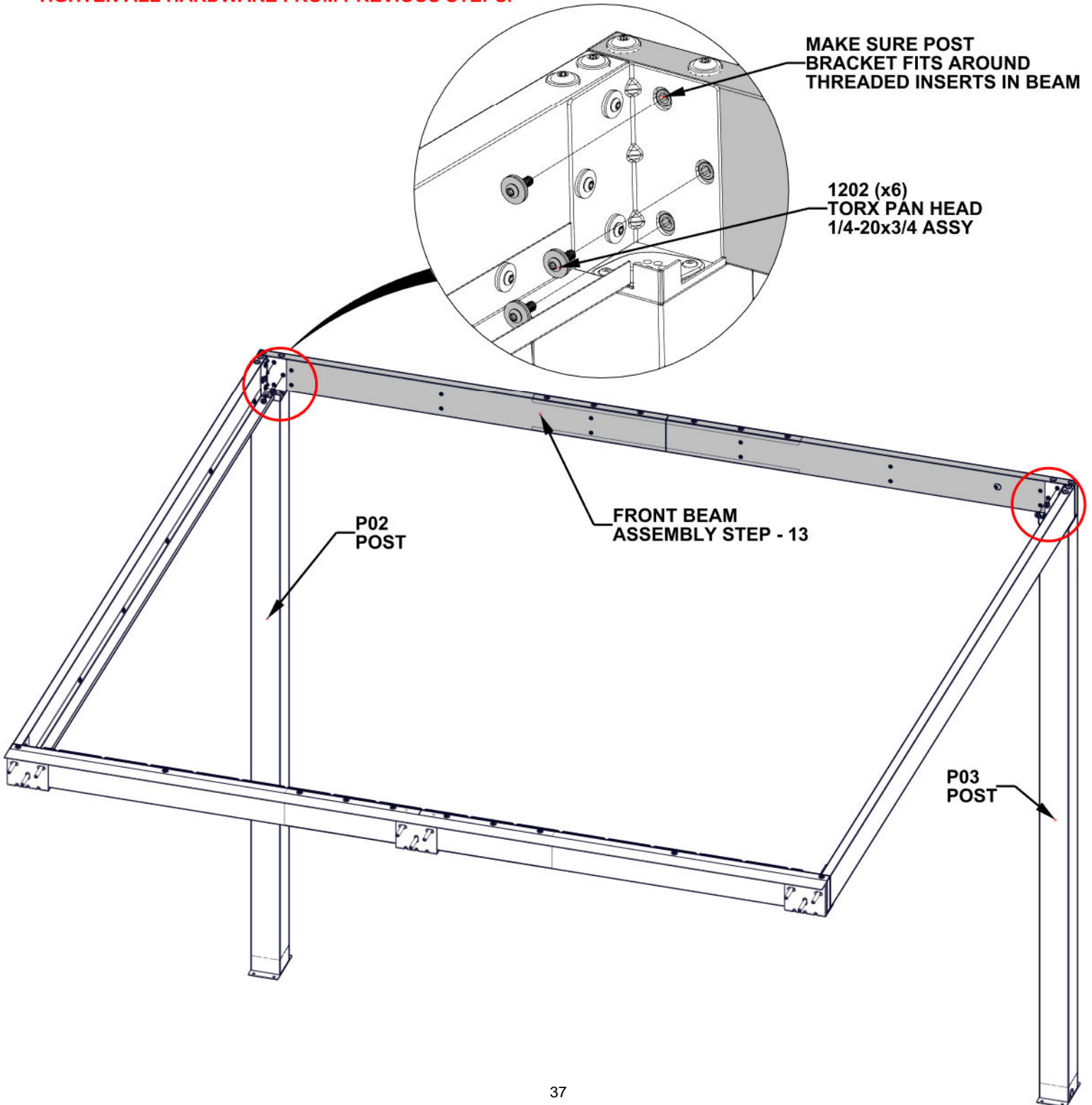
- WITH AT LEAST TWO EXTRA PEOPLE, ATTACH BEAM ASSEMBLY FROM PREVIOUS STEPS TO P02 AND P03 POST.
- ALIGN SLOTS IN BEAM WITH THREADED INSERTS ON TOP PLATE. FLUSH ALL SIDES OF BEAM AND POST.
- HAND TIGHTEN ONLY.



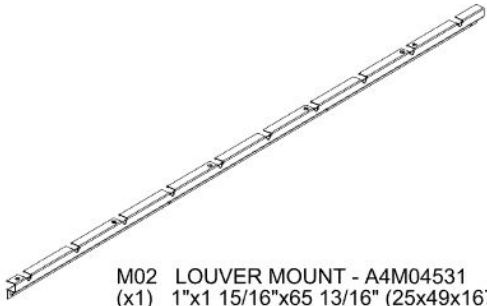
STEP 14B - FRONT FRAME ASSEMBLY

Qty	PartNo	Description
6	H101202	TORX PAN HEAD 1/4-20x3/4 ASSY

- TIGHTEN ALL HARDWARE FROM PREVIOUS STEPS.



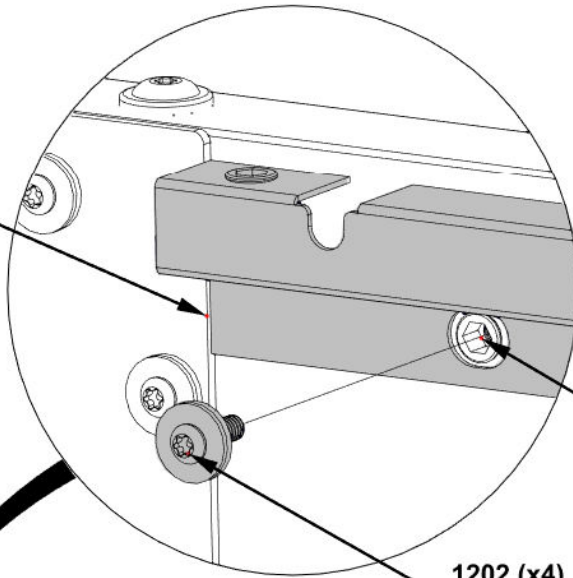
STEP 15 - FRONT BEAM LOUVER MOUNT ATTACHMENT



M02 LOUVER MOUNT - A4M04531
(x1) 1"x1 15/16"x65 13/16" (25x49x1672)

Qty	PartNo	Description
4	H101202	TORX PAN HEAD 1/4-20x3/4 ASSY

FLUSH MOUNT WITH EDGE OF POST BRACKET

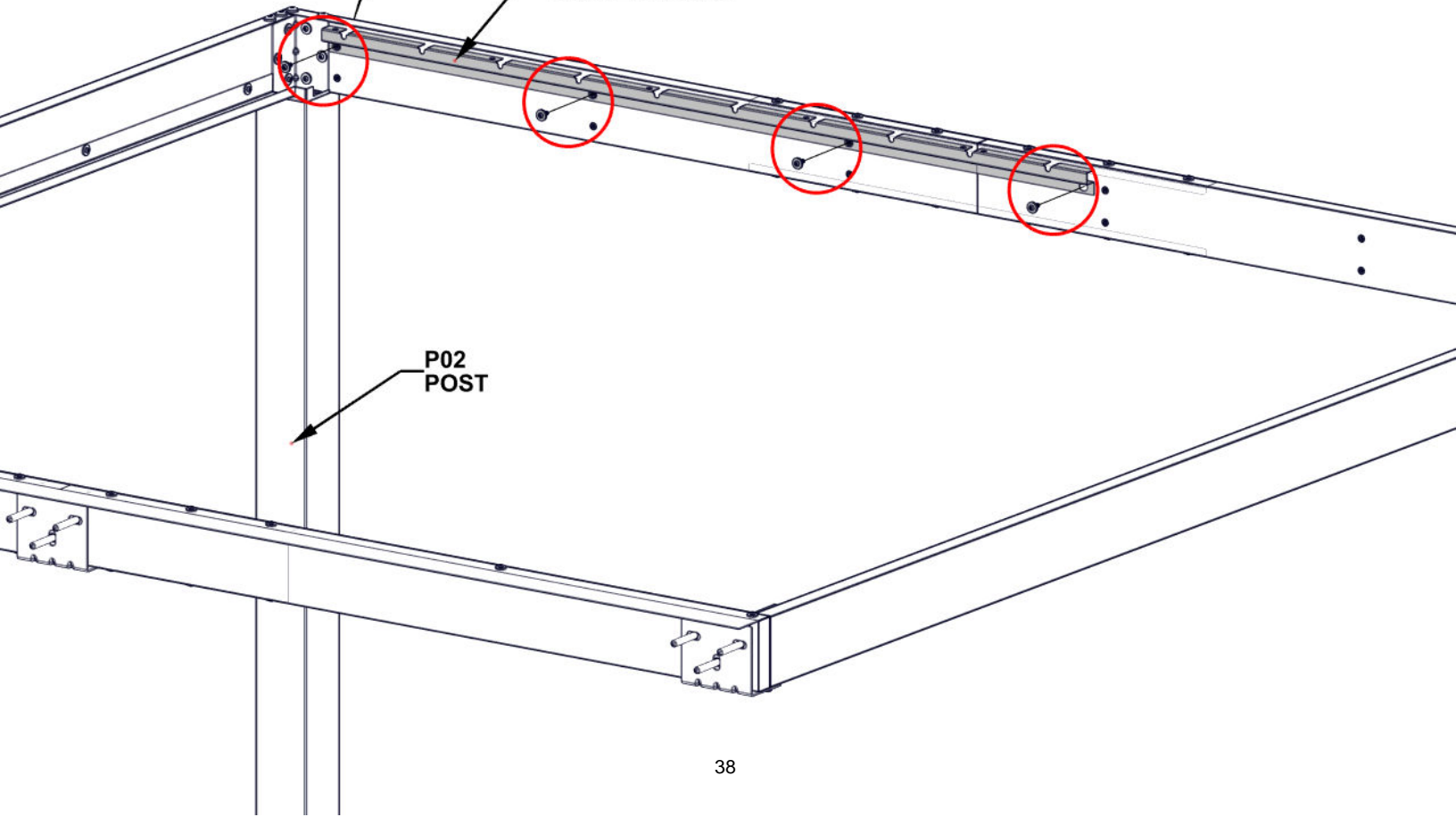


LOUVER MOUNT WILL FIT AROUND THREADED INSERTS IN BEAM

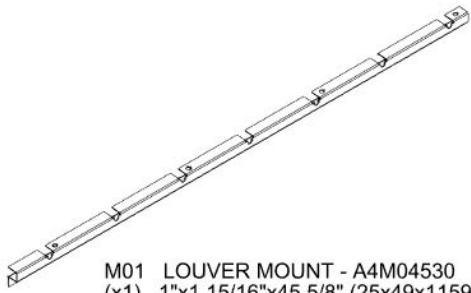
1202 (x4)
TORX PAN HEAD 1/4-20x3/4 ASSY

M02 (x1)
LOUVER MOUNT

P02
POST

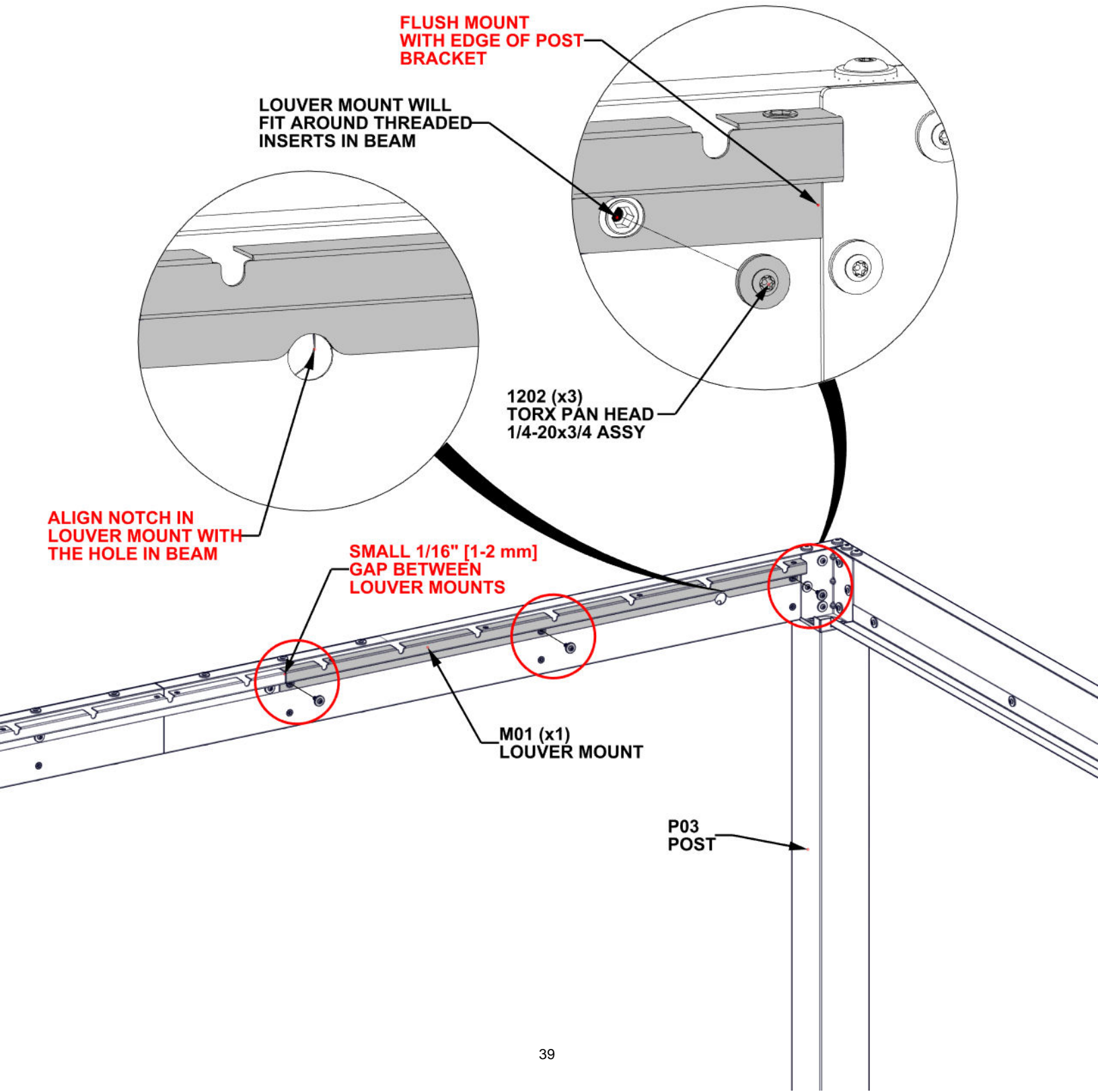


STEP 16 - FRONT BEAM LOUVER MOUNT ATTACHMENT



M01 LOUVER MOUNT - A4M04530
(x1) 1"x1 15/16"x45 5/8" (25x49x1159)

Qty	PartNo	Description
3	H101202	TORX PAN HEAD 1/4-20x3/4 ASSY

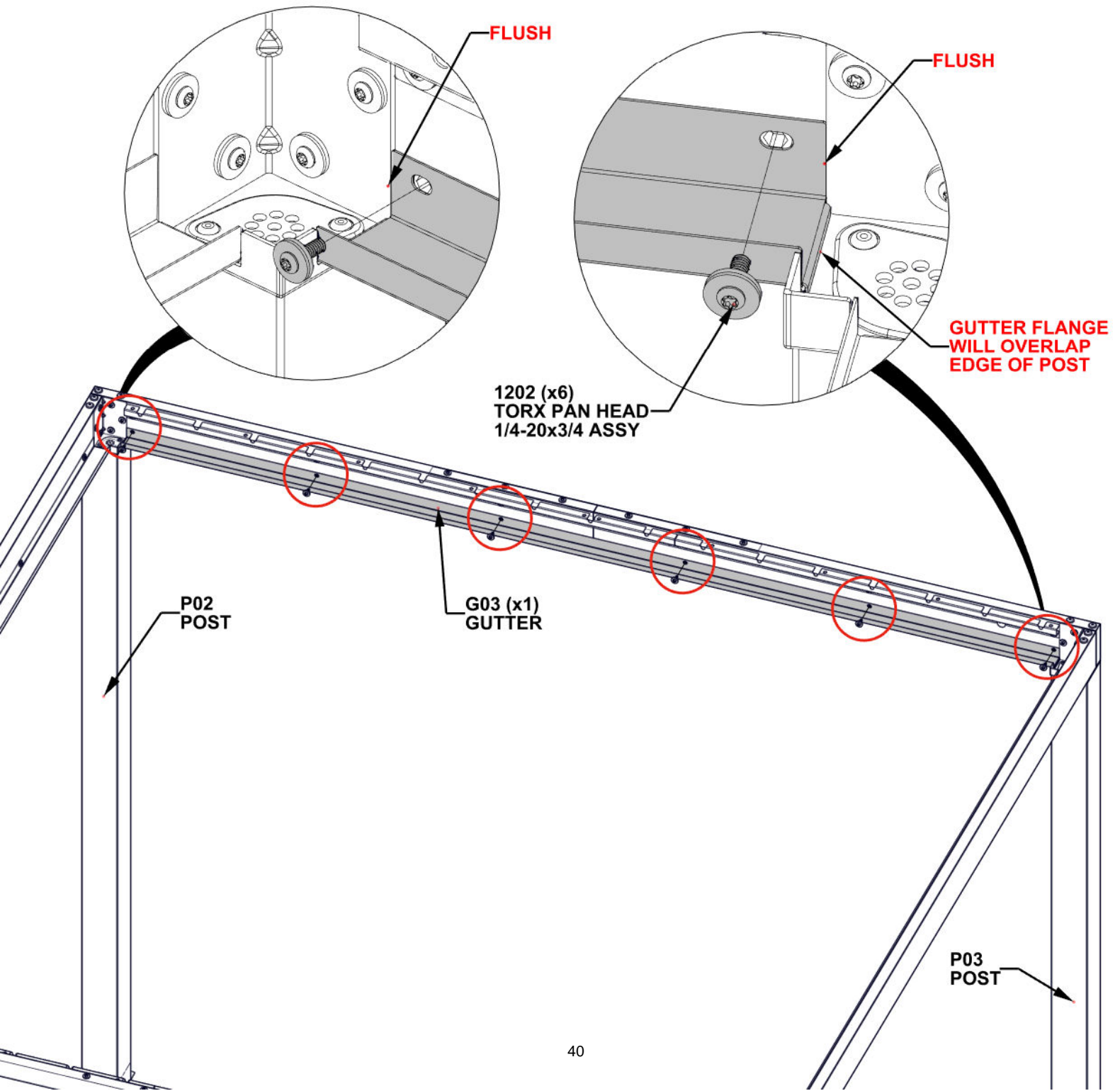


STEP 17 - FRONT BEAM GUTTER ATTACHMENT

Qty	PartNo	Description
6	H101202	TORX PAN HEAD 1/4-20x3/4 ASSY

G03 GUTTER - A4M04120
 (x1) 1 9/16"x1 15/16"x11 11/16" (40x50x2837)

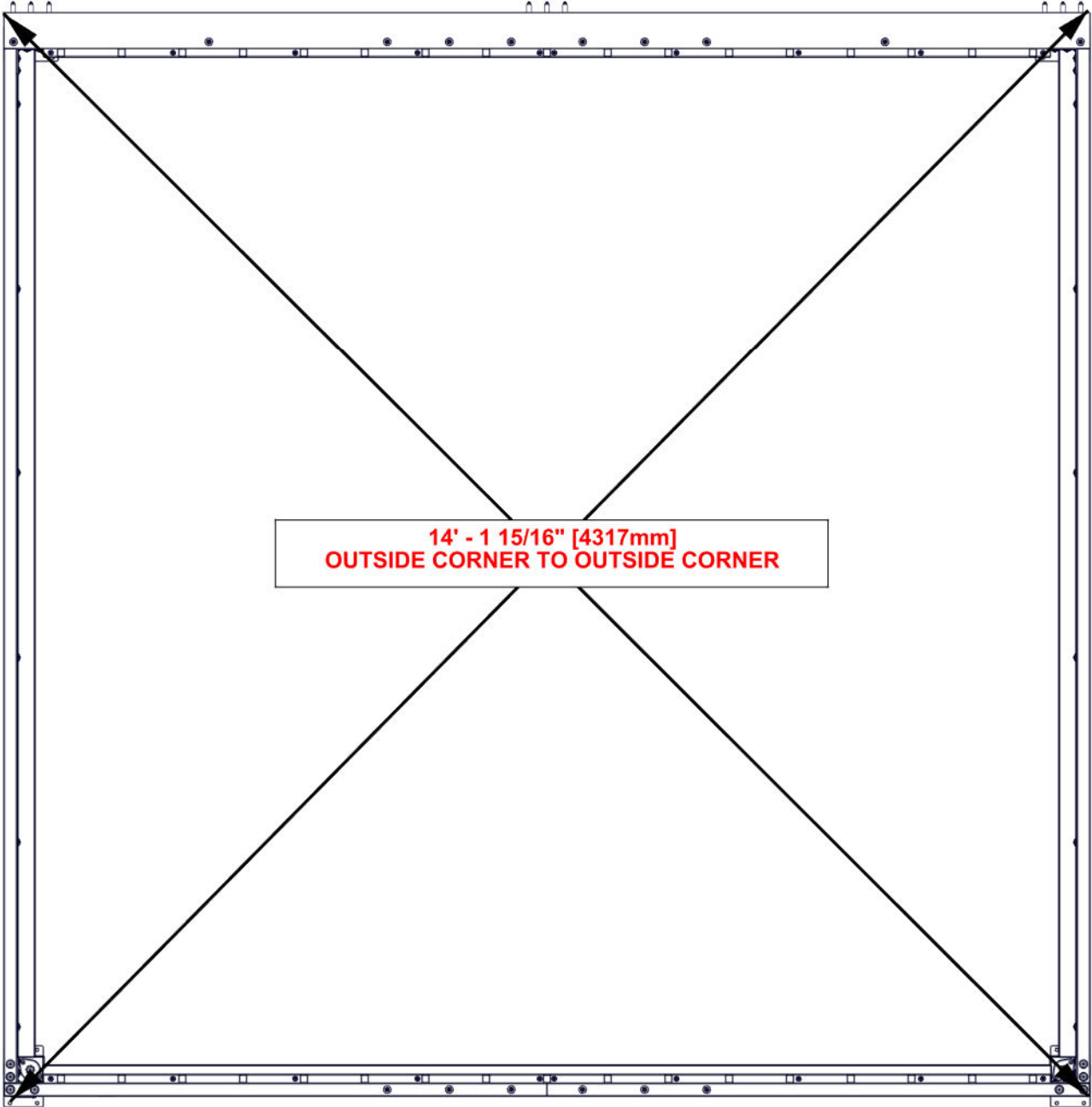
- WITH AN ADDITIONAL PERSON, ATTACH GUTTER TO BEAM.
- MAKE SURE ENDS OF GUTTER SIT ON TOP SURFACE OF EACH POST BRACKET.
- TIGHTEN ALL HARDWARE.



STEP 18 - SQUARE STRUCTURE

**CRITICAL: SQUARE ASSEMBLY BEFORE PROCEEDING TO NEXT STEPS.
ONCE SQUARE, MAKE SURE ALL HARDWARE HAS BEEN
TIGHTENED FROM PREVIOUS STEPS.**

MEASUREMENTS TAKEN FROM OUTSIDE CORNER TO OUTSIDE CORNER OF STRUCTURE



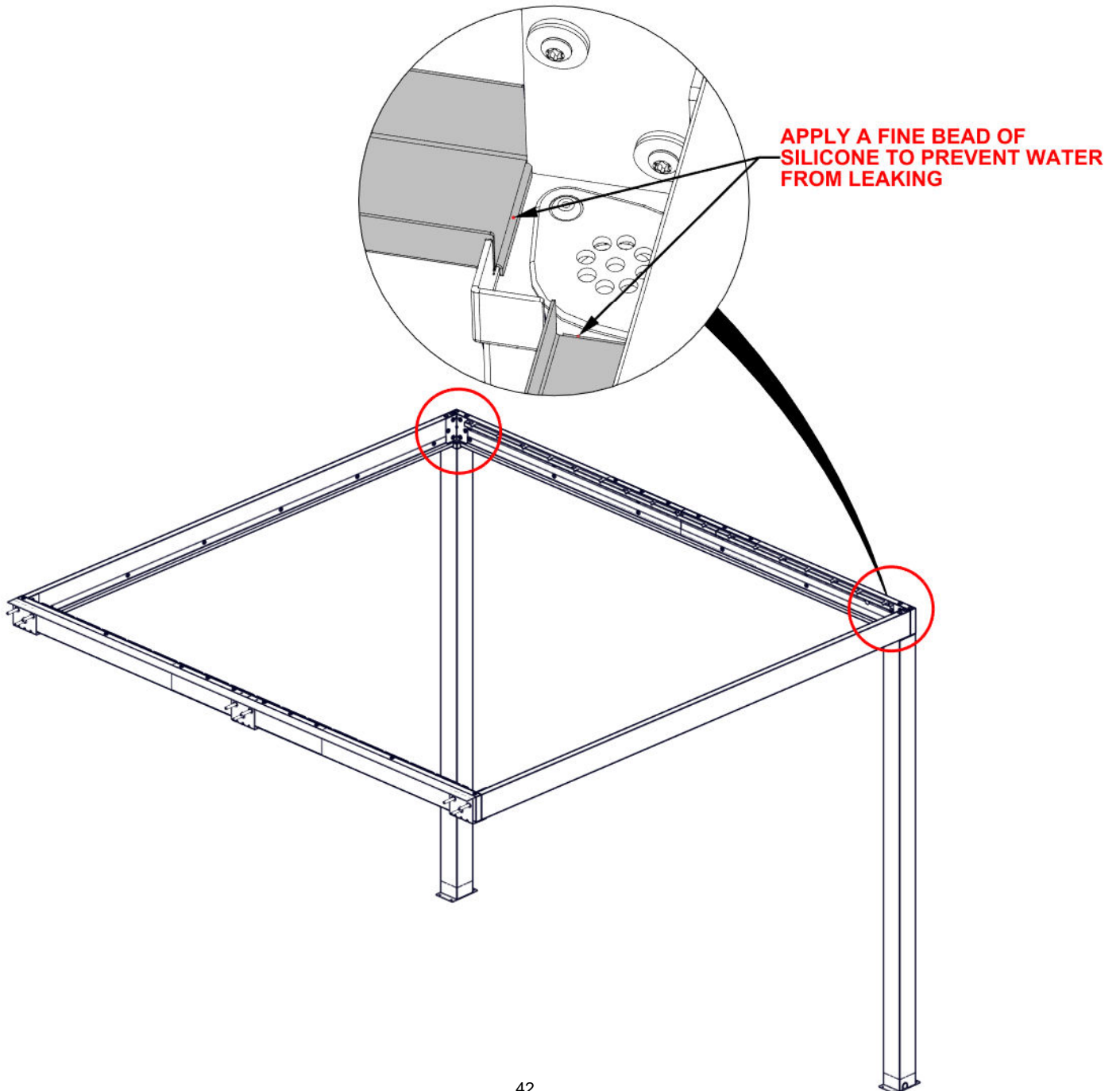
STEP 19 - GUTTER SEALANT



A6P00796 SILICONE
(x1)

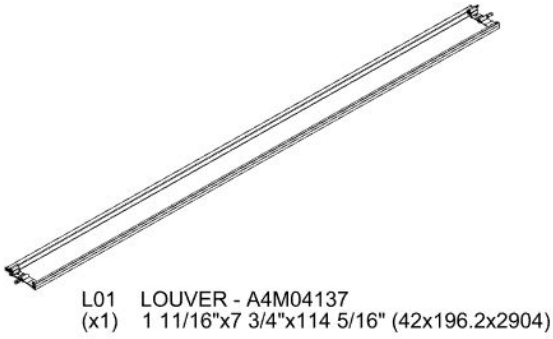
- APPLY A FINE BEAD OF SILICONE ALONG INSIDE SURFACE OF GUTTER WHERE GUTTER PIECES MEET POST.
- SMOOTH SILICONE, WIPING EXCESS USING A RAG OR PAPER TOWEL.
- REPEAT THIS STEP FOR ALL GUTTER ATTACHMENT POINTS AT EACH POST.

**TIP: GLOVES ARE RECOMMENDED WHEN APPLYING SILICONE.
MAKE SURE SURFACE OF GUTTER IS CLEAN, DRY, AND FREE OF ANY DIRT/DEBRIS.**



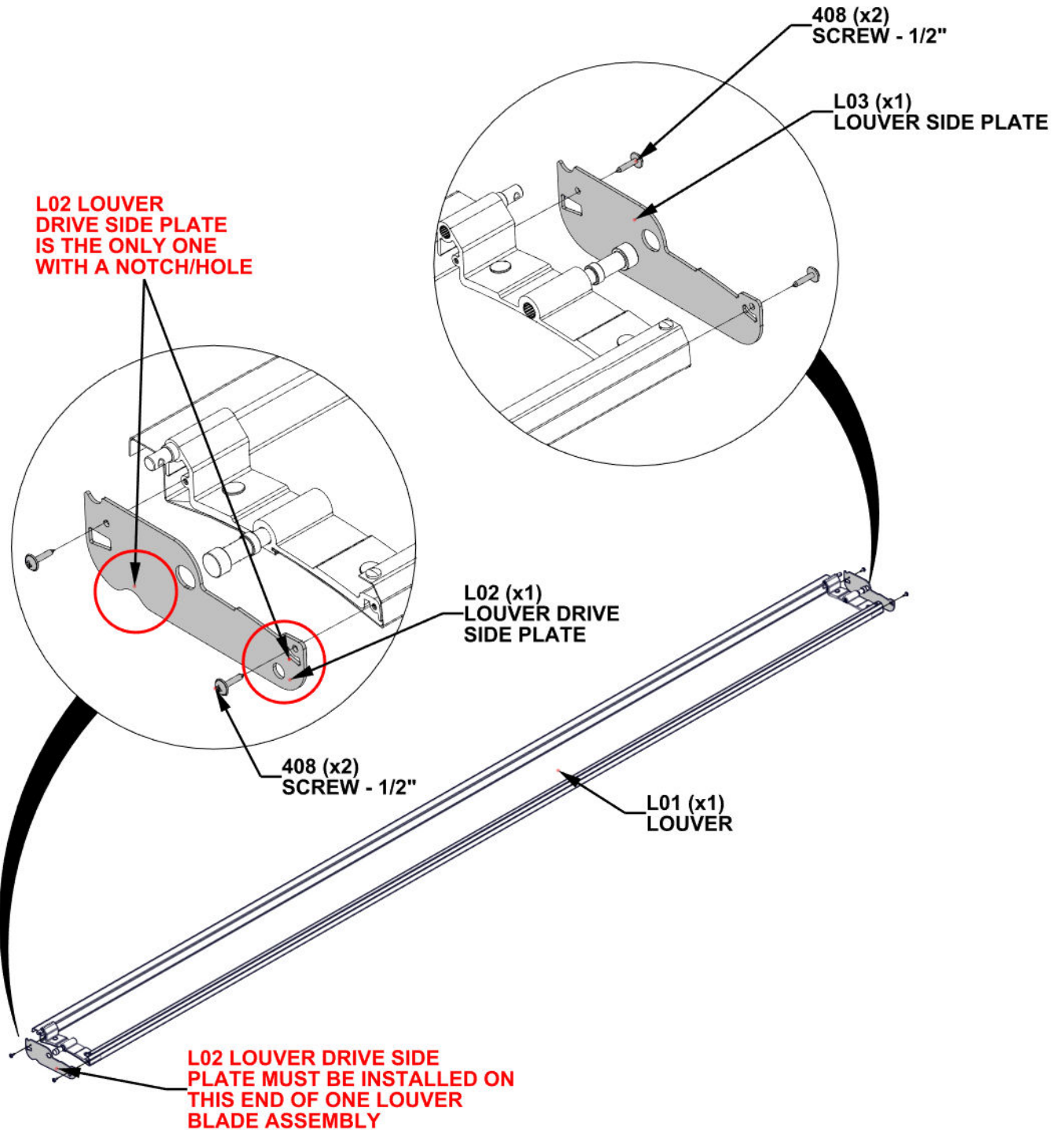
STEP 20 - DRIVE LOUVER ASSEMBLY

Qty	PartNo	Description
4	H100408	SCREW PWH 8x1/2 BLK



- DO NOT OVERTIGHTEN SCREWS.

- FOR EASE OF ASSEMBLY, WE RECOMMEND USING SAWHORSES FOR THIS STEP.



STEP 21 - DRIVE LOUVER ASSEMBLY

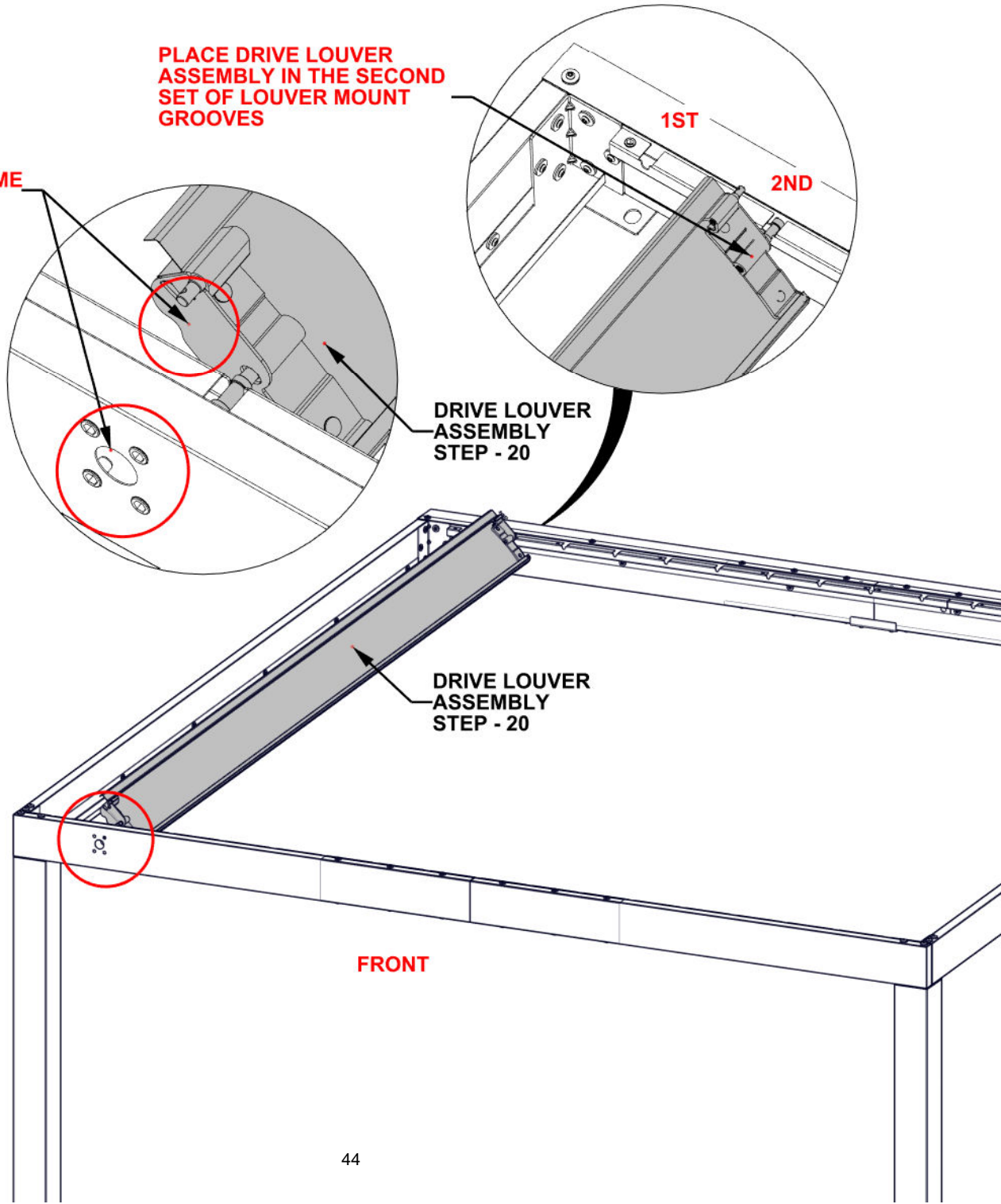


DRIVE LOUVER ASSEMBLY
STEP - 20

- ORIENTATION OF LOUVER WILL BE DETERMINED BY THE SIDE BEAM WITH FOUR THREADED INSERTS.
- PLACE DRIVE LOUVER FROM PREVIOUS STEP IN THE SECOND SET OF LOUVER MOUNT GROOVES. L02 DRIVE PLATE WILL BE ON SAME SIDE AS FOUR THREADED INSERTS IN BEAM.

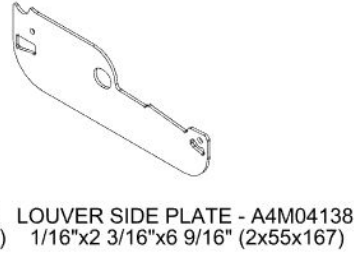
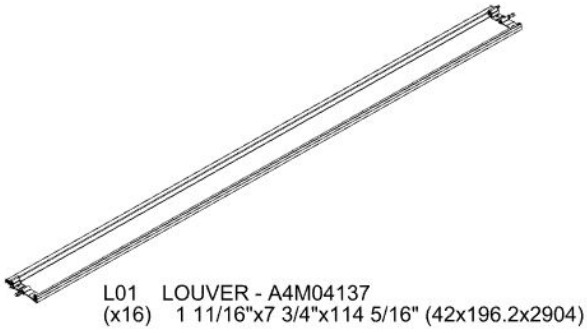
PLACE DRIVE LOUVER ASSEMBLY IN THE SECOND SET OF LOUVER MOUNT GROOVES

L02 SIDE PLATE MUST BE ON THE SAME END AS THE FOUR THREADED INSERTS



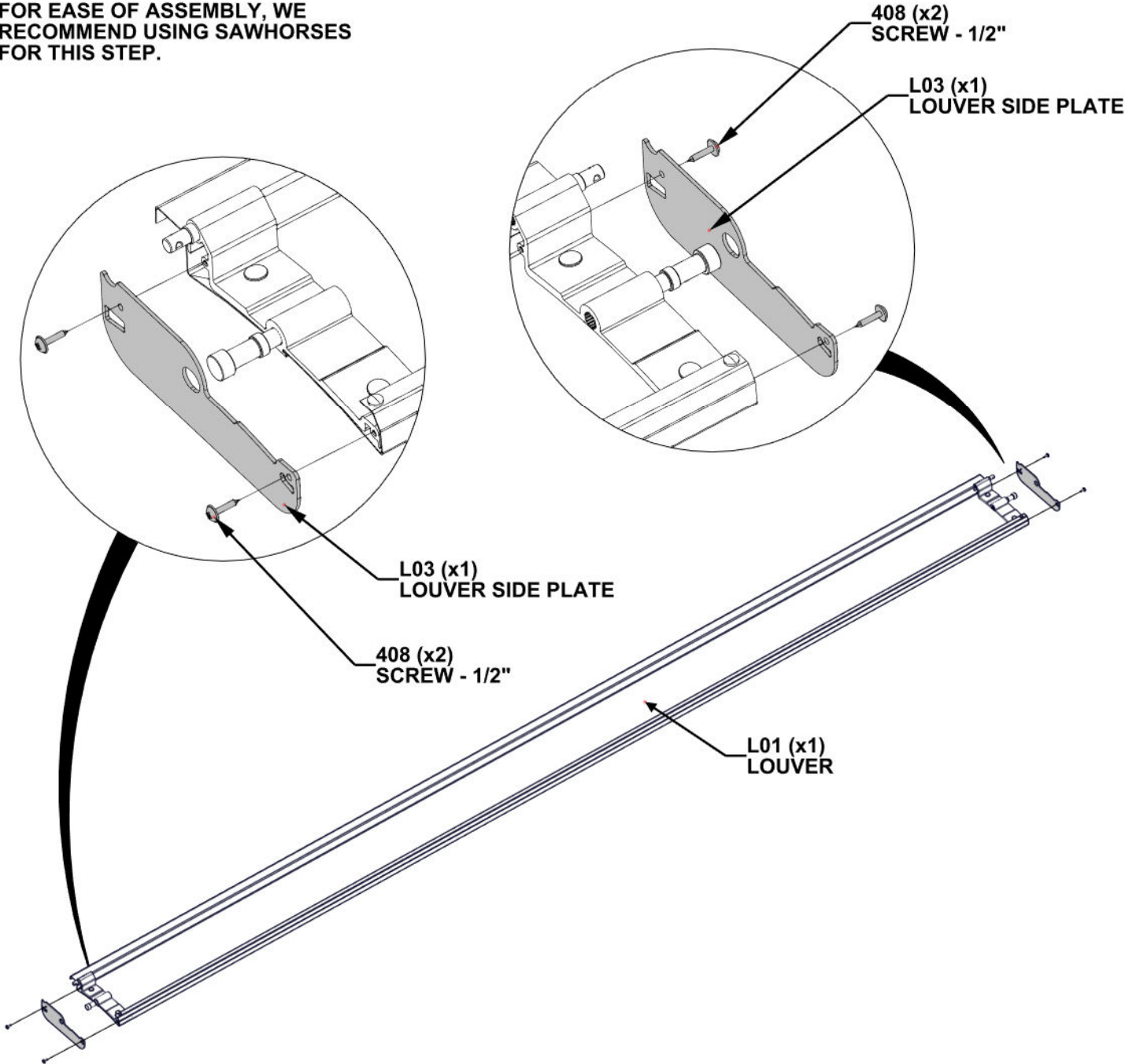
STEP 22 - LOUVER ASSEMBLY

Qty	PartNo	Description
64	H100408	SCREW PWH 8x1/2 BLK

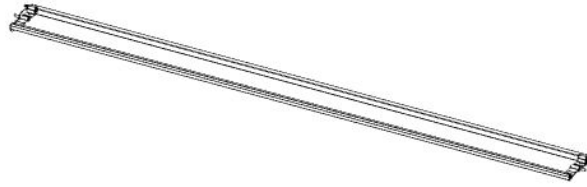


- REPEAT THIS STEP 16 TIMES.
- DO NOT OVERTIGHTEN SCREWS.

FOR EASE OF ASSEMBLY, WE RECOMMEND USING SAWHORSES FOR THIS STEP.

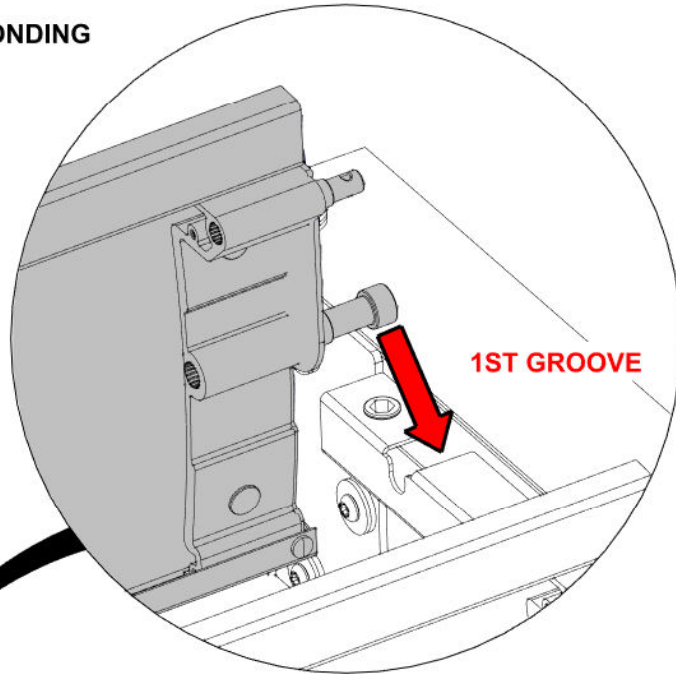


STEP 23A - LOUVER INSTALLATION



LOUVER ASSEMBLY
STEP - 22

- STARTING AT LEFT, PLACE THE LOUVER ASSEMBLY FROM STEP 22 INTO THE FIRST SET OF LOUVER MOUNT GROOVE AT THE BACK OF THE UNIT.
- PLACE THE ASSEMBLY DOWN IN THE CORRESPONDING GROOVES IN THE FRONT.



LOUVER ASSEMBLY
STEP - 22

LEFT

DRIVE LOUVER
ASSEMBLY
STEP - 20

FRONT

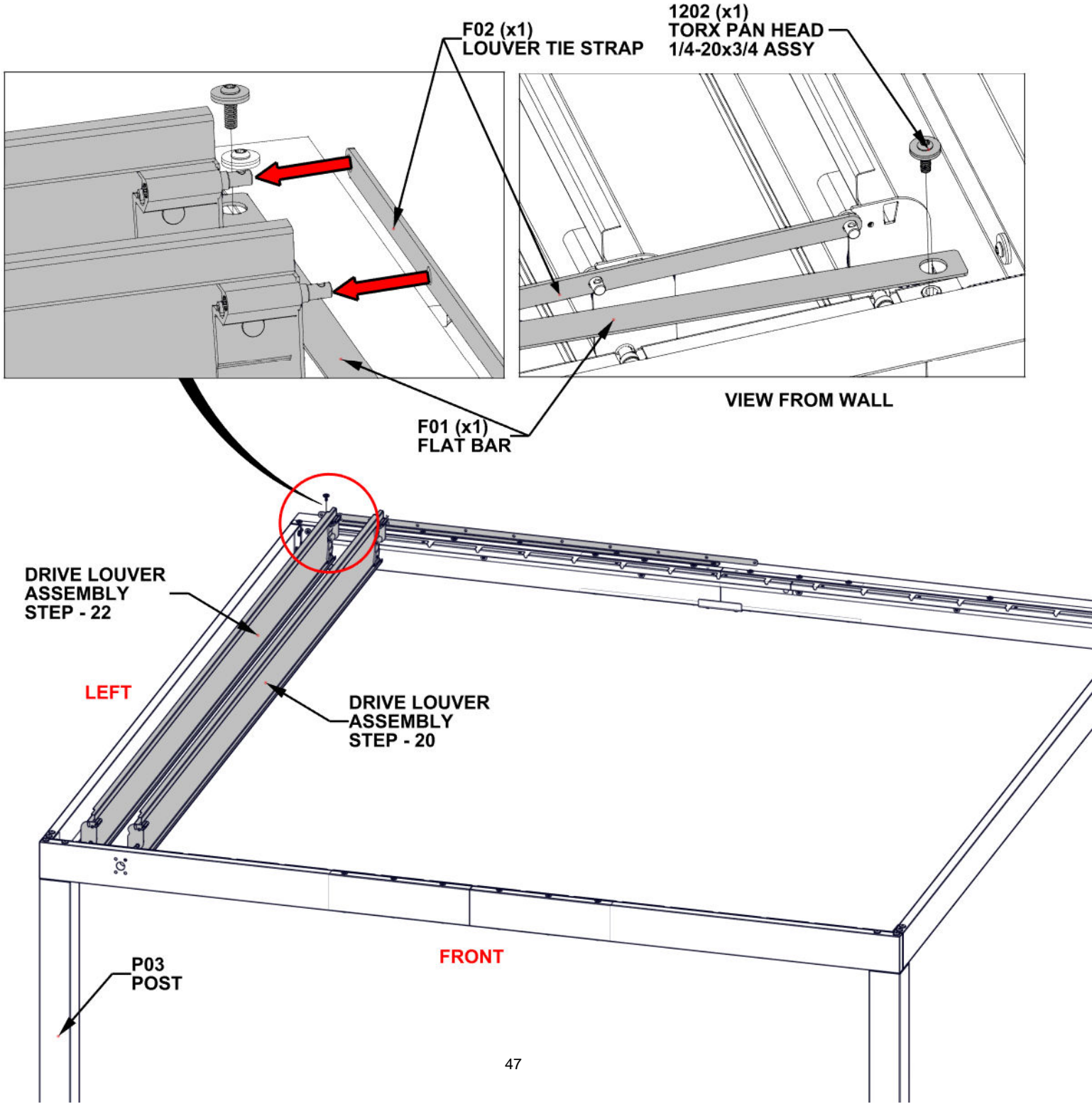
STEP 23B - LOUVER INSTALLATION

Qty	PartNo	Description
1	H101202	TORX PAN HEAD 1/4-20x3/4 ASSY

F01 FLAT BAR - A4M04122
(x1) 1/16"x1"x55 3/4" (2x25x1416)

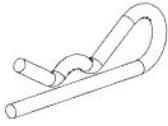
F02 LOUVER TIE STRAP - A4M04121
(x1) 1/8"x13/16"x61 3/8" (3x20x1559)

- ON THE BACK SIDE, INSTALL FLAT BAR AND INSTALL ONE BOLT TO HOLD IN PLACE.
- ATTACH LOUVER TIE STRAP AND SLIDE OVER PINS ON LOUVER ASSEMBLIES.

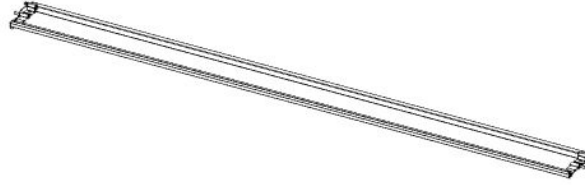


STEP 23C - LOUVER INSTALLATION

Qty	PartNo	Description
1	H101202	TORX PAN HEAD 1/4-20x3/4 ASSY

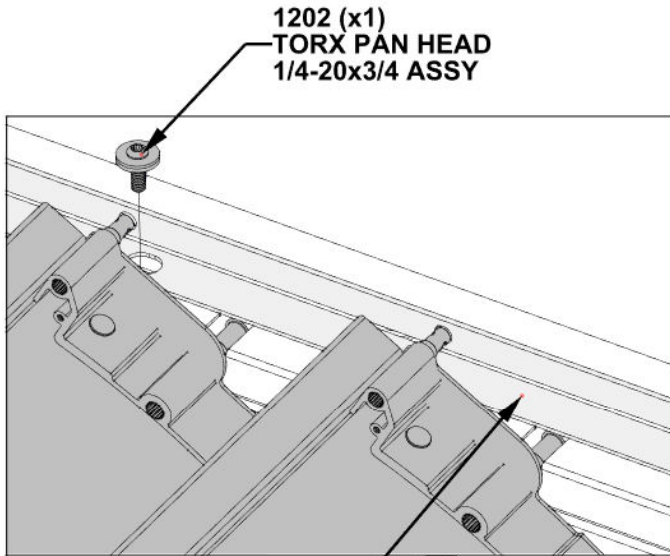


H101161 COTTER PIN
(x4)

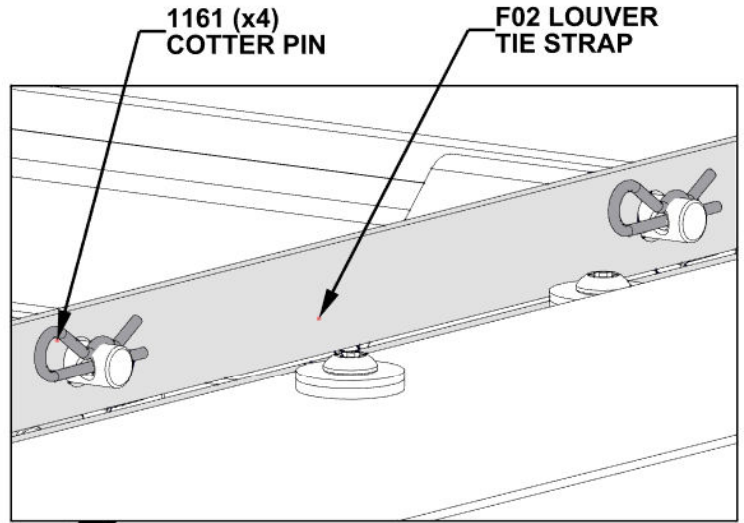


LOUVER ASSEMBLY STEP - 22
(x2)

- ON THE BACK SIDE, LIFT TIE STRAP AND FLAT BAR UP ENOUGH TO SLIDE LOUVERS INTO GROOVES IN LOUVER MOUNTS.
- SLIDE TIE STRAP ONTO PINS ON LOUVER ASSEMBLIES.
- SET LOUVER ASSEMBLIES IN CORRESPONDING HOLES IN FRONT OF UNIT.
- **MAKE SURE ALL LOUVER BLADE ASSEMBLIES ARE ORIENTED IN THE SAME DIRECTION.**
- ATTACH COTTER PINS TO EACH OF THE INSTALLED LOUVER BLADES ON THE BACK SIDE.



1202 (x1)
TORX PAN HEAD
1/4-20x3/4 ASSY



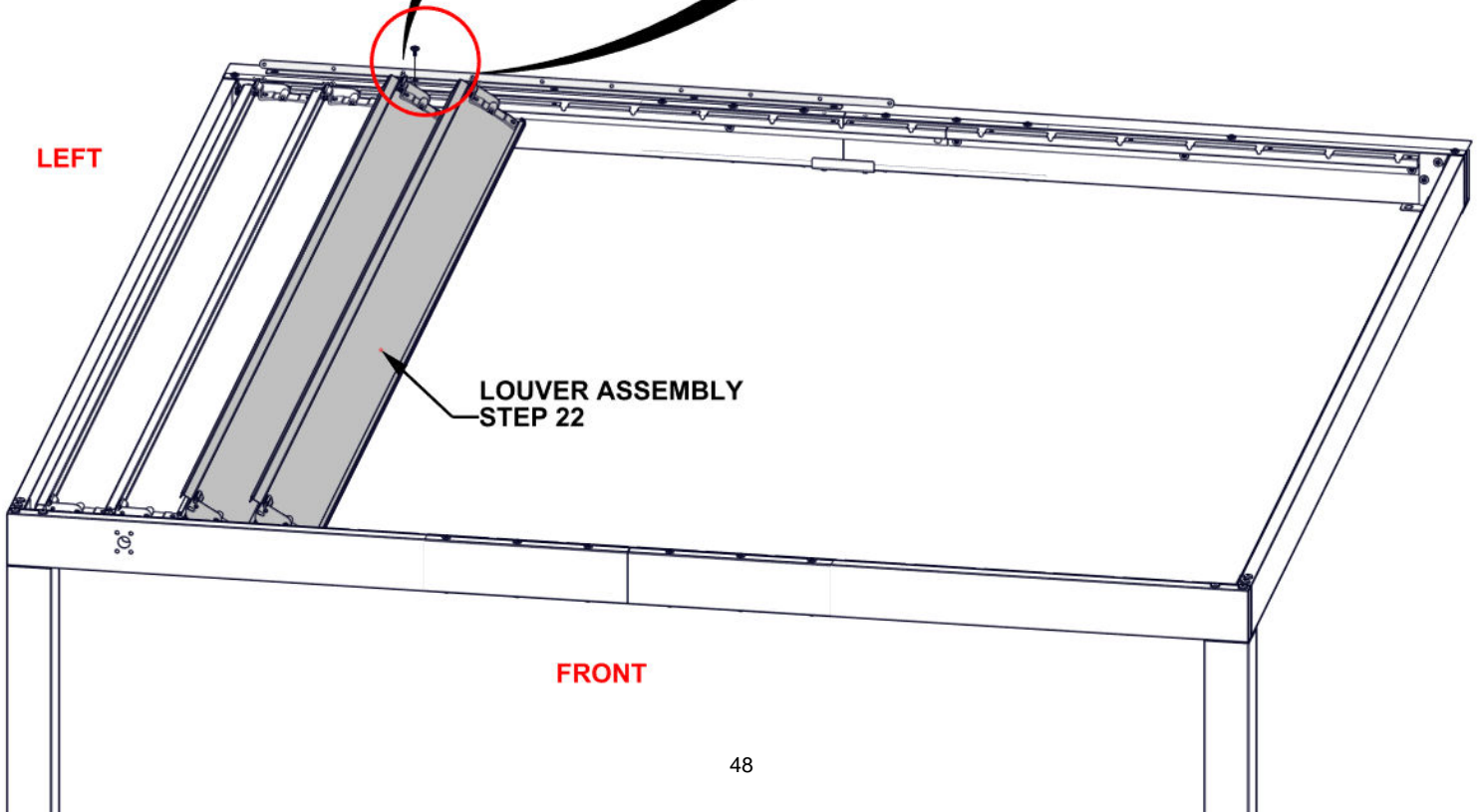
1161 (x4)
COTTER PIN

F02 LOUVER
TIE STRAP

F01
FLAT BAR

VIEW FROM WALL

LEFT

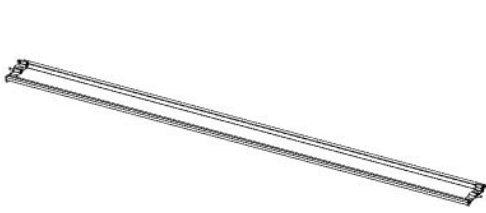


LOUVER ASSEMBLY
STEP 22

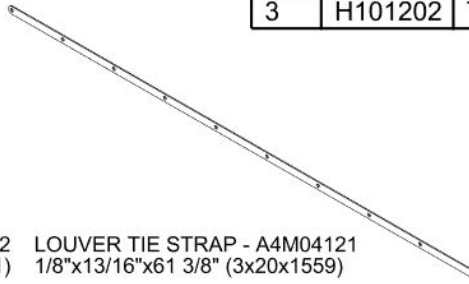
FRONT

STEP 23D - LOUVER INSTALLATION

Qty	PartNo	Description
3	H101202	TORX PAN HEAD 1/4-20x3/4 ASSY

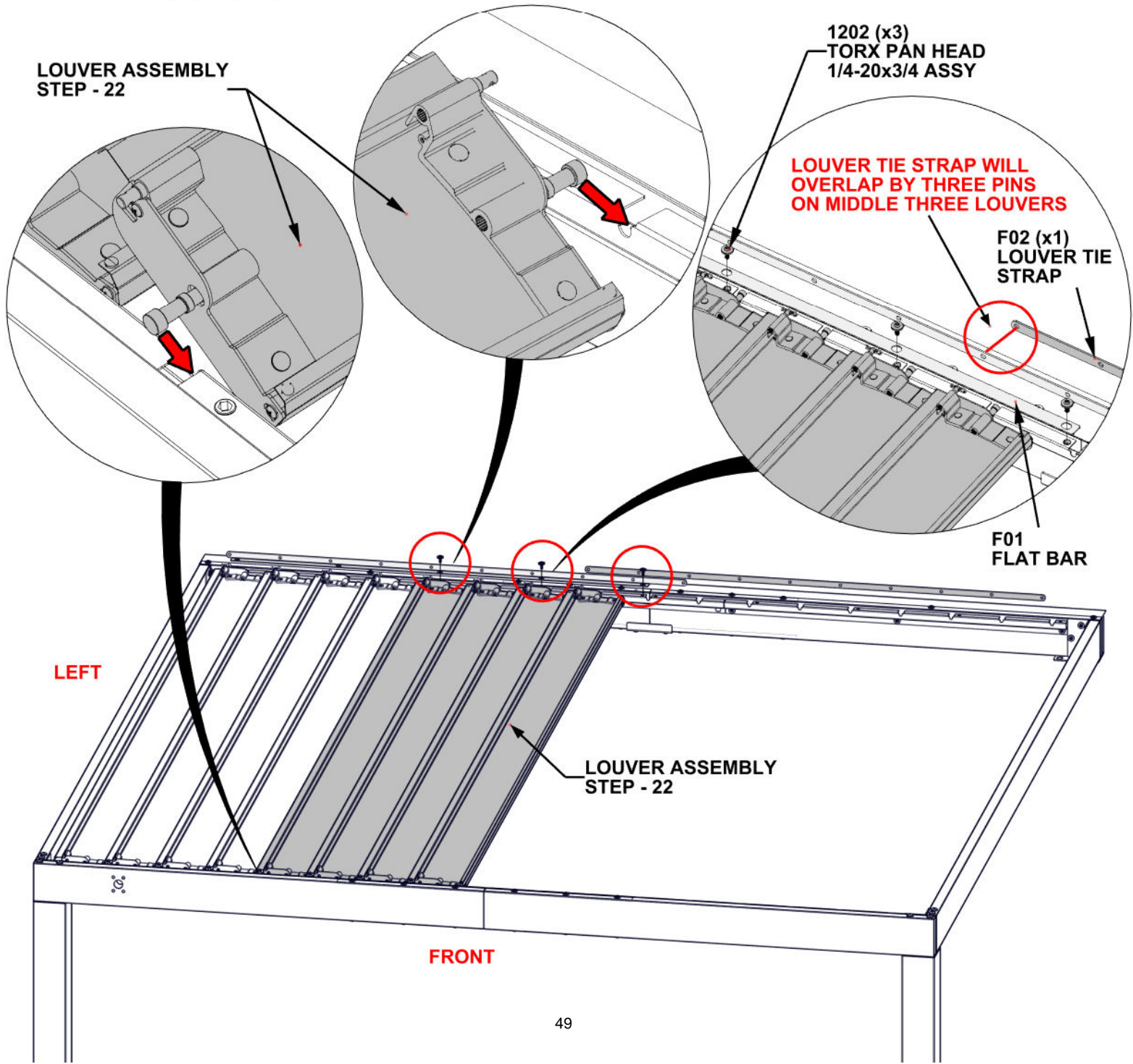


LOUVER ASSEMBLY STEP - 22
(x4)

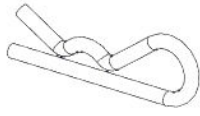


F02 LOUVER TIE STRAP - A4M04121
(x1) 1/8"x13/16"x61 3/8" (3x20x1559)

- ON THE BACK SIDE, LIFT TIE STRAP AND FLAT BAR UP ENOUGH TO SLIDE LOUVERS INTO GROOVES IN LOUVER MOUNTS.
- SLIDE TIE STRAP ONTO PINS ON LOUVER ASSEMBLIES.
- SET LOUVER ASSEMBLIES IN CORRESPONDING HOLES IN FRONT OF UNIT.
- **MAKE SURE ALL LOUVER BLADE ASSEMBLIES ARE ORIENTED IN THE SAME DIRECTION.**
- ATTACH FLAT BAR WITH THREE BOLTS.

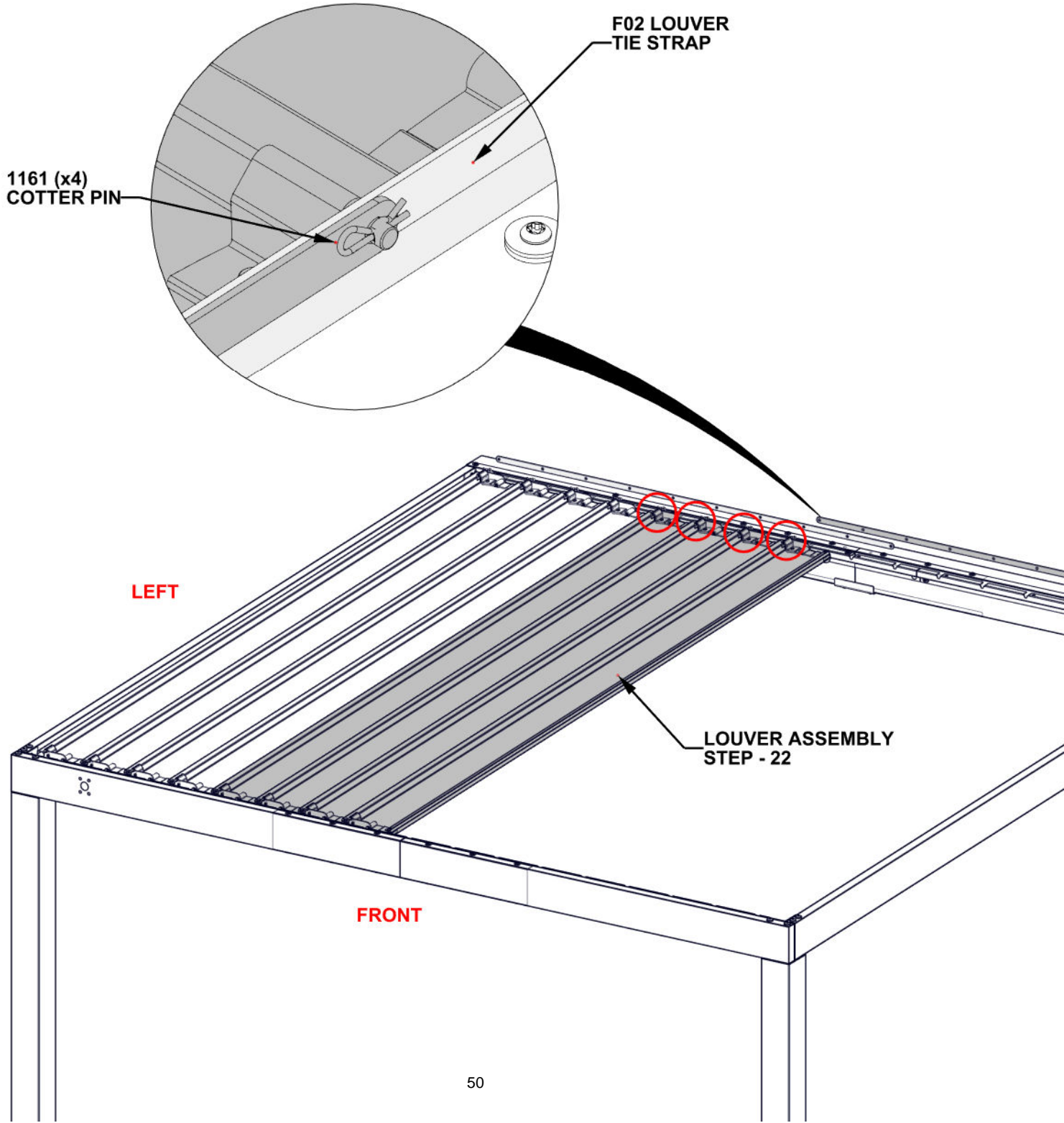


STEP 23E - LOUVER INSTALLATION



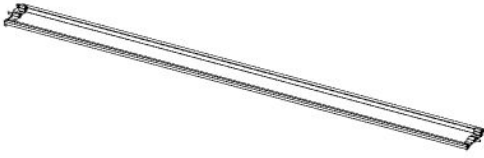
H101161 COTTER PIN
(x4)

- MAKE SURE ALL LOUVER BLADE ASSEMBLIES ARE ORIENTED IN THE SAME DIRECTION.
- ATTACH COTTER PINS TO EACH OF THE INSTALLED LOUVER BLADES ON THE BACK SIDE.

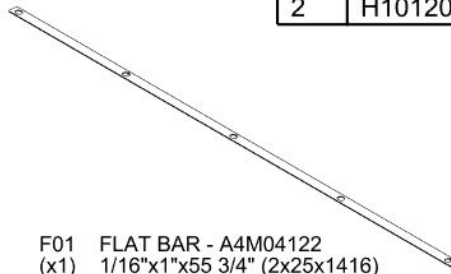


STEP 23F - LOUVER INSTALLATION

Qty	PartNo	Description
2	H101202	TORX PAN HEAD 1/4-20x3/4 ASSY



LOUVER ASSEMBLY STEP - 22
(x4)

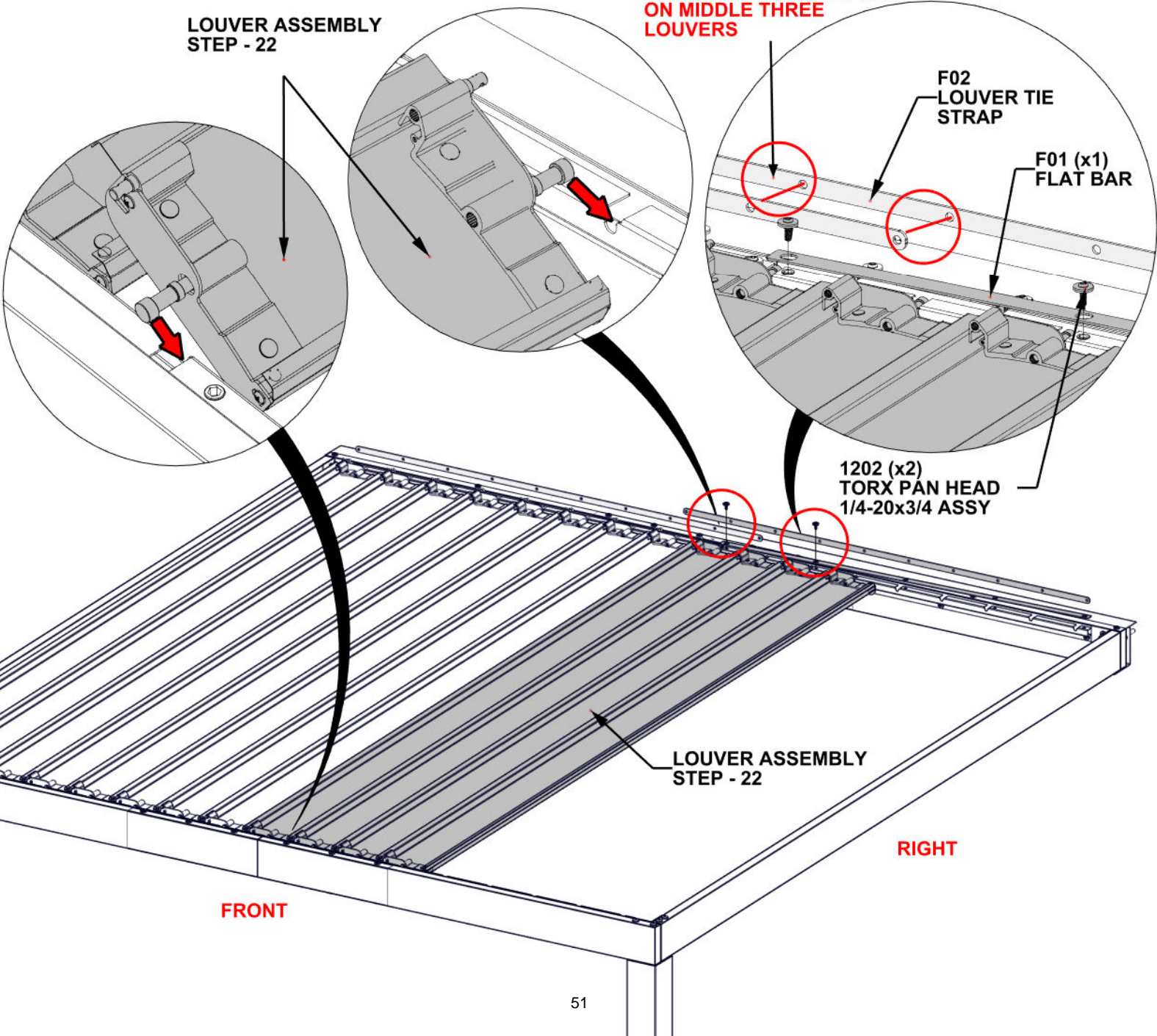


F01 FLAT BAR - A4M04122
(x1) 1/16"x1"x55 3/4" (2x25x1416)

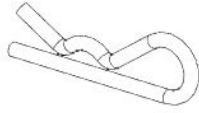
- ON THE BACK SIDE, LIFT TIE STRAP AND FLAT BAR UP ENOUGH TO SLIDE LOUVERS INTO GROOVES IN LOUVER MOUNTS.
- SLIDE TIE STRAP ONTO PINS ON LOUVER ASSEMBLIES.
- SET LOUVER ASSEMBLIES IN CORRESPONDING HOLES IN FRONT OF UNIT.
- **MAKE SURE ALL LOUVER BLADE ASSEMBLIES ARE ORIENTED IN THE SAME DIRECTION.**
- ATTACH FLAT BAR WITH TWO BOLTS.

LOUVER ASSEMBLY
STEP - 22

**LOUVER TIE STRAP WILL
OVERLAP BY THREE PINS
ON MIDDLE THREE
LOUVERS**

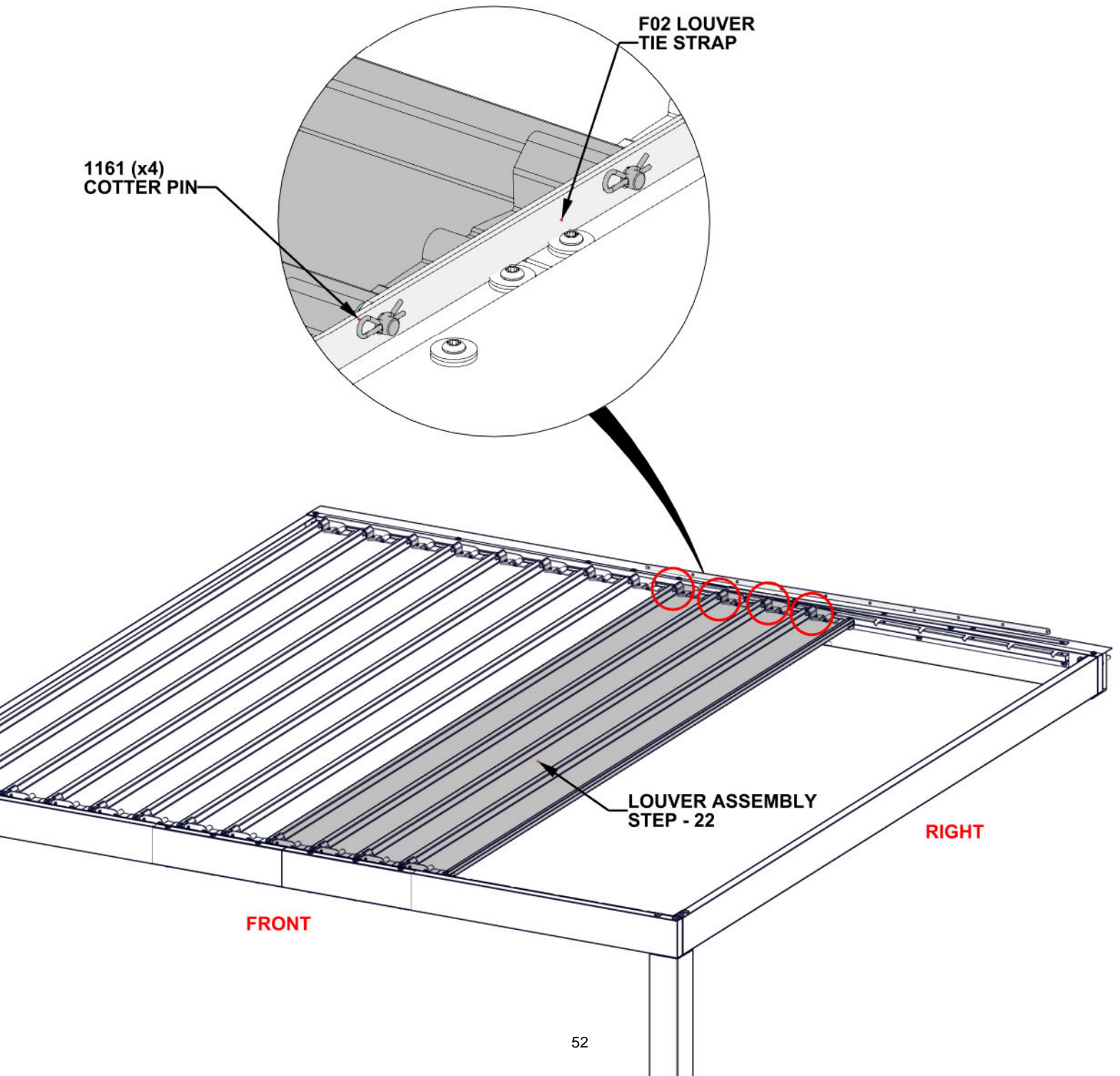


STEP 23G - LOUVER INSTALLATION



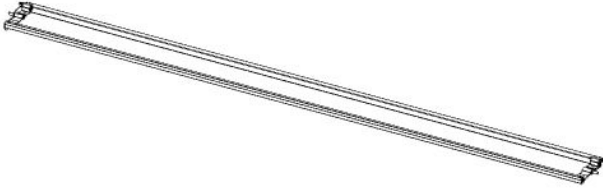
H101161 COTTER PIN
(x4)

- MAKE SURE ALL LOUVER BLADE ASSEMBLIES ARE ORIENTED IN THE SAME DIRECTION.
- ATTACH COTTER PINS TO EACH OF THE INSTALLED LOUVER BLADES ON THE BACK SIDE.



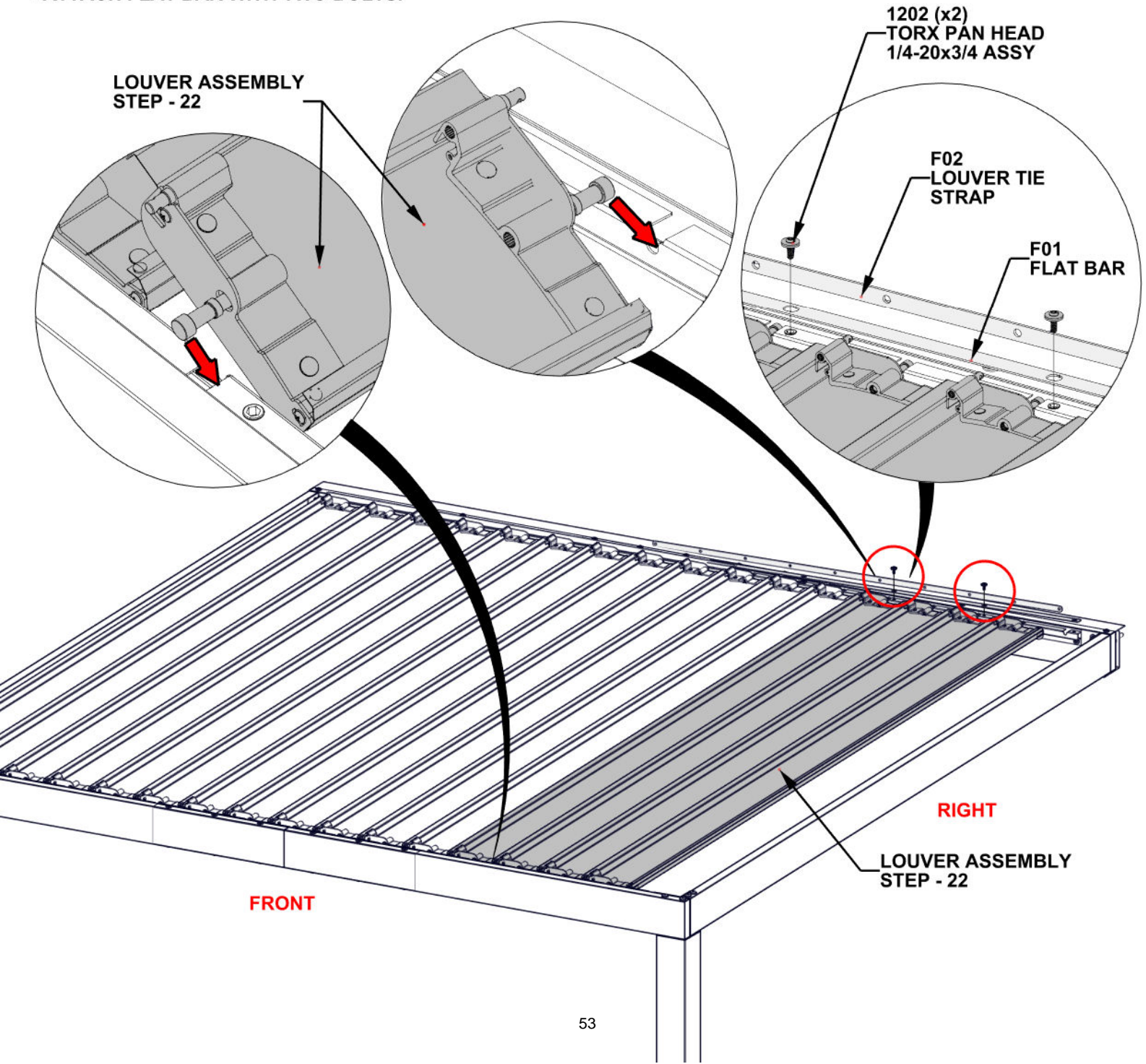
STEP 23H - LOUVER INSTALLATION

Qty	PartNo	Description
2	H101202	TORX PAN HEAD 1/4-20x3/4 ASSY

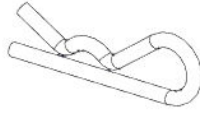


LOUVER ASSEMBLY STEP - 22
(x4)

- ON THE BACK SIDE, LIFT TIE STRAP AND FLAT BAR UP ENOUGH TO SLIDE LOUVERS INTO GROOVES IN LOUVER MOUNTS.
- SLIDE TIE STRAP ONTO PINS ON LOUVER ASSEMBLIES.
- SET LOUVER ASSEMBLIES IN CORRESPONDING HOLES IN FRONT OF UNIT.
- **MAKE SURE ALL LOUVER BLADE ASSEMBLIES ARE ORIENTED IN THE SAME DIRECTION.**
- ATTACH FLAT BAR WITH TWO BOLTS.

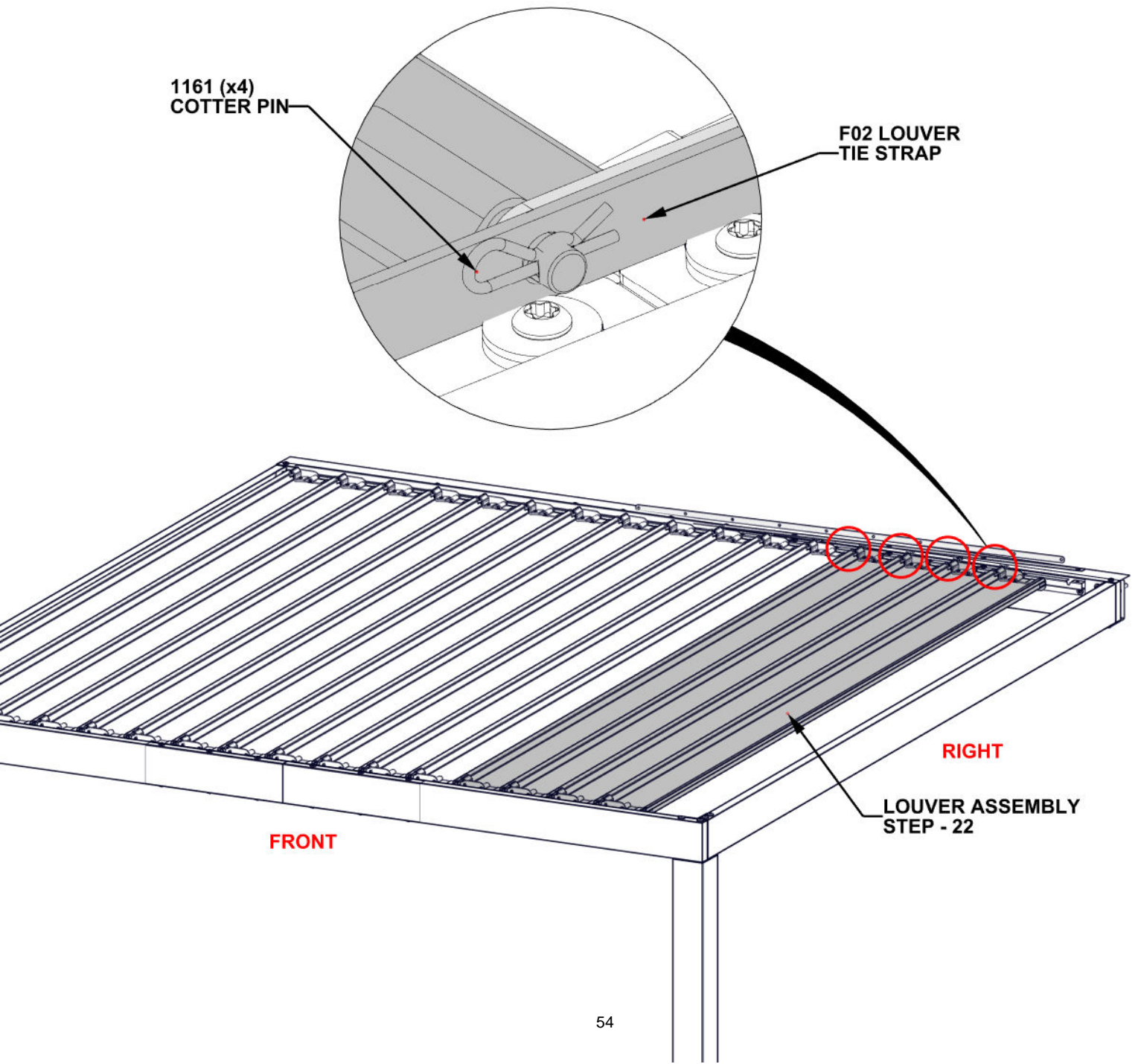


STEP 23I - LOUVER INSTALLATION



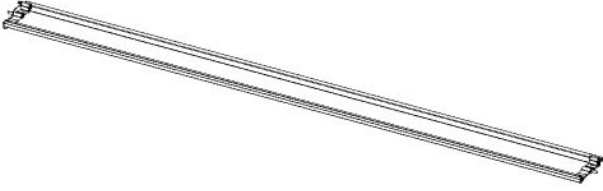
H101161 COTTER PIN
(x4)

- MAKE SURE ALL LOUVER BLADE ASSEMBLIES ARE ORIENTED IN THE SAME DIRECTION.
- ATTACH COTTER PINS TO EACH OF THE INSTALLED LOUVER BLADES ON THE BACK SIDE.



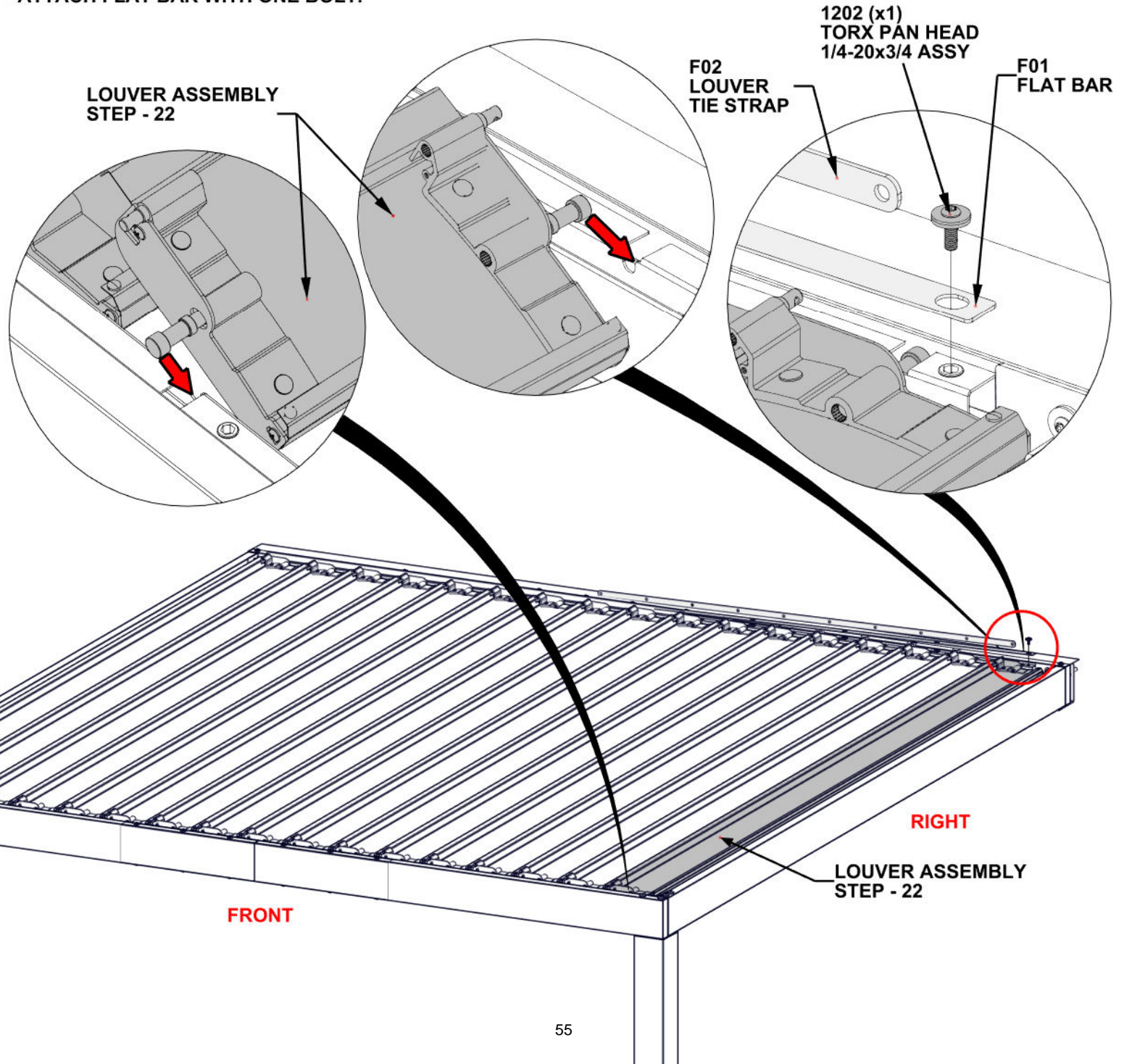
STEP 23J - LOUVER INSTALLATION

Qty	PartNo	Description
1	H101202	TORX PAN HEAD 1/4-20x3/4 ASSY



LOUVER ASSEMBLY STEP - 22
(x1)

- ON THE BACK SIDE, LIFT TIE STRAP AND FLAT BAR UP ENOUGH TO SLIDE LOUVERS INTO GROOVES IN LOUVER MOUNTS.
- SLIDE TIE STRAP ONTO PINS ON LOUVER ASSEMBLIES.
- SET LOUVER ASSEMBLIES IN CORRESPONDING HOLES IN FRONT OF UNIT.
- **MAKE SURE ALL LOUVER BLADE ASSEMBLIES ARE ORIENTED IN THE SAME DIRECTION.**
- ATTACH FLAT BAR WITH ONE BOLT.

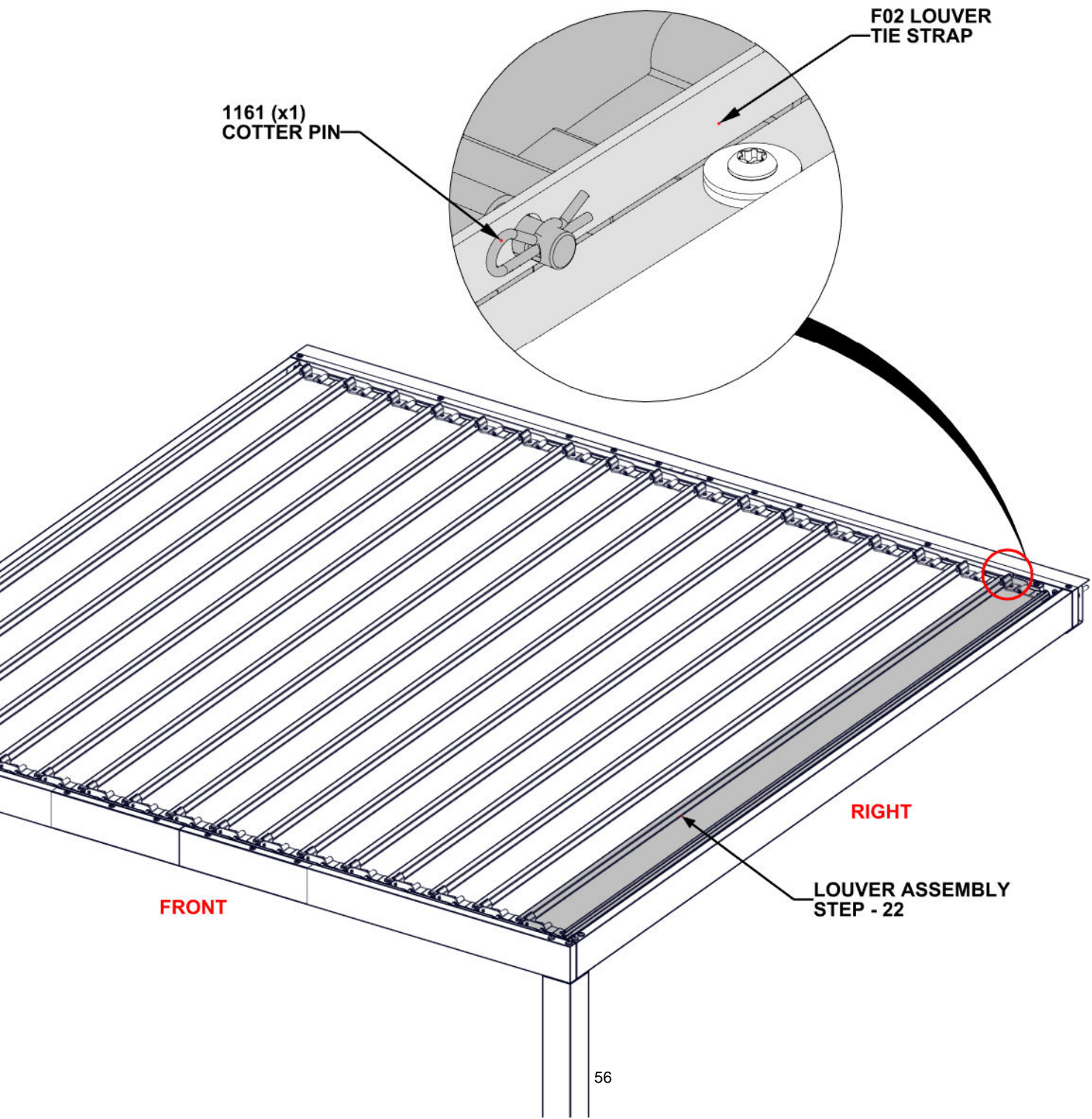


STEP 23K - LOUVER INSTALLATION



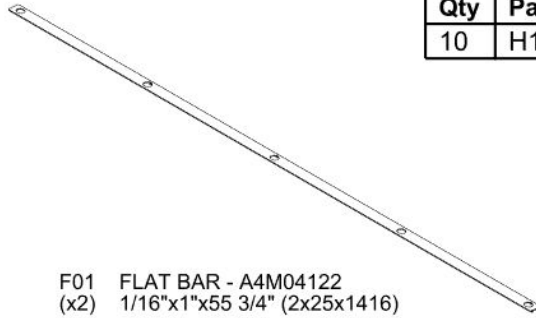
H101161 COTTER PIN
(x1)

- MAKE SURE ALL LOUVER BLADE ASSEMBLIES ARE ORIENTED IN THE SAME DIRECTION.
- ATTACH COTTER PIN TO EACH OF THE INSTALLED LOUVER BLADES ON THE BACK SIDE.



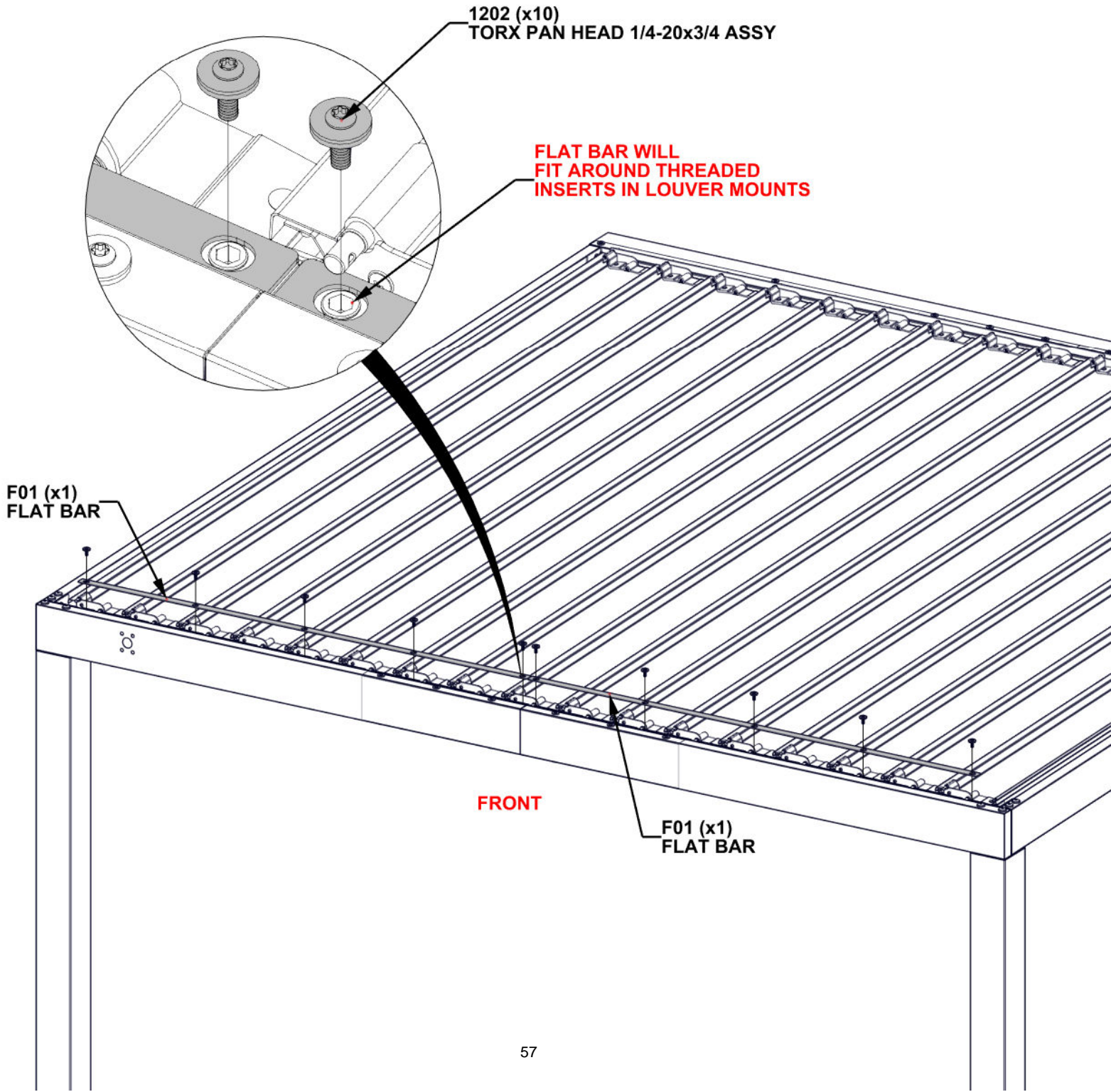
STEP 24 - LOUVER INSTALLATION

Qty	PartNo	Description
10	H101202	TORX PAN HEAD 1/4-20x3/4 ASSY



F01 FLAT BAR - A4M04122
(x2) 1/16"x1"x55 3/4" (2x25x1416)

- ON THE FRONT SIDE, ATTACH FLAT BAR ALONG EACH LOUVER MOUNT. FLAT BAR WILL HOLD ALL LOUVERS IN PLACE.

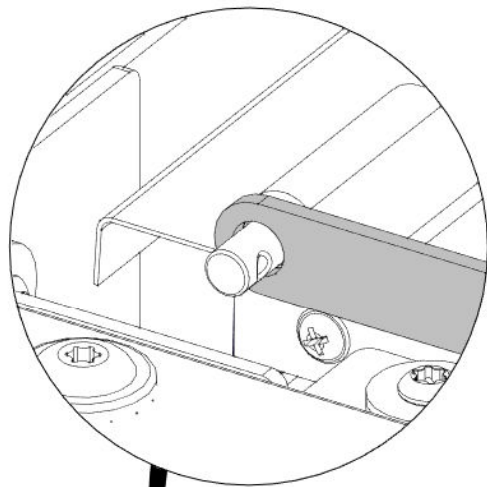
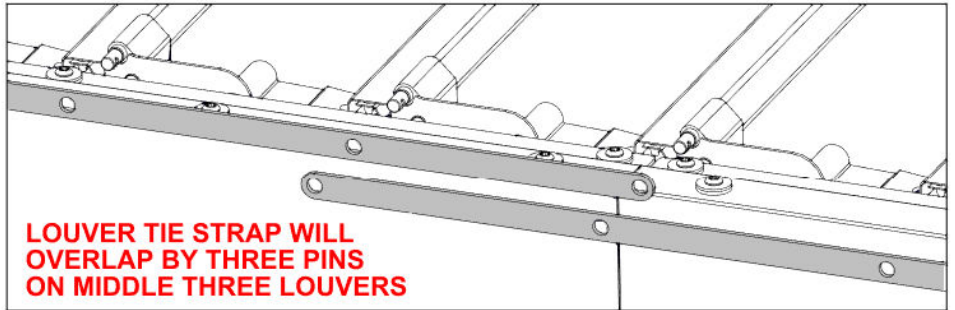


STEP 25A - LOUVER INSTALLATION

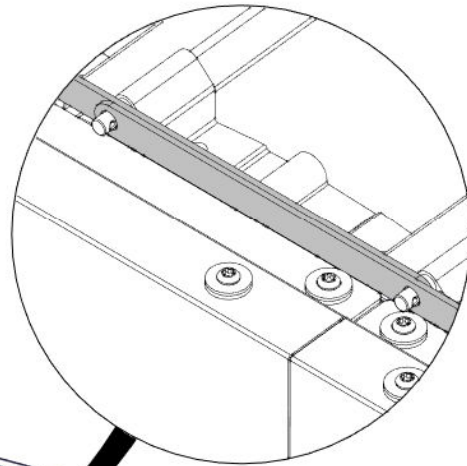


F02 LOUVER TIE STRAP - A4M04121
(x2) 1/8"x13/16"x61 3/8" (3x20x1559)

- LOUVER TIE STRAPS WILL CONNECT ALL LOUVERS TO ONE ANOTHER.
- STARTING ON THE LEFT AND WORKING TO THE RIGHT, CONNECT LOUVERS USING TIE STRAPS. OVERLAP TIE STRAPS TO HOLD MIDDLE LOUVERS TOGETHER.



LEFT



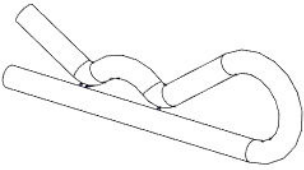
RIGHT

F02 (x1)
LOUVER TIE STRAP

FRONT

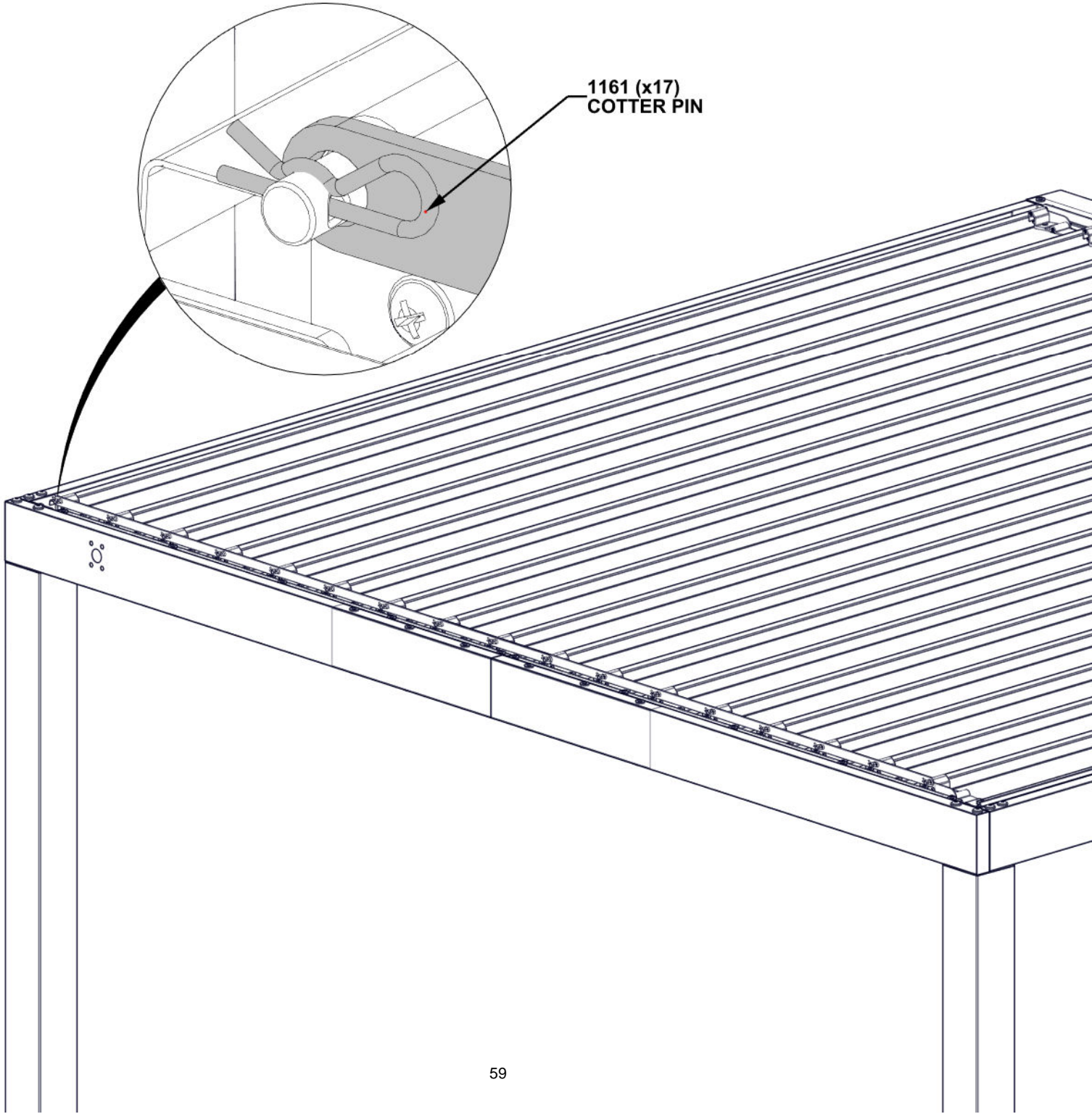
F02 (x1)
LOUVER TIE STRAP

STEP 25B - LOUVER INSTALLATION



H101161 COTTER PIN
(x17)

- INSTALL COTTER PINS ON EACH LOUVER TO HOLD TIE STRAP IN PLACE.
- CONFIRM ALL HARDWARE HAS BEEN TIGHTENED FROM PREVIOUS STEPS.



STEP 26 - LOUVER MECHANISM

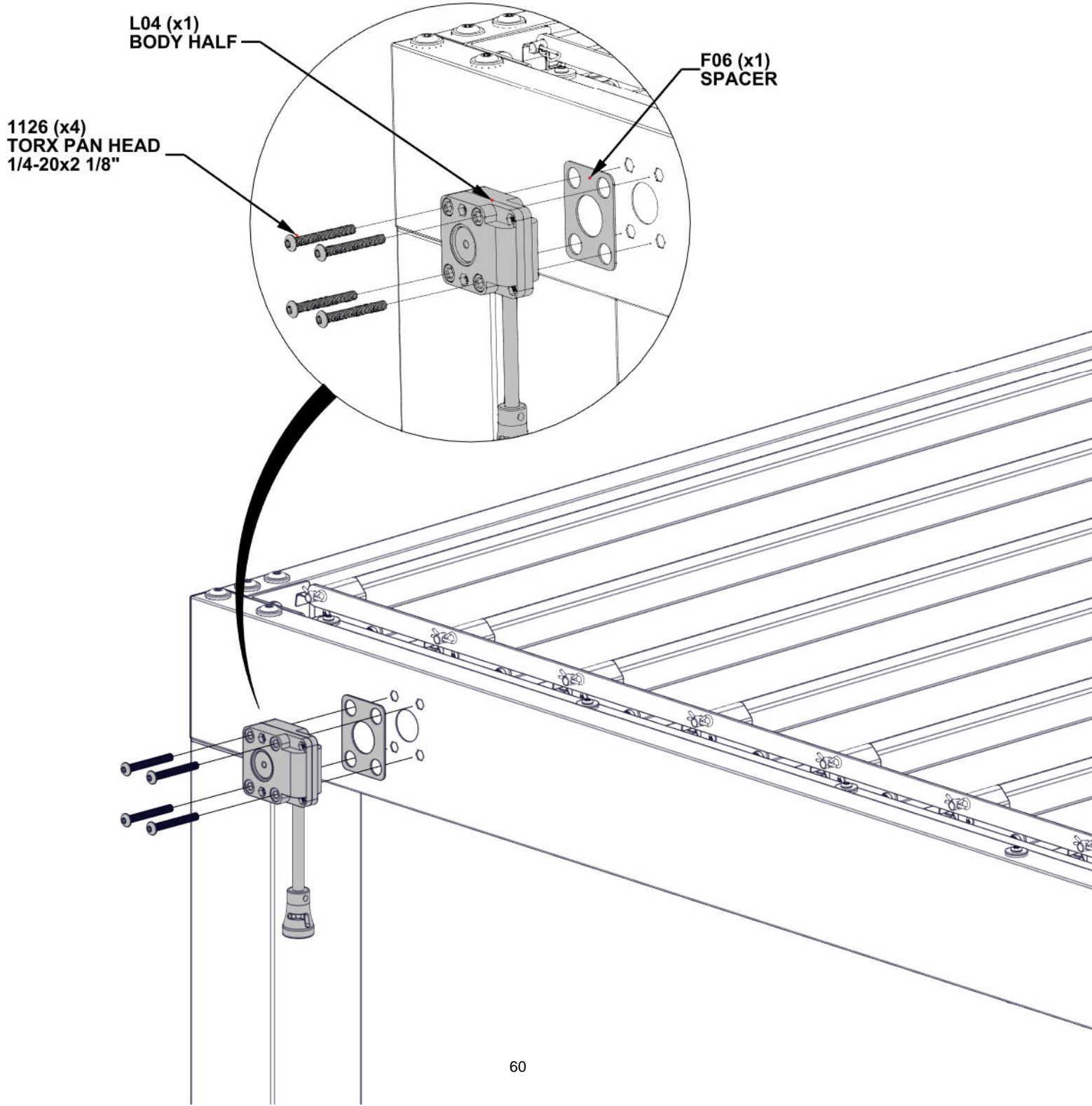
Qty	PartNo	Description
4	H101126	TORX PAN HEAD 1/4-20x2 1/8"BLK



L04 BODY HALF - A4M02132
(x1) 1 1/16"x2 1/2"x2 7/8" (17x64x73)

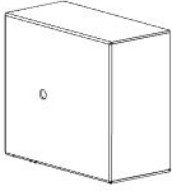
F06 SPACER - A4M02227
(x1) 1/16"x2 3/16"x2 3/4" (1.5x56x70)

- ALIGN SCREW HOLES.



STEP 27 - LOUVER MECHANISM

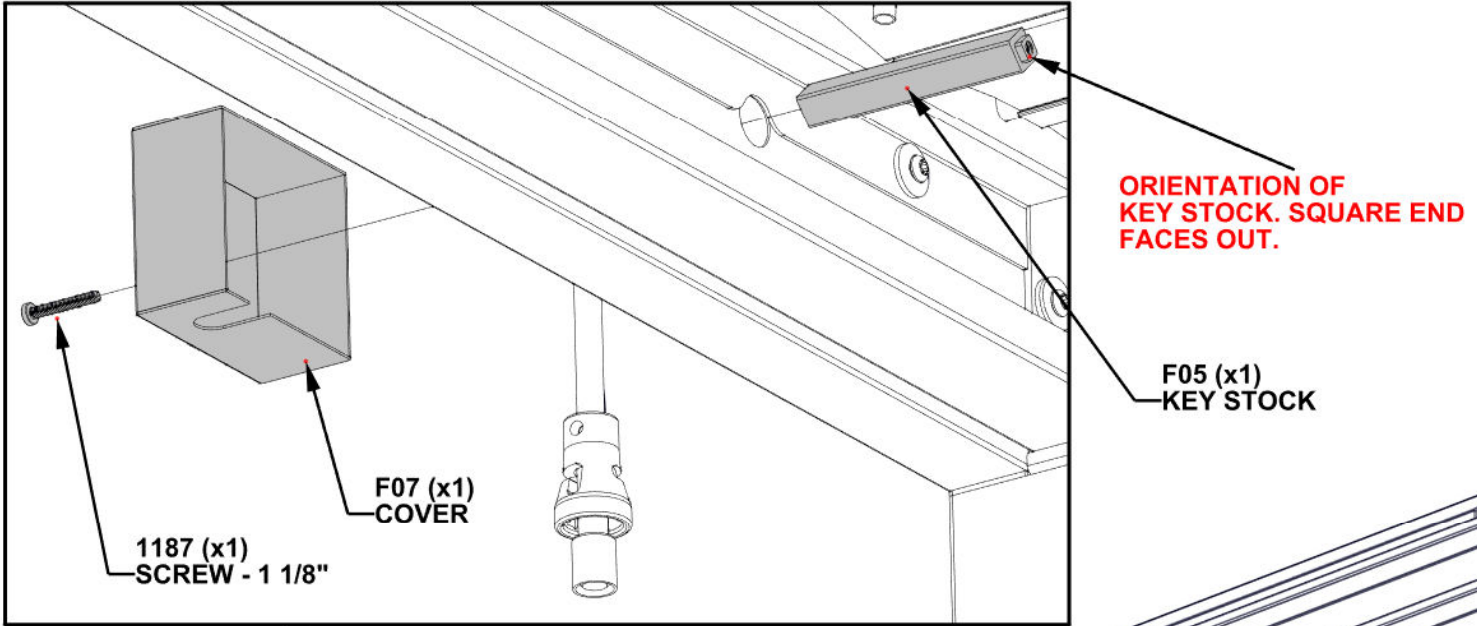
Qty	PartNo	Description
1	H101187	BOLT PPH 8-32x1 1/8 BLK



F07 COVER - A4M02228
(x1) 1 9/16"x2 7/8"x3 1/4" (39.5x73x82)

F05 KEY STOCK - A4M02226
(x1) 1/2"x1/2"x3 3/4" (13.0x13.0x95)

- ALIGN SCREW HOLES.



1187 (x1)
SCREW - 1 1/8"

F07 (x1)
COVER

ORIENTATION OF
KEY STOCK. SQUARE END
FACES OUT.

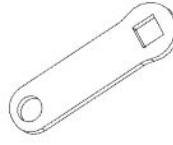
F05 (x1)
KEY STOCK

STEP 28A - LOUVER MECHANISM

Qty	PartNo	Description
1	H100653	NUT LOCK 1/4 BLK
2	H100474	WASHER FLAT 9x18 BLK
1	H101189	LOW PROFILE SHOULDER BOLT BLK



F03 LINKAGE STRAP - A4M02229
(x1) 1/2"x11/16"x3 13/16" (13x17x97)

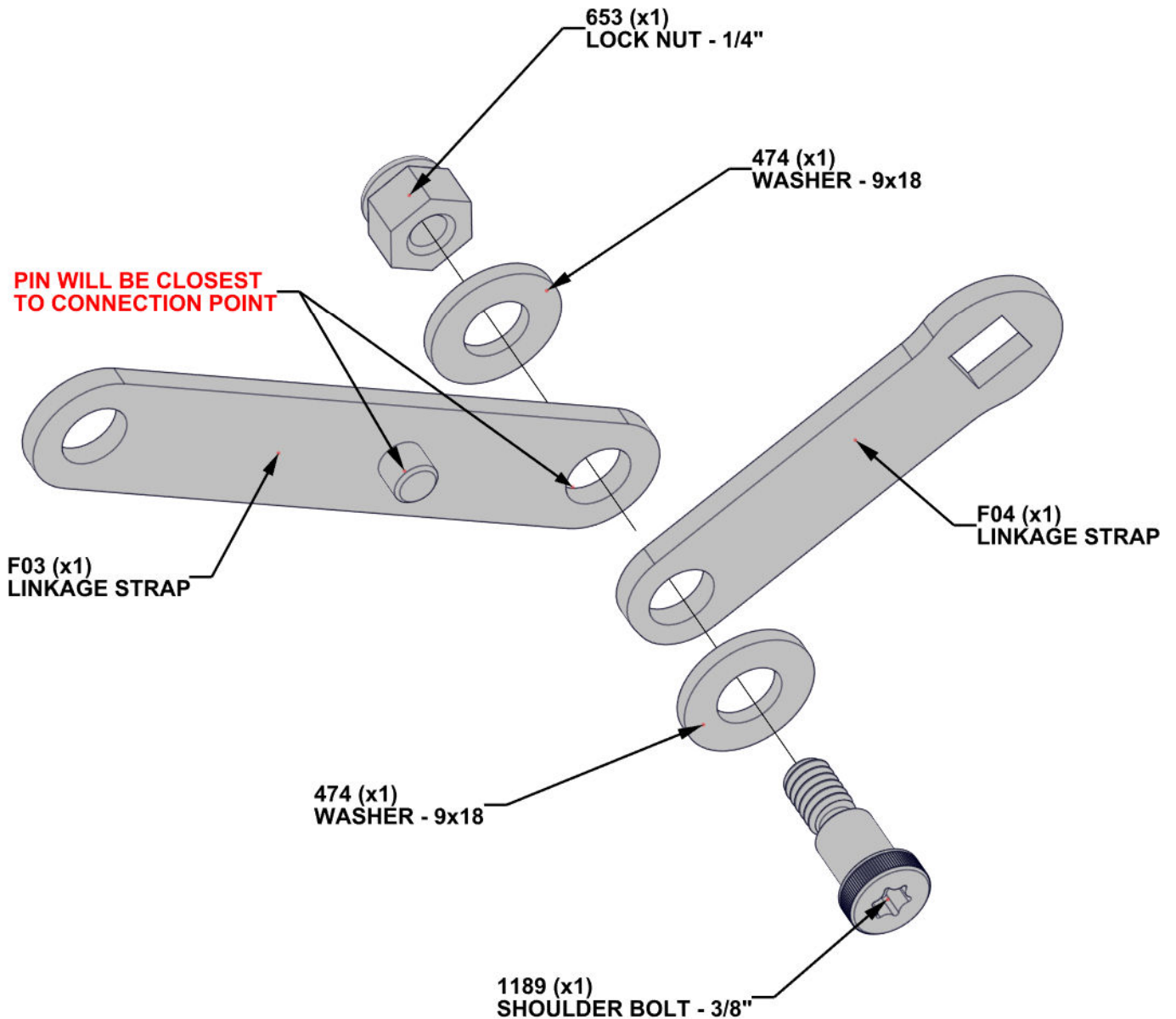


F04 LINKAGE STRAP - A4M02225
(x1) 1/8"x13/16"x2 5/8" (3x20x66)

- LINKAGES MUST BE ORIENTED AS SHOWN BELOW.

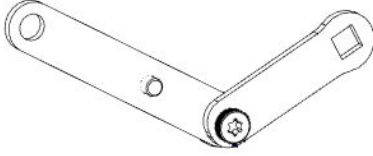
- DO NOT OVERTIGHTEN HARDWARE.

- LINKAGES SHOULD BE ABLE TO ROTATE FREELY.



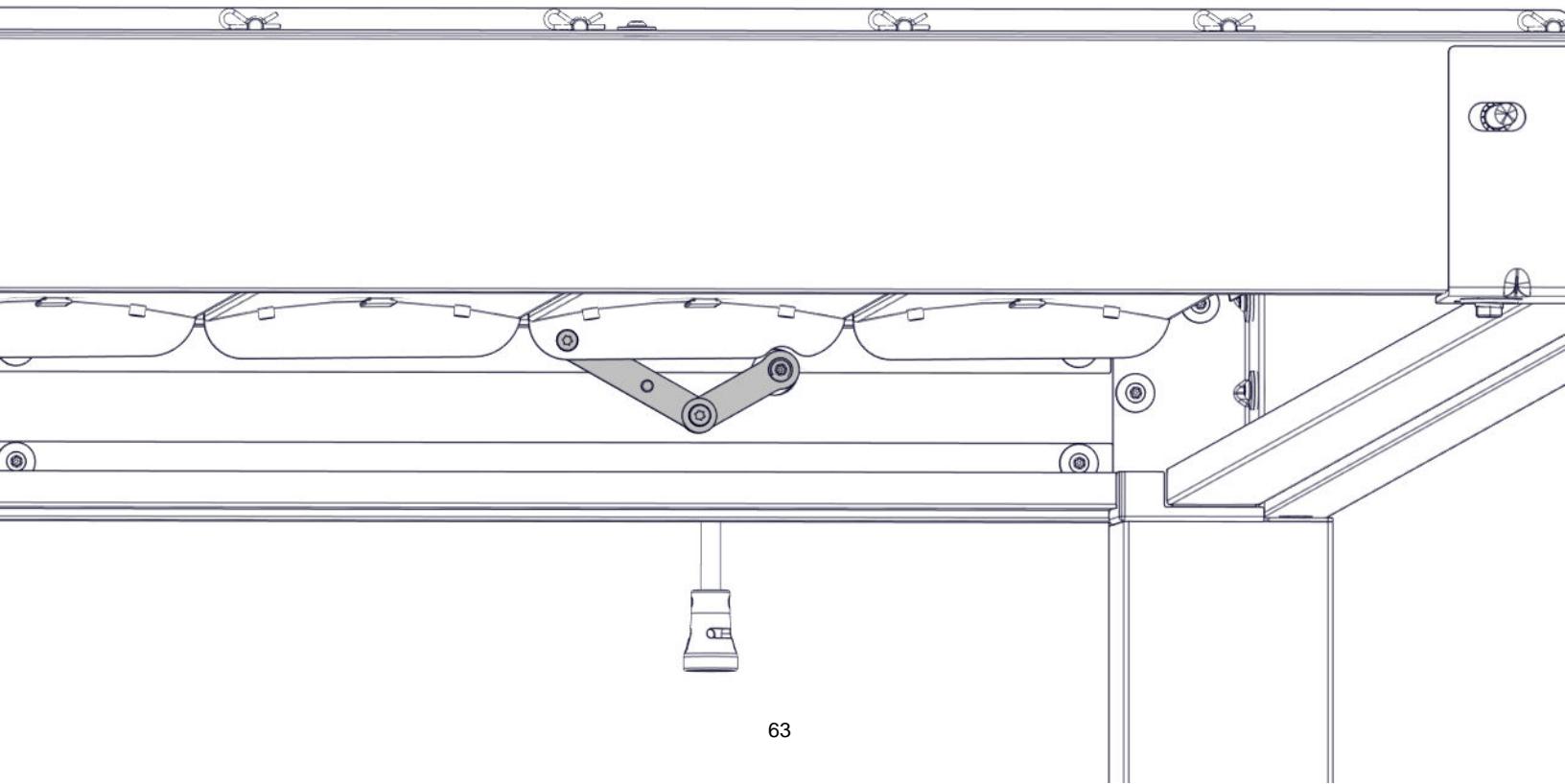
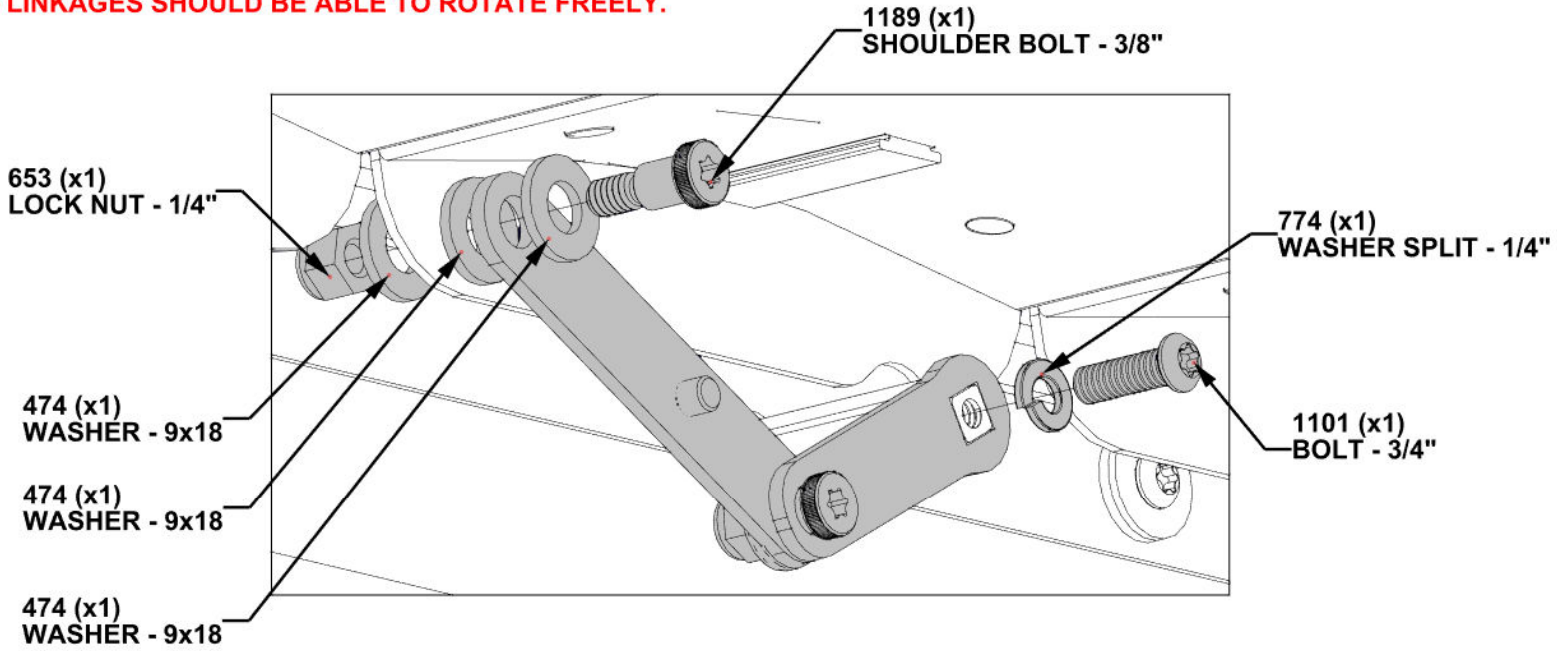
STEP 28B - LOUVER MECHANISM

Qty	PartNo	Description
1	H100653	NUT LOCK 1/4 BLK
3	H100474	WASHER FLAT 9x18 BLK
1	H100774	WASHER SPLIT 1/4 BLK
1	H101101	TORX PAN HEAD 1/4-20x3/4"
1	H101189	LOW PROFILE SHOULDER BOLT BLK



LINKAGE ASSEMBLY
STEP - 28A

- LINKAGES MUST BE ORIENTED AS SHOWN BELOW.
- DO NOT OVERTIGHTEN HARDWARE.
- LINKAGES SHOULD BE ABLE TO ROTATE FREELY.

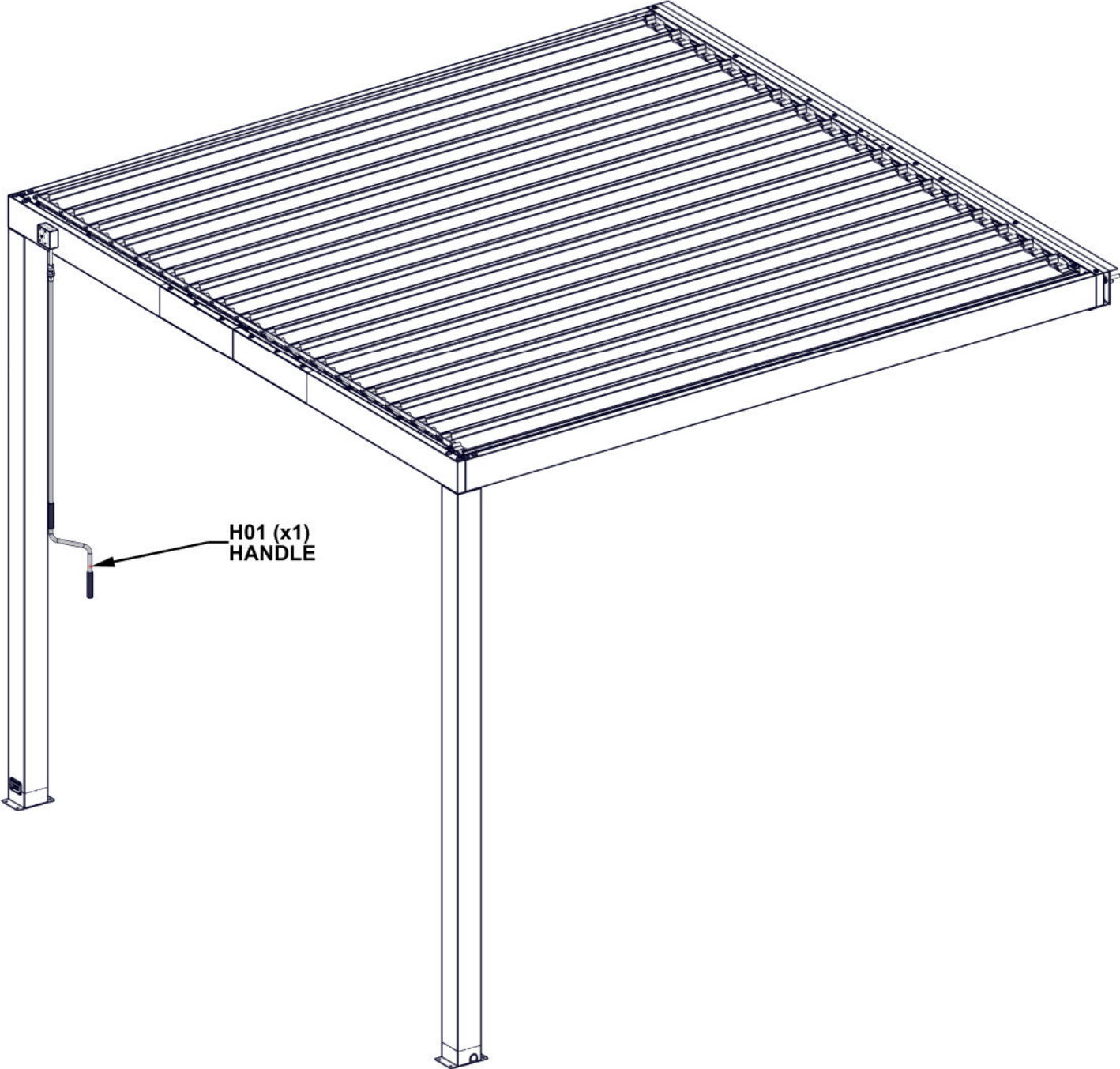


STEP 28C - LOUVER MECHANISM



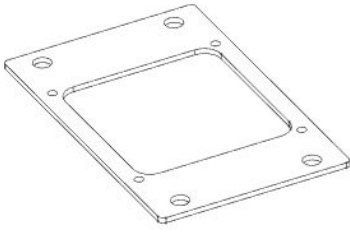
H01 HANDLE - A4M04022
(x1)

- CONNECT CRANK HANDLE TO MECHANISM. TURN HANDLE TO LOCK IN PLACE.



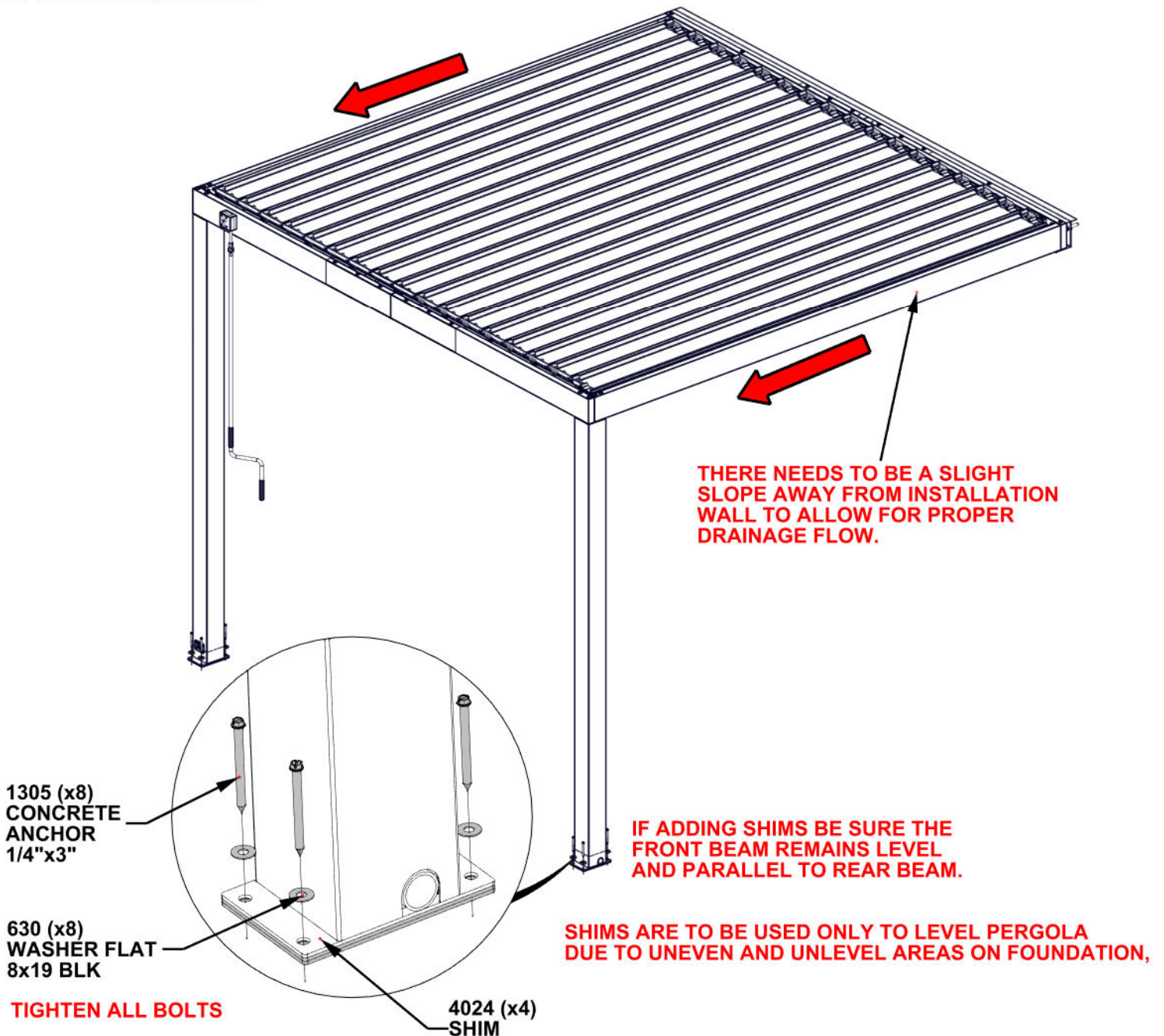
STEP 29 - PERGOLA ANCHORING

Qty	PartNo	Description
8	H100630	WASHER FLAT 8x19 BLK
8	H101305	CONCRETE ANCHOR 1/4"x3" BLK



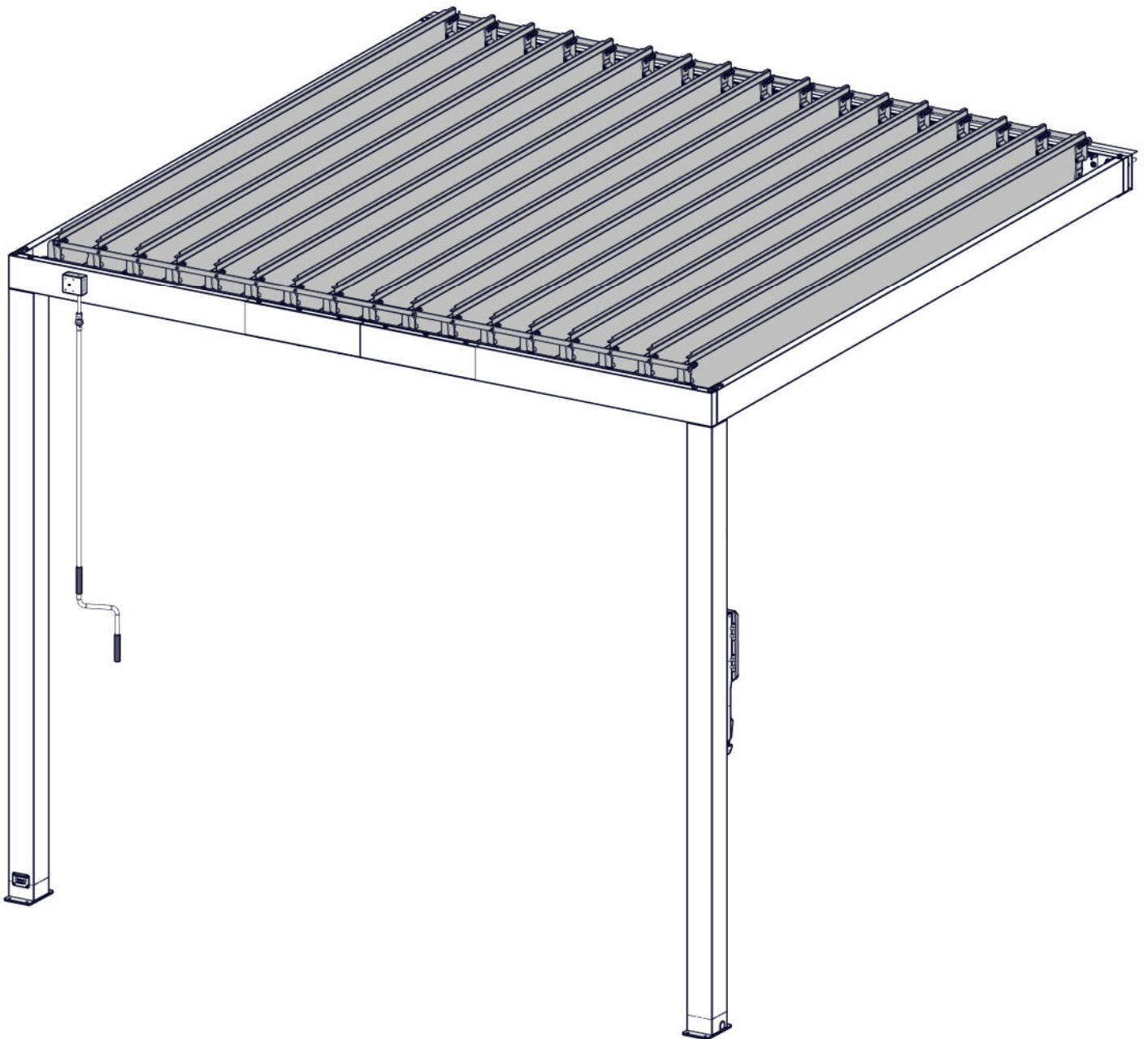
4024 SHIM - A4M04024
(x4) 1/8"x4 3/8"x6 3/4" (3x110x172)

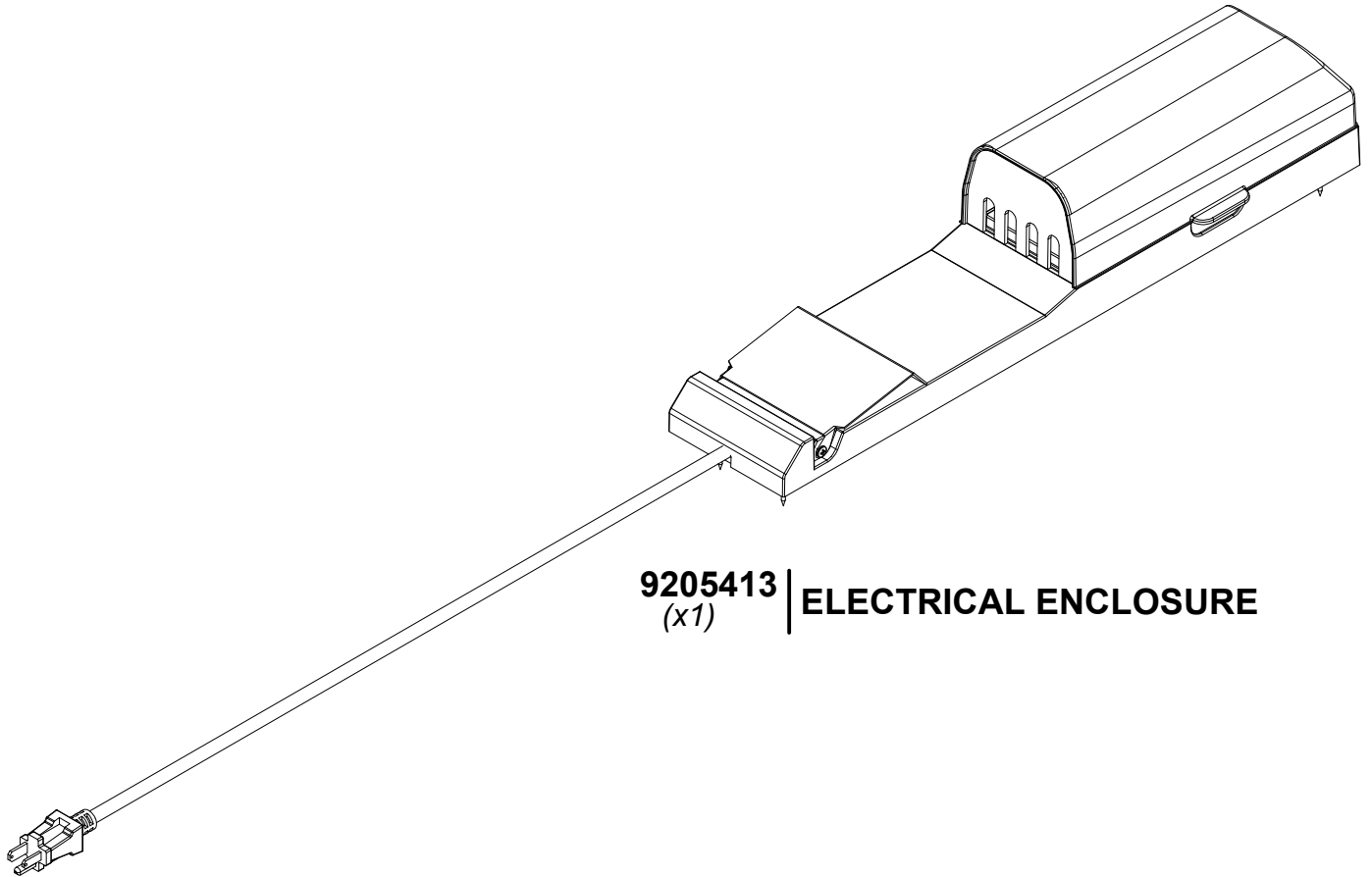
- NOTES:**
- MANUFACTURER RECOMMENDS INSTALLATION ON CONCRETE SURFACE OR CONCRETE POST PADS. SEE BELOW.
 - FOR INSTALLATION ON WOOD DECKS, YOU MUST ENSURE THERE IS AMPLE STRUCTURAL SUPPORT UNDER DECK.
 - PRE-DRILL HOLES FOR CONCRETE ANCHORS USING A 3/16" [5 mm] CONCRETE DRILL BIT.
 - REPEAT THIS STEP FOR TWO POSTS.
 - THERE NEEDS TO BE A SLIGHT SLOPE AWAY FROM INSTALLATION WALL TO ALLOW FOR PROPER DRAINAGE FLOW.



STEP 30 - PREVENTATIVE MAINTENANCE

NOTE - IT IS IMPORTANT TO TAKE CAUTION WHEN HIGH WINDS OR WINTER WEATHER SUCH AS ICE OR SNOW IS EXPECTED. IF INCLEMENT WEATHER ARISES, IT IS RECOMMENDED TO TURN LOUVERS INTO THE FULLY OPEN (UPRIGHT) POSITION. THIS WILL PREVENT DAMAGE TO THE STRUCTURE AND DECREASE THE CHANCES OF STRUCTURE OR LOUVER DAMAGE.





9205413 | **ELECTRICAL ENCLOSURE**
(x1)

FOR POWERPORT INSTALLATION REFER TO ASSEMBLY INSTRUCTIONS THAT COME PACKAGED WITH THE POWERPORT KIT. INSTALL ON ANY EXTERIOR POST THAT IS DESIRED. FOLLOW DIRECTIONS FOR PROPER INSTALLATION.