

**AVTUR**

BY

**minkaAire**<sup>®</sup>  
A Minka Group<sup>®</sup> Co.

*INSTRUCTION MANUAL WARRANTY CERTIFICATE*

©2024 Minka Lighting, LLC. Manual design and all elements of manual design are protected by United States Federal and/or State Law including Patents, Trademark, and/or Copyright Laws.



The Minka-Aire® warranty is for one (1) year from the date of purchase from an authorized Minka-Aire® dealer. This warranty is only valid to the original purchaser or user against all defects in material and workmanship (light bulbs excluded) for one (1) full year. Additionally, Minka-Aire® warrants the motor only for the lifetime of the Minka Aire ceiling fan (excluding wall controls and electrical components), to the original purchaser or user.

- The warranty is voided with the use of any non- Minka-Aire® electrical devices, E.g., wall controls or electrical dimmer switches, etc...
- The warranty is void once the original purchaser or user ceases to own the fan or the fan is moved from its original point of installation.
- The warranty is void with the use of any hanger bracket (non-Minka Aire or non-fan specific) other than the hanger bracket supplied & installed with this specific fan.

## Warranty Service Information

To obtain warranty service during the warranty period, the purchaser should return the fan with the sales receipt to the original place of purchase. The authorized Minka-Aire® dealer, at its sole discretion, will either repair or replace the fan after verifying the legitimacy of the warranty claim. Replacement is subject to availability of the same model. If the model is unavailable it will be replaced by one of equal value. This is a limited warranty; the original purchaser or user is responsible for the cost of removal and reinstallation of repaired or replacement product.

To obtain the name of the Minka-Aire® authorized dealer nearest you call the Minka-Aire® customer care department at 1-800-307-3267, or contact Minka-Aire® through [www.minkagroup.net](http://www.minkagroup.net) and select FAQ to answer any questions or if you require additional assistance submit the question form found there.

Data Purchased \_\_\_\_\_ Store Purchased \_\_\_\_\_ Model Number \_\_\_\_\_ F663

# CONTENTS

SAFETY RULES.....	1	ATTACHING THE FAN BLADES.....	6
PACKAGE CONTENTS.....	2	OPERATING THE REMOTE CONTROL / WALL CONTROL.....	7
INSTALLING THE MOUNTING BRACKET...	3	CARE OF YOUR FAN.....	8
ELECTRICAL CONNECTIONS.....	4	TROUBLESHOOTING.....	9
FINISHING THE INSTALLATION.....	5	SPECIFICATIONS.....	10



1151 Bradford Circle, Corona, CA 92882 • For Customer Assistance Call: 1-800-307-3267



## ***SAFETY RULES***

1. Before you begin installing the fan, shut power off at the circuit breaker of the fuse box. **Also, unplug or disconnect the appliance from the power supply before servicing.**
2. Be cautious! Read all instructions and safety information before installing your new fan. Review accompanying assembly diagrams.
3. **Make sure that all electrical connections and the installation comply with the National Electrical Code, ANSI/NFPA 70 and local codes.** Hire a qualified electrician or consult a do-it-yourself wiring handbook if you are unfamiliar with installing electrical wiring.
4. Make sure the installation site you choose allows the fan blades to rotate without any obstructions. Allow a minimum clearance of 7 feet from the floor and 18 inches from the tip of the blades to the wall.
5. If you are mounting the fan to a ceiling fan outlet box, use a U.L. Listed metal octagonal outlet box marked "Acceptable for Fan Support". Secure the box directly to the building structure. The outlet box and its support must be able to support the moving weight of the fan (at least 50 pounds) Do not use a plastic box.
6. Caution: To reduce the risk of injury use only the screws provided with the outlet box in conjunction with the lock washers provided with the fan.
7. If you are mounting the fan to a joist, make sure it is able to support the moving weight of the fan (at least 50 pounds).
8. After you install the fan, make sure that all mounting components are secured to prevent the fan from falling.
9. Do not insert anything into the fan blades while the fan is operating.
10. Turn the fan off and wait for the blades to stop completely before proceeding with maintenance or cleaning.

**NOTE:** The important safeguards and instructions appearing in this manual are not meant to cover all possible conditions and situations that may occur. It must be understood that common sense, caution and care are factors which can not be built into this product. These factors must be supplied by the person (s) installing, caring for and operating the unit.

**NOTE: READ AND SAVE ALL INSTRUCTIONS!**

## **WARNING**

**TO REDUCE THE RISK OF FIRE, ELECTRIC SHOCK OR OTHER PERSONAL INJURY, MOUNT FAN ONLY TO A U.L. LISTED OUTLET BOX OR SUPPORTING SYSTEM MARKED ACCEPTABLE FOR FAN SUPPORT AND USE MOUNTING SCREWS PROVIDED WITH THE OUTLET BOX IN CONJUNCTION WITH THE LOCK WASHERS PROVIDED WITH THE FAN. MOST OUTLET BOXES COMMONLY USED FOR FAN SUPPORT OF LIGHTING FIXTURES ARE NOT ACCEPTABLE FOR FAN SUPPORT AND NEED TO BE REPLACED. CONSULT A QUALIFIED ELECTRICIAN IF IN DOUBT.**

**TO REDUCE THE RISK OF PERSONAL INJURY, DO NOT BEND THE BLADE HOLDERS WHILE INSTALLING, BALANCING THE BLADES OR CLEANING THE FAN. DO NOT INSERT FOREIGN OBJECTS BETWEEN ROTATING FAN BLADES.**

**TO REDUCE THE RISK OF FIRE OR ELECTRONIC SHOCK, THIS FAN CAN ONLY USE KH969-AVT-60-3 SOLID-STATE SPEED CONTROL WITH RC1000 REMOTE CONTROL ONLY**

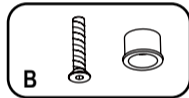
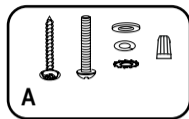
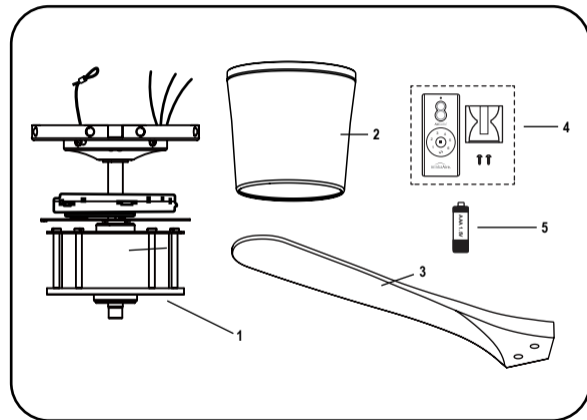
**TO REDUCE THE RISK OF ELECTRIC SHOCK, THIS FAN MUST BE INSTALLED WITH AN ISOLATING WALL CONTROL/SWITCH**

## 2

# PACKAGE CONTENTS

Unpack your fan and check the contents. You should have the following items:

1. Motor assembly
  2. Fan housing
  3. Fan blades (3)
  4. Remote control with holder and 2 mounting screws
  5. 1.5V AAA battery (2)
- A. Mounting hardware
    - #10 x 1.5" Wood screws (4 Pcs.)
    - #8 x 3/4" Machine screws (2 Pcs.)
    - Lock washers (2 Pcs.)
    - 4mm Star washers (2 Pcs.)
    - Wire nuts (6 Pcs.)
    - Washers (4 Pcs.)
  - B. Blade attachment hardware
    - #1/4" x 45mm Blade screws (7 Pcs.)
    - Blade countersink (7 Pcs.)
  - C. Hex wrench
  - D. Balance kit





## INSTALLING THE MOUNTING BRACKET

Tools Required: Philips screw driver, slotted screw driver, step-ladder, wire cutters, electrical tape.

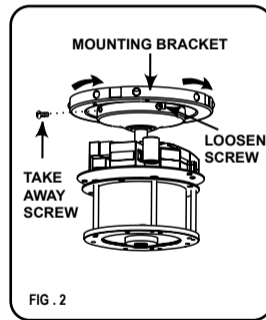
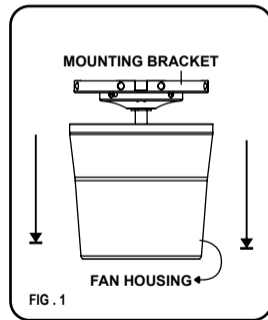
**WARNING:** All of the parts, hardware and components such as the hanger bracket and hanger ball have been provided for your safety and the proper installation of your new ceiling fan. The use of other parts, hardware or components not supplied by Minka Aire® with the fan will void the Minka Aire® Warranty.

**REMEMBER** To turn off the power. Follow the steps below to hang your fan properly.

**Step 1.** Prior installation, press the fan housing down to set the motor assembly and fan housing apart. (Fig. 1)

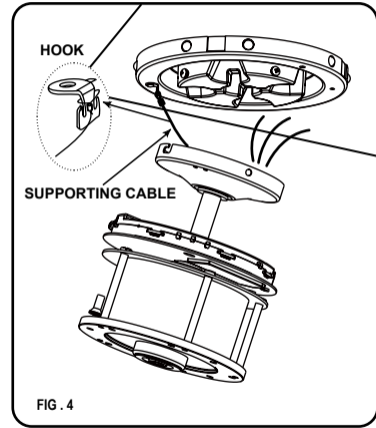
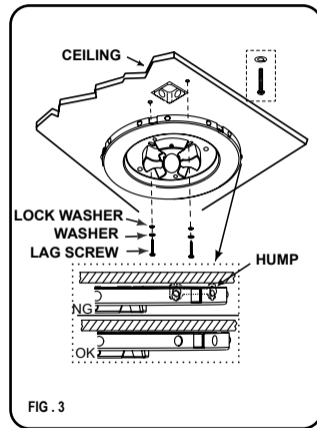
**Step 2.** Remove the screw which is on the round hole and partially loosen the other 3 screws on the slotted holes.

Rotate the mounting bracket to separate the mounting bracket from the motor assembly. (Fig. 2)



Step 3. Install the mounting bracket with provided mounting hardware A.  
Be sure the hump on the mounting bracket is not pushed up when install the fan housing. Use machine screw to tighten the mounting bracket to the ceiling with outlet box. (Fig. 3)

Step 4. Attach the fan supporting cable to the hook on the mounting bracket. (Fig. 4)



**WARNING :** The use of Dimming devices not compatible with ceiling fans will cause unwanted behavior including loud humming and will cause permanent damage to you fans electrical component.

**WARNING :** To avoid possible electrical shock be sure electricity is turned off at the main fuse or breaker box before wiring.

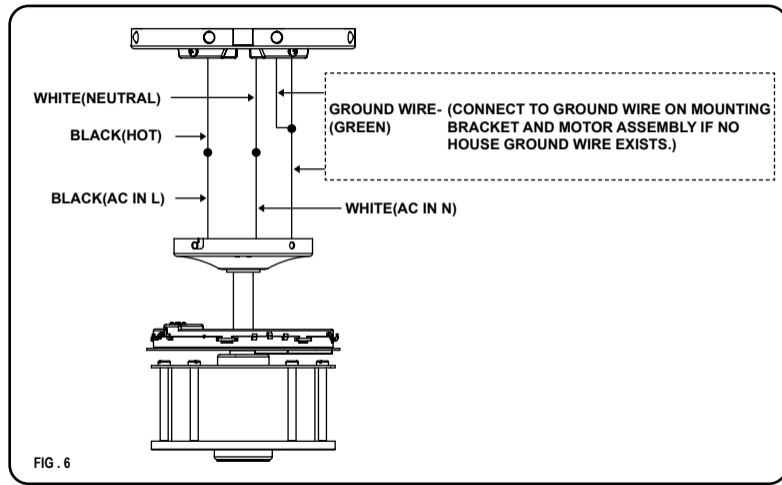
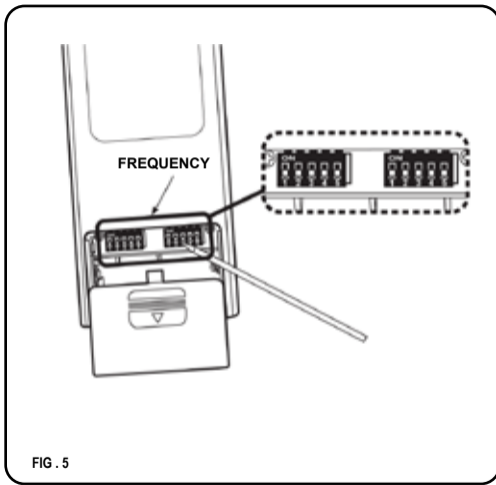
**NOTE:** The Aire Control<sup>®</sup> System is equipped with a learning frequency function which has 1024 code combinations to prevent potential interference from other remote units. The frequency on your Receiver and Transmitter units have been preset at the factory. (Fig .5)  
No frequency change is necessary, should you desire to install another fan within the same home or area with a seperate frequency code please see the "frequency interference" troubleshooting section of this instruction manual to learn how to change the frequency.

Step 1. Receiver to House Supply Wires Electrical Connections: Connect the WHITE wire (Neutral) from the outlet box to the WHITE wire marked "AC in N" from the receiver. Connect the BLACK wire (Hot) from the outlet box to the BLACK wire marked "AC in L" from the receiver. Secure all wire connections with the plastic wire nuts provided. (Fig .6)

Step 2. If your outlet box has a GROUND wire (Green or Bare Copper) connect this wire to the Mounting Bracket and Motor Assembly Ground wires. If your outlet box does not have a Ground Wire, then connect the Mounting Bracket and Motor Assembly Ground Wires together. Secure wire connection with the plastic wire nut provided. (Fig .6)

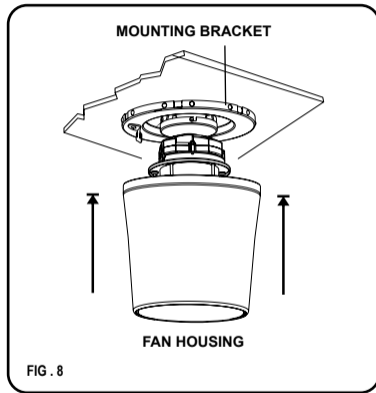
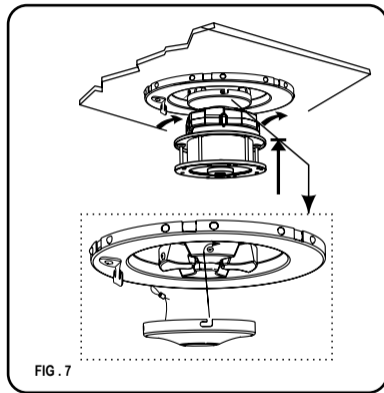
After making the wire connections, the wires should be spread apart with the grounded conductor and the equipment-grounding conductor on one side of the outlet box and the ungrounded conductor on the other side of the outlet box. Also, the splices after being made should be turned upward and pushed carefully up into the outlet box and make sure there are no loose strands. As an additional precaution we suggest to secure the plastic wire connectors to the wires with electrical tape.

NOTE: Fan must be installed from a maximum distance of 40 feet from the transmitting unit for proper signal transmission between the transmitting unit and the fan's receiving unit.



## FINISHING THE INSTALLATION

- Step. 1 Lift the motor assembly up, attach motor assembly onto mounting bracket, aligning the keyhole slots on the mounting plate with the loosened screws on the mounting bracket. Twist clockwise till lock. Reinstall the screw and tighten all screws securely. (Fig. 7)
- Step. 2 Lift the fan housing up and snap it onto mounting bracket by pushing it up, make sure the housing is flat against the ceiling. (Fig. 8)

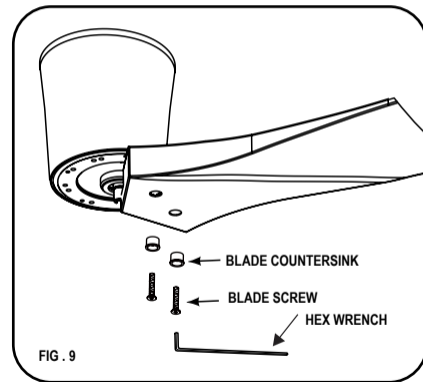


## ATTACHING THE FAN BLADES

Step 1. Align the holes on the blade and the screw holes on the motor . (Fig .9)

Step 2. Use the hex wrench, blade countersinks and the blade screws provided in the hardware pack to install the blades.

**NOTE:** When install the first blade, do not tighten the blade screws, so the second and third blades can be installed and adjusted easily. Tighten all blade screws after blades are attached in place.



## ***OPERATING THE REMOTE CONTROL / WALL CONTROL***

Remote Control only: Install two AAA 1.5 volt batteries (included). To prevent damage to transmitter remove the battery if not used for long periods of time.

IMPORTANT : THIS REMOTE CONTROL & DC FAN MOTOR ARE DESIGNED TO PERFORM A ONE TIME SELF CALIBRATION TEST. THIS TEST WILL BEGIN ONCE A NEW CODE HAS BEEN SET AND WILL LAST APPROXIMATELY ONE MINUTES.

Your DC brushless motor is equipped with a self learning frequency function remote control. Restore power to ceiling fan and test the transmitter as below for proper operation :


A. 1, 2, 3, 4, 5 and 6 button :

These six buttons are used to set the fan speed as follows :

1 = minimum speed	4 = medium speed
2 = low speed	5 = medium high speed
3 = medium low speed	6 = high speed

B.  Reverse button :


This button is used to change the direction of the rotation of the blades; forward for warm weather or reverse for cool weather.

C.  button :

This button turns the power Off to the Fan.




D.  button :

These buttons turn the light ON or OFF and also control the brightness settings of the light. The following instructions apply to ceiling fans that feature a DOWN light (  button) only or ceiling

fans that feature an UP light (  button) and a DOWN light (  button) that are controlled independent of each other ;

Press and release the button for the desired light to turn the light ON or OFF. Press and hold the button to set the desired light brightness. The light will cycle between bright and dim settings as long as the button is pressed. The light key has an automatic auto-resume feature that allows the light to remain at the same brightness as the last time it was turned off.

**NOTE :** The auto learning function will only mandate within 60 seconds when turning the fan's AC power ON.

1. Select desired frequency from the back of transmitter.
2. Within 60 seconds of turning AC power on, press and hold the "  (Off)" button to enter the learning function. Once the fan has detected the remote controls's frequency, the down light of your fan, if applicable, will blink, and the fan blades will start to spin.

**NOTE :** During self calibration test, the remote will be non-function.

**NOTE :** The learning frequency function and self calibration test will continue to retain the last set frequency and calibration set even when the AC power is shut off. If the frequency is changed the self calibration test will occur again.

1. **Lock position:** The DC motor has a built-in safety against obstruction during operation. The motor will get locked operation and disconnect power after 30 seconds if interruption occurs. Please remove obstacles before re-set.
2. **Over 50W protection:** When the receiver detects motor power consumption which is greater than 50W, the receiver's power will stop and operation will be immediately discontinued. Turn the receiver power on after 5 seconds.

Speed settings for warm or cold weather depend on factors such as room size, ceiling height and number of fans.

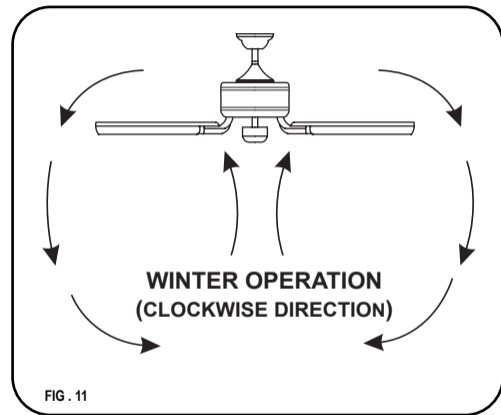
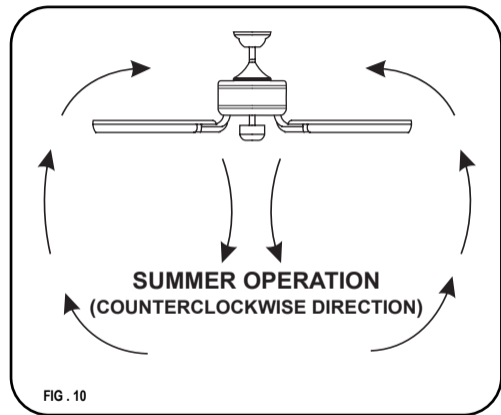
**NOTE :** Wait for the fan to stop before reversing the direction of the blade rotation.

**Warm Weather (forward)**

A **DOWNWARD** airflow creates a cooling effect as shown in Figure 10. This allows you to set your air conditioner on a warmer setting without affecting your comfort.

**Cool Weather (Reverse)**

An **UPWARD** airflow moves warmer air off the ceiling area as shown in Figure 11. This allows you to set your heating unit on a cooler setting without affecting your comfort.



## CARE OF YOUR FAN

Here are some suggestions to help maintain your fan.

1. Because of the fan's natural movement some connections may become loose. Check the support connections, brackets and blade attachments twice a year. Make sure they are secure. (It is not necessary to remove fan from the ceiling).
2. Clean your fan periodically to help maintain its new appearance over the years. Use only a soft brush or lint free cloth to avoid scratching the finish. Plated finishes are sealed with lacquer to minimize discoloration or tarnishing. Do not use water when cleaning, this could damage the motor, wood blades or possibly cause an electrical shock.
3. If your fan is provided with wood veneer blades; you can apply a light coat of furniture polish for additional protection and enhanced beauty. Cover small scratches with a light application of shoe polish.
4. Use a lint free lightly damp cloth or duster to remove dust from the blades.
5. There is no need to oil your fan. The motor has permanently lubricated bearings.
6. If your fan is provided with glass shades, clean with lukewarm soapy water and a soft cloth or sponge. **DO NOT IMMERSE GLASS SHADES IN HOT WATER. DO NOT PUT GLASS SHADES INTO AN AUTOMATIC DISHWASHER.**

**WARNING!**  
**MAKE SURE THE POWER IS OFF AT THE ELECTRICAL PANEL BOX BEFORE YOU ATTEMPT ANY REPAIRS. REFER TO THE SECTION, "ELECTRICAL CONNECTIONS".**

## SYMPTOM

Fan will not start

## SOLUTION

- Check to make sure the wall switch is turned on.
- Check circuit fuses or breakers.
- Caution! Make sure the power is turned off before performing the following steps.
- Remove canopy and check wire connections.
- Check wall control transmitter connections (if applicable).
- Note: Fan must be installed at a maximum distance of 40 feet from the transmitting unit for proper signal transmission between the transmitting unit and the fan's receiving unit.

## SYMPTOM

Fan Sounds Noisy

## SOLUTION

- Allow a 24-hour "break in" period. Most noises associated with a new fan will go away during this time.
- Make sure the screws that attach the fan blade holder to the motor hub is tight.
- Make sure outlet box is secured to building structure, if necessary use the wood screws provided to further secure outlet box to joist.
- Make sure hanger bracket is secure to the outlet box, screws are tight.

#### SYMPTOM

Fan Wobble

#### SOLUTION

- NOTE : All blade sets are grouped by weight. Because wood and plastic blades vary in density, the fan may wobble even though blades are matched.
- Make sure outlet box is secured to building structure, if necessary use the wood screws provided to further secure outlet box to joist.
- Make sure hanger bracket is secure to the outlet box, screws are tight.

#### SYMPTOM

Fan / Light Turn On and Off Unexpectedly

#### SOLUTION

- This is caused by interference, Please see "Frequency interference" for steps to change the frequency.

## SYMPTOM

Frequency Interference

## SOLUTION

1. Turn the power off to your ceiling fan.
2. Please use a small size tool to change the frequency settings on the control system.
3. Return power to the unit.  
Note: After the AC power is on, do not press any other button on the transmitter before pressing the "Stop" button, doing so will cause the procedure to fail.
4. Within 60 seconds of turning the Fan's AC power ON. Press the transmitter's "Stop" button and hold the "Stop" button for 10 seconds.
5. Once the receiver has detected the set frequency, the down light of your fan if applicable will blink twice. (there is no indication if your fan is not equipped with a light).
6. The receiver has now learn the frequency which has been selected on the transmitter. After completing the steps above, you should be able to operate the ceiling fan and light. If the fan is not responding to the transmitter, please turn the power off to the receiver, and repeat the process.

## *SPECIFICATIONS*

These are typical readings. Your actual fan may vary. They do not include amps and wattage used by the light(s).

Fan Size	Speed	Volts	Amps	Watts	RPM	N.W.	G.W.	C.F.
60"	Low	120	0.09	3.96	53	5.4	9	3.6'
	High	120	0.66	42.06	190	kgs	kgs	



PERFORMANCE AND ENERGY INFORMATION

# ENERGYGUIDE

Estimated  
Yearly Energy Cost  
**\$7**



Cost Range of Similar Models (19" – 84")

- Based on 12 cents per kWh and 6.4 hours use per day
- Your cost depends on rates and use
- Energy Use: 26 Watts

All estimates based on typical use, excluding lights

Airflow  
**3,958**

Cubic Feet Per Minute

- The higher the airflow, the more air the fan will move
- Airflow Efficiency: 152 Cubic Feet Per Minute Per Watt

[ftc.gov/energy](http://ftc.gov/energy)

FAN SPEED	AIRFLOW (CFM)*	POWER USE (Watts)	AIRFLOW EFFICIENCY (CFM/Watt)
Low	1640	3.96	414.14
High	6004	42.06	142.75

Ceiling fan airflow is measured in cubic feet per minute (CFM). Power use is measured in watts. To maximize energy savings:

- Choose a fan with high airflow efficiency (CFM/watt).
- Use ENERGY STAR® rated bulbs in your fan.
- Switch off your fan when you leave the room.

\* Measure according to the DOE approved test method.



For any additional information about your Minka Aire® Ceiling fan, please write to:

1151 Bradford Circle, Corona, CA 92882 • For Customer Assistance Call: 1-800-307-3267



**English Version**