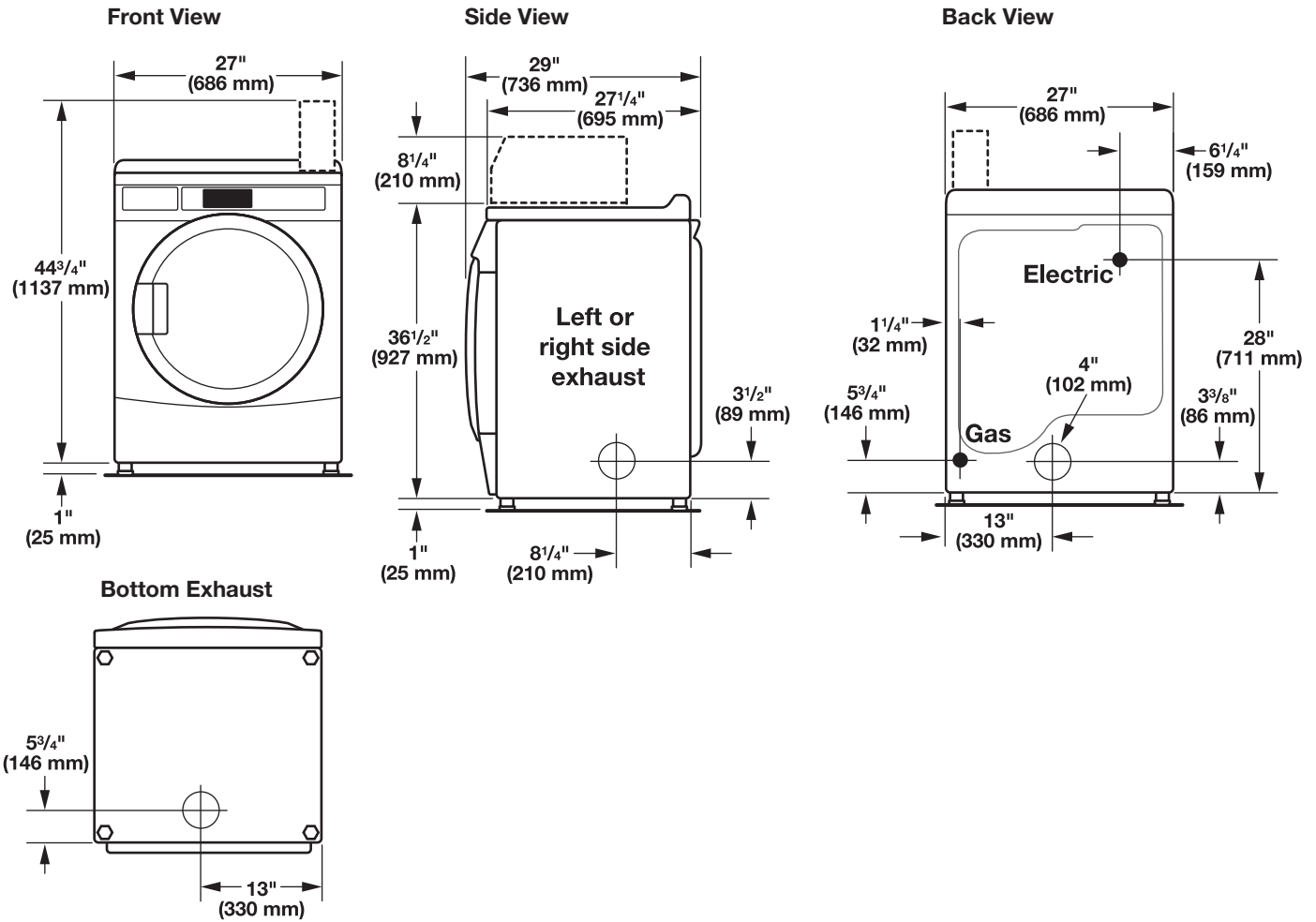


DIMENSIONS/CLEARANCES

Dimensions



Clearances

