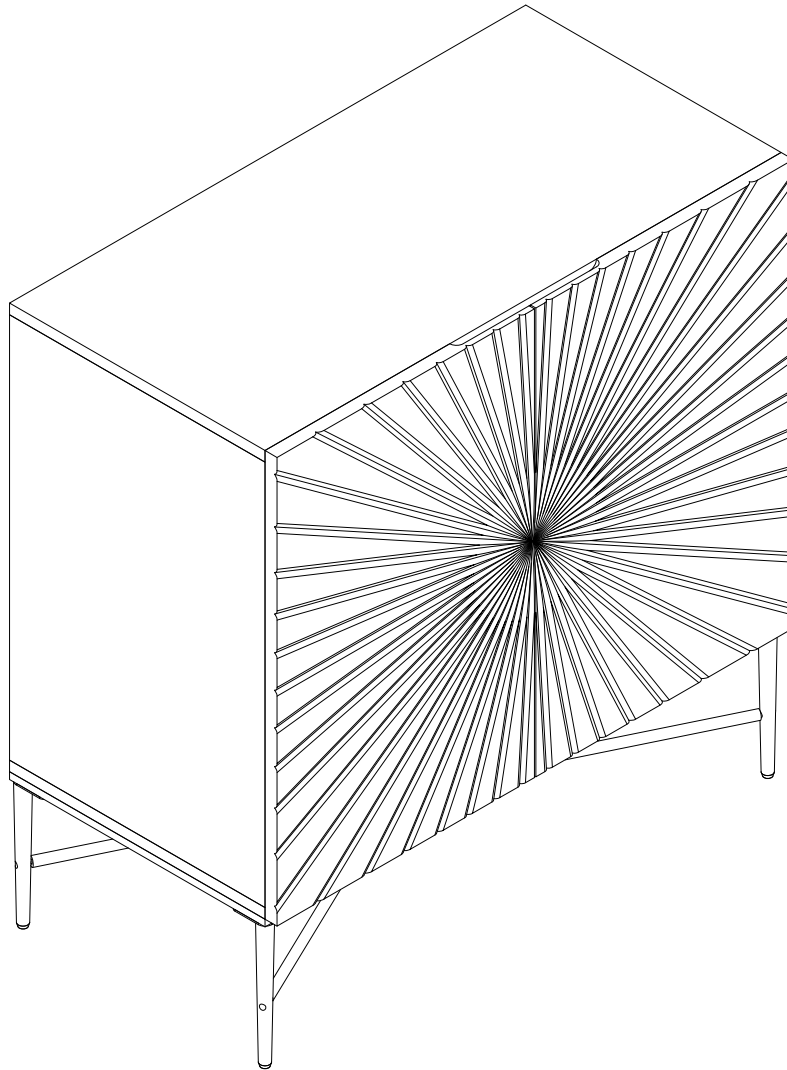


ASSEMBLY INSTRUCTIONS



It is normal for the sealed environment to smell, not a product quality problem.

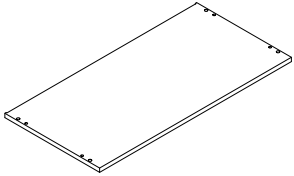
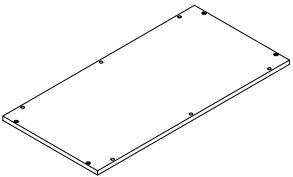
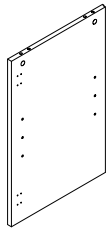
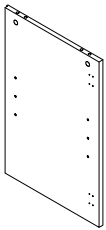
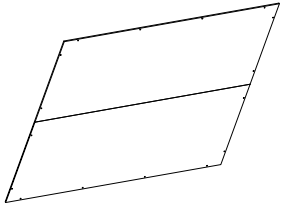
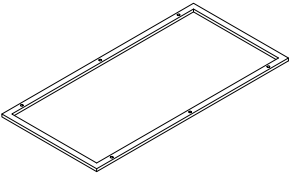
Phone number:303-747-4421

service@alipuinc.com

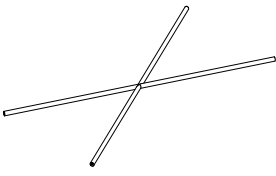

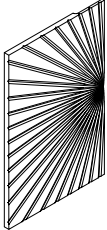
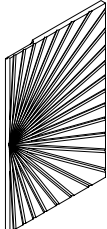
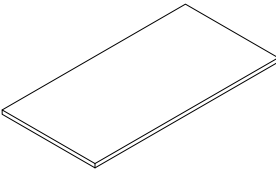
Web:<https://clihome.net/>

ASSEMBLY INSTRUCTIONS

Part List:

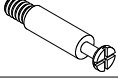






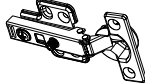
ITEM	DESCRIPTION	PART	QTY
1	Top panel		1
2	Bottom panel		1
3	Left side panel		1
4	Right side panel		1
5	Back panel		1
6	Bottom frame		1

Part List:



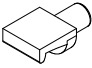




ITEM	DESCRIPTION	PART	QTY
7	"X" crossbar		1
8	Leg		4
9	Left door		1
10	Right door		1
11	Adjustable shelf		1

ASSEMBLY INSTRUCTION

Hardware List:

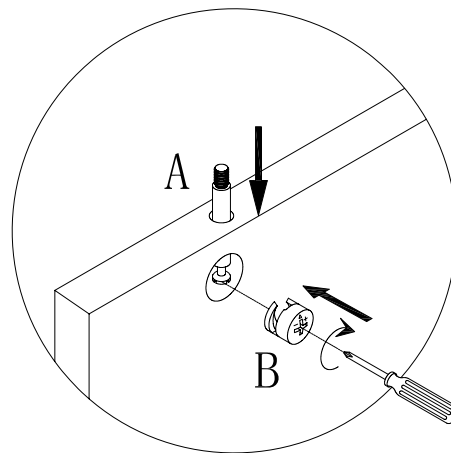
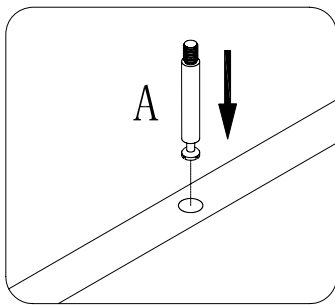
ITEM	DESCRIPTION	PART	QTY
A	Camlock bolt		4
B	Camlock		4
C	Wooden dowel	 Φ6*30mm	8
D	Bolt	 Φ1/4"*5/16"	8
E	Bolt	 Φ1/4"*7/8"	6
F	Bolt	 Φ1/4"*1 1/4"	8
G	Allen wrench		1
H	Door fitting		4

Hardware List:

ITEM	DESCRIPTION	PART	QTY
I	Round head screw	 Φ3*12mm	24
J	Back screw	 Φ3*12mm	16
K	Shelf support		4
L	Safety wall strap		1
M	Plastic anchor		1
N	Mounting screw	 Φ4*38mm	1
O	Washer		1

- * Required screwdriver & mallet, not included.
- * Before discarding packing materials, please check to make sure that all parts and hardware is present.
- * Two people needed for assembly.
- * Please follow the instructions closely; do not over tighten screws or bolts unless instructed.
- * After a few days from initial assembly, the product may have acclimated to the new environment. Please retighten the hardware.

Guideline For Assembling of Cam Lock(A & B)



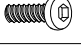

Screw camlock bolt (A) to wood part.

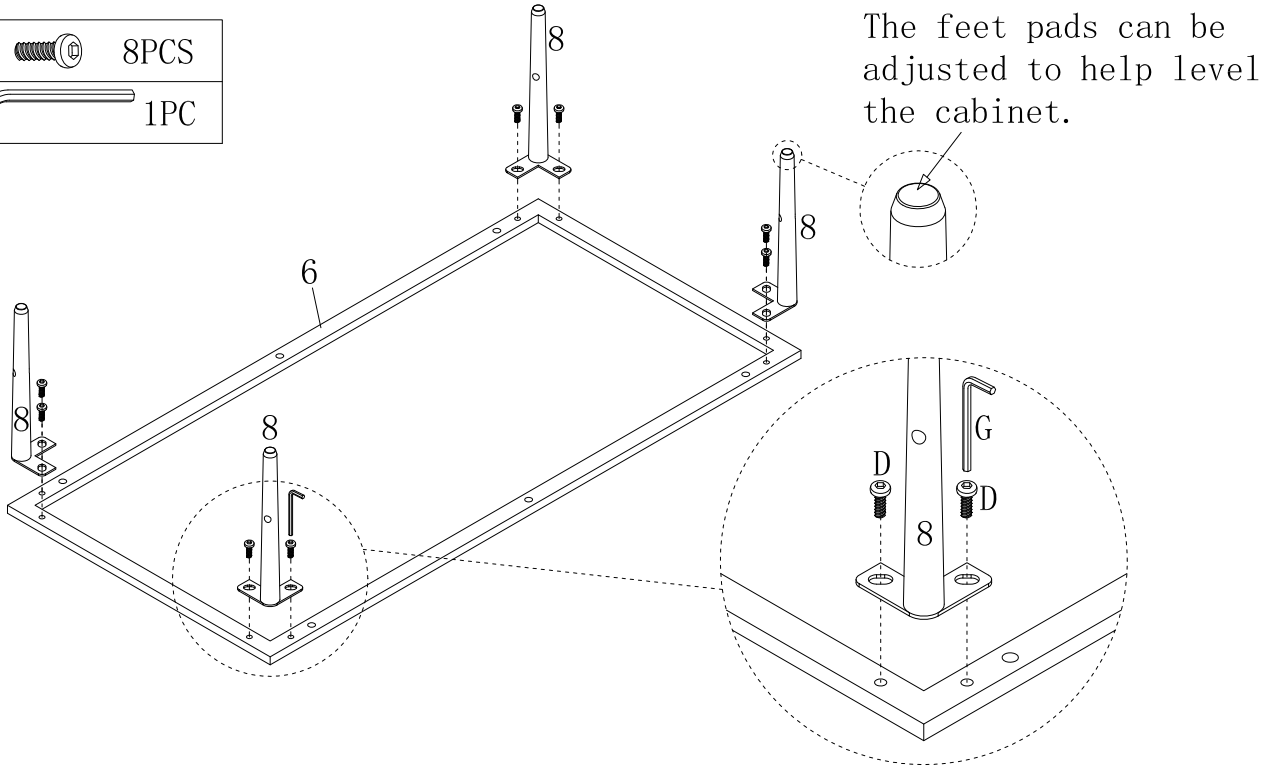
Do not assemble camlock (B) unless instructed.

To assemble camlock (B), ensure long side of the + is facing the bolt (A) before inserting into hole.

ASSEMBLY INSTRUCTION

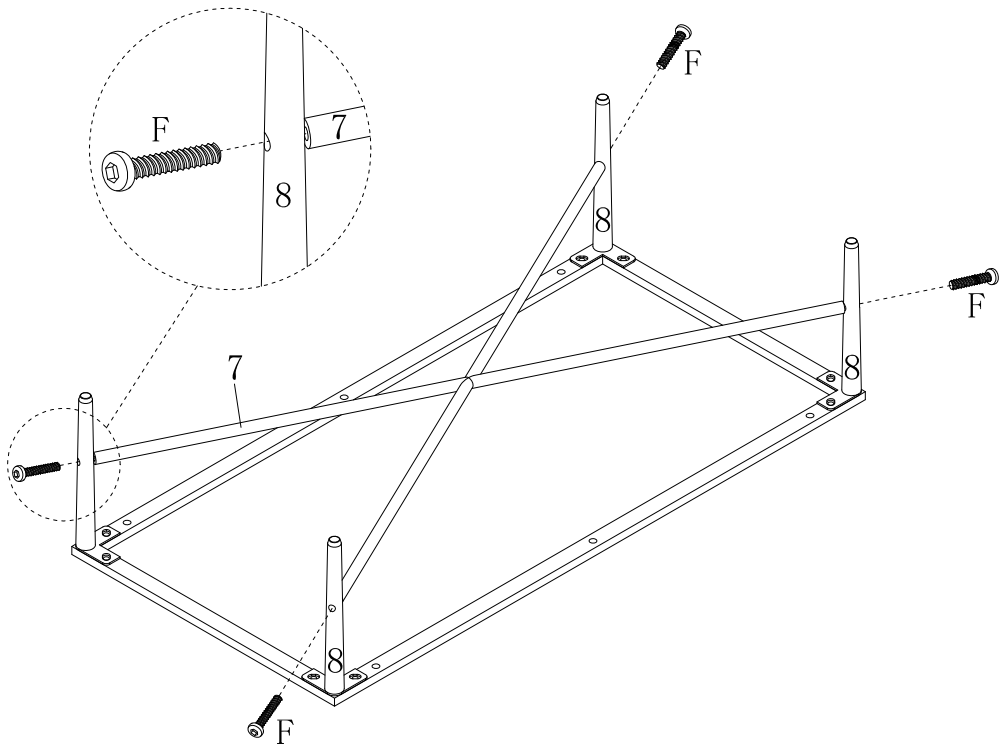
STEP 1

- D:  8PCS
- G:  1PC

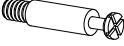





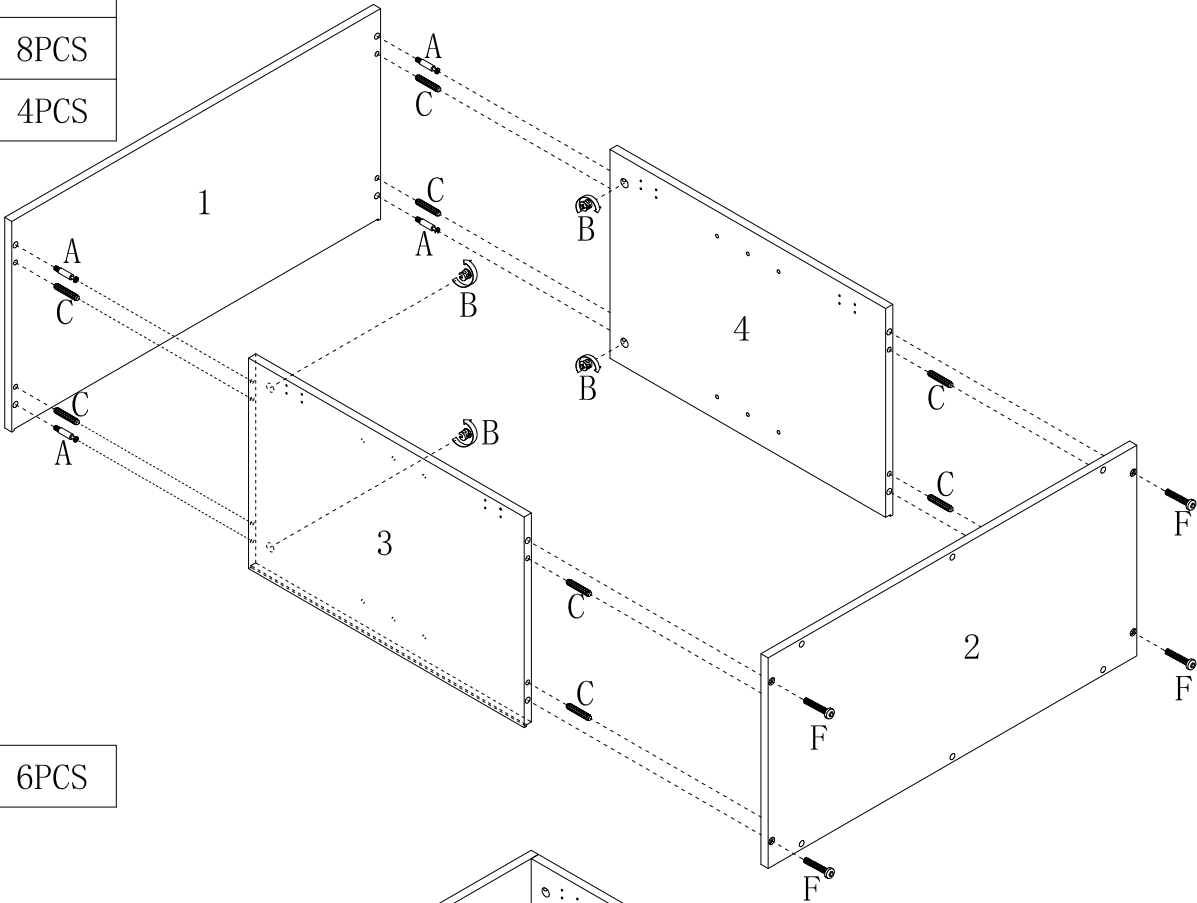
STEP 2

- F:  4PCS



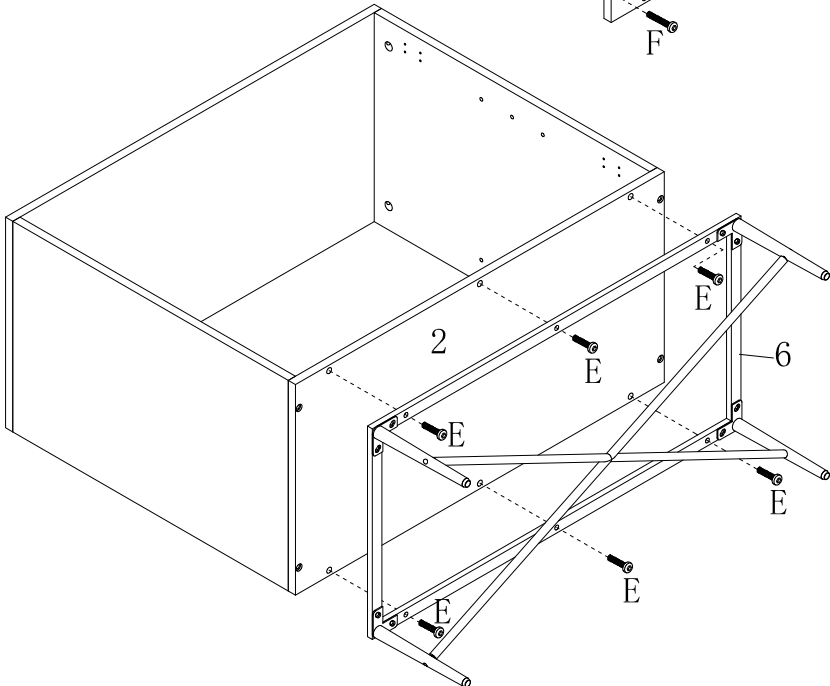
STEP 3

- A:  4PCS
- B:  4PCS
- C:  8PCS
- F:  4PCS





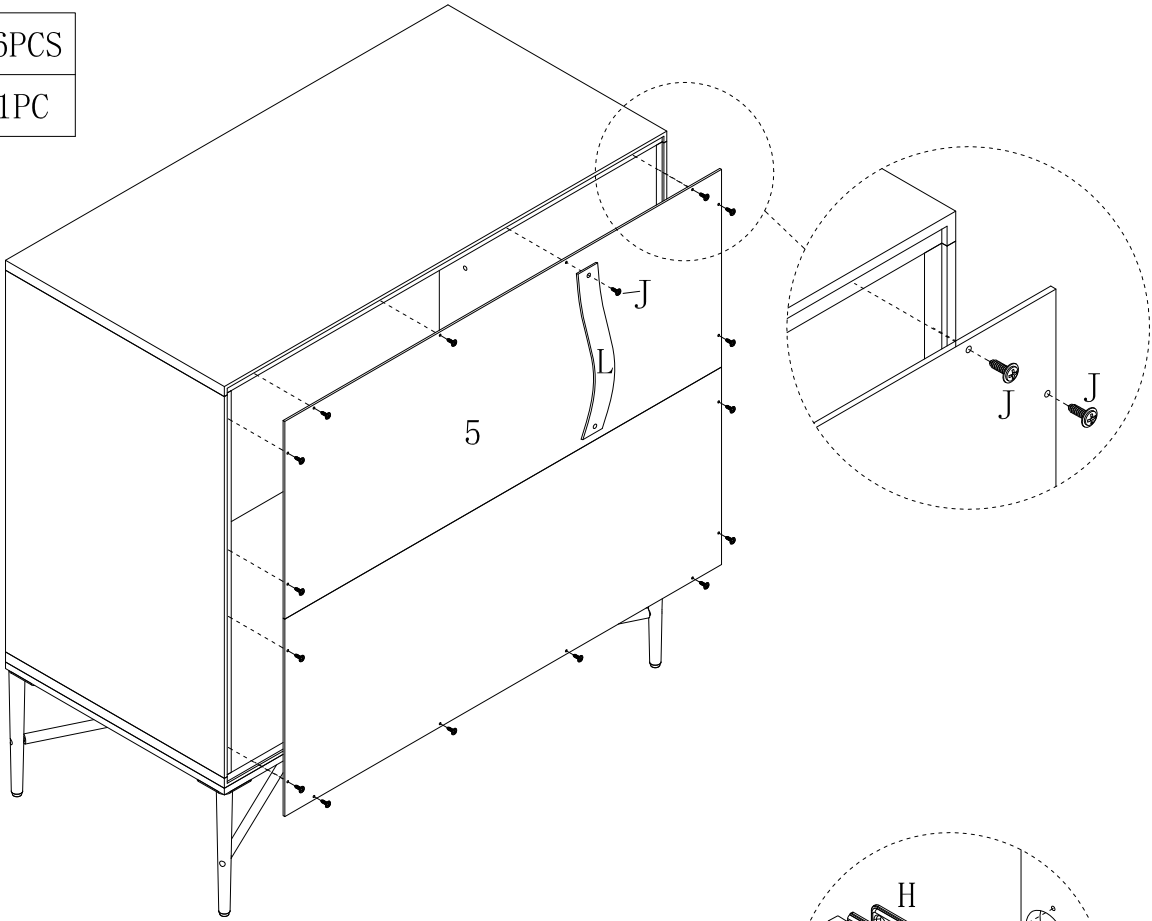
STEP 4

- E:  6PCS

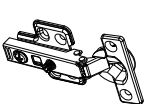



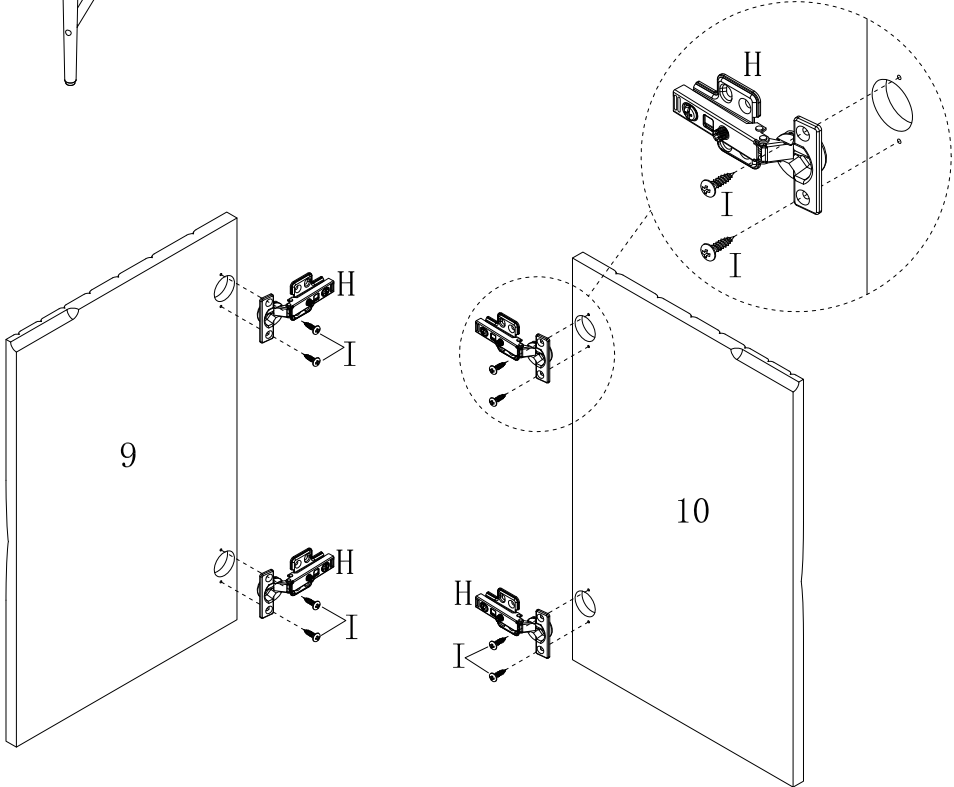
STEP 5

- J:  16PCS
- L:  1PC



STEP 6

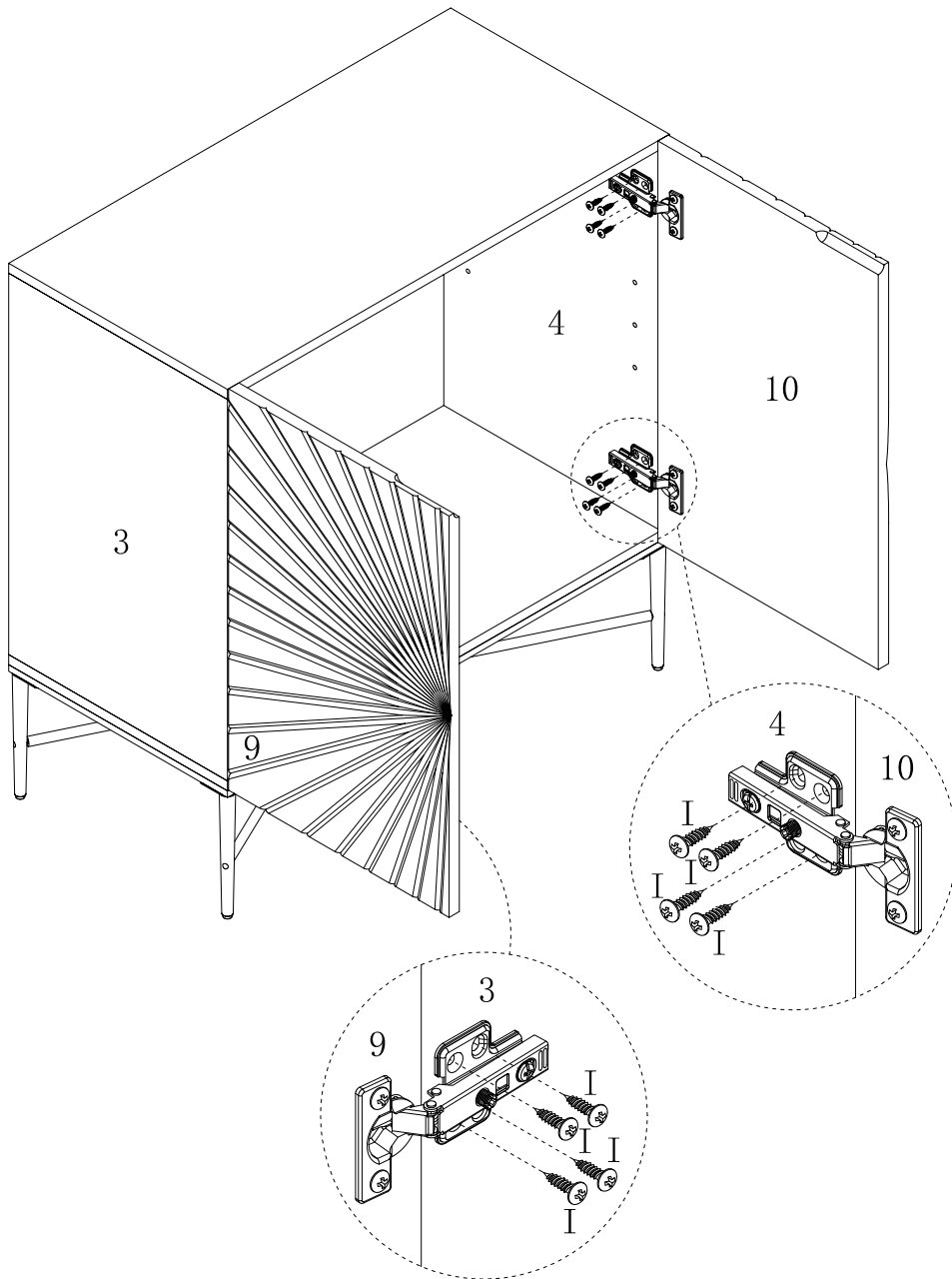
- H:  4PCS
- I:  8PCS



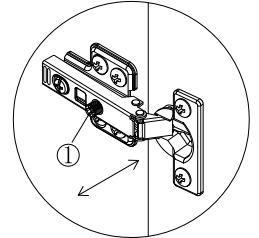
ASSEMBLY INSTRUCTION

STEP 7

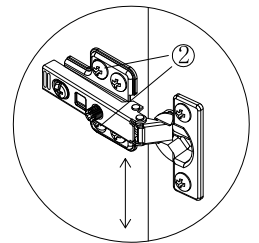
I:  16PCS



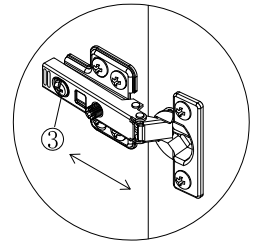
DOOR FITTING



To adjust in width



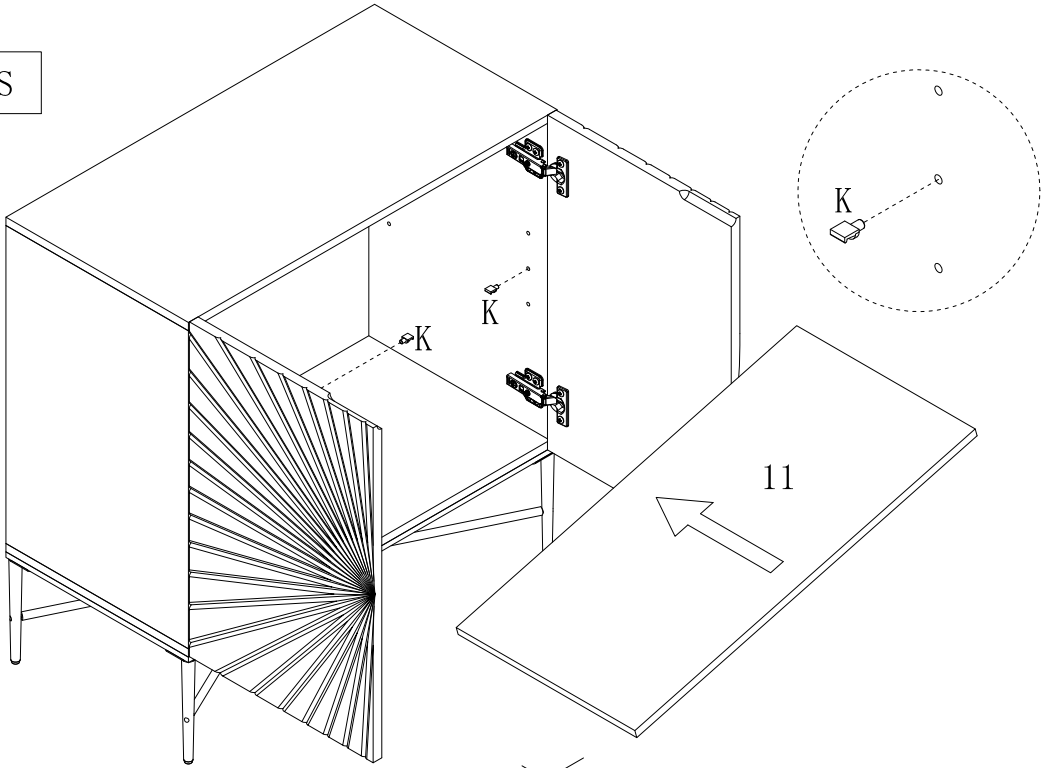
To adjust in height






To adjust in depth

STEP 8

K:  4PCS



STEP 9

M:  1PC
N:  1PC
O:  1PC

