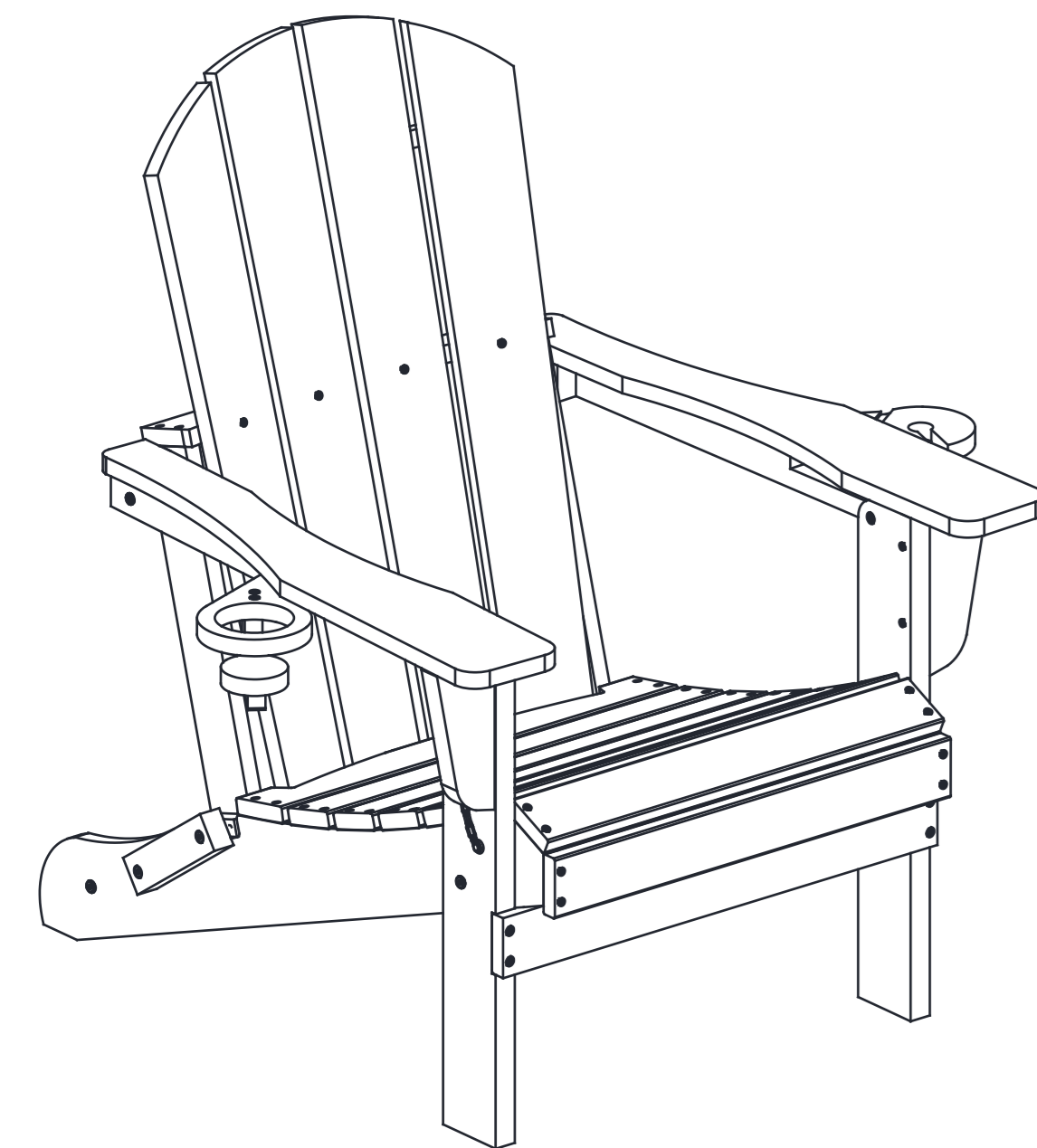


Vintage Reclining Folding Chair

Assembly Instructions

A041-045-001



email: poly@homeselecting.com

Important -Please read these instructions fully before starting assembly

HASSLE-FREE WARRANTY

We stand behind the quality of our products. If you have any questions, please send an email.



360 LBS CAPACITY



1 PERSON ASSEMBLY



AROUND 25 MIN ASSEMBLY

If you need help or have damaged or missing parts, please email: poly@homeselecting.com

Components

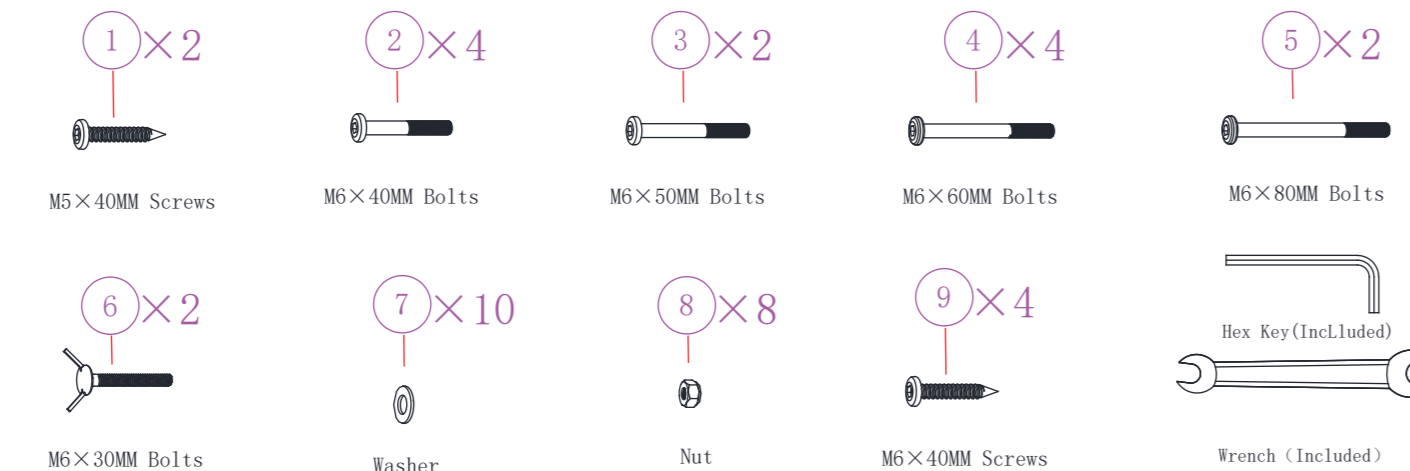
Please check you have all the components listed below.

Note: The illustration of the product shows the exact position of each part. Check when assembling.

#		Description	Qty.
A		Frame assembly	1
B		Back support component	1
C		Left armrest component	1
D		Right armrest component	1
E		Left front foot component	1
F		Right front foot component	1
G		Rear crossbar	1
H		The front foot is connected.	1
I		Rear leg connecting block	2
J		Red wine glass holder	1
K		Teacup holder	1
L		Base of the tea cup tray	1

Hardware & Tools

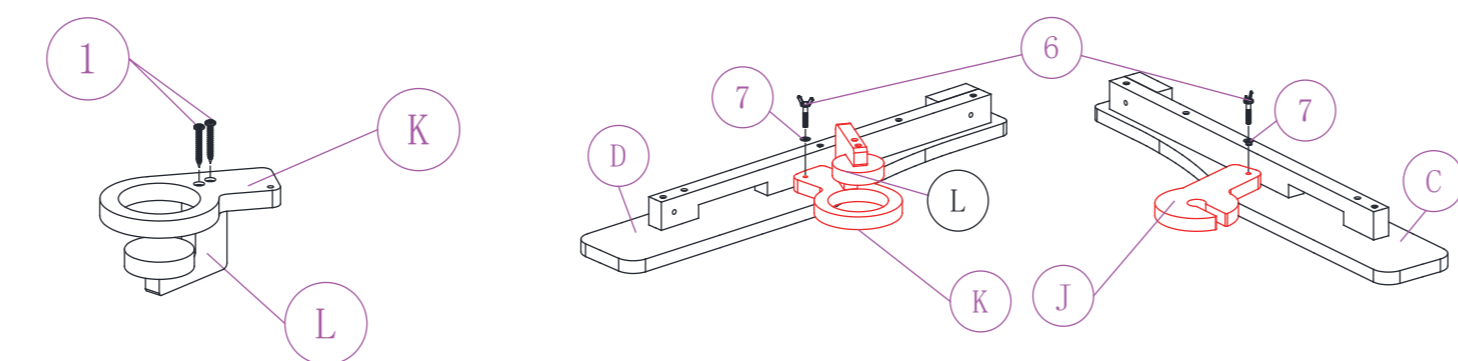
Note: The quantities below are the correct amount to complete the assembly. In some cases more fittings may be supplied than required.



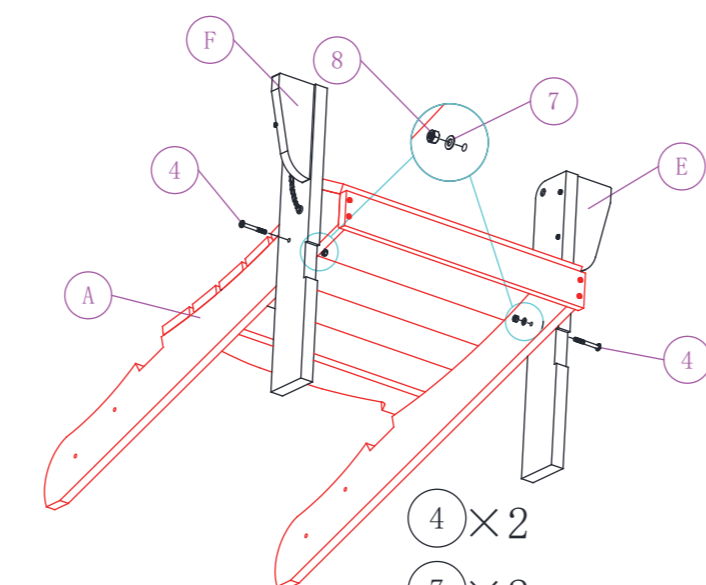
If you need help or have damaged or missing parts, please email: poly@homeselecting.com

Assembly Instructions

Caution: Please do not over-tighten bolts and screws during assembly.



1 × 2
STEP 1
Fix components K and L using ① screws.

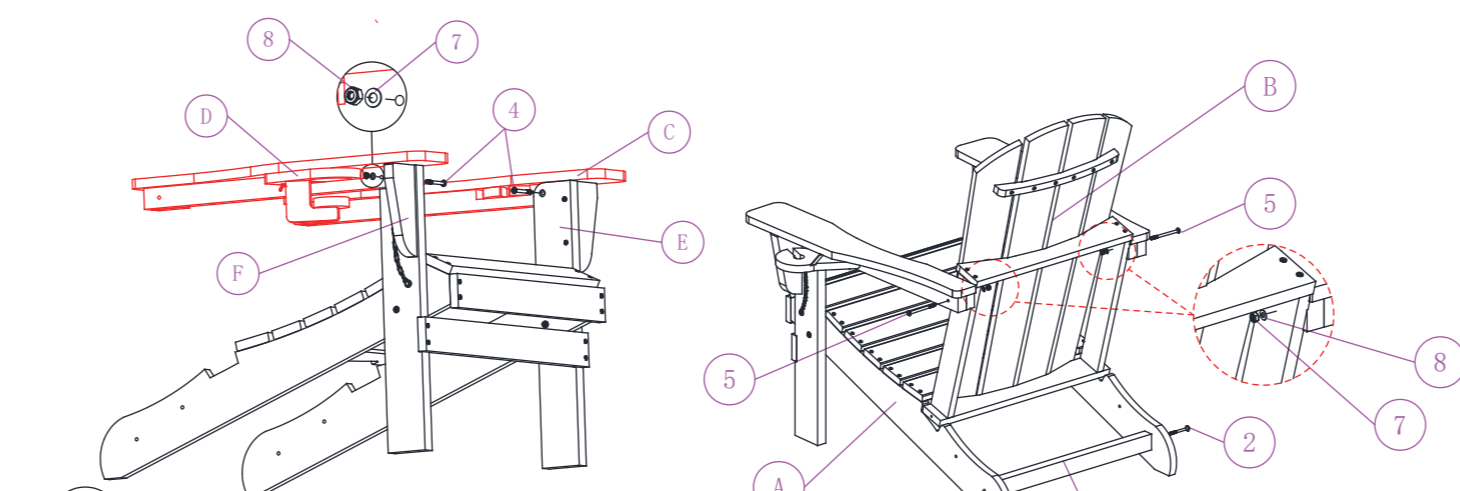


4 × 2
7 × 2
8 × 2
STEP 3
Fix components F and E onto component A using fasteners ④, ⑦, and ⑧.

If you need help or have damaged or missing parts, please email: poly@homeselecting.com

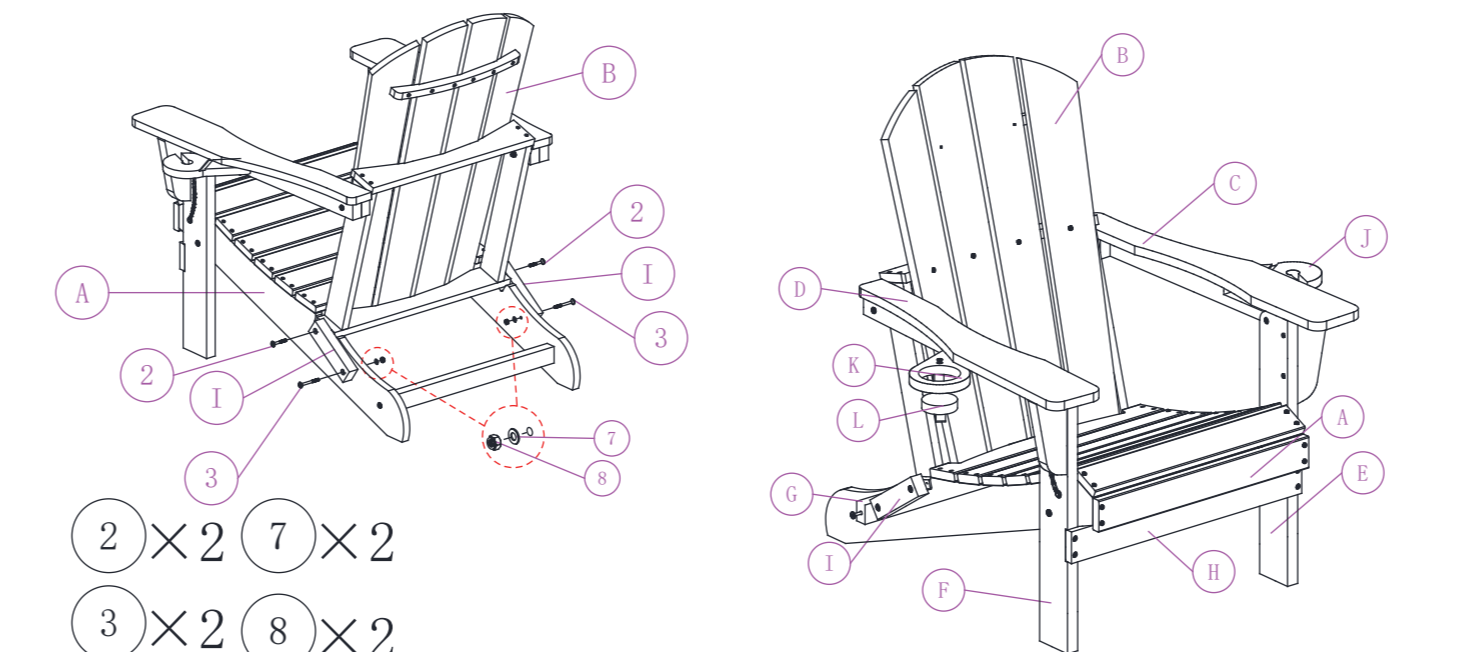
Assembly Instructions

Caution: Please do not over-tighten bolts and screws during assembly.



6 × 2
7 × 2
8 × 2
STEP 2
Fix component J onto itself using fasteners ⑥ and ⑦.
Fix component K onto component D using fasteners ⑥ and ⑦.

4 × 2
7 × 2
8 × 2
STEP 5
Fix components D and C onto components F and E using ④, ⑦, and ⑧.



2 × 2
7 × 2
3 × 2
8 × 2
STEP 4
Fix component H onto components F and E using ⑨.

2 × 2
7 × 2
3 × 2
8 × 2
STEP 7
Fix me onto B using the ② screw ⑦ and ⑧.
Fix me onto A using the ③ screw.

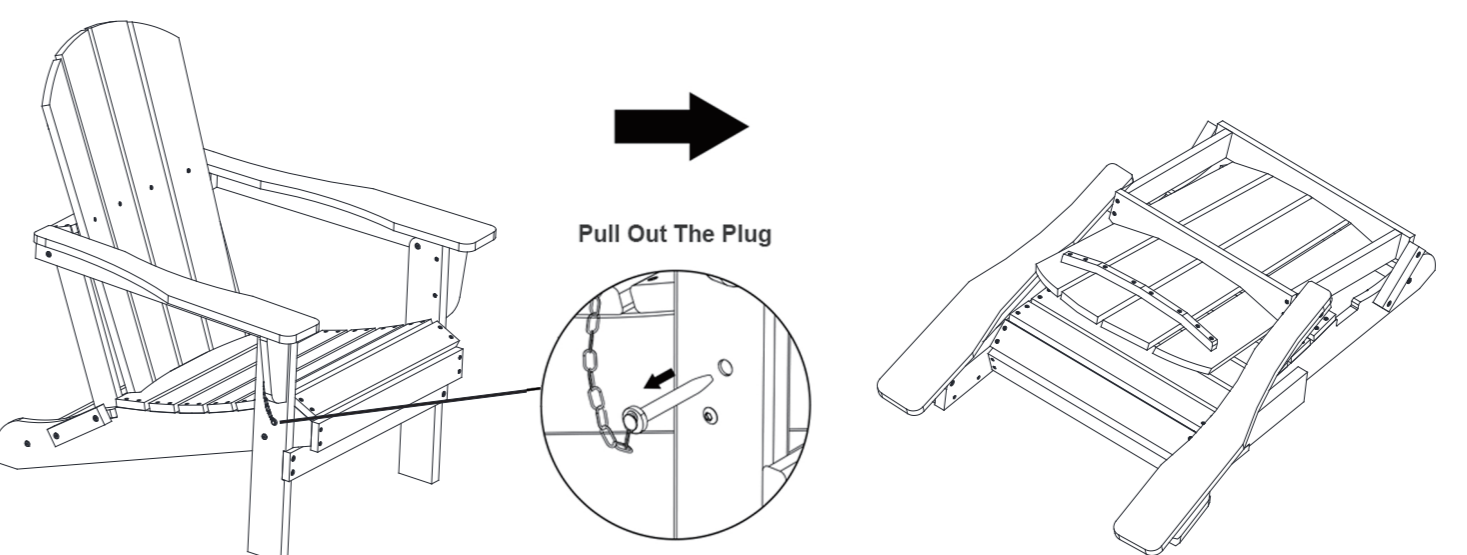
If you need help or have damaged or missing parts, please email: poly@homeselecting.com

Assembly Instructions

Caution: Please do not over-tighten bolts and screws during assembly.

This Adirondack chair can be easily folded flat by pulling out the "Plugs" inserted in the chair legs.

Warning: To avoid damage, please keep the plugs inserted when the chair is in use. Pull out the plugs when you need to fold the chair.



If you need help or have damaged or missing parts, please email: poly@homeselecting.com

Warnings

Important -Please read these instructions fully before starting assembly

Check you have all the components and tools listed on the page 2.

Remove all fittings from the plastic bags and separate them into their groups.

Keep children and animals away from the work area, small parts may cause choking if swallowed.

Make sure you have enough space to layout the parts before starting.

Assemble on a soft level surface to avoid damaging the unit or your floor.

Do not stand or put weight on the product, this could cause damage.

Assemble the item as close to its final position (in the same area) as possible.

Do not place furniture directly in front of radiators, fires, or any other source of heat.

The assembly will be easier with 2 people while 1 person could also do the job.

Refer to the LISTING page for specific installation videos.

Cleaning & Maintenance

• Clean the product with a solution of mild soap and water. Dip a soft cloth or sponge into the solution and wipe down the entire surface.

• After cleaning, thoroughly rinse the furniture with water to remove any remaining soap residue.

• When not in use, cover the product with a protective cover to keep it clean and prolong its lifespan.