

Colors: 

SUITABLE COOKING STYLE & FEATURES:



WM-530B CONTEMPORARY WALL MOUNT SIZES: 30" 36"

PRODUCT DESCRIPTION



Now here's a range hood that looks like a work of art. The WM-530 model will fit any kitchen style with its fresh canopy style and modern stainless steel finish. If you think your range hood has to be an eyesore, think again. You'll love the way this 30" chimney range hood immediately upgrades your kitchen's appearance.

WHAT'S INCLUDED

Aluminum Mesh Filters (2), Lower Chimney Cover (1), Upper Chimney Cover (1), Chimney Bracket (1) and 6" Round Exhaust Adapter (1)

OVERALL PRODUCT DIMENSIONS (WxDxH)

WM-530-30B: 29-3/8" x 19" x 25" - 44"
 WM-530-36B: 35-3/8" x 19" x 25" - 44"

WARRANTY

2-Year Limited Warranty and Lifetime Warranty on Motor



FEATURES & BENEFITS:

SAFEGUARD YOUR HEALTH FROM TOXIC FUMES:

Cooking fumes aren't just unpleasant; they're also potentially hazardous to your health. They contain over 200 harmful gases and include 2 chemical compounds, which are known carcinogens.

PROFESSIONAL DESIGN WITH CANOPY STYLE:

There's never been a better looking wall-mounted range hood than this one! The canopy style makes the most of wall space and adds a modern feel to your kitchen.

EASY COORDINATION WITH KITCHEN LIGHTING:

Not only do the halogen lights save energy, but the GU10 base also makes it easy to find matching bulbs at local hardware stores to coordinate your lighting.

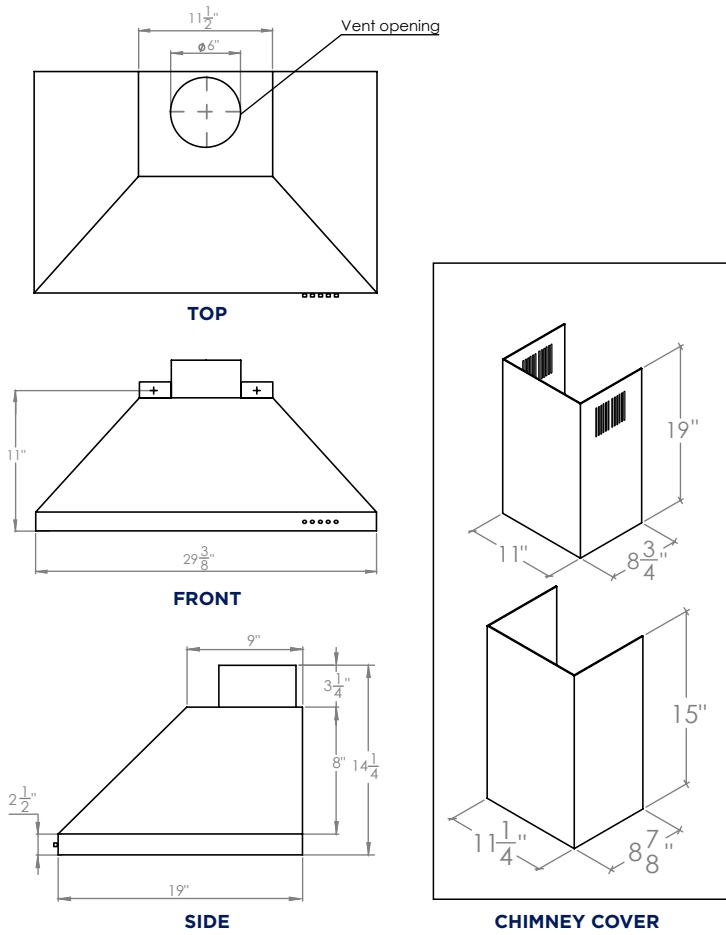
PERFECT FOR HIGH CEILINGS:

The vent hood fits kitchens with up to 10 foot-ceilings with our extension kit (sold separately).

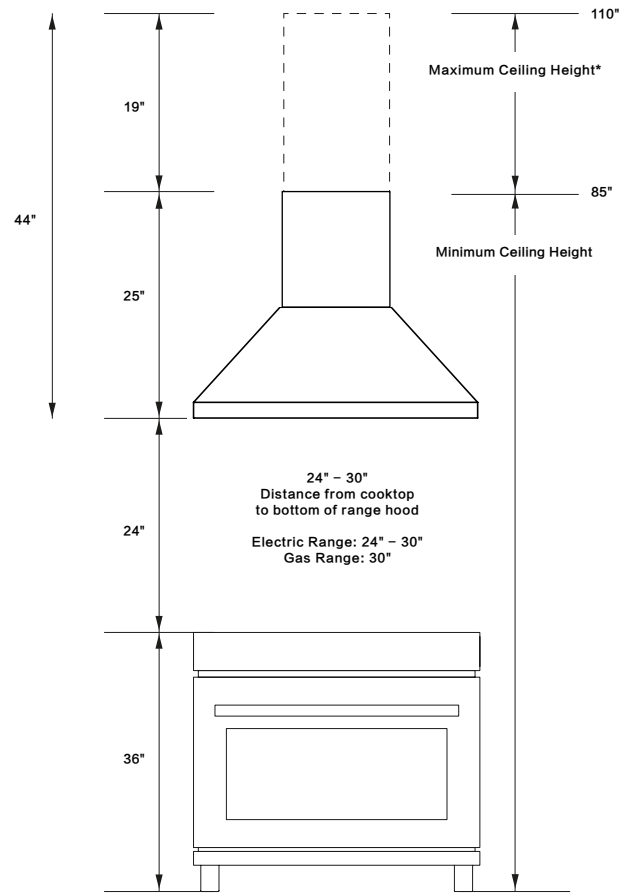
EASILY CONVERT TO DUCTLESS:

Fits 6" duct or convert to ductless with our effective charcoal filters (sold separately). These filters trap grease particles from fumes and deodorize cooking smells.

DETAIL DRAWING



CEILING HEIGHT GUIDE



SPECIFICATIONS

SIZE	30" 36"
STYLE	Wall Mount
DUCTLESS	Yes
CLEANING FUNCTION	N/A
NOISE LEVEL	1.5 to 6.5 Sones
LIGHT COLOR TEMP.	Warm / 3000 Kelvin
LIGHT BULB	50W Halogen (GU10 Base)
LIGHT INTENSITY	1 Level
CONTROL	Push Buttons
SPEED SELECTIONS	3 Levels
CONVERTIBLE	Yes. Charcoal Filters (CFI011) Not Included.

EQUIVALENT AIRFLOW	750 CFM
LABORATORY AIRFLOW	350 CFM
TOP VENTING	6" Round
REAR VENTING	N/A
MOTOR	Single
WATTAGE	210W
VOLTAGE	120V
CONNECTION	Plug-In
AMPERAGE	1.75 Amp
OVERALL PRODUCT DIMENSIONS (WXDXH)	30": 29-3/8" x 19" x 25" - 44" 36": 35-3/8" x 19" x 25" - 44"