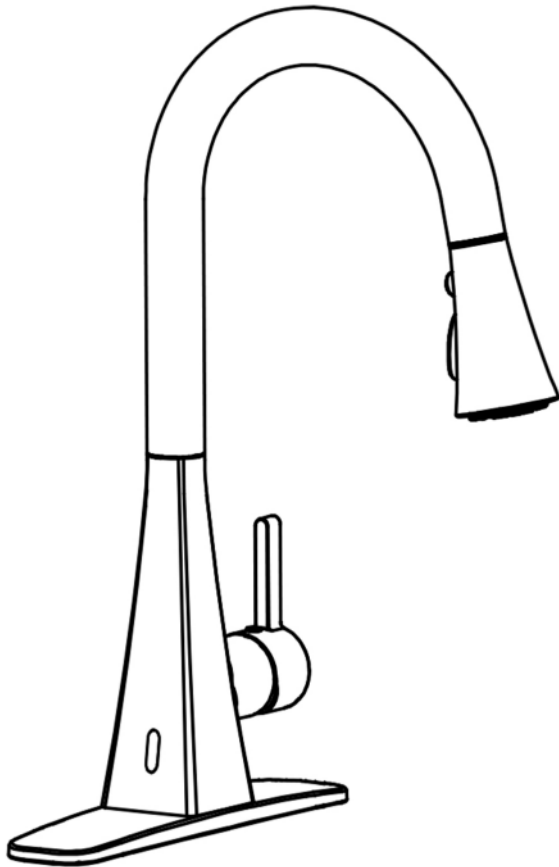


TOUCHLESS KITCHEN FAUCET

Installation Manual & Operating Instructions



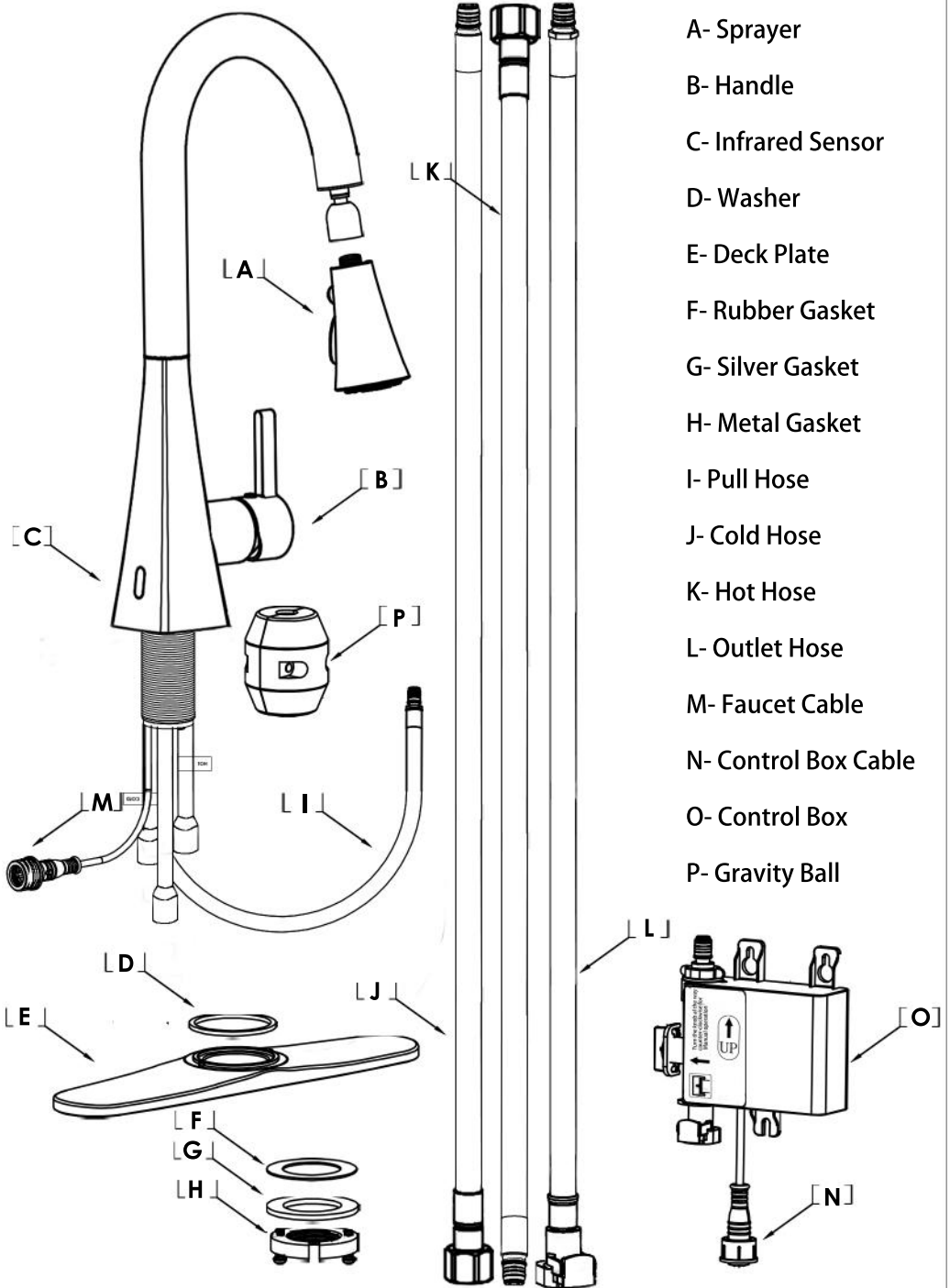
CONTENTS

Specifications -----	1
Components -----	2
Operations -----	3
Attentions -----	5
Cleaning & Maintenance -----	6
Installations -----	7
Troubleshooting -----	17

SPECIFICATIONS

ITEM	SPECIFICATIONS	ITEM	SPECIFICATIONS
Usage	Infrared Sensor	Power Supply	4pcs AA Batteries DC
Stability of Sensing Distance	When the power supply voltage drops from 6.4V to 4.5V, the sensing distance would not exceed $\pm 5\%$.	Undervoltage Function	When the voltage is lower than $4.5 \pm 0.1V$, the controller will close the valve and maintain the valve closing state. Under the low-voltage state, the sensor will be carried out, and the indicator light will flash 2 times per second, 20 times in total.
Sensing Distance	Factory Default Distance $12 \pm 10\%$ CM / $4.7 \pm 10\%$ INCH (for 29cm * 29cm standard whiteboard)	Automatically Shut off When Overtime	It can be long lasted to work about $180 \pm 20s$. For saving water, it will be shut off automatically when it's over 3mins.
Service Life of The Whole Faucet	500,000 Times of Cycles (Once of on and once of off mean one cycle)	Working Water Pressure	0.05-0.8Mpa

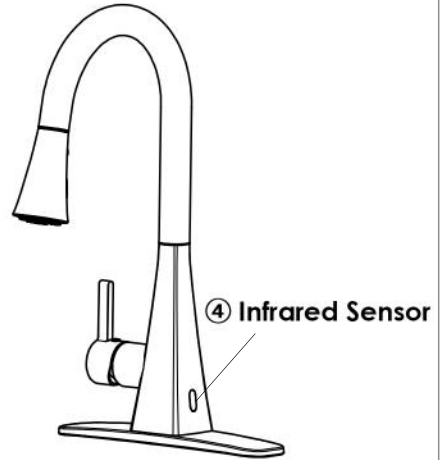
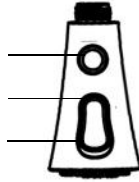
COMPONENTS



- A- Sprayer
- B- Handle
- C- Infrared Sensor
- D- Washer
- E- Deck Plate
- F- Rubber Gasket
- G- Silver Gasket
- H- Metal Gasket
- I- Pull Hose
- J- Cold Hose
- K- Hot Hose
- L- Outlet Hose
- M- Faucet Cable
- N- Control Box Cable
- O- Control Box
- P- Gravity Ball

OPERATION

- ① sweep
- ② stream
- ③ spray



1. Long press the button ① to get sweep mode. When the water pressure is higher than 30 psi, the best performance can be obtained. Otherwise, the water flow would be different.

2. Press button ② for steam mode.

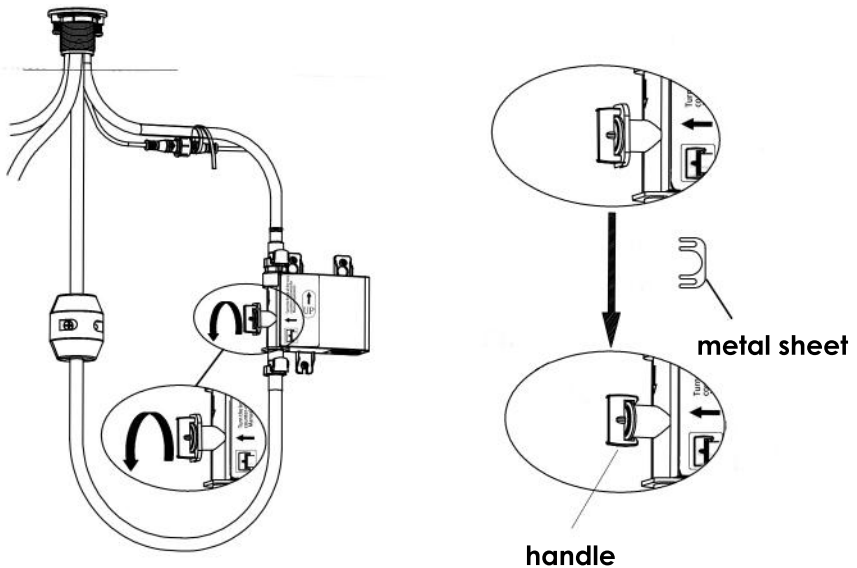
3. Press button ③ to spray mode.

4. ④ is the infrared sensor. Swing to turn on or turn off the faucet.

NOTE:

If you use mode ① or mode ③, when you turn off the faucet, the water will automatically return to ② mode.

OPERATION



How to change to manual mode:

1. Remove the metal sheet on the control box.
2. Turn the knob to the suggested position (as shown in the picture) to turn off the sensing control. Once change to manual mode, you can only use the handle to turn on/off the faucet.

WARNING: please **DO NOT** continue to rotate the knob once it locate to the suggested position, otherwise water will leak.

3. After replacing the batteries, the knob can be restored to the original position, and put the sheet back to restore the sensing control.

ATTENTIONS

1. Before installation, please check whether all accessories are complete or not. If there are missing accessories, please contact us: contactus24service@gmail.com
2. Be sure to turn off the water supply system before dismantling the existing faucet or valve. **MAKE SURE** it is completely turned off.
3. Incorrect installation may cause leakage and property damage. Please follow all installation instructions before making the final connection and turning on the power.
4. If you have difficulties in installation, you can contact a professional electrician to help you install this product.
5. Turn off the handle of the faucet when you leave home.
6. When you leave for a long time and do not use this faucet, please follow the steps below:
 - ① Close the water supply valve.
 - ② Remove the batteries from the control box.
7. It is **NOT** allowed to hit or knock the infrared sensor control.
8. The infrared sensor control should avoid direct sunlight.

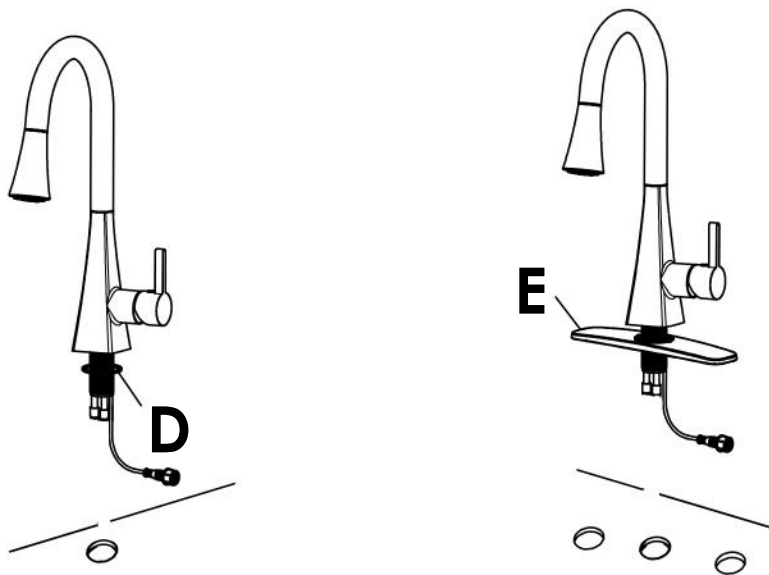
CLEANING & MAINTENANCE

1. To protect the finish on the metallic parts of the faucet, please use non-abrasive wax, such as automobile wax. Any other detergent that will damage the surface of the faucet should be rinsed off immediately.
2. Regular cleaning of the nozzle can prevent calcium accumulation and reduce the blockage of water flow.
3. If the water flow is lower than the normal volume, please clean the water inlet hose.
 - ① Remove the hot and cold supply hose.
 - ② Place each hose in the cup of clean water and stir back and forth for 15 seconds to remove scale or other blockage that reduces water flow.
 - ③ Then connect the hot and cold pipes back to the supply valve. Tighten the nut of the water supply hose, but **DO NOT** over-tighten it.
 - ④ Open the hot and cold water supply valve and check whether all connections leak or not. If there is water leakage, it needs to be tightened again, but **DO NOT** tighten it too tightly.

NOTE:

Check whether all connections leak or not. If there is water leakage, it should be tightened again, but DO NOT tighten it too tightly.

INSTALLATIONS



Step 1:

Install the faucet into the sink hole

Single Hole Application:

Install the washer (D) through the pull hose under the faucet in the hole of the sink.

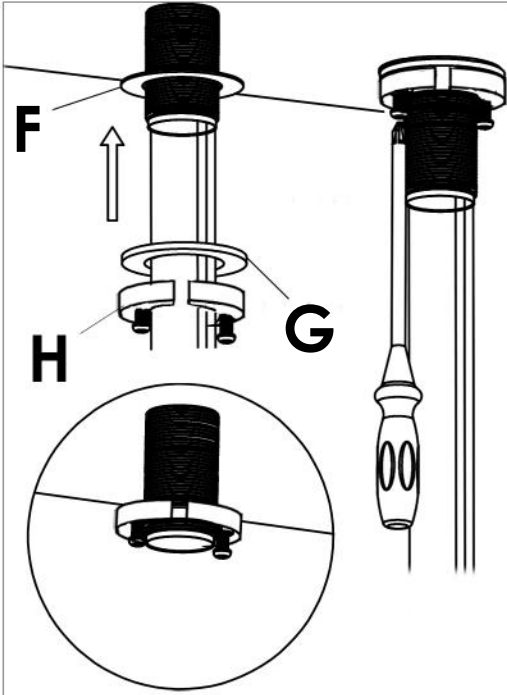
Three Holes Application:

First align the panel (E) with the hole position of the sink, and then install the pull hose under the faucet through the panel in the hole on the sink.

NOTE:

The handle mounted on the right side is only suitable for the two above applications. (It means that it DOES NOT suitable for two/four holes)

INSTALLATIONS

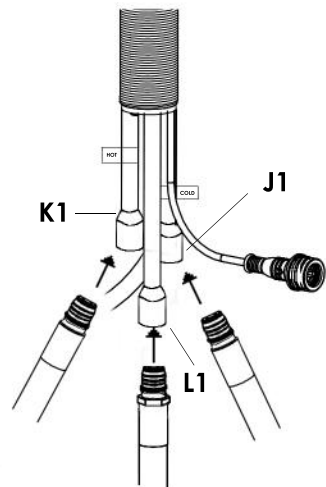


Step 2:

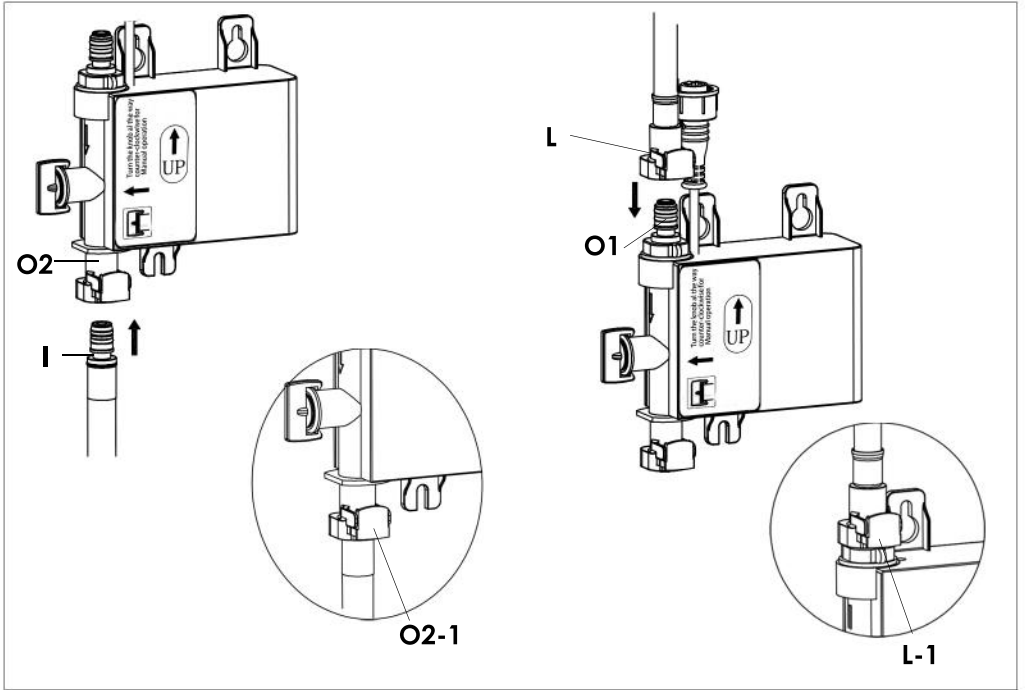
Firstly, thread the rubber gasket (F), silver gasket (G) and metal gasket (H) from the pull hose under the sink in order, and then tighten the two screws with a cross screwdriver to fix the upper part of the faucet.

Step 3:

Connect the hot hose (K) to K1, the cold hose (J) to J1, and the outlet hose (L) to L1. Tighten the connection.



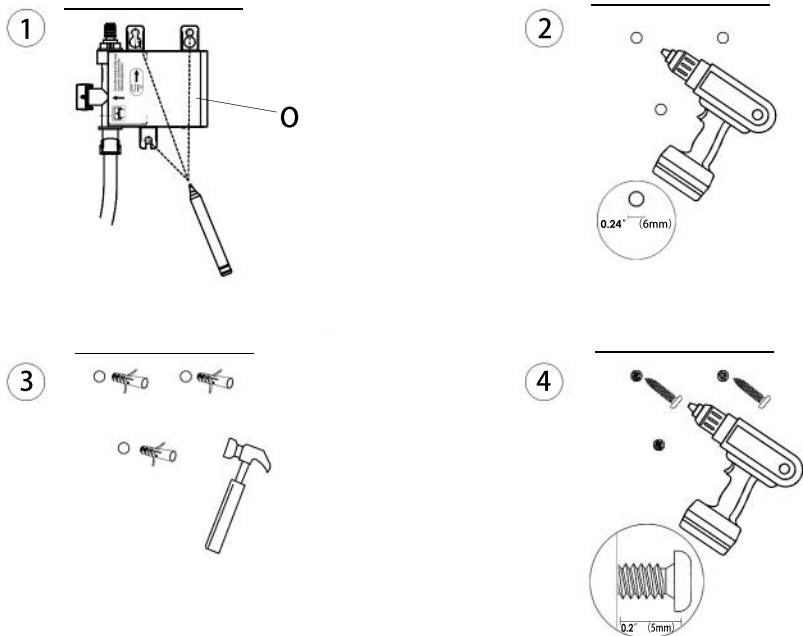
INSTALLATIONS



Step 4:

Firstly connect the pull hose (I) to the O2 of the control box, press the O2-1 to plug in the pull hose port, and then press the button L-1 above the water outlet hose (L) to connect to the O1.

INSTALLATIONS



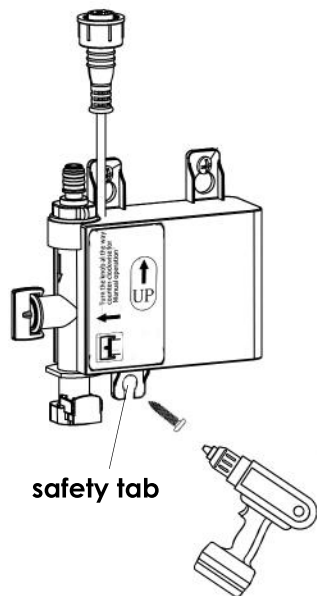
Step 5:

If there is no reserved screw hole on the wall at home, you can take the control box (O) and place it on the wall to mark and determine the hole position, and then drill three holes with a diameter of 0.24 inch (6 mm). Then knock the expansion pipes into the holes with a hammer. Screw 2 screws into the upper 2 holes.

NOTE:

DO NOT screw the whole screws into the expansion pipe, but leave about 5mm to hang the control box.

INSTALLATIONS



Step 6:

1. First hang the control box on the screws on the wall.
2. Screw through the safety tab and fix the hole under the control box on the wall.
3. Make sure the control box is fixed on the wall.

NOTE:

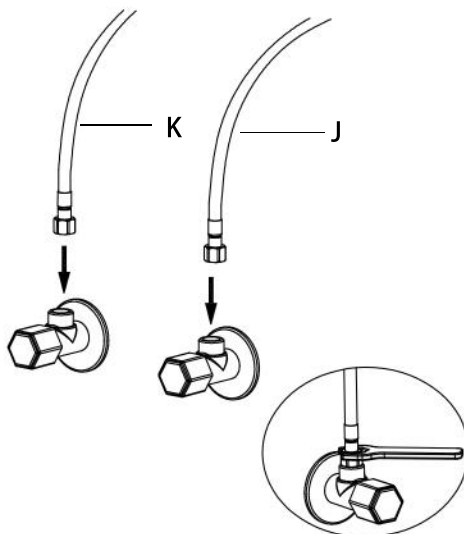
Make sure the control box is facing up as shown on the label.

Step 7:

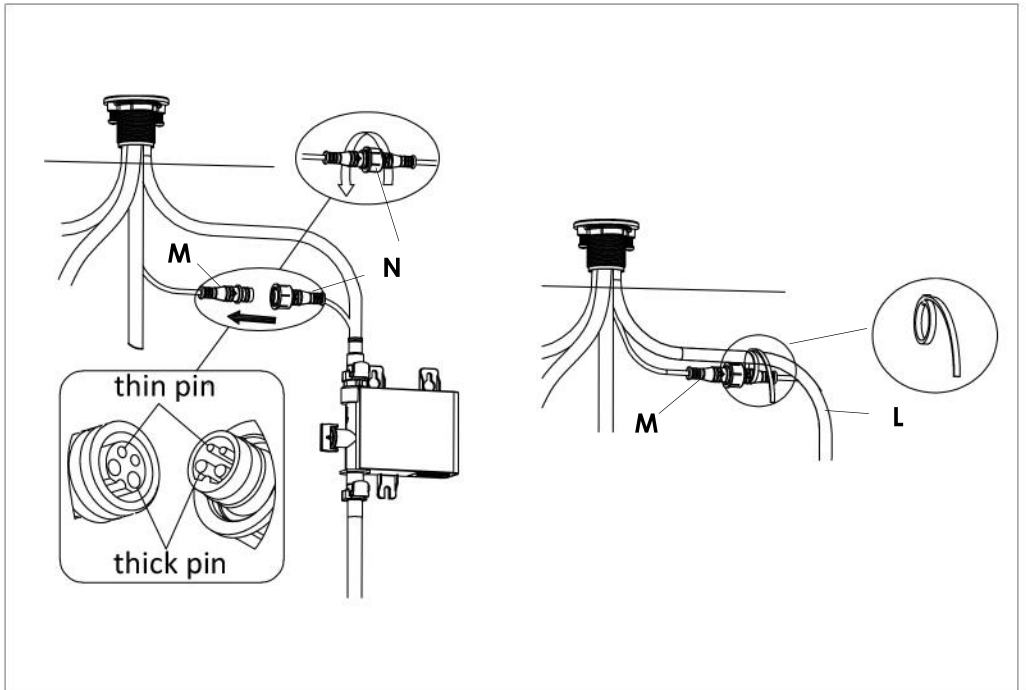
Make sure that all fittings and connections are free of debris, turn off the water supply valve (not provided). Connect the hot hose (K) to the hot supply valve and the cold hose (J) to the cold supply valve, tighten them. But **DO NOT** over-tighten it.

WARNING:

DO NOT use pipe coatings or other sealants at water connections. If there is no hot water supply, the hot hose could be not to connect.



INSTALLATIONS



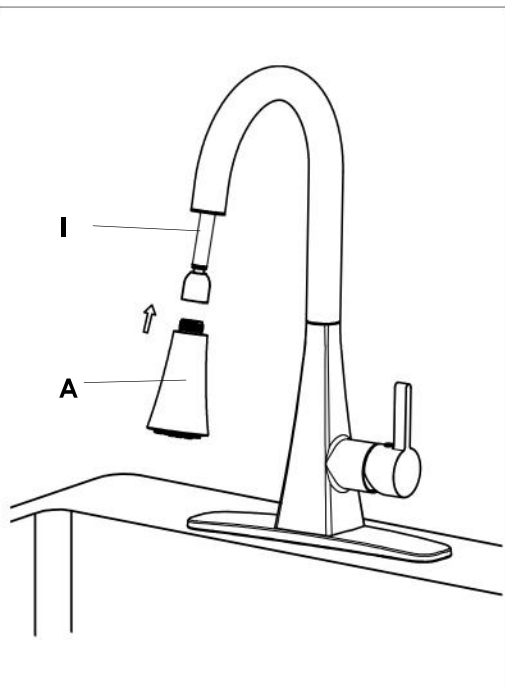
Step 8:

Connect the cable (M) of the faucet and the cable (N) of the control box in the same direction. Secure the connection by turning the nut on the control box cable (N). The cable (M) and outlet hose (L) can be tied together with cable ties.

NOTE:

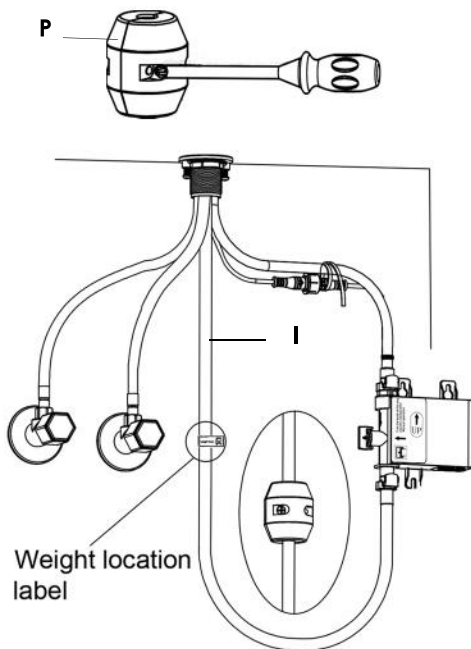
DO NOT FASTEN THE PULL HOSE (I).

INSTALLATIONS

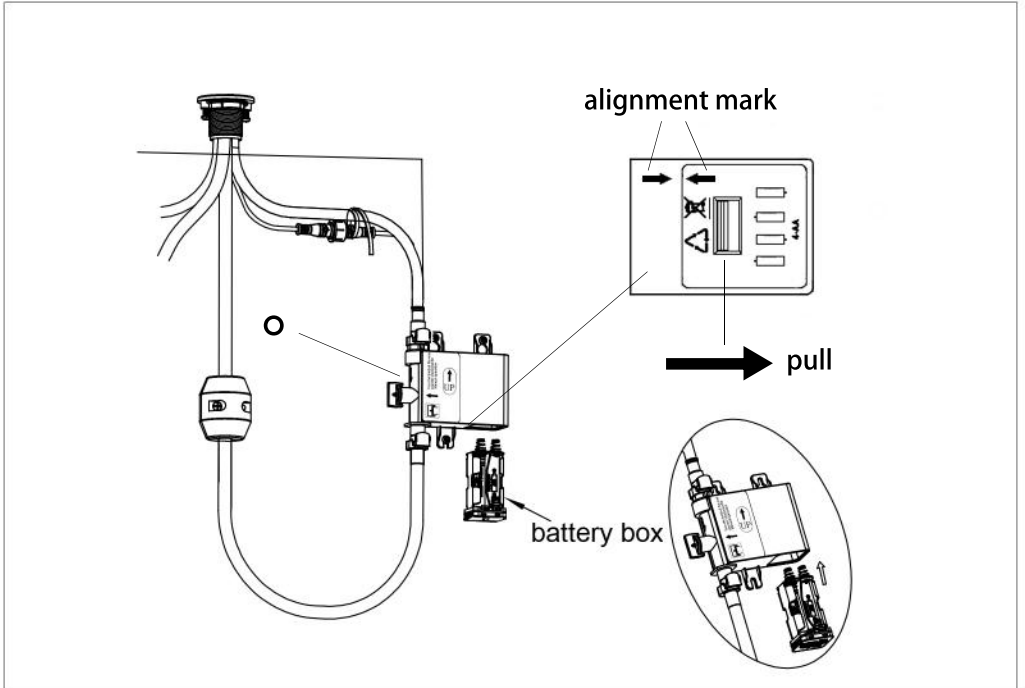


Step 9:
Pull out the pull hose (I) the faucet outlet, and then tighten the sprayer (A) on the pull hose (I).

Step 10:
Remove the screws of the gravity ball (P), install it to the label position of the pull hose (I), and fix it by tightening the screws.



INSTALLATIONS



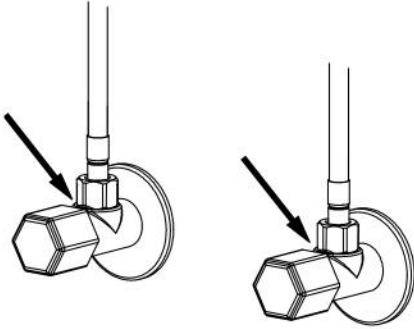
Step 11:

Pull the button toward right of the control box (O) to take out the batteries box, install 4pcs AA batteries into the battery box, and then push the battery box back into the control box.

NOTE:

1. Ensure that the batteries polarity matches. Make sure all are NEW batteries.
2. DO NOT mix alkaline, standard (carbon zinc) or rechargeable (nickel cadmium, nickel manganese) batteries.
3. Please properly dispose of all used batteries and comply with local regulations and laws.

INSTALLATIONS

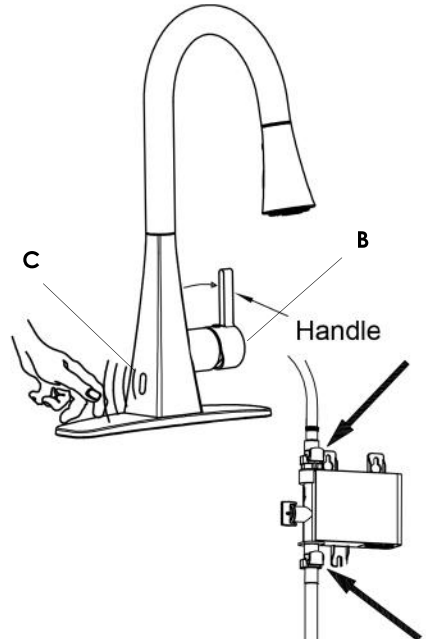


Step 12:

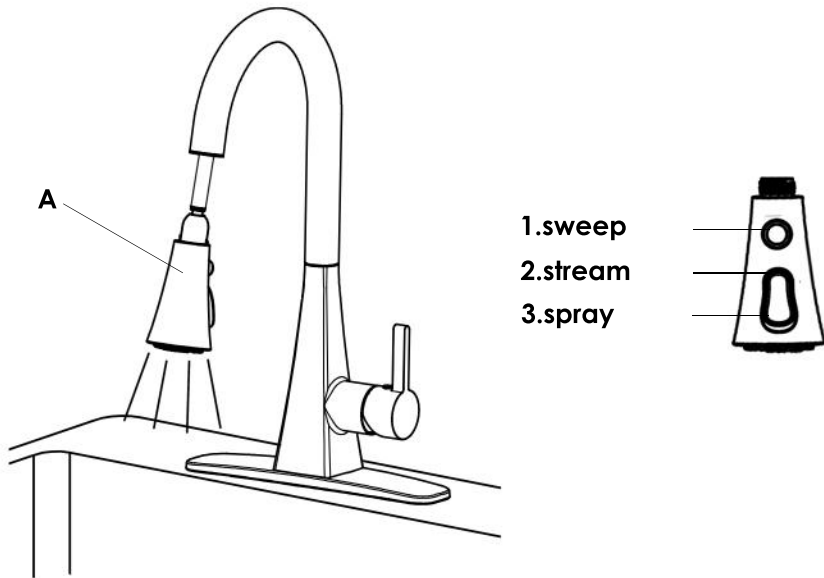
Turn on the hot and cold water supply and check all connections for leaks. If there is water leakage, you can re-tighten the hose, but **DO NOT** over tighten it.

Step 13:

Turn on the faucet handle (B), move the hand to the infrared sensor (C), and check whether the water can flow out or not. Set the water temperature by rotating handle. Check all connections for leaks. The water will stop automatically after 3 minutes.



INSTALLATIONS



Step 14:

Pull out the sprayer (**A**) and press the button it to test whether the three water outlet modes can be used or not. You can slide the sprayer back to its original position several times to check whether it can return automatically or not. If there is no error, the faucet can be used.

Troubleshooting

1. If the batteries are out of power, does the faucet work manually?

Of course. When the voltage is lower than $4.5 \pm 0.1V$, the indicator light at the infrared sensor will flash 2 times per second and 20 times in total under the low-voltage state, which means that it suggested to replace the batteries.

2. What if the hose does not retract?

① Please make sure that the gravity ball is buckled in the correct position of the pull hose that connecting the sprayer, but not connected to other parts of the copper hose. Please find the actual operation method in Step 9.

② Please make sure the hoses under the sink without crossing, so that the gravity ball can move up and down smoothly.

3. Why does the infrared sensor out of work?

Firstly, make sure you have installed the batteries (you should prepare 4pcs AA batteries which are not included in the package). Then check whether the cables are connected correctly and make sure you have turned on the handle. Finally, make sure the knob on the control box is in sensor mode.

Dear Customers,

**If there is any problem with the product,
please feel free to contact us.**

E-mail : contactus24service@gmail.com