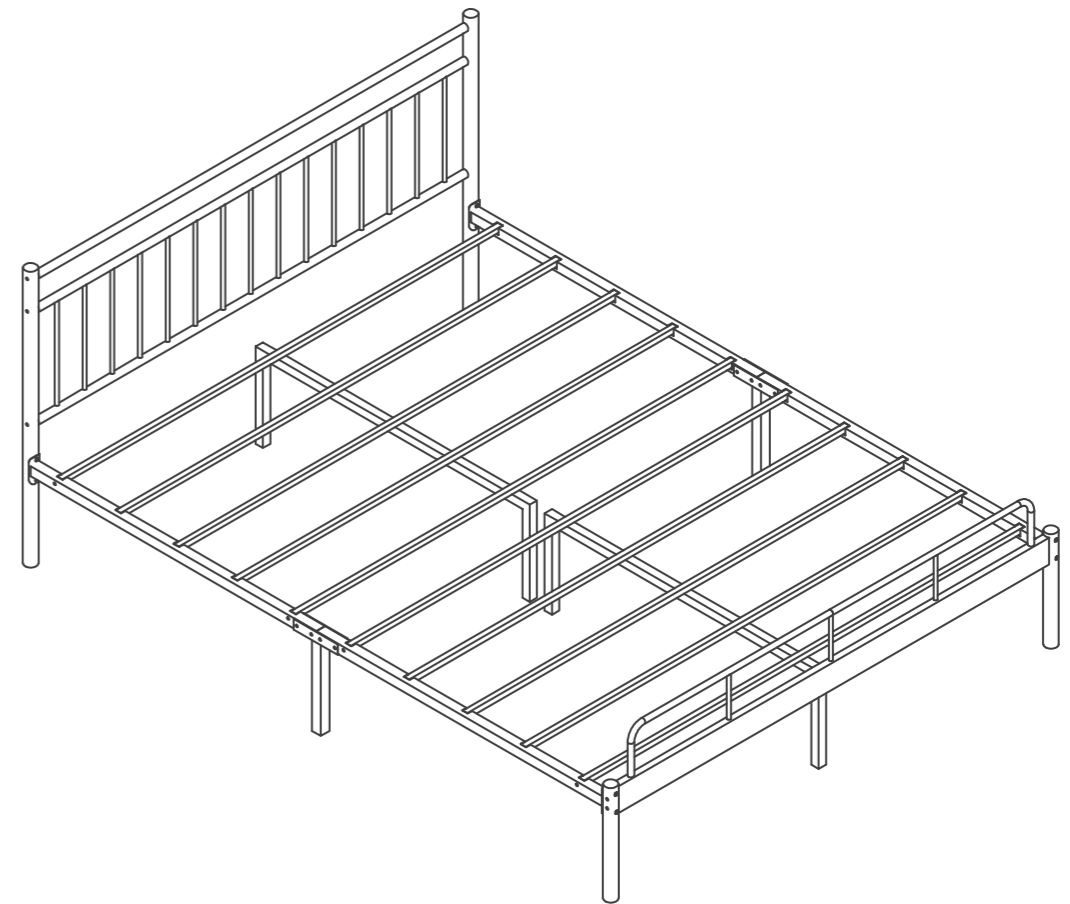

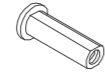

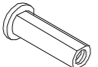







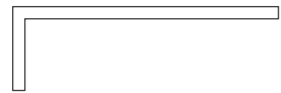
*ASSEMBLY INSTRUCTION*

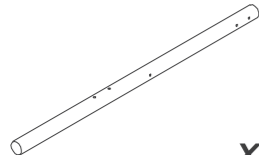
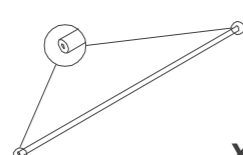
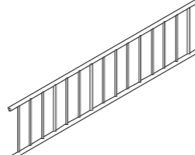
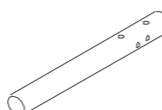
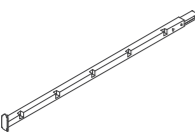
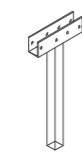
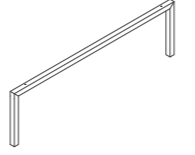
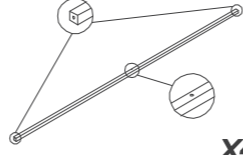
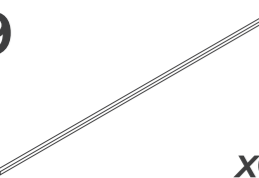
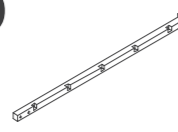
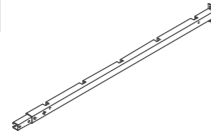
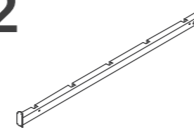
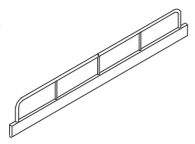


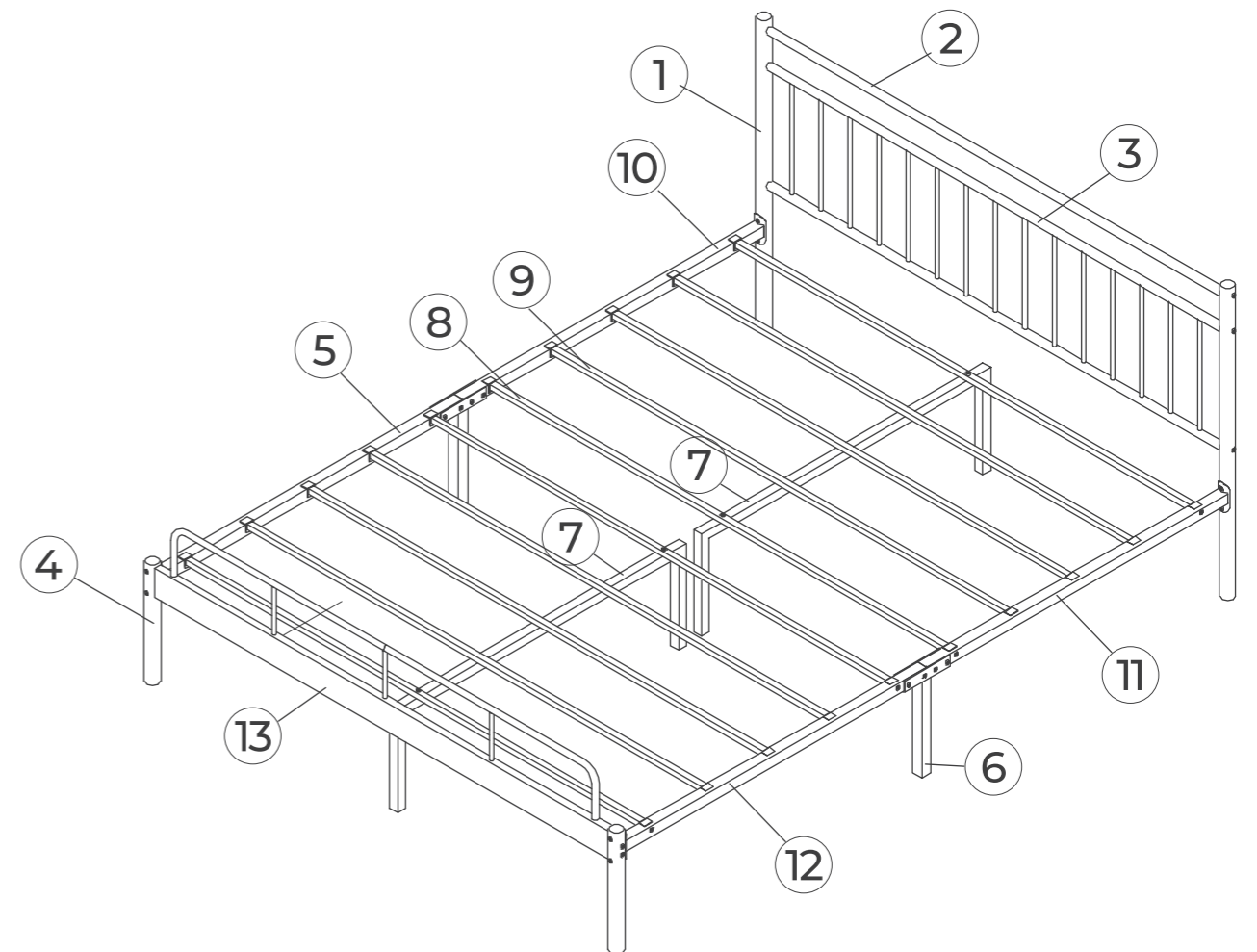
**PARTS LIST**

<b>A</b>		M6*60 x10	<b>B</b>		M8*27 x8	<b>C</b>		M8*30 x8
<b>D</b>		M6*27 x8	<b>E</b>		M6*25 x8	<b>F</b>		M6*45 x4
<b>G</b>		x6	<b>H</b>		Plastic Cap x20	<b>I</b>		M6*35 x8

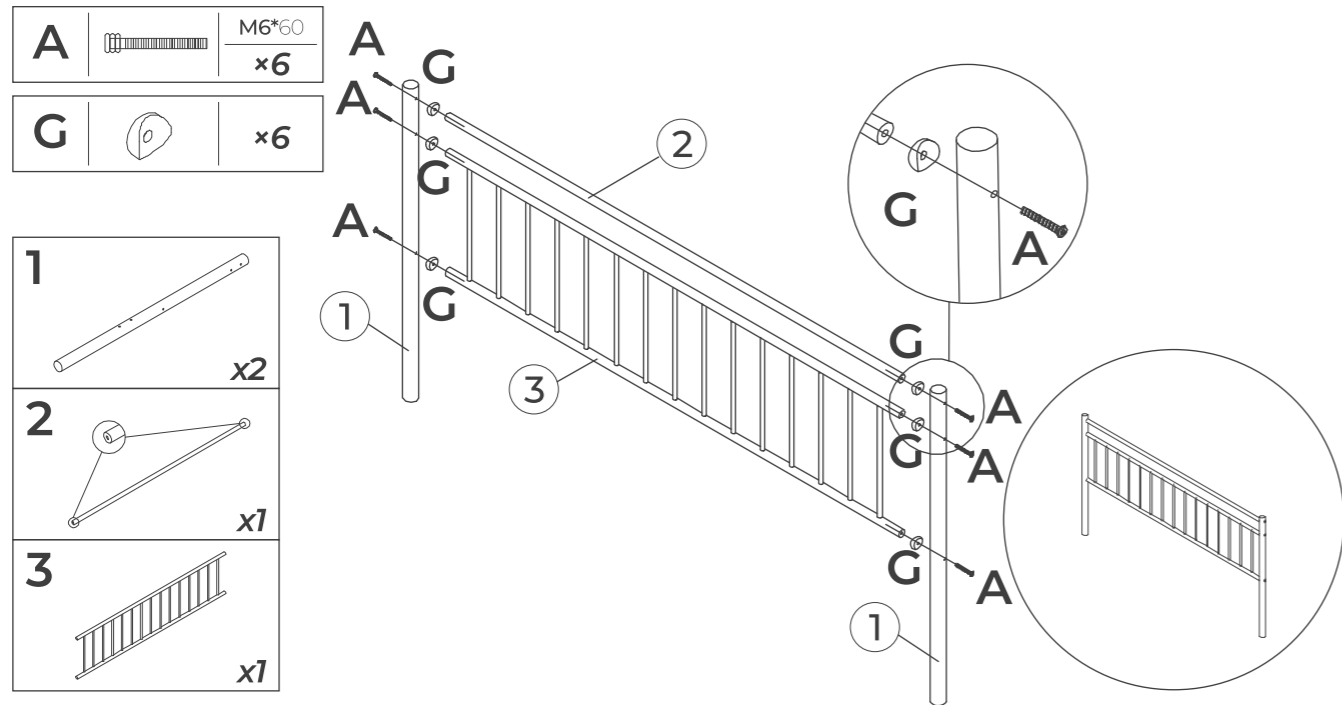
Assemble Tool x1



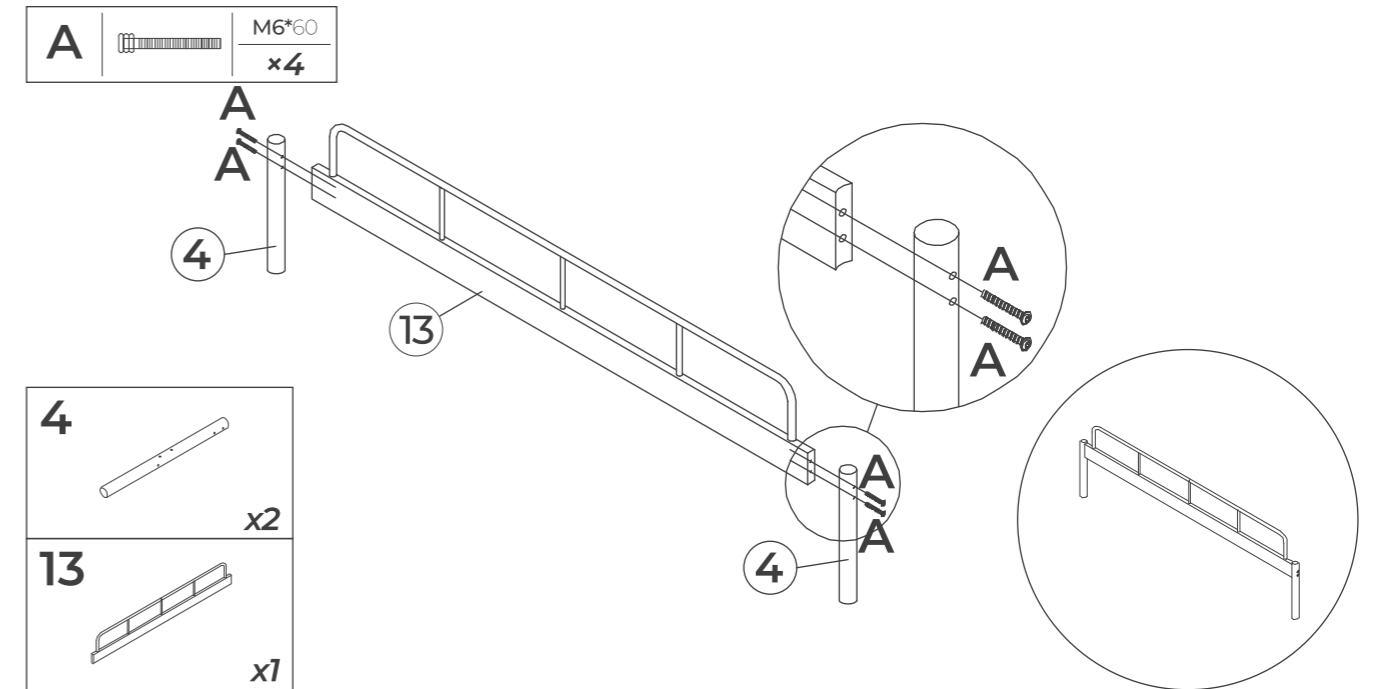
<b>1</b>		x2	<b>2</b>		x1	<b>3</b>		x1	<b>4</b>		x2
<b>5</b>		x1	<b>6</b>		x2	<b>7</b>		x2	<b>8</b>		x4
<b>9</b>		x6	<b>10</b>		x1	<b>11</b>		x1	<b>12</b>		x1
<b>13</b>		x1									



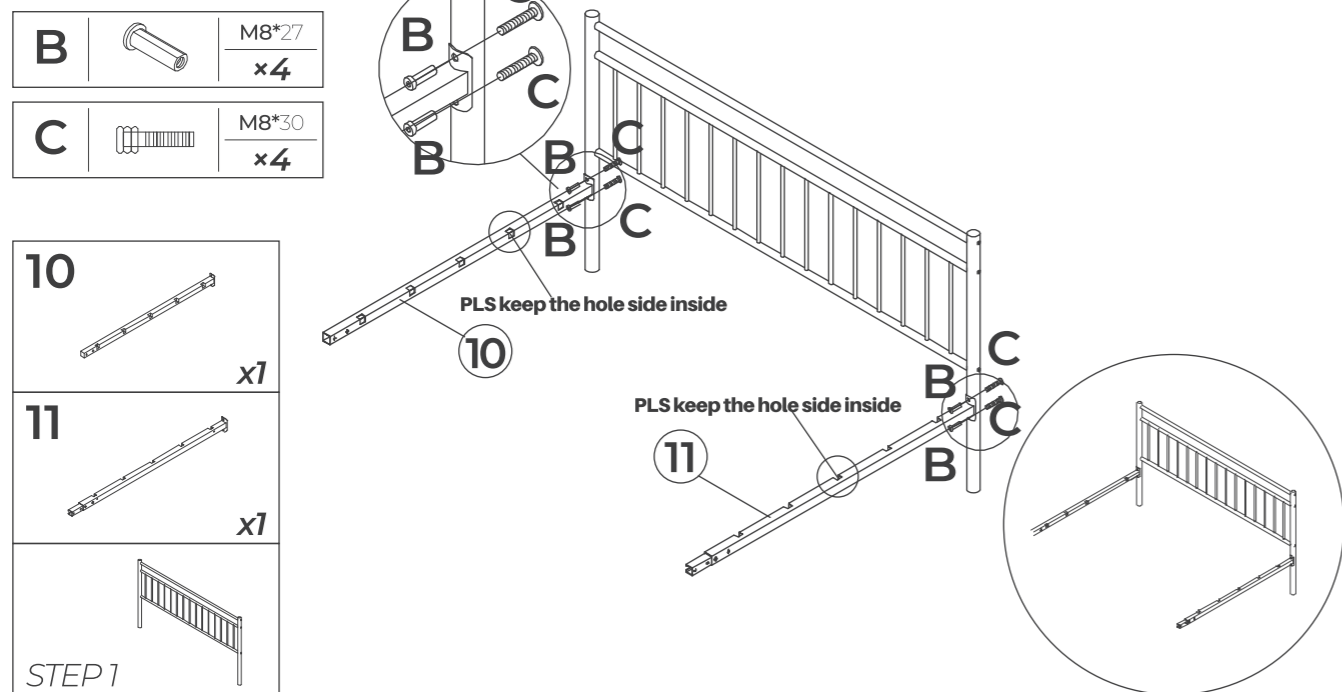
**STEP 1** Pls do not overtighten the screws for better to install Step 8



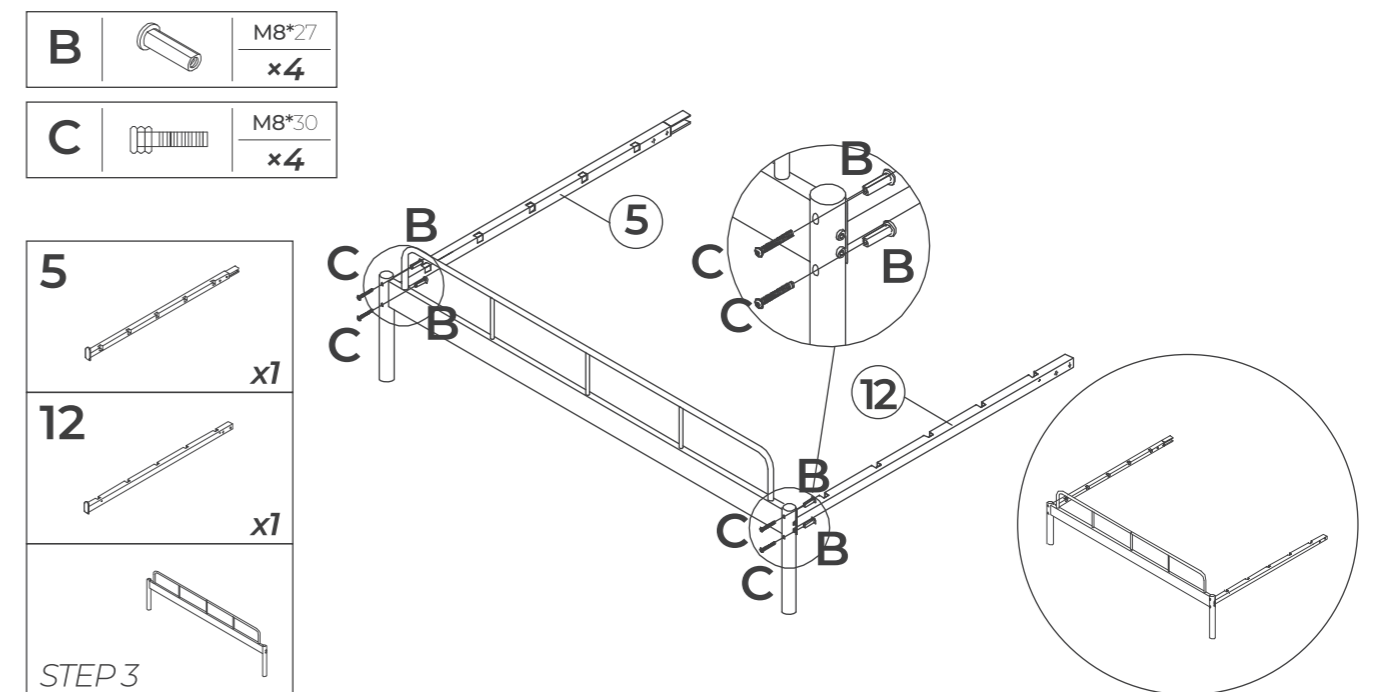
**STEP 3** Pls do not overtighten the screws for better to install Step 8



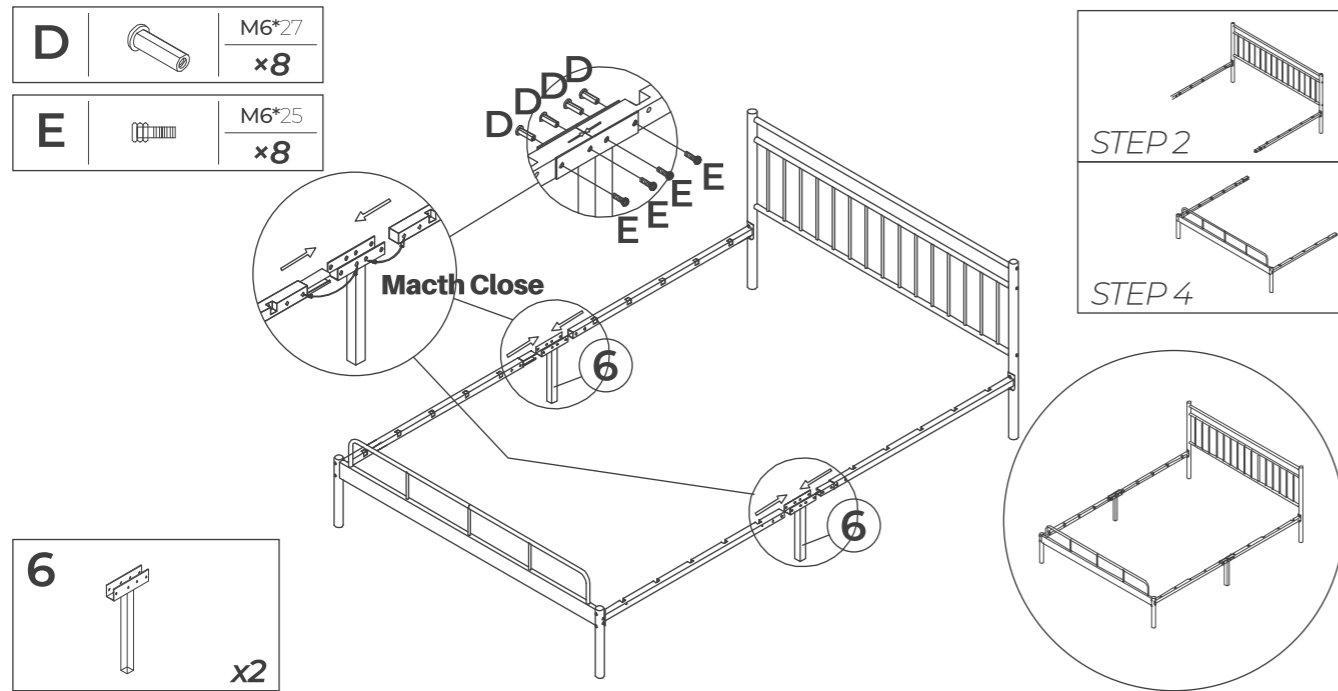
**STEP 2**



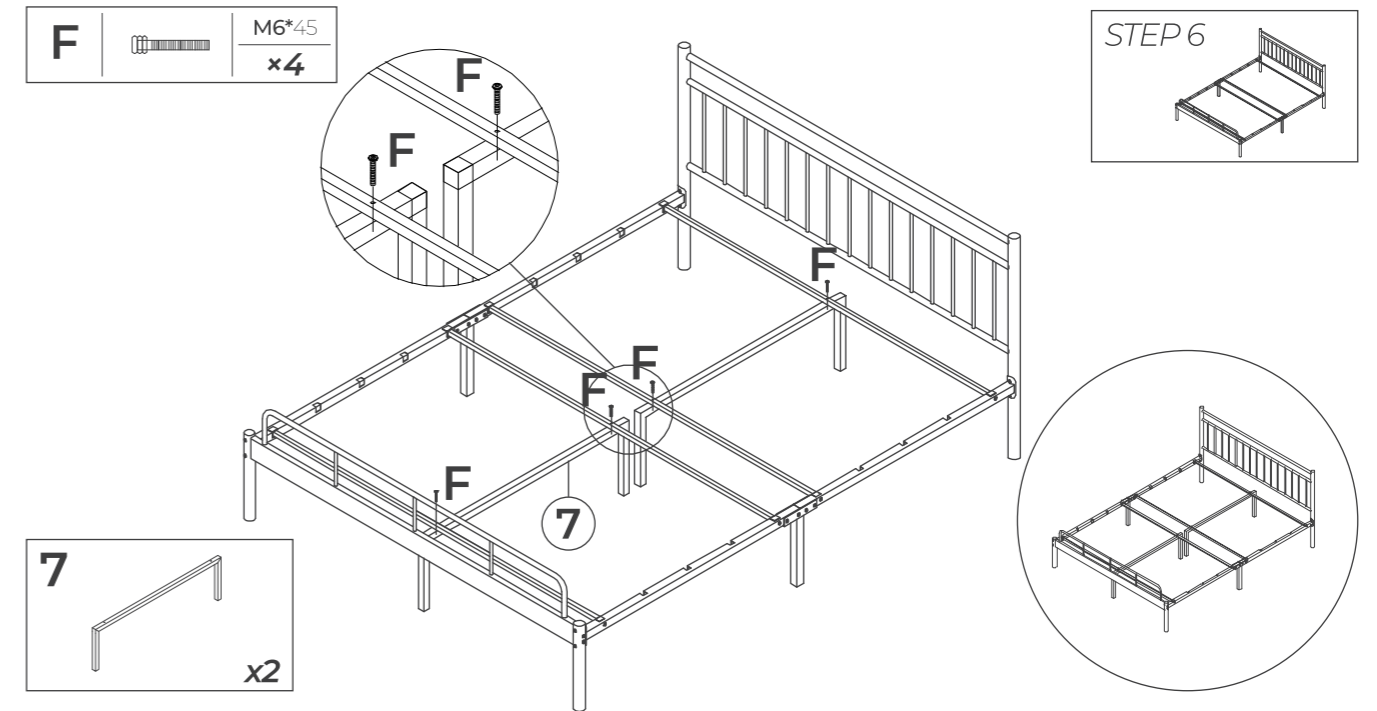
**STEP 4**



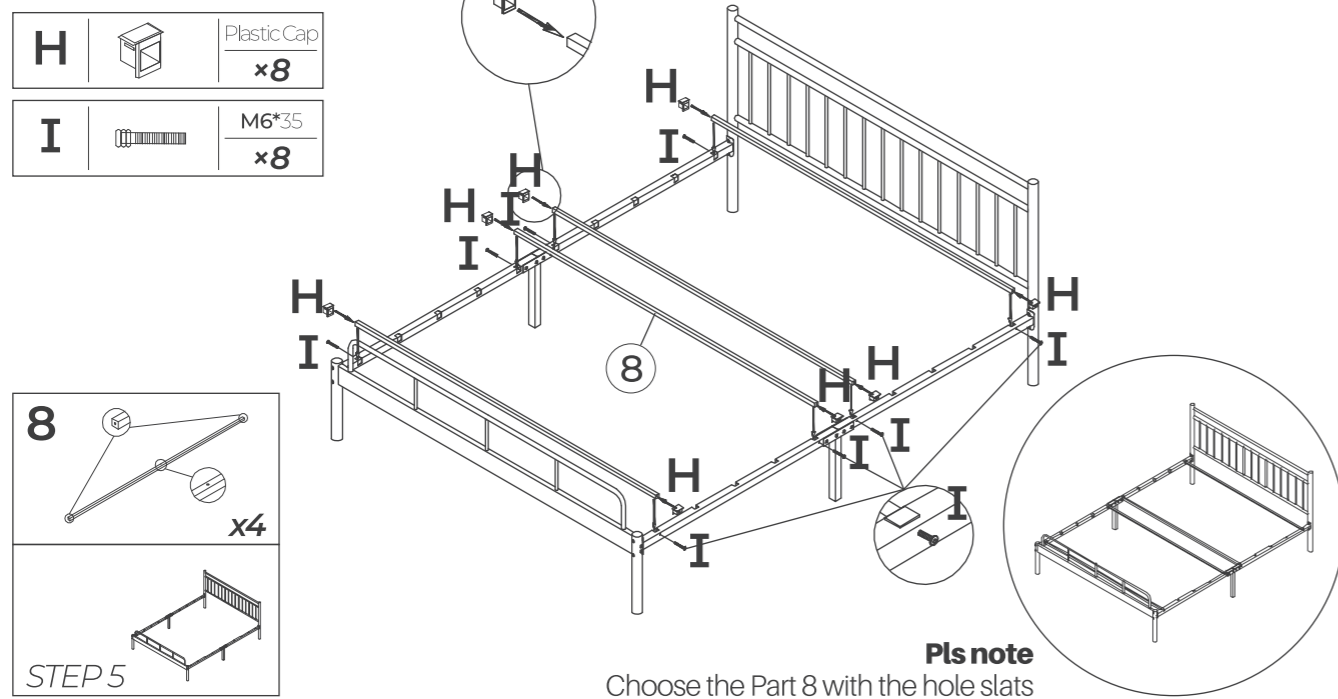
### STEP 5



### STEP 7



### STEP 6



### STEP 8

Finally, tighten all the screws and successfully assemble

