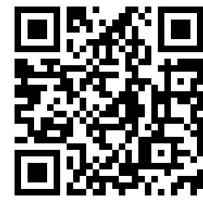
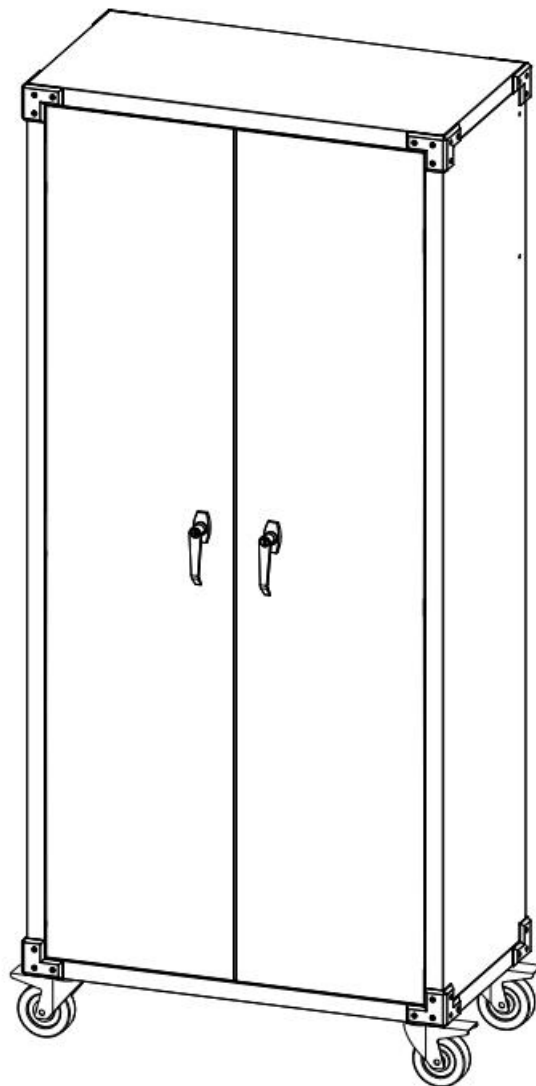


# Cabinet

Product ID: QUFLG

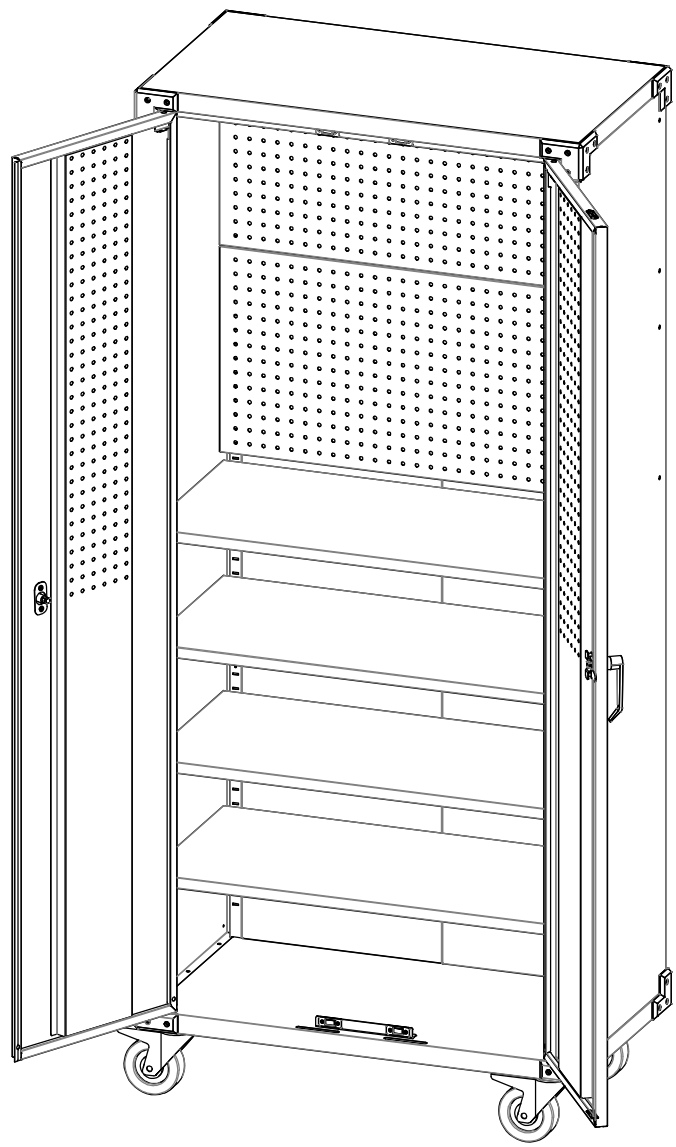


Scan for Support



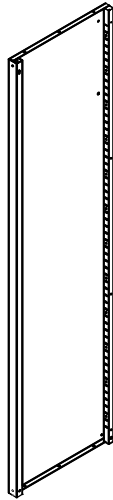
Distributed by  
**GARVEE**.com

[support@garvee.com](mailto:support@garvee.com)



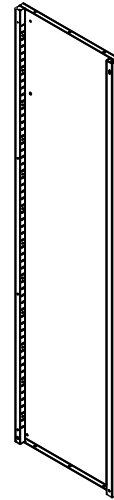
A Left side panel

1PC



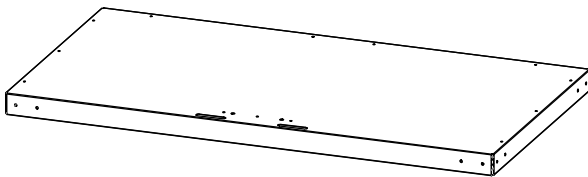
B Right side panel

1PC



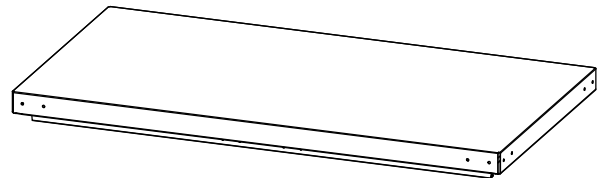
C Bottom panel

1PC



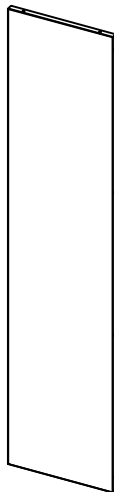
D Top panel

1PC



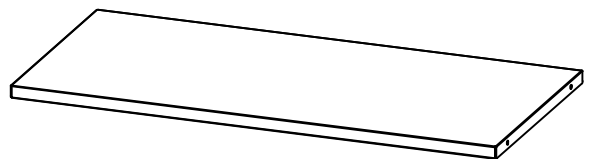
E Back panel

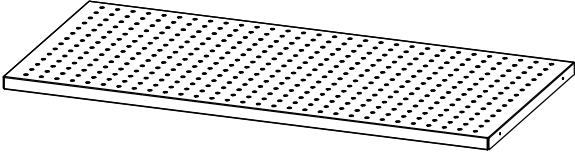
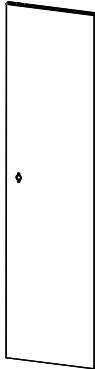
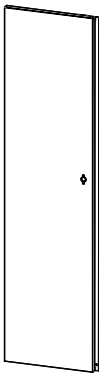
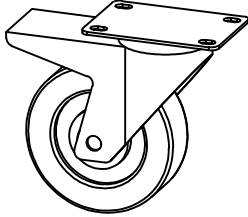
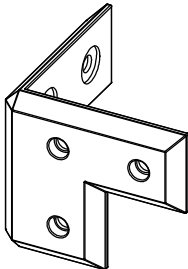

2PCS

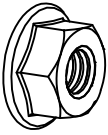

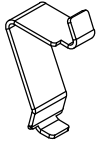

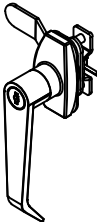
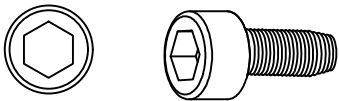
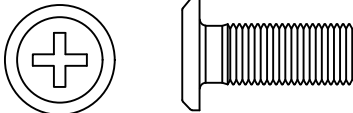


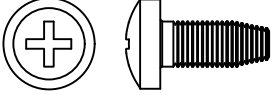
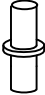
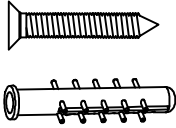
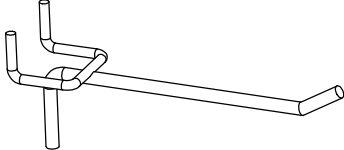


G Shelf

4PCS



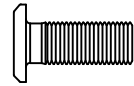
G <sub>g</sub> Peg board	2PCS	H Right door	1PC
			
I Left door	1PC	K Castor	4PCS
			
L Corner protector	8PCS	M	1PC
			

N	4PCS	O Anti-tipping strap	2PCS
			
P Shelf clasp	16PCS	Q Handle lock	2PCS
		<p>Q<sub>1</sub></p> 	<p>Q<sub>2</sub></p> 
R	50PCS	S	20PCS
			

T	39PCS	U Door pivot	2PCS
<div data-bbox="118 259 213 300" style="border: 1px solid black; padding: 2px;">M4*10</div> <div data-bbox="280 488 552 582" style="text-align: center;">  </div>			
V Expansion screw	2PCS	J Hook	4PCS
<div data-bbox="347 1079 523 1205" style="text-align: center;">  </div> <div data-bbox="156 1379 743 1415" style="text-align: center; margin-top: 20px;"> <p>Including 2 spare lock rod sleeves (Already pre-installed)</p> </div>			
W Shim	4PCS	X Lock rod	2PCS
			

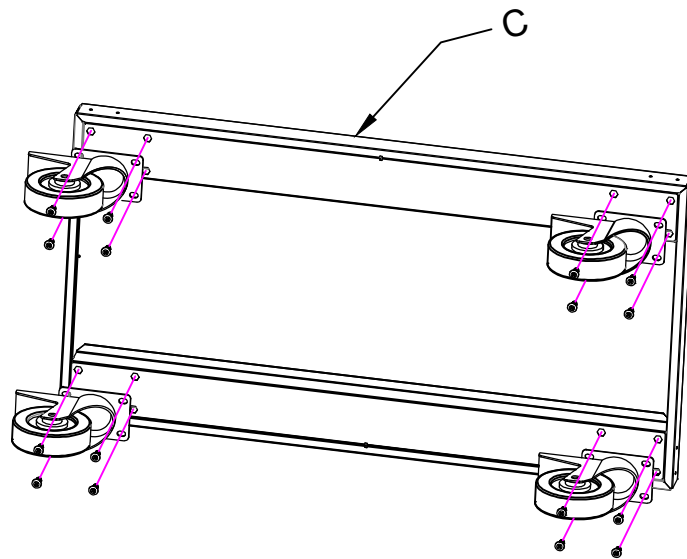
Step 1

S

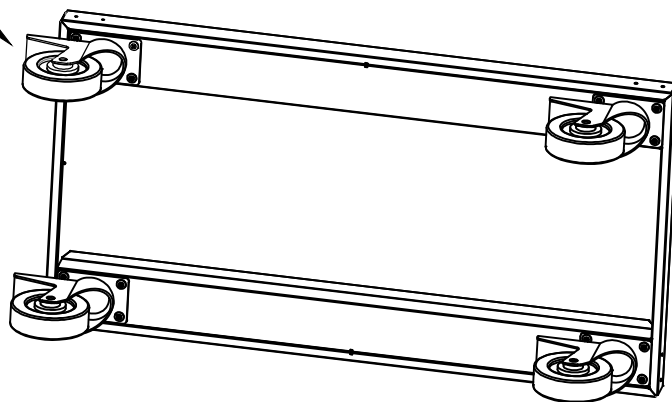


16PCS

Install the castors (K) to the bottom panel (C) with screws S

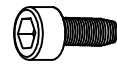


K\*4



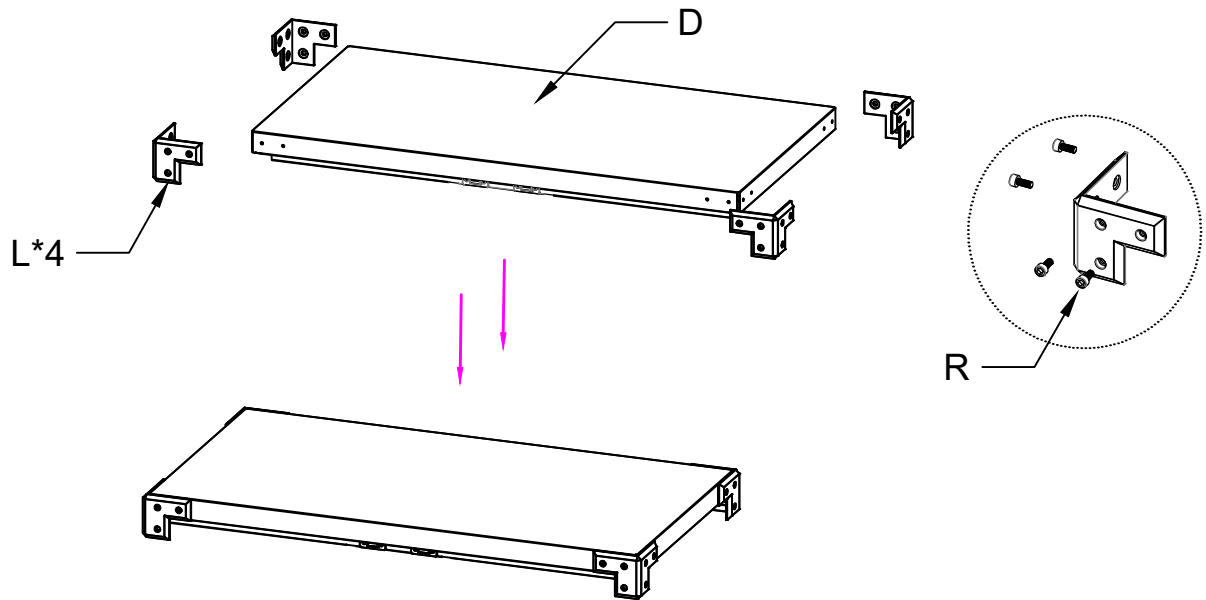
## Step 2

R

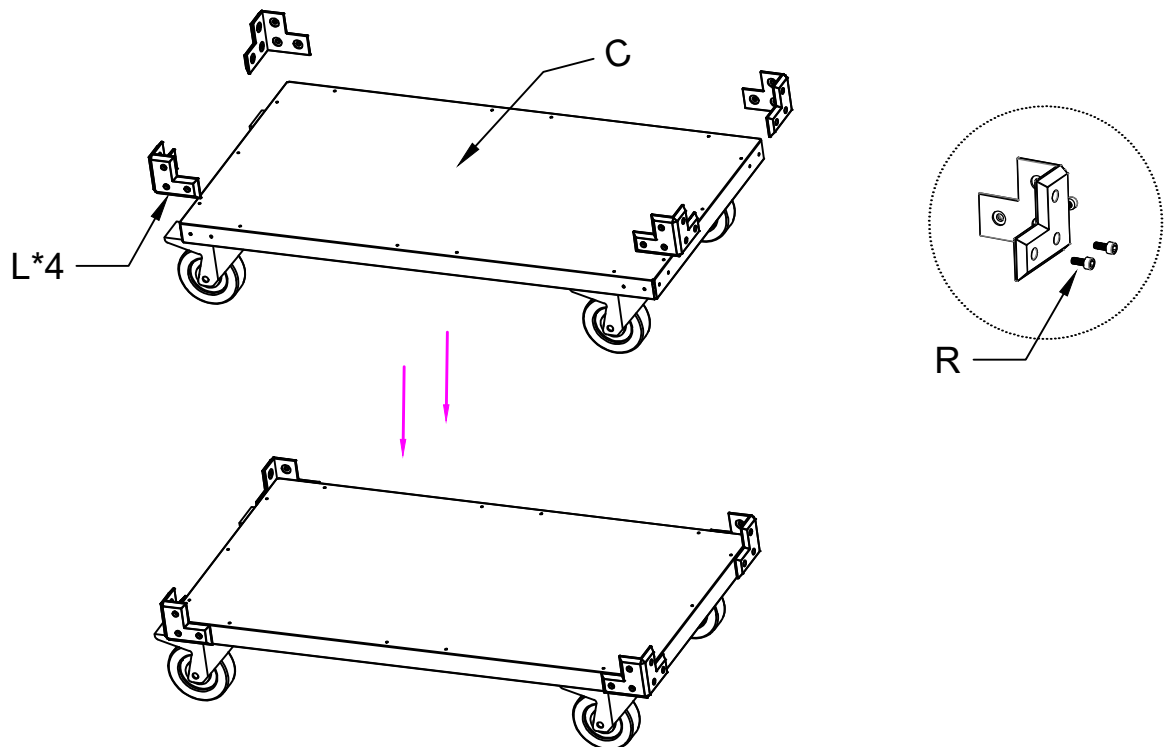


32PCS


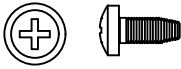
Install the corner protectors (L) to the bottom panel (C) and top panel (D) with screws R



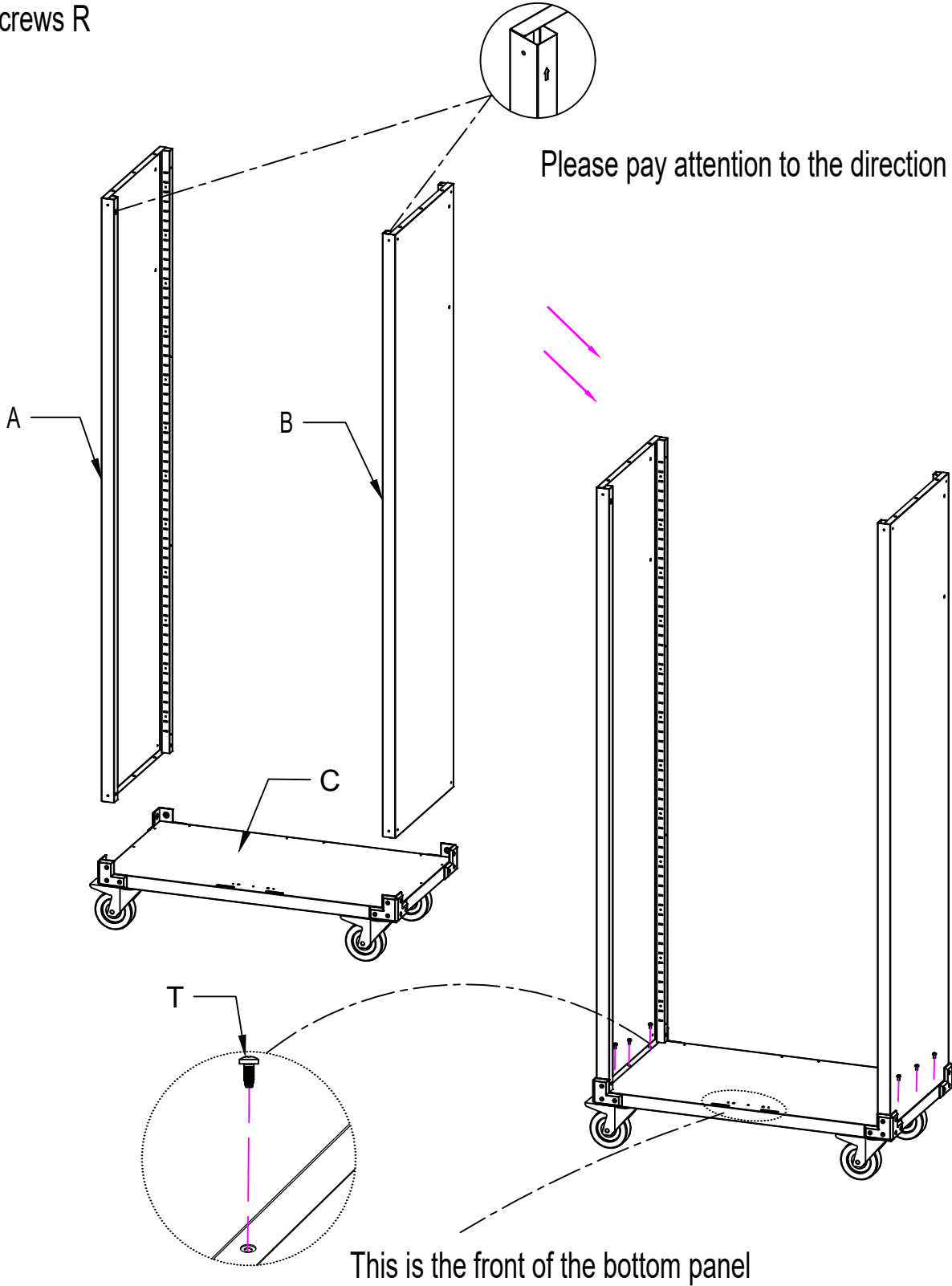
Please brake the casters to install the corner protectors easier



### Step 3

<b>R</b>		8PCS
<b>T</b>		6PCS

Connect the side panels (A and B) to the bottom panel (C) with screws T, then fix the corner protectors with screws R



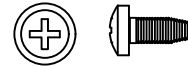
## Step 4

R



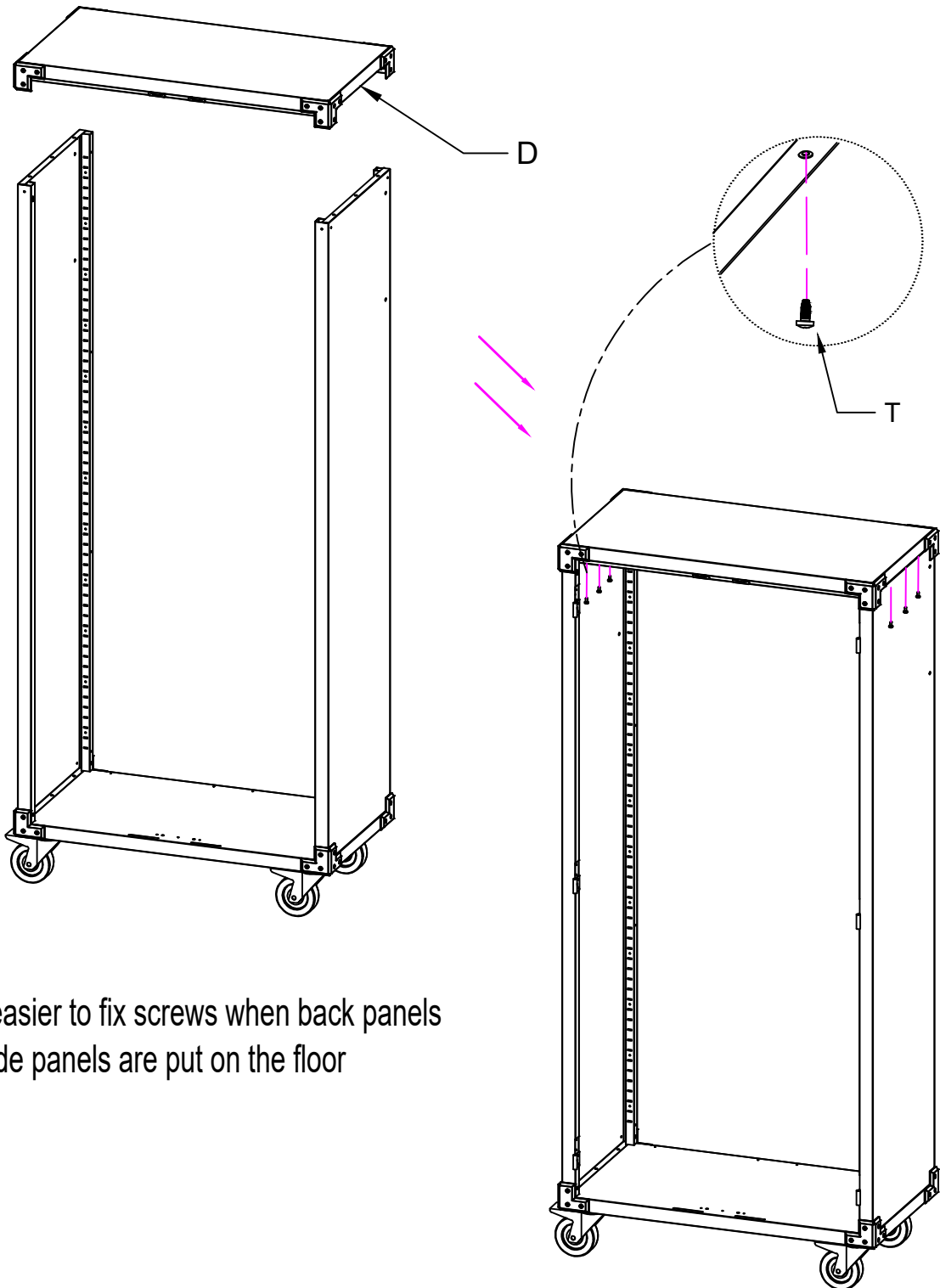
8PCS

T



6PCS

Connect the side panels (A and B) to the top panel (D) with screws T, then fix the corner protectors with screws R



It's easier to fix screws when back panels or side panels are put on the floor

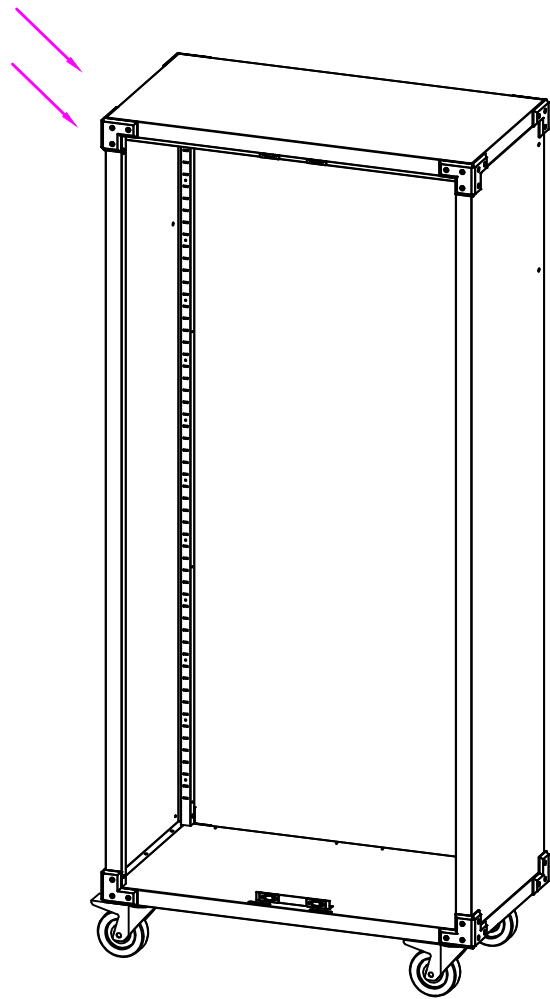
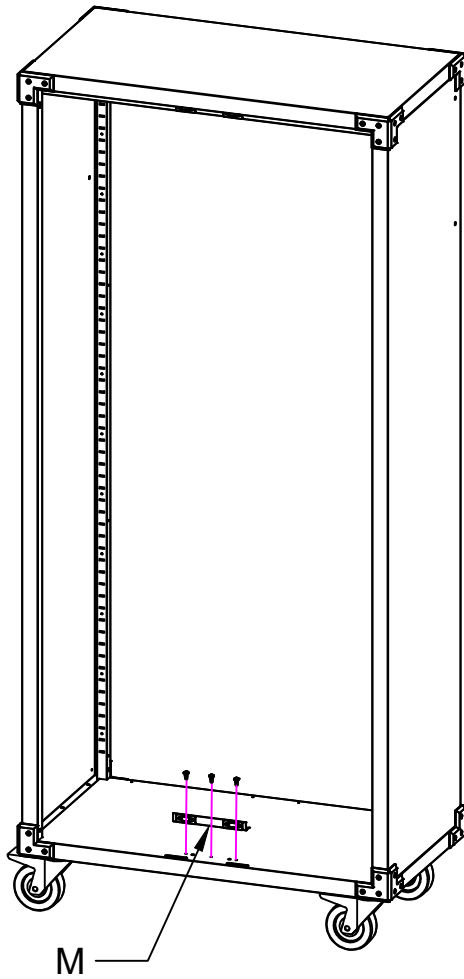
## Step 5

T



3PCS

Install the door magnet (M) on the bottom panel (C) with screws T



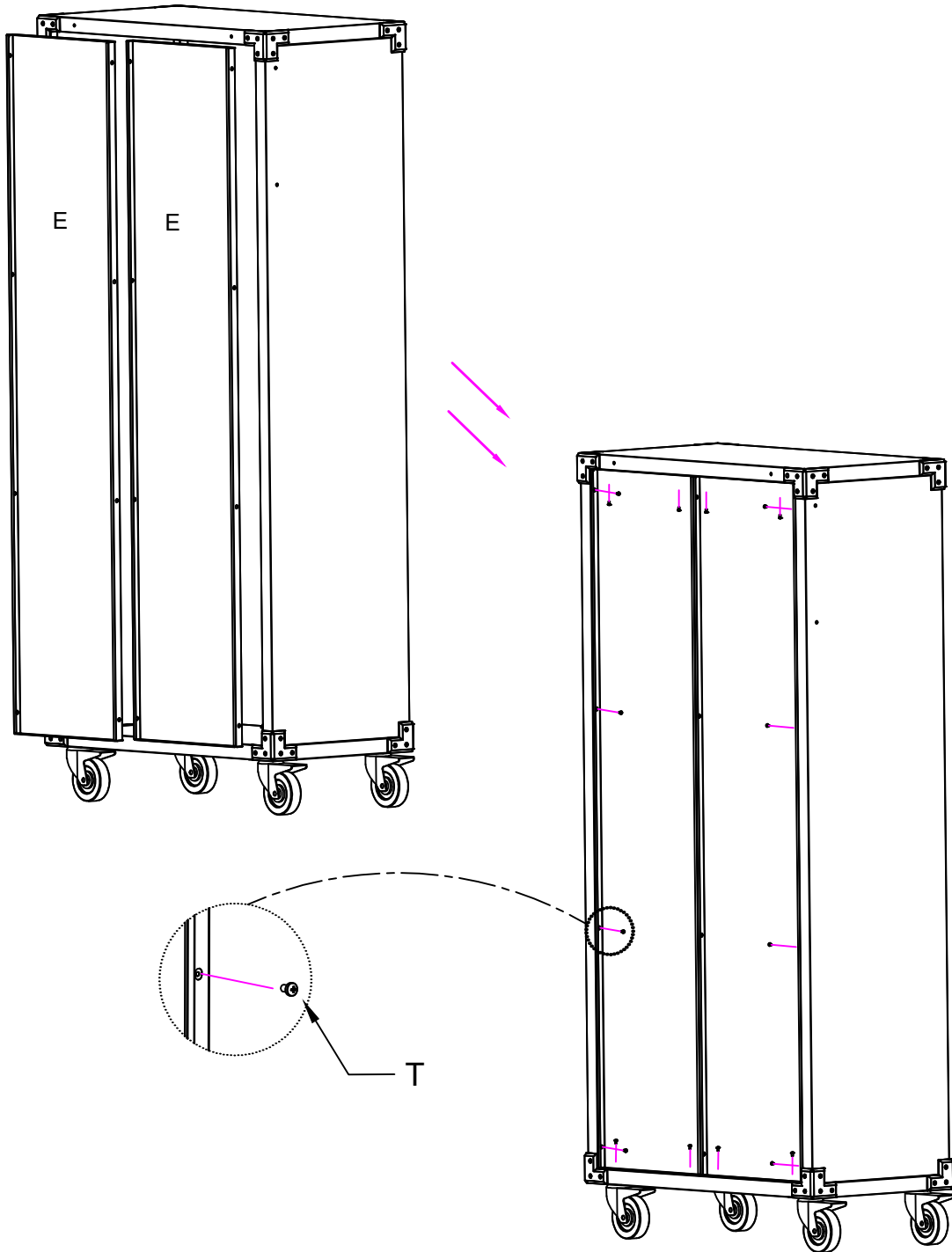
# Step 6

T



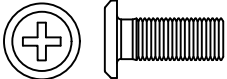

16PCS

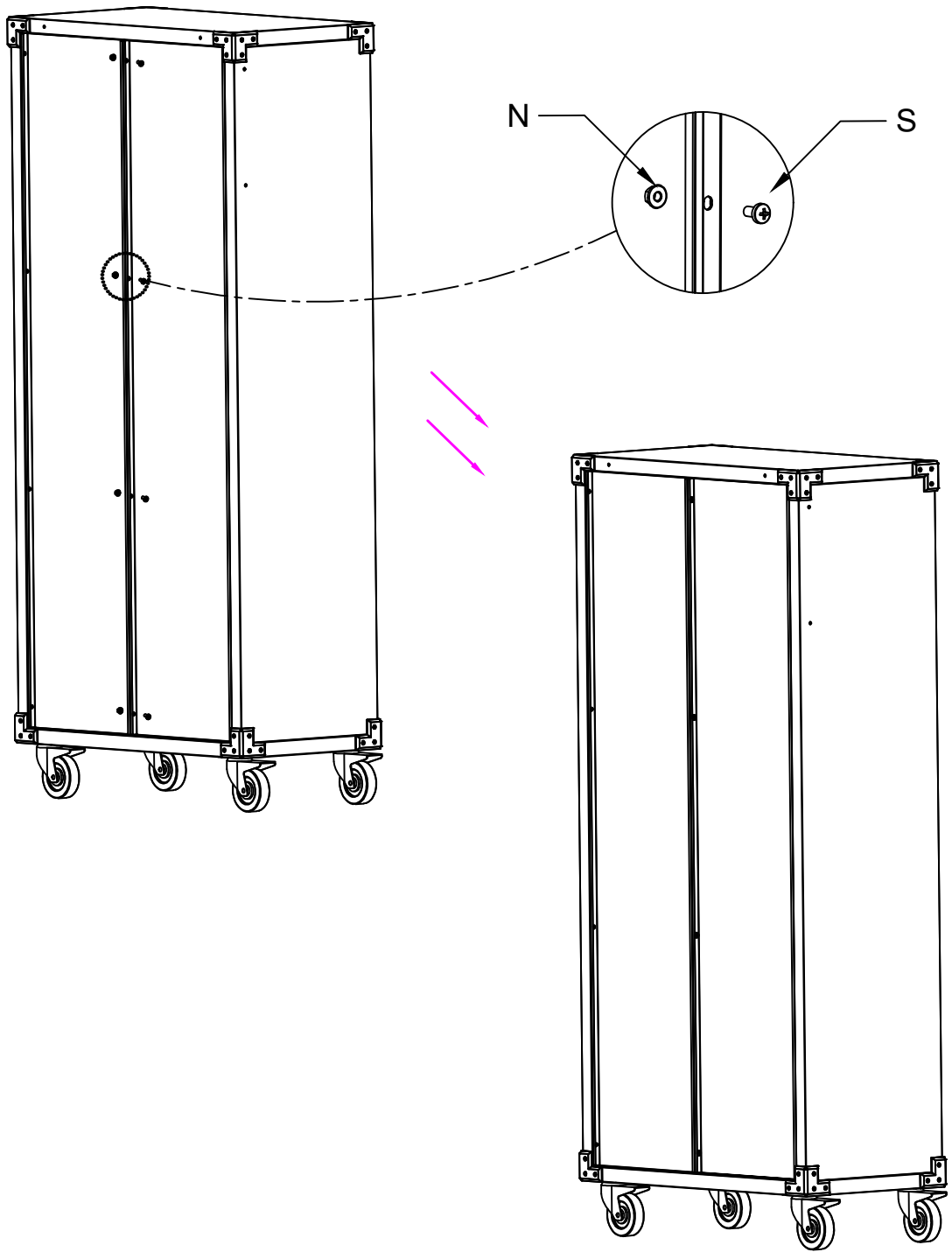
Install the back panels (E) on the side panel with screws T



# Step 7

Connect the back panels (E) with screws S and N

<b>S</b>		4PCS
<b>N</b>		4PCS



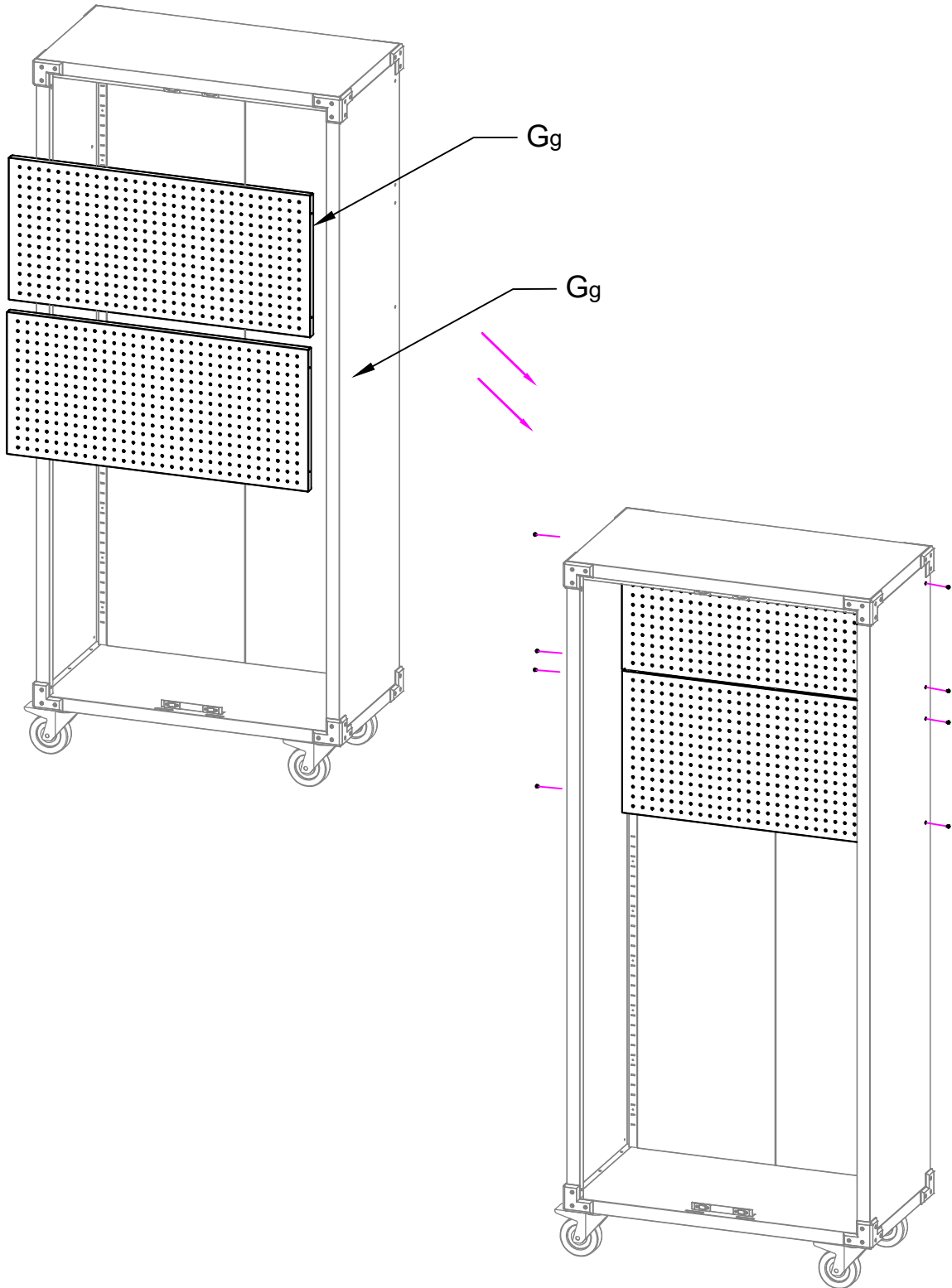
# Step 8

T



8PCS

Install the peg board (G<sub>g</sub>) to the side panels with screws T



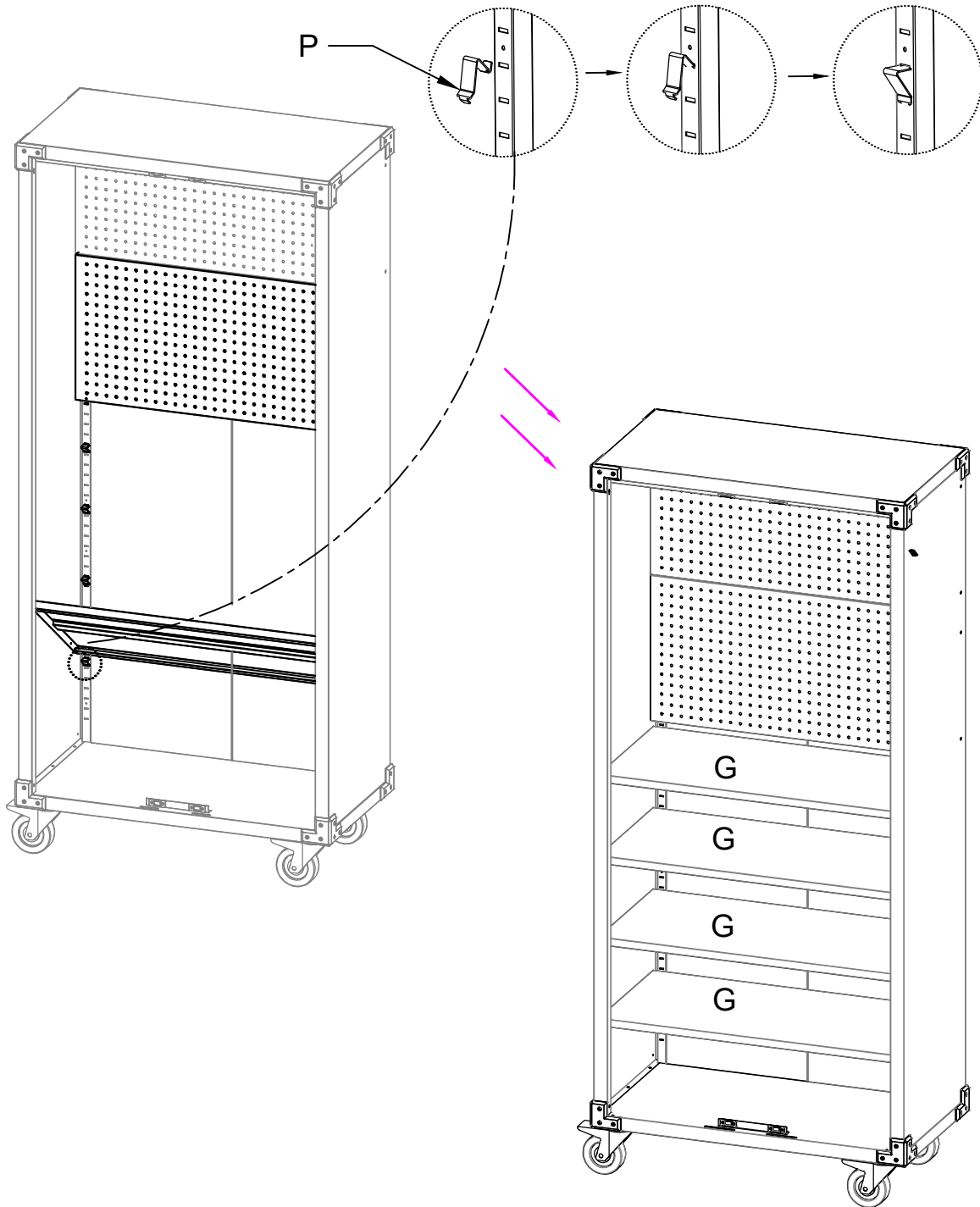
# Step 9

P



16PCS

Hang shelf clasps (P) and put the shelves (G) on them

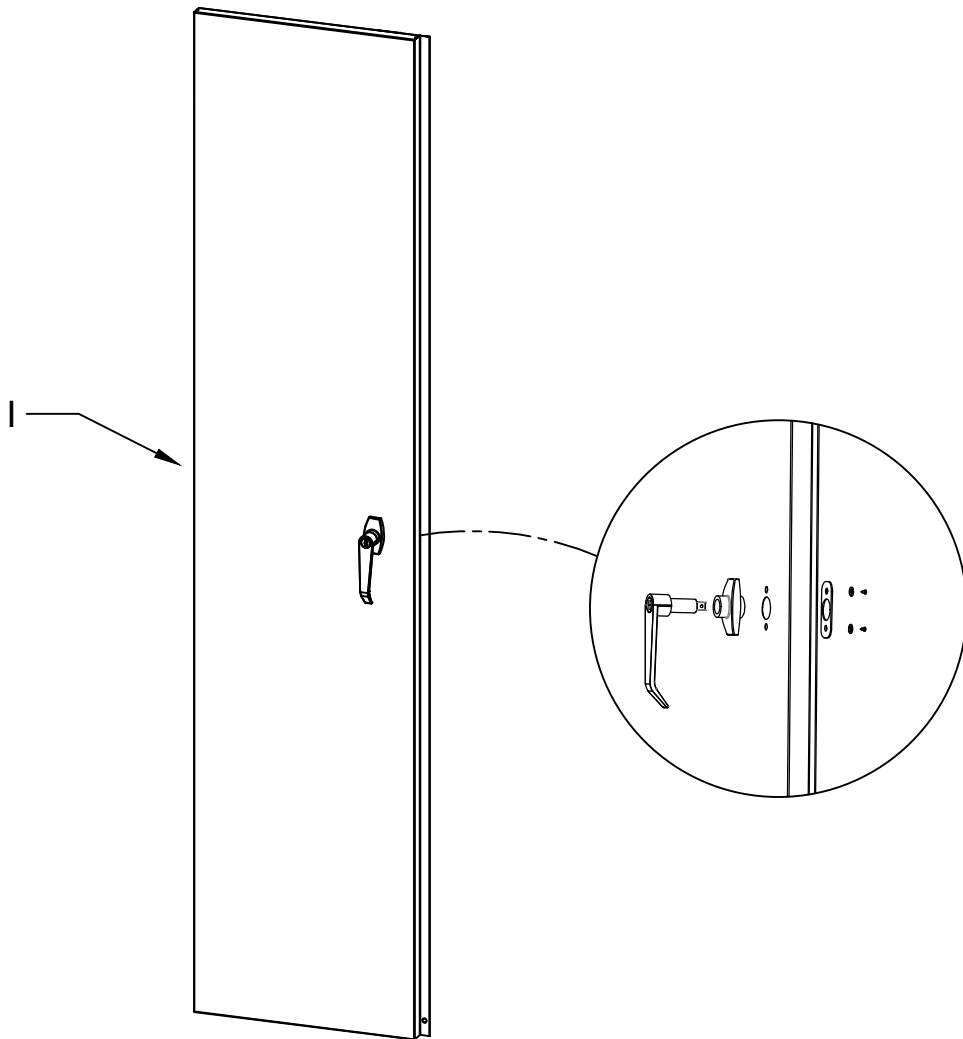


# Step 10

Q<sub>1</sub>

1PC

Install handle (Q<sub>1</sub>) to left door (I)



# Step 11

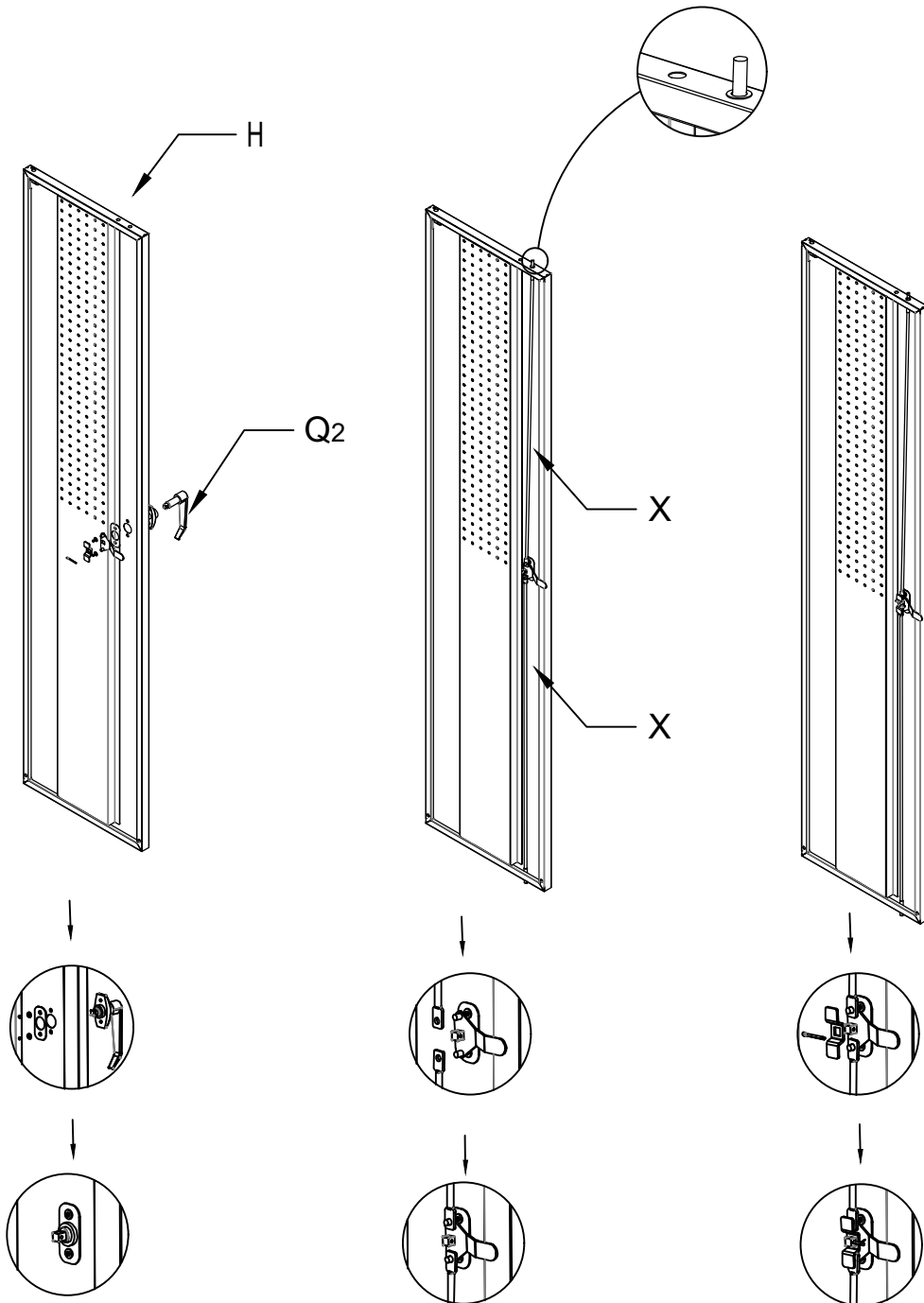
Q<sub>2</sub>

1PC

X

2PCS

Install lock handle (Q<sub>2</sub>) to right door (H) and install lock rods (X)



## Step 12

U



2PCS

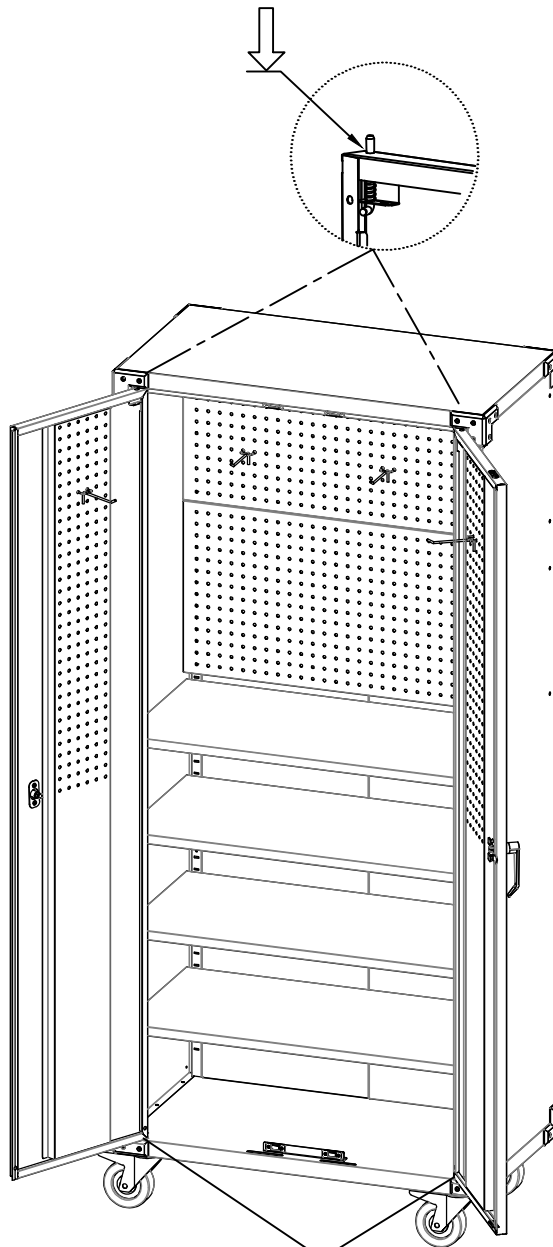
Connect the door panels (H and I) to the cabinet with the door pivots (U), and hang the pegboard hooks (W)

W

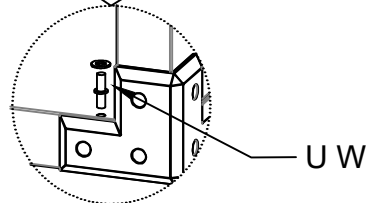


4PCS

Attach the hooks (J)

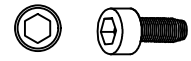


Shims are used to ensure the door work well, you can use 0 or 1 or 2 of them



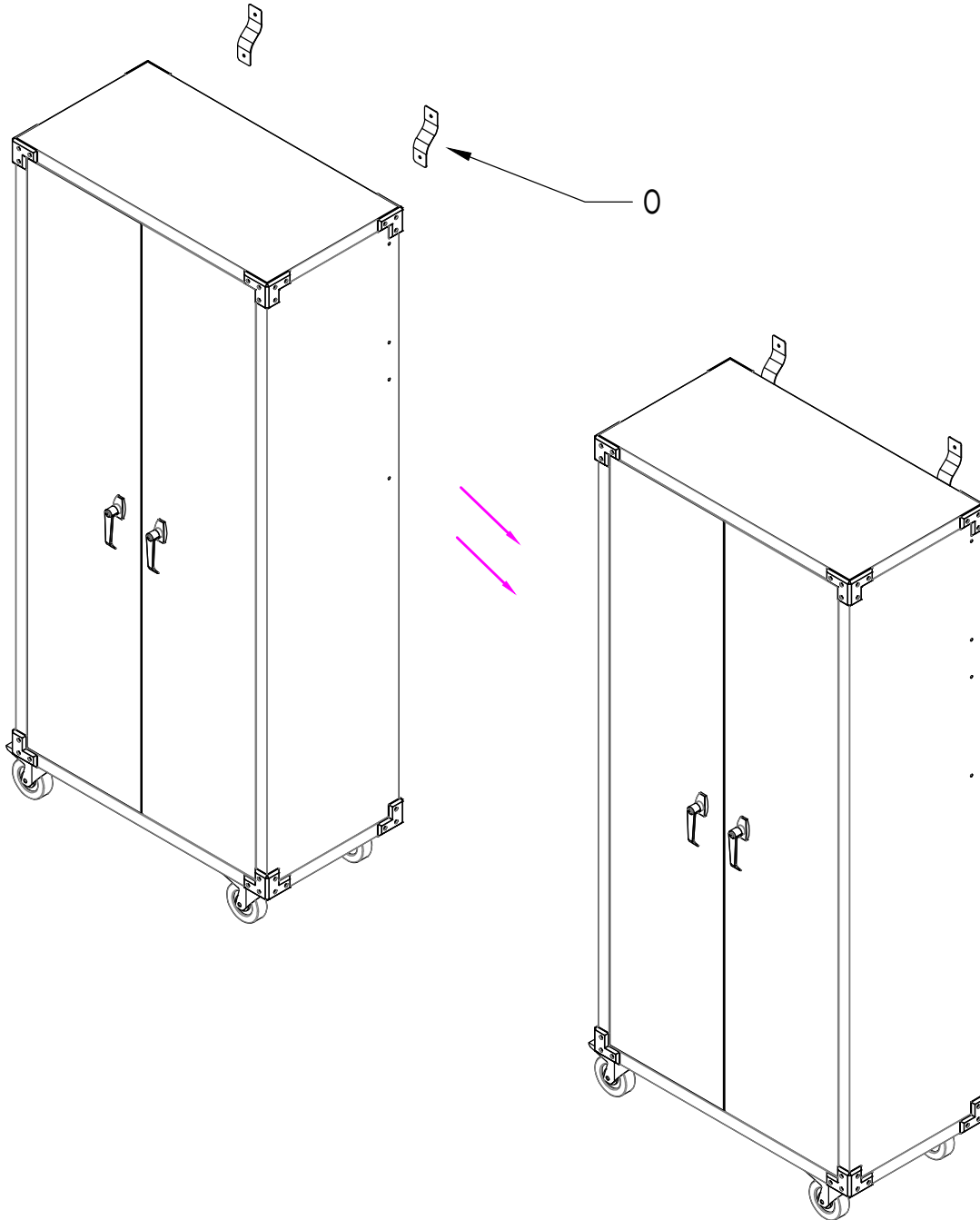
# Step 13

R



2PCS

Install anti-tipping straps (O) on the back of the cabinet with screws R

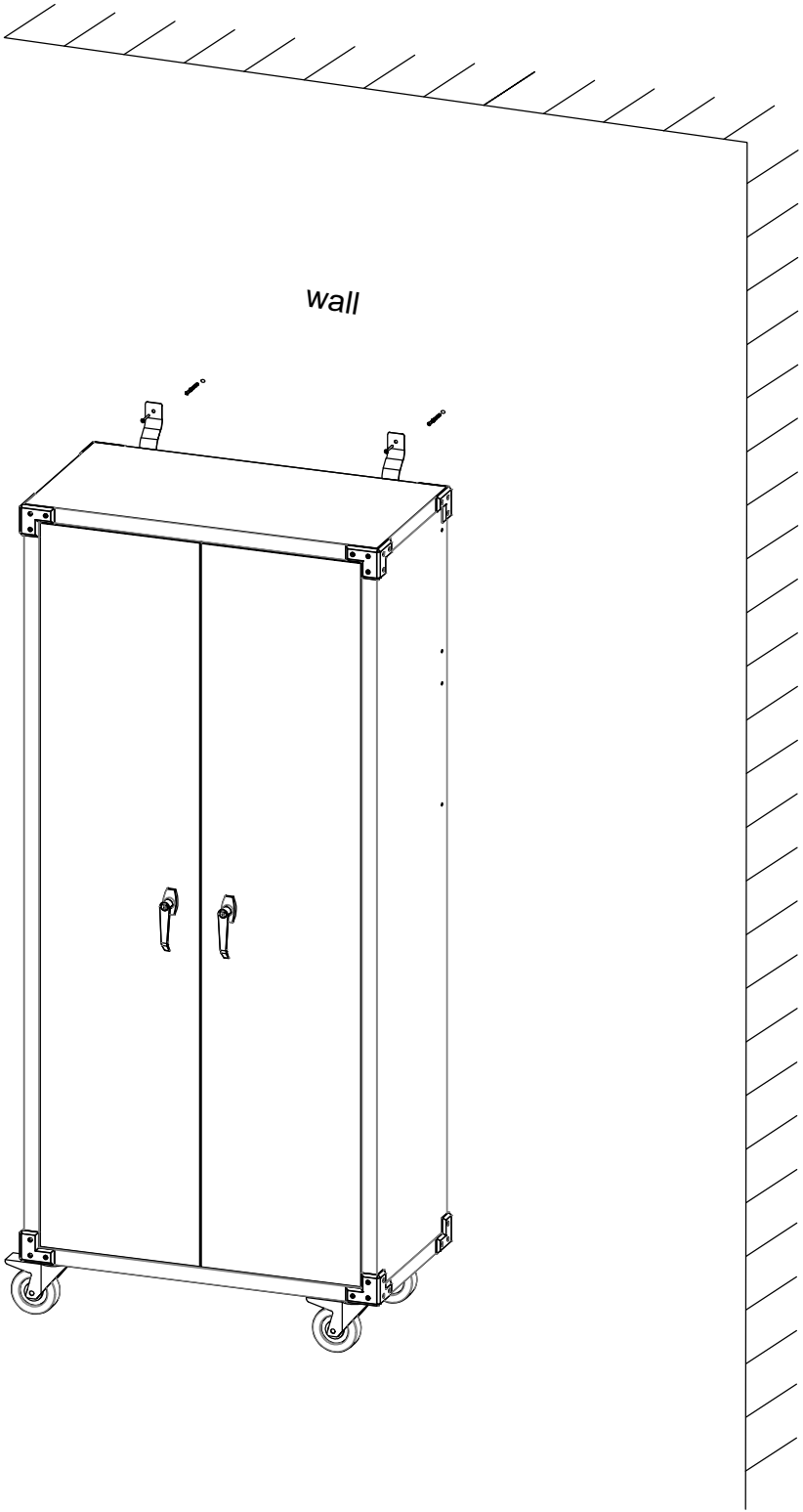


Step 14

V



2PCS





**Model: SA-TC-S05**

**Company Name: Garvee Innovation Inc**

**Company Address: 4215 E Airport Dr Ontario, CA, USA**

**Support Email: [support@garvee.com](mailto:support@garvee.com)**

**Made in China**