

ASSEMBLY INSTRUCTIONS

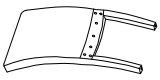


ITEM NO. FB3061CHY2-SC-4PK



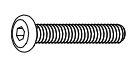
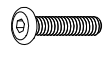




ASSEMBLY TIPS:

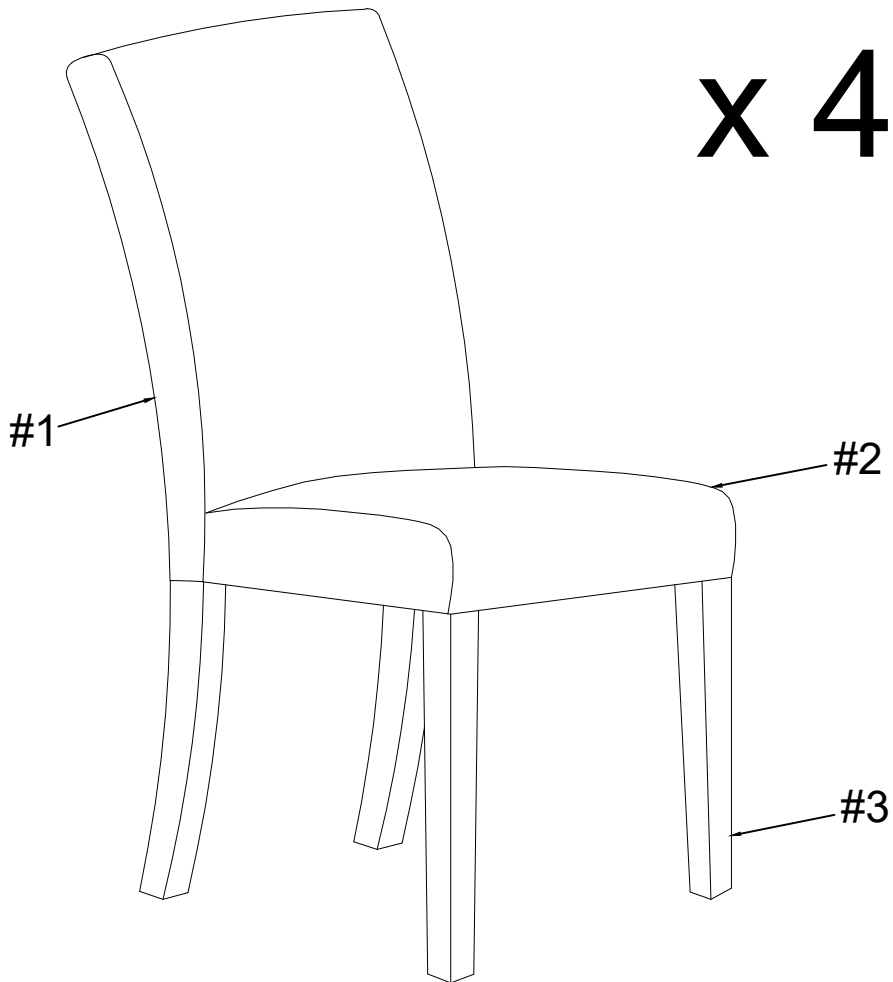
1. Remove hardware from box and sort by size.
2. Please check to see that all hardware and parts are present prior to start of assembly.
3. Please follow attached instructions in the same sequence as numbered to assure fast & easy assembly.

Part List

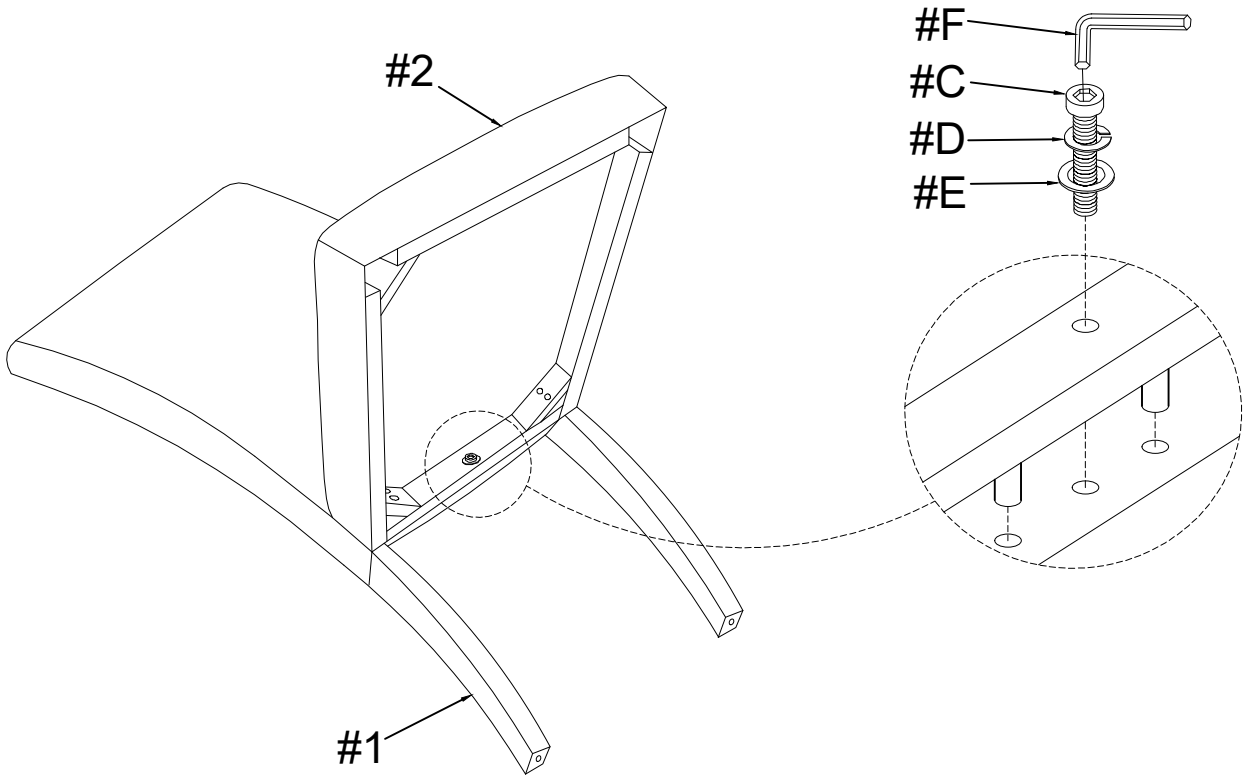
NO.	DIAGRAM	PART NAME	Q'ty
#1		Back frame with cushion	1pc x4
#2		Seat frame with cushion	1pc x4
#3		Front Legs	2pcs x4

Hardware List

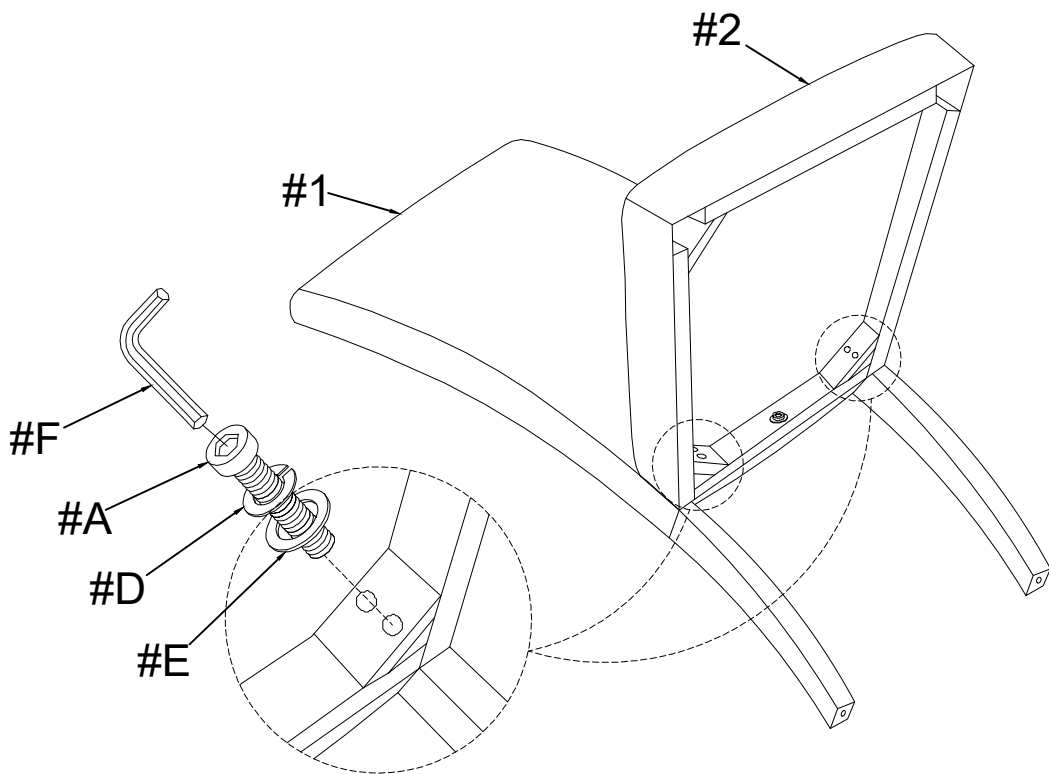
NO.	DIAGRAM	PART NAME	Q'ty
#A		Bolt 5/16" x 3-1/2"	4pcs x4
#B		Bolt 5/16" x 2-1/4"	4pcs x4
#C		Bolt 5/16" x 1-3/4"	1pc x4
#D		Spring washer Ø5/16"	9pcs x4
#E		Flat washer Ø5/16"	9pcs x4
#F		Allen key M5	1pc x4



STEP 1

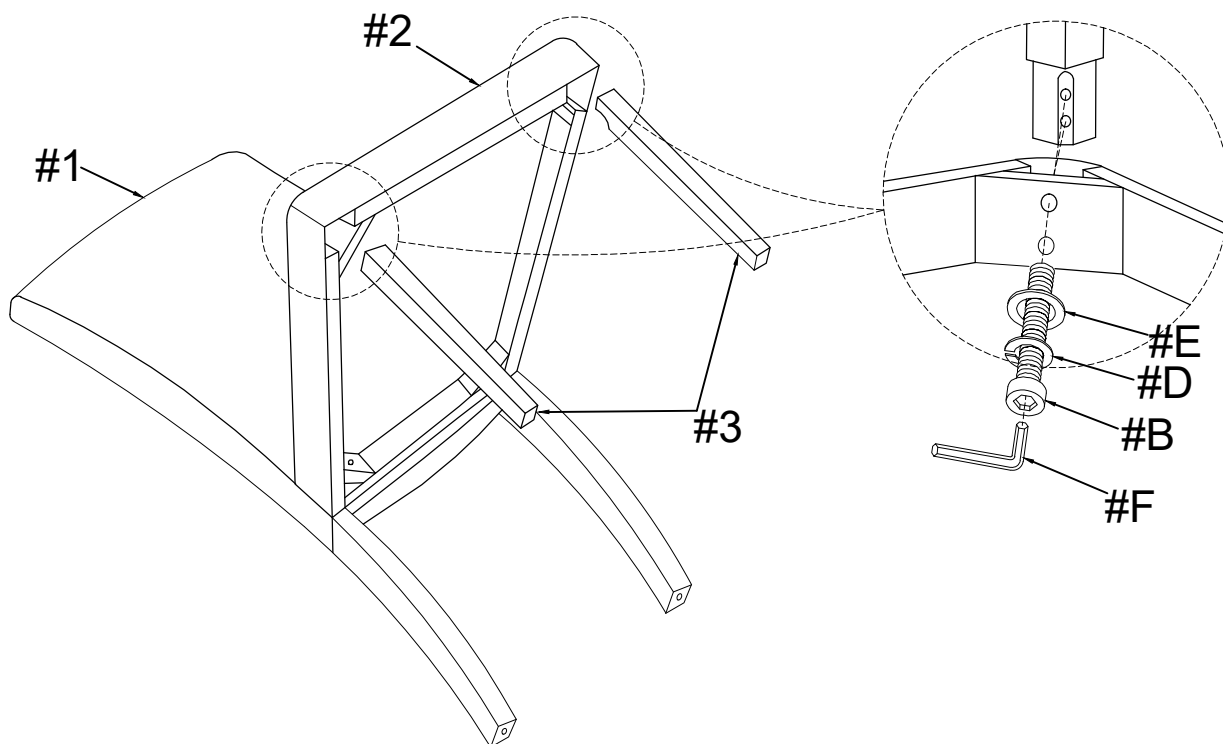


STEP 2



Do not tighten screws until completely assembled.

STEP 3



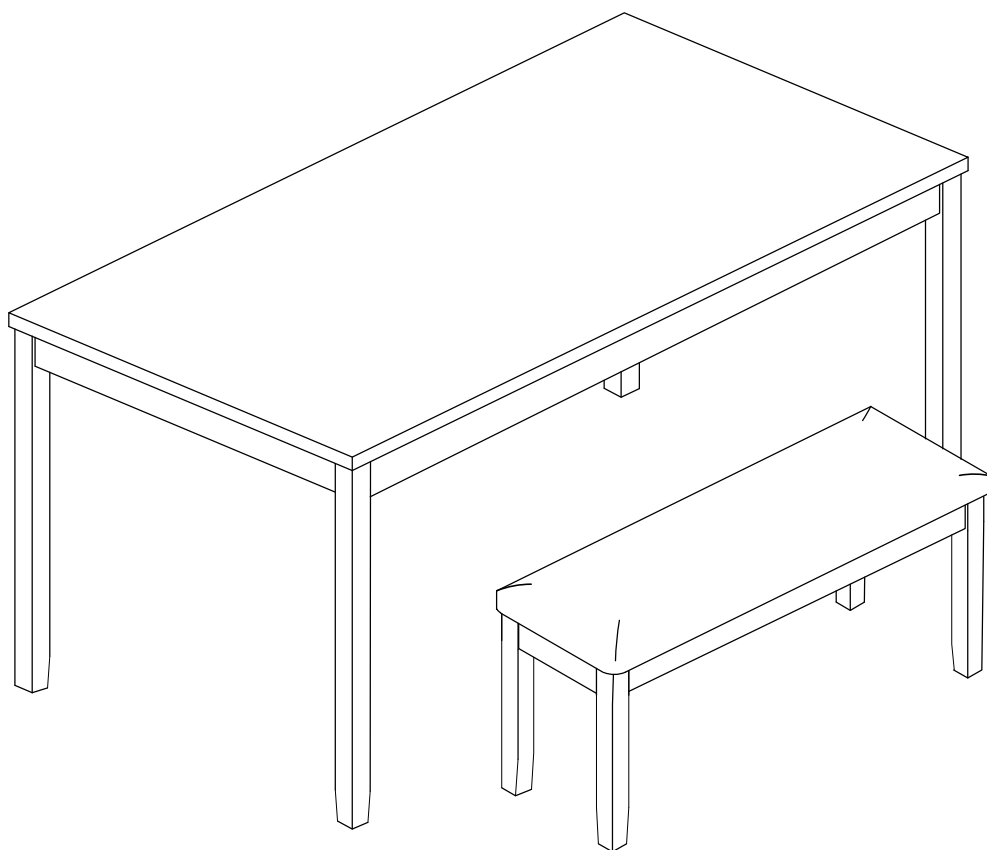
STEP 4



Tighten all screws until completely assembled.

ASSEMBLY INSTRUCTIONS




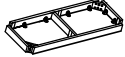

ITEM NO. FB3061CHY2-TBE












ASSEMBLY TIPS:

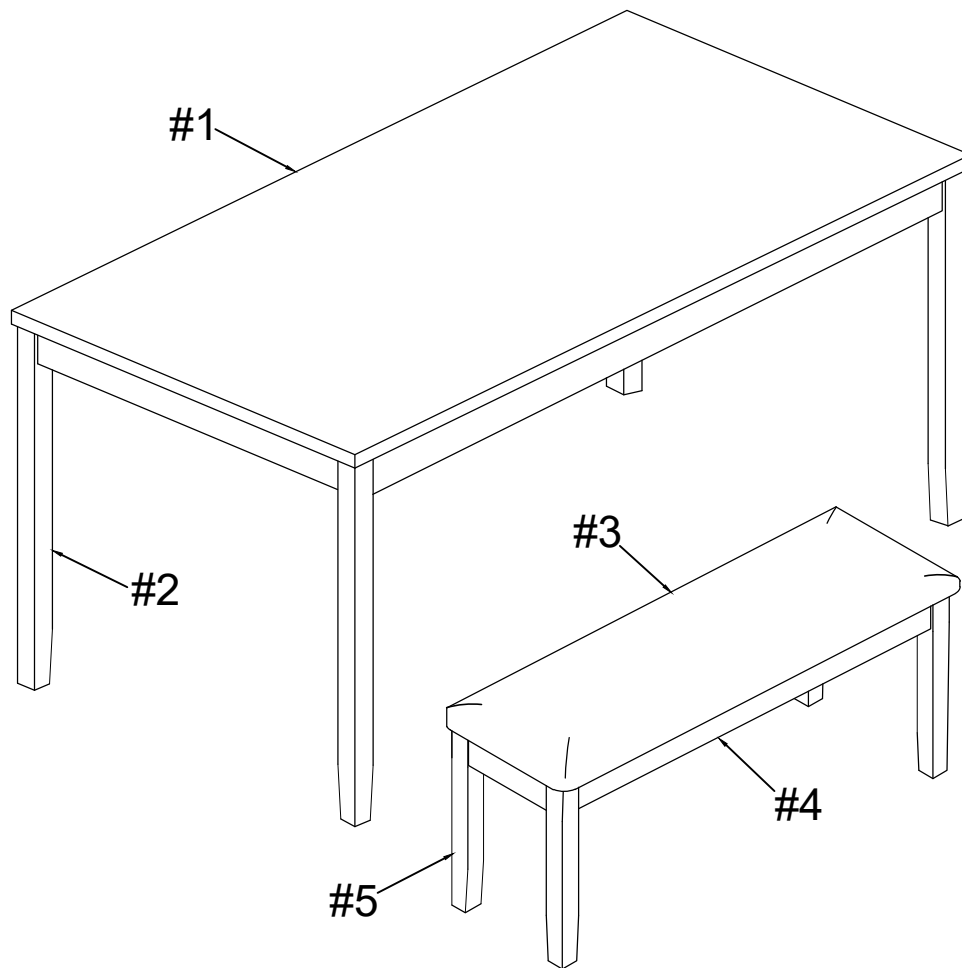
1. Remove hardware from box and sort by size.
2. Please check to see that all hardware and parts are present prior to start of assembly.
3. Please follow attached instructions in the same sequence as numbered to assure fast & easy assembly.

Part List

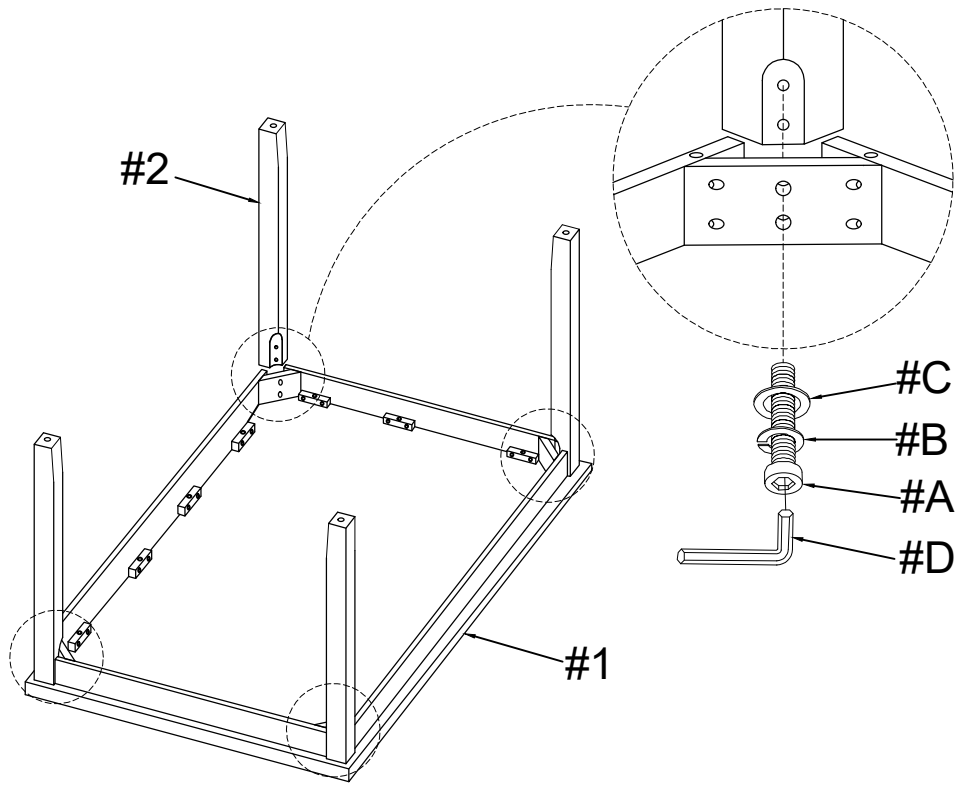
NO.	DIAGRAM	PART NAME	Q'ty
#1		Table Top	1 pc
#2		Table Legs	4 pcs
#3		Bench Seat Cushion	1 pc
#4		Bench Seat Frame	1 pc
#5		Bench legs	4 pcs

Hardware List

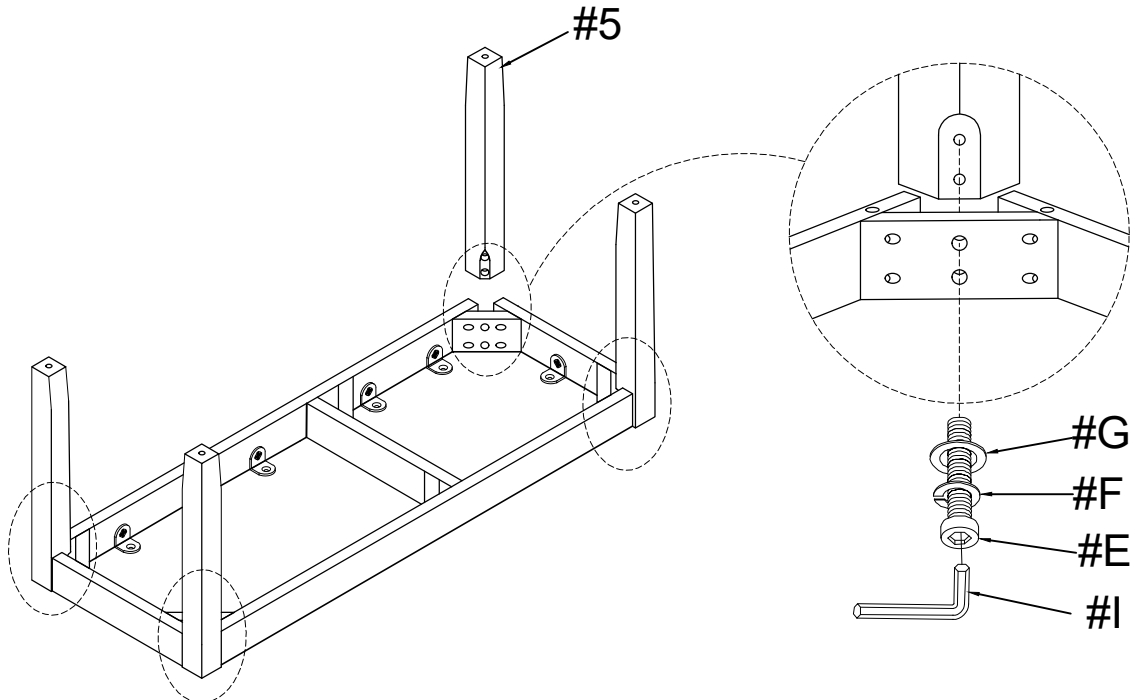
NO.	DIAGRAM	PART NAME	Q'ty
#A		Bolt 5/16" x 2-1/4"	8 pcs
#B		Spring washer Ø5/16"	8 pcs
#C		Flat washer Ø5/16"	8 pcs
#D		Allen key M5	1 pc
#E		Bolt 5/16" x 2-1/4"	8 pcs
#F		Spring washer Ø5/16"	8 pcs
#G		Flat washer Ø5/16"	8 pcs
#H		Screw #4 x 15mm	10 pcs
#I		Allen key M5	1 pc



STEP 1

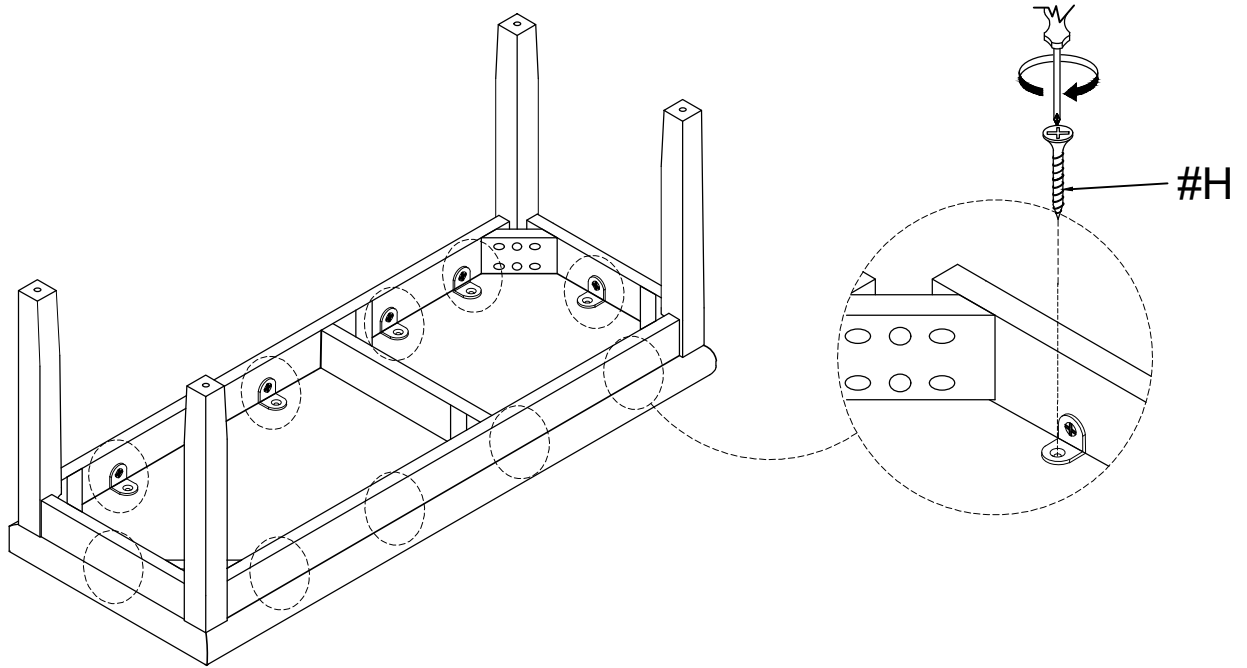


STEP 2

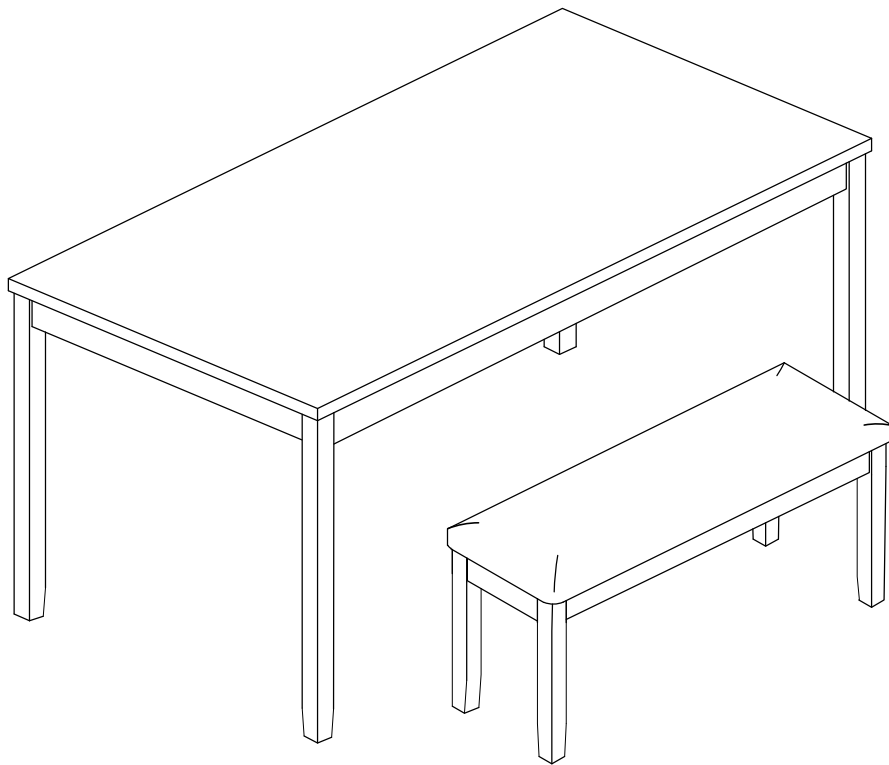


Do not tighten screws until completely assembled.

STEP 3



STEP 4



Tighten all screws until completely assembled.