

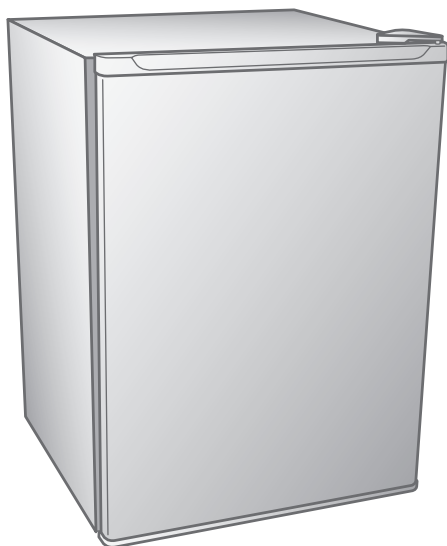
Haier

Installation and User Manual
Manuel d'installation et d'utilisation
Manual de instalación y del usuario
HRC2731AC

Compact Refrigerator

Réfrigérateur compact

Refrigerador compacto



Part # 0570000773 REV A

TABLE OF CONTENTS

REFRIGERATOR SAFETY	2
PARTS AND FEATURES	5
INSTALLATION REQUIREMENTS	6
Location Requirements	6
Electrical Requirements	7
REFRIGERATOR INSTALLATION	8
Step 1 - Unpack Refrigerator	8
Step 2 - Door Reversing	9
Step 3 - Align Door	10
Step 4 - Level Refrigerator	11
Step 5 - Complete the Installation	11
REFRIGERATOR USE	12
Control	12
Refrigerator Compartment	13
Freezer Compartment.....	13
REFRIGERATOR CARE	14
Cleaning	14
Defrosting and Draining	15
Vacation and Moving	16
Reinstalling/Using Refrigerator Again	17
TROUBLESHOOTING	18
LIMITED WARRANTY	20

RECORD KEEPING

Thank you for purchasing this Haier product. This user manual will help you get the best performance from your new refrigerator.

For future reference, record the model number, serial number, and the date of purchase. The model/serial number plate is located on a label inside the refrigerator.

Staple your proof of purchase to this manual to aid in obtaining warranty service if needed.

Model number

Serial number

Date of purchase

REFRIGERATOR SAFETY

Your safety and the safety of others are very important.

We have provided many important safety messages in this manual and on your appliance. Always read and obey all safety messages.



This is the safety alert symbol.

This symbol alerts you to potential hazards that can kill or hurt you and others. All safety messages will follow the safety alert symbol and either the word "DANGER," "WARNING" or "CAUTION."

These words mean:

⚠ DANGER

An imminently hazardous situation. You could be killed or seriously injured if you don't immediately follow instructions.

⚠ WARNING

A potentially hazardous situation which, if not avoided, could result in death or serious bodily injury.

⚠ CAUTION

A potentially hazardous situation which, if not avoided, may result in moderate or minor injury.

All safety messages will tell you what the potential hazard is, tell you how to reduce the chance of injury, and tell you what can happen if the instructions are not followed.

IMPORTANT SAFETY INSTRUCTIONS

WARNING: To reduce the risk of fire, electrical shock, injury to persons, or damage when using the refrigerator, follow basic precautions, including the following:

- Use this appliance only for its intended purpose as described in this user manual.
- This refrigerator must be properly installed in accordance with the installation instructions before it is used. See grounding instructions in the installation section.
- Flammable refrigerant used. Do not use mechanical devices to defrost freezer. Do not puncture refrigerant tubing.
- Flammable refrigerant used. To be repaired only by trained service personnel. Do not puncture refrigerant tubing.
- Flammable refrigerant used. Dispose of properly in accordance with federal or local regulations.
- Flammable refrigerant used. Follow handling instructions carefully. Risk of fire or explosion due to puncture of refrigerant tubing.
- Plug into a grounded 3 prong outlet.
- Do not remove ground prong.
- Do not use an adapter.
- Do not use an extension cord.
- Do not repair or replace any part of the appliance unless specifically recommended in the manual. All other servicing should be referred to a qualified technician.
- Disconnect power before servicing.
- Replace all parts and panels before operating.
- Use nonflammable cleaner.
- Keep flammable materials and vapors, such as gasoline, away from refrigerator.
- Cabinet edges along stamp/cutout areas may be sharp. Avoid placing hands, fingers or other appendages near these areas.
- This refrigerator should not be recessed or built-in an enclosed cabinet. It is designed for freestanding installation only.
- Before discarding or removing from service, remove the door. This will reduce the possibility of danger to children.

READ AND SAVE THESE INSTRUCTIONS

State of California Proposition 65 Warnings:

WARNING: This product contains one or more chemicals known to the State of California to cause cancer.

WARNING: This product contains one or more chemicals known to the State of California to cause birth defects or other reproductive harm.

PROPER DISPOSAL OF YOUR OLD REFRIGERATED APPLIANCE

WARNING

Suffocation Hazard

Remove doors or lid from your old freezer or refrigerator.

Failure to do so can result in death or brain damage.

IMPORTANT: Child entrapment and suffocation are not problems of the past. A junked or abandoned freezers or refrigerators are still dangerous – even if it will sit for “just a few days.” If you are getting rid of your old refrigerator or freezer, please follow these instructions to help prevent accidents.

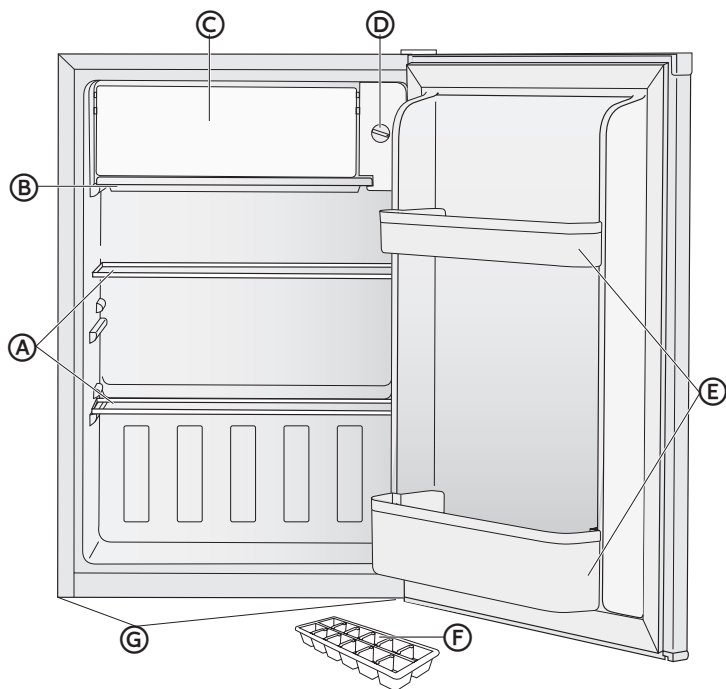
Before You Throw Away Your Old Freezer or Refrigerator:

- Remove the doors or lid.
- Leave any shelves in place so that children may not easily climb inside.

Important information to know about disposal of refrigerants:

Dispose of freezer in accordance with Federal and Local regulations. Refrigerants must be evacuated by a licensed, EPA certified refrigerant technician in accordance with established procedures.

PARTS AND FEATURES



A Full-width Glass Shelves (2)

B Drip Tray

C Freezer Compartment

D Adjustable Temperature Control

E Full-width Door Storage Bins (2)

F Ice Cube Tray

G Leveling Legs (2)

INSTALLATION REQUIREMENTS

LOCATION REQUIREMENTS

! WARNING



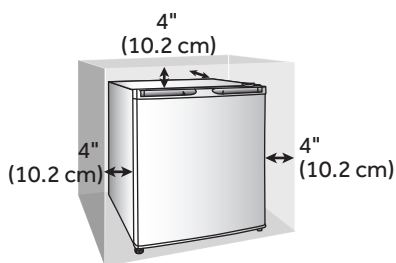
Explosion and Fire Hazard

Keep flammable materials and vapors, such as gasoline, away from appliance.

Failure to do so can result in death, explosion or fire.

IMPORTANT: This appliance is designed for freestanding installation only. It should not be recessed or built-in an enclosed cabinet. To ensure your refrigerator works at optimum efficiency, you should install it in a location where there is proper air circulation, and electrical connections.

Recommended Clearances:



- Your refrigerator is designed for use in a location where the temperature ranges from a minimum of 55°F (13°C) to a maximum of 110°F (43°C).
- It is recommended that you do not install the refrigerator in direct sunlight or near a heat source e.g. radiators, baseboard heaters, cooking appliances etc.
- Place the refrigerator on a floor strong enough to support it fully loaded.

ELECTRICAL REQUIREMENTS

⚠ WARNING



Electrical Shock Hazard

Plug into a grounded 3 prong outlet.

Do not remove the ground prong from the power cord plug.

Do not use an adapter.

Do not use an extension cord.

Failure to do so can result in death, fire or electrical shock.

Before you move your refrigerator to a location, it is important to make sure you have the proper electrical connection.

Recommended Grounding Method

A 115 Volt, 60 Hz., AC only, 15-amp fused, grounded electrical supply is required. It is recommended that a separate circuit serving only your refrigerator be provided. Use an outlet that cannot be turned off by a switch. Do not use an extension cord.

REFRIGERATOR INSTALLATION

STEP 1 - UNPACK REFRIGERATOR

WARNING



Fire or Explosion Hazard

Do not puncture refrigerant tubing.

Follow handling instructions carefully.

Flammable refrigerant used.

Failure to do so can result in death, explosion or fire.

IMPORTANT: Handle with care when moving to avoid either damaging the refrigerant tubing or increasing the risk of a leak.

IMPORTANT: When moving, never tilt the refrigerator more than a 45° angle. This could damage the compressor and the sealed system. If the refrigerator has been placed in a horizontal position for any period of time, wait 24 hours before plugging in the refrigerator to allow the refrigerant to settle.

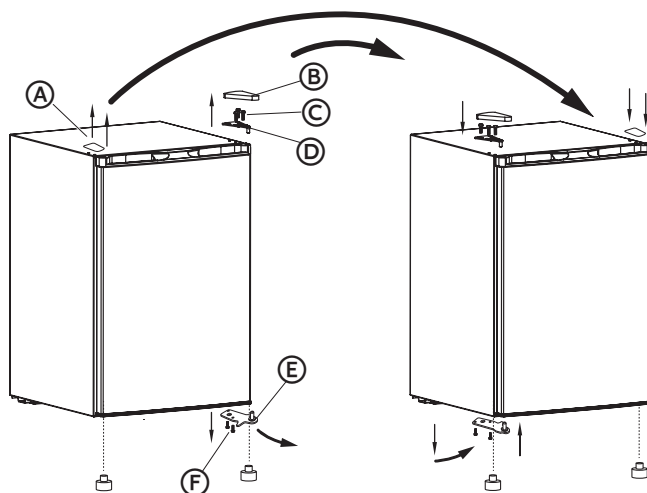
1. Remove and dispose of/recycle all packing materials. This includes the foam base and all adhesive tape. Remove all protective packaging covering the product.
2. Clean the exterior surface with a soft cloth.
3. Remove user manual and other printed material before turning on the refrigerator.
4. Clean the inside of your refrigerator before using it. See the cleaning instructions in "Refrigerator Care."

Important information to know about glass shelves and covers:

Do not clean glass shelves or covers with warm water when they are cold. Shelves and covers may break if exposed to sudden temperature changes or impact, such as bumping. Tempered glass is designed to shatter into many small, pebble-size pieces. This is normal. Glass shelves and covers are heavy. Use both hands when removing them to avoid dropping.

STEP 2 - DOOR REVERSING (OPTIONAL)

If you want the refrigerator door to open from the opposite side, you can reverse the door swing.



(A) Hole Plugs

(B) Cover

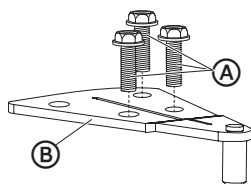
(C) Top Hinge Screws

(D) Top Hinge

(E) Bottom Hinge

(F) Bottom Hinge Screws

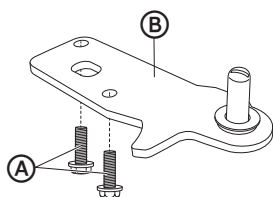
1. Remove any loose items in the refrigerator, and then gently lay the refrigerator on its back.
2. Using a flat-blade screwdriver, gently insert the blade under the top hinge cover and pry up to remove.
3. Using a Phillips-head screwdriver, remove the three screws from the top hinge.



(A) Top Hinge Screws

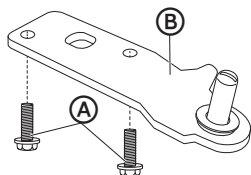
(B) Top Hinge

4. Remove top hinge, and then lift the door off of the bottom hinge.
5. Remove the hole plugs from the cabinet top, move them to the opposite side, and then insert the plugs into holes created by removing the hinge screws.
6. Remove the two front leveling legs.
7. Remove the two screws, and the hinge pin that are attaching the hinge bracket to the bottom of the refrigerator cabinet.



- (A) Bottom Hinge Screws
- (B) Bottom Hinge

8. Remove the bottom hinge bracket, turn the bracket upside down, and insert the hinge pin through the top of the bracket.

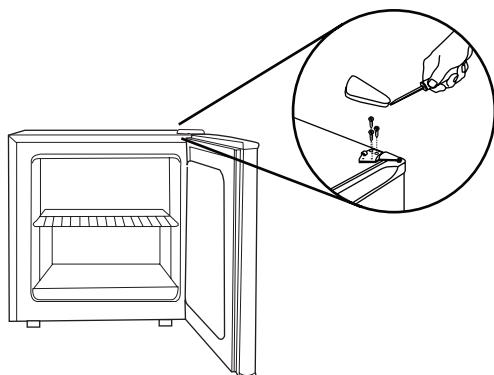


- (A) Bottom Hinge Screws
- (B) Bottom Hinge

9. Align the bottom hinge bracket with the hinge holes on the opposite side of the cabinet bottom, and fasten with the screws removed in Step 7.
10. Align the hole in the bottom edge of the door with the pin in the bottom hinge, and then lower the door onto the pin. Push down gently until the door is firmly seated on the bottom hinge.
11. Re-install both leveling legs.
12. Align the top hinge bracket with the hinge holes, insert screws and partially tighten. Make sure that door and cabinet are properly aligned and then tighten the top hinge screws completely.
13. Replace the top hinge cover by aligning the back of the cover with the back of the hinge. Press down firmly on the front of the cover until it snaps in place.

STEP 3 - ALIGN DOOR (IF NECESSARY)

1. Using a flat-blade screwdriver, gently insert the blade under the top hinge cover and pry up to remove.
2. Using a Phillips-head screwdriver, loosen the three top hinge screws.



- Adjust the door or put a spacer between the hinge and cabinet, and then tighten the screws.
- Replace the top hinge cover by aligning the back of the cover with the back of the hinge. Press down firmly on the front of the hinge cover until it snaps in place.

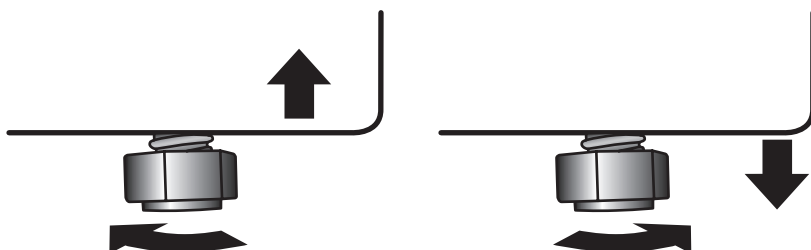
STEP 4 - LEVEL REFRIGERATOR

Your refrigerator has two leveling legs located in the front, bottom corners. After placing the refrigerator in its final position, level the refrigerator.

Adjust the Leveling Legs:

To Raise – Turn the leveling legs to the left.

To Lower – Turn the leveling legs to the right.



NOTE: The refrigerator door will close easier when leveling legs are extended.

STEP 5 - COMPLETE THE INSTALLATION

⚠ WARNING



Electrical Shock Hazard

- Plug into a grounded 3 prong outlet.
- Do not remove the ground prong from the power cord plug.
- Do not use an adapter.
- Do not use an extension cord.
- Failure to do so can result in death, fire or electrical shock.

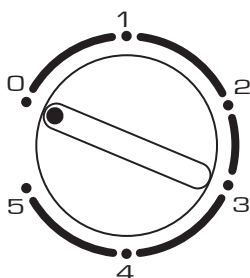
- Plug into a grounded 3 prong outlet.

REFRIGERATOR USE

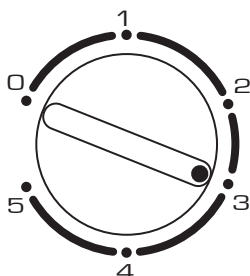
CONTROL

The control, located at the top right of the interior cabinet, is an adjustable dial with settings ranging from Least Cold (1) to Coldest (5), and "0".

NOTE: Turning the control knob to Off does not disconnect the refrigerator from the power supply.



1. Turn the temperature control dial to the recommended setting (3).



2. Allow the refrigerator to cool for several hours before adding food.

ADJUSTING THE TEMPERATURE

The recommended setting (3) is designed to maintain the temperature under normal operating conditions.

If you need to adjust the temperature, adjust the control dial to one of the adjacent settings (2 or 4).

NOTE: Except when starting the refrigerator, do not adjust the control more than one setting at a time. Wait 24 hours between adjustments for the temperature to stabilize.

REFRIGERATOR COMPARTMENT

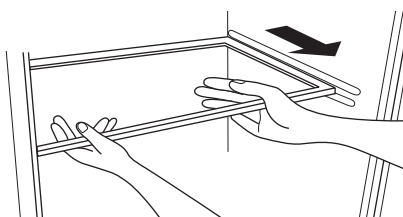
Important information to know about glass shelves and covers:

Do not clean glass shelves or covers with warm water when they are cold. Shelves and covers may break if exposed to sudden temperature changes or impact, such as bumping. Tempered glass is designed to shatter into many small, pebble-size pieces. This is normal. Glass shelves and covers are heavy. Use both hands when removing them to avoid dropping.

SHELVES

To Remove or Replace a Shelf:

- To Remove - Tilt the front of the shelf upward, and then slowly slide it forward.
- To Replace - Align the shelf with the supports and gently slide the shelf toward the rear.



FREEZER COMPARTMENT

The freezer compartment is designed for making ice cubes and for short-term food storage (a few days at most).

IMPORTANT: This compartment is not cold enough to store frozen foods safely for more than 5 days.

ICE CUBE TRAY

- If ice cube tray freezes to the bottom of the compartment, pour a little warm water around it to loosen it.

NOTE: Do not use boiling water, which can damage plastic parts, or sharp metal objects such as a knife or screwdriver, which can damage the cooling system tubing.

- Wash the ice cube tray in lukewarm water only. Do not wash in the dishwasher.

REFRIGERATOR CARE

CLEANING

WARNING



Explosion Hazard

Use nonflammable cleaner.

Failure to do so can result in death, explosion or fire.

IMPORTANT: Do not use harsh chemicals, ammonia, chlorine bleach, concentrated detergent, solvents, abrasives or metal scouring pads to clean your refrigerator inside or out. They can damage and/or discolor the refrigerator finish.

WARNING



Electrical Shock Hazard

Unplug your appliance or disconnect power before cleaning.

Failure to do so can result in death, electric shock or personal injury.

1. Unplug refrigerator or disconnect power.
2. Before using cleaning products, always read and follow manufacturer's instructions and warnings to avoid personal injury or product damage.
3. Wash interior surfaces, accessories, and outer frame with cold water and a little baking soda.
4. Dry thoroughly with a soft cloth.
5. Plug in or reconnect power.

DOOR GASKETS

Gaskets must be kept clean and pliable to assure a proper seal.

- Clean door gaskets every 3 months with solution of baking soda and warm water.
- Petroleum jelly applied lightly on the hinge side of gaskets will keep the gasket pliable and assure a good seal.

DEFROSTING AND DRAINING

DANGER



Fire or Explosion Hazard

Flammable refrigerant used.

Do not use mechanical devices to defrost freezer.

Do not puncture refrigerant tubing.

Failure to do so can result in death, explosion or fire.

For most efficient operation and minimum energy consumption, defrost whenever the frost becomes $\frac{1}{8}$ " (3.2 mm) thick.

IMPORTANT:

- Do not use mechanical devices to defrost freezer.
 - Do not use boiling water as it may damage the freezer.
1. Remove food and ice cube tray from the freezer, and place the drip tray under the compartment.
 2. Turn the temperature control to "0" and unplug the unit.

NOTE: Defrosting usually takes a few hours. To defrost faster keep the door open and place a bowl of warm water in the refrigerator.

3. When defrosting is complete, empty water from the drip tray, and then wash the drip tray in warm water and dry it thoroughly.
4. Wipe the interior of the freezer compartment with a soft cloth.

⚠ WARNING**Electrical Shock Hazard**

- Plug into a grounded 3 prong outlet.
- Do not remove the ground prong from the power cord plug.
- Do not use an adapter.
- Do not use an extension cord.
- Failure to do so can result in death, fire or electrical shock.

5. Plug into a grounded 3 prong outlet.
6. Reset the temperature control to your preferred setting.
7. Return the food into the refrigerator.

VACATION AND MOVING**⚠ WARNING****Fire or Explosion Hazard**

- Do not puncture refrigerant tubing.
- Follow handling instructions carefully.
- Flammable refrigerant used.
- Failure to do so can result in death, explosion or fire.

IMPORTANT:

- Handle with care when moving to avoid either damaging the refrigerant tubing or increasing the risk of a leak.
- When moving, never tilt the refrigerator more than a 45° angle. This could damage the compressor and the sealed system.

For long vacations or absences:

- Remove food from refrigerator.
- Turn the temperature control to "0".
- Clean the door gaskets. See "Cleaning."
- Prop open the doors to allow air to circulate inside.

REINSTALLING/USING REFRIGERATOR AGAIN

If the refrigerator has been placed in a horizontal or tilted position for any period of time wait 24 hours before plugging it in to allow the refrigerant to settle.

1. Clean refrigerator. See "Cleaning."
2. Place refrigerator in desired location and level. See "Installation Instructions."

⚠ WARNING**Electrical Shock Hazard**

Plug into a grounded 3 prong outlet.

Do not remove the ground prong from the power cord plug.

Do not use an adapter.

Do not use an extension cord.

Failure to do so can result in death, fire or electrical shock.

3. Plug into grounded 3 prong outlet.

TROUBLESHOOTING

First try the solutions suggested here to possibly avoid the cost of a service call.

PROBLEM	POSSIBLE CAUSE(S)	SOLUTION
Refrigerator does not run	The refrigerator is unplugged.	Plug refrigerator into a grounded 3 prong outlet.
	The circuit breaker is tripped or turned off / Fuse is blown.	Reset / Turn on circuit breaker or replace fuse
	The temperature control is in the "0" position.	Turn the temperature control to a setting between 1 and 5.
	The compressor has cycled off.	Wait 30 to 40 minutes to see whether the compressor will start.
Compressor runs too frequently	The temperature is hot and/or humid.	This may be normal to maintain constant temperature during high temperature and humid days.
	The door is ajar.	Completely close the door.
	The door gasket is not sealing properly.	Clean the door gasket. See "Cleaning."
	Frequent or prolonged door openings.	Limit door openings to maintain the internal temperature.
	The door is blocked open.	Rearrange or remove items that are blocking the door from closing completely.
Door does not close	Refrigerator is not level or door is not aligned.	Level refrigerator or align the door.
	The door is blocked open.	Rearrange or remove items that are blocking the door from closing completely.
Food temperature is too warm	The door is opened frequently.	Limit door openings.
	A large load of food was recently added.	Allow time for recently added warm food to cool.
	The door is not sealing properly.	Clean door gasket. See "Cleaning."
	The control is not set to a cold enough temperature.	Adjust the temperature control to a colder setting.

PROBLEM	POSSIBLE CAUSE(S)	SOLUTION
Food temperature is too cold.	The control is set to a too cold setting.	Adjust the temperature control to a less cold setting.
Refrigerator has an odor	The refrigerator needs cleaning.	Clean the refrigerator. See "Cleaning."
	Food is improperly wrapped or sealed and is giving off odor.	Wrap and seal food tightly before storing in the refrigerator.
Gurgling sound	Refrigerant circulating through the cooling coils.	This sound is normal.
Clicking	The temperature control cycling on and off.	This sound is normal.
Popping or Cracking sound when compressor comes on	The refrigerator is not level.	Level the refrigerator. See "Leveling." If the floor is uneven, you may need to place metal or wood shims under part of the refrigerator.
	The refrigerator is touching a wall.	Move the refrigerator away from the wall and re-level, if necessary.

FOR MORE HELP, VISIT HAIERAMERICA.COM OR CALL THE CONSUMER HELP LINE AT 1-877-337-3639.

LIMITED WARRANTY

CARRY-IN SERVICE

FULL ONE YEAR WARRANTY

**12 Months on Parts and Labor
(Carry-In only)**

**5 Years on Sealed System
(Carry-In only)**

For 12 months from the date of original retail purchase, Haier will repair or replace any part free of charge including labor that fails due to a defect in materials or workmanship.

Haier may replace or repair at their sole discretion any part, sub system including the entire product.

LIMITED WARRANTY

NOTE: This warranty commences on the date the item was purchased, and the original purchase receipt must be presented to the authorized service representative before warranty repairs are rendered.

Exceptions: Commercial Use Warranty

90 days labor from date of original purchase

90 days parts from date of original purchase

No other warranty applies.

FOR CARRY-IN WARRANTY SERVICE

All service must be performed by a Haier authorized service center. For the name and telephone number of the nearest authorized service center, please call 1-877-337-3639.

Before calling please have available the following information:

Model number and serial number of your appliance. The name and address of the dealer you purchased the unit from and the date of purchase.

A clear description of the problem.

A proof of purchase (sales receipt).

This warranty covers carry-in appliance services within the contiguous United States and Canada and where available in Alaska, Hawaii and Puerto Rico.

What is not covered by this warranty:

Replacement or repair of household fuses, circuit breakers, wiring or plumbing.

A product whose original serial number has been removed or altered.

Any service charges not specifically identified as normal such as normal service area or hours.

Damage incurred in shipping.

Damage caused by improper installation or maintenance.

Damage from misuse, abuse accident, fire, flood, or acts of nature.

Damage from service other than an authorized Haier dealer or service center.

Damage from incorrect electrical current, voltage or supply.

Damage resulting from any product modification, alteration or adjustment not authorized by Haier.

Adjustment of consumer operated controls as identified in the owner's manual.

All attachments, accessories and disposable parts.

Labor, service transportation, and shipping charges for the removal and replacement of defective parts beyond the initial 12-month period.

Damage from other than normal household use.

Any transportation and shipping charges.

THIS LIMITED WARRANTY IS GIVEN IN LIEU OF ALL OTHER WARRANTIES, EXPRESSED OR IMPLIED, INCLUDING BUT NOT LIMITED TO, THE WARRANTIES OF MERCHANTABILITY AND FITNESS FOR A PARTICULAR PURPOSE

The remedy provided in this warranty is exclusive and is granted in lieu of all other remedies.

This warranty does not cover incidental or consequential damages, so the above limitations may not apply to you. Some states do not allow limitations on how long an implied warranty lasts, so the above limitations may not apply to you.

This warranty gives you specific legal rights, and you may have other rights, which vary from state to state.

Haier America
Wayne, NJ 07470