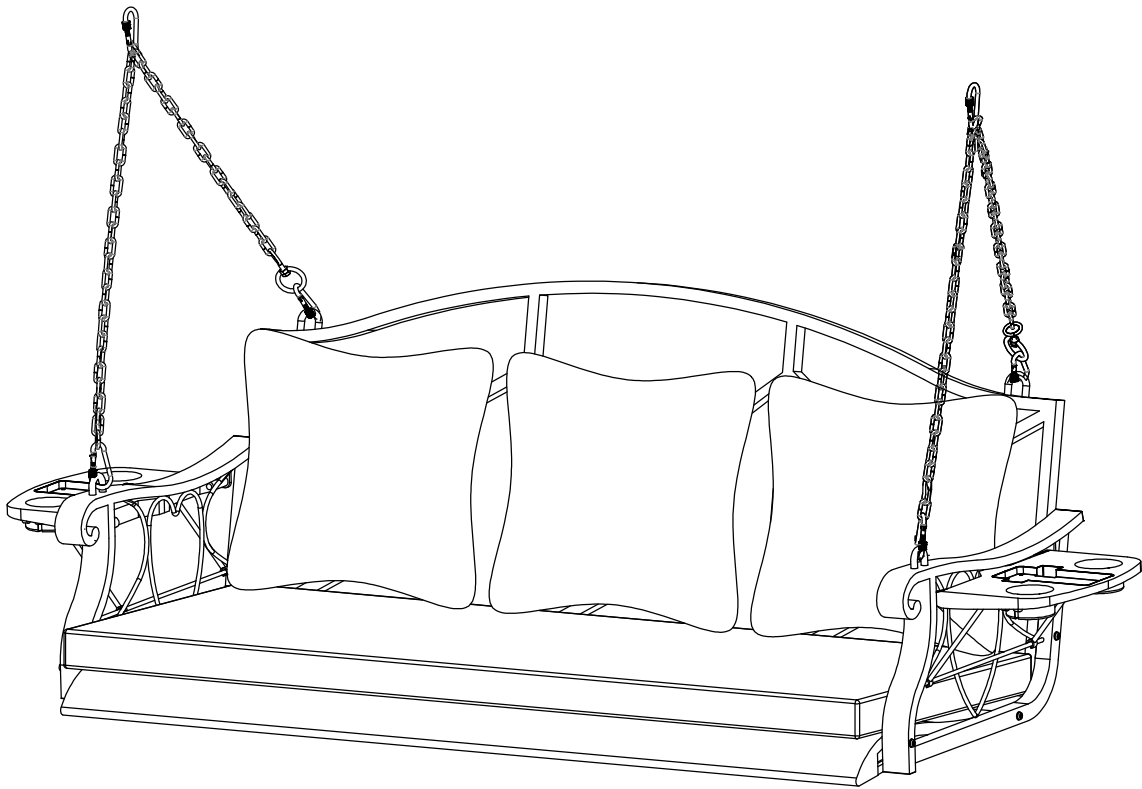


# PORCH SWING

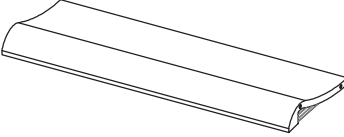
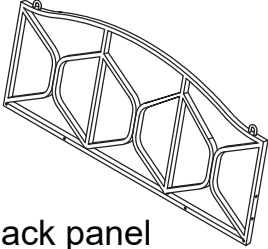
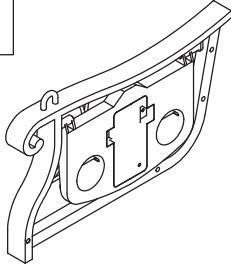
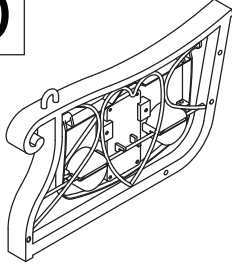
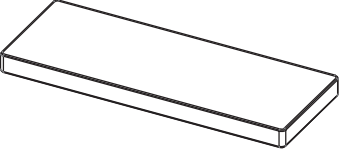
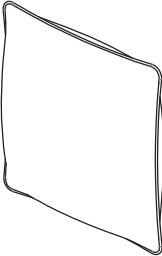
## ASSEMBLY INSTRUCTION



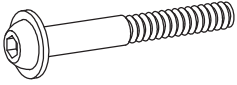
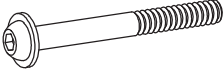

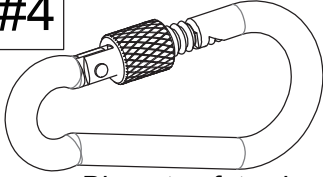
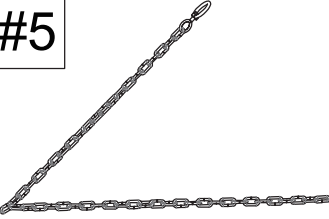
If you have any questions, feel free to email us  
at [service@denislawn.com](mailto:service@denislawn.com)

# Assembly Instruction

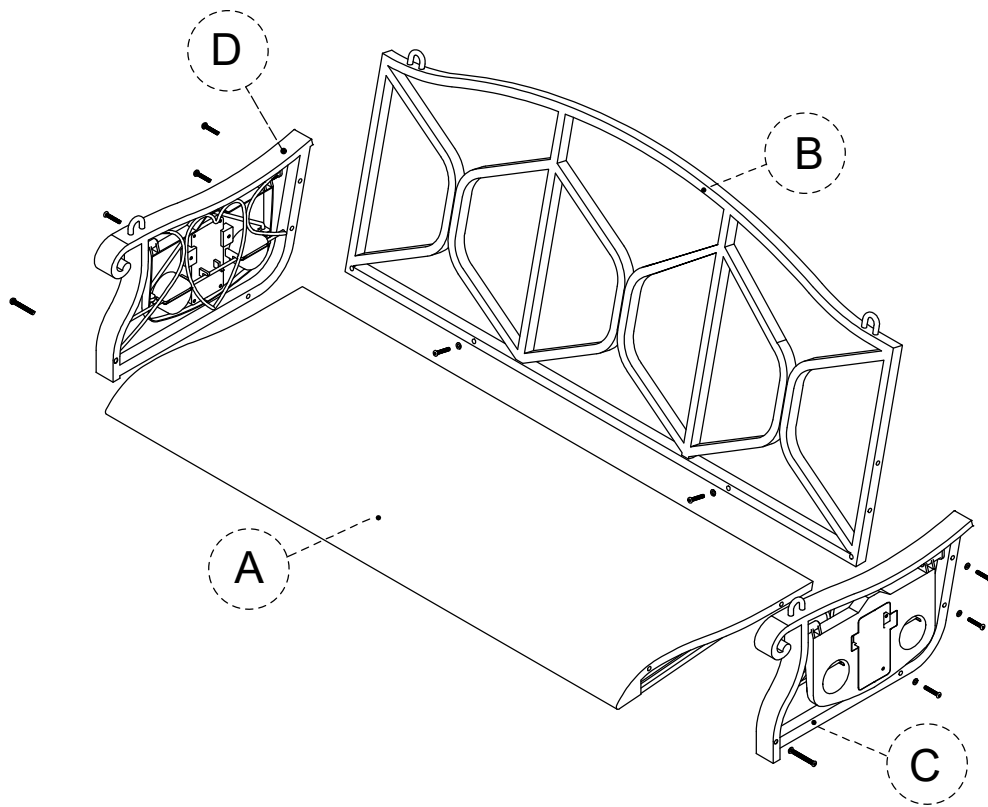
## Parts List

<p><b>A</b></p>  <p>Seat panel</p>	<p><b>B</b></p>  <p>Back panel</p>	<p><b>C</b></p>  <p>Left armrest</p>	<p><b>D</b></p>  <p>Right armrest</p>
<p>1 PC</p>	<p>1 PC</p>	<p>1 PC</p>	<p>1 PC</p>
<p><b>E</b></p>  <p>Seat cushion</p>	<p><b>F</b></p>  <p>Back cushion</p>		
<p>1 PC</p>	<p>3 PCS</p>		

## Hardwares List

<p><b>#1</b></p>  <p>Screw M6*40 (mm)</p>	<p><b>#2</b></p>  <p>Screw M6*55 (mm)</p>	<p><b>#3</b></p>  <p>Allen key 4# (mm)</p>	<p><b>#4</b></p>  <p>Big nut safety clasp</p>
<p>8 PCS</p>	<p>2 PCS</p>	<p>1 PC</p>	<p>6 PCS</p>
<p><b>#5</b></p>  <p>2 PCS</p>			

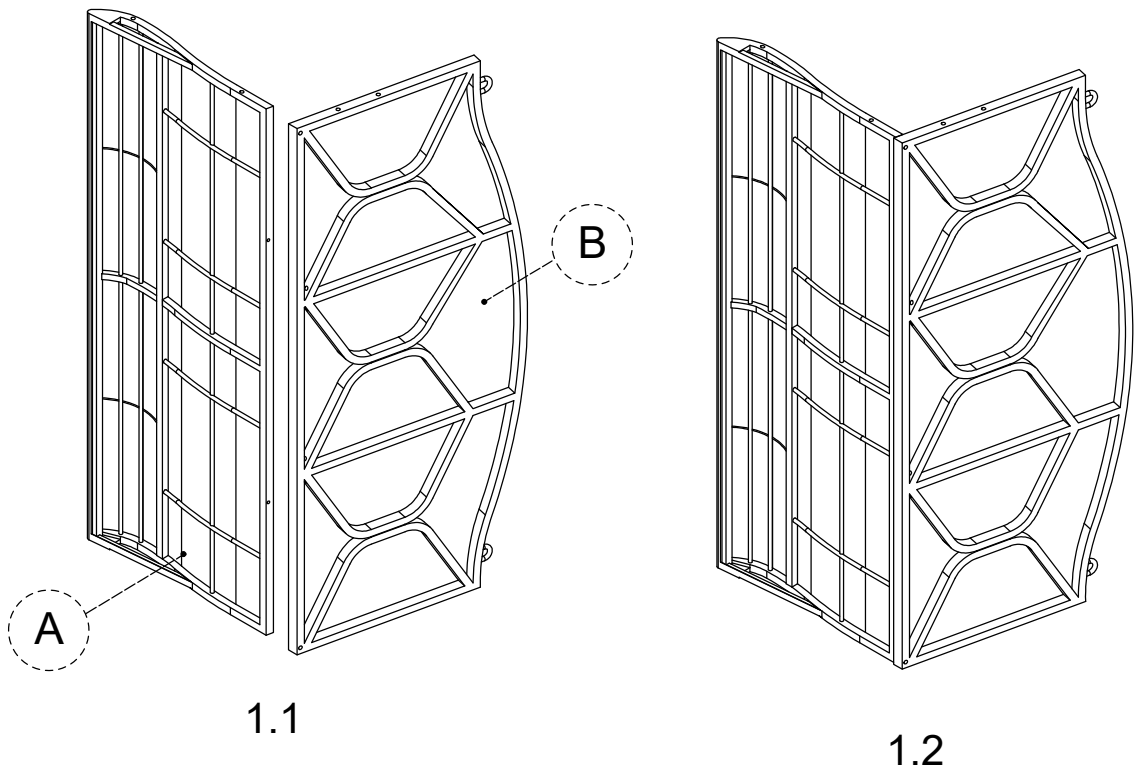
# Assembly Instruction - Porch swing



## STEP 1

A x1

B x1



Place A and B as shown in the figure;

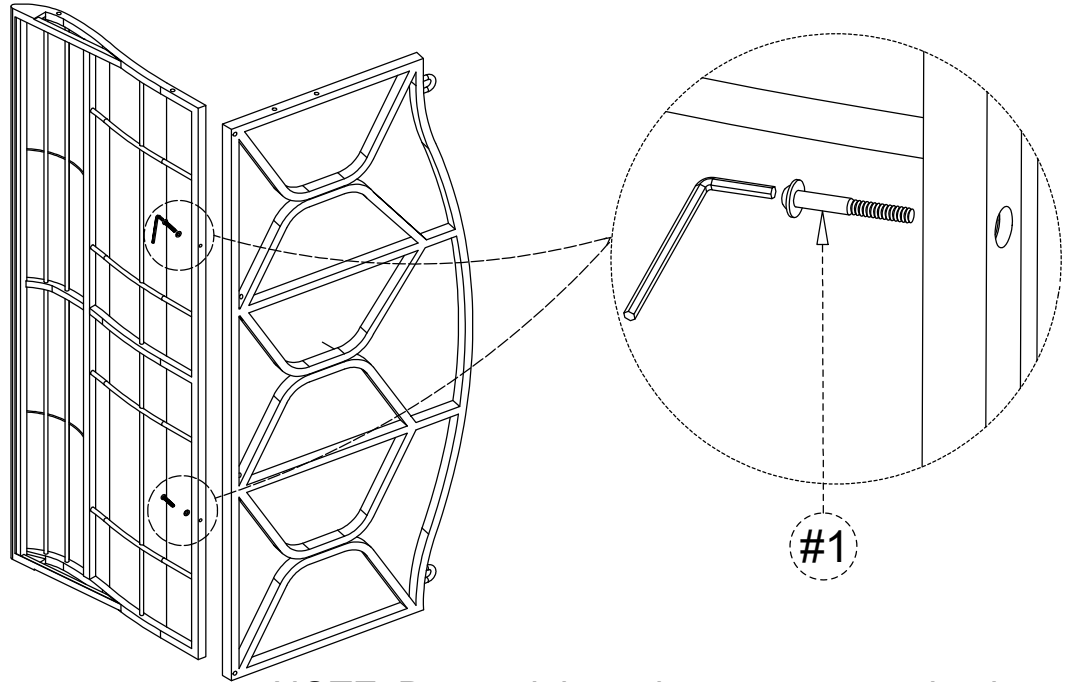
A

2

# Assembly Instruction - Porch swing

## STEP 2

#1 x2

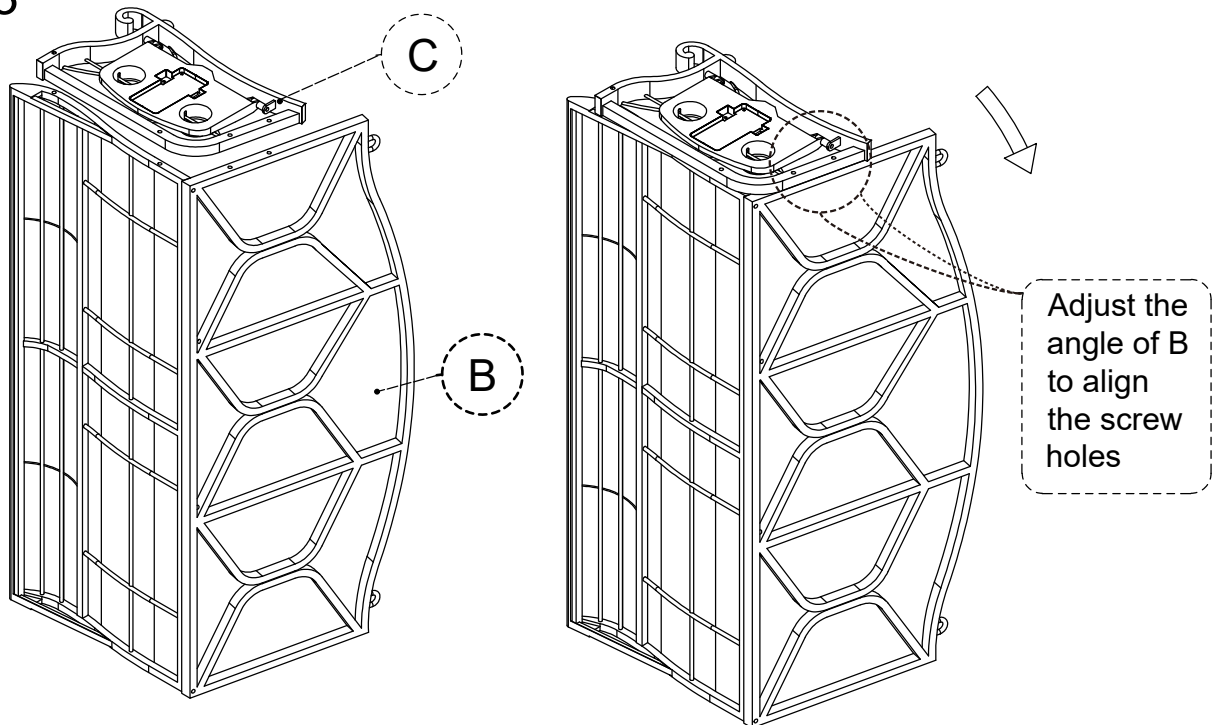


**NOTE** Do not tighten the screws completely. If fully tightened, it may cause difficulty in installing the step 3 of handrail assembly.

Assemble B with A using screw #1;

## STEP 3

C x1



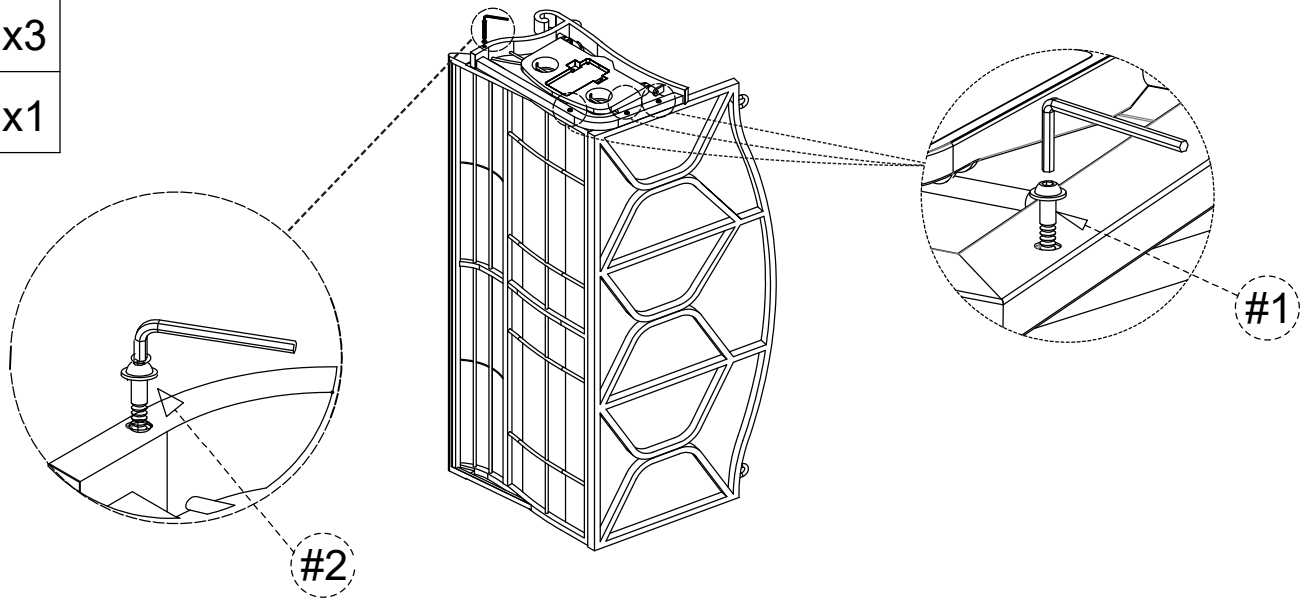
Place C as shown in the figure;

# Assembly Instruction - Porch swing

## STEP 4

#1 x3

#2 x1

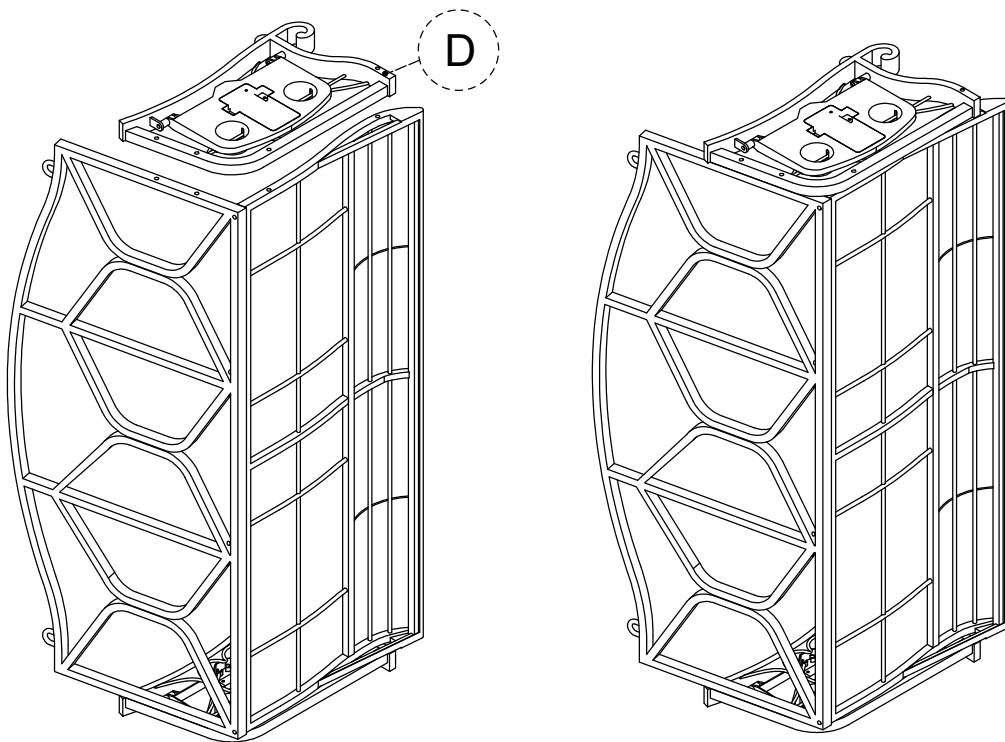


**DO NOT** tighten screws completely until assembly is completed;

Assemble C with A and B using screw #1, screw #2;

## STEP 5

D x1



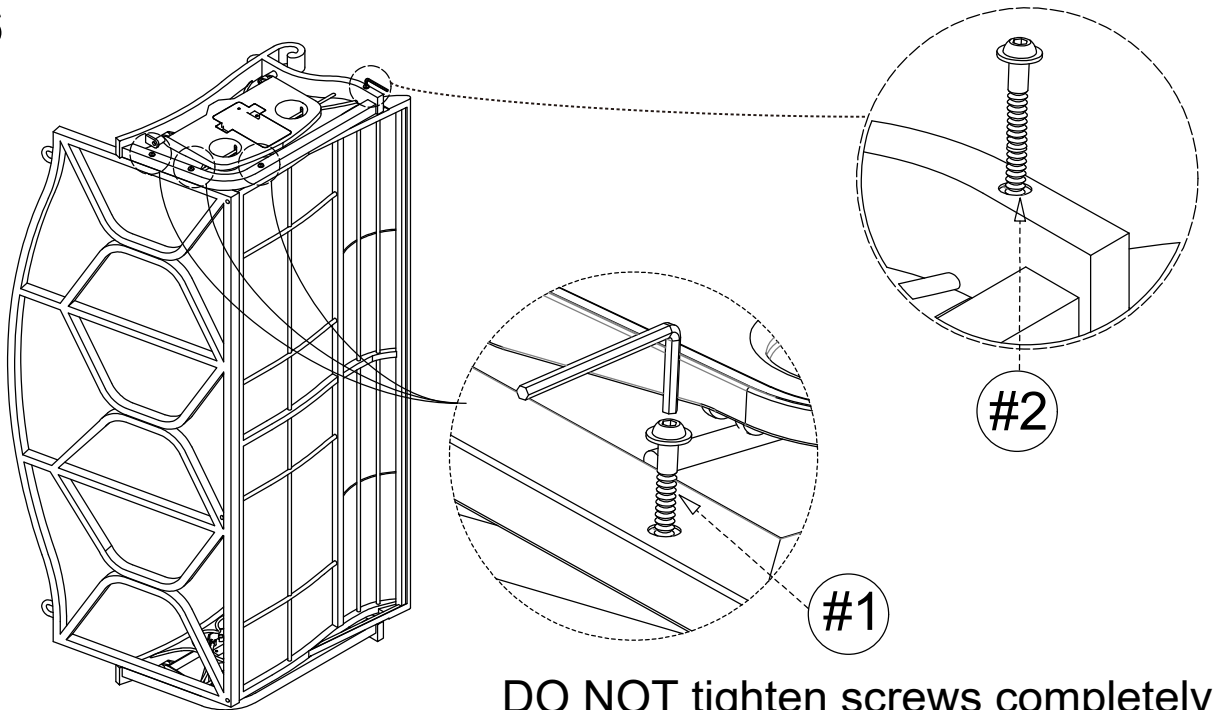
Place D on A and B;

# Assembly Instruction - Porch swing

## STEP 6

#1 x3

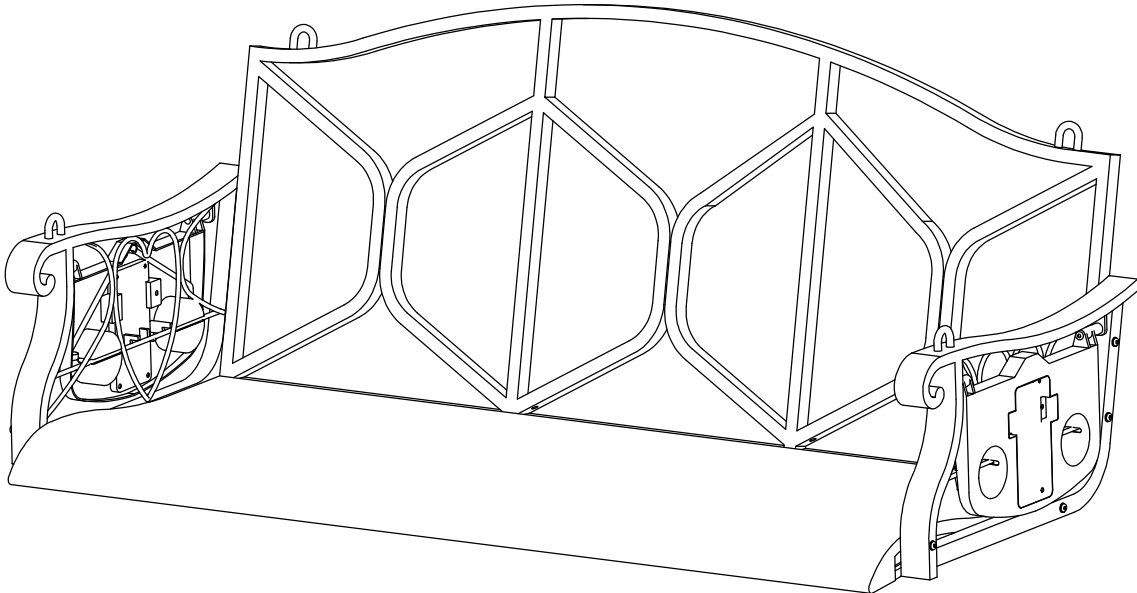
#2 x1



**DO NOT** tighten screws completely until assembly is completed;

Assemble D with A and B using screw #1, screw #2;

## STEP 7



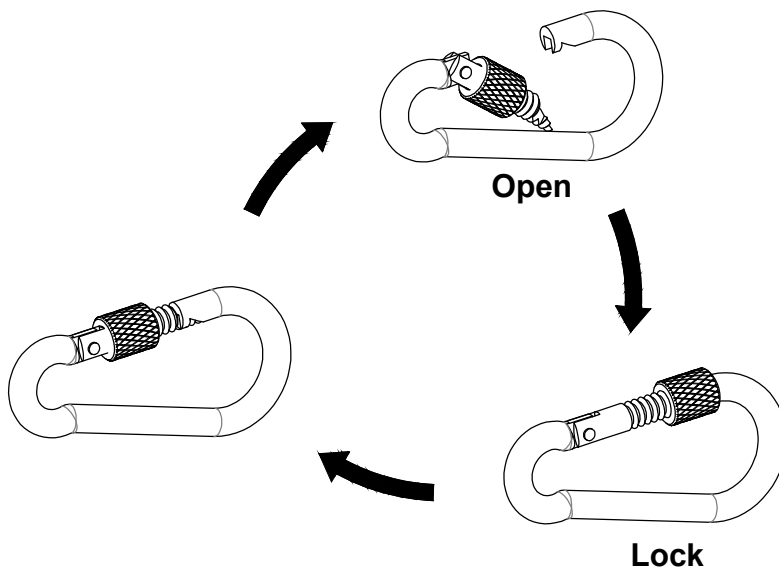
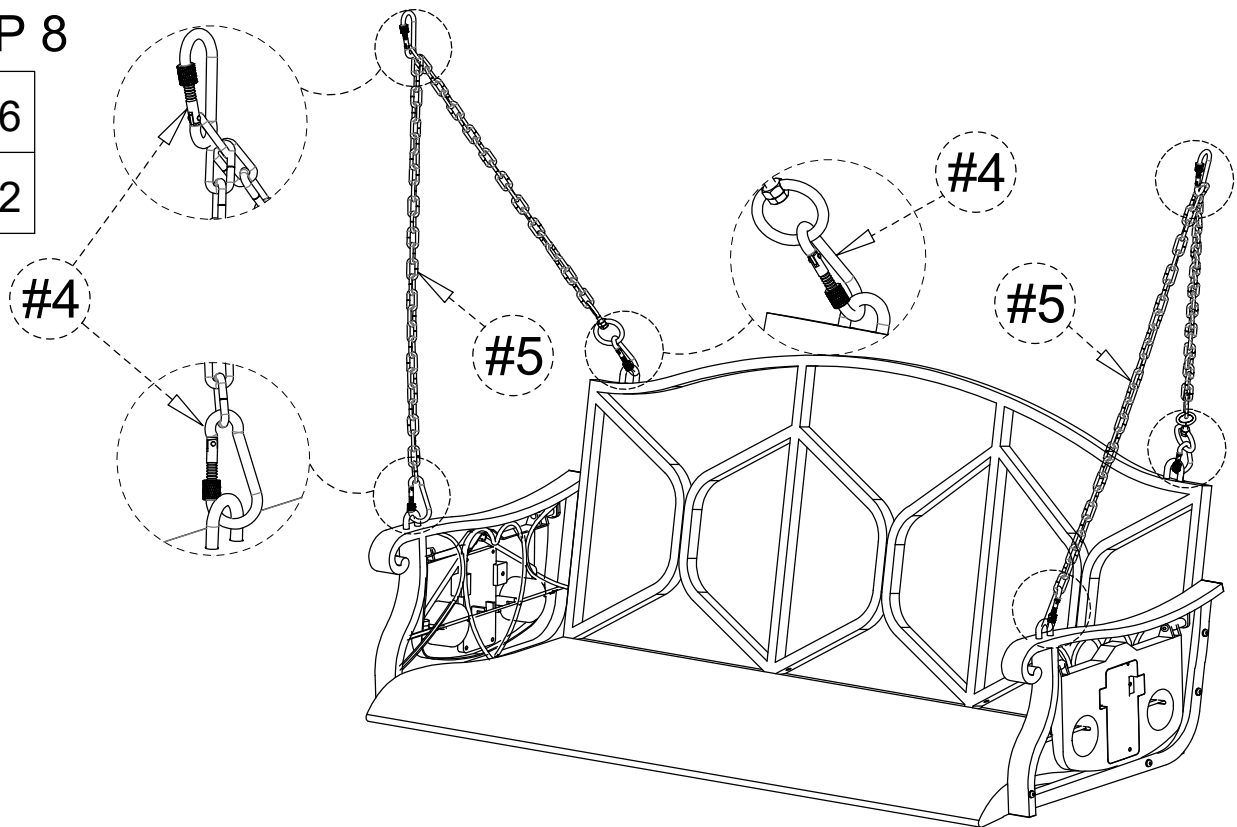
Tighten all the screws completely;

# Assembly Instruction - Porch swing

## STEP 8

#4 x6

#5 x2



The nut safety buckles must be locked;  
Regularly inspect the chain and the suspension  
as a whole for safety hazards.

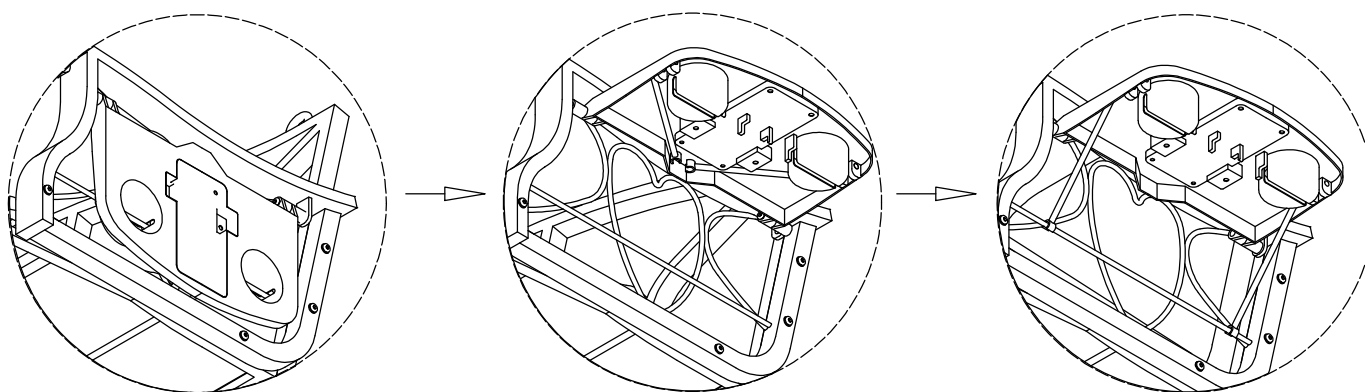
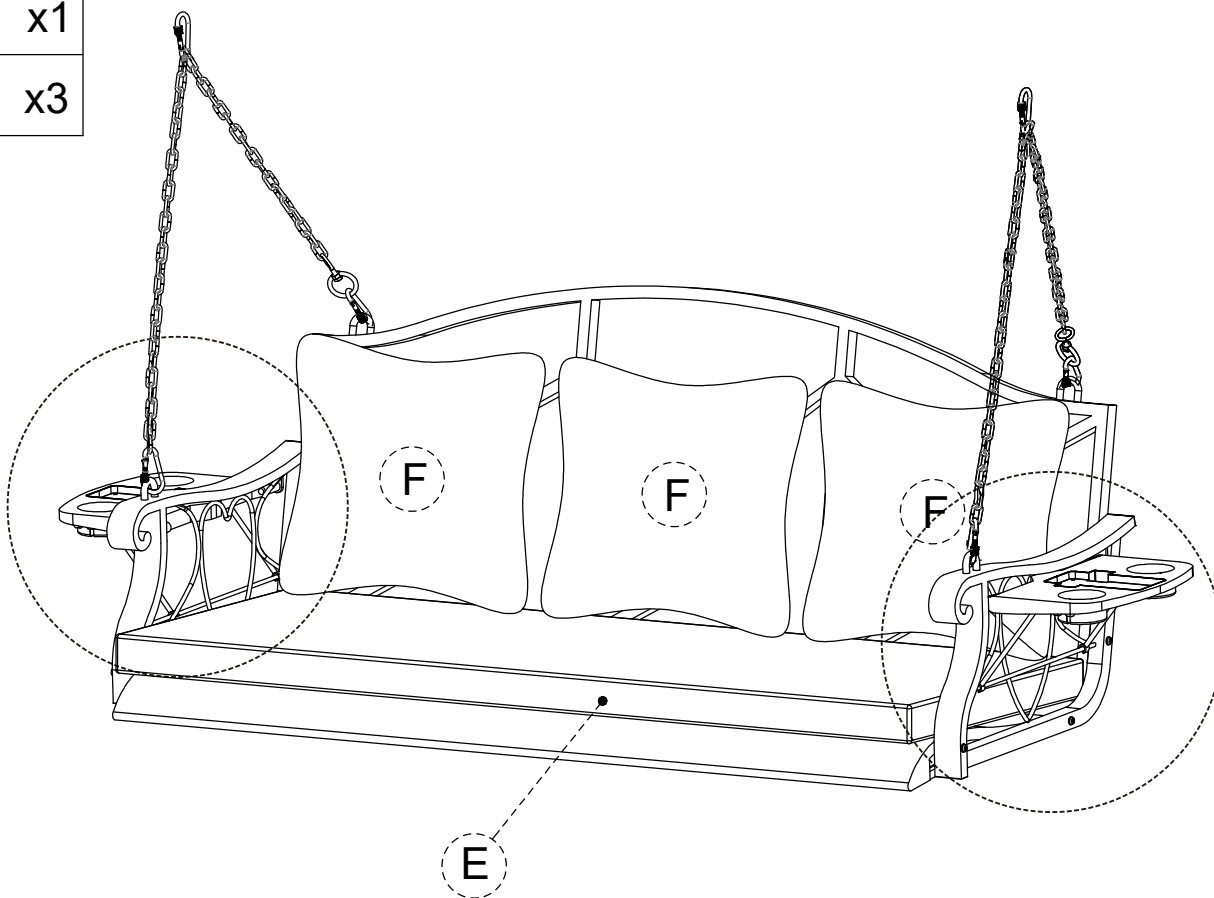
Suspend the swing chair with chains where needed as shown;  
Adjust the length of the chain suspension as needed to adjust the tilt angle of the swing chair;

# Assembly Instruction - Porch swing

## STEP 9

E x1

F x3



The plastic tea table can be unfolded and retracted.

Place E and F as shown in the figure;