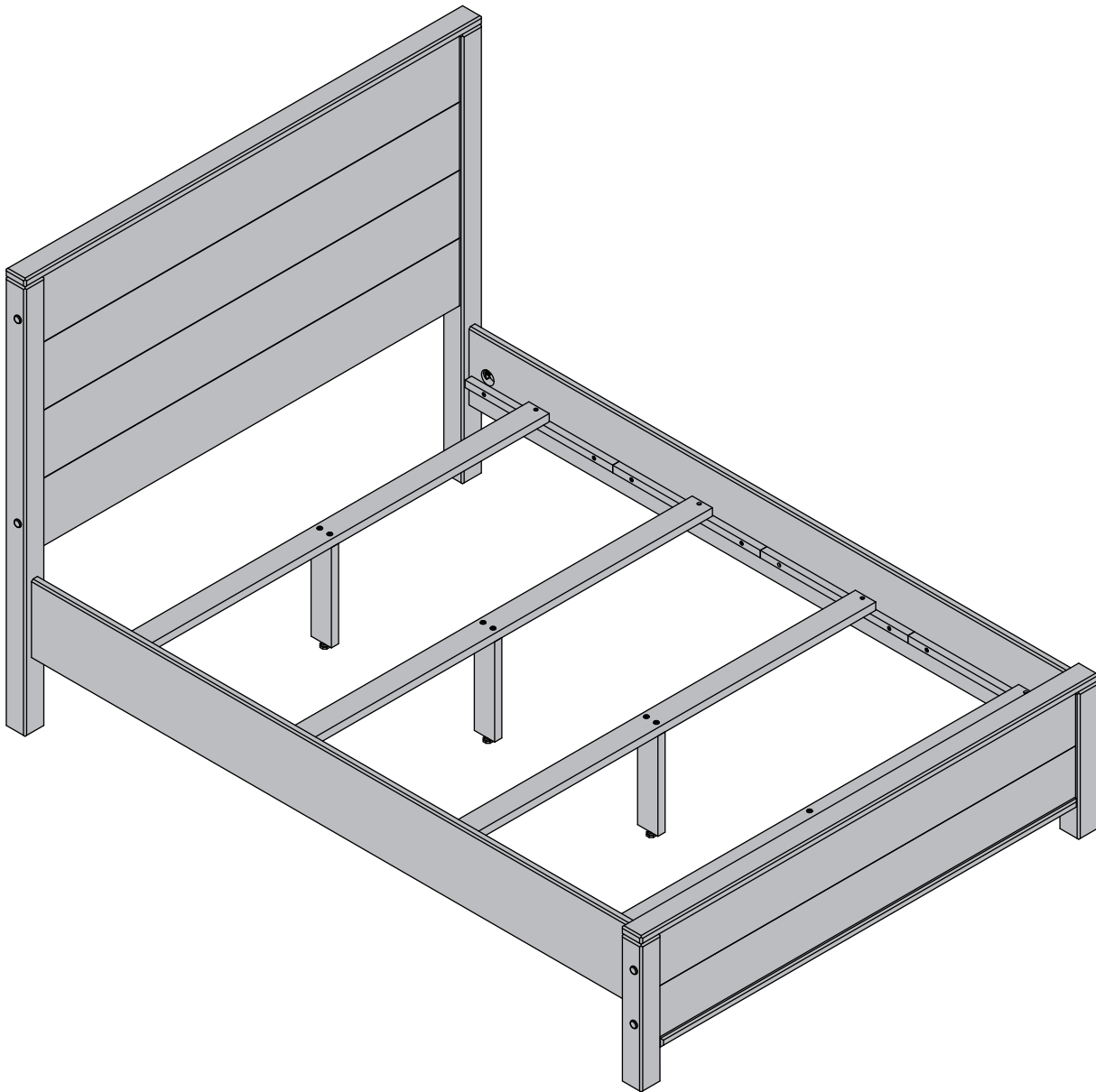


Baja Platform Bed - King Size



Assembly
02 people



Time
1:30 hours approximately



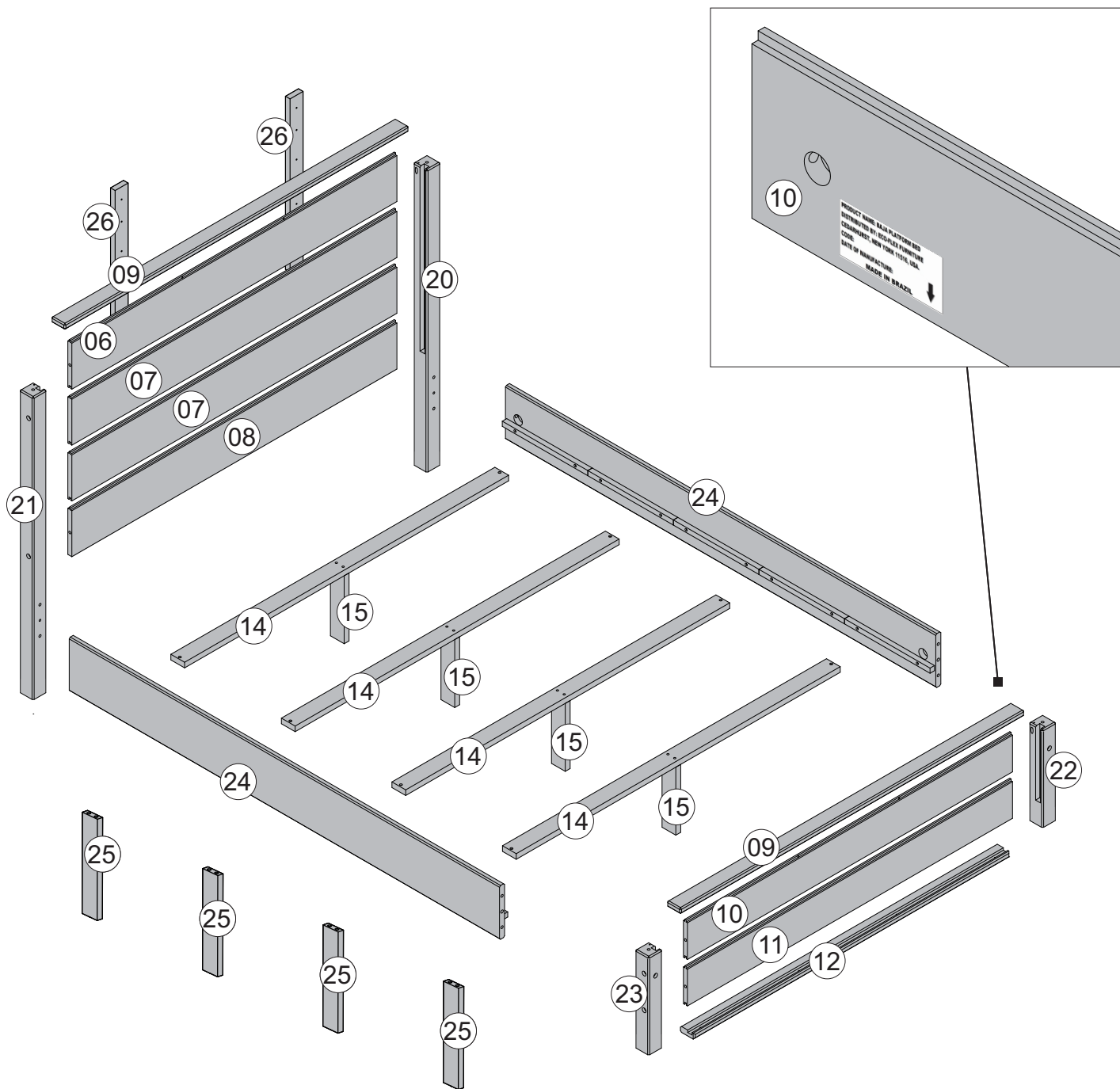
Tools
philips key, rubber hammer



Volume quantity
02 boxes

SBJ60 - 000


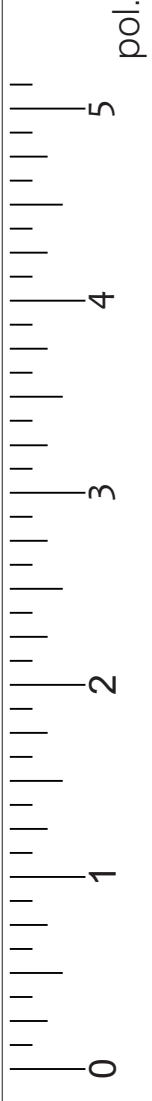


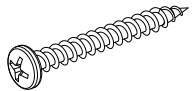


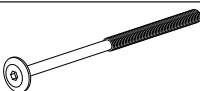
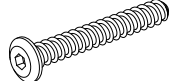
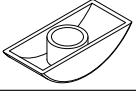
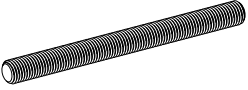
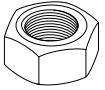

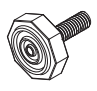
Parts list for assembly. Please confirm all parts available before assembly



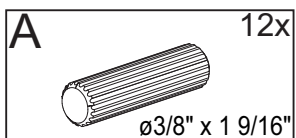
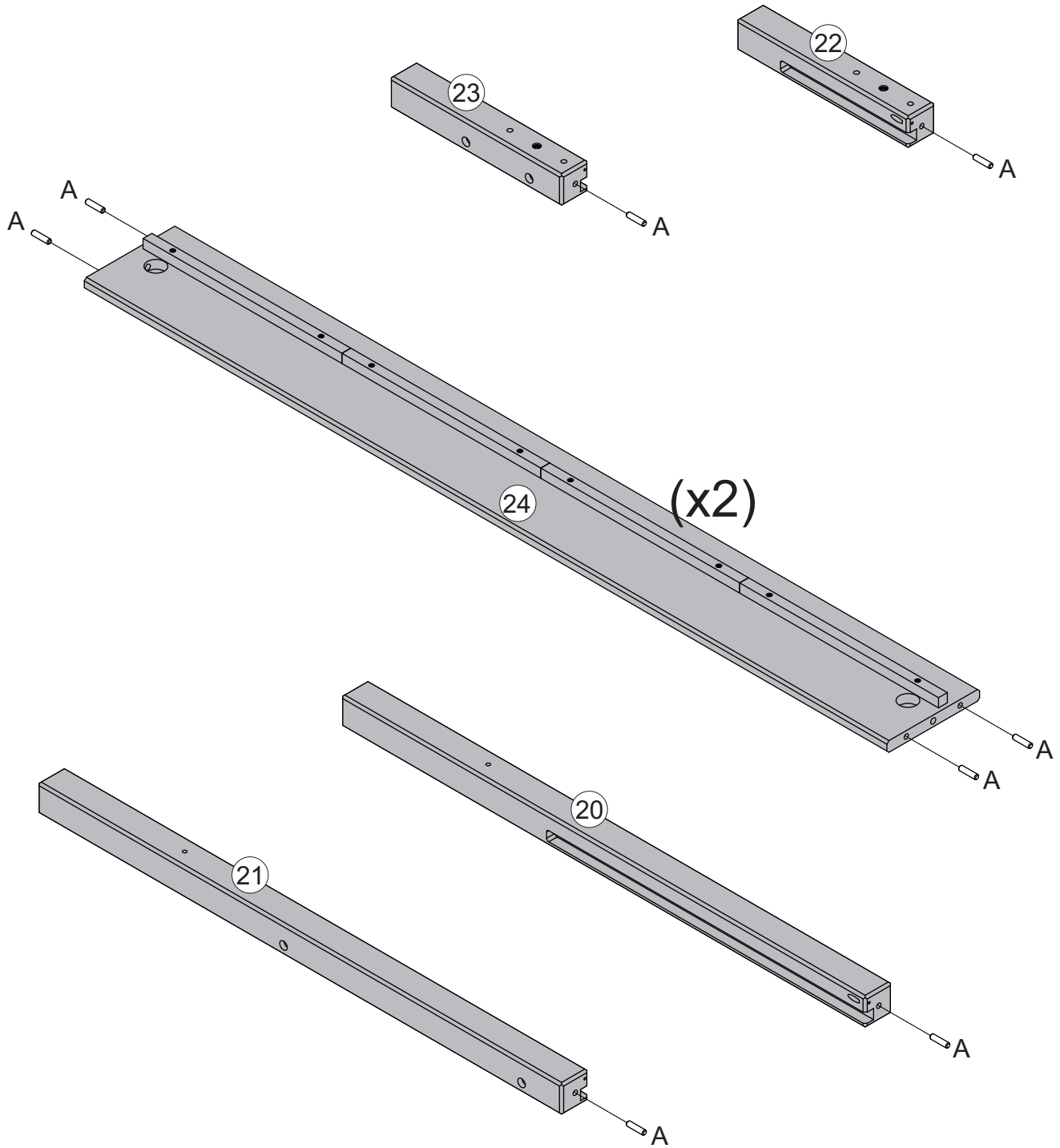
ATTENTION

- * Read and observe carefully all the assembly instructions before beginning assembly.
- * The assembly of the product must be done on a clean and flat surface. We suggest to use the packaging to cover the floor to avoid damages.
- * The screws must be tightened periodically.
- * Avoid contact with sharp objects.
- * Avoid banging pieces together.

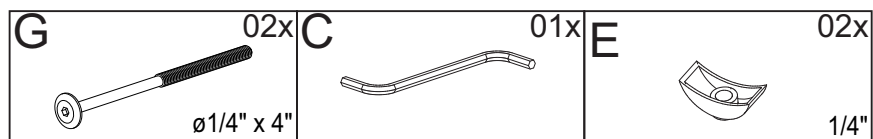
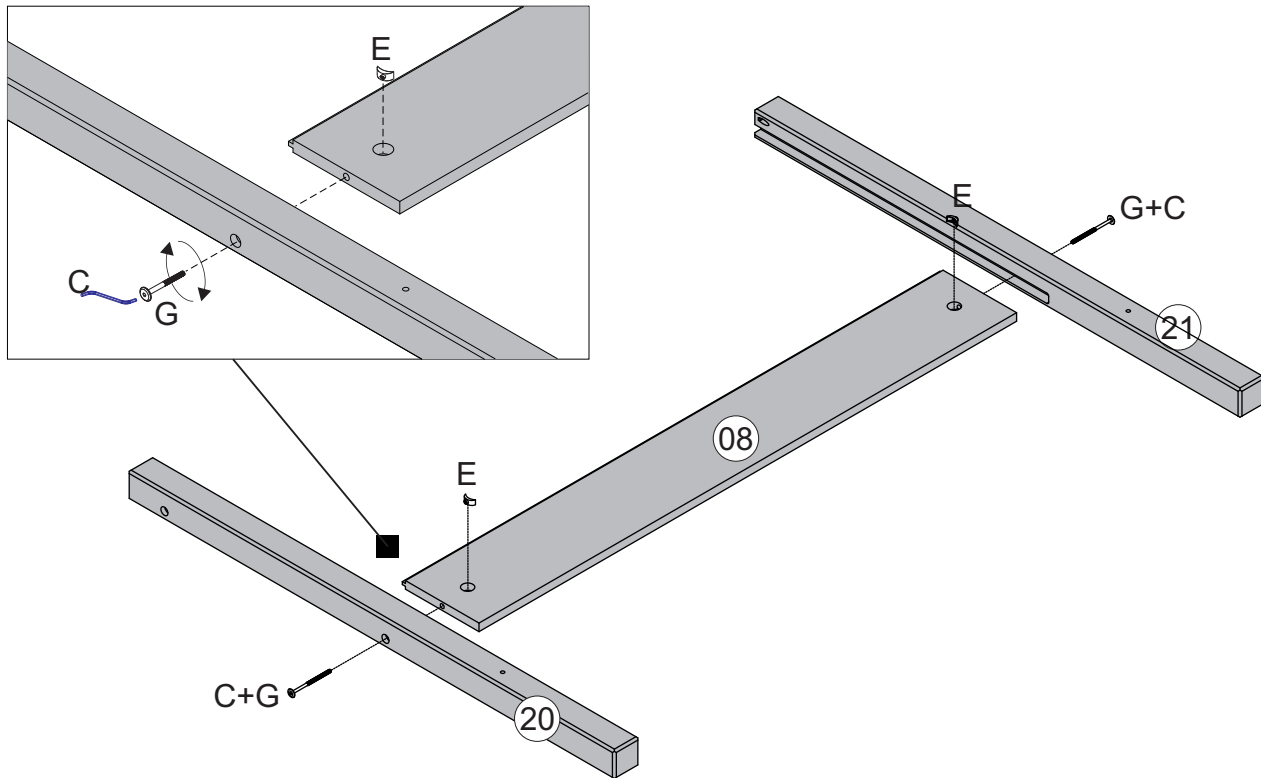
Hardware list for assembly.
Please confirm all hardware available before assembly

A		$\varnothing 3/8" \times 1 9/16"$	12x	+	SPARE 02x	
B		$\varnothing 1/4" \times 4 3/4"$	02x			
C			01x			
D		$\varnothing 5/32" \times 1 3/8"$	35x	+	02x	
E		$1/4"$	10x	+	02x	
F		$\varnothing 3/4"$	08x	+	02x	
G		$\varnothing 1/4" \times 4"$	08x	+	01x	
H		$1/4" \times 2"$	08x	+	01x	
I			02x			
J		$5/16" \times 3 9/16"$	02x			
K		$5/16"$	02x			
L			01x			
M		$1/4"$	04x			

Step - 01

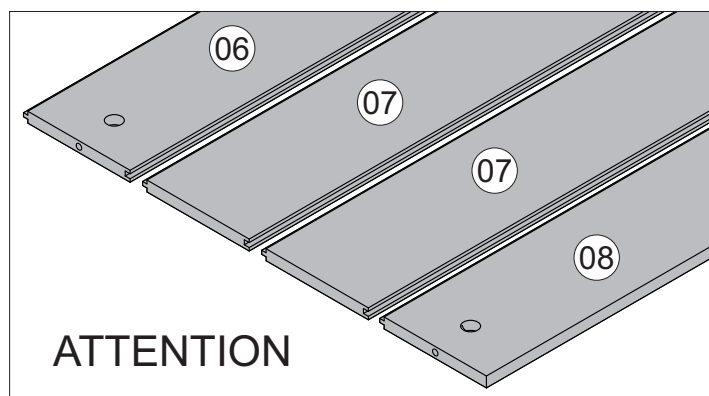
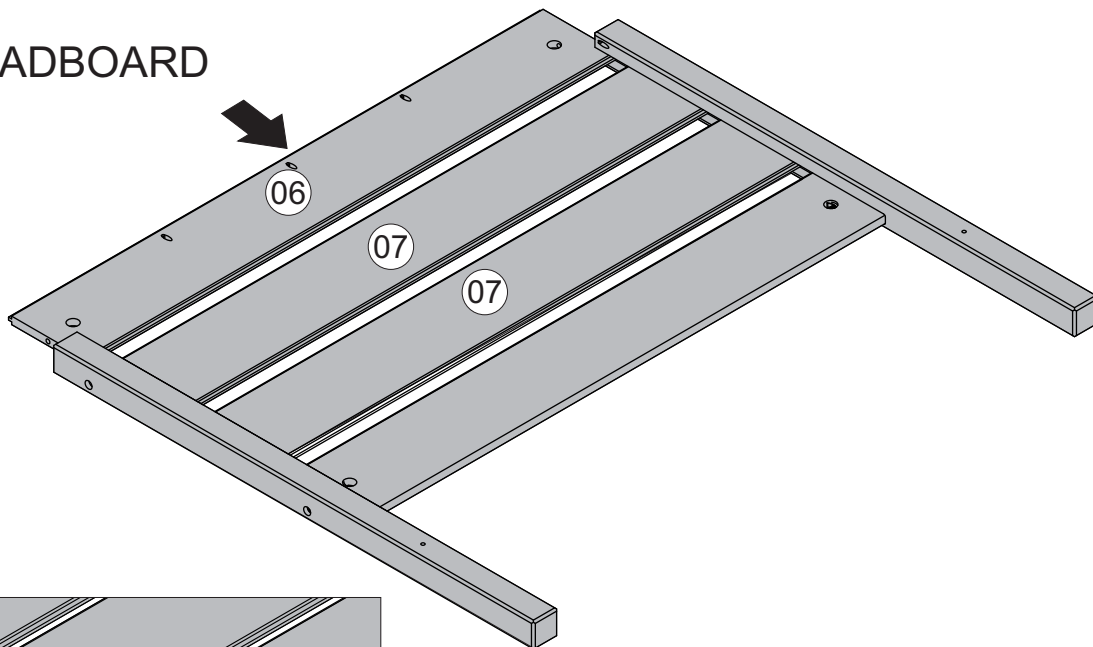


Step - 02

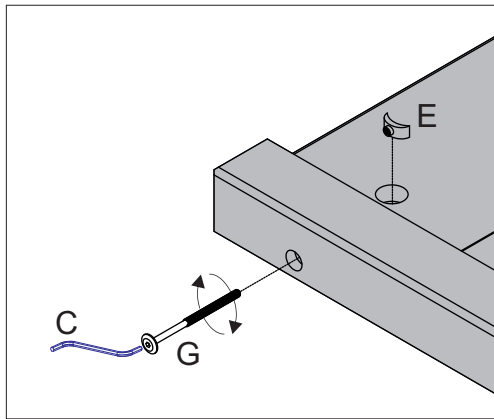
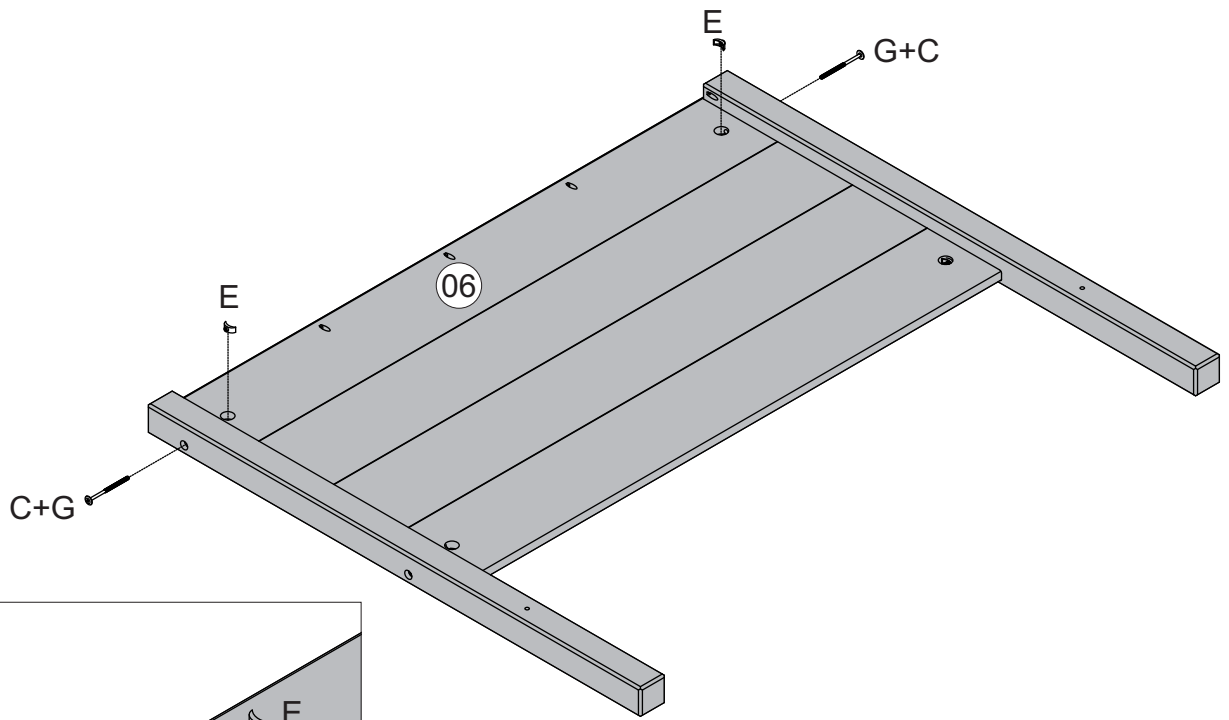


Step - 03




BACK SIDE HEADBOARD



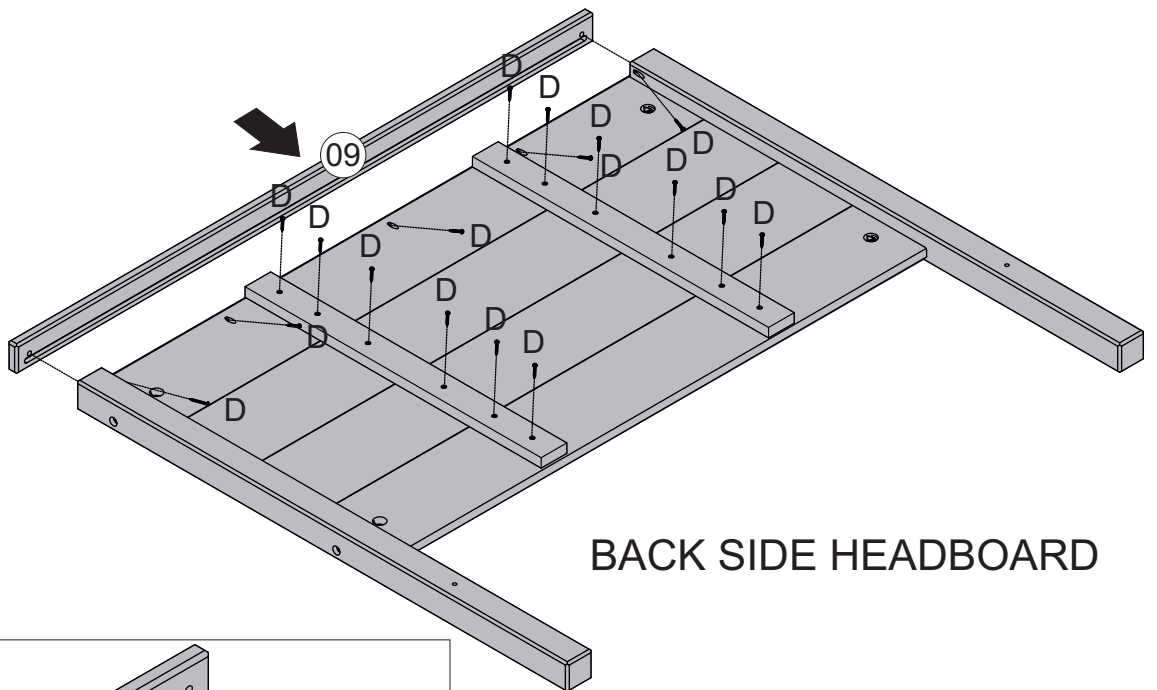
Step - 04



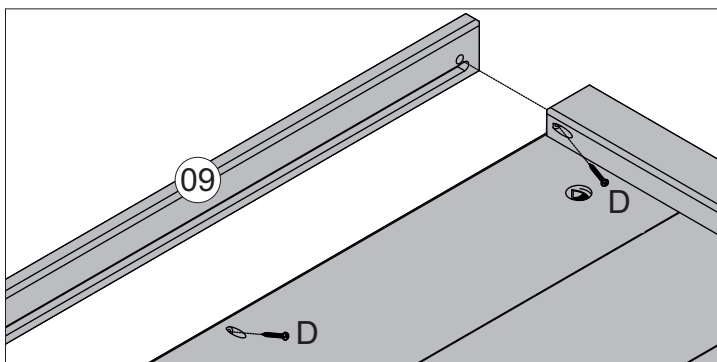
BACK SIDE HEADBOARD


G	02x	C	01x	E	02x
	$\varnothing 1/4" \times 4"$				1/4"

Step - 05



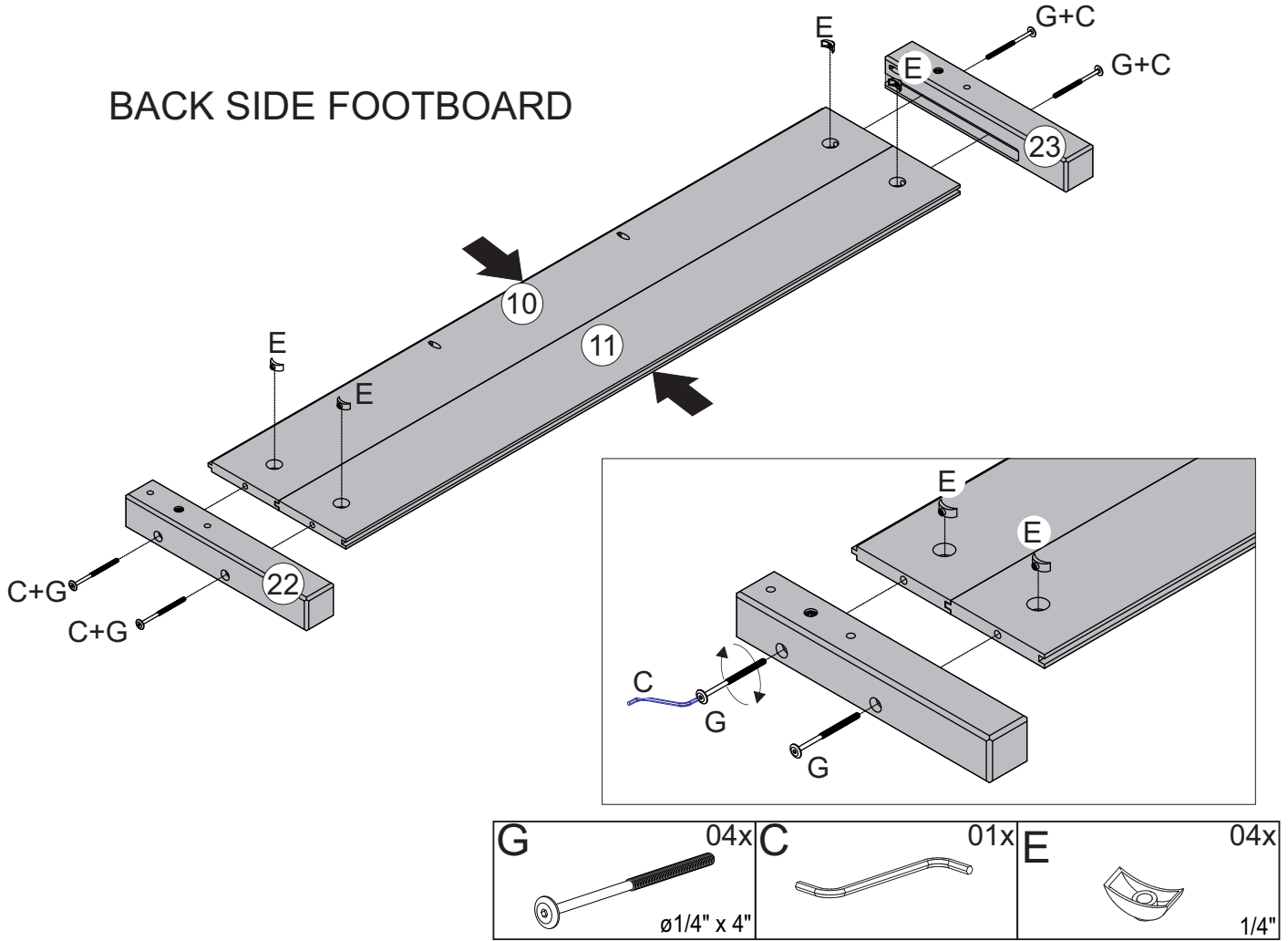
BACK SIDE HEADBOARD



D	17x
	$\varnothing 5/32" \times 1 \ 3/8"$

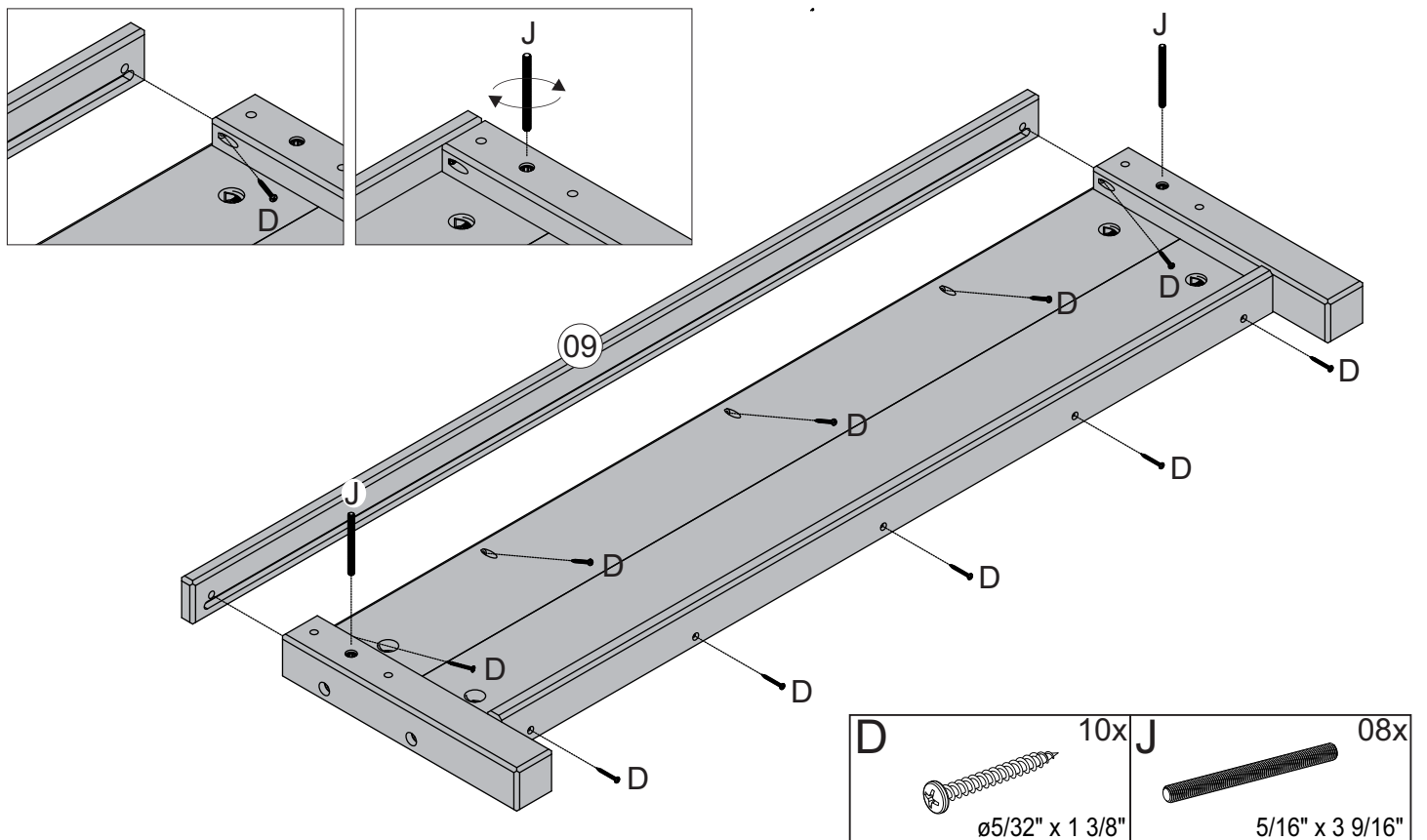
Step - 06

BACK SIDE FOOTBOARD



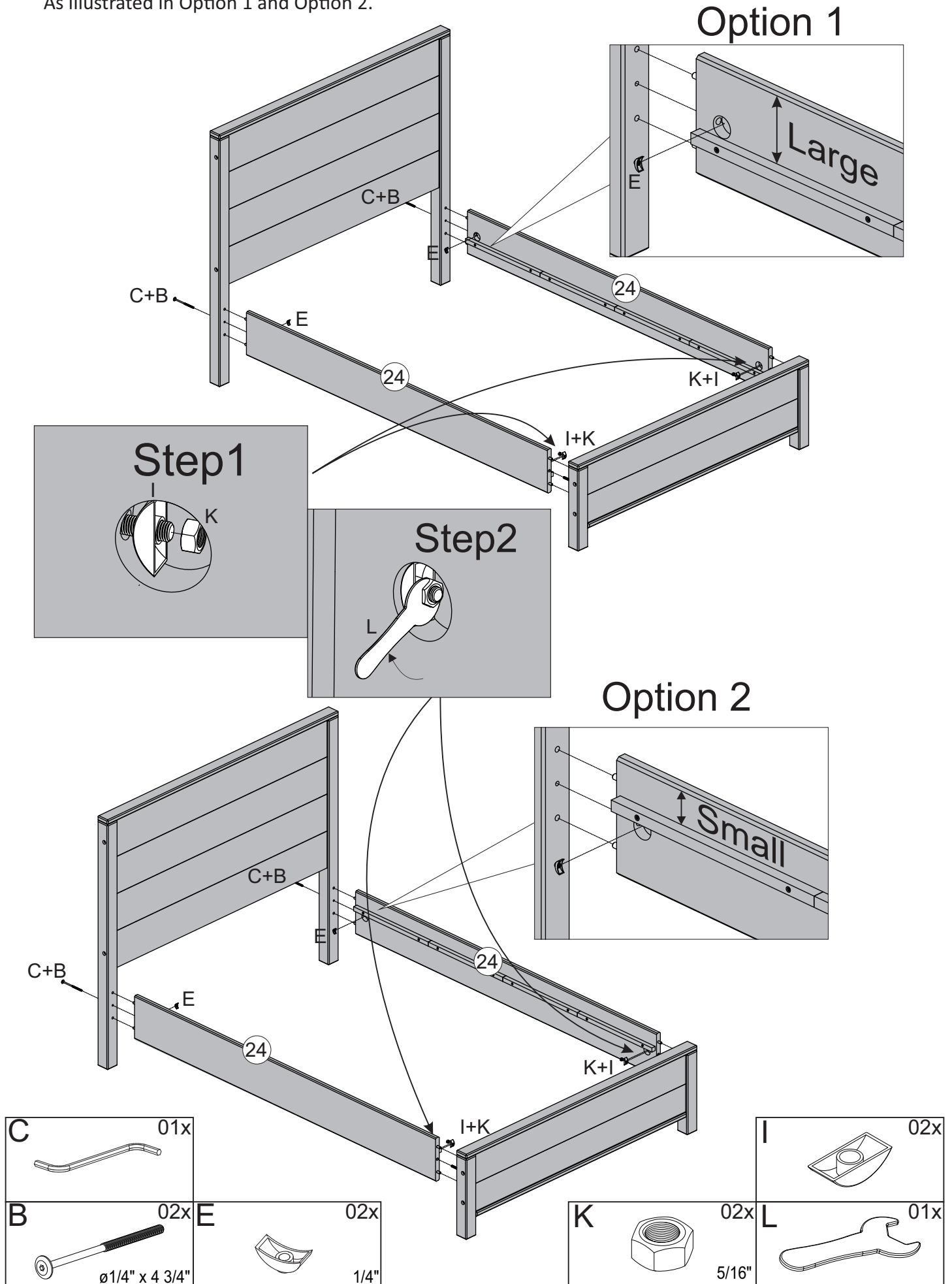
Step - 07

BACK SIDE FOOTBOARD



Step - 08

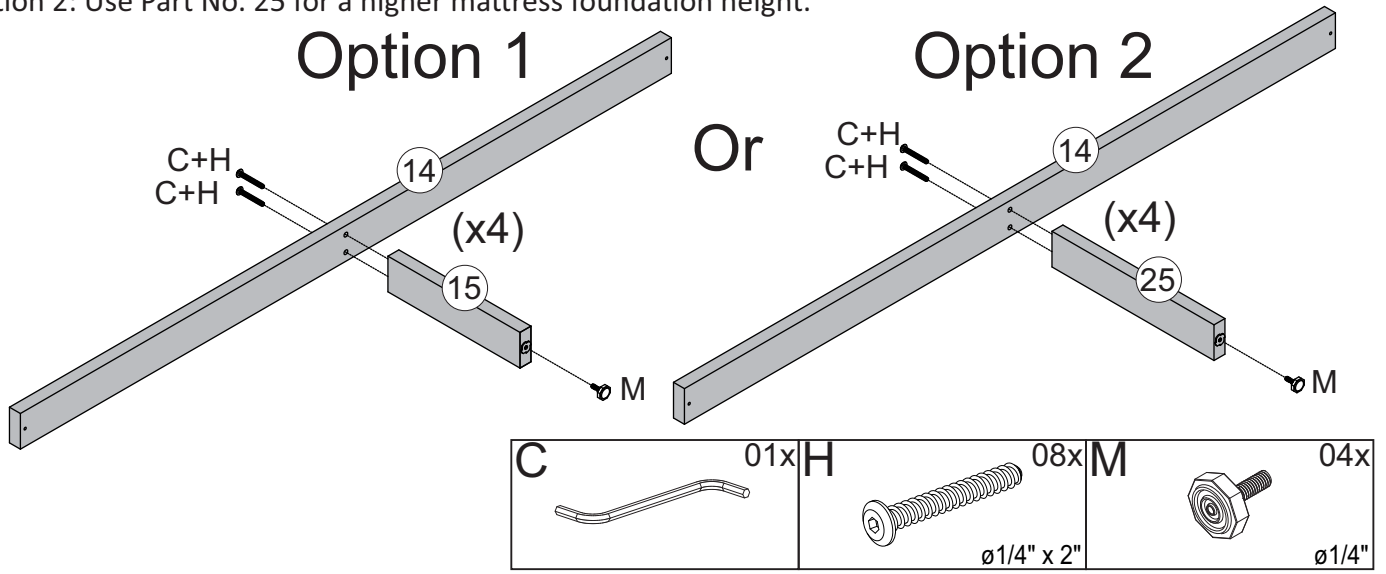
Note: Bed rails (Part No. 25) are designed to be reversible to accommodate different mattress heights. The rails can be flipped to adjust the bed cleat, allowing it to be positioned higher or lower as needed. As illustrated in Option 1 and Option 2.



Step - 09

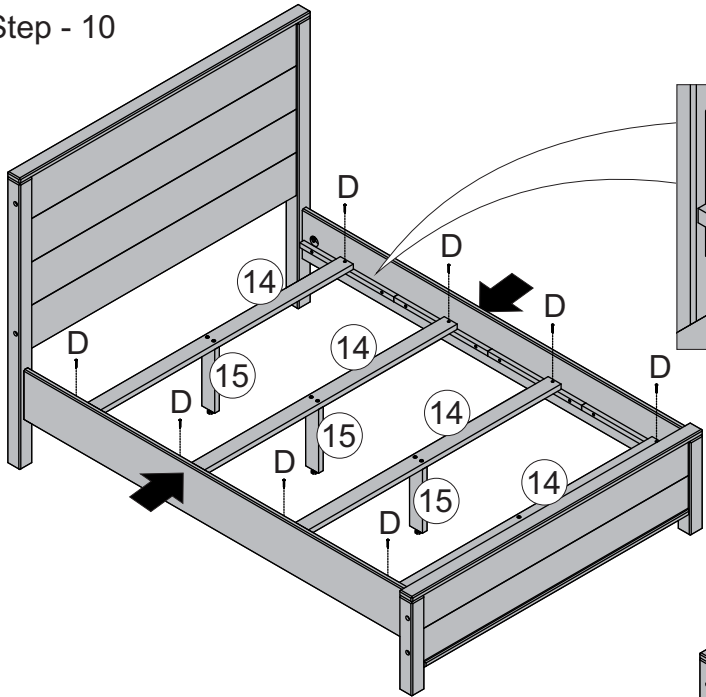
Note: For optional mattress foundation support height:

- Option 1: Use Part No. 15 (shorter foundation support leg) for a lower foundation height.
- Option 2: Use Part No. 25 for a higher mattress foundation height."

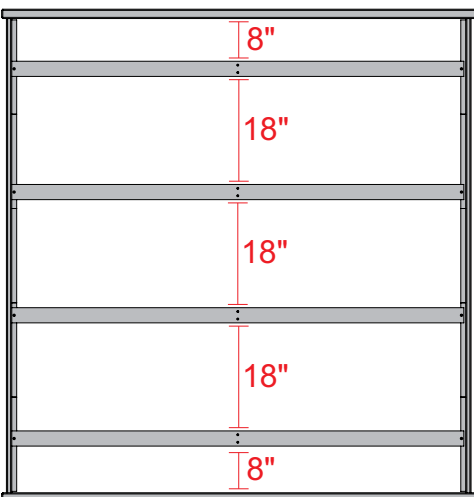
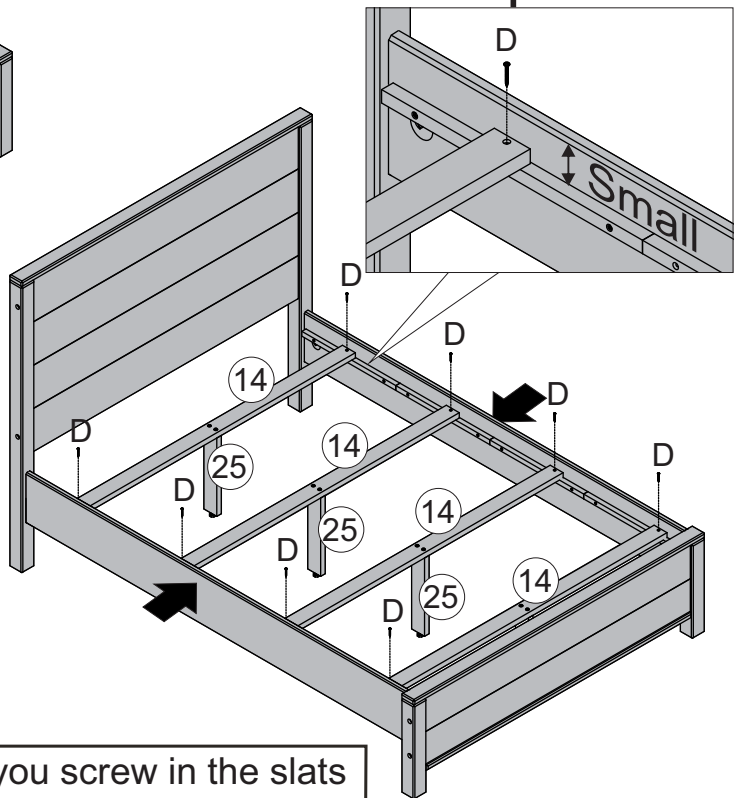


Step - 10

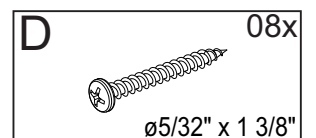
Option 1



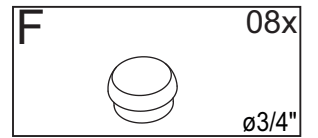
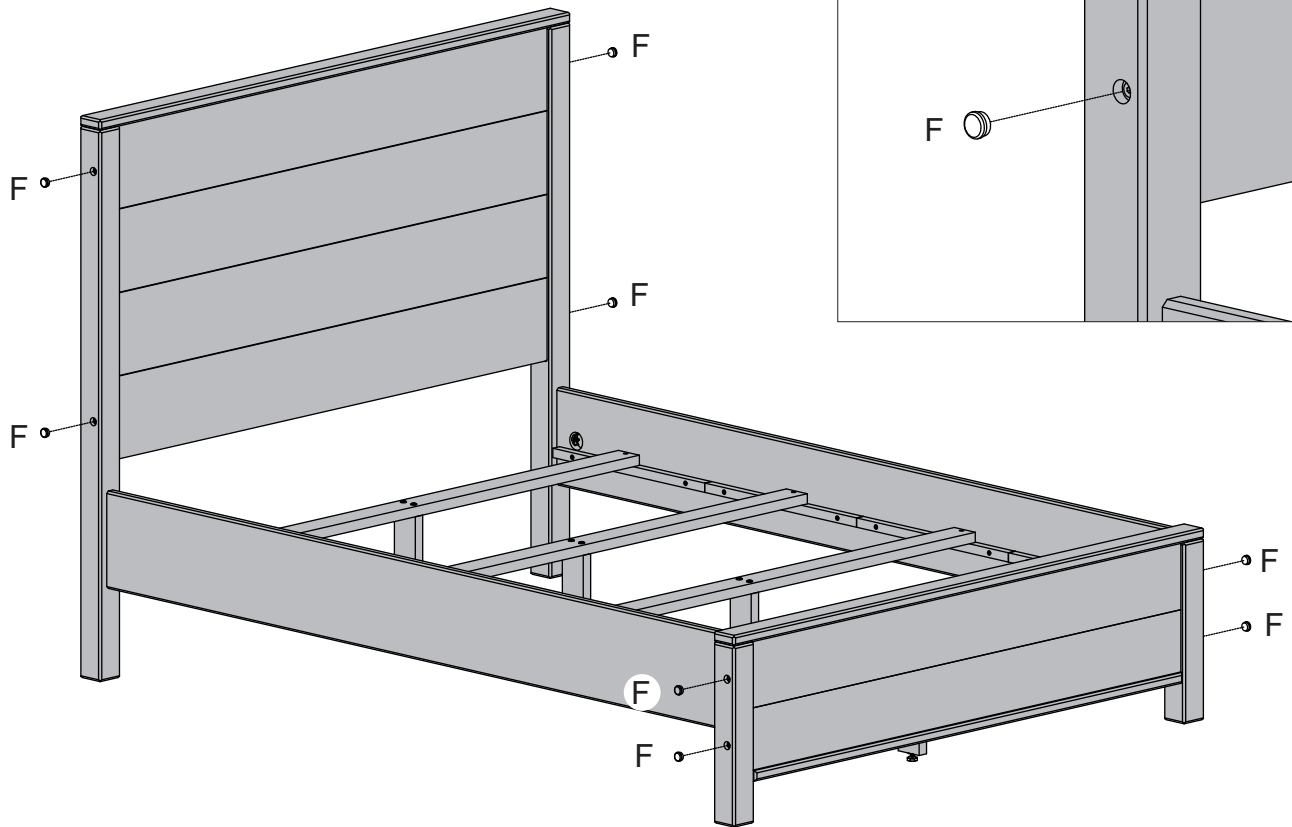
Option 2



Before you screw in the slats apply pressure to center of cross beams (part. No.24) to ensure slats (part. No.14) fit evenly between cross beams.



Step - 11



Step - 12

