

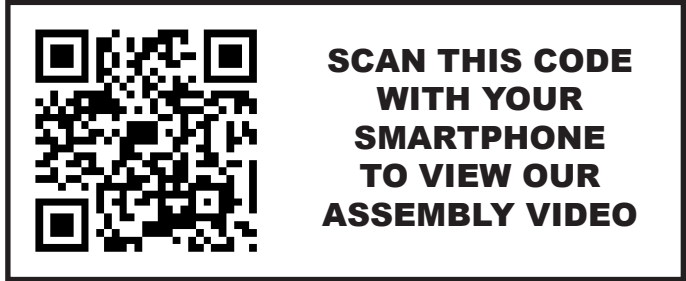
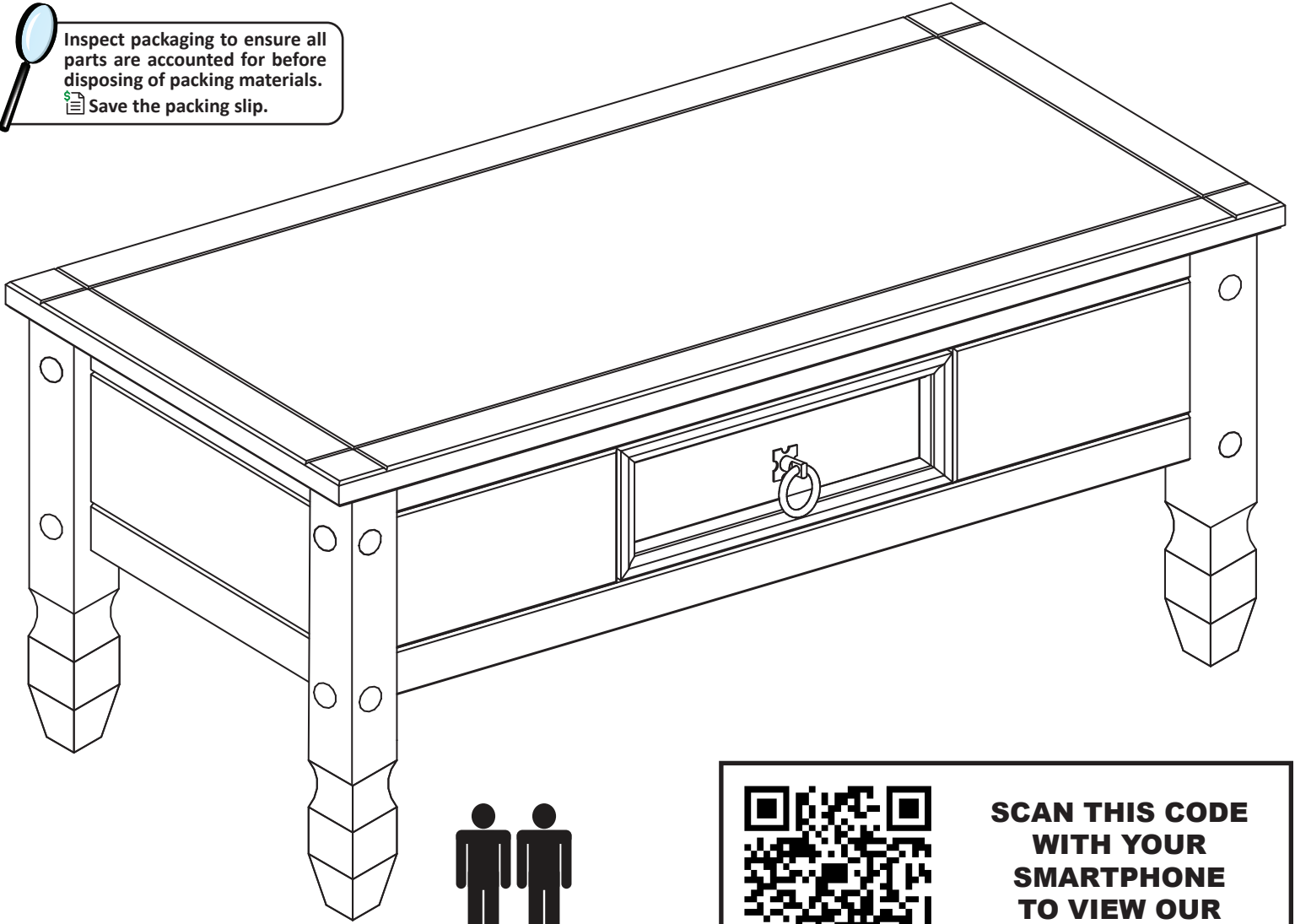


COFFEE TABLE WITH DRAWER AGR-331

Carefully review assembly and care instructions before using this product. Save this document for future reference.
Assemble components on a soft, clean surface to avoid scratching or damaging the finish.



Inspect packaging to ensure all parts are accounted for before disposing of packing materials.
 Save the packing slip.



HELPFUL HINTS

Sunnydaze Decor advises reviewing this manual fully, and assembling the unit soon after purchase. Check that all parts are accounted for and familiarize yourself with the assembly before beginning.

SAVE THIS MANUAL FOR FUTURE REFERENCE.

INTRODUCTION

Read the manual carefully to ensure you fully understand all use, care, assembly, and safety information.



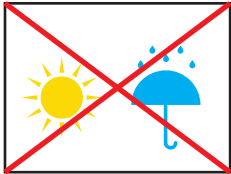
Read this manual carefully and follow the assembly instructions in the order listed. Pay close attention to assembly drawings.



Regularly clean with a clean microfiber cloth to prevent dust accumulation.



Do not paint the unit.
Do not use abrasive materials or cleaners to clean the furniture.



Indoor use only.
Do not expose the furniture to heat or humidity.



When cleaning nearby the furniture, do not allow contact with water or cleaners as it may deteriorate the furniture.



Do not allow metal components to come in contact with water or cleaners as it may cause rust and staining.



Assemble on a soft, flat, clean, and dry surface.



Use a soft, protective barrier when assembling the furniture.

TIP: Use the box carton as a protective layer to separate and protect the parts from scratches and other damage during assembly.



Do not push or drag furniture as doing so may damage the unit.

Only move furniture when it is empty.



Always ask for help when moving furniture.



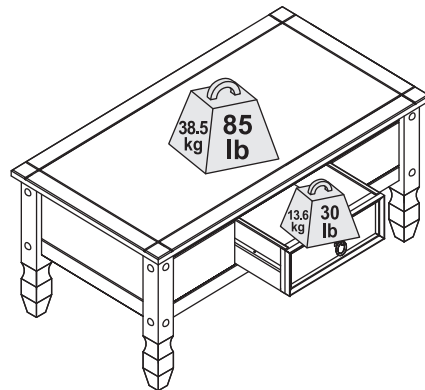
Avoid Accidents - Do not climb, sit or stand on the furniture.

Do not allow children to play on or inside the furniture.



Keep sharp objects away as they may scratch or damage the unit.

Do not use the furniture as a writing surface without a padded barrier.



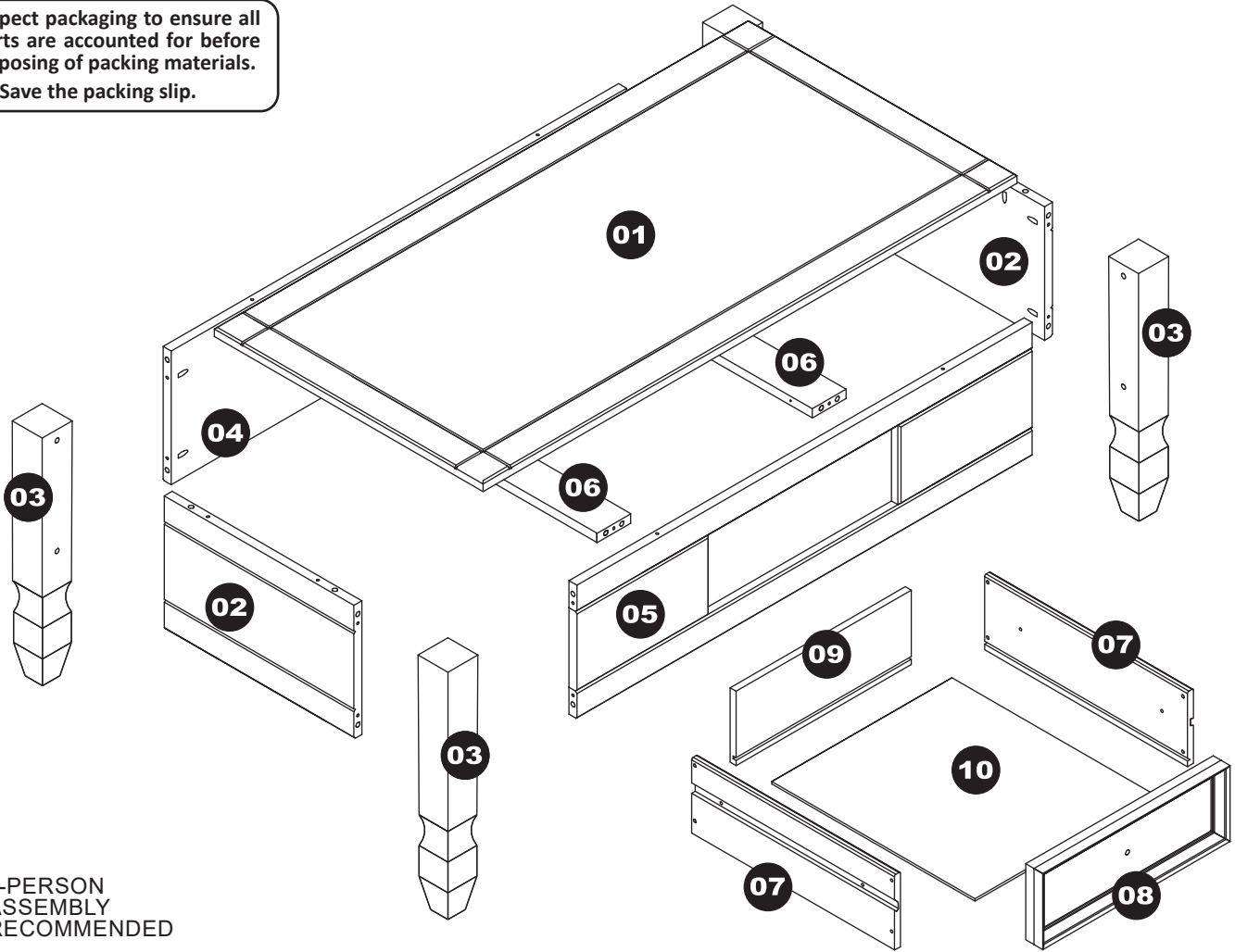
! NOTICE:

Manufacturer and seller expressly disclaim any and all liability from personal injury, property damage or loss, whether direct or indirect, or incidental, resulting from the incorrect attachment, improper use, inadequate maintenance, or neglect of this product.

COMPONENTS



Inspect packaging to ensure all parts are accounted for before disposing of packing materials.
 Save the packing slip.

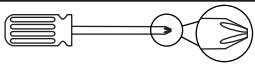


2-PERSON
ASSEMBLY
RECOMMENDED

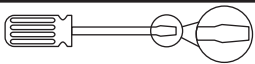
SEQ.	PART NAME	QTY.
01	Tabletop	1
02	Side Panel (L/R)	2
03	Leg	4
04	Back Panel	1
05	Front Panel	1
06	Drawer Rail	2
07	Drawer Side (L/R)	2
08	Drawer Face	1
09	Drawer Back	1
10	Drawer Base	1

No.	HARDWARE	QTY.
A	Wood Dowel	28
B	M4.5x28mm Pan Screw	20
C	M3.5x30mm Flat Screw	8
D	Tack	16
E	Handle Set	1
F	Connector	10
G	M4.5x25mm Pan Screw	10
H	M4x14mm Flat Screw	6
J	Drawer Slide	2
K	M4x8mm Bolt	2

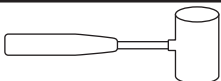
TOOLS REQUIRED (not included)



Phillips Screwdriver



Regular Screwdriver



Rubber Mallet

! WARNING !

CHOKING HAZARD — This item contains small parts that can be swallowed. Keep children and pets away during assembly.

ASSEMBLY

Carefully review all steps and fully understand assembly before beginning.

IMPORTANT: Take care not to over-tighten screws as doing so may crack the wood or strip the screw hole, causing a weak connection and reduced stability.

STEP 1

02: 2

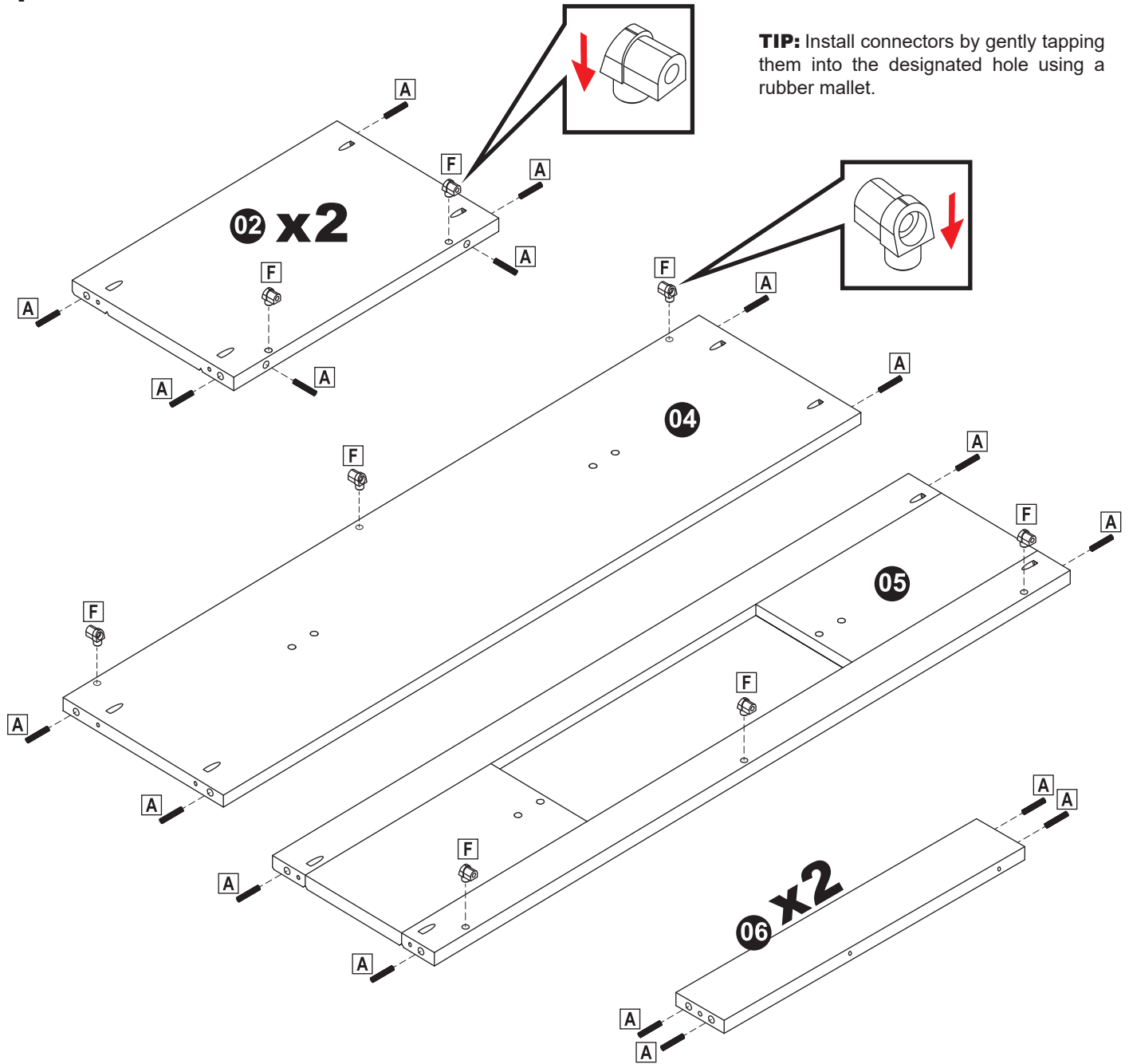
04: 1

05: 1

06: 2

A: 28

F: 10



Locate and lay out two Side Panels (02), Back Panel (04), Front Panel (05), and two Drawer Rails (06).

Install components as shown in the diagrams, and noted below:

Side Panel (02), install six Wood Dowels (A) and two Connectors (F). Repeat with the second side panel.

Back Panel (04), install four Wood Dowels (A) and three Connectors (F).

Front Panel (05), install four Wood Dowels (A) and three Connectors (F).

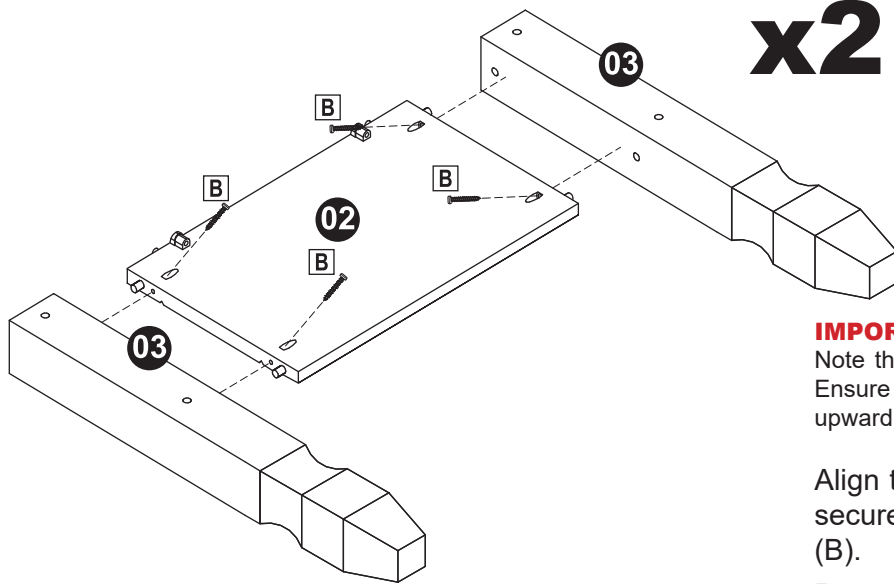
Drawer Rail (06), install four Wood Dowels (A). Repeat with the second drawer rail.

Set components aside, label if necessary.

STEP 2

03: 4

B: 8



IMPORTANT:

Note the direction of the pre-drilled holes on the legs. Ensure the holes for mounting the front/back panel are upward as indicated in the diagram.

Align two Legs (03) with Side Panel (02) and secure using four M4.5x28mm Pan Screws (B).

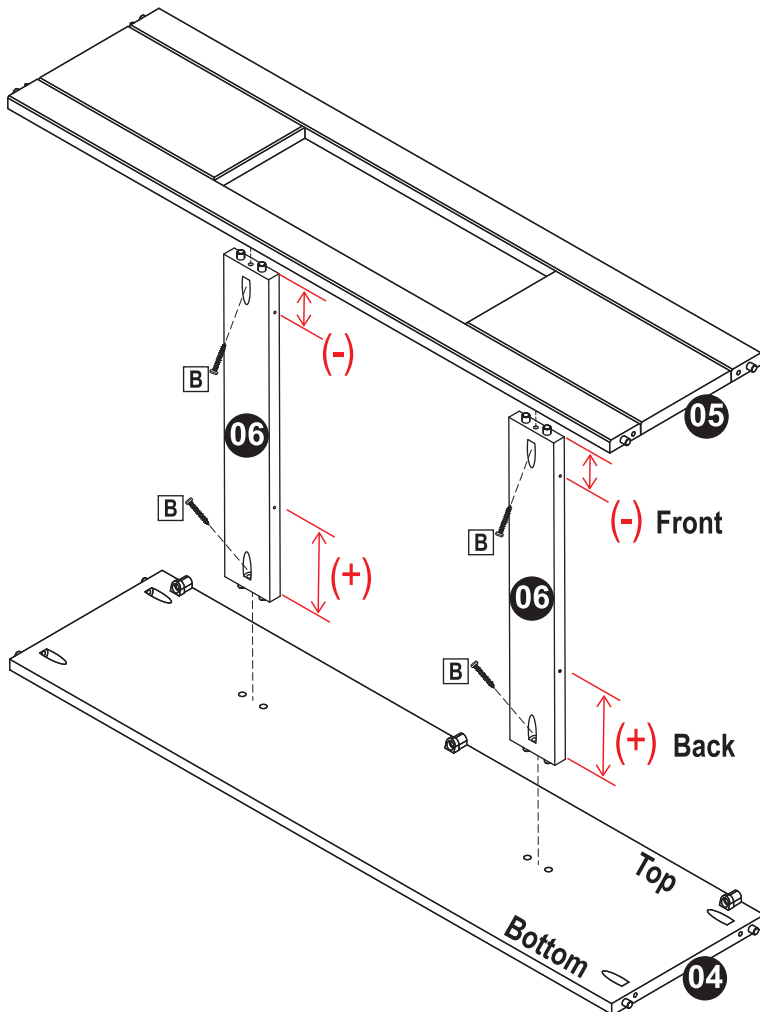
Repeat this step to assemble the remaining side panel and legs.

STEP 3

B: 4



Assistance is recommended for this step.



TIPS:

Before beginning, familiarize yourself with all the parts used in this step. Carefully read written instructions, and refer to the diagram to ensure you understand assembly.

The 'Top' of the front and back panel is the side with the connectors installed.

The 'Bottom' of the drawer rail has angled pre-drilled holes.

IMPORTANT:

Ensure Drawer Rails (06) are installed in the correct direction, as shown in this diagram.

Identify the two indents on the long, thin side of Drawer Rails (06), the indent with the longer distance between it and the end of the rail must be installed toward Back Panel (04).

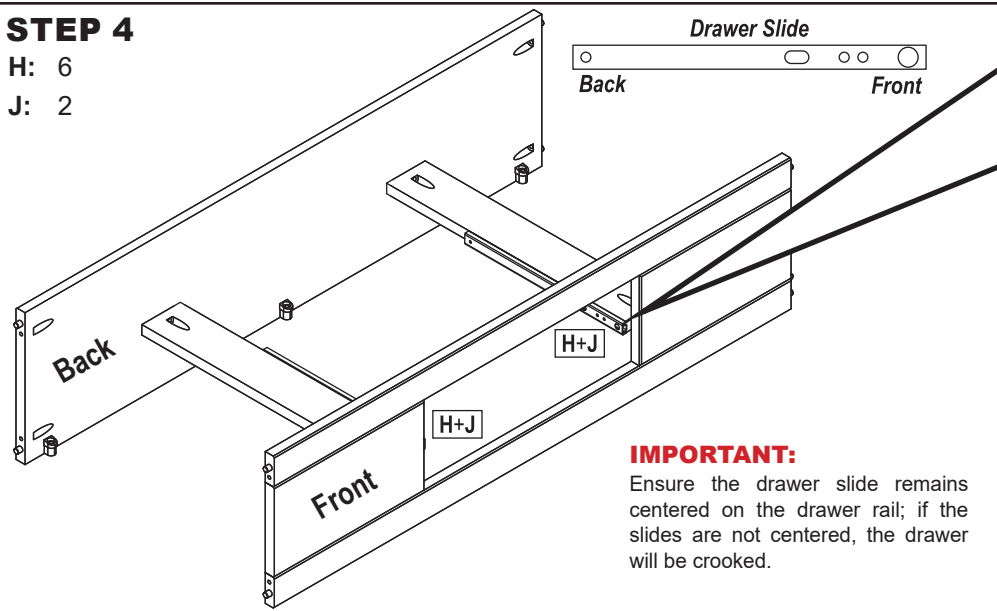
Align the back side of two Drawer Rails (06) with the Back Panel (04) as shown. Secure the drawer rails using two M4.5x28mm Pan Screws (B).

Align Front Panel (05) with the drawer rails and secure using two M4.5x28mm Pan Screws (B).

STEP 4

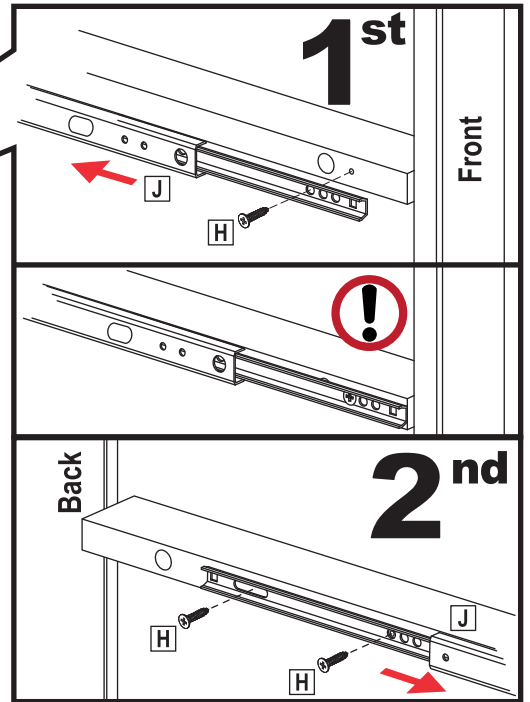
H: 6

J: 2



IMPORTANT:

Ensure the drawer slide remains centered on the drawer rail; if the slides are not centered, the drawer will be crooked.



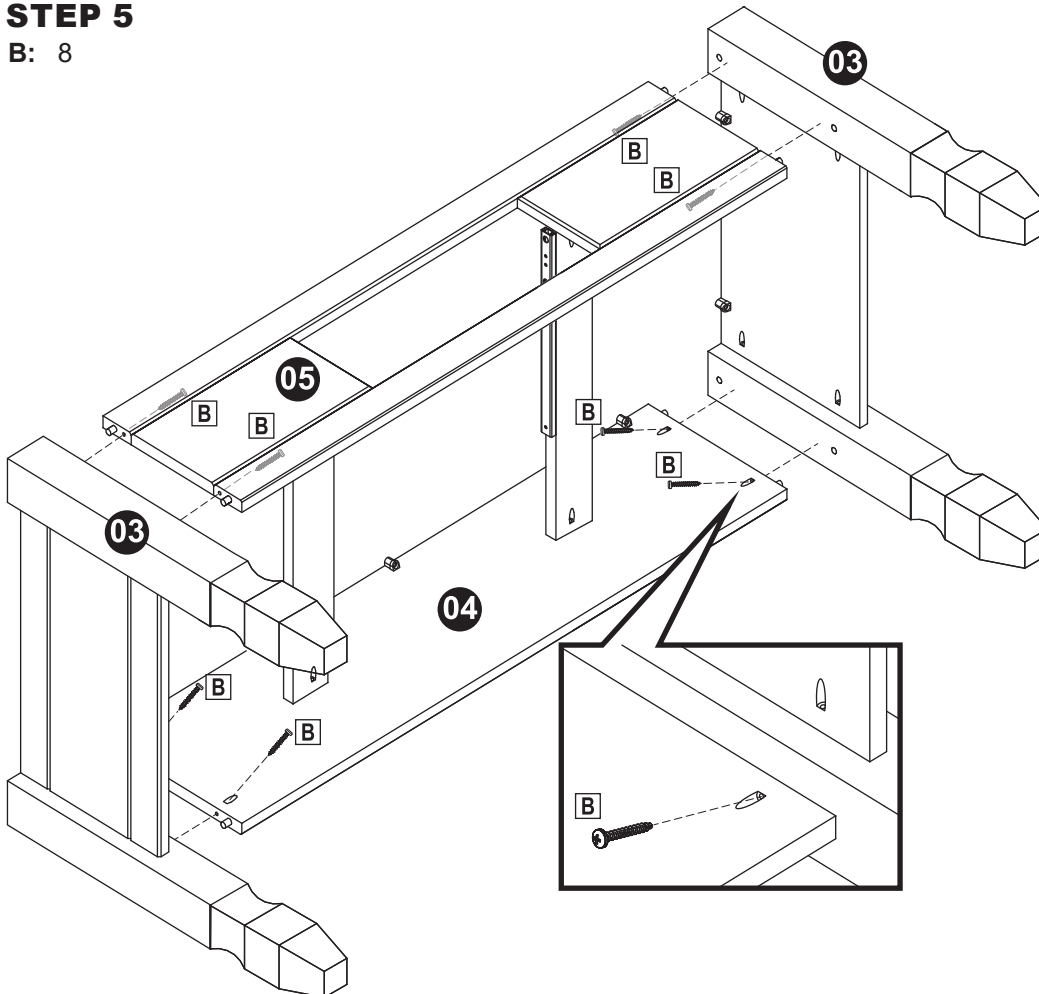
Push the front of Drawer Slide (J) backward. Align the 3rd round hole on the front of the drawer slide with the front indent on the drawer rail and secure using one M4x14mm Flat Screw (H).

Slide the top piece of the drawer slide forward, the backside indent will align with the 1st small round hole on the back of the slide. Ensuring the slide is centered on the drawer rail, secure the 1st small round hole, then secure the oblong hole using two M4x14mm Flat Screws (H), as shown.

Repeat this step to secure the remaining drawer slide on the opposite drawer rail.

STEP 5

B: 8



IMPORTANT:

Ensure the legs are tight against the panels before installing the screws.

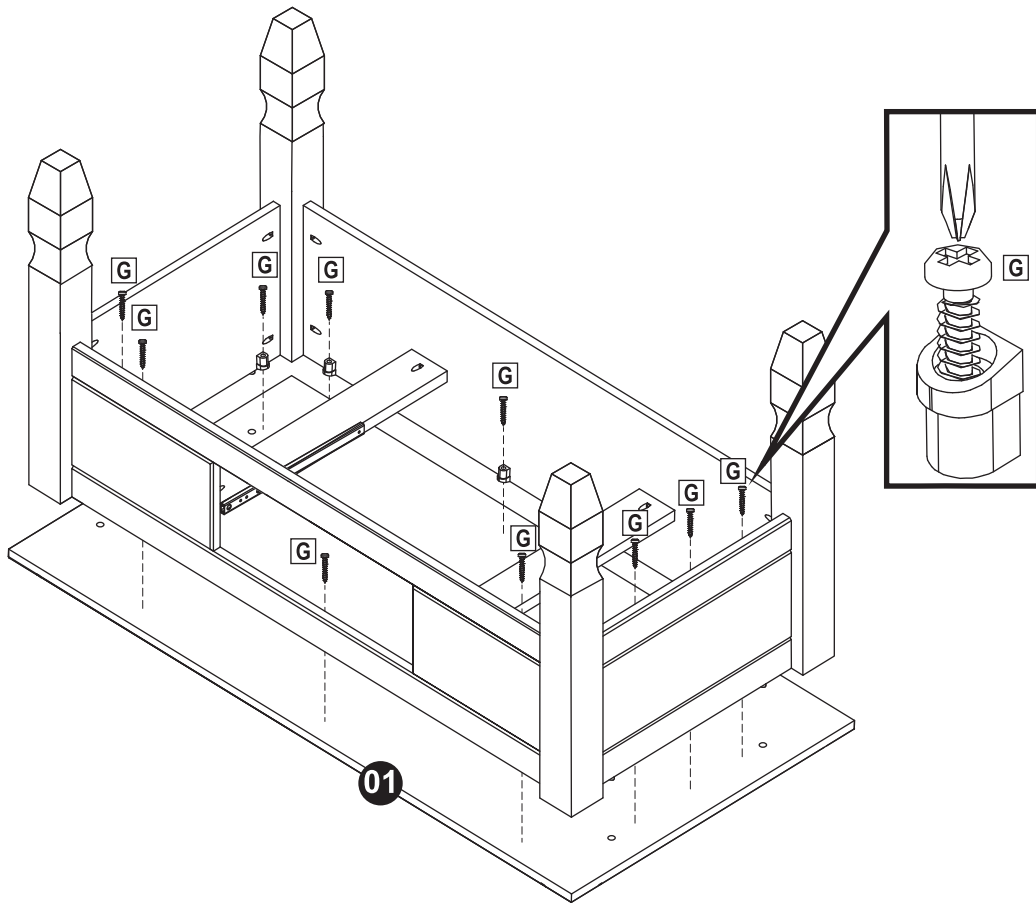
Locate the assembled side/leg panels from Step 2.

Align the mounting holes on the legs with the front and back panels, as shown. Secure each side using four M4.5x28mm Pan Screws (B).

STEP 6

01: 1

G: 10



Place Top (01) on a flat, clean surface. Align the assembled components with the top and secure using ten M4.5x25mm Pan Screws (G).

STEP 7

07: 2

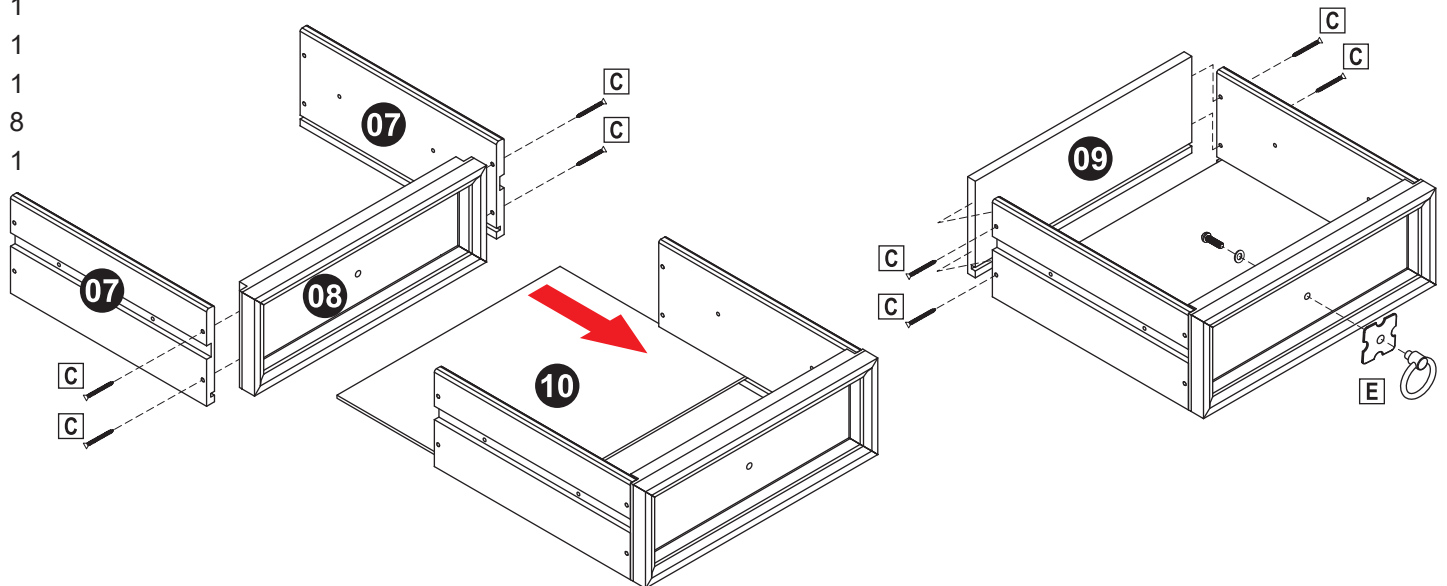
08: 1

09: 1

10: 1

C: 8

E: 1



Ensuring the inside grooves align, secure two Drawer Sides (07) to Drawer Face (08) using four M3.5x30mm Flat Screws (C).

Slide Drawer Bottom (10) into the grooves, as shown.

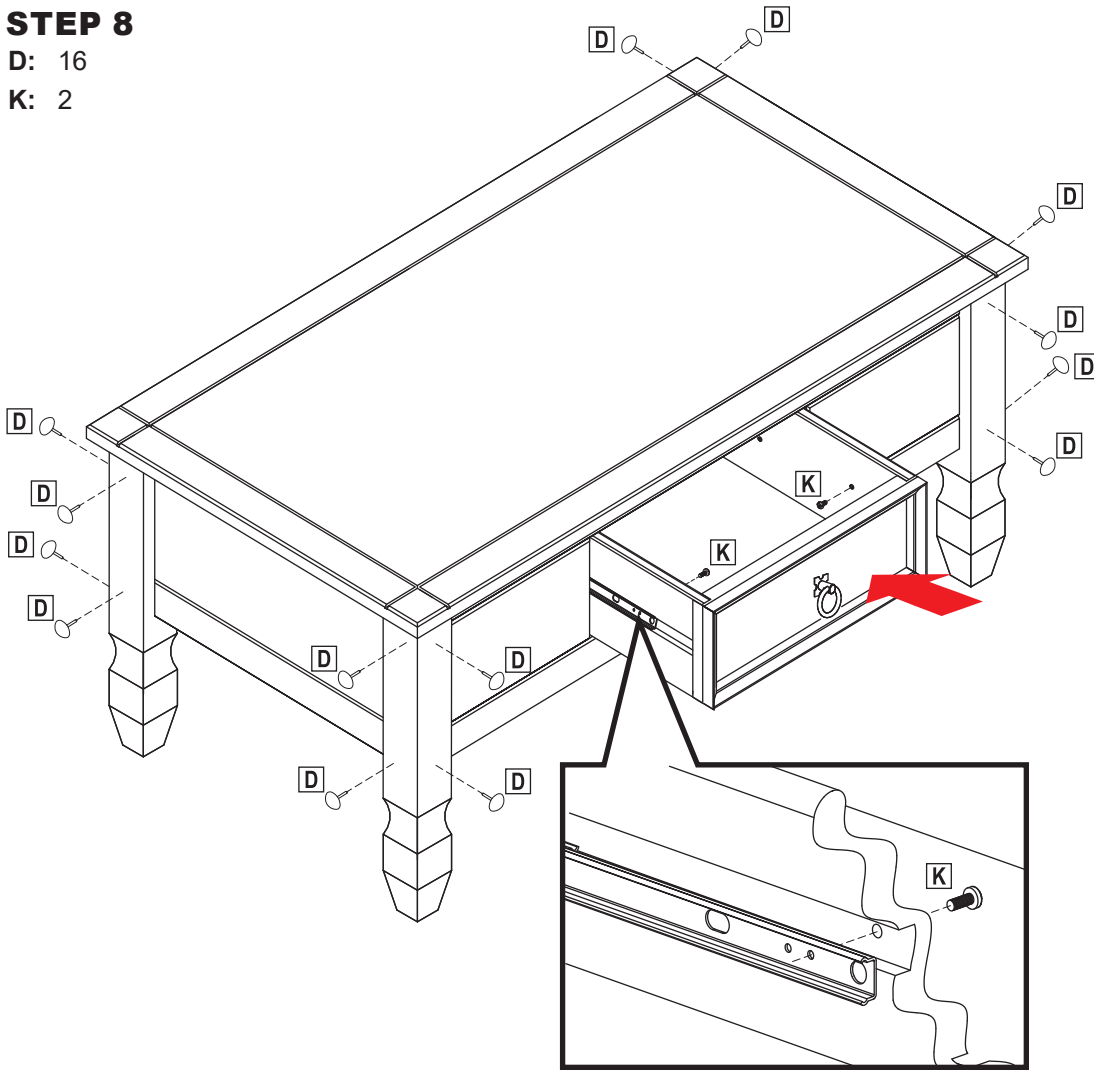
Secure Drawer Back (09) to the drawer sides using four M3.5x30mm Flat Screws (C).

Ensuring the handle and handle plate remain straight, install one Handle Set (E) to the drawer face.

STEP 8

D: 16

K: 2



Extend the drawer slides out the front of the cabinet.

Align the first small hole on the drawer slides with the pre-drilled hole on the front of the drawer sides.

From the inside of the drawer, secure the drawer to the slide using one M4x8mm Bolt (K) on each side, as shown.

NOTE: The drawer sides have a second pre-drilled hole toward the back of the drawer, this hole is a result of the manufacturing process and is not intended for securing the drawer to the slide.

Evenly install sixteen Tacks (D), as shown.

! SAFETY STATEMENTS & WARNINGS !

- Residential use only. Not for commercial or industrial use.
- For indoor use only.
- Ensure fittings are tight before use. Periodically check fitting to ensure they are tight.
- Only use this unit on a flat, level surface.
- Do not sit, stand or climb on the unit.
- Supervise children; never allow children to climb or sit on this unit as it may tip over and cause serious injury.
- Do not place liquids or hot items directly on the furniture.
- Never use chemical cleaning products or polishes as they may damage the finish.
- Do not exceed the weight capacity of the furniture.
- Do not overload the drawers as doing so may cause damage.
- Do not place the unit in direct sunlight.
- Avoid placing unit near heating or cooling vents as forced air is very drying and can damage the unit.
- Do not write on furniture without a padded barrier to protect the surface.

Any modification to the product or failure to follow recommended care will void the product warranty.

If you experience issues with assembly or the product was damaged during shipping, please contact our customer service team directly through one of the methods mentioned at the top of page 1. Please have the item number and order information ready to expedite response time.

! WARNING:

Manufacturer and seller expressly disclaim any and all liability from personal injury, property damage or loss, whether direct or indirect, or incidental, resulting from the incorrect attachment, improper use, inadequate maintenance, or neglect of this product.