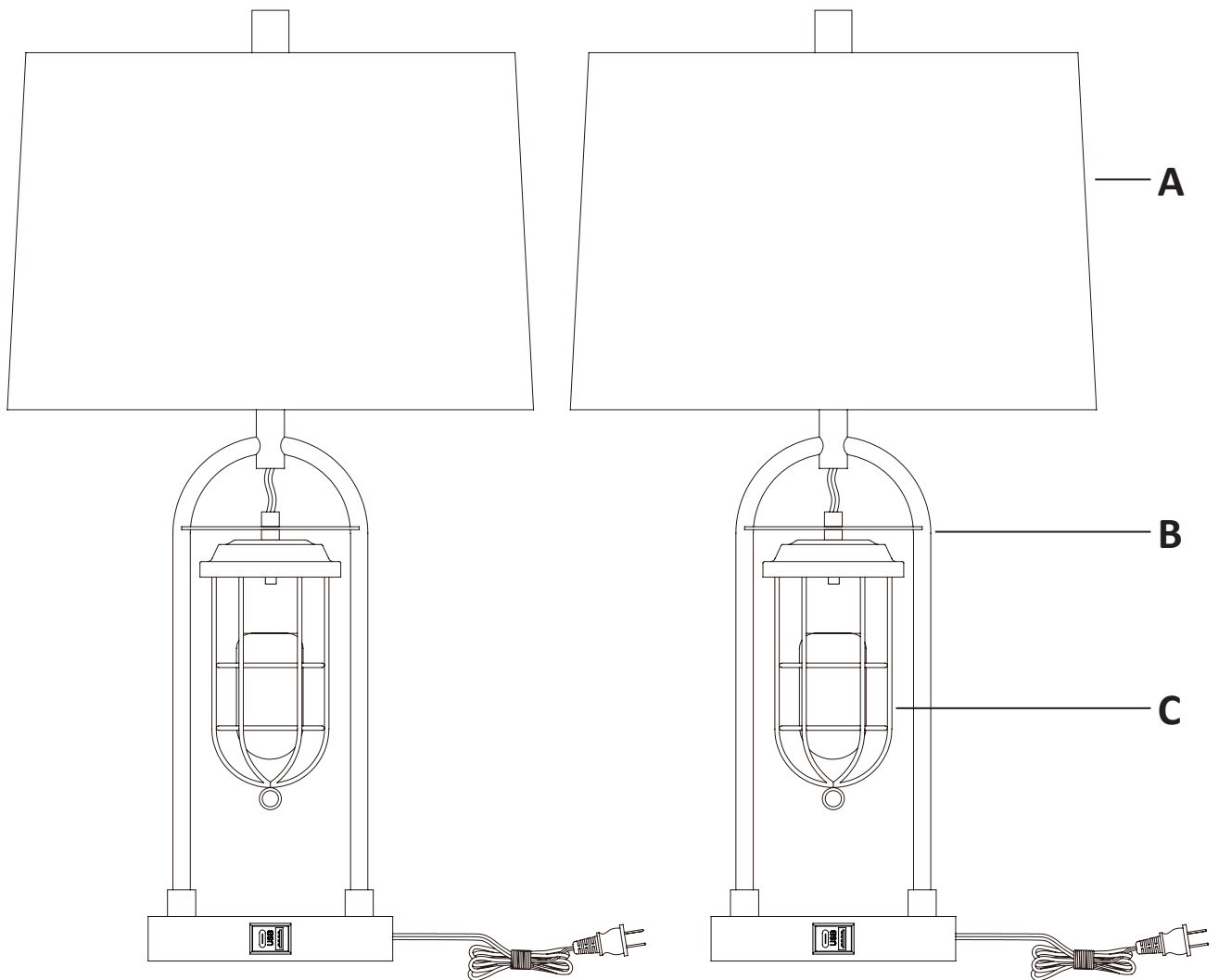
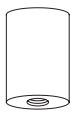
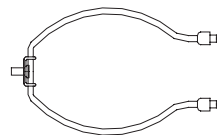




USE AND CARE MANUAL

TABLE LAMP SET OF 2
Model number: 21315



Hardware (Parts are not to scale)

<p>H1 Finial (Pre-assembled to harp (H2)) 2 pcs</p> 	<p>H2 Harp 2 pcs</p> 	<p>H3 2 W LED bulb 2 pcs</p> 	<p>H4 Cap nut (Pre-assembled to fixture body (B)) 4 pcs</p> 
---	--	---	---

THIS MANUAL CONTAINS IMPORTANT SAFETY INFORMATION. PLEASE READ AND KEEP FOR FUTURE REFERENCE.

IMPORTANT SAFETY INFORMATION

- This lamp is for indoor use only. The lamp should not be used near water. Never immerse the lamp in water or other liquids.
- Never cover the lamp with any object including cloth or paper as this is a fire hazard.
- Do not handle the bulb immediately after the light is turned off as it will be hot.
- This portable lamp has a polarized plug (one blade is wider than the other) as a safety feature to reduce the risk of electric shock. This plug will fit into a polarized outlet only one way. If the plug does not fit fully into the outlet, reverse the plug. If it still does not fit, contact a qualified electrician. Never use with an extension cord unless plug can be fully inserted. Do not alter the plug.

PREPARATION

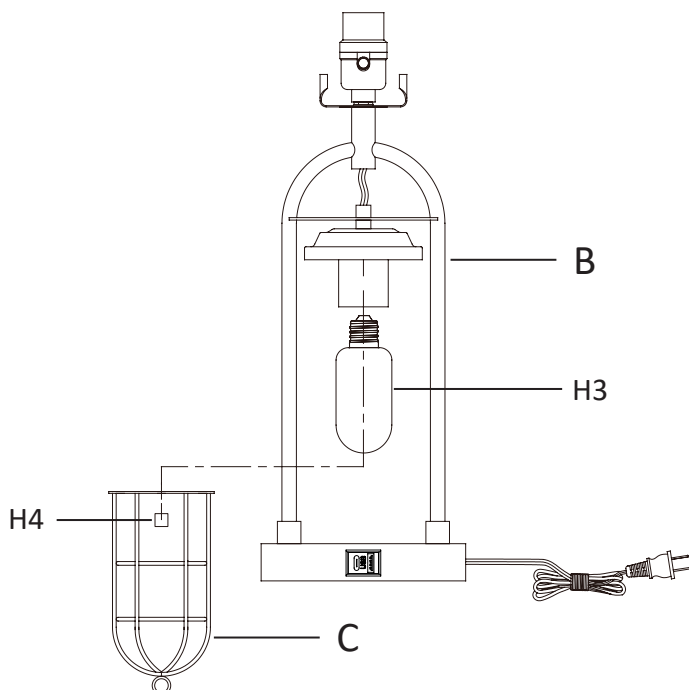
- Before beginning assembly, installation or operation of product, make sure all parts are present. Compare parts with package contents list and diagram on previous page. If any part is missing or damaged, do not attempt to assemble, install or operate the product. Contact customer service for replacement parts.

ASSEMBLY

1 Assembling the night light bulb

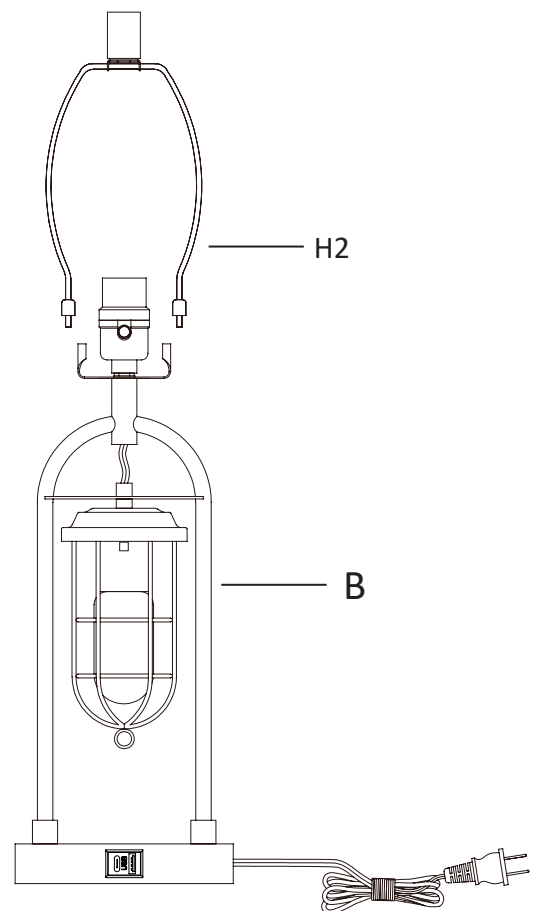
- Unscrew the cap nut (H4) from the screw of the fixture body (B) and remove the frame (C) from the fixture body (B).
- Install the night light bulb into the socket. Use one **Max 9W medium base (E26) self-ballasted LED bulb (2W LED bulb (H3) included)**.
- Place the frame (C) over the night light bulb and let the screws of the fixture body through the holes of the frame (C), then secure with the cap nuts (H4).

NOTE: You can also use one **MAX 40W medium base (E26) type "T" or type "A"** bulb. Do not exceed the recommended wattage.



2 Assembling the harp

- Insert the harp (H2) prongs into the saddle of the fixture body (B) and slide the retaining covers over joints to secure the harp.

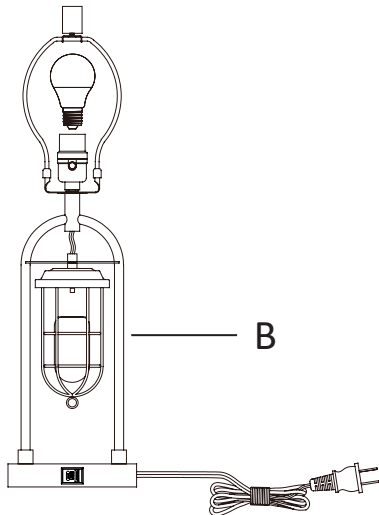


ASSEMBLY (continued)

3 Installing the light bulb

- Install the light bulb (no included) into the socket of top of the fixture body (B) Use one **Max 20W medium base (E26) self-ballasted LED bulb** (recommended).

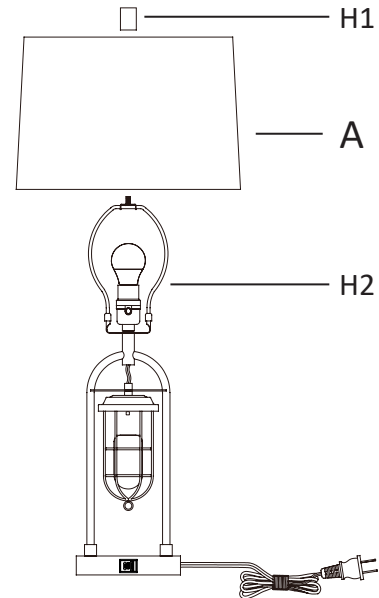
NOTE: You can also use one **MAX 100W medium base (E26) type "A"** bulb. Do not exceed the recommended wattage.



4 Assembling the shade

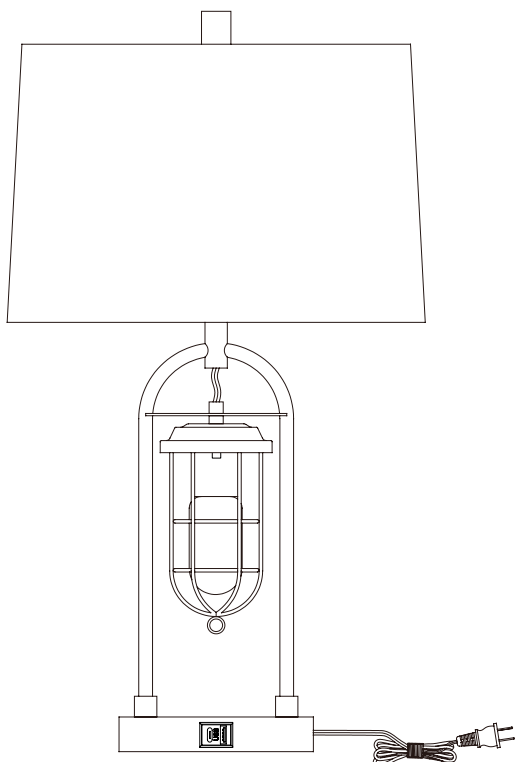
- Unscrew the finial (H1) from the harp (H2).
- Place the shade (A) onto the harp (H2) and secure with the finial (H1).

NOTE: Remove the plastic cover from the shade before using.



5 Assembling the second lamp

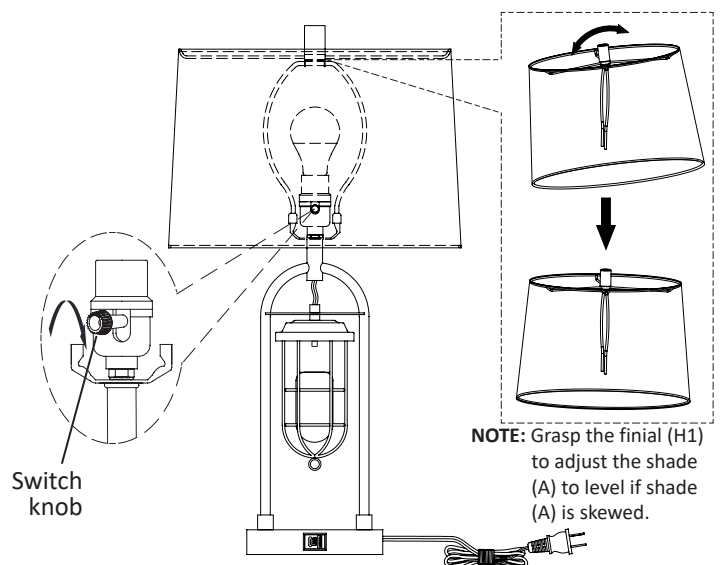
- Repeat steps 1 - 4 for the second lamp.



6 Using the table lamp

- Plug into the wall outlet, turn on the switch and enjoy. This table lamp has 4 options:
 - **The night light ON**
 - **The upper light ON**
 - **Both night light and upper light ON**
 - **Off**

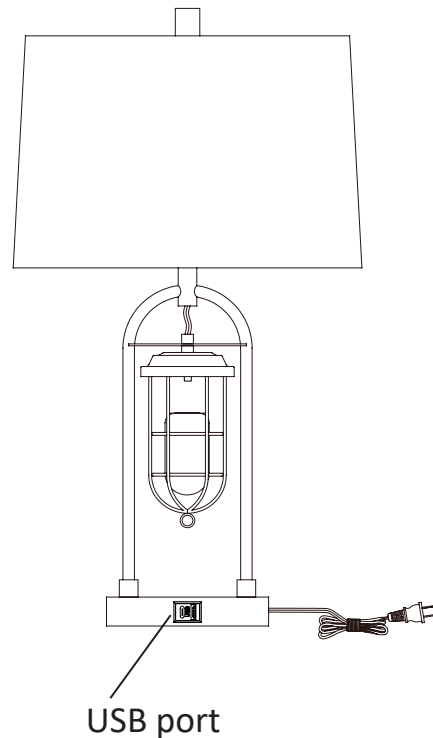
NOTE: Grasp the finial (H1) to adjust the shade (A) to level if shade (A) is skewed.



ASSEMBLY (continued)

7 Using the USB port

- On the base there is a built in Dual USB (one type A port and one type C port) for you to connect a charging cable (not included) (powers phones, tablets & more).
- The built-in USB port type A and type C rating: **5Vdc, 2.1A.**



CLEANING

- Do not use any cleaners with chemicals, solvents, or harsh abrasives. Use only a dry, soft cloth to dust or wipe carefully.
- To clean the fixture, pull the plug from the wall outlet. Use a dry or slightly dampened, clean cloth to wipe the exterior surface of the fixture.

TROUBLESHOOTING

- The light does not come on at all:
 - a) Ensure whether the bulb is burned out.
 - b) Ensure the power supply is turned on.
 - c) Ensure the cord is plugged into an outlet.
 - d) Ensure the circuit breaker is set in the "ON" position.
- Fuse blows or circuit trips when light is turned on.
 - a) Check for crossed wires, ensure wiring is correct.