

WIRE CONNECTION DIAGRAM

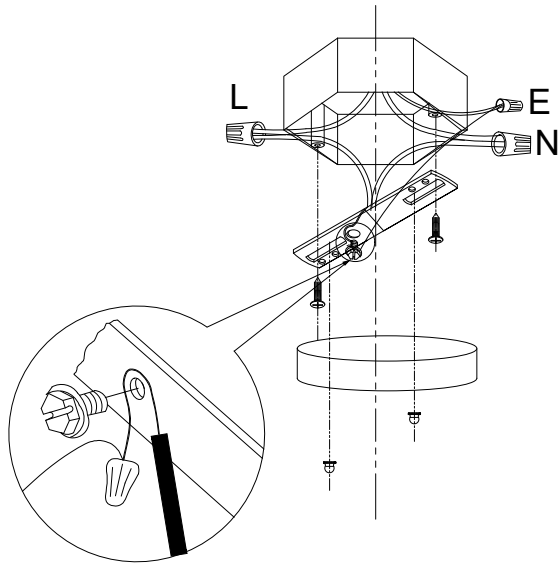
Wires met safety standards are recommended to connect the supply circuit.

CAUTION: Risk of fire

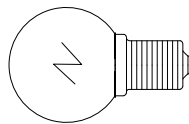


CANOPY INSTALLATION INSTRUCTIONS

Please read all instructions carefully. Before you proceed to install, make sure that the power supply is turned off and remains off until installation is complete.



Light Bulb (Not included)



E26

INSTALLATION INSTRUCTIONS

Manufacturer Part Number: E322

Customer Service Number: (832) 478-8866

Customer Service Email: WeCareWeFix@gmail.com

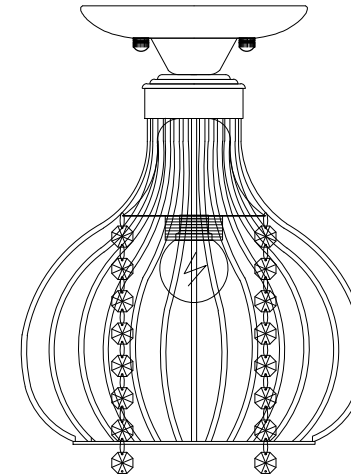
Please include your name, contact methods, product name, and model number in the email.

IMPORTANT SAFETY INSTRUCTIONS:

Please read through all the instructions carefully and completely before beginning assembly and installation

This product must be installed in accordance with installation instructions and all safety and building codes. It is strongly suggested that all direct wired fixtures be installed by a licensed electrician

Be sure the electricity to the wires you are working on is shut off; either the fuse is removed or the circuit breaker is turned off. Turning the power off using the light switch is not sufficient to prevent electrical shock



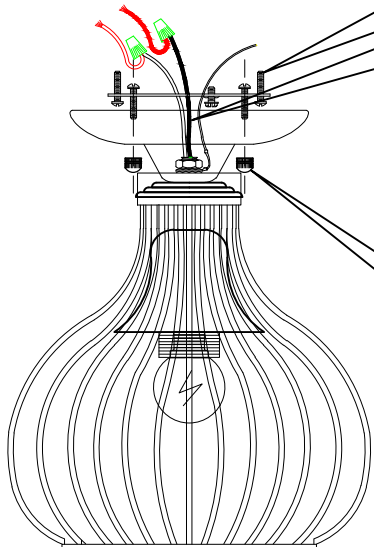
(Rated 110-120V/60Hz, bulb E26/60W maximum)

⚠ WARNING: This product can expose you to chemicals including lead, which is known to the State of California to cause cancer or birth defects or other reproductive harm. For more information go to www.P65Warnings.ca.gov

Assembly and Installation Steps

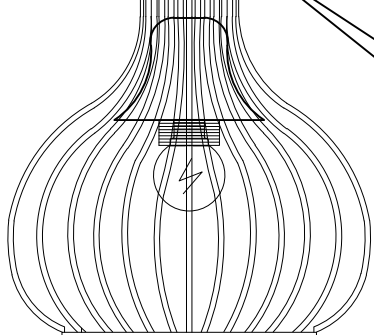
Step 1

- a. Use two 5/32 screws from the accessories plastic bag to lock the crossbar to the junction box on the ceiling.
- b. Electrical wire connection: The main wire includes 2 wires. The hot/positive wire(+) is the one including the writing, the neutral / negative wire(-) is the one excluding the writing.



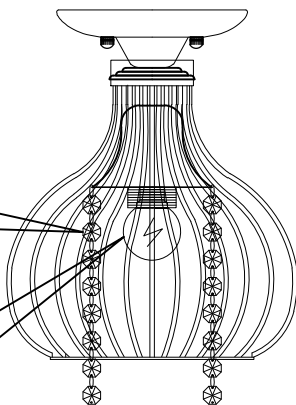
Step 2

Use two nuts from the canopy to fix the lamp fixture on the ceiling.



Step 4

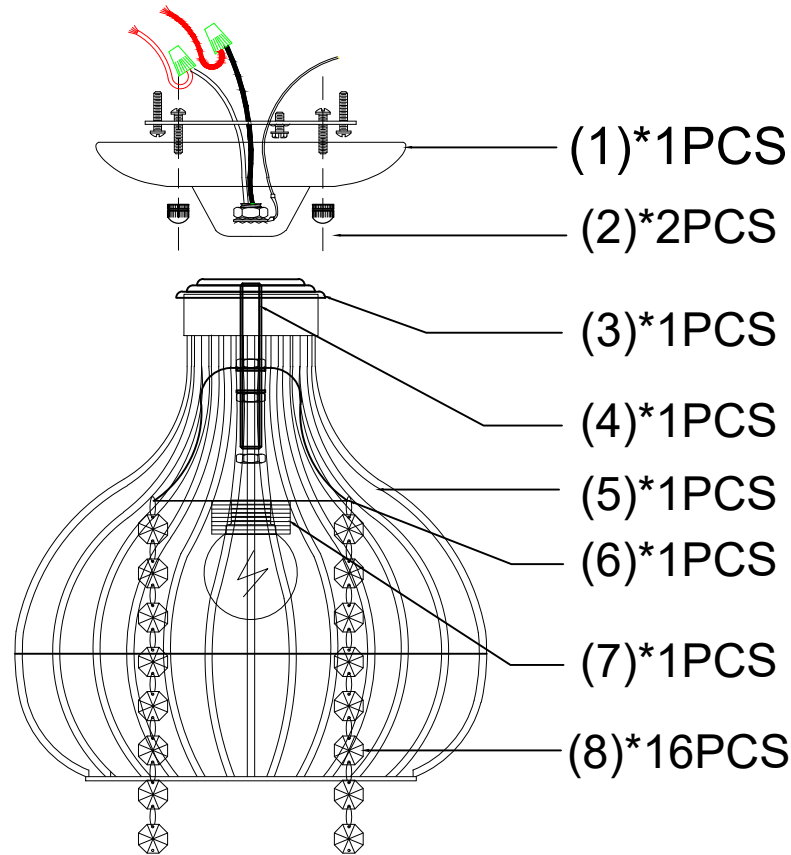
Attach each string of crystals to the metal covering by opening the ending crystal loop.



Step 3

Install 1 x E26 light bulb(Not included).

Please note: The parts in this table are completely unassembled,for illustrative purpose. In the actual product that you receive, some parts are assembled and attached together.



- (1)*1PCS
- (2)*2PCS
- (3)*1PCS
- (4)*1PCS
- (5)*1PCS
- (6)*1PCS
- (7)*1PCS
- (8)*16PCS