

TW30 Wall Control

SPECIFICATION and INSTRUCTION SHEET



DESCRIPTION: One DC Motor Ceiling Fan and Light, 6 Speed, Reversing Remote Control

FAN MODEL USED: See Catalog or visit our website www.fanimation.com for more information

How to Wire and Operate Your TW30 Wall Control

NOTE: If fan or supply wires are different colors than indicated, have this unit installed by a qualified electrician.

⚠ WARNING

To avoid possible electrical shock, be sure electricity is turned off at the main fuse box before wiring.
NOTE: If you are not sure if the outlet box is grounded, contact a licensed electrician for advise, as it must be grounded for safe operation.

1. Installing Wall Control (Figure 1):

- With electrical power still disconnected, remove the existing wall plate and switch.
- Make wiring connections with wire nuts as shown in Figure 1.
 - One black wire from wall control unit to black (TO MOTOR L).
 - One black wire from wall control unit to black wire leading to ceiling outlet box.
 - One green wire from wall control unit to ground wire leading to ceiling outlet box.
- Attach wall control unit to outlet box using the two #6-32-19mm screws provided. (Figure 2)
- Attach wall plate to the switch control and using the two #6-32-9mm screws provided.
- Restore electrical power.

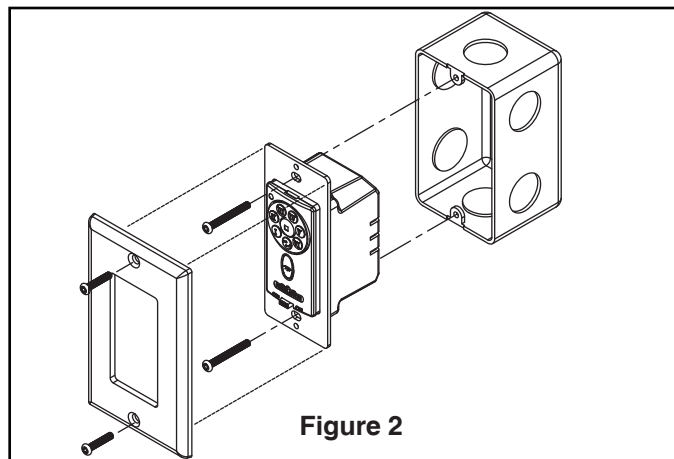
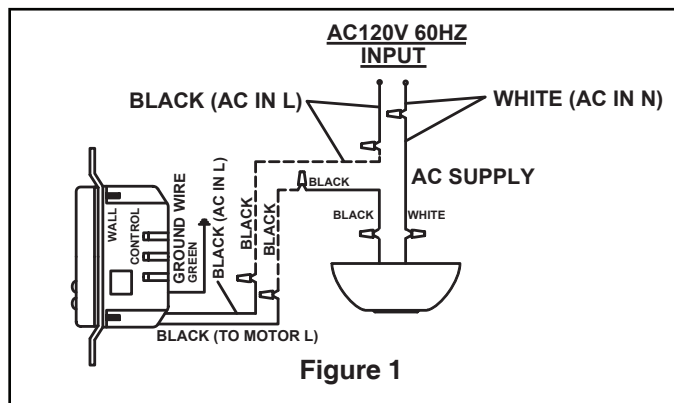
3. To make fan operational, remove the top panel then install 23A/12V battery (included) in wall control, with fan power off, arrange code switches to desired code setting, then follow the remote code setting process. (If not used for long periods of time, remove battery to prevent damage to transmitter). Store the remote away from excessive heat or humidity (Figure 3).

4. Remote Control Setting and Speed (RPM) Setting

Process :

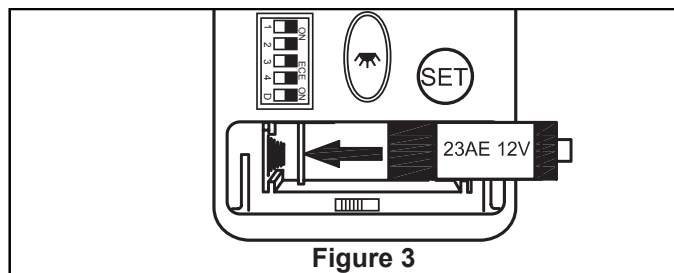
1. After installing the unit and restoring power to your fan, press and hold the “SET” button 1~5 seconds. You must press the “SET” button within 60 seconds of restoring power to the fan.
 2. The fan will start to run and begin the control setting process. The fan will run in both directions for a total of approximately 5 minutes.
 3. When the fan stops after approximately 5 minutes the control and speed setting process is complete.
- The fan is now ready for normal use.

NOTE: If you want to change the blades: turn the off → change the blades → turn the power on → replay the power setting process.



⚠ WARNING

Check to see that all connections are tight, including ground, and that no bare wire is visible at the wire connectors, except for the ground wire. Do not operate fan until the blades is in place. Noise and fan damage could result.



5. The remote buttons instruct as below:

• Fan speed:

I = minimum speed II = low speed
III = medium low speed IV = medium speed
V = medium high speed VI = high speed

• ■ Button:

This button turns the fan off.

• ↻ Reverse button:

This button is to control fan direction.

• 🏠 Light button:

The button is to control light, Infinite light levels are available by holding the light on/off button (Figure 4).

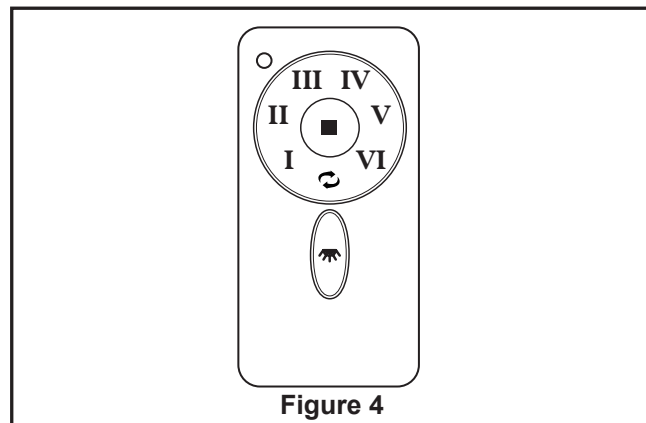


Figure 4

6. “D” and “ON” dip switch:

The “ON” selection is the light dimmable selection and is to be used with all bulbs other than CFL. The “D” selection is the light on only (no dimming function) and is to be used with CFL bulbs (as CFL bulbs cannot be dimmed). The receiver provides the following protective function: (Figure 24)

Lock position: The DC motor has a built-in safety feature against blade obstruction against obstruction during operation. If something obstructs the fan blades the motor will stop operating after 30 seconds of interruption. Please remove obstacles and reset.

Over 80W protection: When the receiver detects motor power consumption which is greater than 80W, the receiver power will shut down and fan operation will cease. Disconnect the power supply and after 5 seconds return power on to the fan.

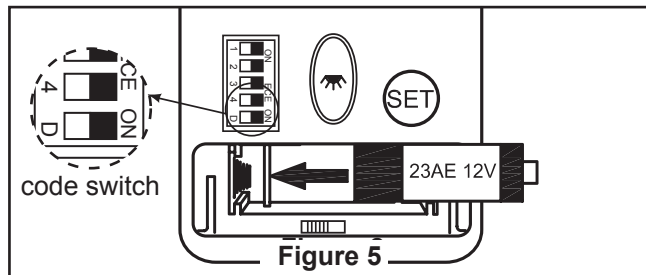


Figure 5