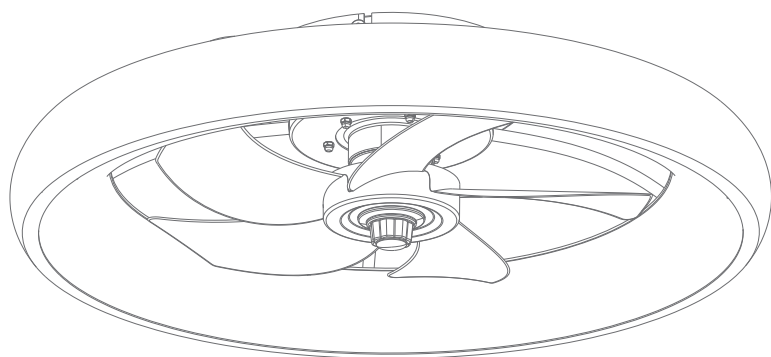


# USER MANUAL

## CEILING FAN LIGHT



**Important:** Please read and understand this manual before any assembly. Before assembling this product, please ensure that all parts are in place. Compare the details with the product display presentation. If you have any questions, don't hesitate to contact us.

## Remote control instructions:

1. Install AAA batteries (Battery not included) . If the remote control is not used for a long time, please take out the battery to prevent battery damage .
2. The remote control function is shown below .



- Link fan light (Normally, the remote control and fan light are already linked and can be used directly . If there is no link, follow the steps :  
1. Turn off the main power supply to the fan light .  
2. Turn on the main power of the fan light and press and hold this button within 5 seconds .  
3. If you hear a beep, the remote is connected to the fan light . Try using a remote control to control the fan light .)
- SETUP** Link fan light (Normally, the remote control and fan light are already linked and can be used directly . If there is no link, follow the steps :  
1. Turn off the main power supply to the fan light .  
2. Turn on the main power of the fan light and press and hold this button within 5 seconds .  
3. If you hear a beep, the remote is connected to the fan light . Try using a remote control to control the fan light .)
  - ALL OFF** Turn off the lights and fans together
  - ON/OFF** Turn on the light / Turn off the light
  - FAN OFF** Turn off the fan
  - Color** Color temperature switch (white light, warm light, natural light)
  - Light** Lighten the lights/dim the lights
  - Color** Turn down / up the color temperature of the light
  - F/R** Positive fan rotation / Fan reversal
  - ★** The light switches to night light mode
  - 1 2 3 4 5 6** Different fan speeds  
1 gear has the least wind , 6 gear has the most wind.
  - 1H 2H** Timing function 1H/2H

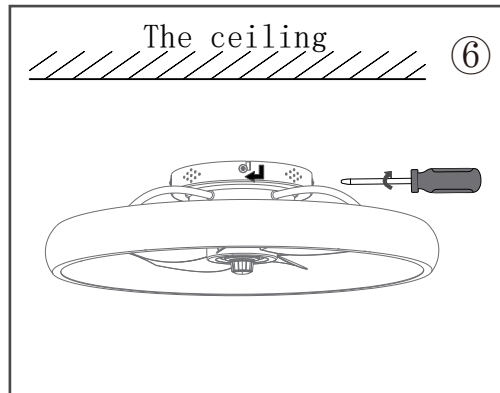
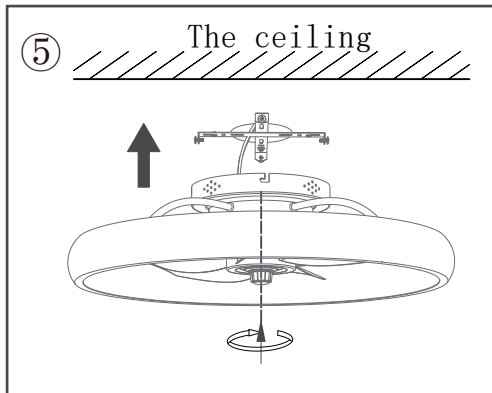
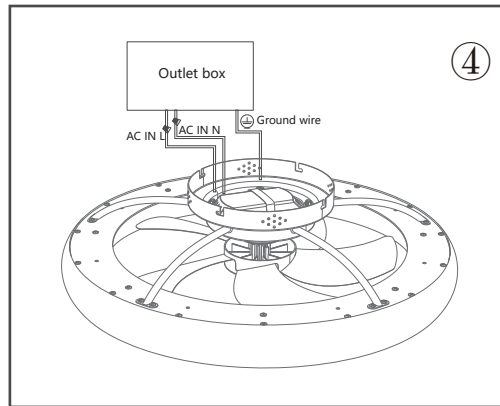
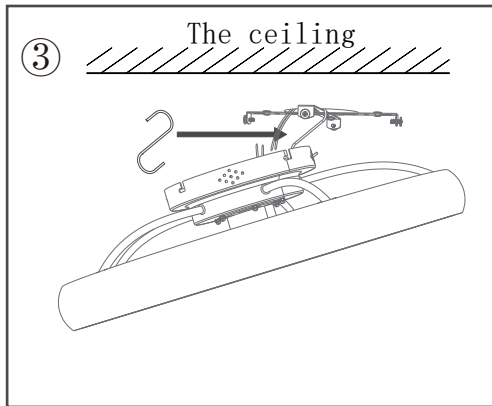
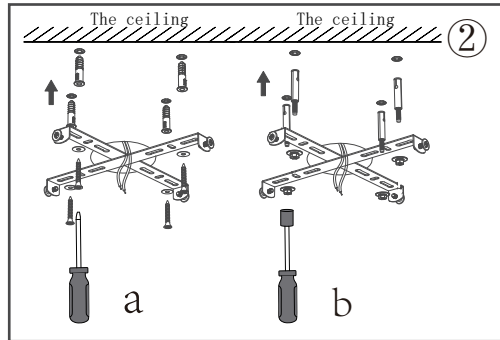
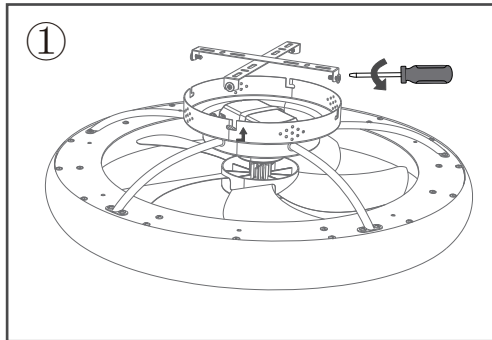
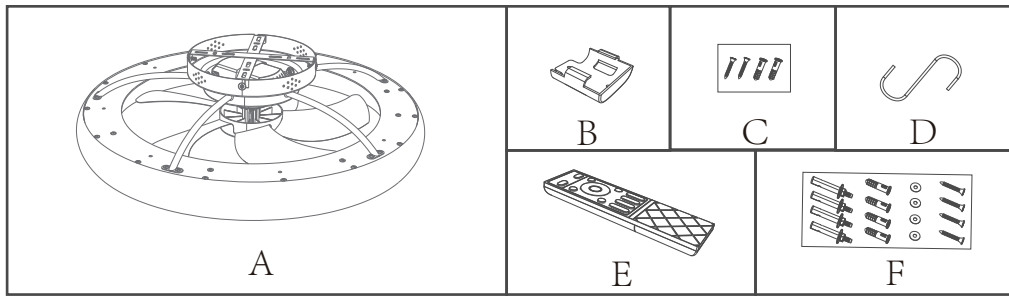
## Mobile phone APP control instructions:

### App Operation



1. APP download: Scan the QR code and select the APP version to download.
2. Pairing: After turning off the power of the fan light, then turn on the power, click the "PairCode" button on the APP within 5 seconds, and hear the beep, then the pairing is successful.
3. After the pairing is complete, you can control the device with the APP.

**Note:** APP connection method is Bluetooth.



## Preparations:

1.Prepare the required tools.

Star-head Screwdriver	
Wire-stripping Pliers	
Stepladder	
Electrical Tape	

2.Turn off the switch.

3.Put all the parts in order.

## Installation procedure:

- 1.Twist the hanging plate clockwise and take it off from the ceiling fan light.
- 2.Tighten the part in a counterclockwise direction to make it firm.
3. a: If the roof is a wood ceiling, install the bracket as shown in picture A . Make sure the bracket is securely secured .  
b: If the roof is a concrete ceiling, install the bracket as shown in picture B . Make sure the bracket is securely secured .
- 4.Hook one end of the S-shaped fitting to the light fixture and the other end to the bracket . Just like the picture .
- 5.a.Connect the black live wire marked "L" on the receiver to the live wire (typically black) on the outlet box.  
b.Connect the white neutral wire marked "N" on the receiver to the neutral wire (typically white) on the outlet box.  
c.Connect the ground wire (bare wire) from the base of the ceiling fan base with the ground wire (bare wire) of the outlet box.
6. Remove the S-shaped hook and turn the ceiling fan light clockwise on the hanging plate and clamp it tightly according to the bayonet.
7. Tighten the screw . Ensure secure installation .
8. Turn on the switch . The light fixture was successfully installed ! ! !

## Specifications

Product Name	Ceiling Fan Light	Item Size	19.7/24.7in*5.7in
Input Voltage	90V-260V	LED	30-60W
Dimensions	10*10ft-13*13ft	Valid Remote Distance	10M
Battery Type	AAA*2	Rotating Speed(rpm)	503-853r/min
Reversible	Yes	Fan Timing	1H/2H