

# DV45H7200EW

Samsung Top-Load Electric Dryer

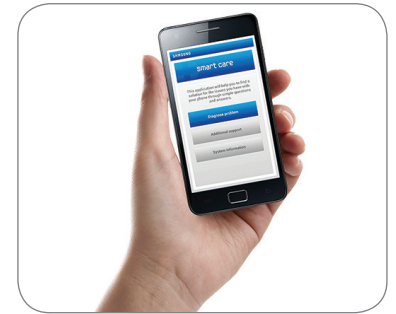
**7.4 cu. ft. Capacity DOE**

## Features

- Smart Care
- Interior Drum Light
- 11 Preset Drying Cycles
- 7 Options
- 4 Temperature Settings
- 4-Way Venting
- Sensor Dry – Detects Moisture and Adjusts Drying Time
- Reversible See-Through Door

## Convenience

- Child Lock
- Filter Check Indicator



Smart Care



Sensor Dry

## Available Color



## Signature Features

### SMART CARE

- Troubleshoot with your smartphone.
- Perform a quick diagnosis of your washer and dryer right from your smartphone.\*

\*Available for iPhone 4/4S/5/5S and Galaxy S1/S2/S3/S4 NOTE/NOTE2.

### SENSOR DRY

- Automatically adjusts drying time by sensing moisture so your clothes don't over or under dry.

### 7.4 CU. FT. CAPACITY

- With 7.4 cu. ft. capacity, you can dry more laundry in less time.



**SAMSUNG**

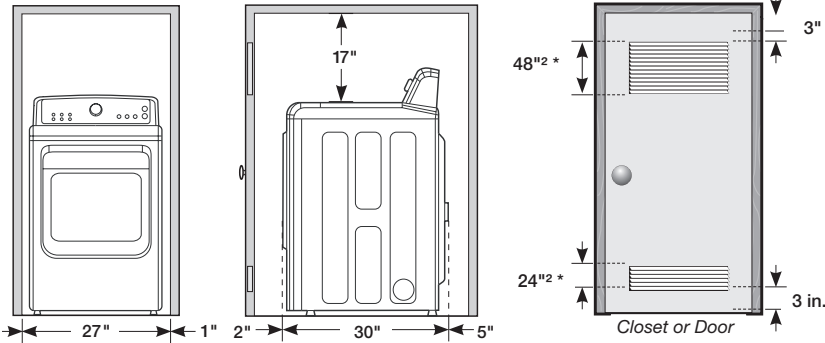
# DV45H7200EW

Samsung Top-Load Electric Dryer

## Installing Your Dryer

Recessed Area

Side View Confined



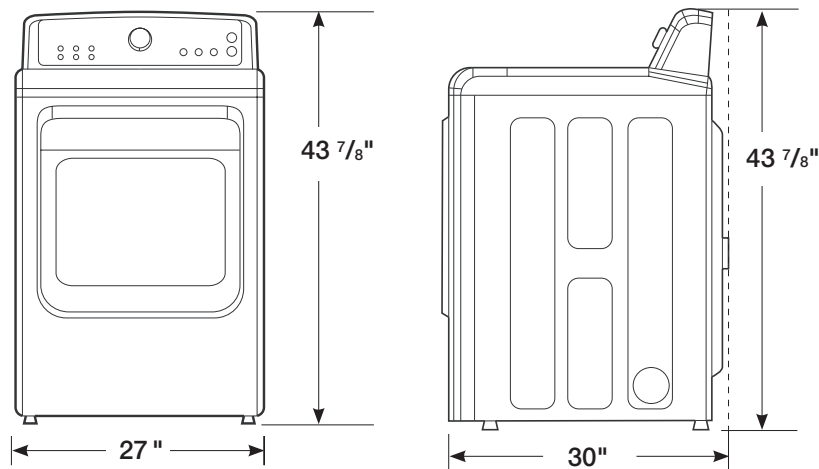
### Minimum clearances for closets and alcove:

Sides - 1"  
Top - 17"  
Rear - 5"  
Closet Front - 2"

If the washer and dryer are installed together, the closet front must have at least a 72 in<sup>2</sup> (465cm<sup>2</sup>) unobstructed air opening. Your washer alone does not require a specific air opening.

\* Required spacing  
\*\* External exhaust elbow requires additional space.

## Dimensions



## 7.4 cu. ft. Capacity DOE

### 4-Way Venting

#### 11 Preset Dry Cycles:

Normal, Heavy Duty, Towels, Permanent Press, Bedding, Delicates, Sanitize, Time Dry, Air Fluff, Quick Dry, Wrinkle Release

#### 7 Options:

Mixed Load Bell, Wrinkle Prevent, Adjust Time, Child Lock, Sound On/Off, Smart Care, Drum Light

#### 4 Temperature Settings:

High, Medium, Low, Extra Low

#### 4 Dry Levels:

Very Dry, More Dry, Normal Dry, Damp Dry

#### 2 Signal Level Settings:

On/Off

### Warranty

One (1) Year All Parts and Labor

Two (2) Years Control Board

### Product Dimensions & Weight (WxHxD)

Dimensions: 27" x 43 7/8" x 30"

Weight: 126 lbs

### Shipping Dimensions & Weight (WxHxD)

Dimensions: 29 1/2" x 46 1/2" x 31 1/8"

Weight: 134 lbs

#### Electric

White

#### Model #

DV45H7200EW

#### UPC Code

887276963907

#### Gas

White

#### Model #

DV45H7200GW

#### UPC Code

887276963921

### Matching Washer

White

WA45H7200AW

887276857954

**SAMSUNG**

Actual color may vary. Design, specifications, and color availability are subject to change without notice. Non-metric weights and measurements are approximate.

©2014 Samsung Electronics America, Inc. 85 Challenger Road, Ridgefield Park, NJ 07660. Tel: 800-SAMSUNG. samsung.com. Samsung is a registered trademark of Samsung Electronics Co. Ltd.