

## Modern 2-Light Rattan Semi-Flush Mount

**Caution:** Please turn off power before installation and read the manual carefully, we advise you contact professional electricians to install for safety purpose.

### Product Features

Style: Modern/Contemporary

Material: Metal, Wood

Base Type: E26

Light Source Included: No

Voltage: 120VAC

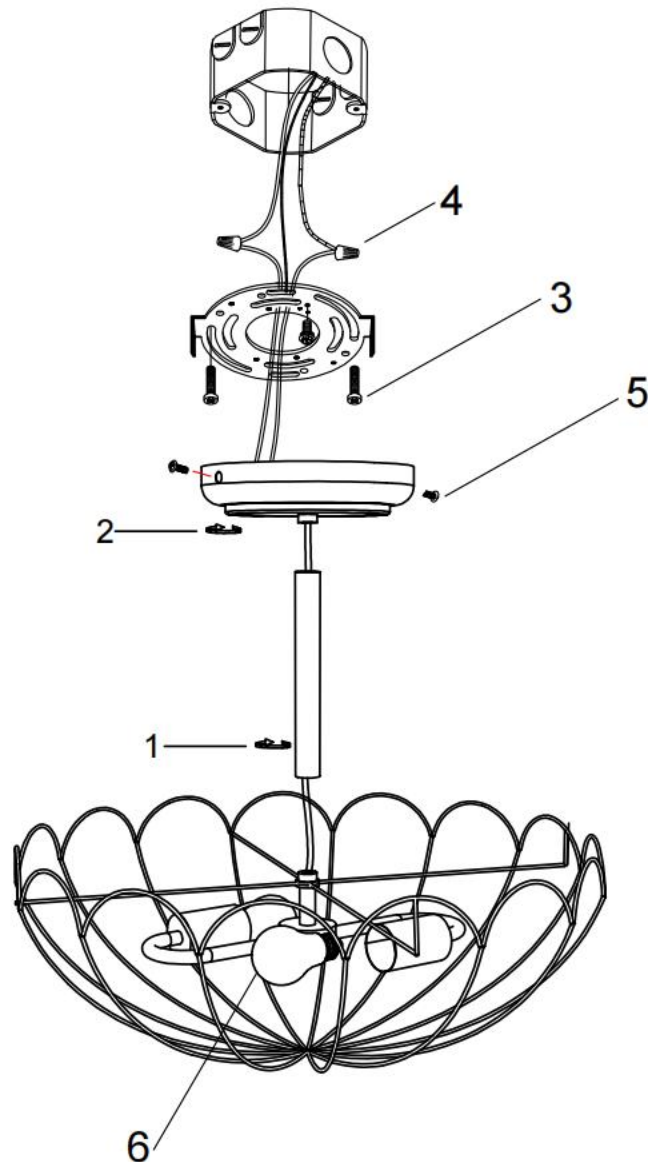
Wattage: 60W

### Package includes

1 x Ceiling Light

1 x Accessories Kit

1 x User's Manual



### Installation Instructions

1. Thread the power wire through the hanging rod and tighten the hanging rod to the top of the lampshade.
2. Insert the power wire through the center hole of the canopy and tighten the canopy to the top of the hanging rod.
3. Secure the mounting plate to the junction box with screws.
4. Remove the power wires from the junction box. Use the wiring cap to connect the wire as follows:
  - Connect the white wire to the white wire (Neutral).
  - Connect the black wire to the black wire (Live).
  - Connect the ground wire to the ground wire of the junction box.Tuck the wires back into the junction box carefully. Ensure no wires are exposed during wiring.
5. Fix the canopy to the mounting plate by using cap nuts.
6. Install the light bulb (not included).

**Note:** Please use this product accordingly to its intended purpose, do not retrofit or remodeling the product. The warranty does not cover if the failure is caused by the third party product, or natural disasters.

Made in China