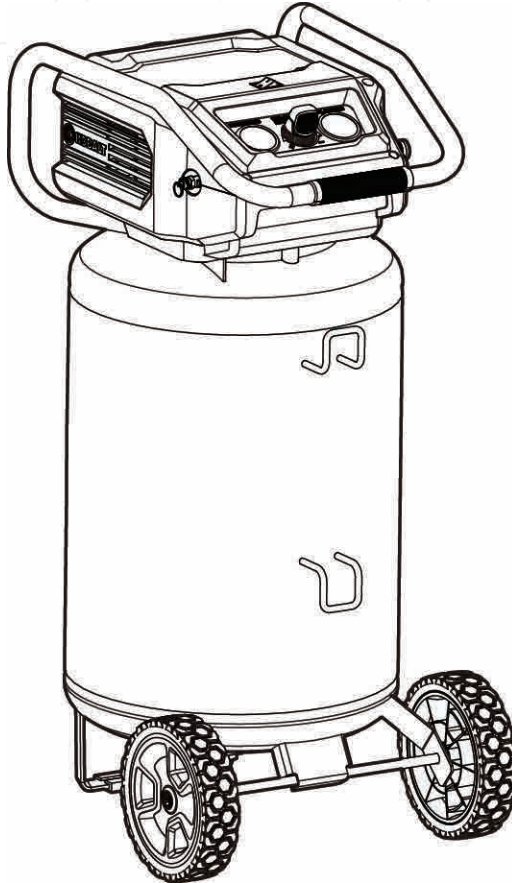




NEXT GENERATION OF TOUGH TOOLS™



ITEM #0470443

20 GAL. OIL-FREE AIR COMPRESSOR

MODEL #0332041

Français p. 13

Español p. 25

KOBALT® and the K Design® are registered trademarks of LF, LLC. All Rights Reserved.

ATTACH YOUR RECEIPT HERE

Serial Number _____ Purchase Date _____



Questions, problems, missing parts? Before returning to your retailer, call our customer service department at 1-888-3KOBALT (1-888-356-2258), 8 a.m. - 8 p.m., EST, Monday - Friday.

TABLE OF CONTENTS

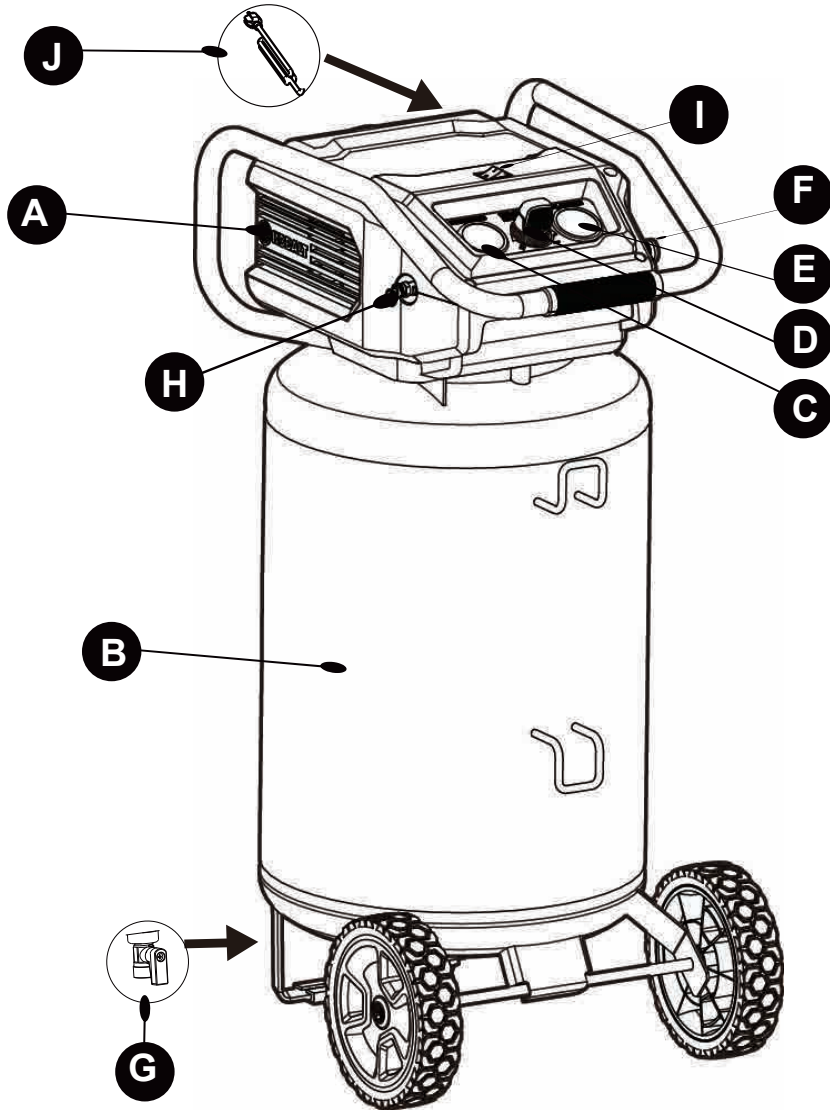
Specifications	2
Package Contents	3
Parts Description.....	4
Safety Information	5
Preparation	6
Operating Instructions	7
Care and Maintenance.....	8
Troubleshooting	9
Warranty	11
Replacement Parts List	12

PRODUCT SPECIFICATIONS

Model No.	0332041
Pump	Oil free, direct drive, single stage
Motor	1.8 Hp
Voltage/Amps/Hz	120/12.5/60
Air Tank Capacity	20 gallon
Cut-in Pressure	120 PSI
Cut-out Pressure	150 PSI
CFM @ 40 PSI	5.0
CFM @ 90 PSI	4.0
Power Cord	SJT 16 AWG / 72 in. length

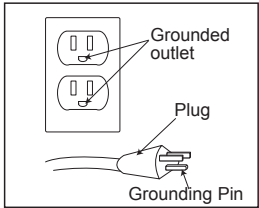
NOTE: Avoid use of extension cords. If use of an extension cord cannot be avoided, the cord should be a minimum wire size of 12 AWG and no longer than 30 feet. Use only a 3-wire extension cord that has a 3-blade grounding plug and a 3-slot receptacle that will accept the plug on the product.

PACKAGE CONTENTS



PART	DESCRIPTION	QTY
A	Electric Motor & Air Compressor Pump	1
B	Air Tank	1
C	Tank Pressure Gauge	1
D	Air Pressure Regulator	1
E	Regulated Pressure Gauge	1
F	Quick Coupler	1
G	Air Tank Drain Valve	1
H	Pressure Relief Valve	1
I	ON/OFF Switch	1
J	Power Cord	1

PARTS DESCRIPTION


PART	PART NAME	PART DESCRIPTION
A	Electric Motor Air Compressor Pump	The motor is used to power the pump. It contains a thermal overload protector. If the motor overheats for any reason, the thermal overload protector will shut it down in order to prevent the motor from being damaged. The pump is used to compress the air and discharge it into the tank via the piston moving up and down in the cylinder.
B	Air Tank	The tank is used to store the compressed air.
C	Tank Pressure Gauge	The gauge is used to measure the stored air pressure level of the tank. It is not adjustable by the operator and does not indicate line pressure.
D	Air Pressure Regulator	The regulator is used to adjust line pressure to the tool you are using. Turn the knob clockwise to increase pressure and counterclockwise to decrease pressure.
E	Regulated Pressure Gauge	The gauge is used to measure the regulated outlet pressure.
F	Quick Coupler	For this compressor, the quick coupler is also used as the air line outlet. The outlet is used to connect the 1/4 in. NPT air hose.
G	Air Tank Drain Valve	The drain valve is used to remove moisture from the air tank after the unit is shut off.
H	Pressure Relief Valve	The valve is used to prevent system failures by relieving pressure from the system. If the pressure reaches the preset level and the pressure switch will not shut down the motor, it will automatically pop open. You can also pull the ring on the valve to open.
I	On/Off Switch	This switch turns on the compressor and is operated manually. When in the ON position, it allows the compressor to start up or shut down automatically, without warning, upon air demand. ALWAYS set this switch to OFF when the compressor is not being used and before unplugging the compressor.
J	Power Cord	This product is for use on a nominal 120-volt circuit and should be grounded. A cord with a grounding plug as illustrated must be used. Make sure that the product is connected to an outlet that has the same configuration as the plug. No adapter should be used with this product. 


SAFETY INFORMATION


Please read and understand this entire manual before attempting to assemble, operate or install the product. If you have any questions regarding the product, please call customer service at 1-888-3KOBALT, 8 a.m. - 8 p.m., EST, Monday - Friday.

Safety Symbols

The purpose of safety symbols is to attract your attention to possible dangers. The safety symbols and the explanations that accompany them deserve your careful attention and understanding. The safety warnings DO NOT, by themselves, eliminate any danger. They are not substitutes for proper accident-prevention measures.

 **DANGER:** Someone will be seriously injured or killed if the safety information is not followed.

 **WARNING:** Someone will be seriously injured or killed if the safety information is not followed.

 **CAUTION:** Someone may be injured if the safety information is not followed.

User Safety

DANGER

Improper installation of the grounding plug will result in a risk of electric shock. If repair or replacement of the cord or plug is necessary, do not connect the grounding wire to either flat blade terminal. The grounding wire has a green outer surface.

WARNING

- Risk of explosion or fire. Never spray flammable liquids in a confined area. It is normal for the motor and pressure switch to produce sparks while operating. If sparks come into contact with vapors from gasoline or other solvents, they may ignite and cause a fire or explosion. Do not smoke while spraying. Do not spray where sparks or flames are present. Keep the compressor as far from the spray area as possible. Always operate the compressor in a well-ventilated area.
- Risk of electric shock. A licensed electrician must install all wiring in accordance with all local and national codes. To avoid electric shock, never use an electric air compressor outdoors when it is raining or on a wet surface.
- Risk of bursting. Rust can weaken the tank. Drain the condensed water from the tank after each use to reduce rusting. Do not weld, drill or modify the air tank of this compressor. Welding or modifications on the air tank can severely impair tank strength and cause an extremely hazardous condition. If a leak is detected in the tank, replace the tank immediately.
- Risk of injury. Always shut off the compressor, remove the plug from the outlet and bleed all pressure from the system before servicing the compressor or when the compressor is not in use. Do not use the unit with the shrouds removed. Contact with moving parts could cause serious injury.
- Risk of bursting. Check the maximum pressure rating in the manual or the serial tag label. Compressor outlet pressure must be regulated so as to never exceed the maximum pressure rating. Relieve all pressure through the hose before removing or attaching accessories.



SAFETY INFORMATION

- Risk of bursting. Do not adjust the pressure switch or relief valve for any reason. They have been preset at the factory for the maximum pressure of this unit. If the pressure switch or the relief valve are tampered with, personal injury or property damage may occur.
- Risk of burns. The pump and manifold generate high temperatures. To avoid burns or other injuries, do not touch the pump, manifold or transfer tube while the unit is running. Allow the parts to cool before handling or servicing. Keep children away from the compressor at all times.
- Risk to breathing. Read all labels when you are spraying paints or toxic materials, and follow the safety instructions. Use a respirator mask if there is a chance of inhaling anything you are spraying. Never directly inhale the compressed air produced by a compressor.
- Risk of eye injury. Always wear ANSI 287.1 approved safety goggles when using an air compressor. Never point the nozzle or sprayer toward a person or any part of the body. If the spray penetrates the skin, serious injury may occur.
- Never exceed the maximum working pressure of the tool.
- Never attempt to open the drain valve when the tank pressure is more than 10 PSI.
- You can create dust when you cut, sand, drill or grind materials such as wood, paint, metal, concrete, cement, or other masonry. This dust often contains chemicals known to cause cancer, birth defects, or other reproductive harm. **Wear protective gear.**

CAUTION

- Pull the pressure relief valve ring daily to ensure the valve is functioning properly.
- The unit must be kept a minimum of 12 in. from the nearest wall, in a well-ventilated area for cooling.
- Protect the air hose and electric cord from damage and puncture. Inspect them weekly for weak or worn spots and replace if necessary.
- Always wear hearing protection when using an air compressor. Failure to do so may result in hearing loss.
- Operation of the unit should always be in a position that is stable. Never use the unit on a rooftop or elevated position that could allow the unit to fall or be tipped over.

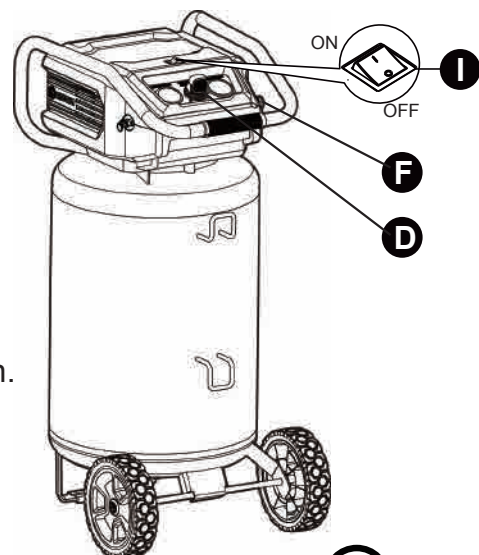
PREPARATION

Preparing for Startup



WARNING: Risk of bursting. Too much air pressure causes a hazardous risk of bursting. Check the manufacturer's maximum pressure rating for air tools and accessories. The regulator outlet pressure must never exceed the maximum pressure rating.

- a. Set the ON/OFF switch (I) to the O (off) position.
- b. Turn the air pressure regulator knob (D) counter clockwise until it stops.
- c. Attach air hose/accessories or air tools (not included) to the quick coupler (F).



kobalttools.com



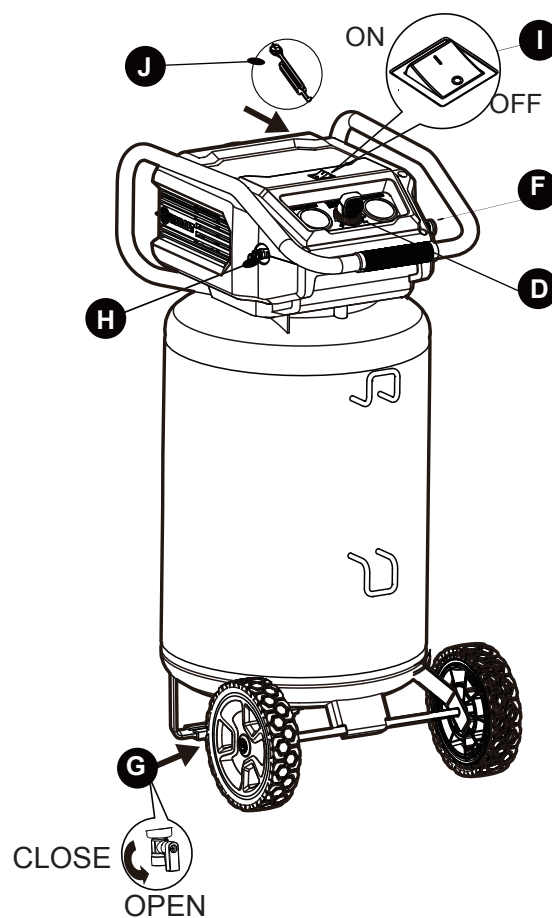
OPERATING INSTRUCTIONS

1. Starting up the Compressor

WARNING: High temperatures are generated by the electric motor and the pump. To prevent burns or other injuries, DO NOT touch the compressor while it is running. Allow it to cool before handling or servicing. Keep children away from the compressor at all times.

WARNING: When adjusting from a higher to a lower pressure, turn the knob counterclockwise past the desired setting. Then turn clockwise to reach the desired pressure. Do not exceed operating pressure of the tool or accessory being used.

- Close the tank drain valve (G) by turning clockwise.
- Plug in the power cord (J).
- Set the ON/OFF switch (I) to the I (on) position and allow tank pressure to build. Motor will stop when the tank reaches “cut-out” pressure.
- Turn the air pressure regulator knob (D) clockwise until desired pressure is reached.
- The compressor is ready for use.



2. Shutting Down the Compressor

WARNING: To avoid personal injury, always shut off and unplug the unit, and relieve all air pressure from the system before performing any service on the air compressor.

WARNING: Risk of unsafe operation. The unit cycles automatically when power is on. When performing maintenance, you may be exposed to voltage sources, compressed air or moving parts. Personal injuries can occur. Before performing any maintenance or repair, disconnect the power source from the compressor and bleed off all air pressure.

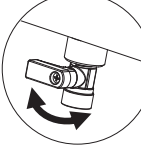
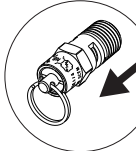
CAUTION: Escaping air and moisture can propel debris that may cause eye injury. Wear safety goggles when opening the drain valve.

- Set the ON/OFF switch (I) to the O (off) position.
- Unplug the power cord (J).
- Reduce the pressure in the tank through the outlet hose. Pulling the pressure relief valve ring (H) and keeping it open will also reduce the pressure in the tank.
- Tip the compressor so the tank drain valve is at the bottom of the tank. Then open the tank drain valve counterclockwise to allow moisture to drain from the tank.


CARE AND MAINTENANCE

⚠ WARNING: To avoid personal injury, always shut off and unplug the unit and relieve all air pressure from the system before performing any service on the air compressor.

Regular maintenance will ensure trouble-free operation. The items listed here should be inspected on a regular basis.

- On a daily basis, drain the tank to prevent corrosion from forming inside the tank. Drain the condensation at the end of every day. Wear protective goggles. Relieve the air pressure in the system and then open the drain valve (G) on the bottom of the tank. 
- On a daily basis, pull the pressure relief valve (H) to ensure that it is operating properly and to clear the valve of any possible obstructions. 
- Check all connections to ensure they are tight. A small leak from any part of the compressor will reduce the unit's performance. Spray a small amount of soapy water around the area of the suspected leak with a spray bubble. If bubbles appear, repair or replace the faulty component. Do not overtighten any connections.
- Before storing the unit for a long period, do the following:
 - Use an air blow gun (not included) to clean all dust and debris from the compressor.
 - Disconnect and coil the power cord.
 - Pull the pressure relief valve to release all pressure from the tank.
 - Drain all moisture from the tank.
 - Cover the entire unit to protect it from moisture and dust.

TROUBLESHOOTING

PROBLEM	POSSIBLE CAUSE	CORRECTIVE ACTION
<p>There is low pressure, not enough air, or the compressor does not stop.</p>	<ol style="list-style-type: none"> 1. The tank drain valve is open. 2. There is a leak in the fittings. 3. There is a prolonged or excessive use of air. 4. The compressor is not large enough. 5. There is a hole in the air hose. 6. The tank leaks. 7. The seals are blown. 8. The valve leaks. 9. There is a leaking or worn piston. 	<ol style="list-style-type: none"> 1. Close the drain valve. 2. Check fittings with soapy water. Tighten or reseal leaking fittings. DO NOT OVERTIGHTEN. 3. Decrease the amount of air used. 4. Check the air requirement of the accessory. If it is higher than the CFM and the pressure supplied by the compressor, you need a larger compressor. Most accessories are rated at 25% of the actual CFM while running continuously. 5. Check and replace if necessary. 6.  WARNING: Immediately replace the tank. DO NOT attempt to repair. 7. Replace the compressor assembly. 8. Replace the compressor assembly. 9. Replace the compressor assembly.
<p>Air leaks from the regulator or the regulator does not regulate air pressure.</p>	<ol style="list-style-type: none"> 1. The internal parts of the regulator are dirty or damaged. 	<ol style="list-style-type: none"> 1. Replace the regulator or internal parts.
<p>The regulated pressure gauge reading drops when the air accessory is being used.</p>	<ol style="list-style-type: none"> 1. This is normal. 2. The compressor is not large enough. 	<ol style="list-style-type: none"> 1. If the pressure drops too low, adjust the regulator while the accessory used. 2. Check the air requirement of the accessory. If it is higher than the CFM and the pressure supplied by the compressor, you need a larger compressor. Most accessories are rated at 25% of the actual CFM while running continuously.

TROUBLESHOOTING

PROBLEM	POSSIBLE CAUSE	CORRECTIVE ACTION
The pressure relief valve opens.	<ol style="list-style-type: none"> 1. The tank pressure exceeds the normal rating pressure. 2. The pressure switch is stuck. 	<ol style="list-style-type: none"> 1. Replace the pressure switch. 2. Replace the pressure switch.
The motor will not run.	<ol style="list-style-type: none"> 1. Tank pressure exceeds the preset pressure switch limit. 2. The fuse is blown or the circuit breaker tripped. 3. The check valve is stuck in the open position. 4. The wire gauge in the cord is wrong or the extension cord length is excessive. 5. There are loose electrical connections. 6. The motor's thermal overload protection has tripped. 7. The motor, capacitor or safety valve is defective. 	<ol style="list-style-type: none"> 1. The motor will start automatically when the tank pressure drops below the tank cut-in pressure. 2. Replace the blown fuse or reset the circuit breaker. Do not use a fuse or circuit breaker with a higher rating than specified for your branch circuit. Check for proper fuse; type T fuse is acceptable. Check for low voltage and proper extension cord size. Disconnect other applications from the circuit. Operate the compressor on a dedicated circuit. 3. Remove and clean or replace. 4. Check for proper gauge and extension cord length. 5. Contact an authorized service center. 6. Turn the air compressor off, unplug the power cord and wait until the motor has cooled down. Plug in the power cord only after the motor has cooled down, waiting at least five minutes to make sure the thermal overload protector has recovered. 7. Have the compressor serviced by a qualified technician.

ONE YEAR LIMITED WARRANTY

This product is guaranteed for a period of one year from the date of original retail purchase against defects in materials and workmanship.

Subject to the conditions and limitations described below, this product, if returned to us with proof of purchase within the stated warranty period and if covered under this warranty, be repaired or replaced (with the same model, or one of equal value or specification), at our option. We will bear the cost of any repair or replacement and any cost of labor relating thereto.

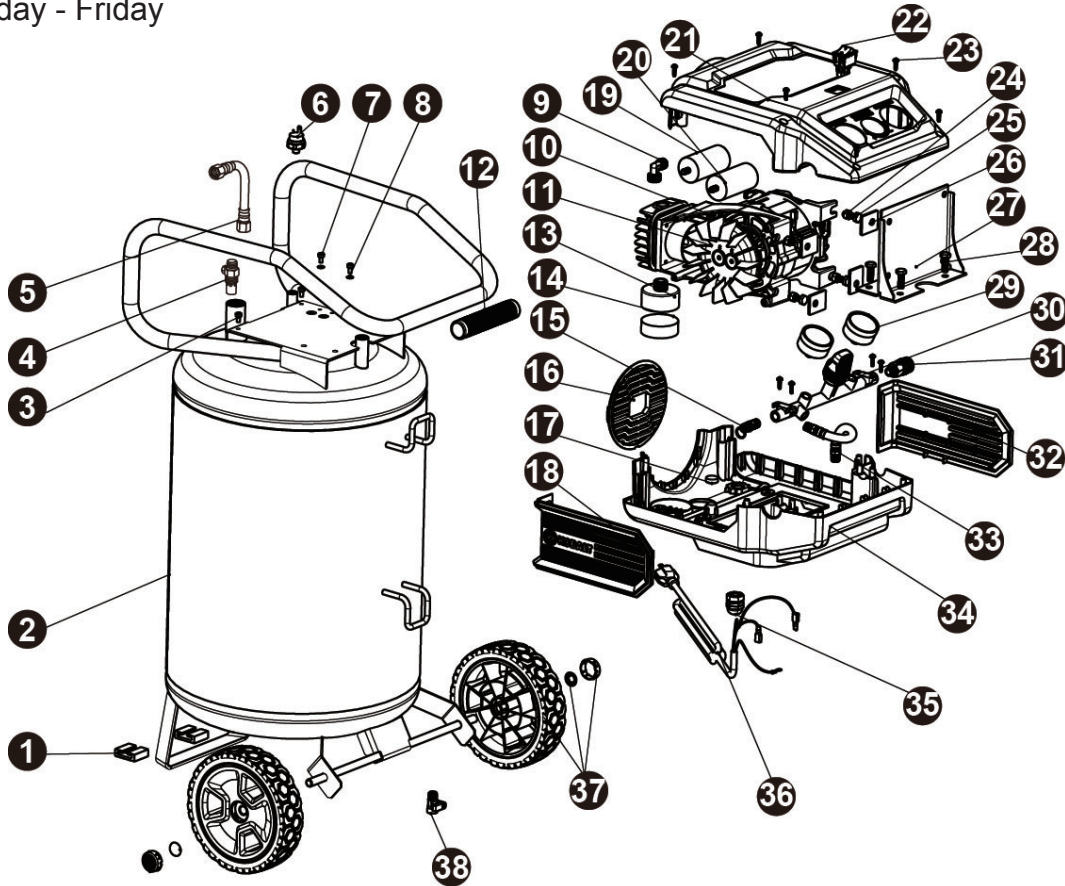
This warranty is subject to the following conditions and limitations:

- a. A bill of sale verifying the purchase and purchase date must be provided.
- b. This warranty will not apply to any product or part which is worn or broken or which has become inoperative due to abuse, misuse, accidental damage, neglect or lack of proper installation, operation or maintenance (as outlined in the applicable owner's manual or operating instructions) or which is being used for industrial, professional, commercial or rental purposes.
- c. This warranty will not apply to normal wear and tear or to expendable parts or accessories that may be supplied with the product which are expected to become inoperative or unusable after a reasonable period of use.
- d. This warranty will not apply to routine maintenance and consumable items such as, but not limited to, fuel, lubricants, vacuum bags, blades, belts, sandpaper, bits, fluids, tune-ups or adjustments.
- e. This warranty will not apply where damage is caused by repairs made or attempted by others (i.e. persons not authorized by the manufacturer).
- f. This warranty will not apply to any product that was sold to the original purchaser as a reconditioned or refurbished product (unless otherwise specified in writing).
- g. This warranty will not apply to any product or part thereof if any part from another manufacturer is installed therein or any repairs or alterations have been made or attempted by unauthorized persons.
- h. This warranty will not apply to normal deterioration of the exterior finish, such as, but not limited to, scratches, dents, paint chips, or to any corrosion or discoloring by heat, and abrasive chemical cleaners.
- i. This warranty will not apply to component parts sold by and identified as the product of another company, which shall be covered under the product manufacturer warranty, if any.

This warranty will not apply to any product that was sold to the original purchaser as a reconditioned or refurbished product (unless otherwise specified in writing).

REPLACEMENT PARTS LIST

For replacement parts, call our customer service department at 1-888-3KOBALT, 8 a.m. - 8 p.m., EST, Monday - Friday



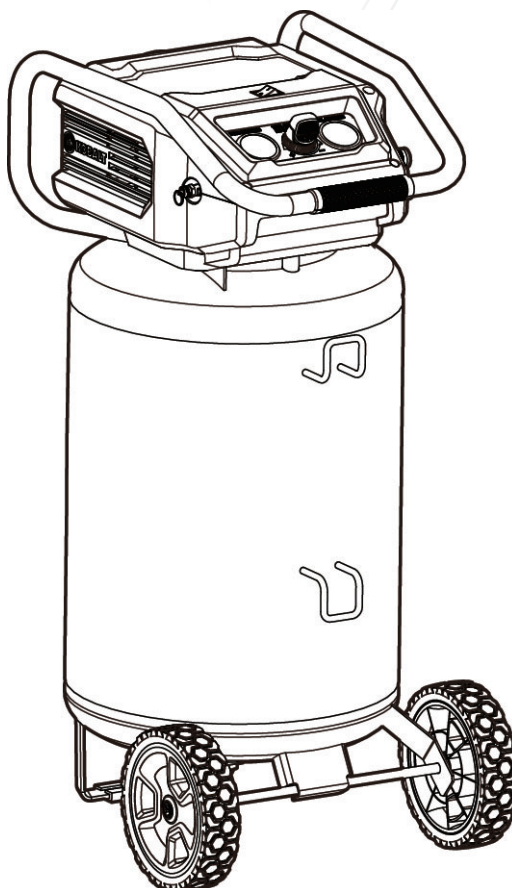
PART	PART NAME	PART#
1	Vibration Pad	X363059010
2	Air Tank	CE0302L.10.00
3	Bolt M6x12	J0784330032
4	Check Valve	WCFADX.02.03
5	Transfer Tube	CE0302L.60.00
6	Pressure Switch	D3003000012
7	Bolt M5x10	J0789780032
8	Lock Washer Ø5	J2981200040
9	Elbow	J3162920037
10	Motor Pump	2263C064
11	Fan	J1950320168
12	Handle Sleeve	X3681020109
13	Filter Holder	CE0302L.40.02
14	Foam Filter	CE0302L.40.03
15	Relief Valve	J0022520037
16	Back Vent Panel	CE0302L.00.04
17	Cushion Pad I	CE0302L.30.03
18	Side Vent Panel I	CE0302L.00.02
19	Start Capacitor,250 µf	D9241134056

PART	PART NAME	PART#
20	Run Capacitor,60 µf	D6009006001
21	Top Shroud	CE0302L.00.05
22	On/Off Switch	D3003000011
23	Self-tapping screw ST3.9x16	J0780270167
24	Nut M8	J2022870040
25	Bolt M8x25	J0805800040
26	Cushion Pad II	J0805800040
27	Motor Positioner	CE0302L.40.01
28	Hex bolt M8x25	J0801190157
29	Pressure Gauge	F5013700184
30	Regulator	WCFATY.04.05
31	Quick Coupler	J2992050037
32	Side Vent Panel II	CE0302L.00.03
33	Rubber Hose	J0996800083
34	Bottom Shroud	CE0302L.30.01
35	Anchor Nut	Q3113177001
36	Power Cord	CE0302L.30.02
37	Wheel Kit	CE0302L.70.00
38	Drain Valve	J0902530037

Printed in China
Kobalt® is a registered trademark of LF, LLC. All Rights Reserved.



**NEXT GENERATION
OF TOUGH TOOLS™**



ARTICLE #0470443

COMPRESSEUR D'AIR D'AIR SANS HUILE DE 75,51 L

KOBALT® et le motif K® sont des marques de commerce déposées de LF, LLC. Tous droits réservés.

MODÈLE #0332041

JOIGNEZ VOTRE REÇU ICI

Numéro de série _____ Date d'achat _____



Des questions, des problèmes, des pièces manquantes? Avant de retourner l'article au détaillant, appelez notre service à la clientèle au 1 888 3KOBALT (1 888 356-2258), entre 8 h et 20 h (HNE), du lundi au vendredi.

TABLE DES MATIÈRES

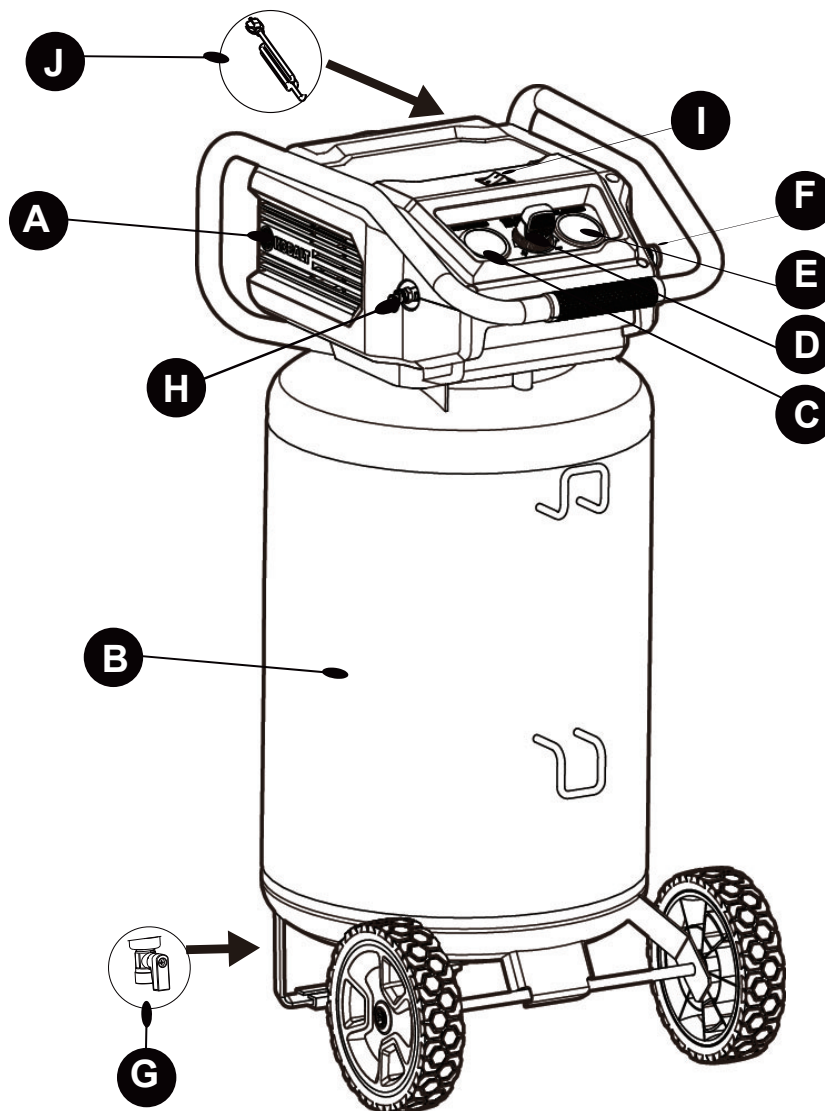
Caractéristiques -----	14
Contenu de l'emballage -----	15
Description des pièces -----	16
Consignes de sécurité -----	17
Préparation -----	19
Mode d'emploi -----	19
Entretien -----	20
Dépannage -----	21
Garantie -----	23
Liste des pièces de rechange -----	24

CARACTÉRISTIQUES DU PRODUIT

N° de modèle	0332041
Pompe	Sans huile, à entraînement direct, à une phase
Moteur	1,8 HP
Tension d'alimentation	120 V / 12,5 A / 60 Hz
Capacité du réservoir d'air	75,51 L
Point d'enclenchement	120 lb/po ²
Point de déclenchement	150 lb/po ²
pi ³ /min à 40 lb/po ²	5,0
pi ³ /min à 90 lb/po ²	4,0
Cordon d'alimentation	SJT 16 AWG, 182,88 cm de longueur

REMARQUE : Évitez d'utiliser des rallonges. Si l'utilisation d'une rallonge s'avère nécessaire, choisissez une rallonge d'un calibre minimal de 12 AWG et d'une longueur maximale de 9,14 m. Utilisez uniquement des rallonges trifilaires à trois broches munies d'une fiche de mise à la terre et de prises tripolaires appropriées à la fiche du compresseur.

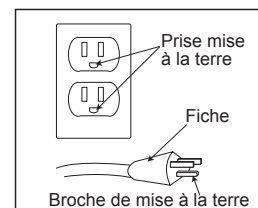
CONTENU DE L'EMBALLAGE



PIÈCE	DESCRIPTION	QTÉ
A	Moteur électrique et pompe de compresseur d'air	1
B	Réservoir d'air	1
C	Manomètre du réservoir	1
D	Régulateur de pression d'air	1
E	Manomètre régulé	1
F	Raccord à branchement rapide	1
G	Robinet de vidange du réservoir d'air	1
H	Soupape de décharge	1
I	Interrupteur	1
J	Cordon d'alimentation	1

DESCRIPTION DES PIÈCES

PIÈCE	NOM DE LA PIÈCE	DESCRIPTION DE LA PIÈCE
A	Moteur électrique Pompe de compresseur d'air	Le moteur sert à alimenter la pompe. Il comprend un limiteur de surcharge thermique. Ce limiteur arrête le moteur s'il surchauffe pour une raison quelconque et le protège ainsi contre les dommages. La pompe sert à comprimer l'air et à le stocker dans le réservoir par la course ascendante et descendante d'un piston dans le cylindre.
B	Réservoir d'air	Le réservoir sert à stocker l'air comprimé.
C	Manomètre du réservoir	Le manomètre sert à mesurer le niveau de la pression d'air stocké dans le réservoir. Vous ne pouvez pas le régler, et il n'indique pas la pression de conduite.
D	Régulateur de pression d'air	Le régulateur sert à régler la pression de conduite de l'outil utilisé. Tournez le bouton dans le sens des aiguilles d'unemontre pour accroître la pression, ou dans le sens contraire des aiguilles d'une montre pour la réduire.
E	Manomètre réglé	Le manomètre sert à mesurer la pression de sortie réglée.
F	Raccord à branchement rapide	Dans ce compresseur, le raccord à branchement rapide sert également de sortie à la conduite d'air. Cette sortie sert à raccorder le tuyau à air à filetage NPT de 6,35 mm
G	Robinet de vidange du réservoir d'air	Le robinet de vidange purge l'humidité du réservoir d'air après l'arrêt du compresseur.
H	Soupape de décharge	La soupape sert à évacuer la pression de l'appareil afin d'éviter une panne. Lorsque la pression atteint un niveau préétabli, si le pressostat n'a pas coupé le moteur, la soupape s'ouvre automatiquement. Elle peut aussi être ouverte manuellement en tirant sur son anneau.
I	Interrupteur	Cet interrupteur met en marche le compresseur et est activé manuellement. Lorsqu'il est en position de marche (« I »), le compresseur démarre et s'arrête automatiquement, sans avertissement, à la suite d'une demande d'air. Mettez TOUJOURS cet interrupteur en position d'arrêt (« O ») lorsque vous n'utilisez pas le compresseur ou avant de le débrancher.
J	Cordon d'alimentation	Cet appareil doit être utilisé sur un circuit d'une tension nominale de 120 volts et mis à la terre. Vous devez employer un cordon d'alimentation muni d'une fiche de mise à la terre (semblable à celui qui figure sur l'illustration). Assurez-vous de brancher le compresseur sur une prise ayant les mêmes caractéristiques que la fiche. N'utilisez pas d'adaptateur pour brancher le compresseur.




CONSIGNES DE SÉCURITÉ


Veillez vous assurer de lire et de comprendre l'intégralité de ce manuel avant de tenter d'assembler ou d'utiliser le produit. Si vous avez des questions, veuillez communiquer avec notre service à la clientèle au 1 888 3KOBALT, entre 8 h et 20h (HNE), du lundi au vendredi.

Symboles relatifs à la sécurité


Les symboles relatifs à la sécurité servent à attirer votre attention sur les dangers possibles. Vous devez prêter une attention particulière à ces symboles ainsi qu'aux explications qui sont fournies et bien les comprendre. Pour éliminer tout danger, vous devez respecter les messages d'avertissement. Ces messages ne remplacent toutefois pas les mesures appropriées de prévention d'accidents.

 **DANGER:** Le non-respect des consignes de sécurité occasionnera des blessures graves ou mortelles.

 **AVERTISSEMENT:** Le non-respect des consignes de sécurité peut occasionner des blessures graves ou mortelles.

 **MISE EN GARDE:** Le non-respect des consignes de sécurité peut occasionner des blessures.

Sécurité des utilisateurs

 **DANGER:** Le branchement inadéquat de la fiche de mise à la terre entraîne un risque de choc électrique. Si le cordon d'alimentation ou la fiche doivent être réparés ou remplacés, ne branchez pas le fil de mise à la terre sur une borne d'alimentation (lame). Le fil de mise à la terre est celui dont la gaine est verte.

WARNING

- Risque d'explosion ou d'incendie. Ne vaporisez jamais de liquides inflammables dans un espace clos. Il est normal que le moteur et que le pressostat produisent des étincelles durant le fonctionnement. Si une étincelle entre en contact avec des vapeurs d'essence ou d'autres solvants, ils peuvent s'enflammer et causer un incendie ou une explosion. Ne fumez pas pendant la vaporisation. Ne vaporisez pas en présence d'étincelles ou de flammes. Tenez le compresseur d'air aussi loin que possible de la zone de vaporisation. Faites toujours fonctionner le compresseur dans un endroit bien ventilé.
- Risque de choc électrique. Les travaux de câblage doivent être effectués par un électricien qualifié conformément à tous les codes locaux et nationaux. Afin d'éviter les chocs électriques, n'utilisez jamais un compresseur d'air électrique à l'extérieur lorsqu'il pleut ni sur une surface humide.
- Risque d'éclatement. La rouille peut abîmer le réservoir. Videz l'eau condensée du réservoir après chaque utilisation afin de réduire les risques de corrosion. Évitez de souder, de percer ou de modifier le réservoir d'air du compresseur. La soudure ou la modification du réservoir d'air peut altérer sérieusement sa résistance et engendrer des conditions extrêmement dangereuses. Si le réservoir fuit, remplacez-le immédiatement.
- Risque de blessure. Assurez-vous de toujours arrêter le compresseur, de le débrancher de la prise de courant et d'évacuer sa pression avant d'en faire l'entretien, ainsi que lorsque vous ne l'utilisez pas. N'utilisez pas l'unité lorsque le boîtier est retiré. Un contact avec des pièces en mouvement peut causer des blessures graves.
- Risque d'éclatement. Vérifiez la pression nominale maximale dans le guide ou sur l'étiquette du numéro de série. La pression de sortie du compresseur d'air doit être réglée de façon à ne jamais dépasser la pression nominale maximale. Évacuez toute la pression du tuyau avant de retirer ou de raccorder des accessoires.



CONSIGNES DE SÉCURITÉ

- Risque d'éclatement. Ne réglez pas le pressostat ou la soupape de décharge pour quelque raison que ce soit. Ils ont été préréglés à l'usine en fonction de la pression maximale de ce compresseur. La modification de leur réglage pourrait causer des blessures ou des dommages matériels.
- Risque de brûlure. La pompe et le collecteur dégagent une grande chaleur. Pour éviter les brûlures ou d'autres blessures, ne touchez pas à la pompe, au collecteur ou au tube de transfert lorsque le compresseur d'air est en marche. Laissez refroidir les pièces avant de les manipuler ou d'en faire l'entretien. Gardez le compresseur hors de la portée des enfants en tout temps.
- Risque d'inhalation. Lisez toutes les étiquettes et suivez les consignes de sécurité avant de vaporiser de la peinture ou des matières toxiques. Portez un masque respiratoire s'il y a un risque d'inhalation des matières vaporisées. N'inhaliez jamais directement l'air produit par un compresseur.
- Risque de blessures aux yeux. Portez toujours des lunettes de sécurité conformes à la norme ANSI 287.1 lorsque vous utilisez un compresseur d'air. Ne pointez jamais une buse ou un pulvérisateur vers une personne ou une partie du corps. Le jet peut causer des blessures graves s'il pénètre la peau.
- Ne dépassez jamais la pression d'utilisation maximale de l'outil.
- Ne tentez jamais d'ouvrir le robinet de vidange lorsque la pression du réservoir s'élève à plus de 10 lb/po².
- Vous pouvez créer de la poussière en coupant, ponçant, perçant ou meulant les matériaux tels que le bois, la peinture, le métal, le béton, le ciment ou autre maçonnerie. Cette poussière contient souvent des produits chimiques reconnus pour causer le cancer, les déformations congénitales ou autres problèmes de la reproduction. **Porter de l'équipement de protection.**

MISE EN GARDE

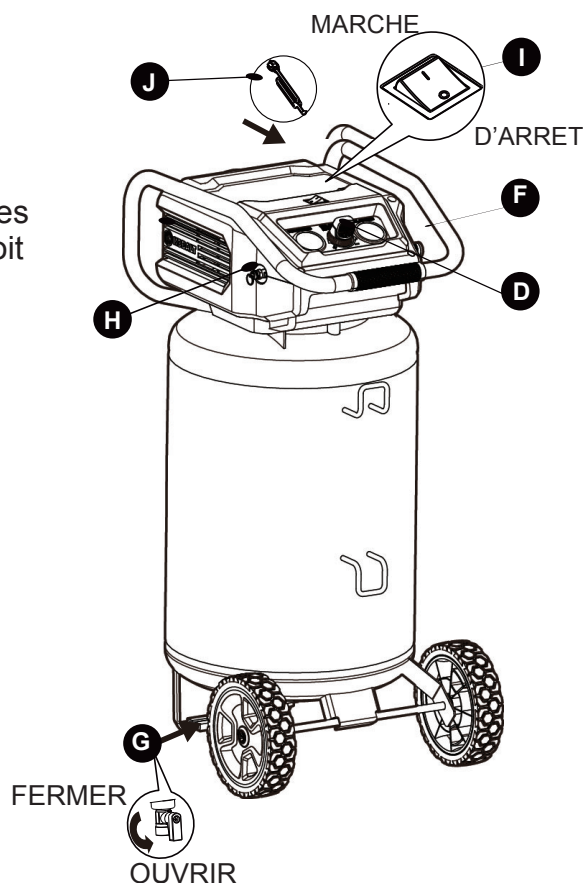
- Tirez l'anneau de la soupape de décharge chaque jour afin de vérifier si la soupape fonctionne correctement.
- Le compresseur d'air doit se trouver à au moins 30,48 cm du mur le plus s, dans un endroit près bien ventilé qui assurera son refroidissement.
- Protégez le tuyau à air et le cordon d'alimentation contre les risques d'endommagement et de perforation. Vérifiez chaque semaine s'ils présentent des traces d'affaiblissement ou d'usure et remplacez-les au besoin.
- Portez toujours des protecteurs auditifs lorsque vous utilisez un compresseur d'air. La non-observance de cette consigne peut entraîner une perte auditive.
- Utilisez toujours l'unité sur une surface stable. N'utilisez jamais l'unité sur un toit ou en hauteur, car elle pourrait tomber ou se renverser.

PRÉPARATION

1. Préparation au démarrage

⚠ AVERTISSEMENT: Risque d'éclatement.
Une pression d'air trop élevée entraîne un risque d'éclatement. Vérifiez la pression nominale maximale indiquée par le fabricant des outils pneumatiques et des accessoires. La pression de sortie du régulateur ne doit jamais dépasser la pression nominale maximale.

- Mettez l'interrupteur (I) en position O (position d'arrêt).
- Tournez le bouton du régulateur de pression d'air (D) dans le sens contraire des aiguilles d'une montre jusqu'à ce qu'il s'arrête.
- Fixez le tuyau à air, les accessoires ou les outils pneumatiques (non inclus) à la sortie pour conduite d'air (F).



MODE D'EMPLOI

1. Démarrage du compresseur

⚠ AVERTISSEMENT: Le moteur électrique et la pompe dégagent une grande chaleur. Pour éviter les brûlures et autres blessures, ne touchez PAS au compresseur lorsqu'il est en marche. Laissez-le refroidir avant de le manipuler ou d'en effectuer l'entretien. Gardez le compresseur hors de la portée des enfants en tout temps.

⚠ AVERTISSEMENT: Pour diminuer la pression, tournez le bouton dans le sens contraire des aiguilles d'une montre en dépassant le réglage désiré. Tournez ensuite le bouton dans le sens des aiguilles d'une montre jusqu'au réglage désiré. Ne dépassez pas la pression de fonctionnement maximale de l'outil ou de l'accessoire utilisé.

- Fermez le robinet de vidange (G) du réservoir en le tournant dans le sens des aiguilles d'une montre.
- Branchez le cordon d'alimentation (J).
- Mettez l'interrupteur (I) en position I (position de marche) et laissez la pression s'accumuler dans le réservoir. Le moteur s'arrêtera lorsque la pression atteindra le «point de déclenchement».
- Tournez le bouton du régulateur de pression d'air (D) dans le sens des aiguilles d'une montre jusqu'au réglage désiré.
- Vous pouvez maintenant utiliser le compresseur.

MODE D'EMPLOI

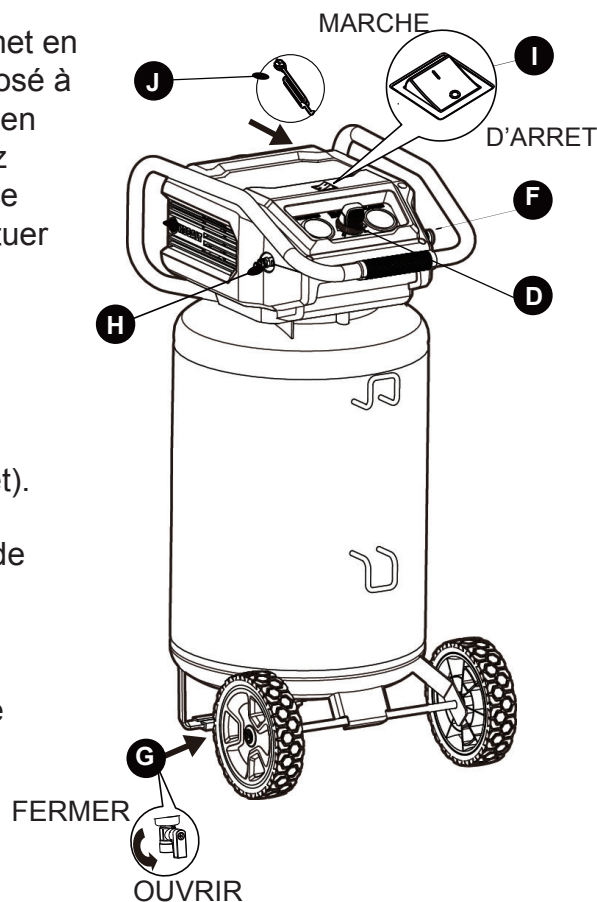
2. Arrêt du compresseur

⚠ AVERTISSEMENT: Afin d'éviter de vous blesser, arrêtez l'unité, débranchez-la et évacuez toute la pression d'air avant d'effectuer toute tâche d'entretien du compresseur d'air.

⚠ AVERTISSEMENT: Risque lié à l'utilisation. L'unité se met en marche aussitôt qu'elle est alimentée. Vous pouvez être exposé à des sources de tension, à de l'air comprimé ou à des pièces en mouvement lorsque vous effectuez l'entretien. Vous pourriez subir des blessures. Débranchez le compresseur de la source d'alimentation et purgez toute la pression d'air avant d'effectuer toute tâche d'entretien ou toute réparation.

⚠ MISE EN GARDE: L'air et l'humidité évacués peuvent projeter des débris susceptibles de causer des blessures aux yeux. Portez des lunettes de sécurité lorsque vous ouvrez le robinet de vidange.

- Mettez l'interrupteur (I) en position O (position d'arrêt).
- Débranchez le cordon d'alimentation (J).
- Réduisez la pression dans le réservoir par le tuyau de sortie. Vous pouvez également tirer l'anneau de la soupape de décharge (H) et la laisser ouverte pour réduire la pression du réservoir.
- Faites basculer le compresseur de façon à ce que le robinet de vidange se trouve au bas du réservoir. Ouvrez ensuite le robinet dans le sens contraire des aiguilles d'une montre pour évacuer l'humidité du réservoir.

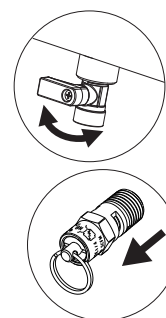


ENTRETIEN

⚠ AVERTISSEMENT: Afin d'éviter de vous blesser, arrêtez l'unité, débranchez-la et évacuez toute la pression d'air avant d'effectuer toute tâche d'entretien du compresseur d'air.

Un entretien régulier assurera un fonctionnement sans problème. Les points mentionnés ici doivent être vérifiés régulièrement.

- Videz le réservoir quotidiennement afin de prévenir la formation de corrosion. Évacuez la condensation chaque jour. Portez des lunettes de sécurité. Purgez la pression d'air du système, puis ouvrez le robinet (D) de vidange situé au bas du réservoir.
- Tirez l'anneau de la soupape (H) de décharge quotidiennement pour vous assurer que la soupape fonctionne correctement et pour enlever tout débris qui pourrait l'obstruer.
- Avant de ranger l'unité pour une période prolongée, suivez les étapes ci-dessous :
 - Utilisez une soufflette à air (non incluse) pour nettoyer toute la poussière et les débris du compresseur.
 - Débranchez et enrroulez le cordon d'alimentation.
 - Ouvrez la soupape de décharge pour libérer toute la pression du réservoir. Évacuez toute l'humidité du réservoir.
 - Recouvrez le compresseur d'air pour le protéger contre l'humidité et la poussière.



DÉPANNAGE

PROBLÈME	CAUSE POSSIBLE	MESURE CORRECTIVE
La pression est faible, il n'y a pas suffisamment d'air ou le compresseur ne s'arrête pas.	<ol style="list-style-type: none"> 1. Le robinet de vidange du réservoir est ouvert. 2. Les raccords présentent une fuite. 3. Une trop grande quantité d'air a été utilisée ou l'air a été utilisé de façon prolongée. 4. Le compresseur n'est pas assez puissant. 5. Le tuyau à air est troué. 6. Le réservoir fuit. 7. Les joints ne sont pas étanches. 8. Le robinet de vidange fuit. 9. Le piston fuit ou est usé. 	<ol style="list-style-type: none"> 1. Fermez le robinet de vidange. 2. Vérifiez les raccords au moyen d'eau savonneuse. Serrez et scellez les raccords qui ont des fuites. ÉVITEZ DE SERRER EXCESSIVEMENT. 3. Réduisez la quantité d'air utilisé. 4. Vérifiez les exigences en air de l'accessoire. Si elles sont supérieures au débit volumique (pi^3/min) et à la pression du compresseur d'air, un compresseur d'air plus puissant est nécessaire. La plupart des accessoires fonctionnent à 25 % de leur débit réel en pi^3/min lorsqu'ils sont utilisés en continu. 5. Vérifiez-le et remplacez-le, au besoin. 6. ⚠ AVERTISSEMENT : Remplacez immédiatement le réservoir. NE tentez PAS de le réparer. 7. Remplacez l'ensemble compresseur. 8. Remplacez l'ensemble compresseur. 9. Remplacez l'ensemble compresseur.
Le régulateur a des fuites d'air ou ne régule pas la pression d'air.	<ol style="list-style-type: none"> 1. Les pièces internes du régulateur sont sales ou endommagées. 	<ol style="list-style-type: none"> 1. Remplacez le régulateur ou les pièces internes.
La pression indiquée sur le manomètre régulé diminue lorsqu'est utilisé un accessoire à air.	<ol style="list-style-type: none"> 1. Cela est normal. 2. Le compresseur n'est pas assez puissant. 	<ol style="list-style-type: none"> 1. Si la pression est trop basse, réglez le régulateur pendant que vous utilisez l'accessoire. 2. Vérifiez les exigences en air de l'accessoire. Si elles sont supérieures au débit volumique (pi^3/min) et à la pression du compresseur d'air, un compresseur d'air plus puissant est nécessaire. La plupart des accessoires fonctionnent à 25 % de leur débit réel en pi^3/min lorsqu'ils sont utilisés en continu.
La soupape de décharge s'ouvre.	<ol style="list-style-type: none"> 1. La pression du réservoir est supérieure à la pression nominale normale. 2. Le pressostat est bloqué. 	<ol style="list-style-type: none"> 1. Remplacez le pressostat. 2. Remplacez le pressostat.

DÉPANNAGE

PROBLÈME	CAUSE POSSIBLE	MESURE CORRECTIVE
<p>Le moteur ne tourne pas.</p>	<ol style="list-style-type: none"> 1. La pression du réservoir dépasse la limite de pression préréglée du pressostat. 2. Un fusible a sauté ou un disjoncteur s'est déclenché. 3. Le clapet de non-retour ou le clapet de pied est bloqué en position fermée. 4. Le calibre AWG du fil ne convient pas ou la rallonge est trop longue. 5. Les branchements électriques sont desserrés. 6. Le dispositif de protection contre la surcharge du moteur s'est déclenché. 7. Le moteur, le condensateur ou la soupape de sûreté sont défectueux. 	<ol style="list-style-type: none"> 1. Le moteur démarre automatiquement lorsque la pression du réservoir tombe sous le point d'enclenchement. 2. Remplacez le fusible sauté ou remettez le disjoncteur sous tension. N'utilisez pas un fusible ou un disjoncteur d'une valeur nominale plus élevée. Vérifiez le fusible; un fusible de type « T » est accepté. Vérifiez si la tension est basse, et utilisez une rallonge de longueur appropriée. Débranchez les autres éléments du circuit. Utilisez le compresseur sur un circuit spécial. 3. Vous devez le retirer et le nettoyer, ou le remplacer. 4. Vérifiez si le calibrage et la longueur de la rallonge conviennent. 5. Communiquez avec un centre de service autorisé. 6. Éteignez le compresseur, débranchez le cordon d'alimentation et attendez que le moteur se refroidisse. Branchez le cordon d'alimentation une fois que le moteur est refroidi. Attendez au moins cinq minutes pour vous assurer que le limiteur de surcharge thermique fonctionne de nouveau. 7. L'entretien du compresseur doit être effectué par un technicien qualifié.

GARANTIE LIMITÉE DE 1 AN

Cet article est garanti pour une période de un (1) an à partir de la date d'achat initiale contre les défauts de matériaux et de fabrication.

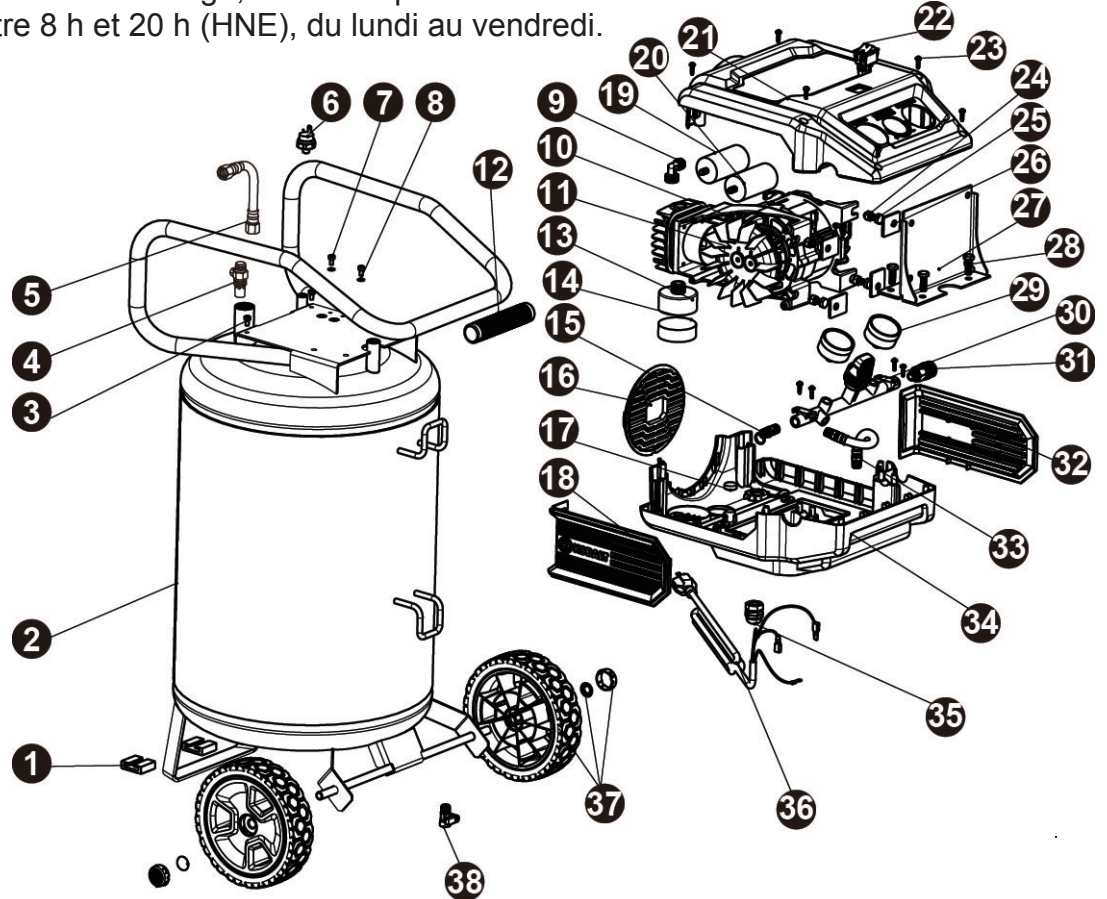
Sous réserve des conditions et des restrictions énoncées ci-dessous, cet article sera réparé ou remplacé (par le même modèle ou par un modèle de valeur équivalente ou doté de caractéristiques similaires), à notre discrétion, pourvu qu'il nous soit retourné avec une preuve d'achat pendant la période prévue pour la garantie, et pourvu que la garantie s'applique. Nous assumerons le coût de tout remplacement ou de toute réparation ainsi que les frais de main-d'œuvre s'y rapportant.

La présente garantie est assujettie aux restrictions et aux conditions suivantes :

- a. Un contrat de vente attestant l'achat et la date d'achat doit être fourni.
- b. La présente garantie ne s'applique à aucun article (ou à aucune pièce d'un article) usé ou brisé, ou rendu hors d'usage en raison d'un usage abusif ou inapproprié, d'un dommage accidentel, d'une négligence ou d'une installation, d'une utilisation ou d'un entretien inadéquats (*selon la description figurant dans le guide d'utilisation ou le mode d'emploi applicable*); ou utilisé à des fins industrielles, professionnelles, commerciales ou locatives.
- c. La présente garantie ne s'applique pas à l'usure normale ou aux pièces ou accessoires consommables qui peuvent être fournis avec le produit et qui sont appelés à devenir inopérants ou inutilisables après une période raisonnable d'utilisation.
- d. La présente garantie ne s'applique pas à l'entretien régulier et aux articles de consommation comme le carburant, les lubrifiants, les sacs d'aspirateurs, les lames, les courroies, le papier abrasif, les embouts, les liquides, les mises au point ou les réglages.
- e. La présente garantie ne s'applique pas lorsque les dommages sont causés par des réparations ou des tentatives de réparation faites par des tiers (*c'est-à-dire des personnes non autorisées par le fabricant*).
- f. La présente garantie ne s'applique à aucun article vendu à l'acheteur initial à titre d'article remis en état ou remis à neuf (*à moins que ne soit conclue une convention écrite indiquant le contraire*).
- g. La présente garantie ne s'applique pas à l'article ni à aucune pièce de l'article lorsqu'une pièce d'un autre fabricant est installée sur l'article, ou lorsqu'une personne non autorisée répare, modifie ou tente de réparer ou de modifier l'article.
- h. La présente garantie ne s'applique pas à la détérioration normale du fini extérieur, notamment les éraflures, les bosses et les éclats de peinture, ou à la corrosion ou à la décoloration causée par la chaleur, les produits abrasifs et les produits de nettoyage chimiques.
- i. La présente garantie ne s'applique pas aux pièces vendues par une autre entreprise et marquées comme produits de cette entreprise; le cas échéant, ces pièces sont couvertes par la garantie de leur fabricant.

LISTE DES PIÈCES DE RECHANGE

Pour obtenir des pièces de rechange, communiquez avec notre service à la clientèle au 1 888 3KOBALT, entre 8 h et 20 h (HNE), du lundi au vendredi.



PIÈCE	NOM DE LA PIÈCE	NUMÉRO DE PIÈCE
1	Patin en caoutchouc	X363059010
2	Réservoir d'air	CE0302L.10.00
3	Boulon M6 de 12mm	J0784330032
4	Clapet de non-retour	WCFADX.02.03
5	Tube de transfert	CE0302L.60.00
6	Pressostat	D3003000012
7	Boulon M5 de 10mm	J0789780032
8	Rondelle de blocage Ø5	J2981200040
9	Coude	J3162920037
10	Ensemble de pompe et de moteur	2263C064
11	Ventilateur	J1950320168
12	Gérer manchon	X3681020109
13	Titulaire du filtre à air	CE0302L.40.02
14	Épouge de filtration	CE0302L.40.03
15	Soupape de décharge	J0022520037
16	Panneau de ventilation arrière	CE0302L.00.04
17	Tampon amortisseur I	CE0302L.30.03
18	Panneau d'aération latéral I	CE0302L.00.02
19	Condensateur, 250 µf	D9241134056

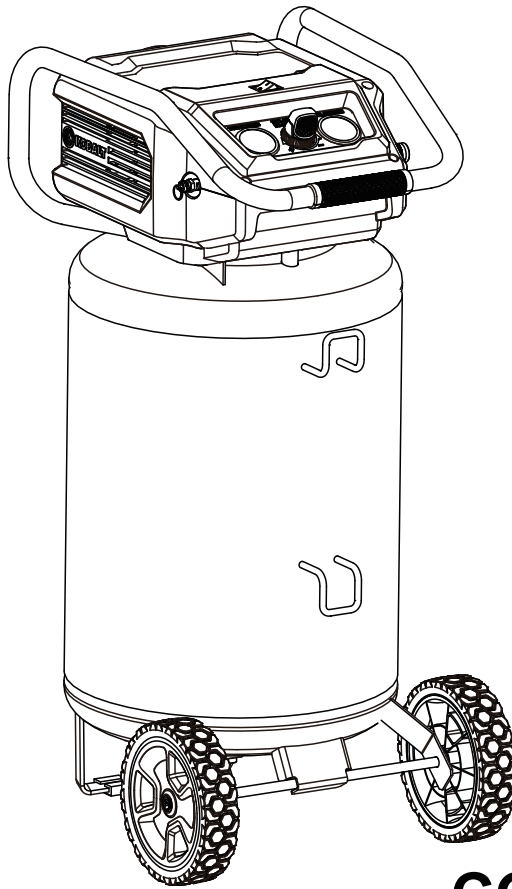
PIÈCE	NOM DE LA PIÈCE	NUMÉRO DE PIÈCE
20	Condensateur, 60 µf	D6009006001
21	Boîtier supérieur	CE0302L.00.05
22	Interrupteur	D3003000011
23	Vis autotaraudeuse en acier de 3,9 de 16mm	J0780270167
24	Écrous M8	J2022870040
25	Boulon M8 de 25mm	J0805800040
26	Tampon amortisseur II	J0805800040
27	Plaque de fixation	CE0302L.40.01
28	Boulon à tête hexagonale M8 de 15mm	J0801190157
29	Manomètre	F5013700184
30	Régulateur	WCFATY.04.05
31	Raccord à branchement rapide	J2992050037
32	Panneau d'aération latéral II	CE0302L.00.03
33	Tuyau en caoutchouc	J0996800083
34	Boîtier inférieure	CE0302L.30.01
35	Écrou d'ancrage	Q3113177001
36	Cordon d'alimentation	CE0302L.30.02
37	Roue	CE0302L.70.00
38	Robinet de vidange	J0902530037

Imprimé en Chine

Kobalt® est une marque de commerce déposée de LF, LLC. Tous droits réservés.



**NEXT GENERATION
OF TOUGH TOOLS™**



ARTÍCULO #0470443

COMPRESOR DE AIRE SIN ACEITE DE 20 GALONES

KOBALT® y K Design® son marcas registradas de LF, LLC. Todos los derechos reservados.

MODELO #0332041

ADJUNTE SU RECIBO AQUÍ

Número de serie _____ **Fecha de compra** _____



¿Preguntas, problemas, piezas faltantes? Antes de volver a la tienda, llame a nuestro Departamento de Servicio al Cliente al 1-888-3KOBALT (1-888-356-2258), de lunes a viernes de 8 a.m. a 8 p.m., hora estándar del Este.

kobalttools.com



ÍNDICE

Especificaciones -----	26
Contenido del paquete -----	27
Descripción de las piezas -----	28
Información de seguridad -----	29
Preparación -----	31
Instrucciones de funcionamiento -----	31
Cuidado y mantenimiento -----	32
Solución de problemas -----	33
Garantía -----	35
Lista de piezas de repuesto -----	36

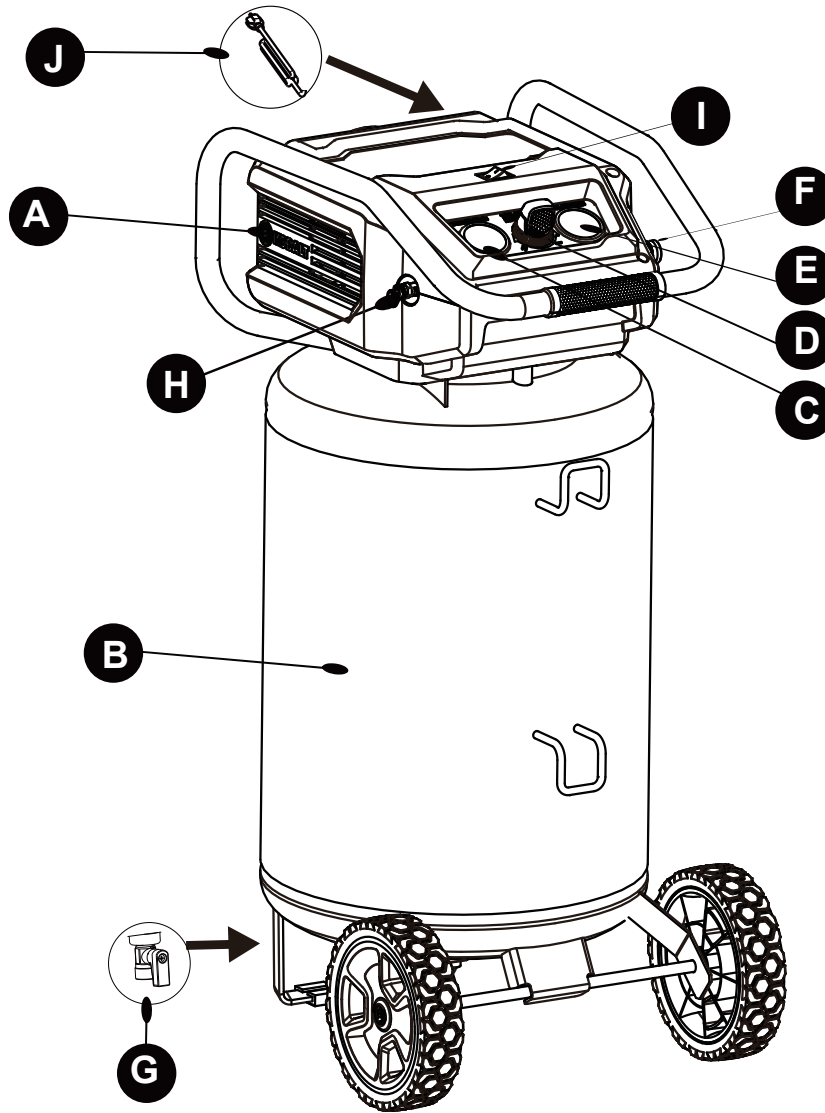
ESPECIFICACIONES DEL PRODUCTO

Modelo No.	0332041
Bomba	Transmisión directa sin aceite
Motor	1,8 HP
Voltaje/Amperios/Hz	120/12,5/60
Capacidad del tanque de aire	20 Galones
Presión de activación	120 PSI
Presión de desactivación	150 PSI
m ³ /min a 40 PSI	5,0
m ³ /min a 90 PSI	4,0
Cable de alimentación	SJT 16 AWG / 1,83 m de largo

NOTA: Evite usar extensiones eléctricas. Si no puede evitar usar una extensión eléctrica, esta debe tener un tamaño de cable mínimo de 12 AWG y una longitud menor a 9,14 m.

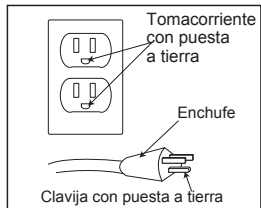
Solo use extensiones eléctricas con puesta a tierra de 3 conductores que tengan un enchufe de 3 aspas y un receptáculo de 3 ranuras que acepten el enchufe del producto.

CONTENIDO DEL PAQUETE



PIEZA	DESCRIPCIÓN	CANT.
A	Motor eléctrico y bomba compresora de aire	1
B	Tanque de aire	1
C	Indicador de presión del tanque	1
D	Regulador de presión de aire	1
E	Indicador de presión regulado	1
F	Raccord à branchement rapide	1
G	Válvula de drenaje del tanque de aire	1
H	Válvula de descarga de presión	1
I	Interruptor de ENCENDIDO/APAGADO	1
J	Cable de alimentación	1

DESCRIPCIÓN DE LAS PIEZAS


PIEZA	NOMBRE DE LA PIEZA	DESCRIPCIÓN DE LAS PIEZAS
A	Motor eléctrico Bomba compresora de aire	El motor se usa para hacer funcionar la bomba. Contiene un protector contra sobrecargas térmicas. Si el motor se sobrecalienta por cualquier razón, el protector contra sobrecargas térmicas lo apagará a fin de evitar que sufra daños. La bomba se usa para comprimir el aire y descargarlo en el tanque a través del pistón que se mueve hacia arriba y hacia abajo en el cilindro.
B	Tanque de aire	El tanque se usa para almacenar el aire comprimido.
C	Indicador de presión del tanque	Le manomètre sert à mesurer le niveau de la pression d'air stocké dans le réservoir. Vous ne pouvez pas le régler, et il n'indique pas la pression de conduite.
D	Regulador de presión de aire	El regulador se usa para regular la línea de presión a la herramienta que va a usar. Gire la perilla en dirección de las manecillas del reloj para aumentar la presión y en dirección contraria a las manecillas del reloj para disminuir la presión.
E	Indicador de presión regulado	El indicador se usa para medir la presión de salida regulada.
F	Raccord à branchement rapide	Dans ce compresseur, le raccord à branchement rapide sert également de sortie à la conduite d'air. Cette sortie sert à raccorder le tuyau à air à filetage NPT de 6,35 mm
G	Válvula de drenaje del tanque	La válvula de drenaje se usa para eliminar la humedad del tanque de aire después de que la unidad se apaga.
H	Válvula de descarga de presión	La válvula se usa para prevenir fallas en el sistema al liberar la presión que se acumula en este. Si la presión llega al nivel predeterminado y el interruptor de presión no apaga el motor, esta se abrirá automáticamente. También puede jalar el anillo en la válvula para abrirla.
I	Interruptor On/Off (Encendido/Apagado)	Este interruptor enciende el compresor y se opera manualmente. Cuando está en la posición de ENCENDIDO, permite que el compresor arranque o se detenga automáticamente, sin aviso, según la demanda de aire. SIEMPRE coloque este interruptor en la posición de APAGADO cuando el compresor no se esté usando y antes de desenchufarlo.
J	Cable de alimentación	Este producto está diseñado para usarse en un circuito nominal de 120 voltios y debe contar con una puesta a tierra. Se debe usar un cable con un enchufe con puesta a tierra tal como se muestra. Asegúrese de que el producto esté conectado a un tomacorriente que tenga la misma configuración que el enchufe. No debe utilizarse ningún adaptador con este producto. 


INFORMACIÓN DE SEGURIDAD

Lea y comprenda completamente este manual antes de intentar ensamblar u operar este producto. Si tiene preguntas relacionadas con el producto, llame al Departamento de Servicio al Cliente al 1-888-3KOBALT, de lunes a jueves de 8 a.m. a 8 p.m., hora estándar del Este.

Símbolos de seguridad


El objetivo de los símbolos de seguridad es captar su atención ante posibles peligros. Los símbolos de seguridad y las explicaciones que los acompañan merecen su atención y comprensión cuidadosa. Las advertencias de seguridad NO eliminan por sí mismas ningún peligro. No son sustitutos de las medidas adecuadas de prevención de accidentes.

 **PELIGRO:** Si no se sigue con precisión la información de seguridad, alguien resultará gravemente lesionado o muerto.

 **ADVERTENCIA:** Si no se sigue con precisión la información de seguridad, alguien podría resultar gravemente lesionado o muerto.

 **PRECAUCIÓN:** Si no se sigue con precisión la información de seguridad, es posible que alguien resulte lesionado.

Seguridad para el usuario

 **PELIGRO:** La instalación inapropiada del enchufe con conexión a tierra puede causar riesgo de descarga eléctrica. Si necesita reparar o reemplazar el cable o el enchufe, no conecte el cable con conexión a tierra a un terminal de pala plano. El conductor de conexión a tierra se encuentra en la superficie exterior verde.

 **ADVERTENCIA:**

- Riesgo de explosión o incendio. Nunca rocíe líquidos inflamables en un área cerrada. Es normal que el motor y el interruptor de presión produzcan chispas cuando están en funcionamiento. Si las chispas entran en contacto con los vapores que emanan de la gasolina o de otros solventes, estas podrían encenderse y provocar un incendio o una explosión. No fume mientras rocía. No rocíe donde haya chispas o llamas. Mantenga el compresor tan lejos del área de rociado como sea posible. Siempre opere el compresor en un área bien ventilada.
- Riesgo de descarga eléctrica. Un electricista certificado debe instalar todo el cableado de acuerdo con los códigos locales y nacionales. Para evitar descargas eléctricas, nunca utilice un compresor de aire eléctrico en exteriores cuando llueve o sobre una superficie mojada.
- Riesgo de desborde. El óxido puede debilitar el tanque. Drene el agua condensada del tanque luego de cada uso para disminuir la oxidación. Nunca suelde, taladre ni modifique el tanque de aire de este compresor. Las soldaduras o modificaciones que se realizan en el tanque de aire pueden deteriorar severamente la fuerza del tanque y causar una condición muy peligrosa. Si se detecta una fuga en el tanque, reemplace el tanque de inmediato.
- Riesgo de lesiones. Siempre cierre el compresor, quite el enchufe del tomacorriente y purgue toda la presión del sistema antes de realizar el mantenimiento al compresor o cuando este no esté en uso. No utilice la unidad si ha retirado el revestimiento. El contacto con las piezas en movimiento puede ocasionar lesiones graves.



INFORMACIÓN DE SEGURIDAD

- Riesgo de desborde. Verifique en el manual el índice de presión máxima o la etiqueta con el número de serie. La presión de salida del compresor debe regularse de modo que nunca exceda el índice de presión máxima. Libere toda la presión a través de la manguera antes de quitar o fijar los accesorios
- Riesgo de desborde. Por ningún motivo ajuste el interruptor de presión ni la válvula de descarga, ya que han sido predeterminados en la fábrica para la presión máxima de la unidad. Si el interruptor de presión o la válvula de descarga se manipulan, es posible que ocurran lesiones personales o daños a la propiedad.
- Riesgo de quemaduras. La bomba y el tubo colector generan altas temperaturas. Para evitar quemaduras u otras lesiones, no toque la bomba, el tubo colector o el tubo de transferencia mientras la unidad se encuentre en funcionamiento. Deje que las piezas se enfrien antes de manipularlas o realizarles mantenimiento. Mantenga a los niños alejados del compresor en todo momento.
- Riesgo de respiración. Lea todas las etiquetas cuando rocíe pinturas o materiales tóxicos y siga todas las instrucciones de seguridad. Use una máscara para polvo si existiera el riesgo de inhalar los materiales rociados. Nunca inhale directamente el aire comprimido producido por un compresor.
- Riesgo de lesiones en los ojos. Use siempre gafas de seguridad aprobadas por las normas ANSI 287.1 cuando utilice un compresor de aire. Nunca apunte la boquilla ni el rociador hacia una persona o una parte del cuerpo. Si el rociado penetra en la piel, es posible que se produzca una lesión grave.
- Nunca exceda la presión de trabajo máxima de la herramienta.
- Nunca intente abrir la válvula de drenaje cuando la presión del tanque supere los 10 PSI.
- Cuando corta lija, taladra o pule materiales como por ejemplo madera, pintura, metal, hormigón, cemento, u otro tipo de mampostería se puede producir polvo. Con frecuencia este polvo contiene productos químicos que se conocen como causantes de cáncer, defectos congénitos u otros daños reproductivos. **Use equipo de protección.**

PRECAUCIÓN

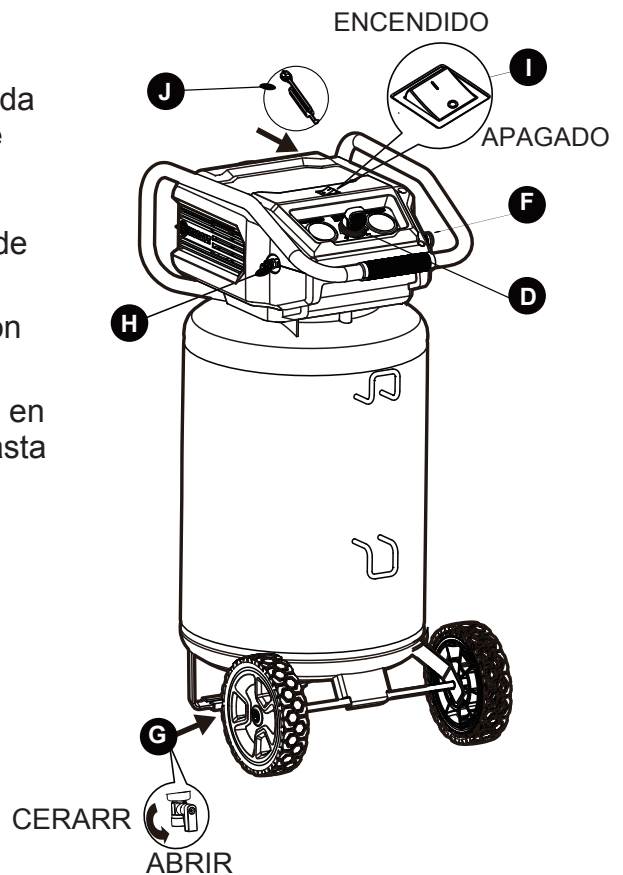
- Tire del anillo de la válvula de descarga todos los días para asegurarse de que funciona correctamente.
- La unidad debe mantenerse a una distancia mínima de 12 pulg de la pared más cercana, en un área bien ventilada para su enfriamiento.
- Proteja la manguera de aire y el cable eléctrico de daños y perforaciones. Inspecciónelos semanalmente para detectar puntos débiles o gastados y, si fuera necesario, reemplácelos.
- Use siempre protección para los oídos cuando utilice un compresor de aire. El incumplimiento de esta medida podría provocar la pérdida de la audición.
- El funcionamiento de la unidad siempre debe realizarse en una posición estable. Nunca use la unidad en un techo o una posición elevada que pudiese provocar que el módulo se cayera o volcara.

PREPARACIÓN

1. Preparación para el inicio

! **ADVERTENCIA:** Riesgo de desborde. Demasiada presión de aire provoca peligro de explosión. Verifique el índice de presión máxima del fabricante para las herramientas neumáticas y los accesorios. La presión de salida del regulador nunca debe exceder el índice de presión máxima.

- Coloque el interruptor ON/OFF (I) en la posición O (apagado).
- Gire la perilla reguladora(D) de presión de aire en dirección contraria a las manecillas del reloj hasta que se detenga.
- Fije la manguera de aire/los accesorios o las herramientas neumáticas (no se incluyen) al tomacorrientes de la línea de aire (F).



INSTRUCCIONES DE FUNCIONAMIENTO

1. Encendido del compresor

! **ADVERTENCIA:** El motor eléctrico y la bomba generan altas temperaturas. Para prevenir quemaduras u otras lesiones, NO toque el compresor mientras se encuentre en funcionamiento. Deje que se enfríe antes de manipularlo o realizar el mantenimiento. Mantenga a los niños alejados del compresor en todo momento.

! **ADVERTENCIA:** Al ajustar de una presión mayor a una menor, gire la perilla en dirección contraria a las manecillas del reloj más allá del ajuste deseado. Luego, gire la perilla en dirección de las manecillas del reloj hasta lograr la presión deseada. No exceda la presión de funcionamiento de la herramienta o los accesorios que se están utilizando.

- Cierre la válvula de descarga del tanque (G) girándola en dirección de las manecillas del reloj.
- Enchufe el cable de alimentación (J).
- Coloque el interruptor ON/OFF (I) en la posición I (encendido) y permita que la presión se acumule. El motor se detendrá cuando la presión del tanque alcance la presión de desactivación.
- Gire la perilla reguladora(D) de presión de aire en dirección de las manecillas del reloj hasta alcanzar la presión deseada.
- El compresor está listo para usar.

INSTRUCCIONES DE FUNCIONAMIENTO

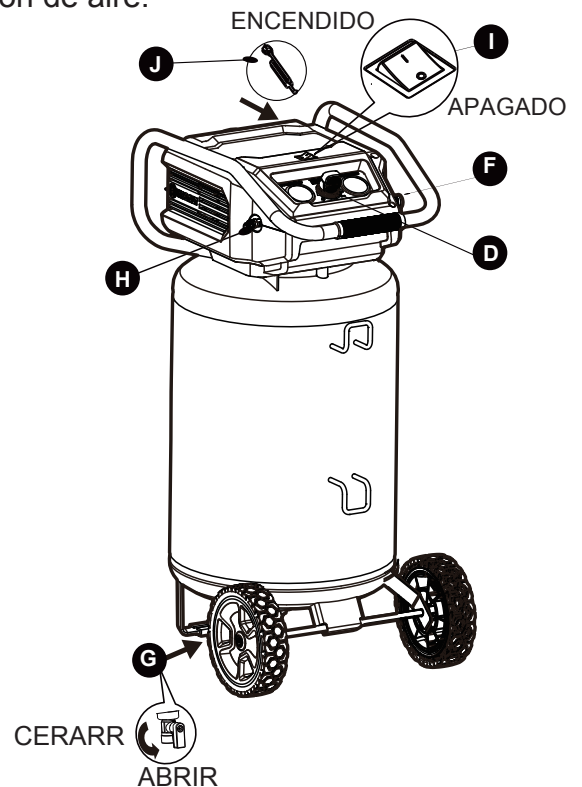
2. Apagado del compresor

⚠ ADVERTENCIA: Para evitar daños personales, siempre apague y desenchufe la unidad y libere toda la presión de aire del sistema antes de realizar cualquier tipo de mantenimiento en el compresor de aire.

⚠ ADVERTENCIA: Riesgos de funcionamiento inseguro. La unidad se enciende y apaga automáticamente cuando está encendida. Al realizarle mantenimiento, es posible que esté expuesto a fuentes de alto voltaje, aire comprimido o piezas en movimiento. Pueden ocurrir lesiones personales. Antes de realizar cualquier mantenimiento o reparación, desconecte la fuente de alimentación del compresor y purgue toda la presión de aire.

⚠ PRECAUCIÓN: Las fugas de aire y humedad pueden lanzar desechos que podrían causar lesiones en los ojos. Utilice gafas de seguridad al abrir la válvula de drenaje.

- Coloque el interruptor ON/OFF (I) en la posición O (apagado).
- Desenchufe el cable de alimentación (J).
- Reduzca la presión en el tanque a través de la manguera de salida. Tirar del anillo de la válvula de descarga de presión (H) y mantenerla abierta también ayudará a disminuir la presión en el tanque.
- Incline el compresor de modo que la válvula de drenaje del tanque quede en la parte inferior del tanque. Luego, gire la válvula de drenaje del tanque en dirección contraria a las manecillas del reloj para permitir que drene la humedad del tanque.

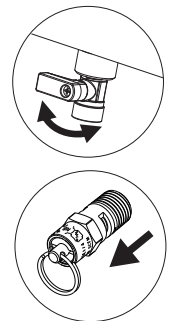


CUIDADO Y MANTENIMIENTO


⚠ ADVERTENCIA: Para evitar daños personales, siempre apague y desenchufe la unidad y libere toda la presión de aire del sistema antes de realizar cualquier tipo de mantenimiento en el compresor de aire.

El mantenimiento regular garantizará un funcionamiento sin problemas. Los artículos que se enumeran a continuación se deben inspeccionar en forma periódica.

- Drene el tanque a diario para evitar la corrosión en su interior. Drene la condensación al final de cada día. Utilice gafas de protección. Libere la presión de aire en el sistema y luego abra la válvula de drenaje que se encuentra en la parte inferior del tanque.
- Tire de la válvula de descarga en el anillo diariamente para garantizar que esté funcionando correctamente y eliminar de ella cualquier posible obstrucción.
- Antes de guardar la unidad durante un período prolongado, haga lo siguiente:
 - Utilice una pistola de aire (no se incluye) para limpiar todo el polvo y la suciedad del compresor.
 - Desconecte y enrolle el cable de alimentación.
 - Tire de la válvula de descarga de presión para liberar toda la presión del tanque.
 - Drene toda la humedad del tanque.
 - Cubra toda la unidad para protegerla de la humedad y del polvo.



SOLUCIÓN DE PROBLEMAS

PROBLEMA	CAUSA POSIBLE	ACCIÓN CORRECTIVA
Hay poca presión, aire insuficiente o el compresor no se detiene.	<ol style="list-style-type: none"> 1. La válvula de drenaje del tanque está abierta. 2. Hay una fuga en los conectores. 3. Hay un uso de aire prolongado o excesivo. 4. El compresor no es lo suficientemente grande. 5. Hay un orificio en la manguera de aire comprimido. 6. El tanque tiene fugas. 7. Los sellos están fundidos. 8. La válvula tiene fugas. 9. Hay un pistón que tiene fugas o está desgastado. 	<ol style="list-style-type: none"> 1. Cierre el tanque y drene la válvula. 2. Revise los conectores con agua jabonosa. Apriete o vuelva a sellar los conectores con fugas. NO APRIETE DEMASIADO. 3. Disminuya la cantidad de aire usado. 4. Verifique el requisito de aire o el accesorio. Si es más alto que los m³/min y la presión suministrada por el compresor, necesitará un compresor más grande. La mayoría de los accesorios están clasificados para el 25% de los m³/min reales que se utilizan durante el funcionamiento continuo. 5. Revise y reemplace si es necesario. 6.  ADVERTENCIA: Reemplace inmediatamente el tanque. NO intente repararlo. 7. Reemplace el ensamble del compresor. 8. Reemplace el ensamble del compresor. 9. Reemplace el ensamble del compresor.
Hay una fuga de aire en el regulador o el regulador no regula la presión de aire.	<ol style="list-style-type: none"> 1. Las piezas internas del regulador están sucias o dañadas. 	<ol style="list-style-type: none"> 1. Reemplace el regulador o las piezas internas del mismo.
La lectura en el indicador de presión regulado baja cuando se usa el accesorio de aire.	<ol style="list-style-type: none"> 1. Esto es normal. 2. El compresor no es lo suficientemente grande. 	<ol style="list-style-type: none"> 1. Si la presión baja demasiado, regule el regulador mientras usa el accesorio. 2. Verifique el requisito de aire o el accesorio. Si es más alto que los m³/min y la presión suministrada por el compresor, necesitará un compresor más grande. La mayoría de los accesorios están clasificados para el 25% de los m³/min reales que se utilizan durante el funcionamiento continuo.
La válvula de descarga de presión se abre.	<ol style="list-style-type: none"> 1. La presión del tanque excede la clasificación de presión normal. 2. El interruptor de presión está atascado. 	<ol style="list-style-type: none"> 1. Reemplace el interruptor de presión. 2. Reemplace el interruptor de presión.

SOLUCIÓN DE PROBLEMAS

PROBLEMA	CAUSA POSIBLE	ACCIÓN CORRECTIVA
<p>El motor no funciona.</p>	<ol style="list-style-type: none"> 1. La presión del tanque excede el límite preestablecido del interruptor de presión. 2. El fusible se fundió o el interruptor de circuito se desconectó. 3. La válvula de verificación está atascada en la posición abierta. 4. El calibre del cable en la extensión no es el correcto o la extensión eléctrica es demasiado larga. 5. Hay conexiones eléctricas sueltas. 6. La protección contra sobrecarga térmica del motor se desconectó. 7. El motor, el capacitor o la válvula de seguridad tienen fallas. 	<ol style="list-style-type: none"> 1. El motor arrancará automáticamente cuando la presión del tanque esté por debajo de la presión de activación. 2. Reemplace el fusible fundido o restablezca el interruptor de circuito. No use un fusible o interruptor de circuito con un circuito más alto. Verifique que usa el fusible adecuado; se acepta el fusible tipo T. Verifique si hay una baja de voltaje y asegúrese de que la extensión eléctrica sea del tamaño adecuado. Desconecte otras aplicaciones del circuito. Use el compresor en un circuito separado. 3. Retire y limpie o reemplace. 4. Verifique que el cable sea del calibre correcto y asegúrese de que la extensión eléctrica tenga el largo adecuado. 5. Póngase en contacto con un centro de servicio autorizado. 6. Apague la compresora de aire, desenchufe el cable de alimentación y espere hasta que el motor se haya enfriado. Enchufe el cable de alimentación solo después de que el motor se haya enfriado, y espere al menos 5 minutos para asegurarse de que el protector contra sobrecarga térmica se haya recuperado. 7. Haga que un técnico calificado dé mantenimiento al compresor.

1 AÑO DE GARANTÍA LIMITADA

Este producto cuenta con garantía por un período de un año desde la fecha de compra original contra defectos en los materiales y la mano de obra.

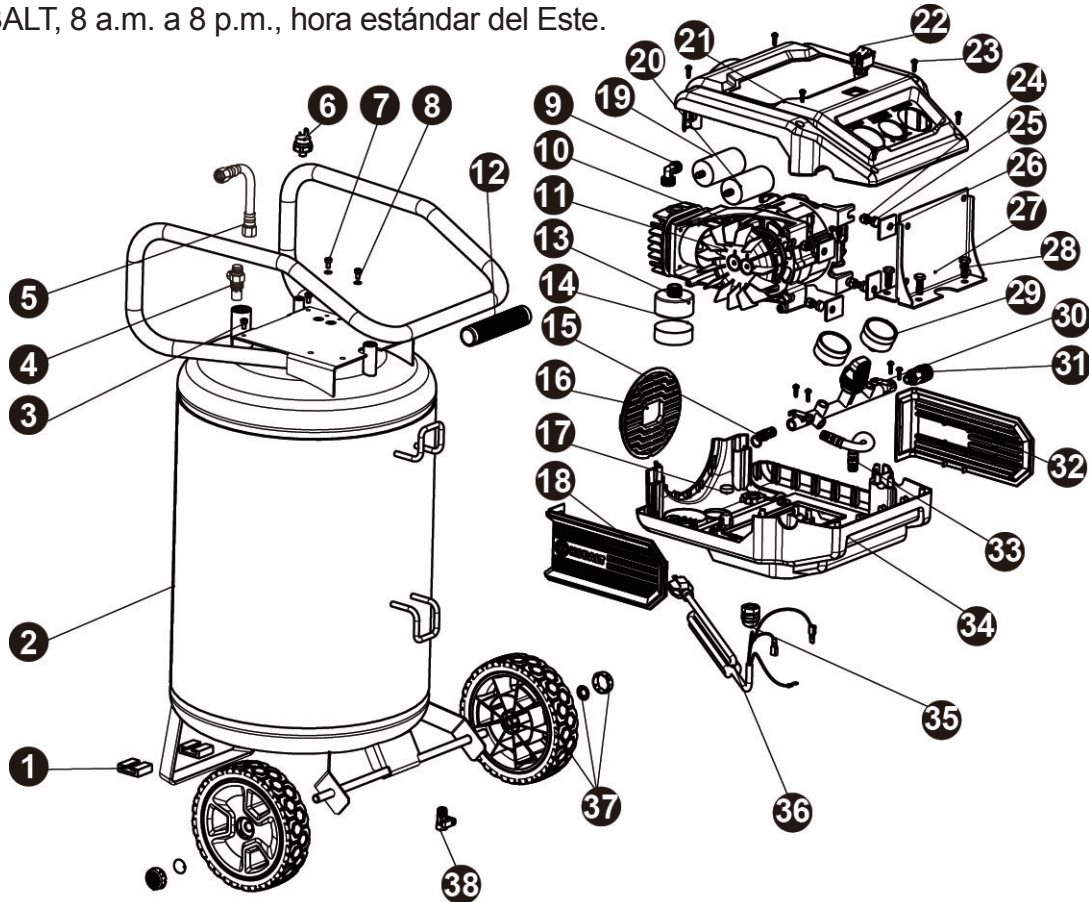
Este producto está sujeto a las condiciones y limitaciones que se describen a continuación y, en caso de ser devuelto con un comprobante de compra dentro del período de vigencia de la garantía y estar cubierto por esta garantía, será reparado o reemplazado (por el mismo modelo o por uno de igual valor o especificación), según nuestro criterio. Asumiremos el costo de cualquier reparación o reemplazo y los costos de mano de obra relacionados.

Esta garantía está sujeta a las siguientes condiciones y limitaciones:

- a. Debe proporcionarse una factura de compra que verifique la compra y la fecha de compra.
- b. Esta garantía no se aplicará a ningún producto o pieza que esté gastado, roto o que haya dejado de funcionar debido al abuso, uso inadecuado, daño accidental, negligencia o falta de instalación, funcionamiento o mantenimiento adecuados (como se describe en el manual del propietario correspondiente o en las instrucciones de funcionamiento) o que se esté utilizando para fines industriales, profesionales, comerciales o de alquiler.
- c. Esta garantía no se aplicará al desgaste producto del uso normal ni a las piezas o los accesorios fungibles que podrían suministrarse con el producto, el cual se prevé que se volverá inoperante o inutilizable tras un período razonable de uso.
- d. Esta garantía no se aplicará al mantenimiento de rutina ni a los elementos fungibles como, entre otros, combustible, lubricantes, bolsas para aspiradoras, cuchillas, correas, papel de lija, puntas, fluidos, afinamientos o ajustes.
- e. Esta garantía no se aplicará si el daño es causado por reparaciones hechas o que se hayan intentado hacer por terceros (es decir, personas no autorizadas por el fabricante).
- f. Esta garantía no se aplicará a ningún producto que se haya vendido al comprador original como un producto reacondicionado o restaurado (a menos que se especifique lo contrario por escrito).
- g. Esta garantía no se aplicará a ningún producto o pieza si hubiera instalada alguna pieza de otro fabricante o si se hubieran hecho o intentado hacer reparaciones o modificaciones por personas no autorizadas.
- h. Esta garantía no se aplicará al deterioro normal del acabado exterior como, entre otros, rayones, abolladuras, trozos de pintura o a cualquier corrosión o decoloración producida por el calor y por limpieza con químicos abrasivos.
- i. Esta garantía no se aplicará a las piezas componentes vendidas e identificadas como producto de otra compañía, que serán cubiertas por la garantía del fabricante del producto, si corresponde.

LISTA DE PIEZAS DE REPUESTO

Para obtener piezas de repuesto, llame a nuestro Departamento de Servicio al Cliente al 1-888-3KOBALT, 8 a.m. a 8 p.m., hora estándar del Este.



PIEZA	NOMBRE DE LA PIEZA	NÚMERO DE PIEZA
1	Pie de goma	X363059010
2	Tanque de aire	CE0302L.10.00
3	Perno M6x12mm	J0784330032
4	Válvula de control	WCFADX.02.03
5	Tubo de transferencia	CE0302L.60.00
6	Interruptor de presión	D3003000012
7	Perno M5x10	J0789780032
8	Arandela de seguridad Ø5	J2981200040
9	Codo	J3162920037
10	Ensamble del motor/la bomba	2263C064
11	Ventilador	J1950320168
12	Agarre de la manija	X3681020109
13	Soporte del filtro de aire	CE0302L.40.02
14	Filtro de esponja	CE0302L.40.03
15	Válvula de descarga	J0022520037
16	Panel de ventilación posterior	CE0302L.00.04
17	Almohadilla acolchada I	CE0302L.30.03
18	Panel de ventilación lateral I	CE0302L.00.02
19	Capacitor, 250 µf	D9241134056

PIEZA	NOMBRE DE LA PIEZA	NÚMERO DE PIEZA
20	Capacitor, 60 µf	D6009006001
21	Carcasa superior	CE0302L.00.05
22	Interruptor de encendido/apagado	D3003000011
23	Tornillo autorroscante ST3.9x16mm	J0780270167
24	Tuerca M8	J2022870040
25	Perno M8x25	J0805800040
26	Almohadilla acolchada II	J0805800040
27	Placa de montaje	CE0302L.40.01
28	Perno hexagonal M8x25	J0801190157
29	Indicador de presión	F5013700184
30	Regulador	WCFATY.04.05
31	Acoplador rápido	J2992050037
32	Panel de ventilación lateral II	CE0302L.00.03
33	Manguera de goma	J0996800083
34	Carcasa inferior	CE0302L.30.01
35	Tuerca del ancla de expansión	Q3113177001
36	Cable de alimentación	CE0302L.30.02
37	Rueda	CE0302L.70.00
38	Válvula de drenaje	J0902530037

Kobalt® es una marca registrada de LF, LLC. Todos los derechos reservados. Impreso en China