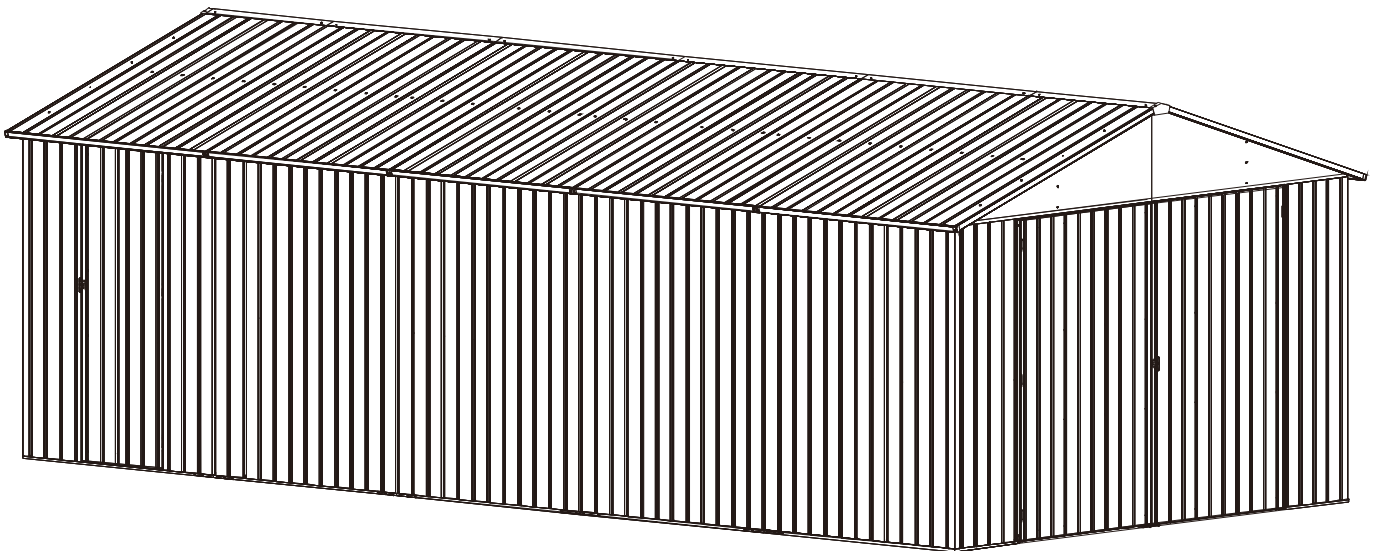




12' X 25'  
Steel Garage  
**ASSEMBLY MANUAL**



**MODEL#: LGCF1685**

Missing part? Damaged? Contact us via email at

[service@domioutdoorliving.com](mailto:service@domioutdoorliving.com)

[www.domioutdoorliving.com](http://www.domioutdoorliving.com)

© Copyright 2023–2025 domi LLC. All Rights Reserved.

# STOP

Missing Parts, Questions on Assembly?

Email me: [service@domioutdoorliving.com](mailto:service@domioutdoorliving.com)

Do not return to dealer they are not  
equipped to handle your requests.

We will reply to you within 1 business day.

## **PLAN AHEAD**

Before beginning installation, check local building codes regarding footings, location and other requirements.

Study and understand this instruction.

Important information and helpful tips will make your installation easier and more enjoyable.

**Tools and Materials:** There are some basic tools and materials you will need for the installation. Decide which method of anchoring and the type of foundation you wish to use in order to form a complete list of the materials you will need.

## **BEFORE YOU BEGIN**

**Assembly Instruction:** Instructions are supplied in this manual and contain all appropriate information for your installation. Review all instructions before you begin, and during assembly, follow the step sequence carefully for correct results.

**Parts List:** Check to be sure that you have all the necessary parts and quantities in your package. These are packaged within the carton. Note that extra fasteners have been supplied for your convenience.

**Explosion Diagram:** All parts except screws and bolts are shown in this diagram, review all parts before you begin. Familiarize yourself with the hardware and fasteners for easier use during installation.

## ***Pre-assembly***



1. Two or more people are required for assembly.



2. You will need one or more stepladders.



3. Wearing protective gloves is recommended.



4. You may need a safety hat.



5. Please use a Phillips screw driver.



6. For ease of construction, you may need a drill.



7. You may need a safety goggle.



8. Do not fully tighten screws prior to complete assembly.

## ***Warning & Attention***

-Try to assemble this product on the flat ground, otherwise it is difficult to carry out;

-It would be much easier to assemble the product with three or more people;

-Gaskets must be used.

-After assembly, please check whether all screws are tightened, to prevent parts from falling apart.

▲ Use bolts to secure the frame to the ground to against the strong wind.



Please stand inside the shed frame when installing the panels for convenience.

# ASSEMBLY TIPS & TOOLS

---

---

**Watch the Weather Closely:** Be sure the day you choose to install your building is dry and calm. Do **NOT** attempt to assemble your building on a windy day. Be careful on wet or muddy ground.

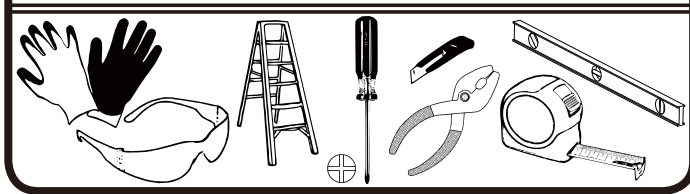
**Use Teamwork:** Two or more people are required to assemble your building. One person can hold the parts or panels in place while the other person fastens them together and handles the tools. This makes the process of assembling your building faster and safer.

**Tools and Materials:** Here is a list of some basic tools and materials you will need to assemble your building. Decide which method of anchoring and the type of base you will use to make a complete list of the materials you will need.

---

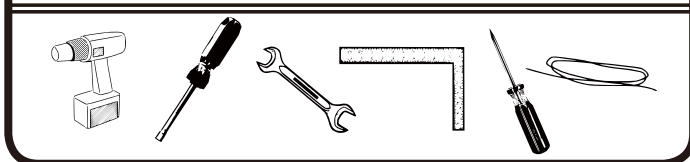
---

## WHAT YOU NEED



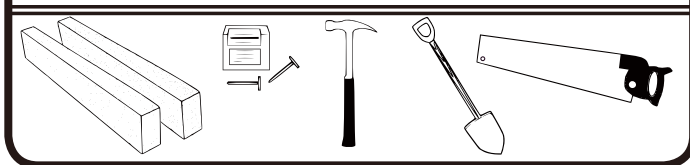
- Work Gloves
- Safety Glasses
- Step Ladder
- No. 2 Phillips Screwdriver (Magnetic Tip Preferred)
- Utility Knife or Scissors
- Pliers
- Carpenter's Level
- Tape Measure

## RECOMMENDED TIME SAVERS



- Power Drill (Cordless, Variable Speed)
- Nut Driver or Wrench
- Square
- String (for squaring the frame)
- Awl (to align holes)

## BASE PREPARATION TOOLS



- Lumber and/or Concrete
  - Hammer and Nails
  - Spade or Shovel
  - Hand Saw or Power Saw
- 
- 

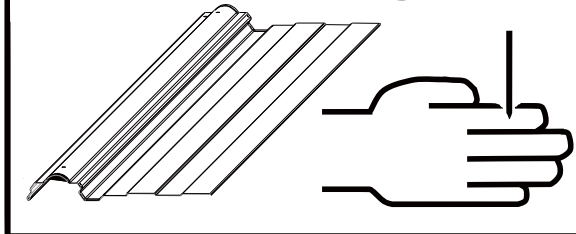
**How to Select and Prepare Your Building Site:** Before you start to assemble your building, you will want to decide on a good location. The best location is a level area with good drainage.

- Allow enough working space so it is not difficult to move parts into position for assembly. Be sure there will be enough space at the entrance for the doors to completely open. Also, there needs to be enough space outside the building to be able to fasten the panel screws from the outside.
- Before assembling any parts, your base should be constructed and an anchoring system should be ready to use.

# SAFETY PRECAUTIONS...

*Safety precautions MUST be followed at all times throughout the construction of your building!*

## sharp edges



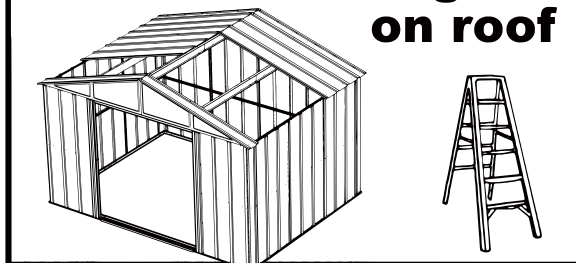
Care must be taken when handling various pieces of your building since many contain sharp edges. Please wear work gloves, eye protection and long sleeves when assembling or performing any maintenance on your building.

## no children or pets at worksite



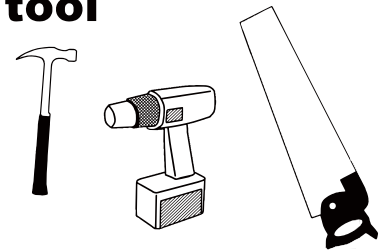
Keep children and pets away from the worksite during construction and until the building is completely assembled. This will help avoid distractions and any accidents which may occur.

## don't focus weight on roof



NEVER concentrate your weight on the roof of the building. When using a step ladder make sure that it is fully open and on even ground before climbing on it.

## always practice proper tool safety



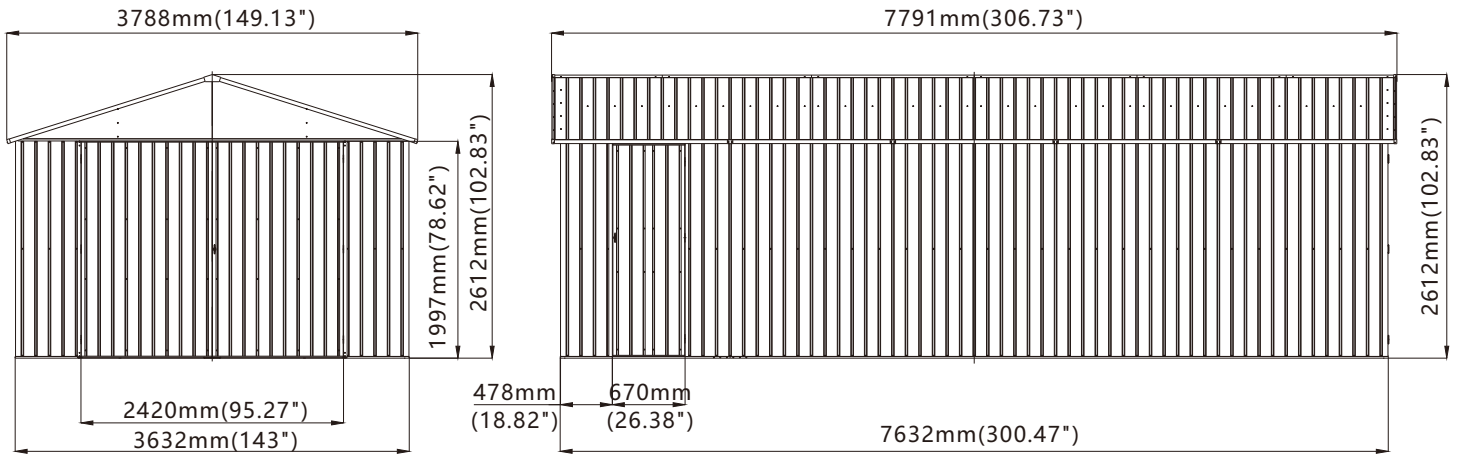
Practice caution with the tools being used in the assembly of this building. Be especially familiar with the operation of all power tools.

## beware of wind

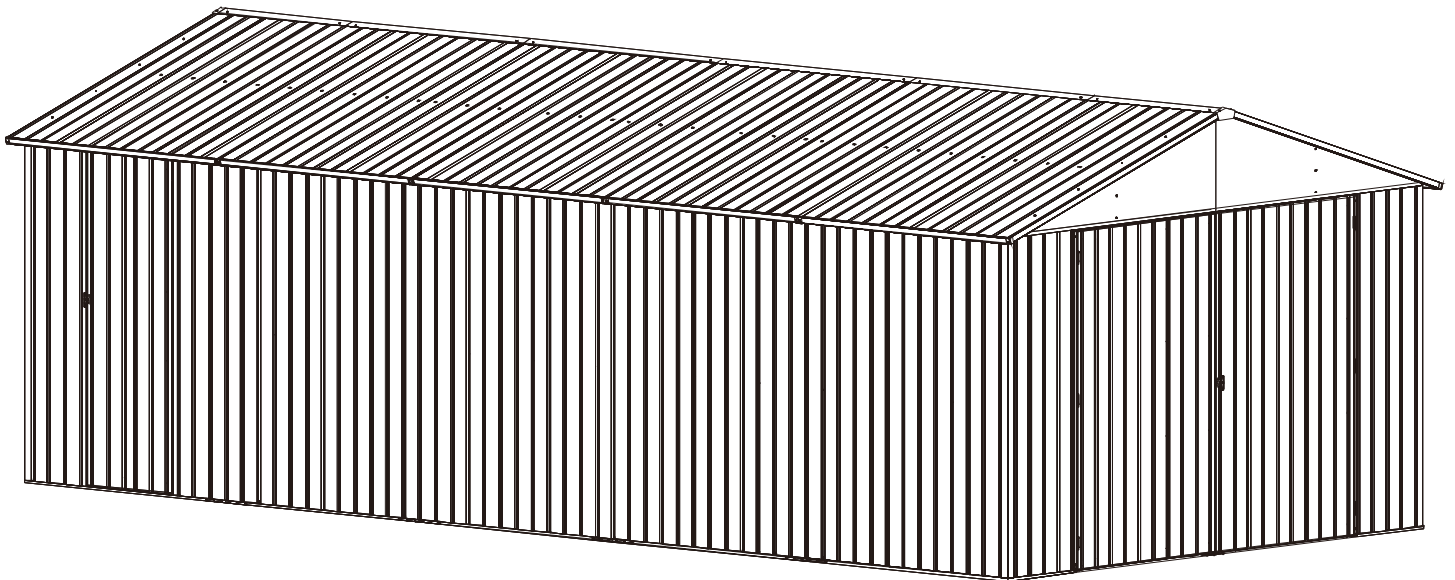


Do NOT attempt to assemble your building on a windy day. The large panels can catch the wind like a "sail", causing them to be whipped around making construction difficult and unsafe.

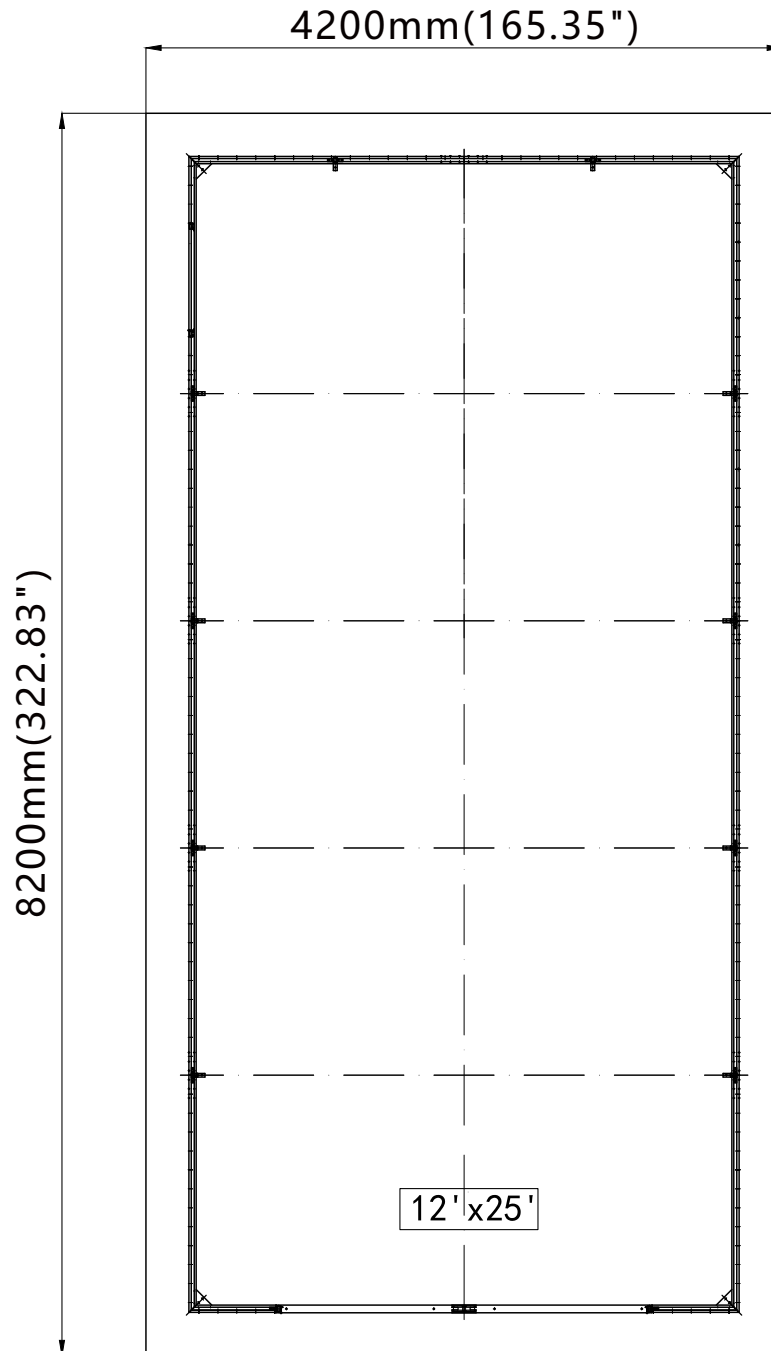
Do NOT attempt to assemble your building before double checking that you have all the parts indicated in the parts lists as well as all hardware. Any building left partially assembled may be seriously damaged by even light winds.



Garden shed  
 LGCF1685  
 12' X25'



# The Base For Your Building



## Concrete Slab

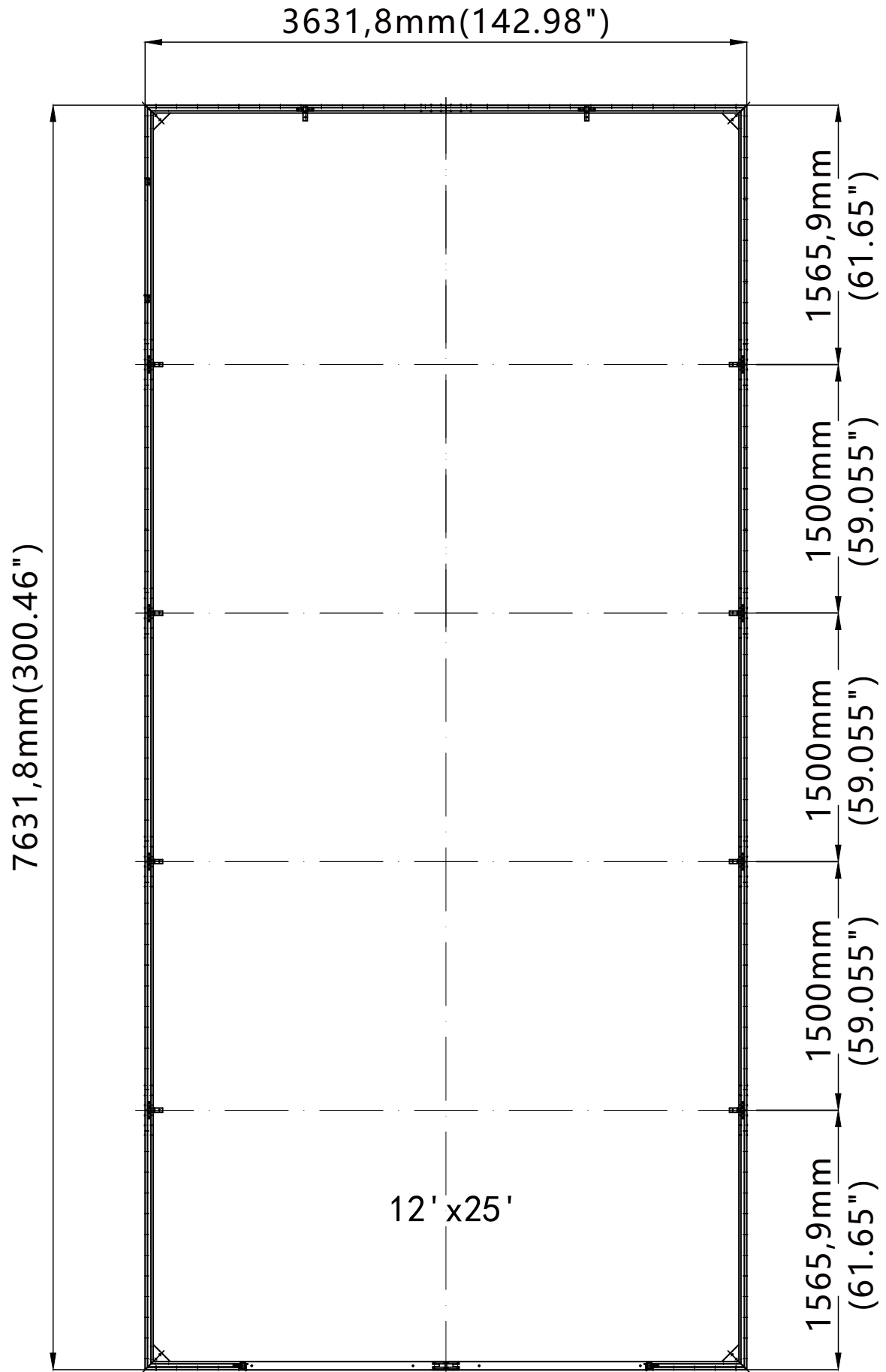
The slab should be at least 4" (10,2 cm) thick. It must be level and flat to provide good support for the frame.


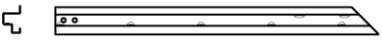





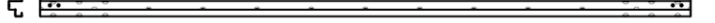


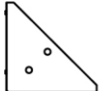
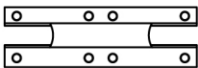

Prepare the Site/Construct a Base











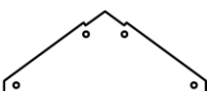





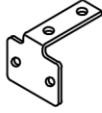
1. Dig a square, 6" (15,2 cm) deep into the ground (remove grass).
2. Fill up to 4" (10.2 cm) in the square with gravel and tamp firm.
3. Cover gravel with a sheet of 6 mil plastic.
4. Construct a wood frame using four planks of 2x4 (38 mm x 89 mm) lumber.
5. Pour in concrete to fill in the hole and the frame giving a total of 4" (10,2 cm) thick concrete. Be sure surface is level.

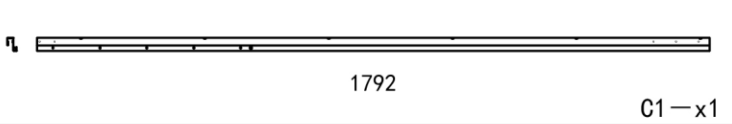
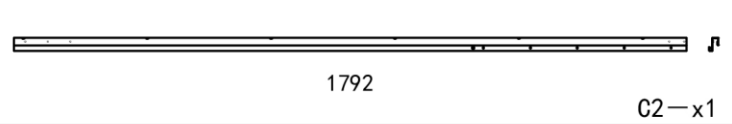
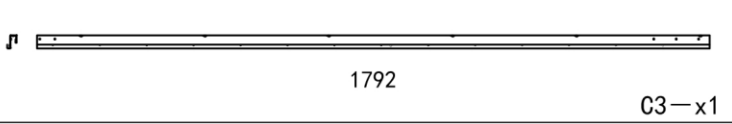
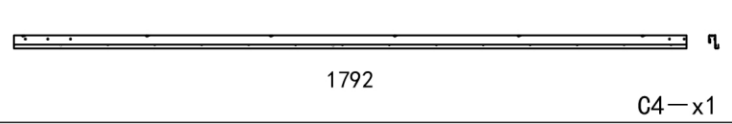
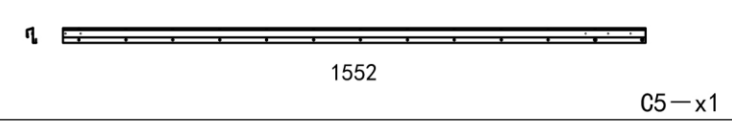
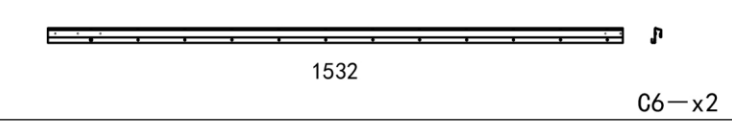
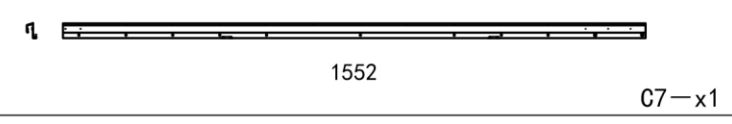
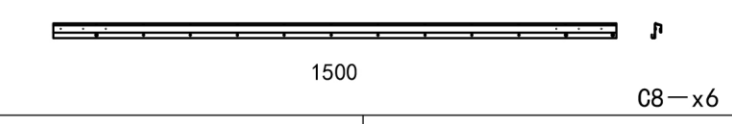
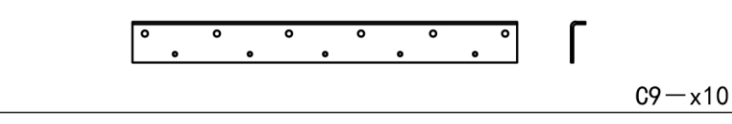
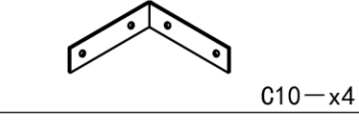
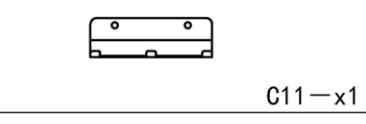
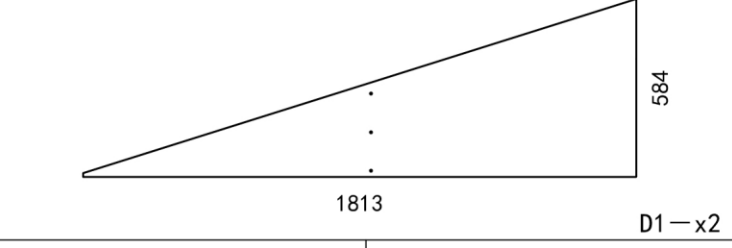
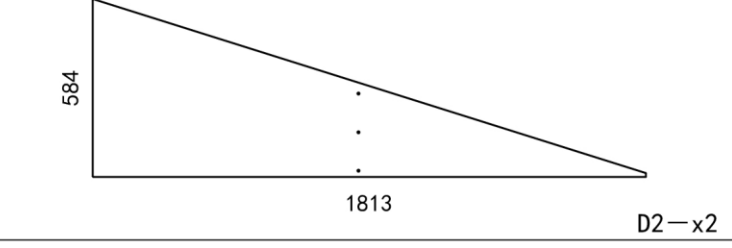
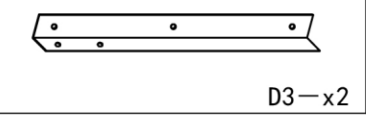
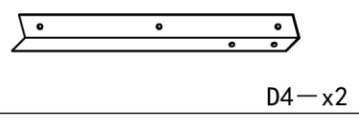
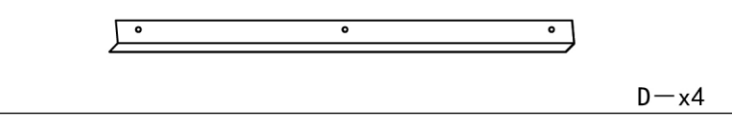
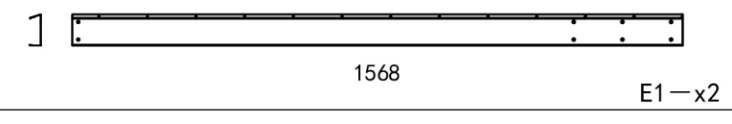
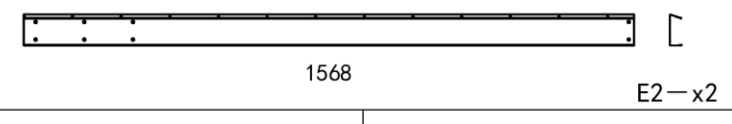
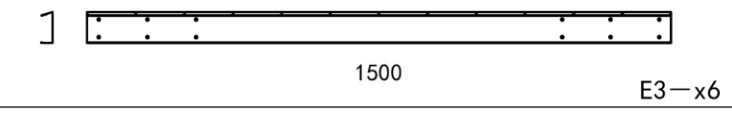
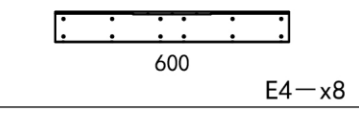
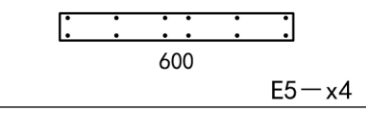
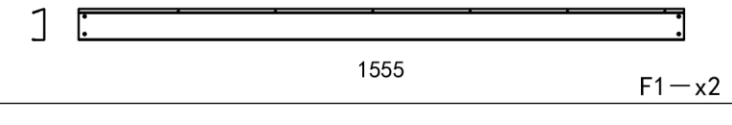
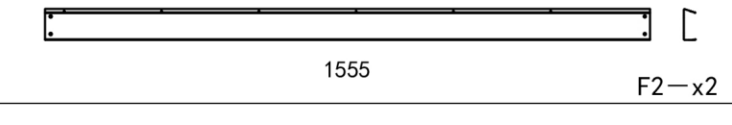
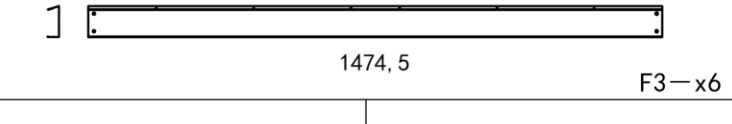
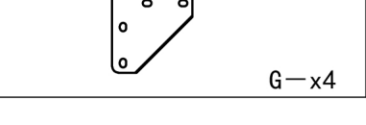
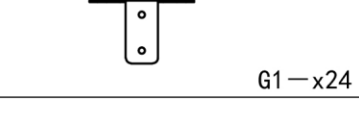
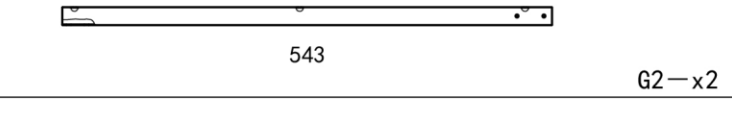
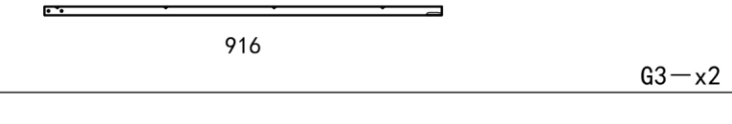
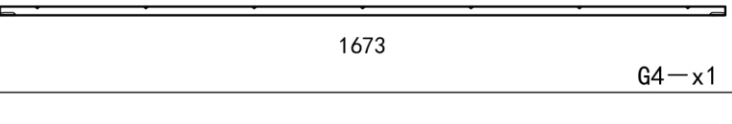

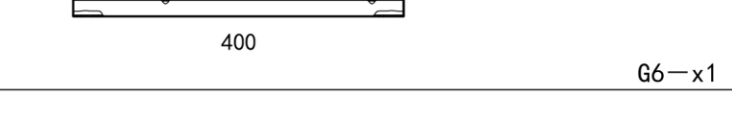
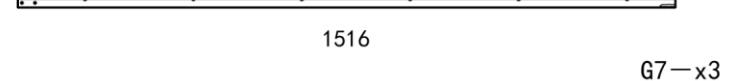
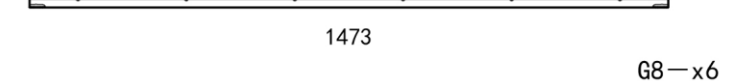
Note: Before beginning construction, check local building codes regarding footings, location and other requirements.

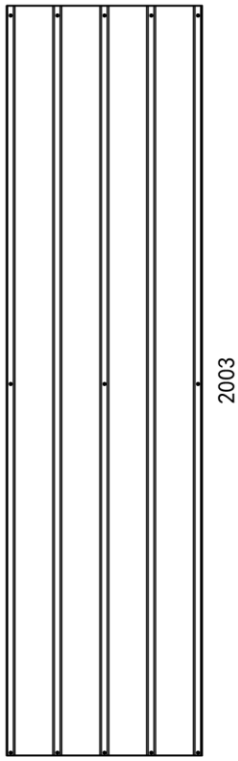
# Base Frame Dimension



 <p>573</p>		 <p>573</p>	
A1-x1		A2-x1	
 <p>1814</p>		 <p>1814</p>	
A3-x1		A4-x1	
 <p>1564</p>		 <p>1564</p>	
A5-x1		A6-x2	
 <p>1564</p>		 <p>1500</p>	
A7-x1		A8-x6	
 <p>1240, 5</p>		 <p>A10-x9</p>	 <p>A11-x4</p>
A9-x2			
 <p>A12-x1</p>	 <p>A13-x10</p>		

 <p>2016, 5</p>	 <p>2016, 5</p>	 <p>2015</p>	 <p>2015</p>	 <p>2004</p>	 <p>2004</p>	 <p>2019</p>	
B1-x1	B2-x1	B3-x1	B4-x1	B5-x1	B6-x1	B7-x2	
 <p>1996</p>	 <p>1844</p>		 <p>1900</p>				
	B9-x8		B10-x4				
				 <p>550</p>			
	B11-x16			B12-x4			
							
B13-x8			B14-x8				
							
B15-x2		B16-x22		B17-x2			

 1792 C1-x1	 1792 C2-x1	
 1792 C3-x1	 1792 C4-x1	
 1552 C5-x1	 1532 C6-x2	
 1552 C7-x1	 1500 C8-x6	
 1552 C9-x10	 C10-x4	 C11-x1
 1813 584 D1-x2	 584 1813 D2-x2	
 D3-x2	 D4-x2	 D-x4
 1568 E1-x2	 1568 E2-x2	
 1500 E3-x6	 600 E4-x8	 600 E5-x4
 1555 F1-x2	 1555 F2-x2	
 1474,5 F3-x6		
 G-x4	 G1-x24	 543 G2-x2
 916 G3-x2	 1673 G4-x1	
 443 G5-x1	 400 G6-x1	
 1516 G7-x3	 1473 G8-x6	



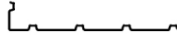
2003



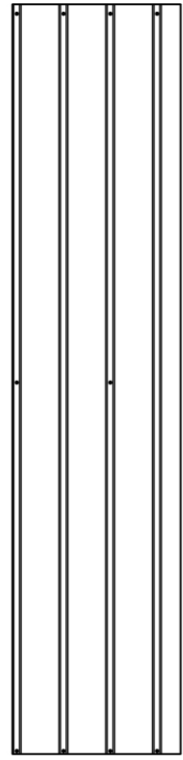
H-x32



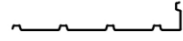
2003



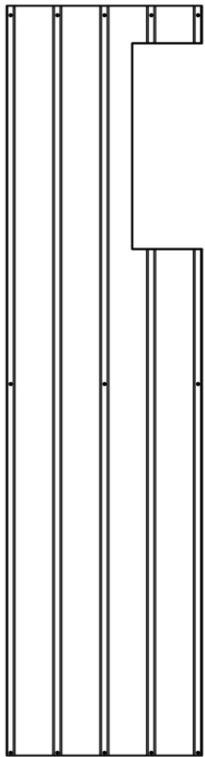
H1-x2



2003



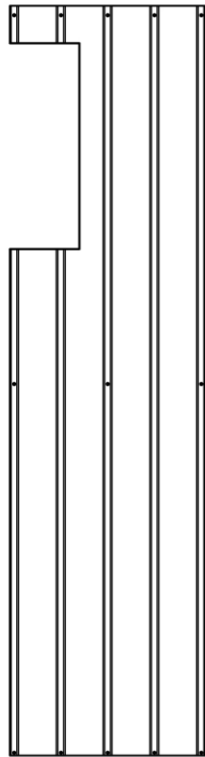
H2-x2



2003



H3-x1



2003



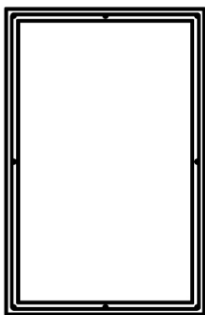
H4-x1



2003



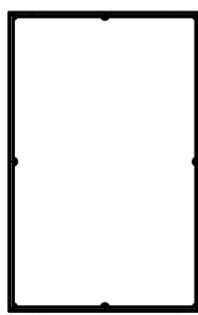
H5-x1



570

370

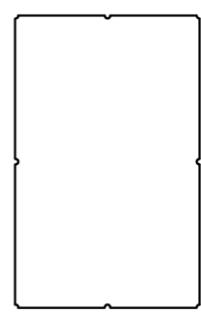
H6-x1



556

356

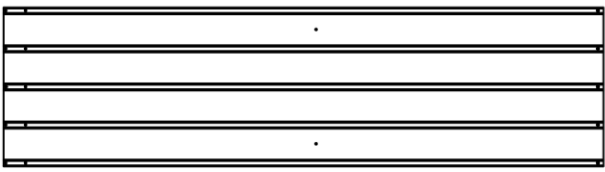
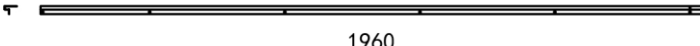
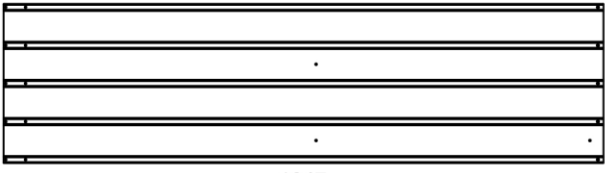

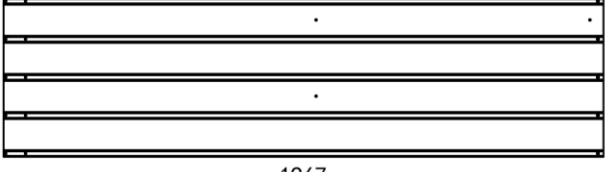
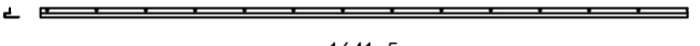
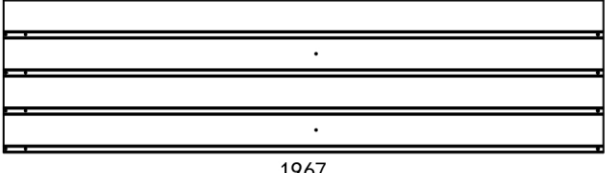
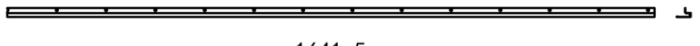

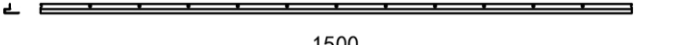
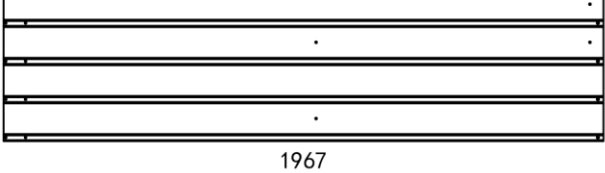

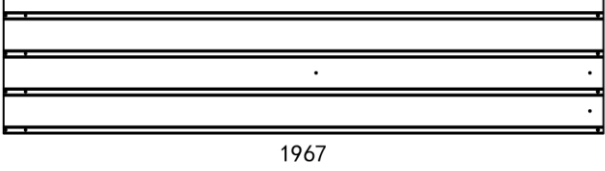
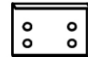
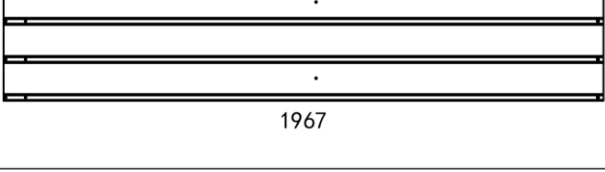

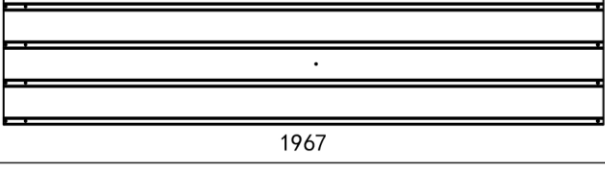
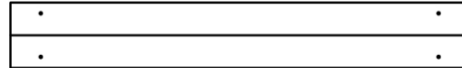
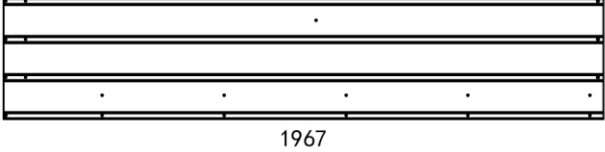
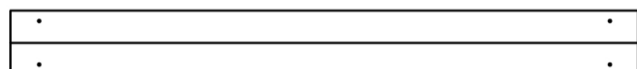
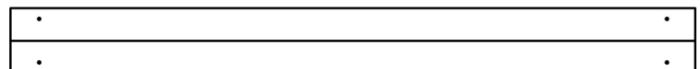
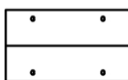

H7-x1



542

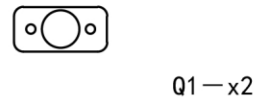
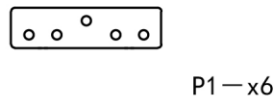
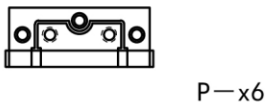
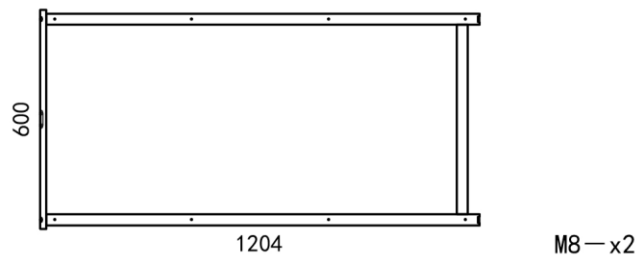
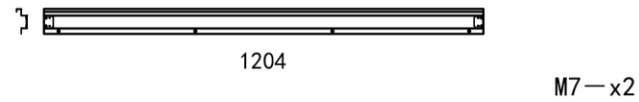
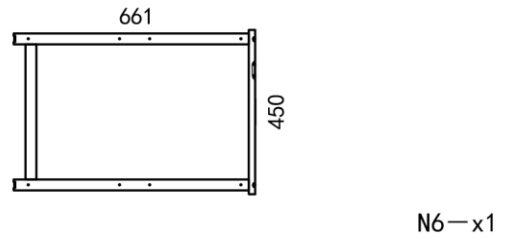
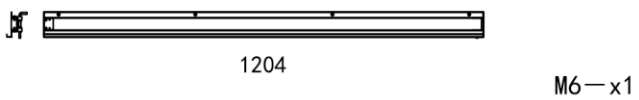
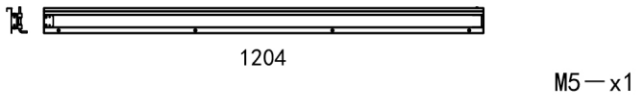
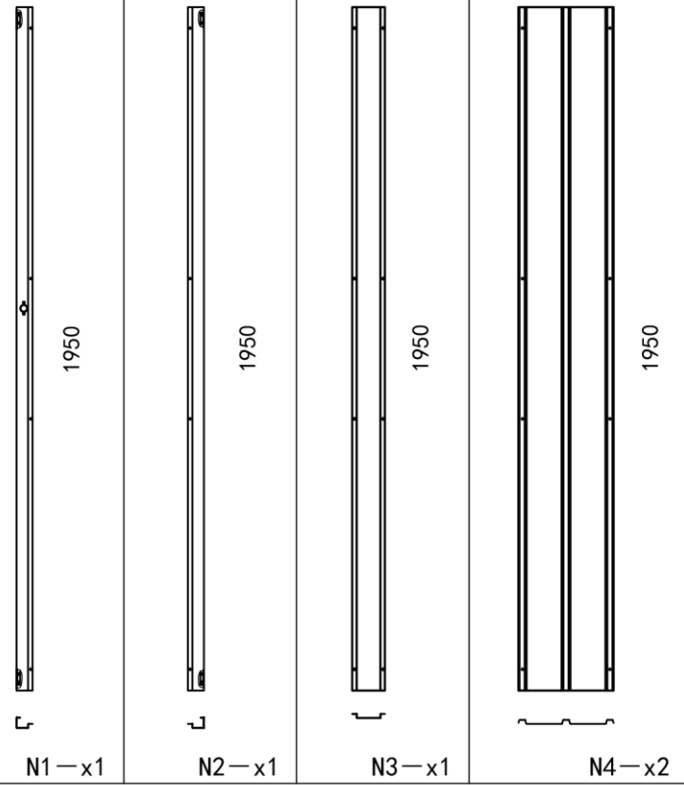
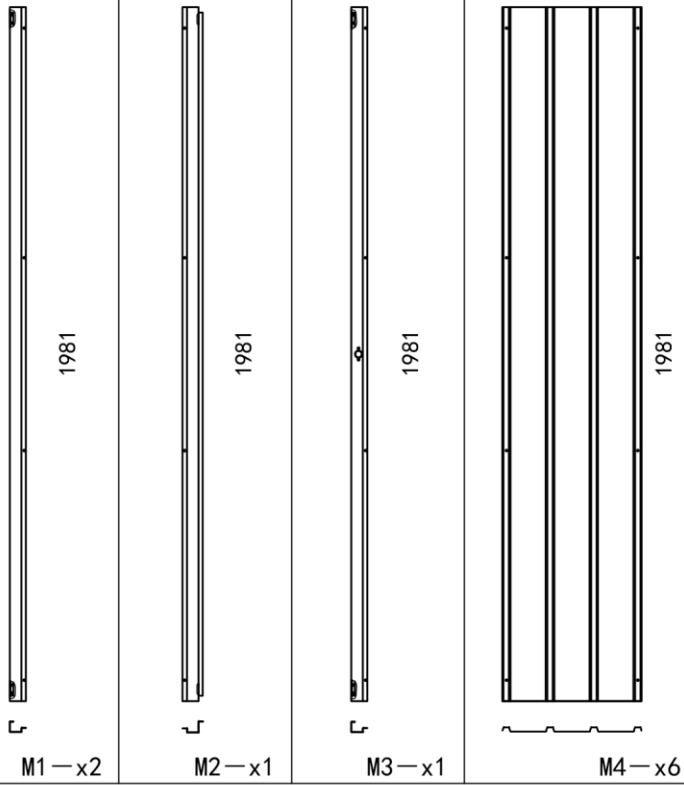
342





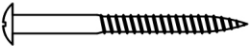









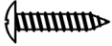
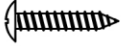


H8-x1

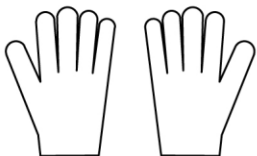
 1967	J9—x4	 1960	K2—x2
 1967	J8—x6	 1960	K1—x2
 1967	J7—x6	 1641,5	K3—x2
 1967	J6—x2	 1641,5	K4—x2
 1967	J5—x2	 1500	K5—x6
 1967	J4—x2	 K—x2	K6—x8
 1967	J3—x2	 K7—x2	K7—x2
 1967	J—x4	 K8—x2	K8—x2
 1967	J2—x2	 1000	L—x2
 1967	J1—x2	 1375	L1—x2
		 1500	L2—x2
		 L3—x5	L3—x5
		 L4—x182	L4—x182

# Front Door

# Side Door



	M5x8	1# — x8
	M5x10	2# — x24
	M6x12	3# — x168
	M6x16	4# — x4
 		5# — x4
	ST3.5x16	6# — x8
	M4x6	7# — x234
	M4x8	8# — x42
	M4x10	9# — x48
	M4x8	10# — x60
	M4x8	11# — x28
	M4x8	12# — x24
	4x10	13# — x585
	4x20	14# — x122
	4x22	15# — x60
	4x16	16# — x76
	4x12	17# — x363



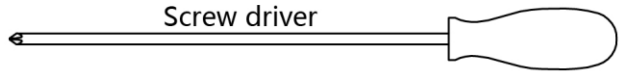
Gloves



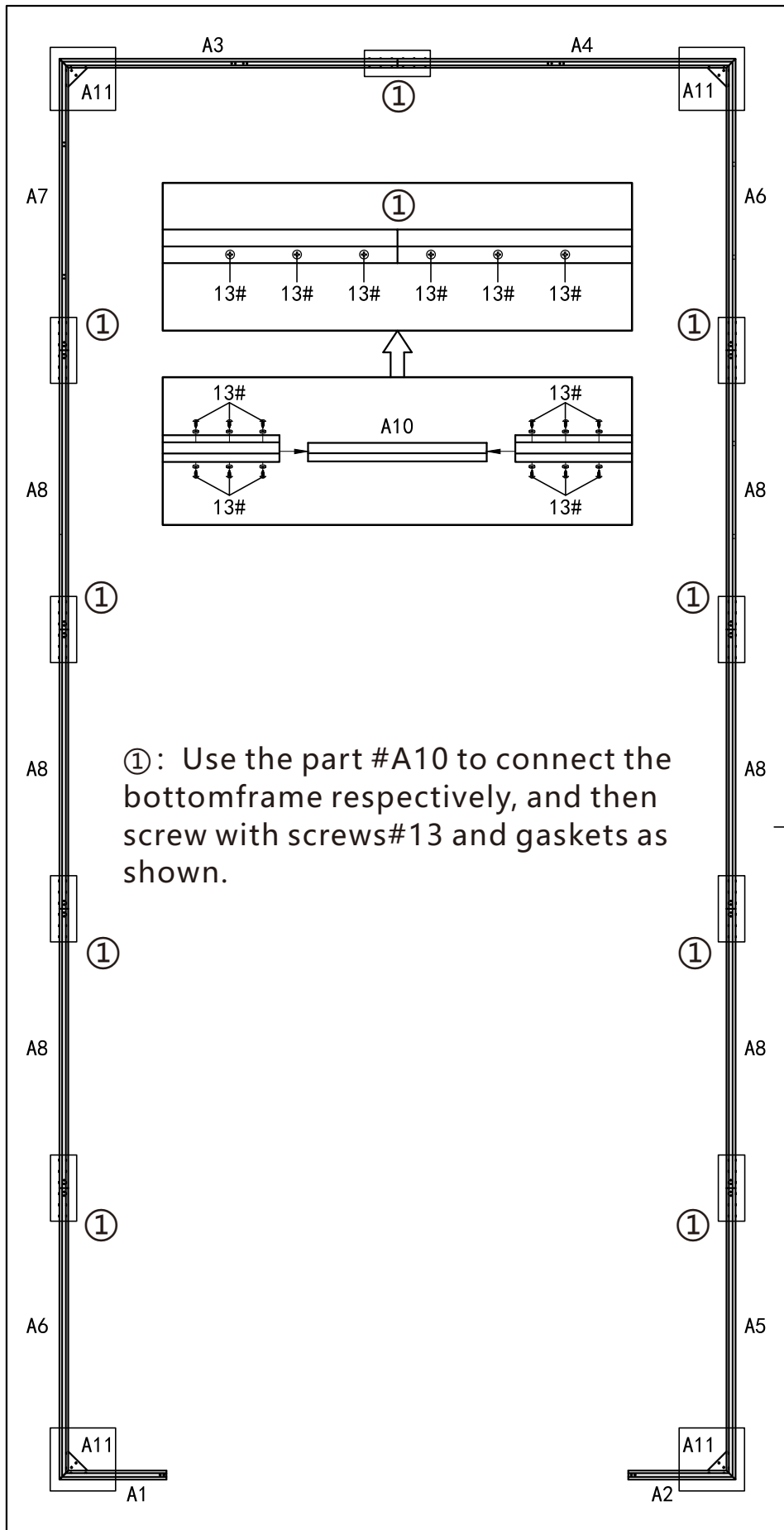
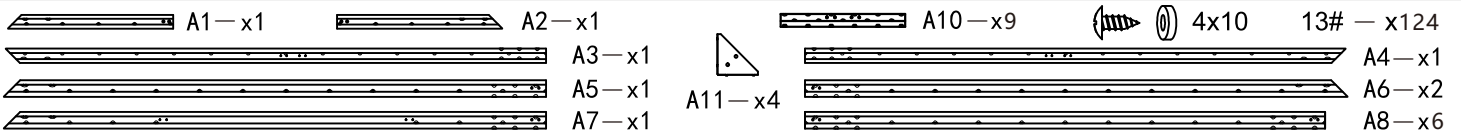
Hexagonal socket wrench

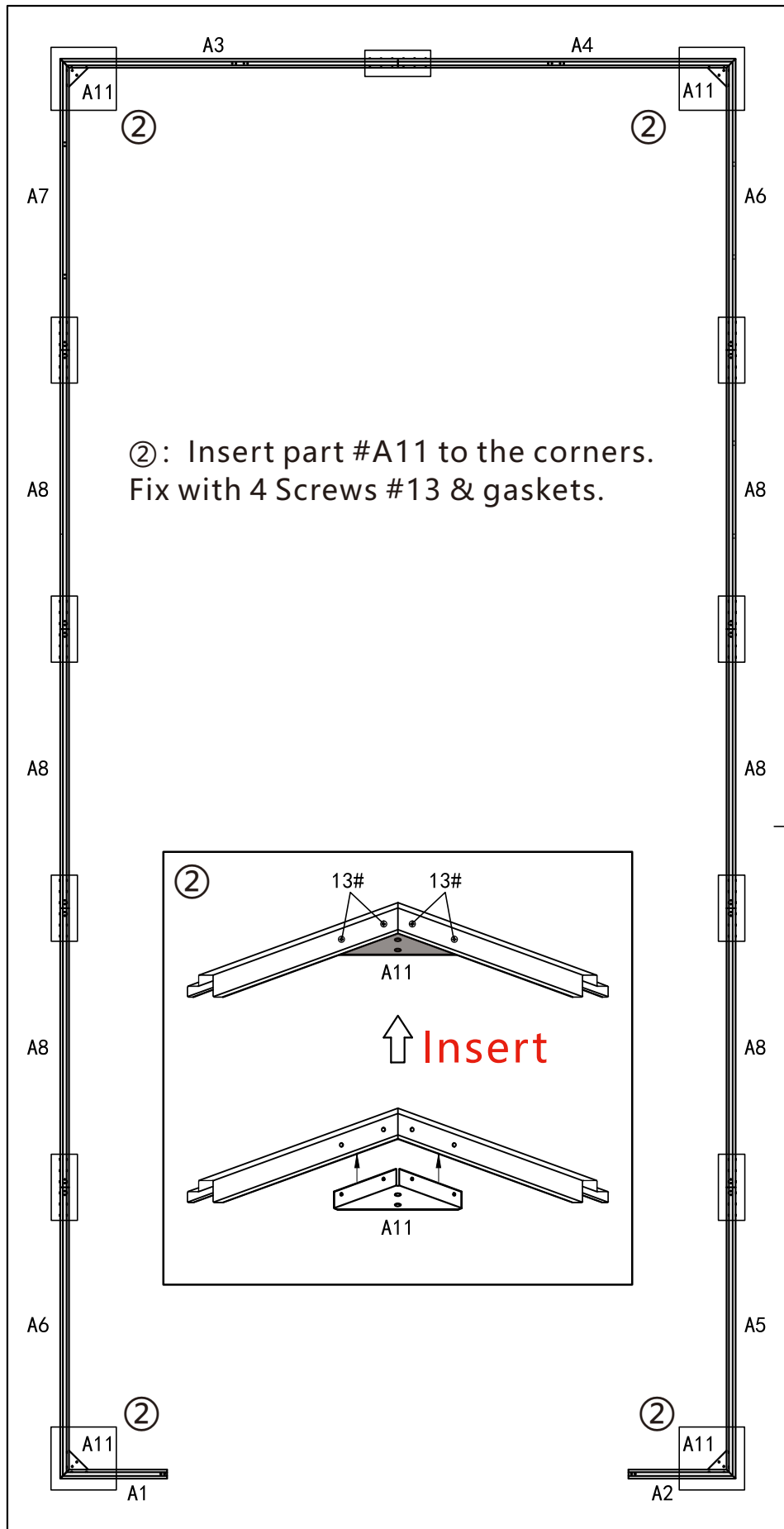


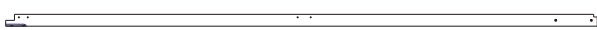
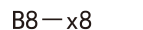



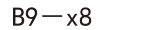


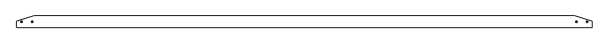

Hole Position Correct Drill

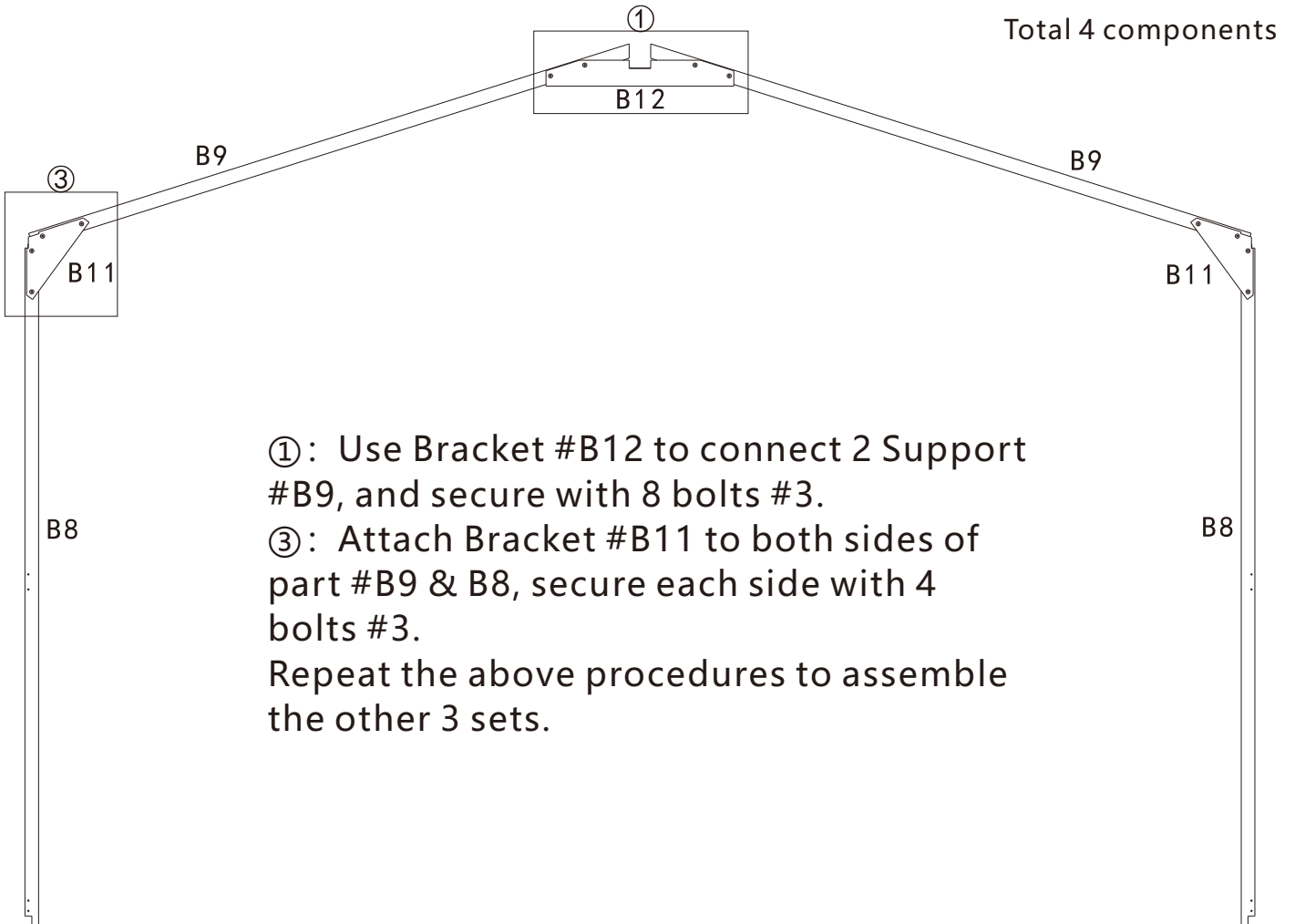
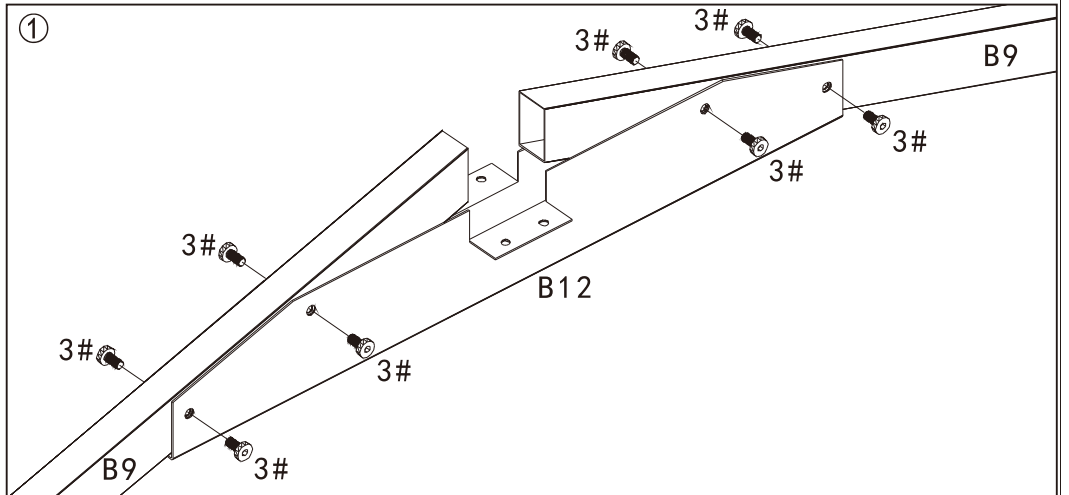
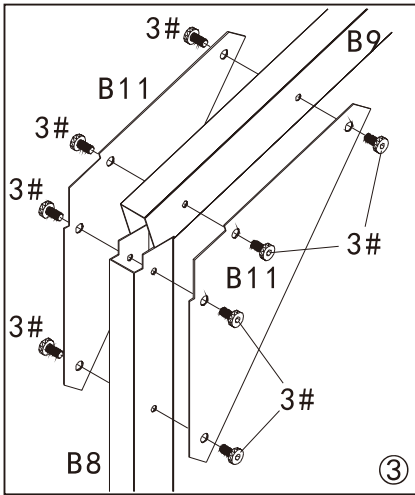
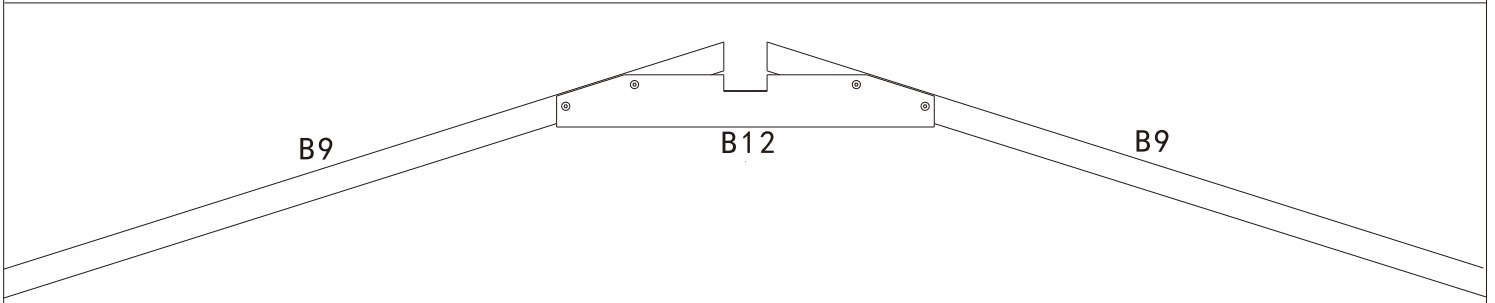


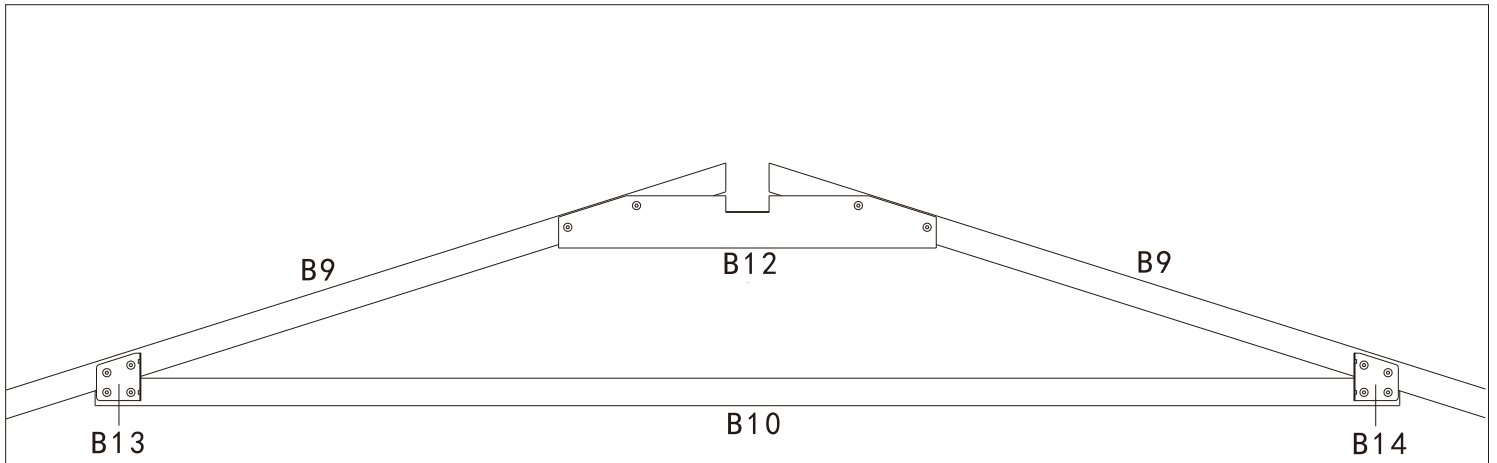
Screw driver



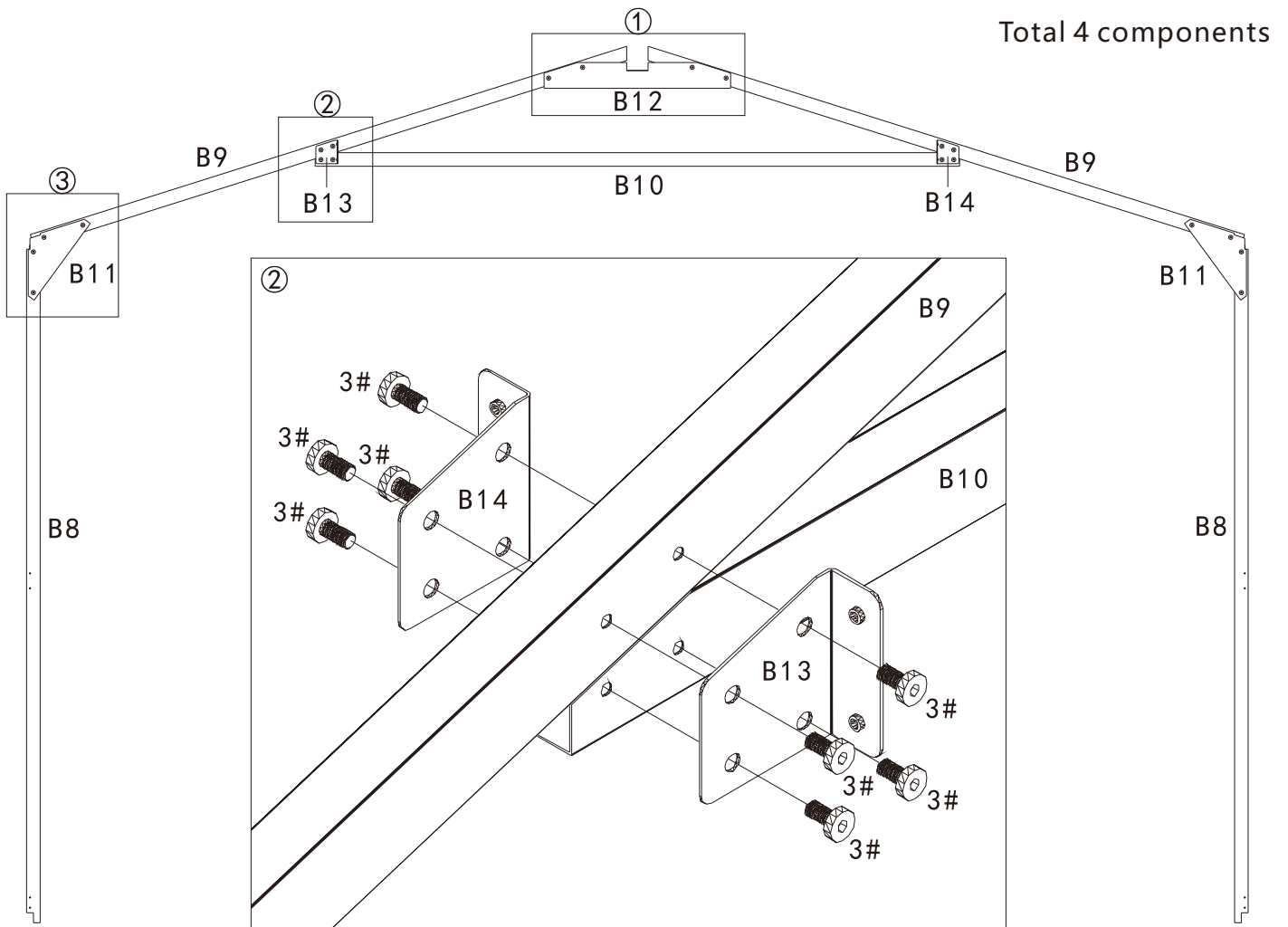


	B8—x8		B11—x16		B12—x4		B13—x8
	B9—x8		B10—x4				M6x12 3# — x160
	B10—x4						B14—x8

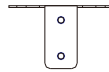




②: Attach Bracket #B13 & #B14 to both sides of part #B9 & B10, secure each side with 4 bolts #3.  
Repeat the above procedures to assemble the other 3 sets.



G8-x6



G1-x12



4x12

17# - x24

Insert #G1 into #G8 and secure with 2 screws #17 and gaskets.  
Repeat the above procedures to assemble the other 5 sets.

G8

17#

17#

Insert

G1

G1

G8

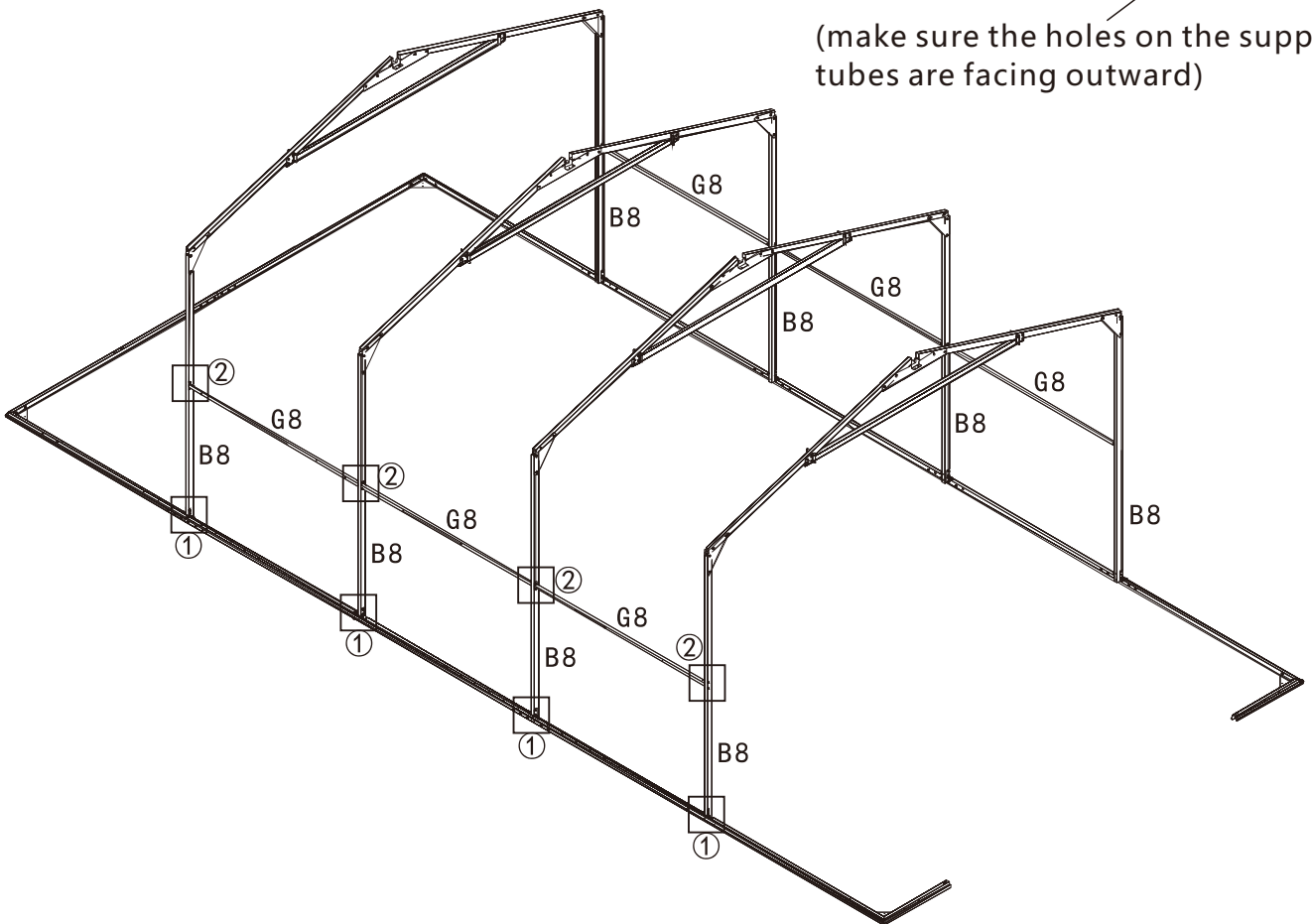
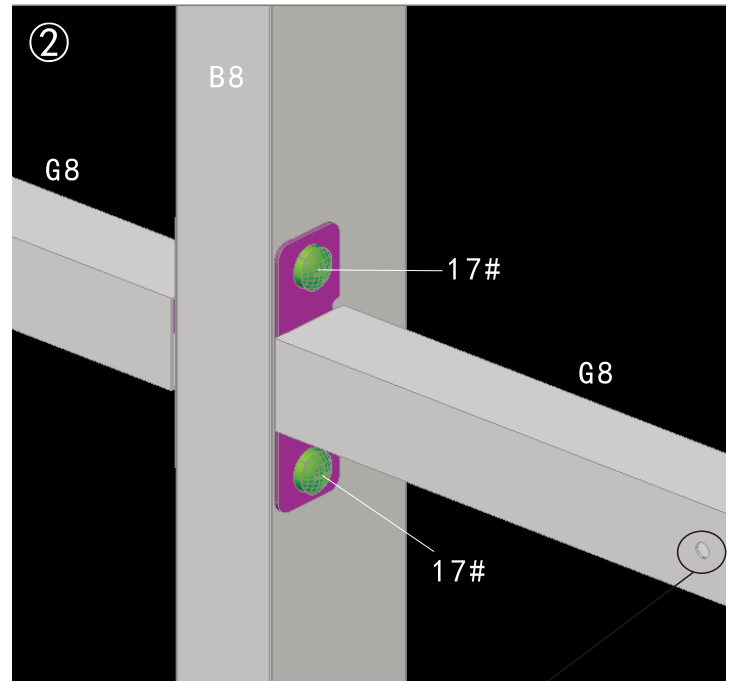
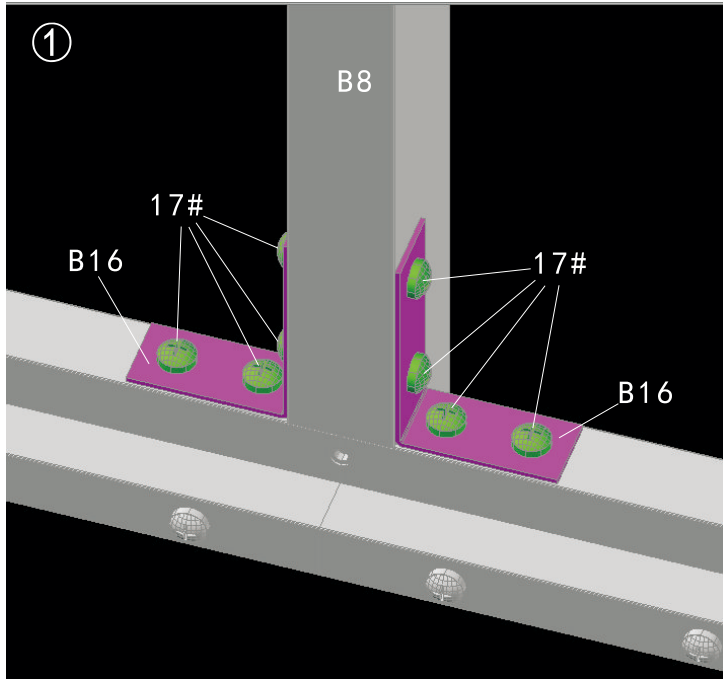
G1



B16-x16



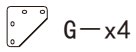
4x12 17# - x88



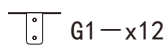
(make sure the holes on the support tubes are facing outward)

①: Use 8 screws #17 and 2 Bracket #B16 to secure #B8 to the base frame.

②: Use 2 screws # 17 to connect the support tube #G8 to #B8. Repeat the above procedures to assemble the other sides.



G-x4



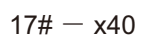
G1-x12



G2-x2



4x12



17# - x40



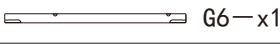
G3-x2



G4-x1



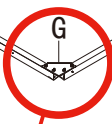
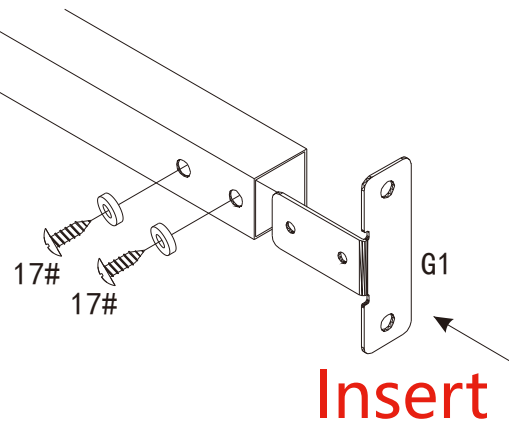
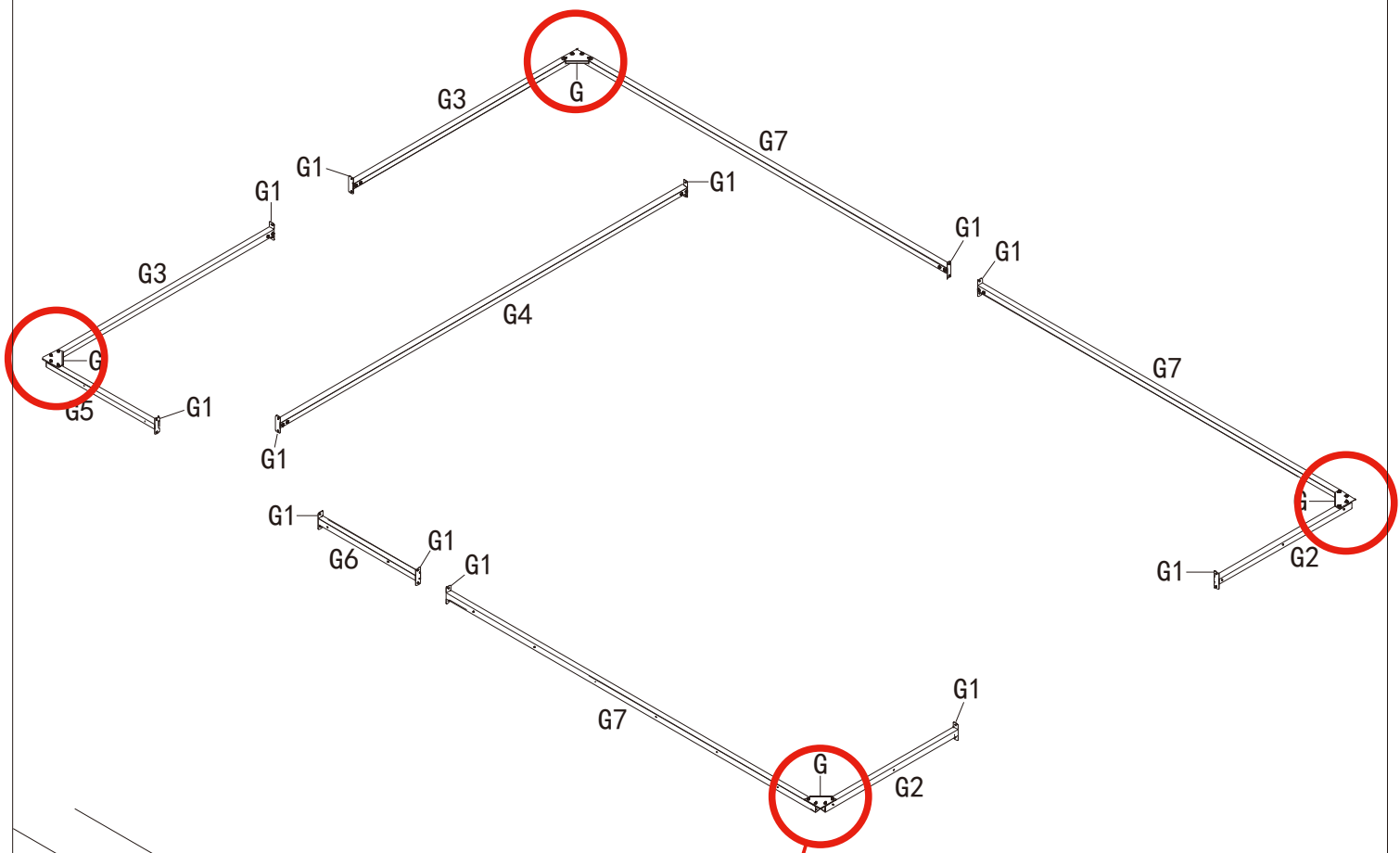
G5-x1



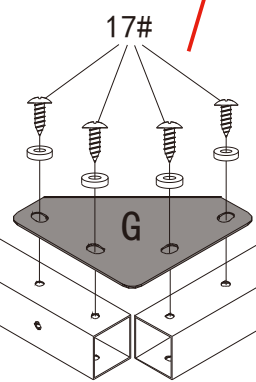
G6-x1



G7-x3



Insert Bracket #G1 and secure with 2 screws #17 and gaskets for each connection as shown. Install Bracket #G at the corners and secure with 4 screws #17 and gaskets for each corner as shown.



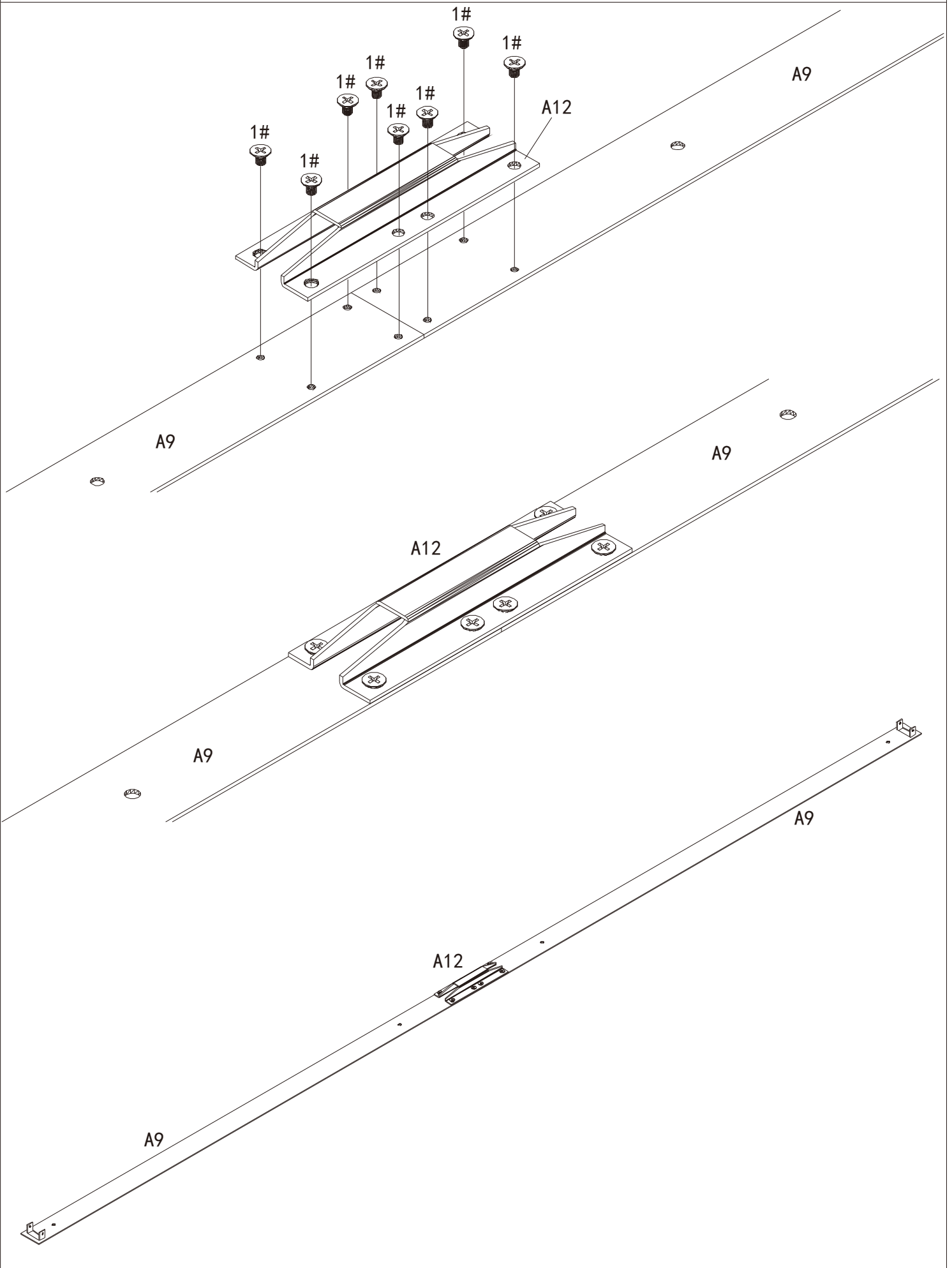


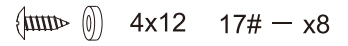
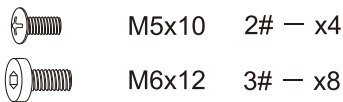
A9-x2



A12-x1

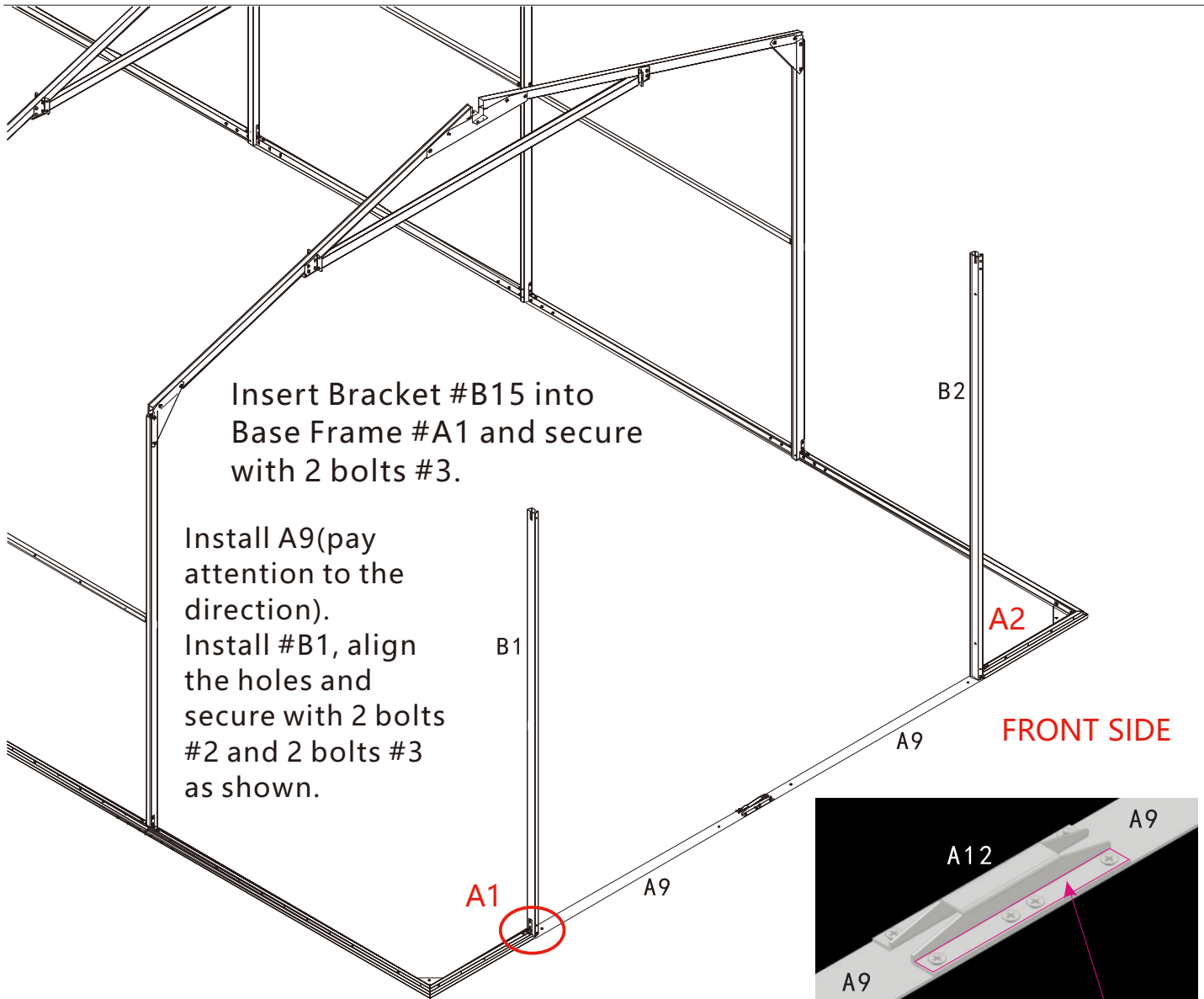
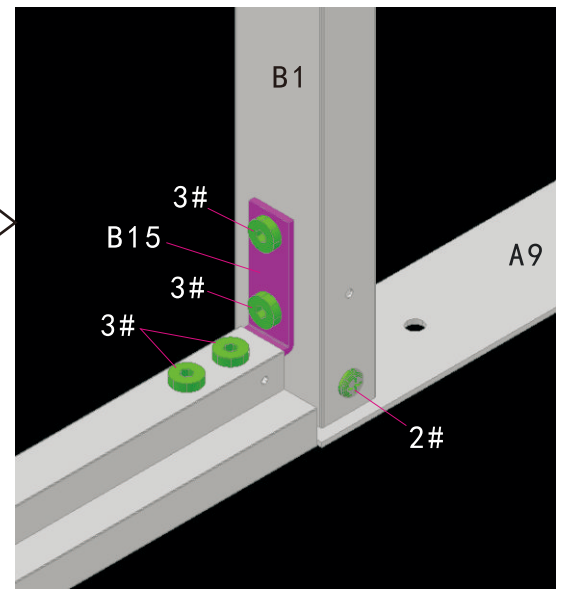
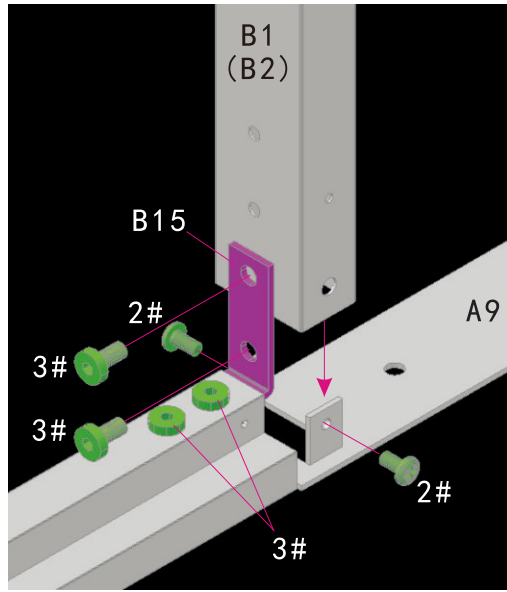
M5x8 1# - x8





B1-x1

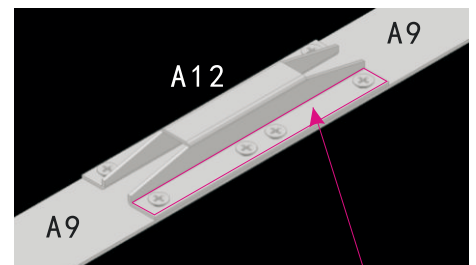
B2-x1



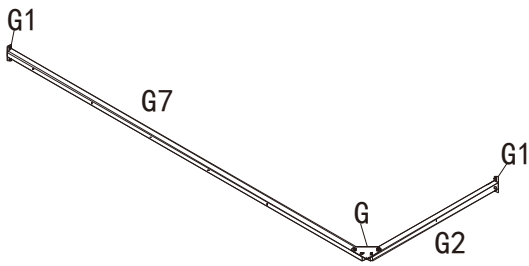
Insert Bracket #B15 into Base Frame #A1 and secure with 2 bolts #3.

Install A9 (pay attention to the direction).  
Install #B1, align the holes and secure with 2 bolts #2 and 2 bolts #3 as shown.

FRONT SIDE

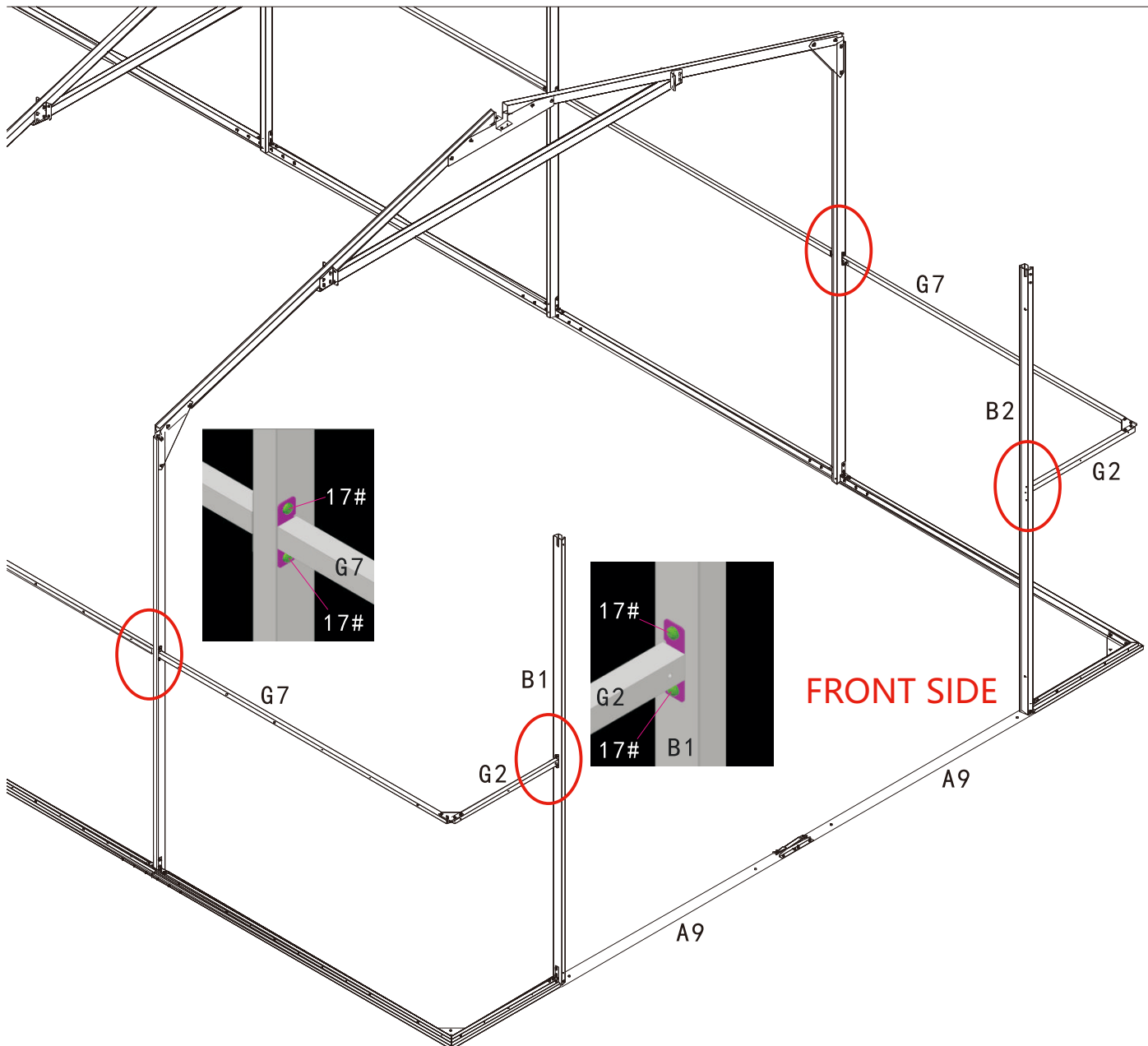


As shown in the box, the wider side of part #A12 is facing outward.



already assembled

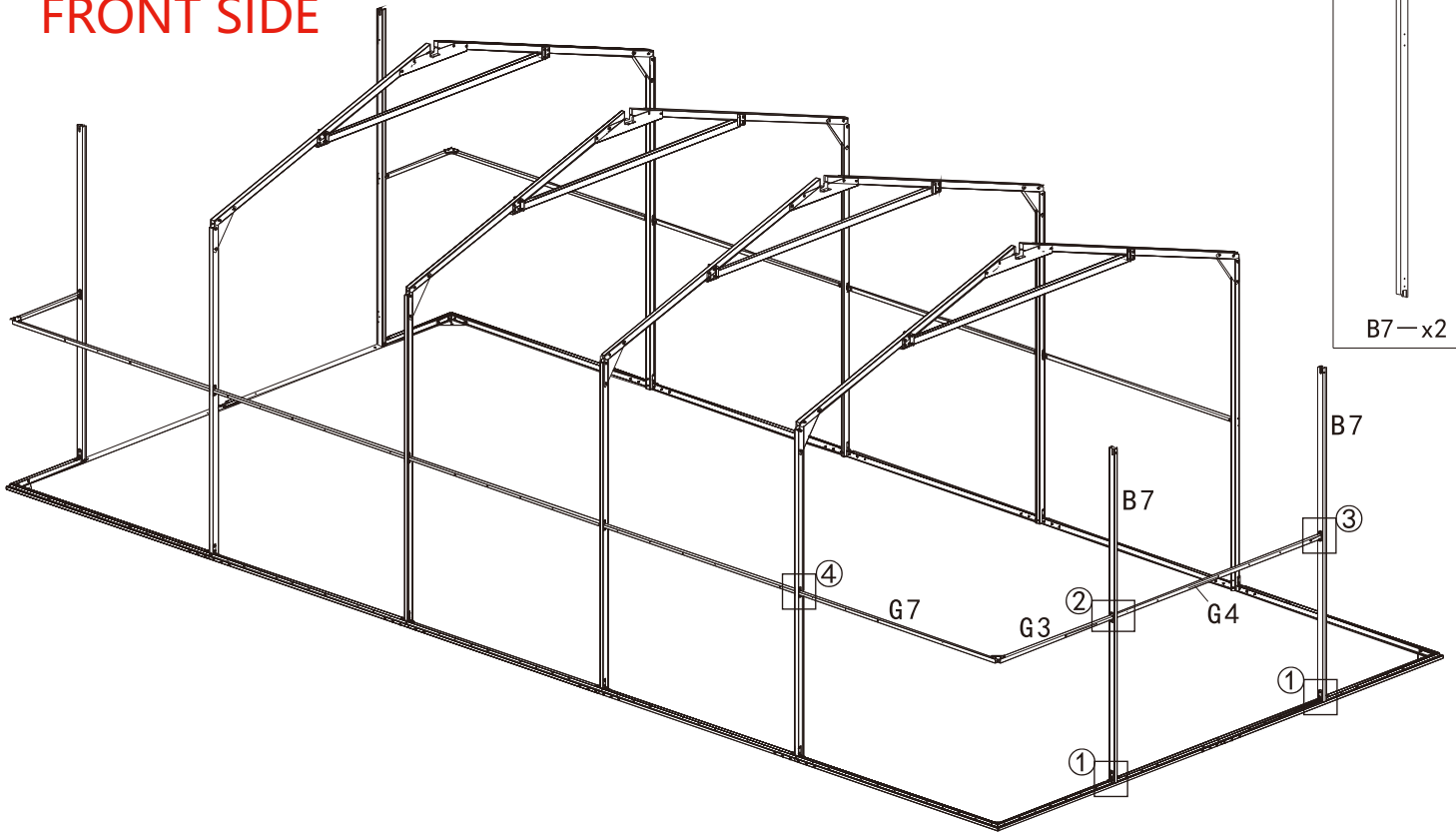
Install part #G2 & G7 (already assembled in page 05), securing with 2 screws #17 for each connection. Repeat the above procedures to assemble another side.



4x12  
17# - x24

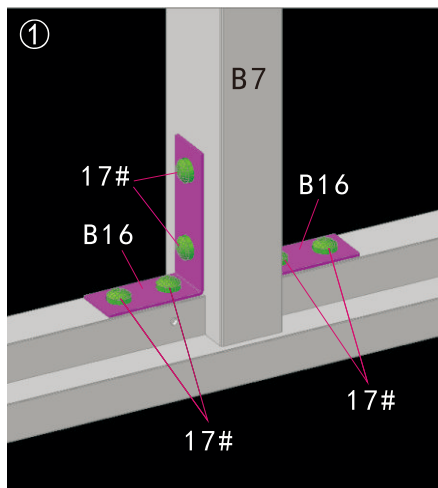
B16-x4

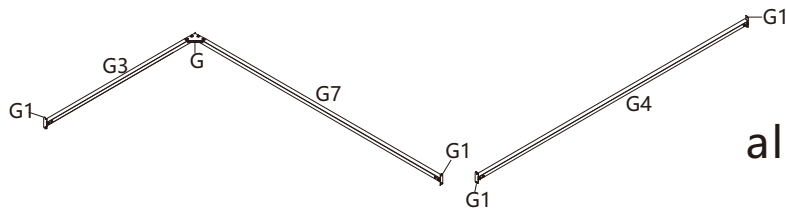
FRONT SIDE



BACK SIDE

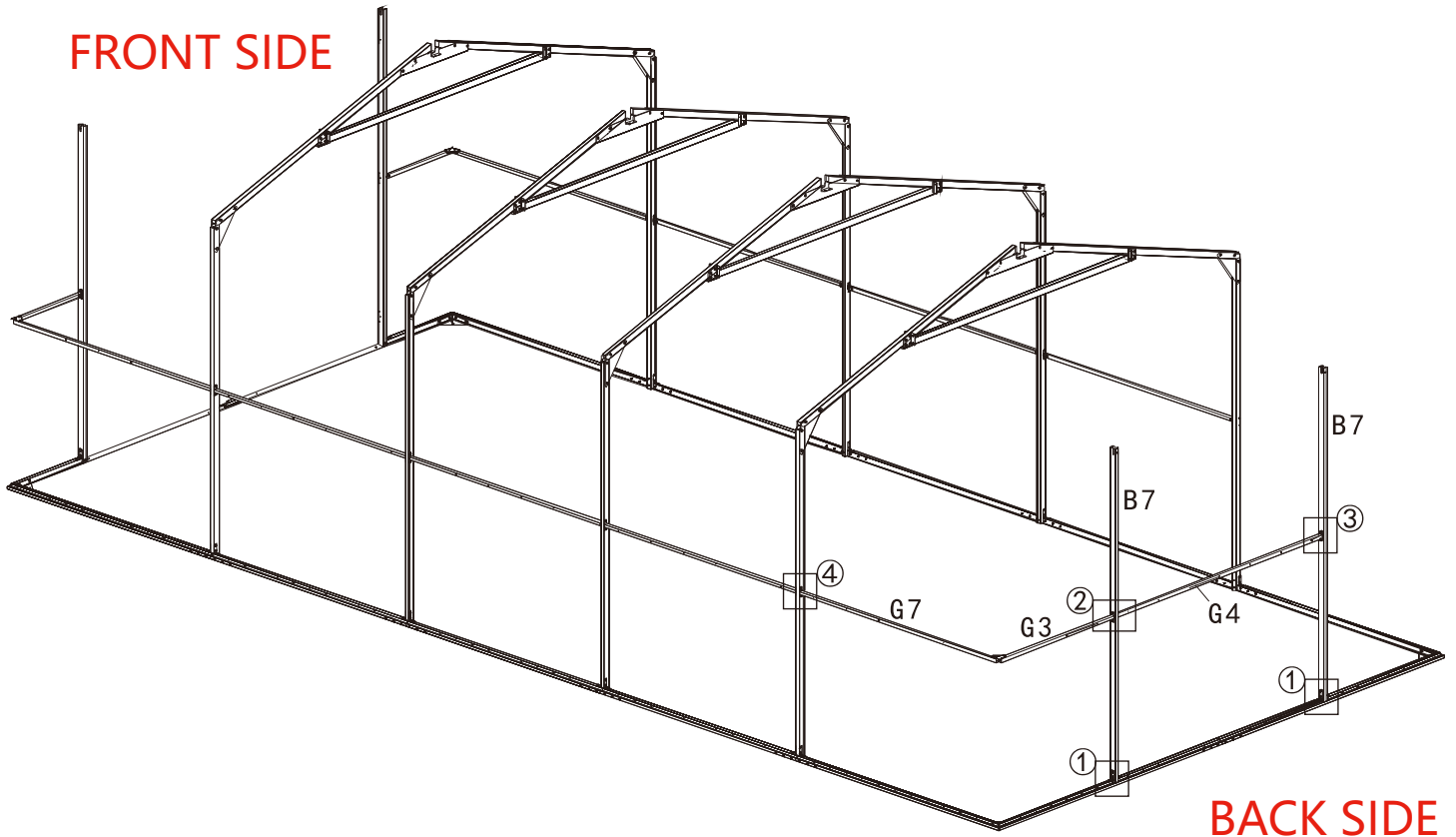
①: Install #B7 and connect it to the bottom frame by using 2 Brackets #B16, securing with 8 screws #17. Repeat the above procedures to assemble another side.





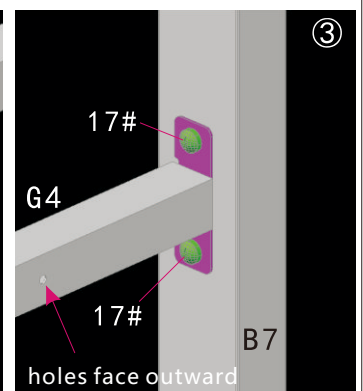
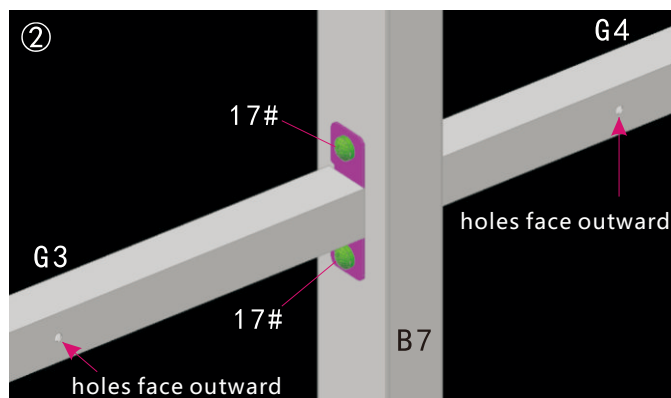
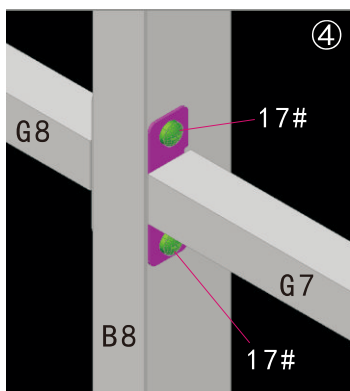
already assembled

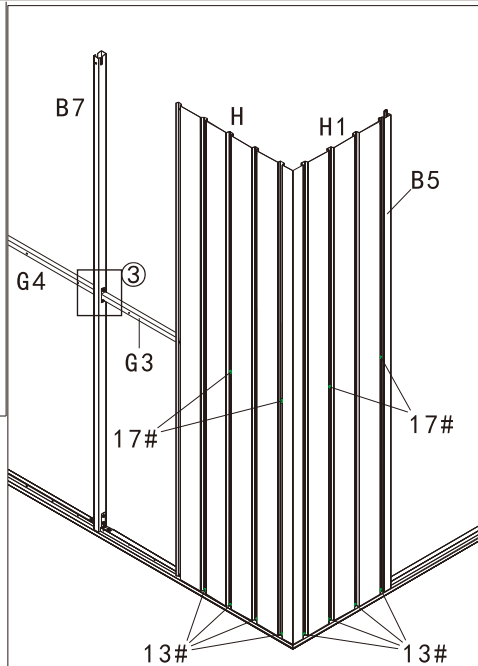
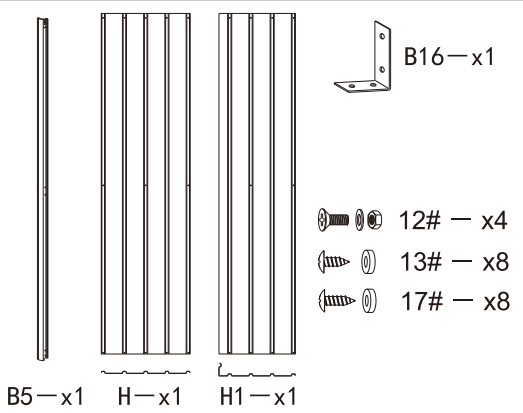
FRONT SIDE



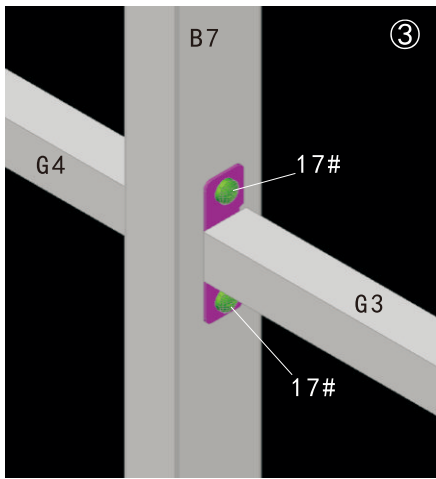
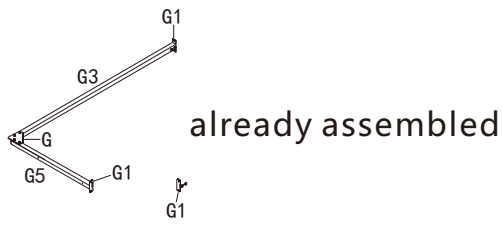
BACK SIDE

②, ③, & ④: Use screws #17 to install part #G3 & G7 & G4 to the frame (make sure the holes on the support tubes are facing outward).

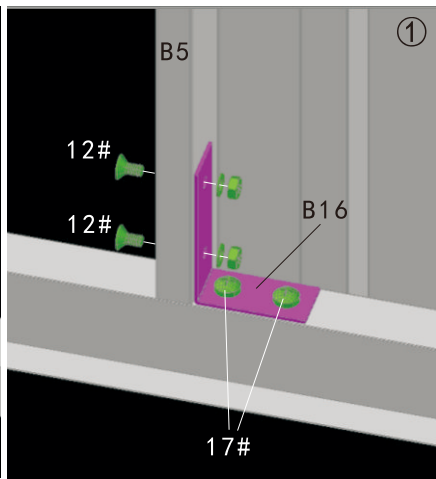




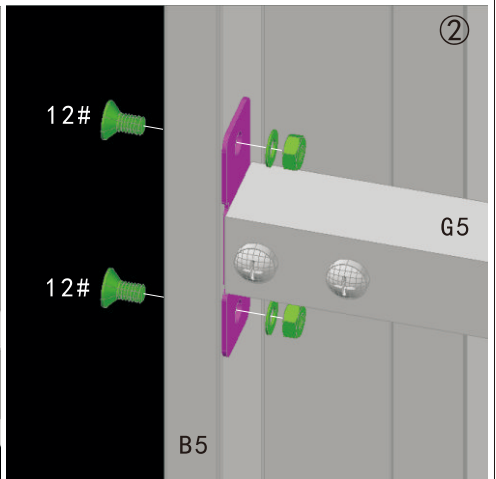
①: Install #B5 and connect it to the bottom frame using B16, securing with 2 bolts and nuts #12 and 2 screws #17.  
 ②: Use 2 Bolts #12 to install #G5 to #B5.  
 ③: Use 2 Screws #17 to install #G3 to #B7. Make sure the holes on the support tubes are facing outward.



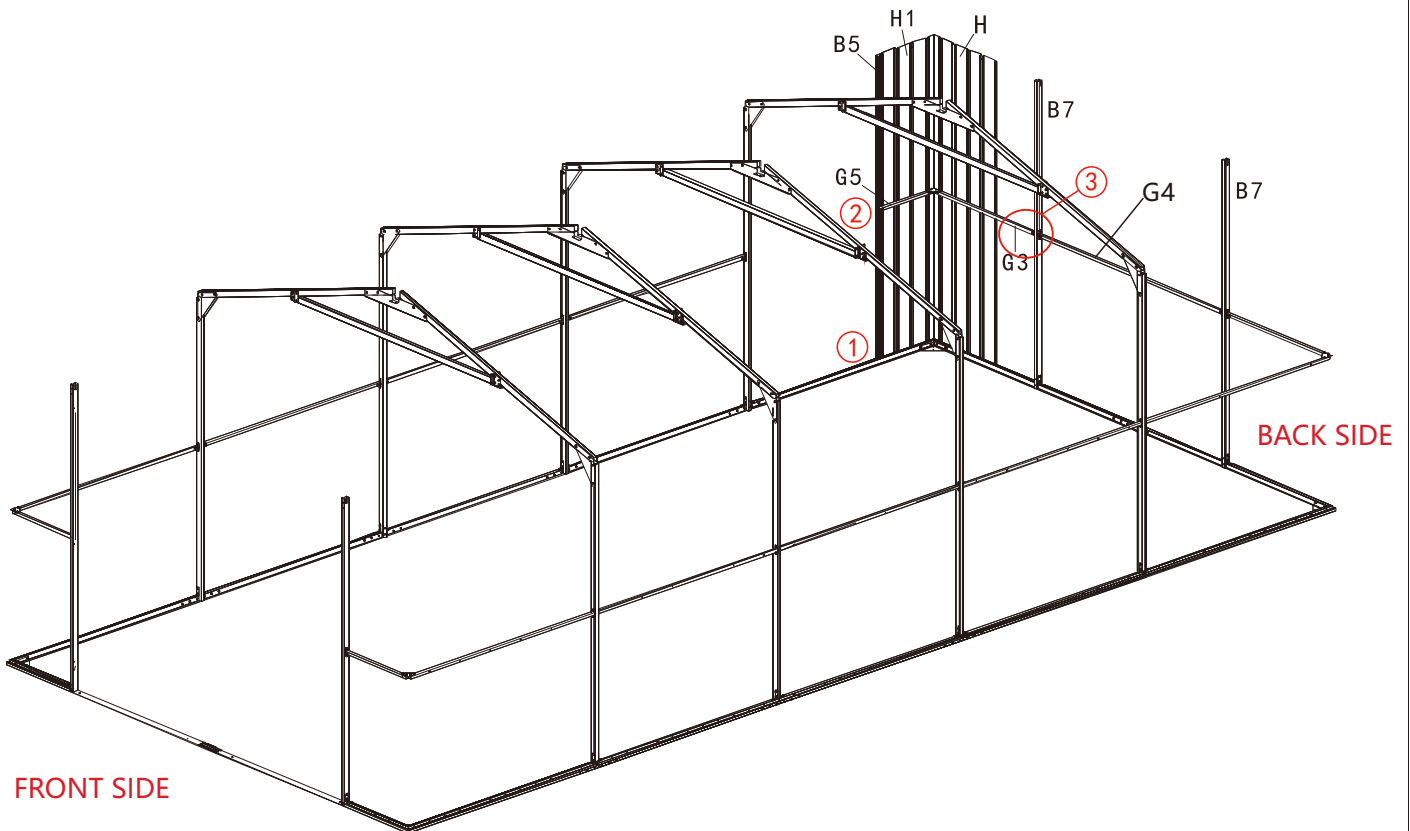
OUTSIDE VIEW

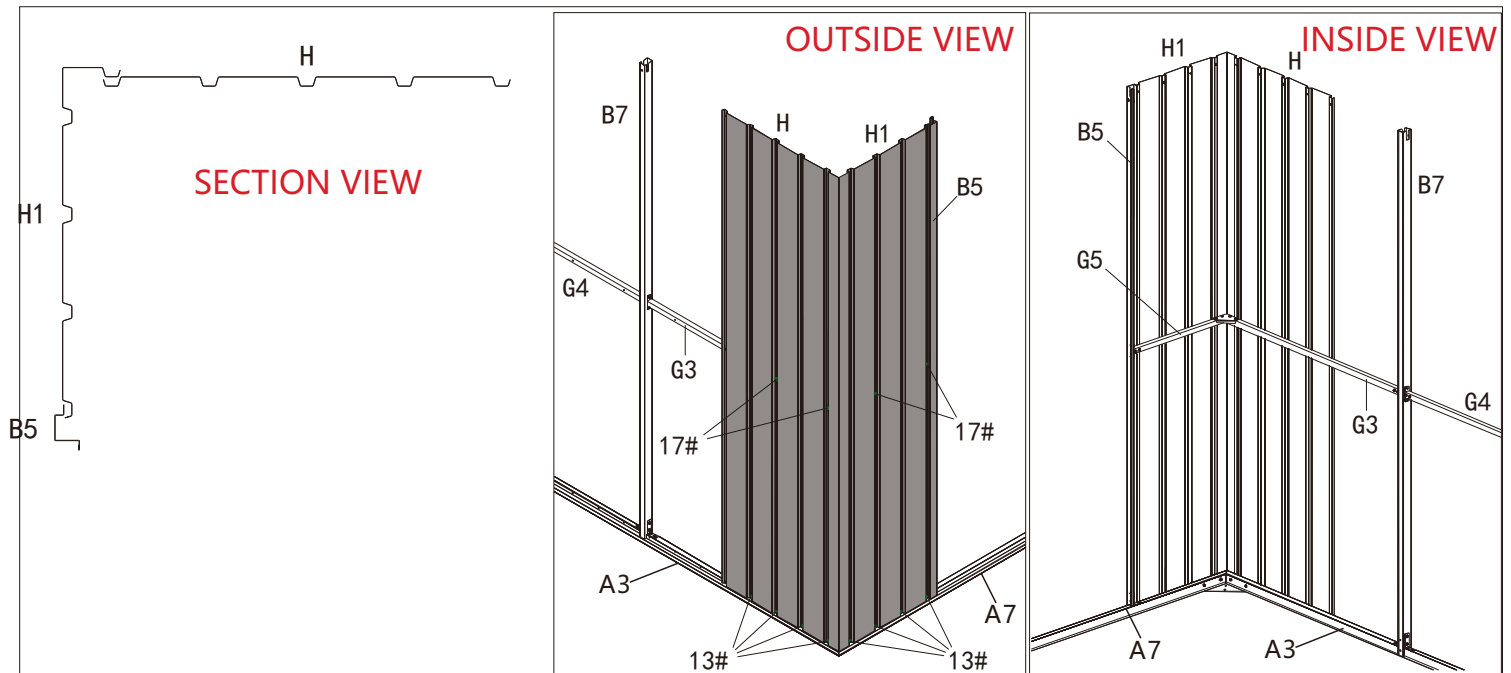


INSIDE VIEW

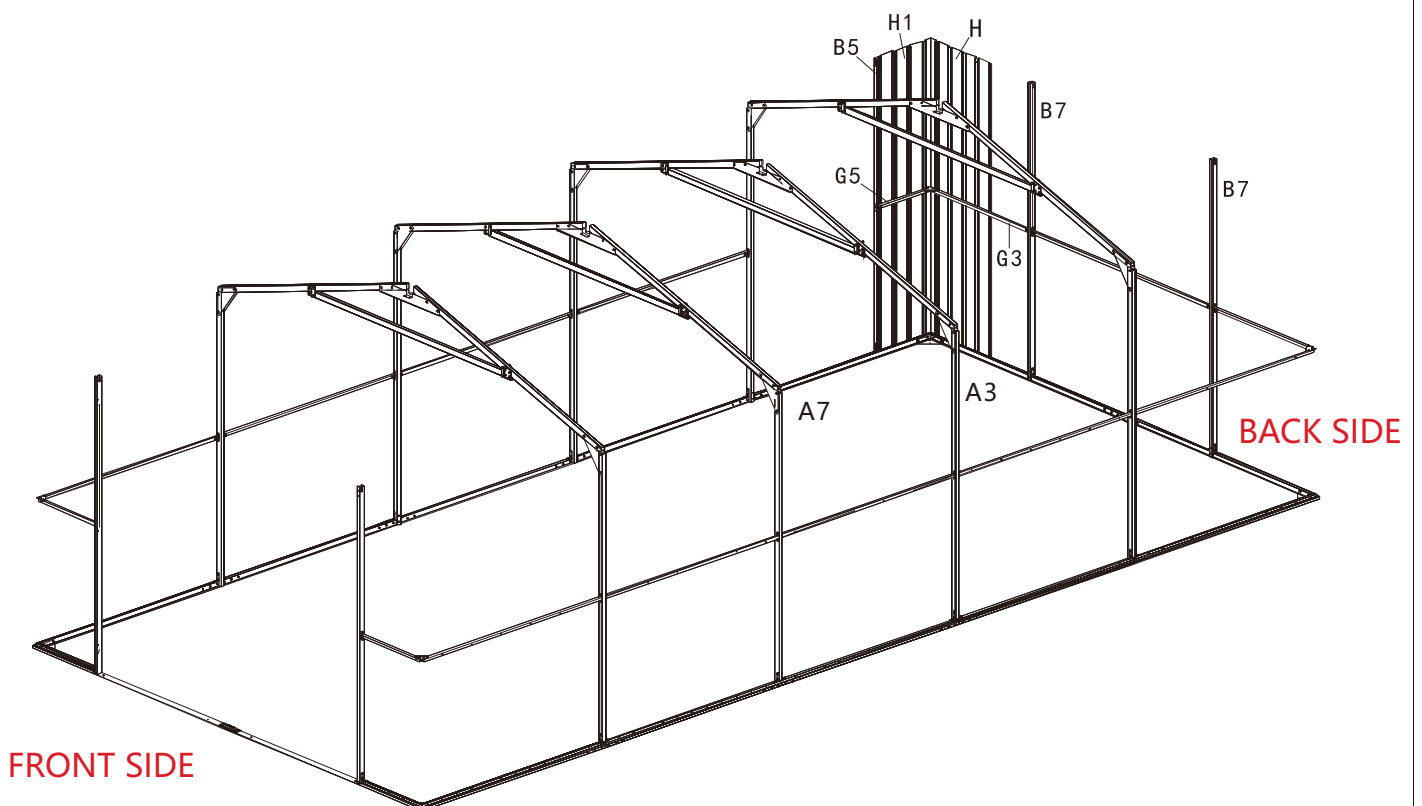


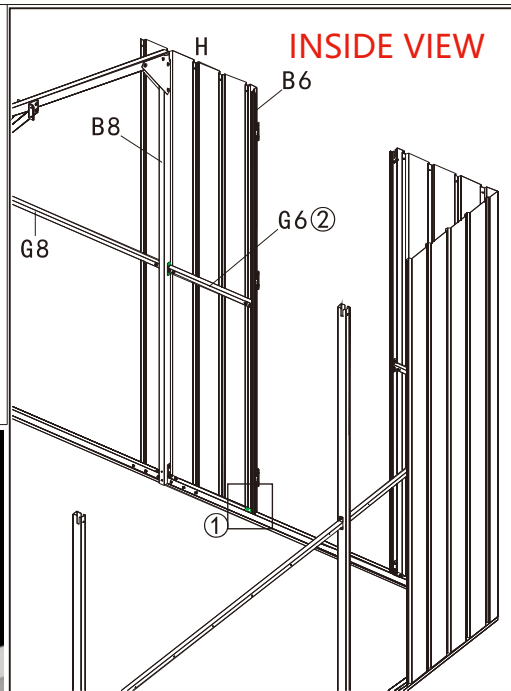
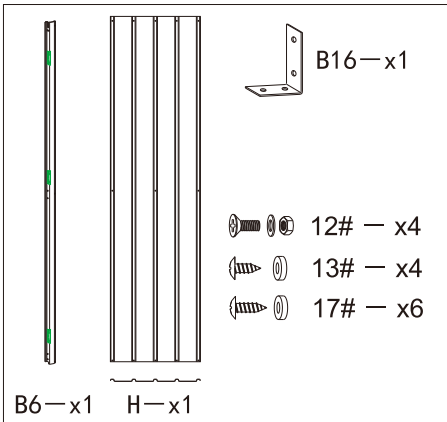
INSIDE VIEW





Use 4 screws #17 to secure Wall panel # H and H1 to the support tube #G3 & G5.  
 Use 8 screws #13 to secure Wall panel # H and H1 to the base frame #A3 & A7.  
 Wall Panel #H1 is wrapped on the outside of #H.  
 #B5 is wrapped on the outside of #H1

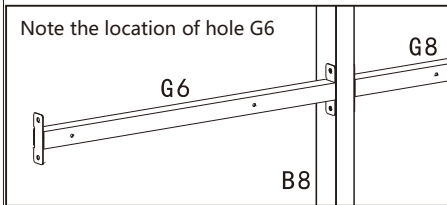
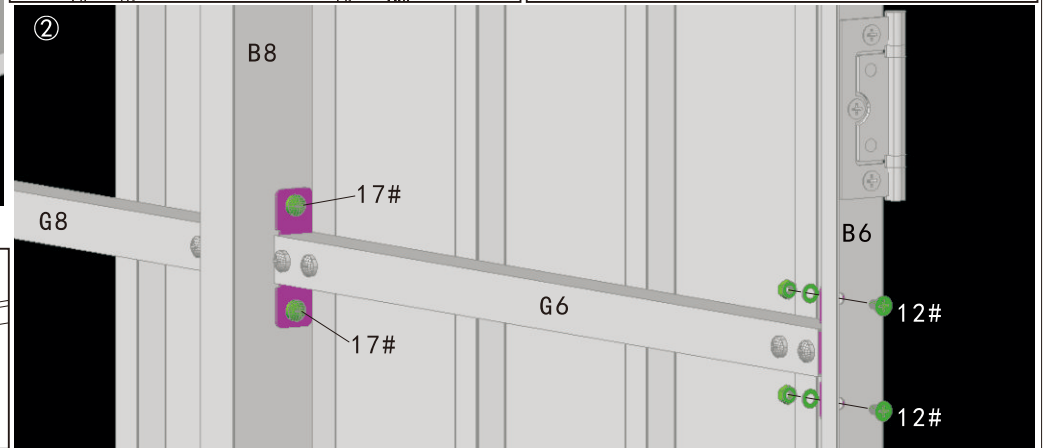
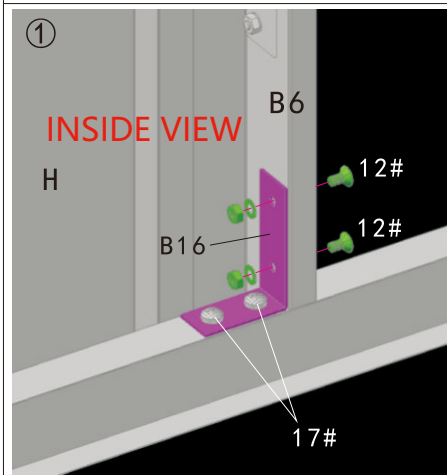




G1 — already assembled  
G6 — G1

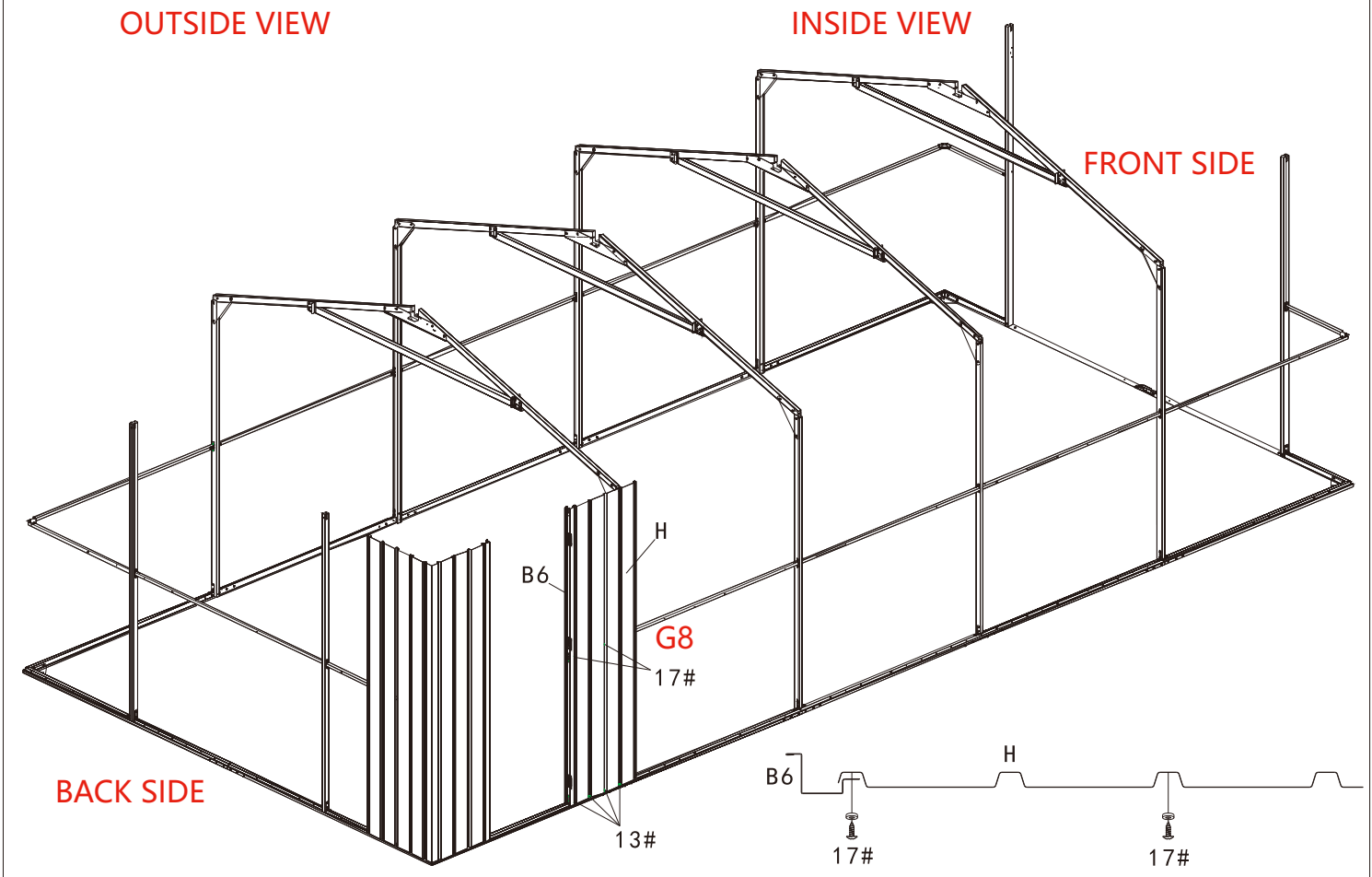
①: Install #B6 and connect it to the bottom frame using B16, securing with 2 bolts and nuts #12 and 2 screws #17.

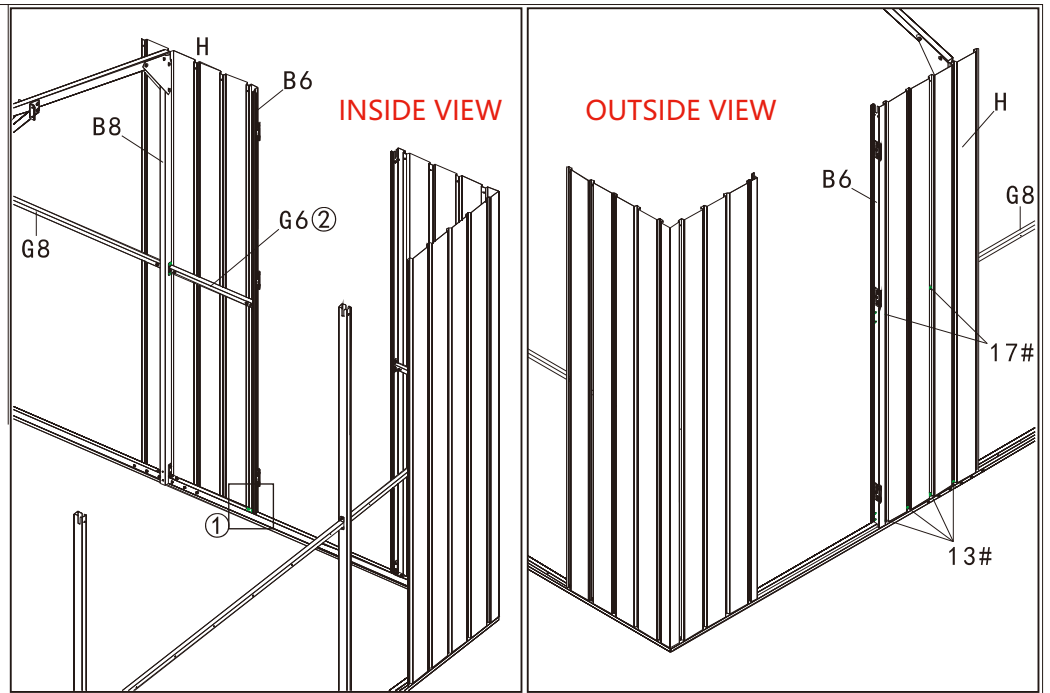
②: Use 2 Bolts and nuts #12 to install one side of #G6 to #B6; Use 2 Screws #17 to install another side of #G6 to #B8. Make sure the holes on the support tubes are facing outward.



**OUTSIDE VIEW**

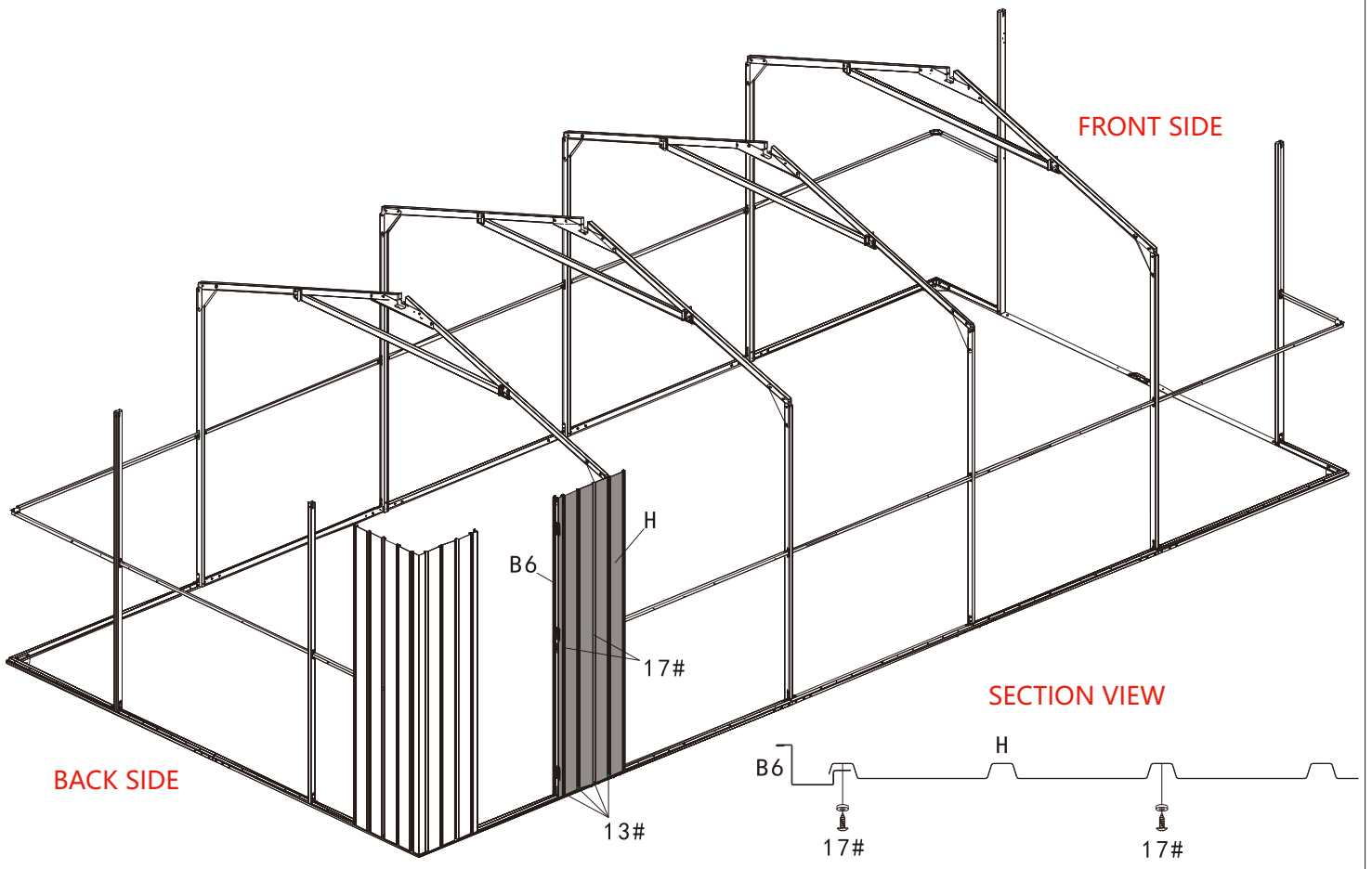
**INSIDE VIEW**

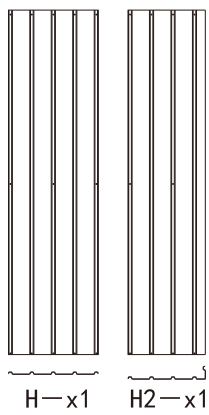




Use 2 screws #17 to secure Wall panel # H to the support tube #G6.

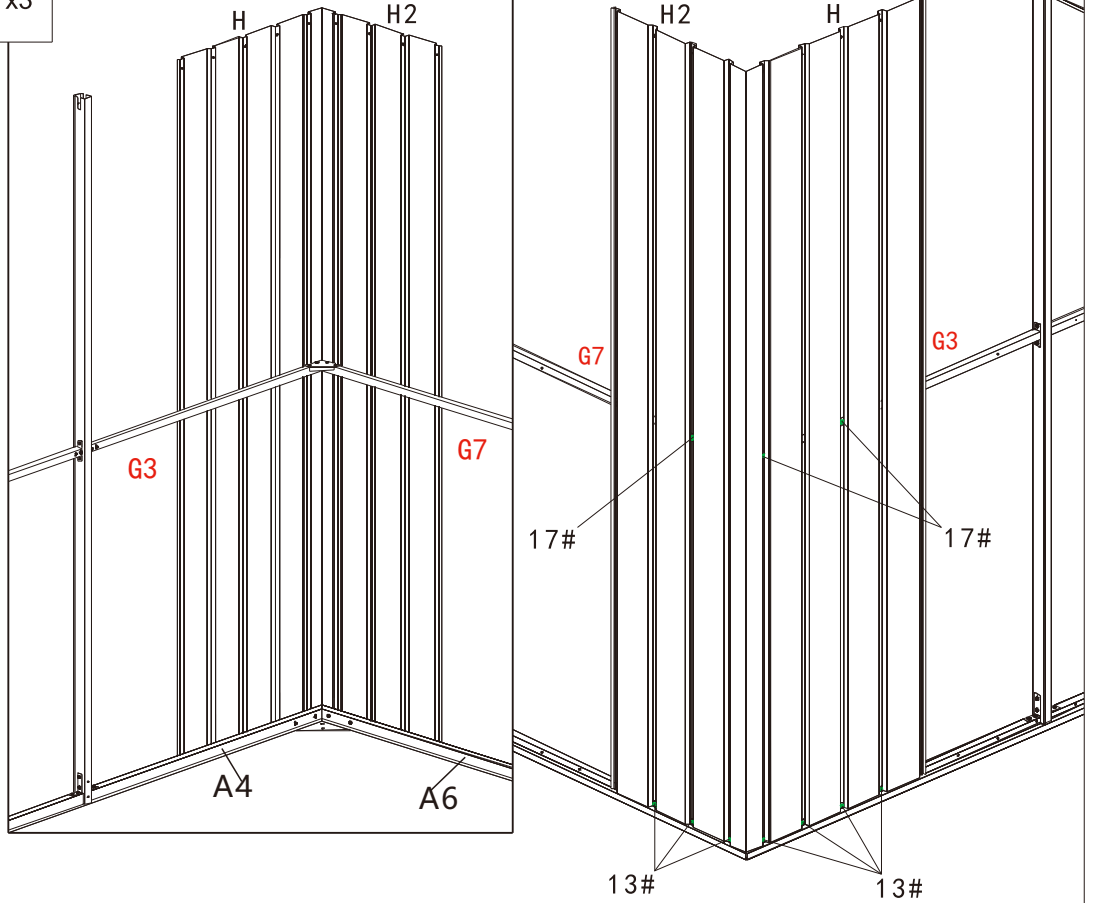
Use 4 screws #13 to secure Wall panel # H to the base frame. #B6 is wrapped on the outside of #H.





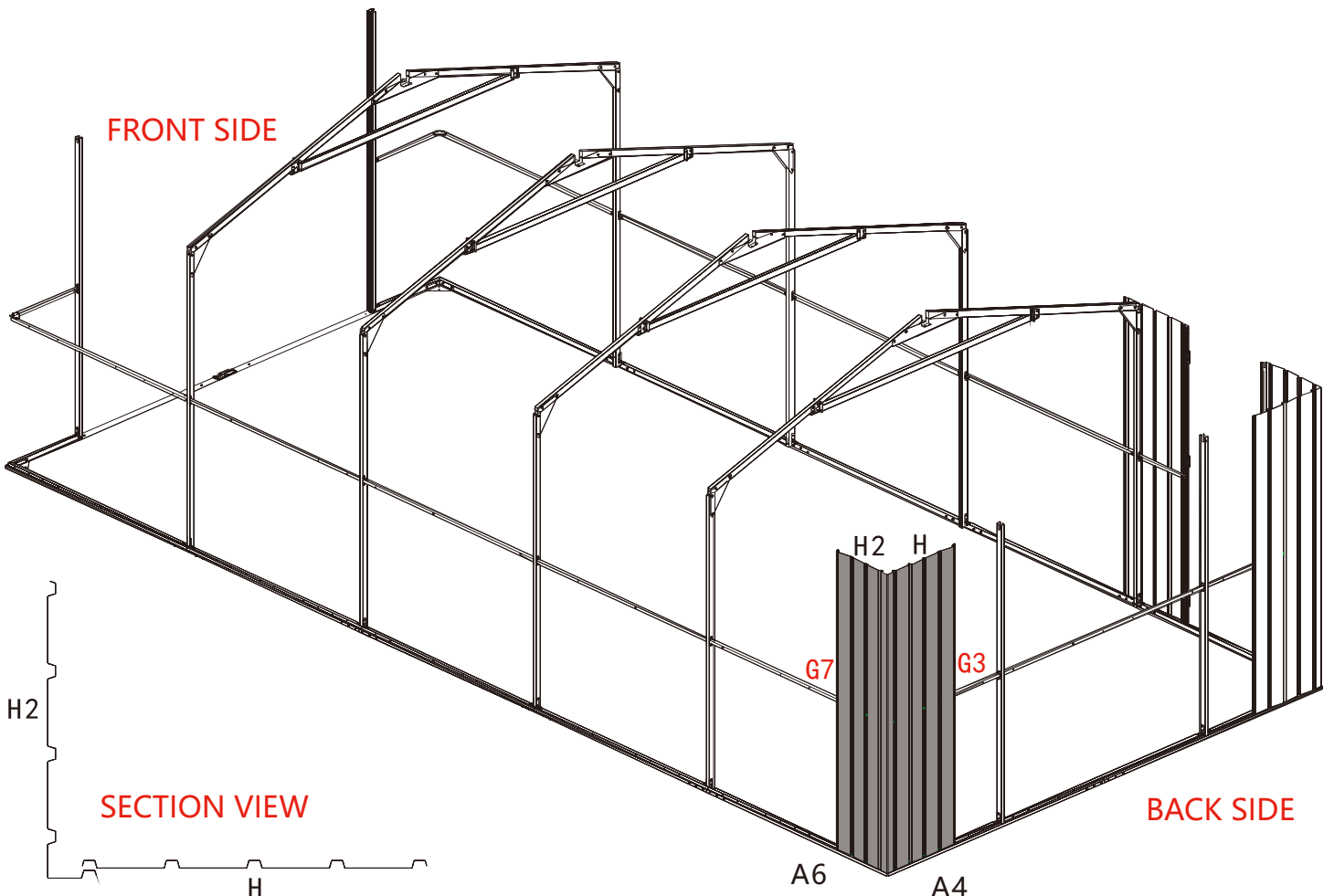
13# - x7  
17# - x3

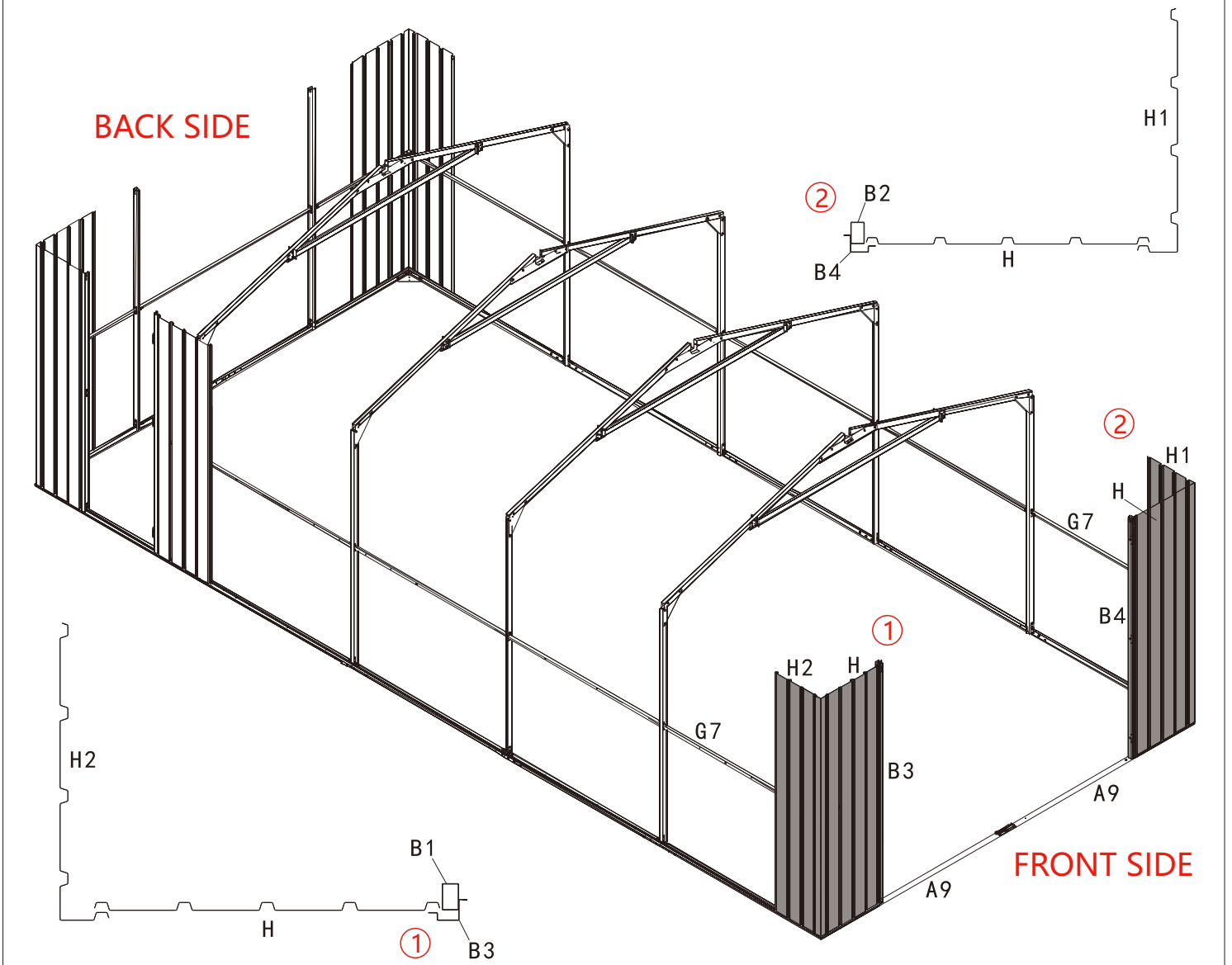
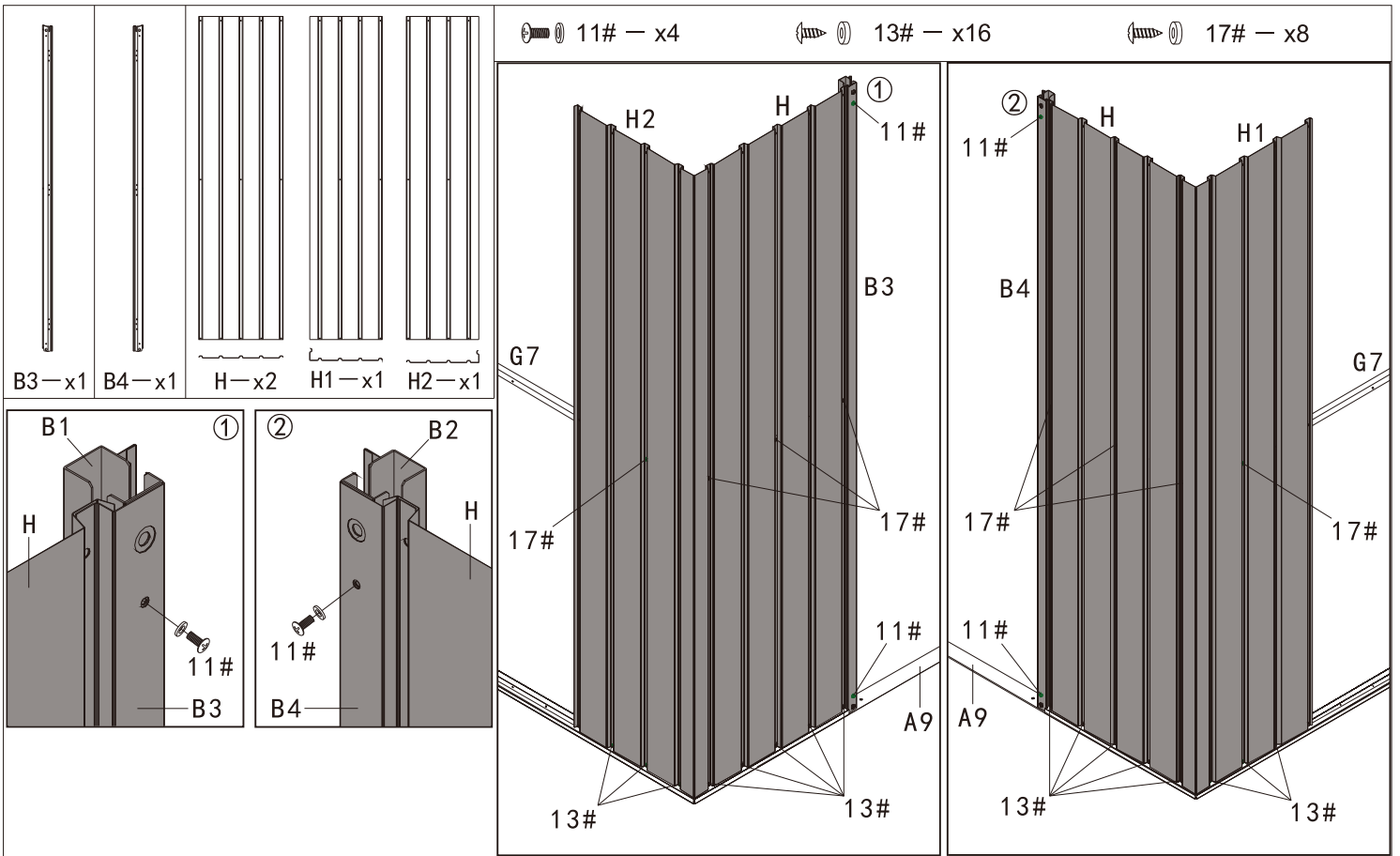
INSIDE VIEW      OUTSIDE VIEW



Use 3 screws #17 to secure Wall panel # H and H2 to the support tube #G3 & G7.  
Use 7 screws #13 to secure Wall panel # H and H2 to the base frame #A4 & A6.  
Wall Panel #H2 is wrapped on the outside of #H.

FRONT SIDE





①: Install #H and #B3 to #B1, align the holes and secure with 2 screws #11 (One screw #11 at the top and one at the bottom).

#B3 is wrapped on the outside of Wall Panel #H.

Use 4 screws #17 to secure Wall panel # H and H2 to the support tube #G2 & G7.

Use 8 screws #13 to secure Wall panel # H and H2 to the base frame #A1 & A6.

Wall Panel #H2 is wrapped on the outside of #H.

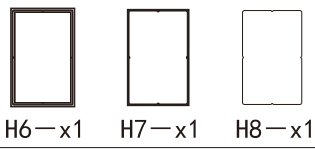
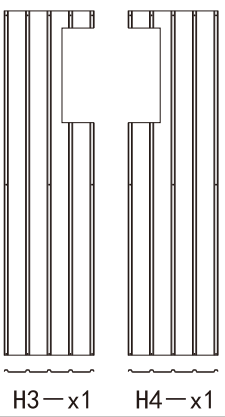
②: Install #H and #B4 to #B2, align the holes and secure with 2 screws #11 (One screw #11 at the top and one at the bottom).

#B4 is wrapped on the outside of Wall Panel #H.

Use 4 screws #17 to secure Wall panel # H and H1 to the support tube #G2 & G7.

Use 8 screws #13 to secure Wall panel # H and H2 to the base frame #A2 & A5.

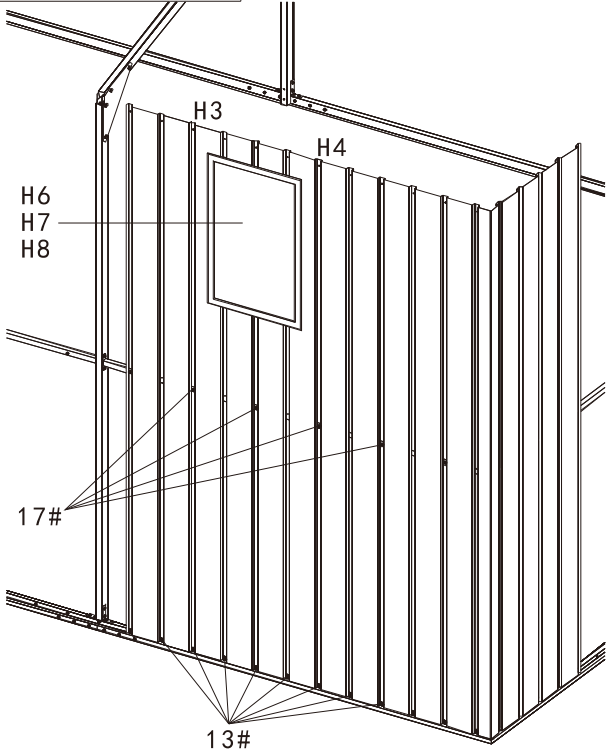
Wall Panel #H1 is wrapped on the outside of #H.



6# - x8

13# - x8

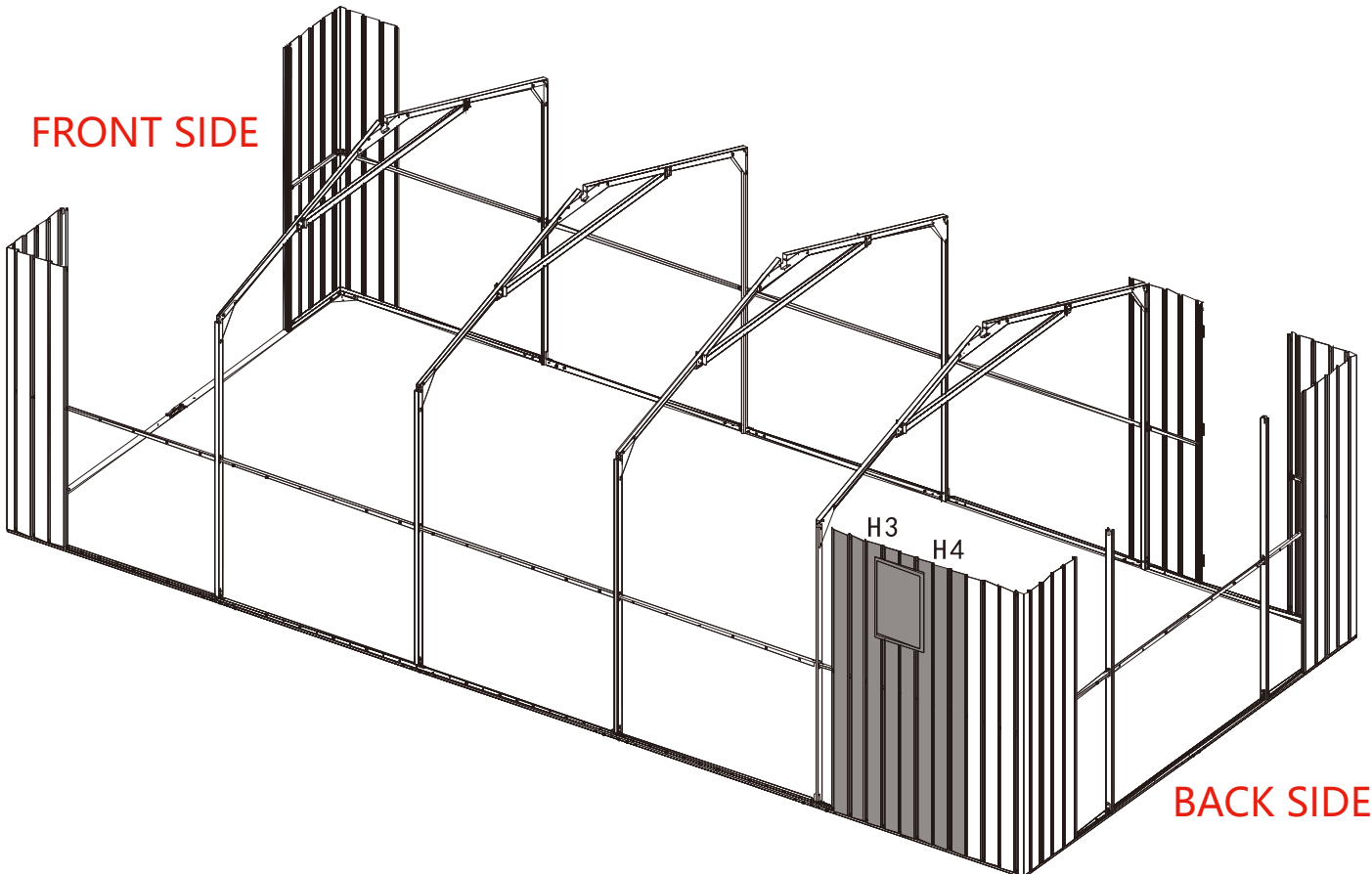
17# - x4



Use 4 screws #17 to secure Wall panel # H3 and H4 to the support tube #G7.

Use 8 screws #13 to secure Wall panel # H3 and H4 to the base frame #A6.

FRONT SIDE

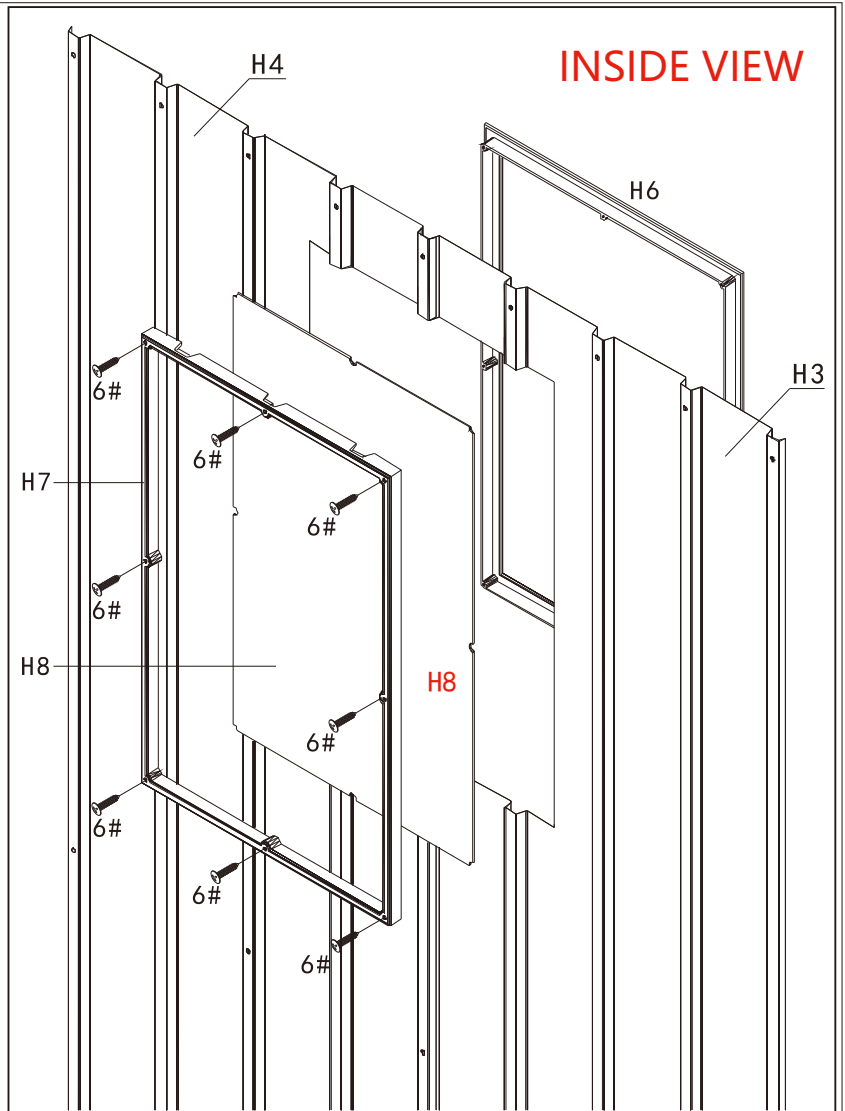


BACK SIDE

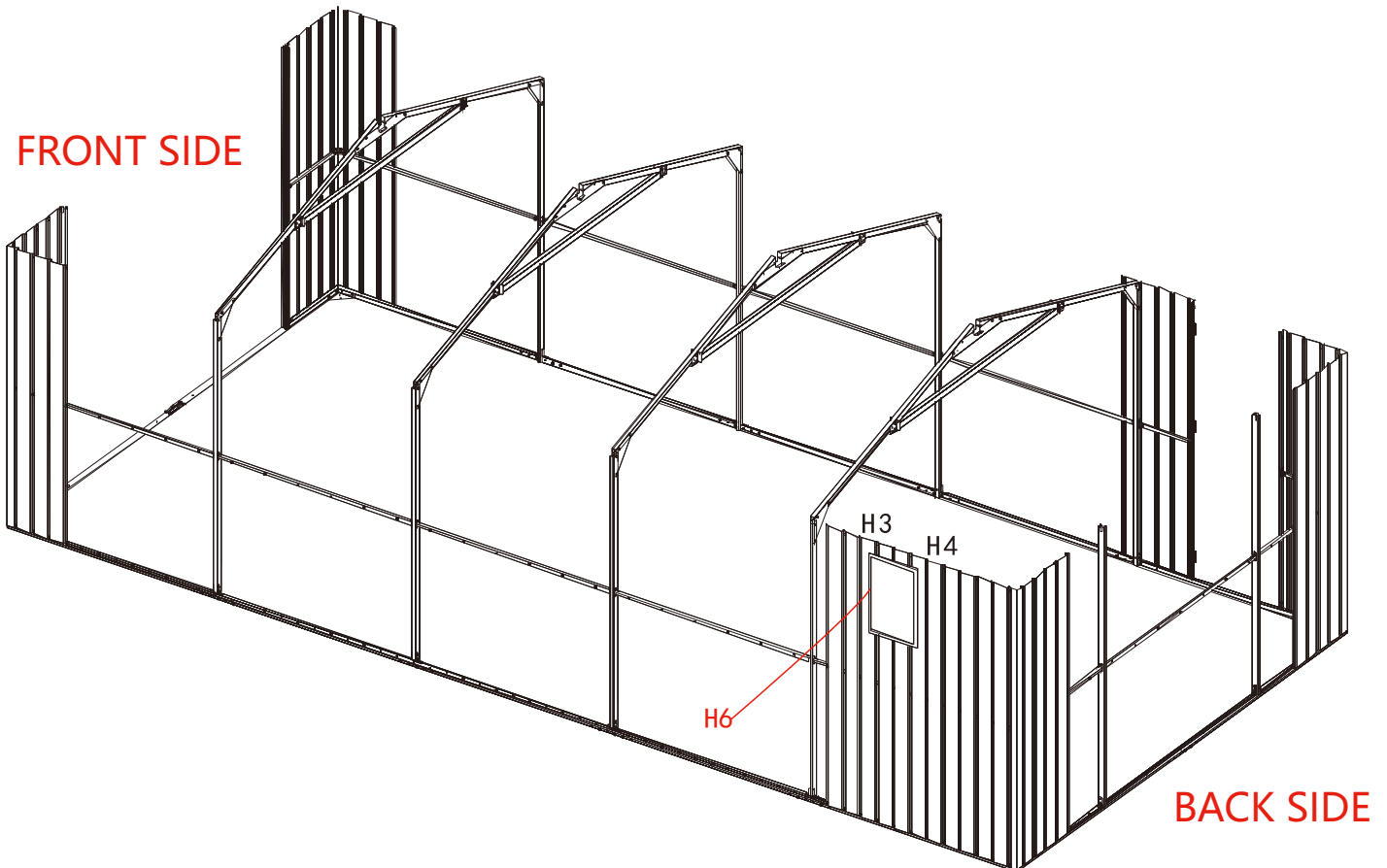
## Side Window

### Assembly:

Insert part #H6 to the wall panel #H3/H4 (from outside to inside), place transparent board #H8, align the holes and use 8 screws #6 to fix part #H7 & part #H6 (from inside to outside).

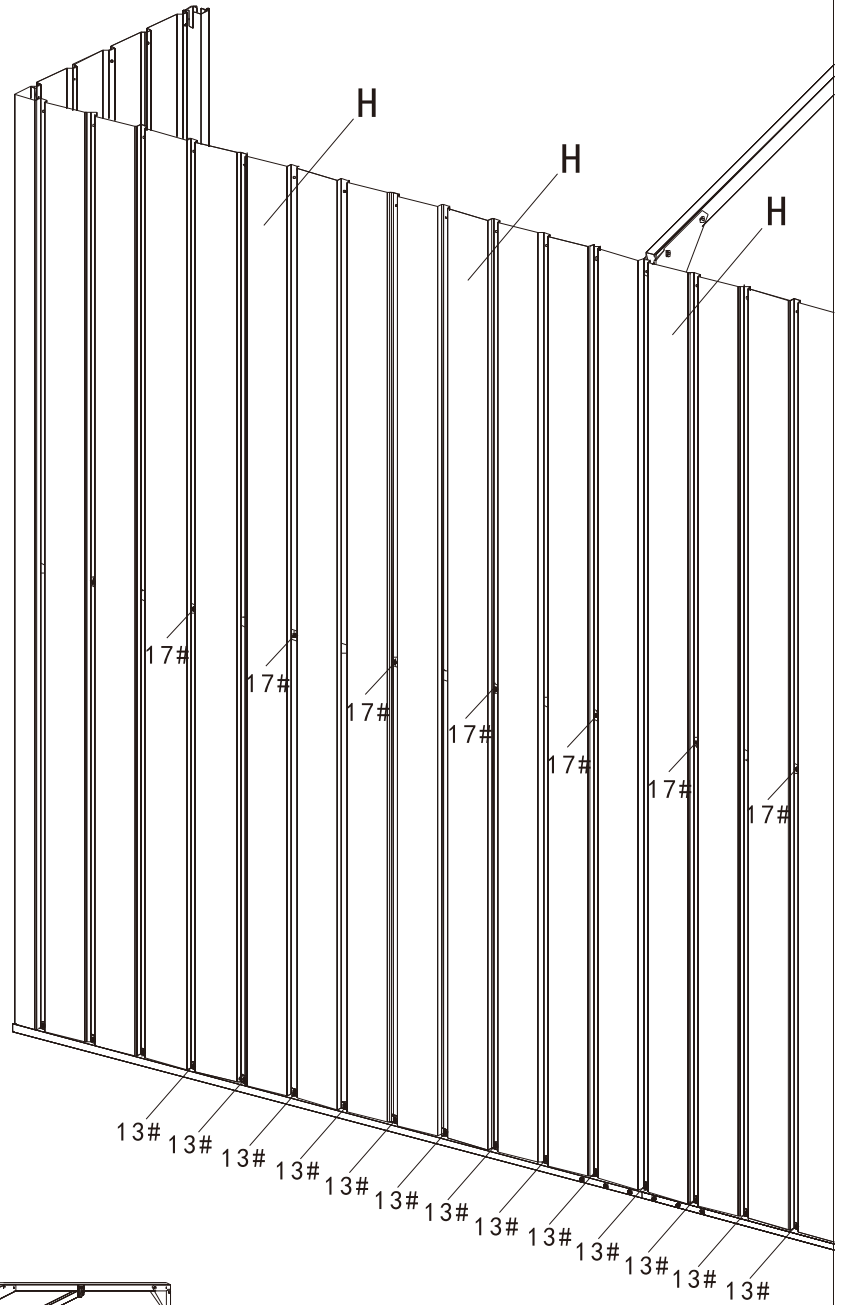
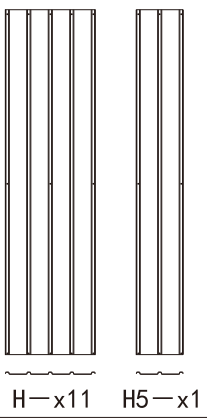


### FRONT SIDE



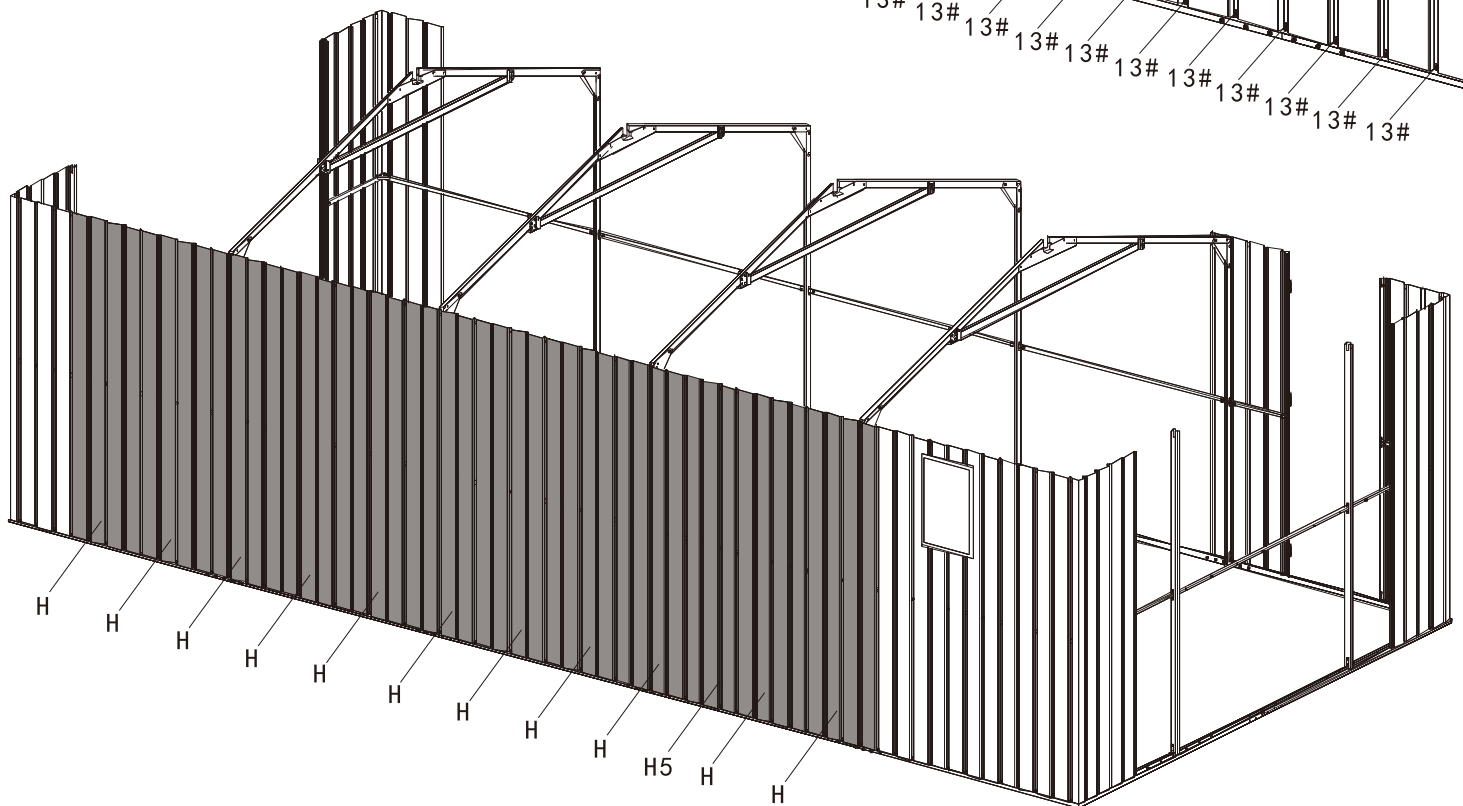
13# - x47

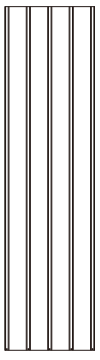
17# - x24



Use 24 screws #17 to secure 11 Wall panels #H and 1 Wallpanel #H5 to the support tube.

Use 47 screws #13 to secure 11 Wall panels #H and 1 Wallpanel #H5 to the base frame.





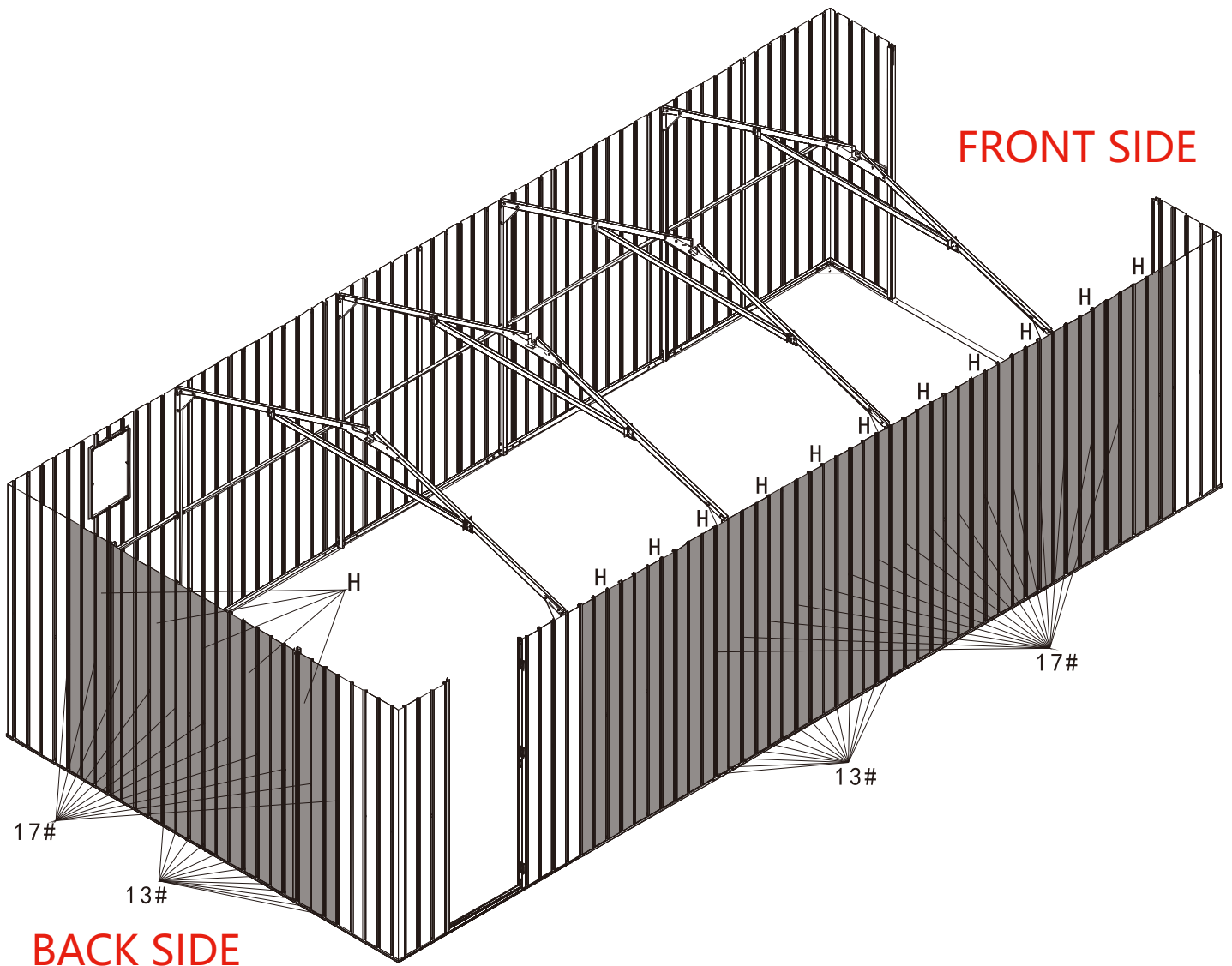
H—x16






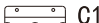



Assemble the BACK wall panel:

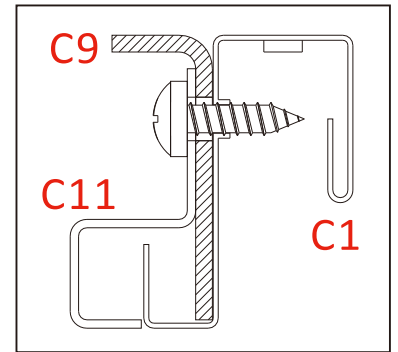
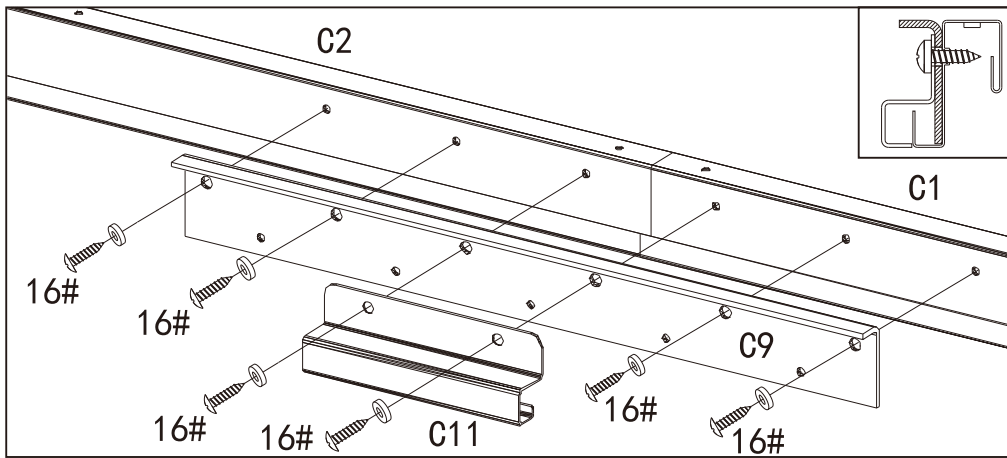
Use 11 screws #17 to secure 5 Wall panels #H to the support tube.  
Use 21 screws #13 to secure 5 Wall panels #H to the base frame.

Assemble the SIDE wall panel:

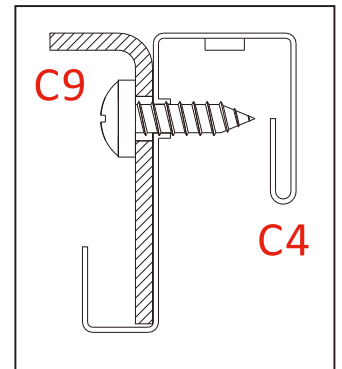
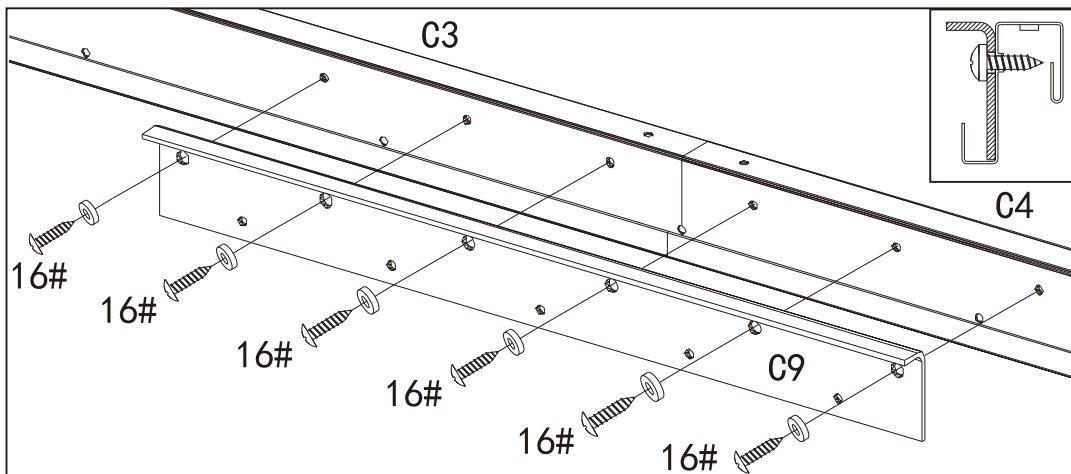
Use 23 screws #17 to secure 8 Wall panels #H to the support tube.  
Use 45 screws #13 to secure 8 Wall panels #H to the base frame.



C1-x1  C2-x1   
 C3-x1  C4-x1   
 C9-x2  C11-x1  4# - x2  13# - x39  16# - x12



**SECTION VIEW**



**SECTION VIEW**

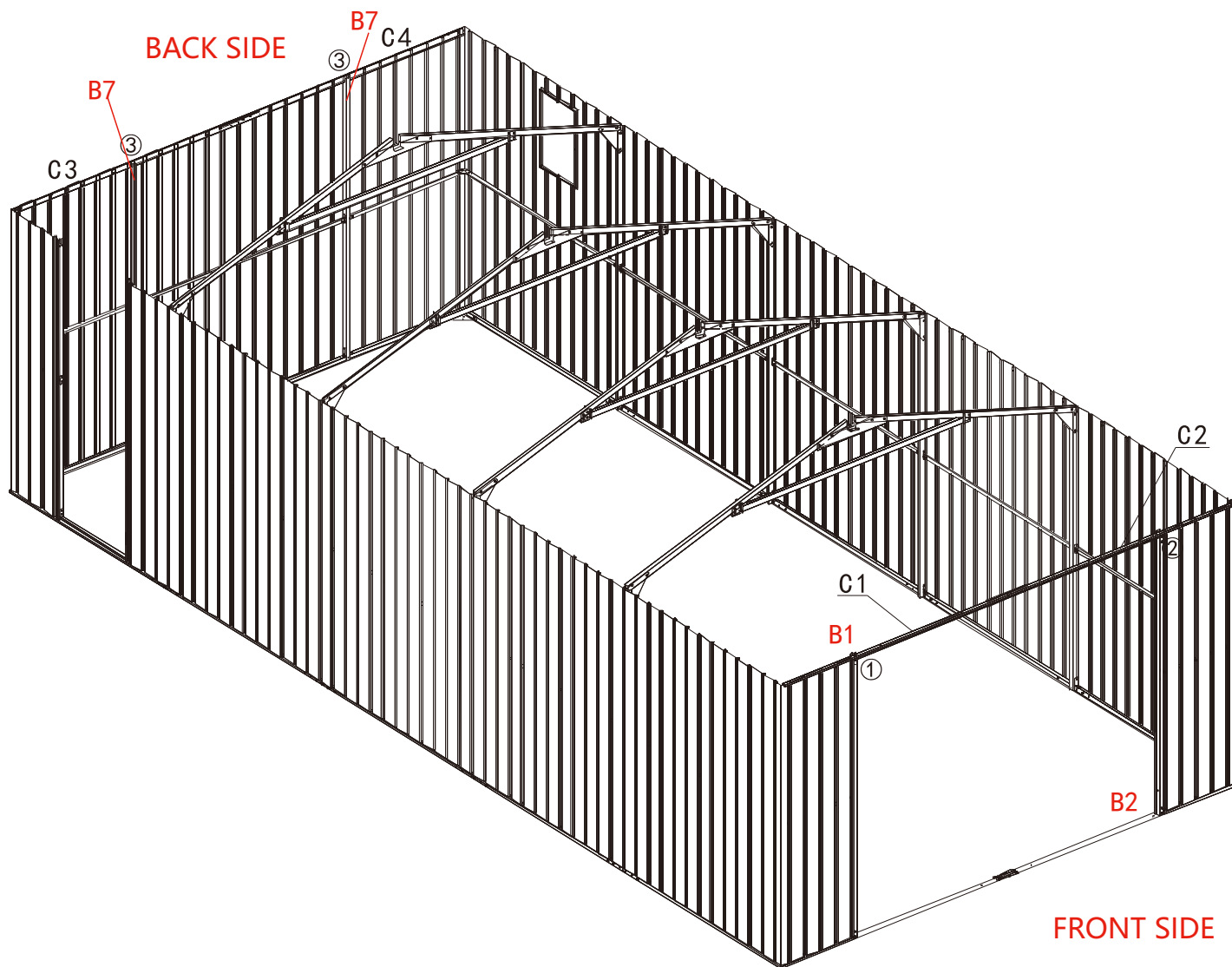
## Top Frame Assembly

Connect part #C1 & #C2, insert part #C9 & #C11 on the inside of part #C1/C2, align the holes and fix with 6 screws 16# and gaskets.

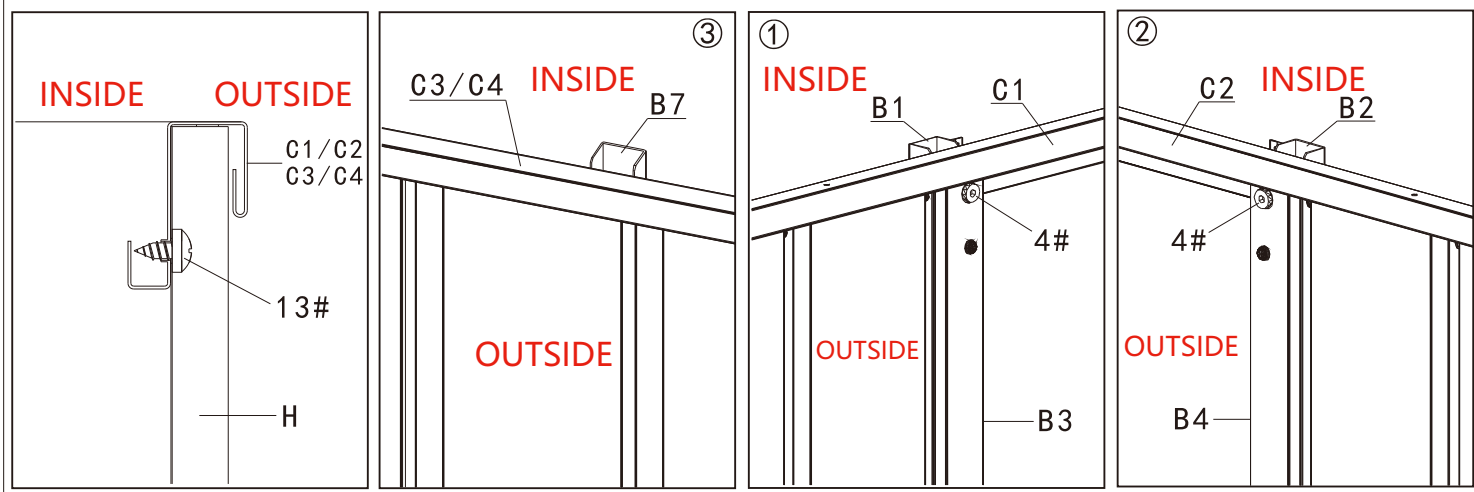
Connect part #C3 & #C4, insert part #C9 on the inside of part #C3/C4, align the holes and fix with 6 screws 16# and gaskets.

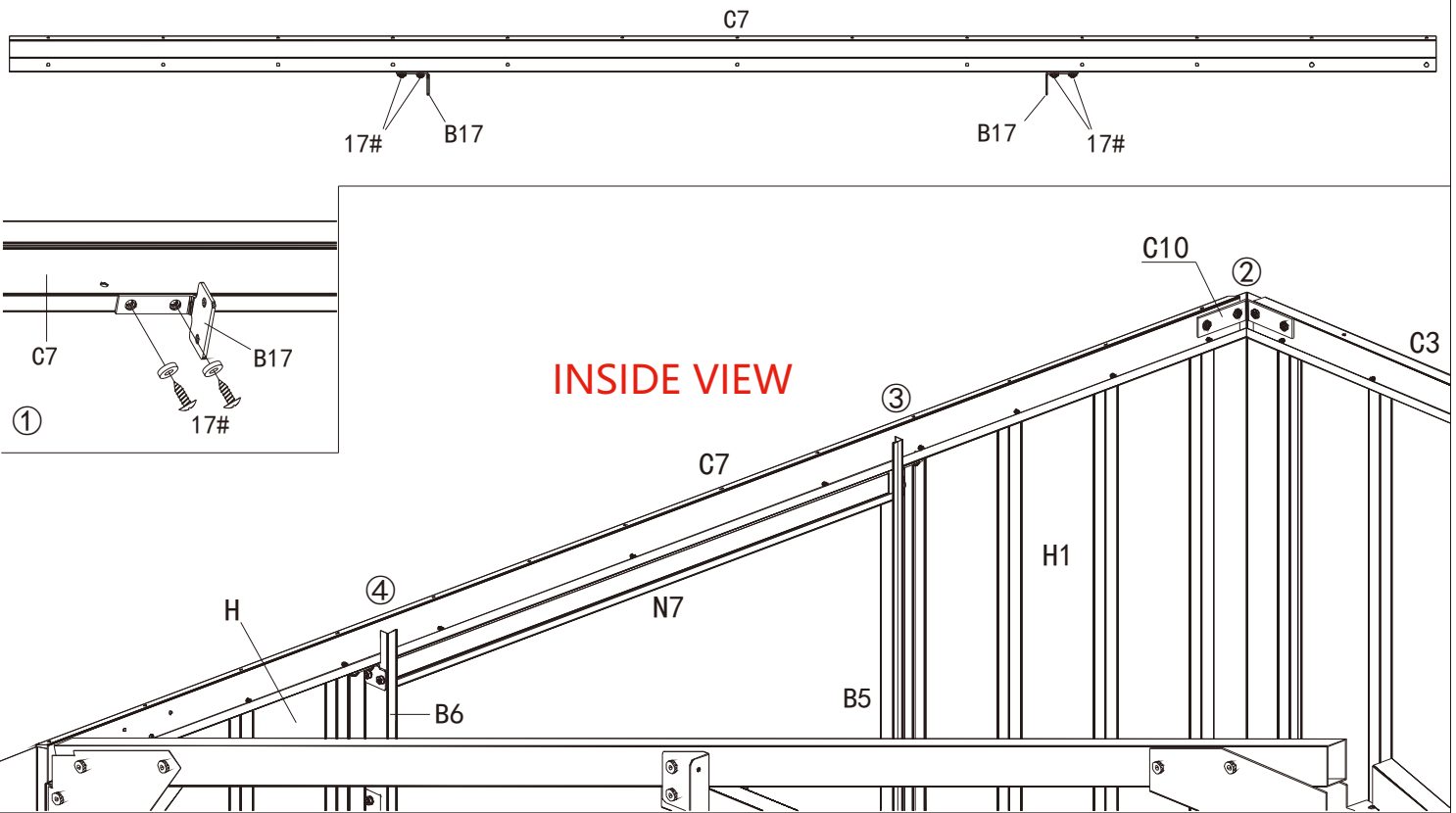
①&②: Install the Top Frame C1, C2, C9, and C11 (already assembled) onto the front side, securing with screws #13 and 2 bolts #4.

③: Install the Top Frame C3, C4, and C9 (already assembled) onto the back side, securing with screws #13 .



SECTION VIEW



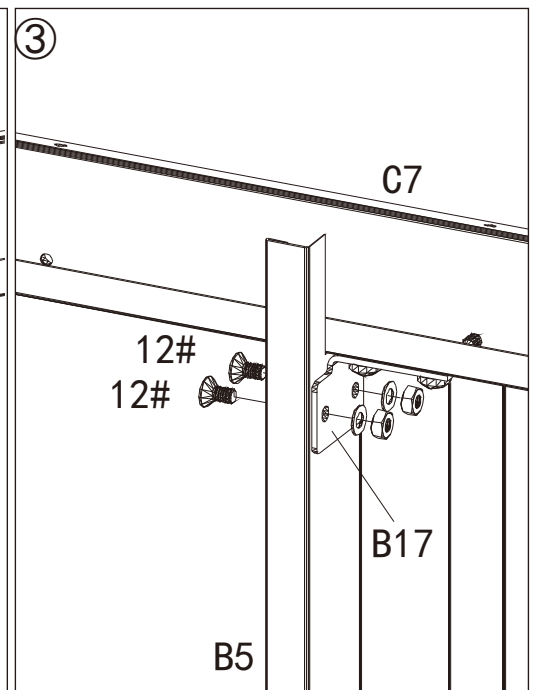
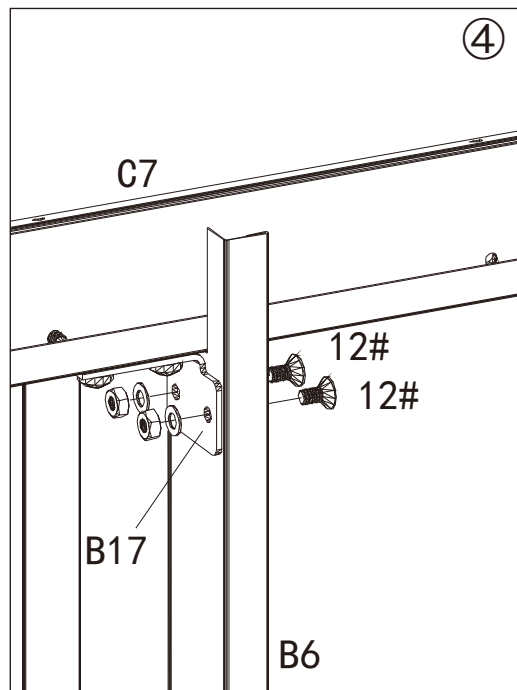
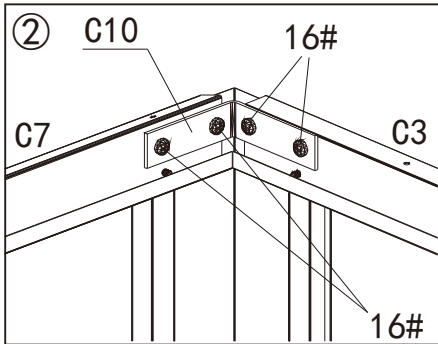


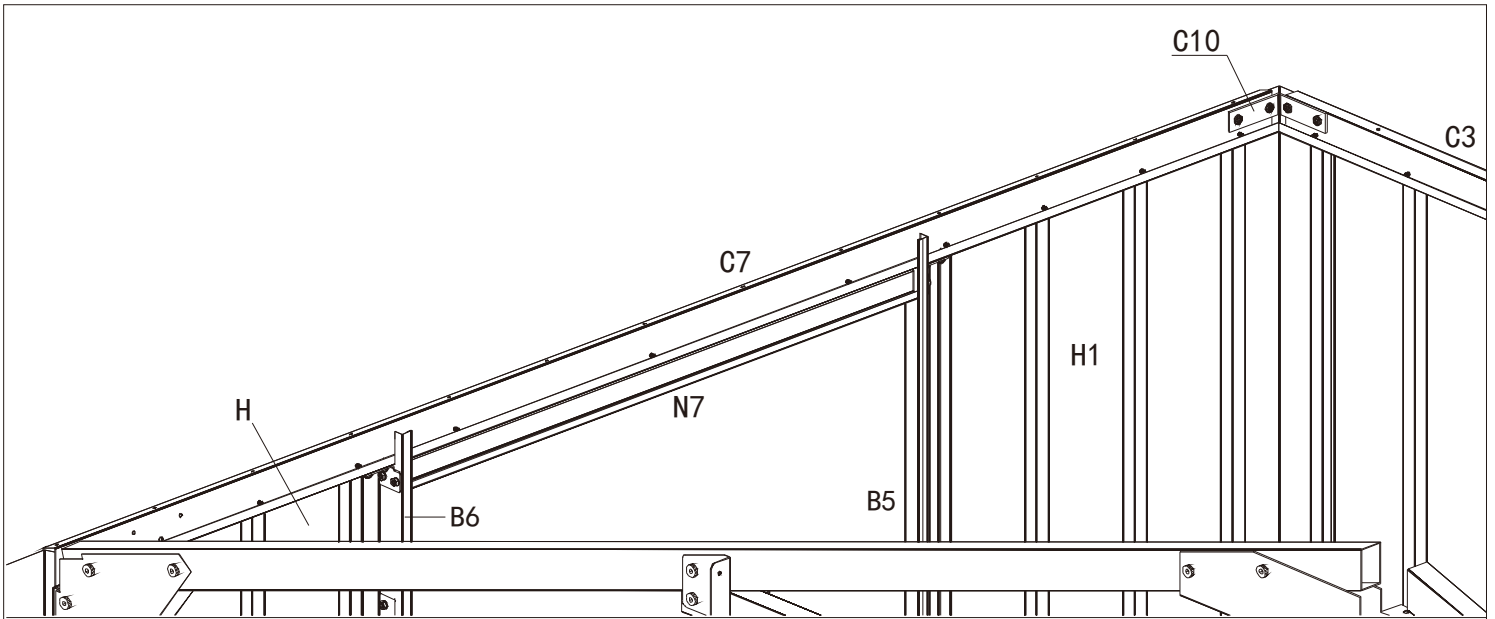
**INSIDE VIEW**

①: Use 4 screws #17 to install 2 Bracket #B17 below #C7.

②: Clip C7 into the top of H/H1. Use 4 screws #16 and Bracket #C10 to connect top frame #C7 & C3.

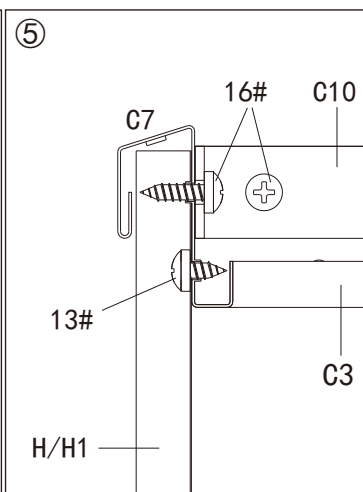
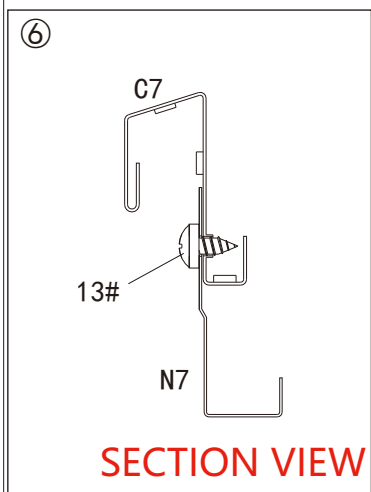
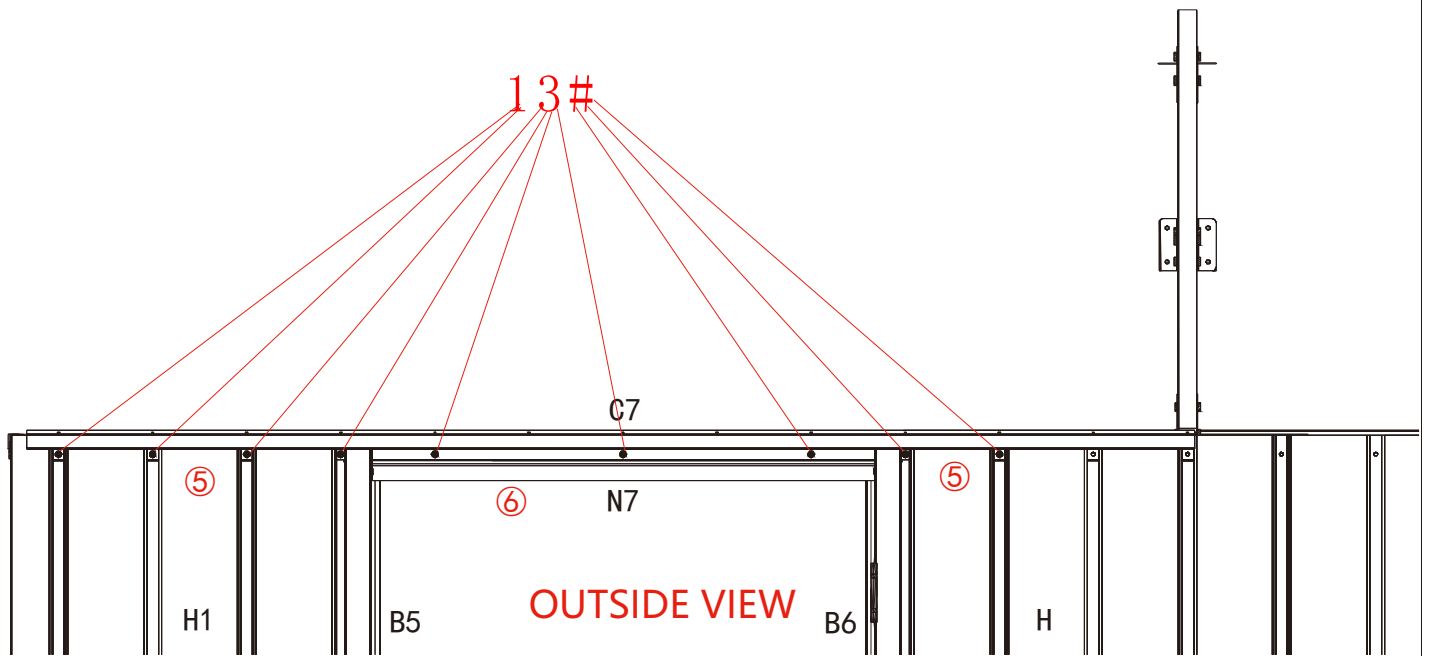
③/④: Use 2 bolts and nuts #12 to secure Bracket # B17 to #B5/B6.





⑤: Use 6 screws #13 to secure top frame #C7 with H/H1.

⑥: Use 3 screws #13 to secure #N7 with #C7.

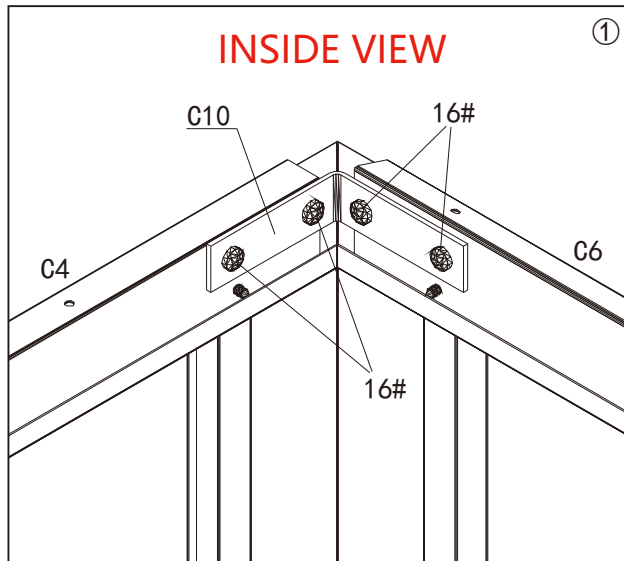
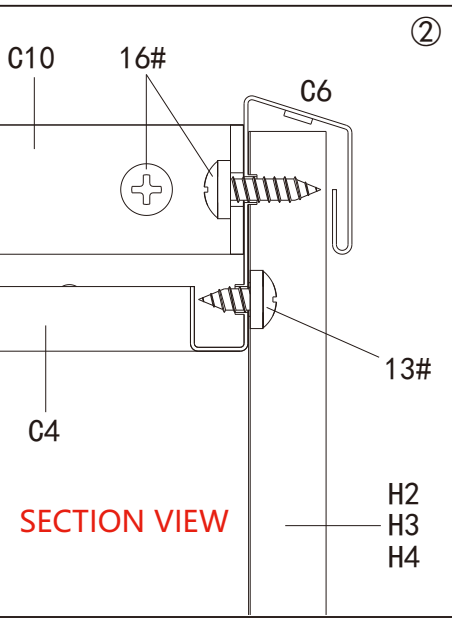


C6-x1

C10-x1

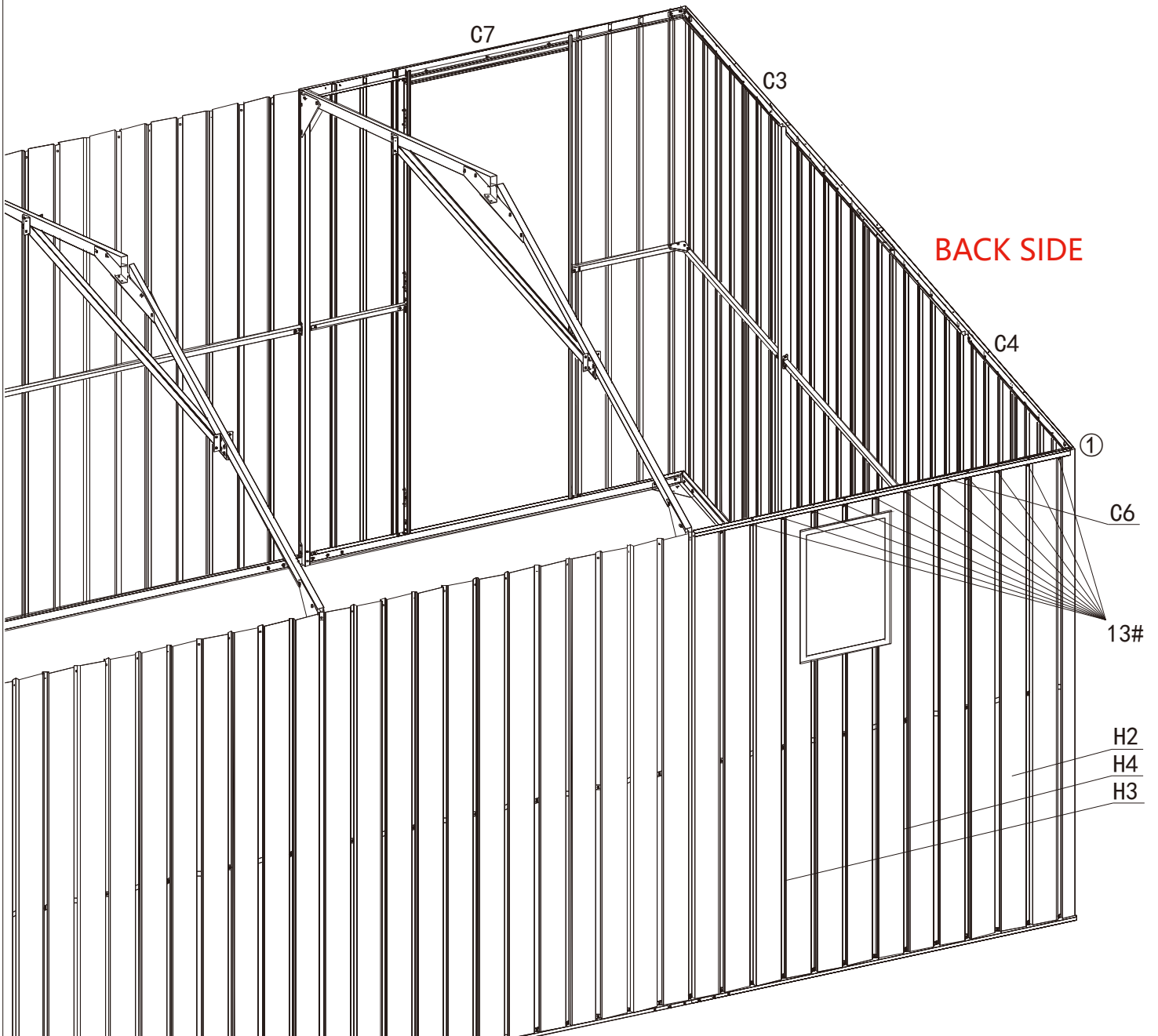
13# - x11

16# - x4

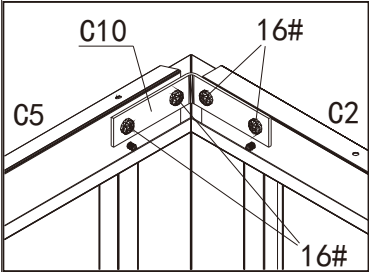
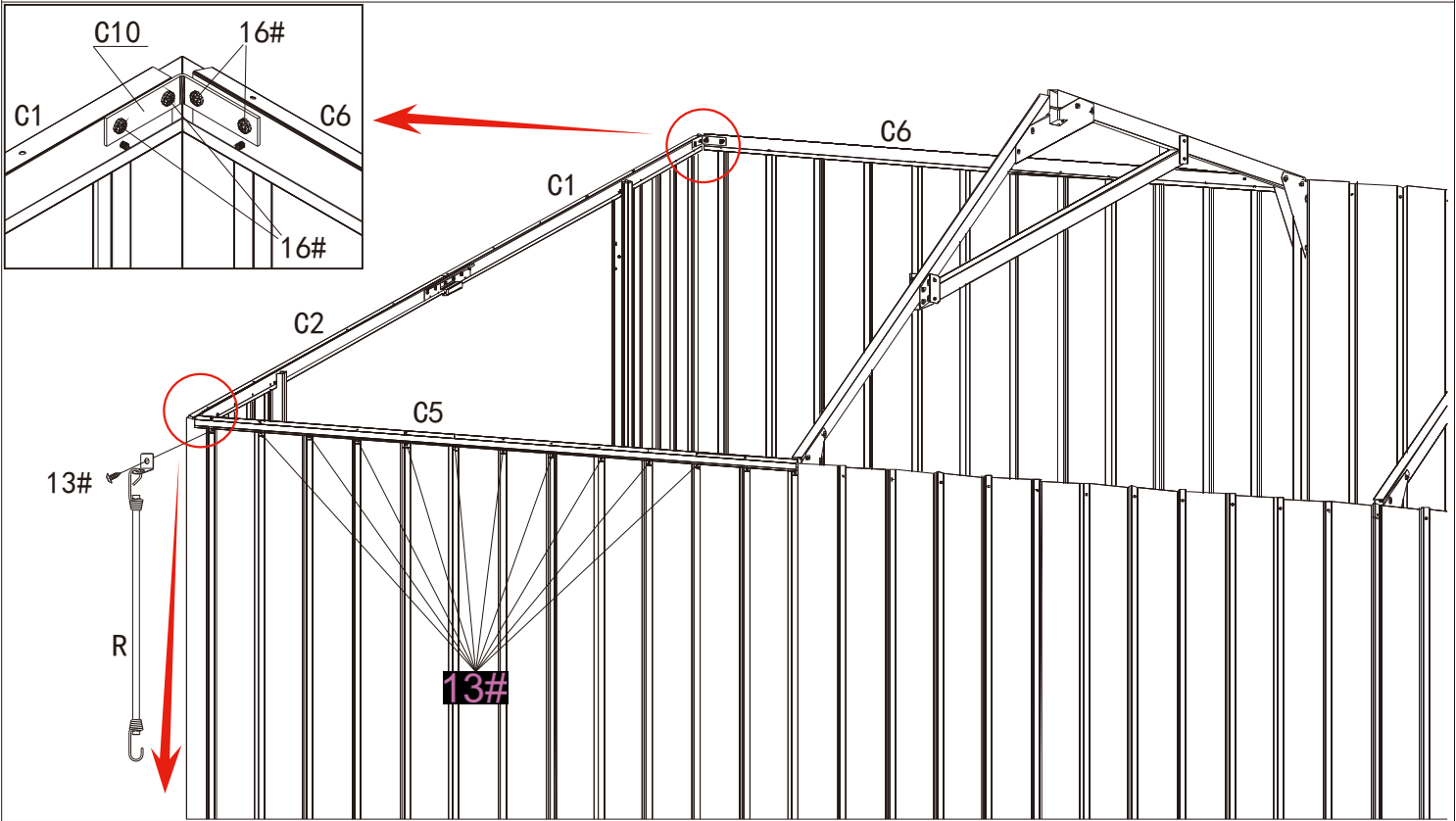


①: Place top frame #C6 on the side wall, use 4 screws #16 and Bracket #C10 to connect top frame #C4 & C6.

②: Use 11 screws #13 to secure top frame #C6 with side panel #H2, H3 & H4.

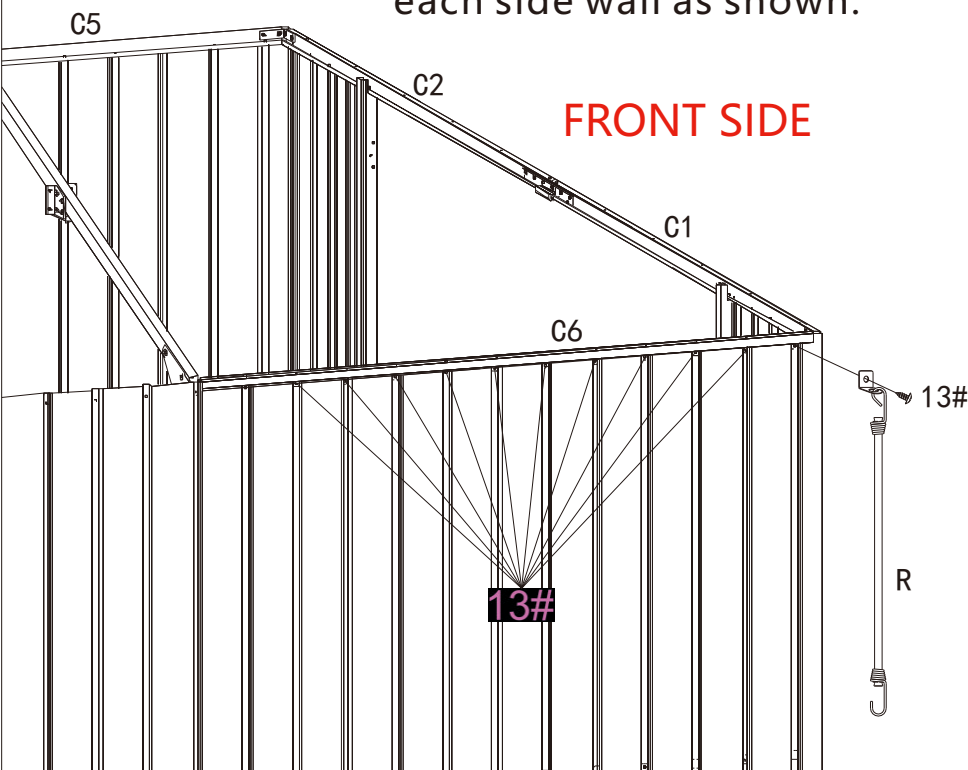


- C5-x1
- C6-x1
- C10-x2
- R-x2
- 13# - x22
- 16# - x8

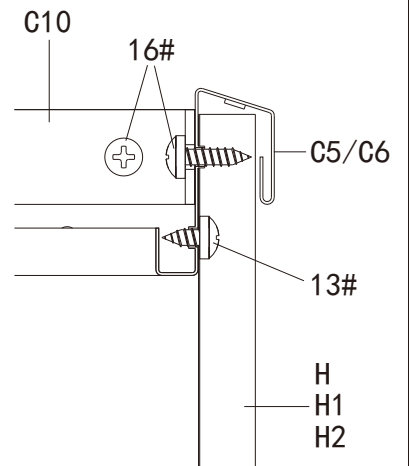


Place top frame #C5 on the side wall, use 4 screws #16 and Bracket #C10 to connect top frame #C2 & C5. Use 10 screws #13 to secure top frame #C5 with side panel. Repeat above procedures to connect top frame #C1 & C6.

Use screws #13 to install Windbreak rope hook #R to each side wall as shown.



**FRONT SIDE**

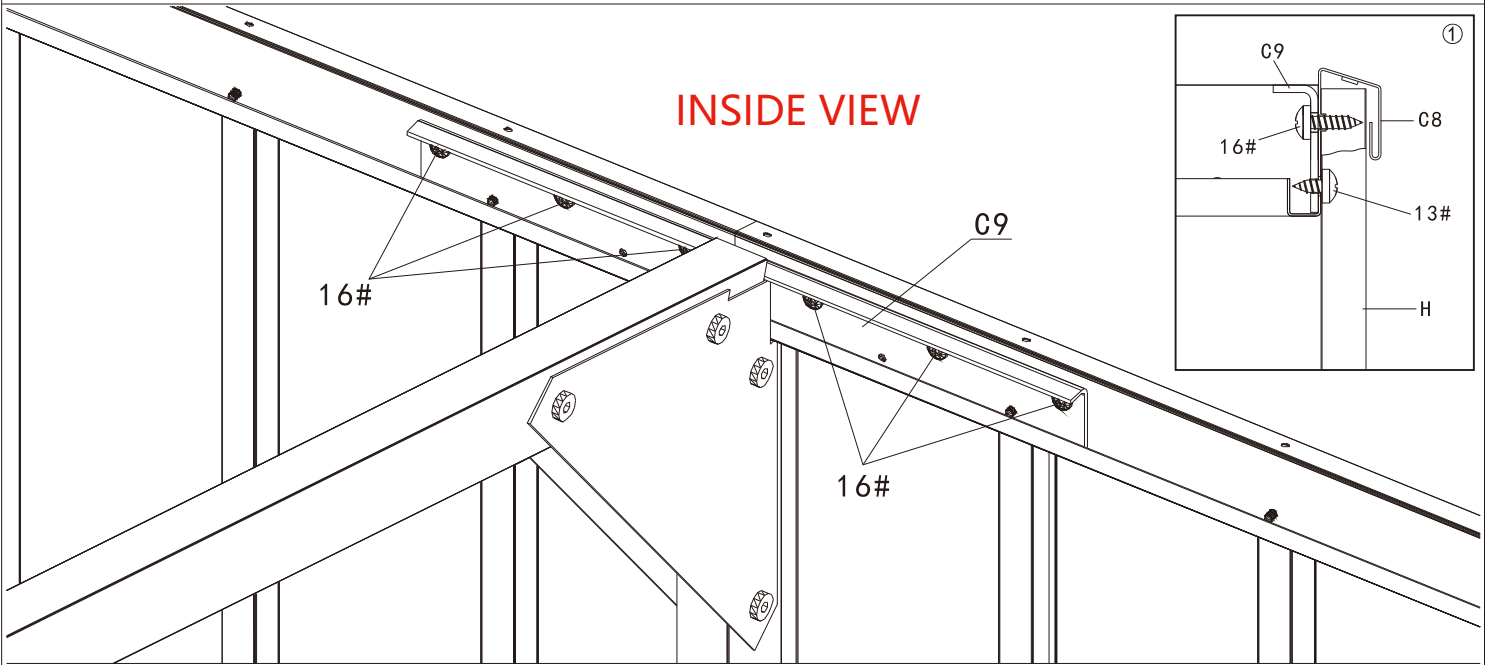


C8-x6

C9-x8

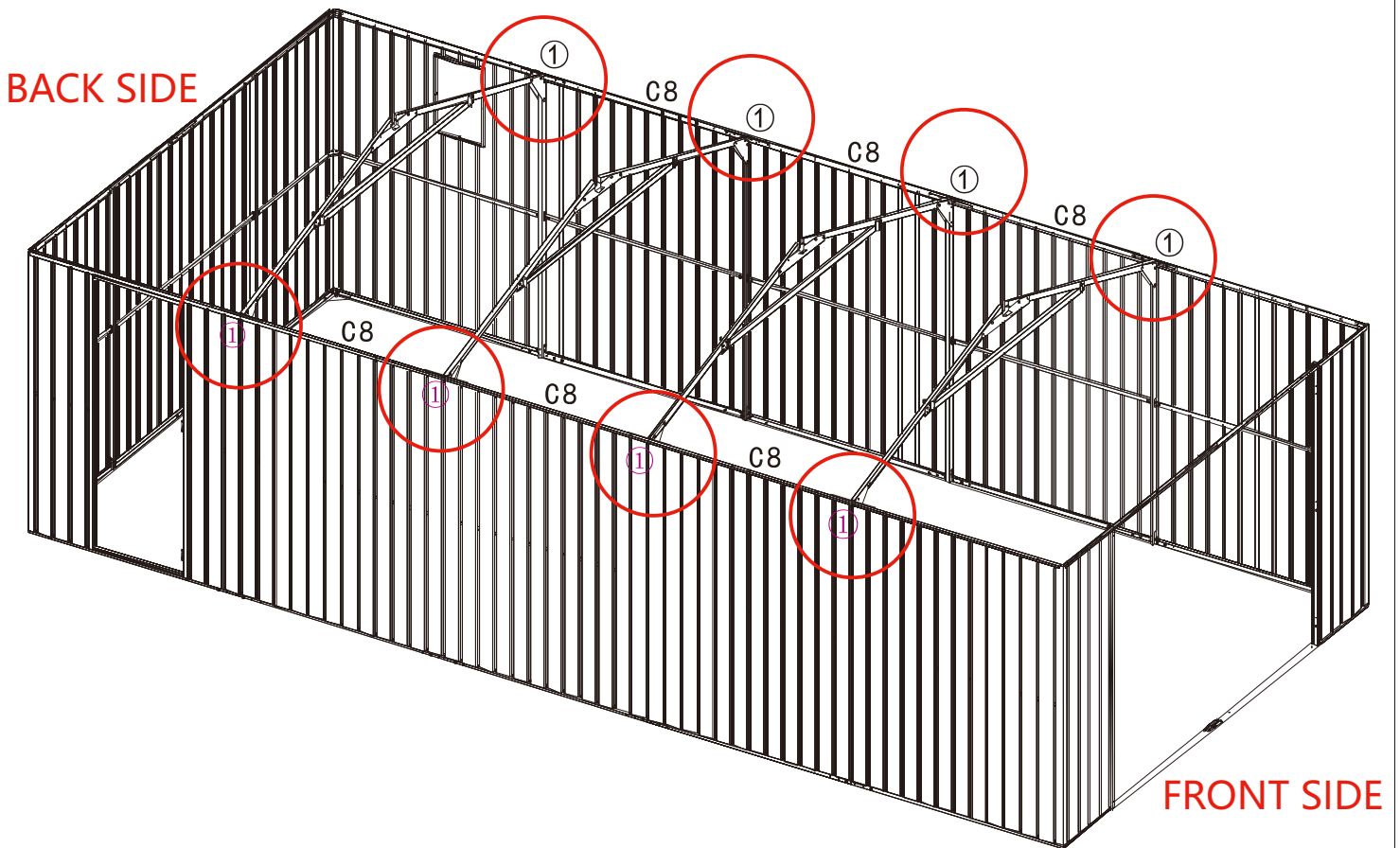
13#-x78

16#-x48



### INSIDE VIEW

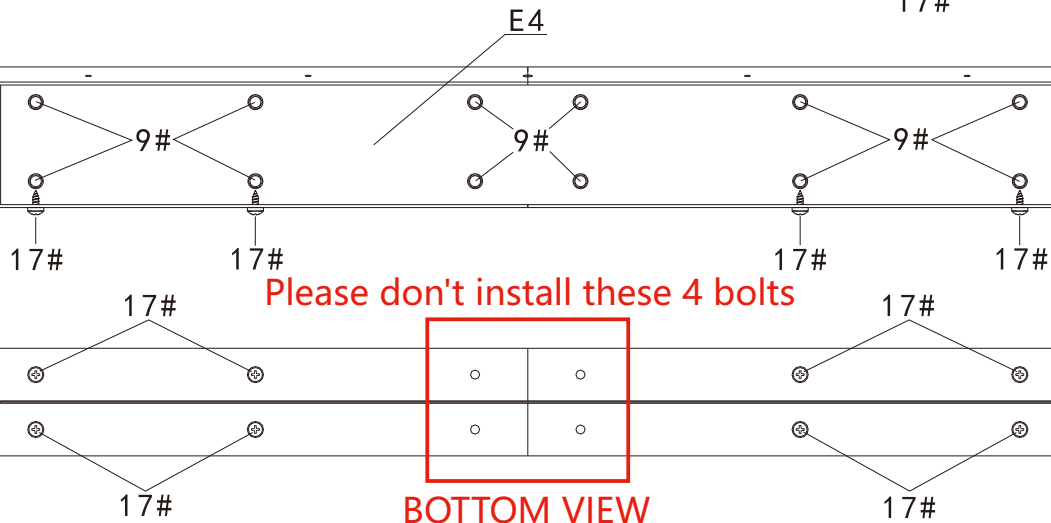
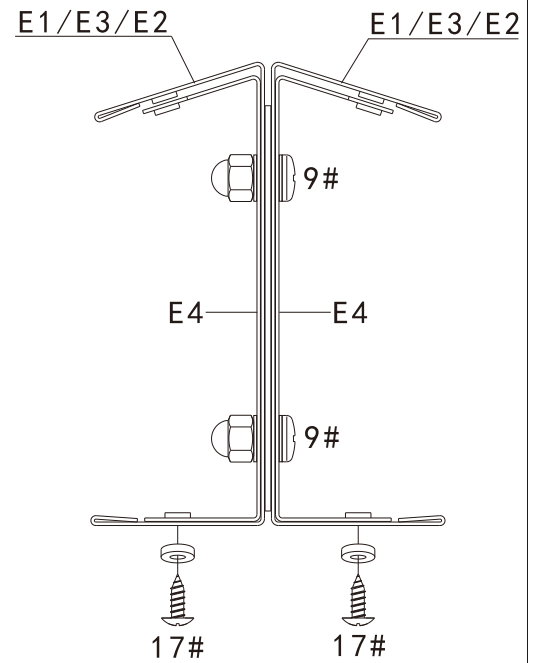
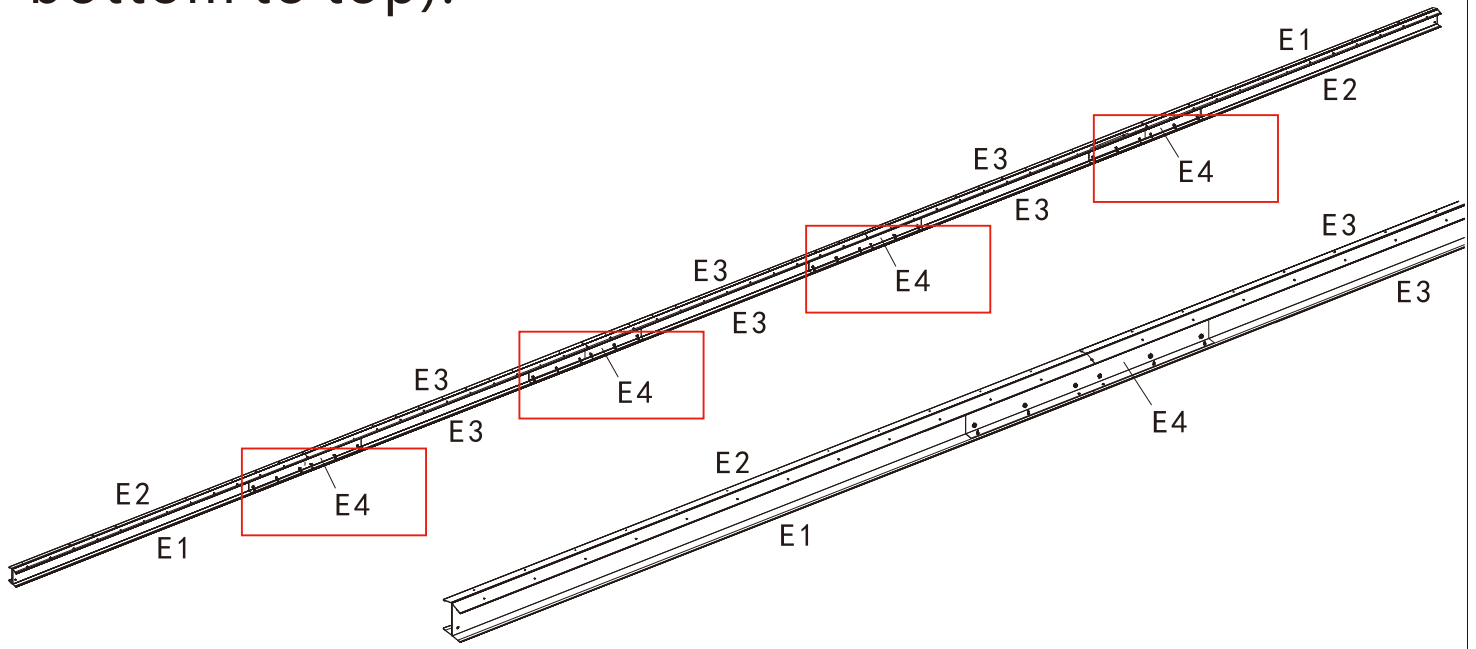
①: Install top frame #C8 and #C9 as shown. Align the holes, use 6 screws #16 to secure top frame C8 & #C9 with side wall (from inside to outside). Repeat the above procedures to assemble the other 5 sides.



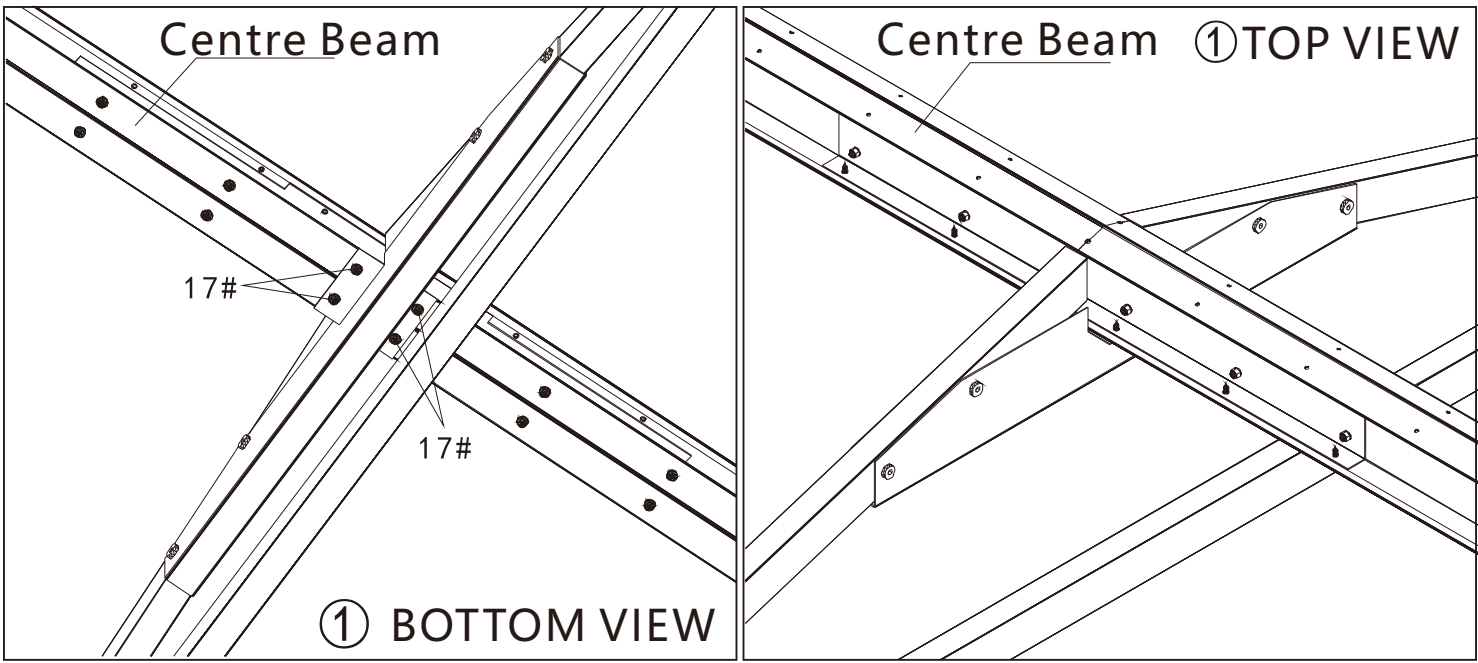
Use 39 screws #13 to secure top frame #C8 with side wall (from outside to inside). Repeat the above procedures to assemble another side.



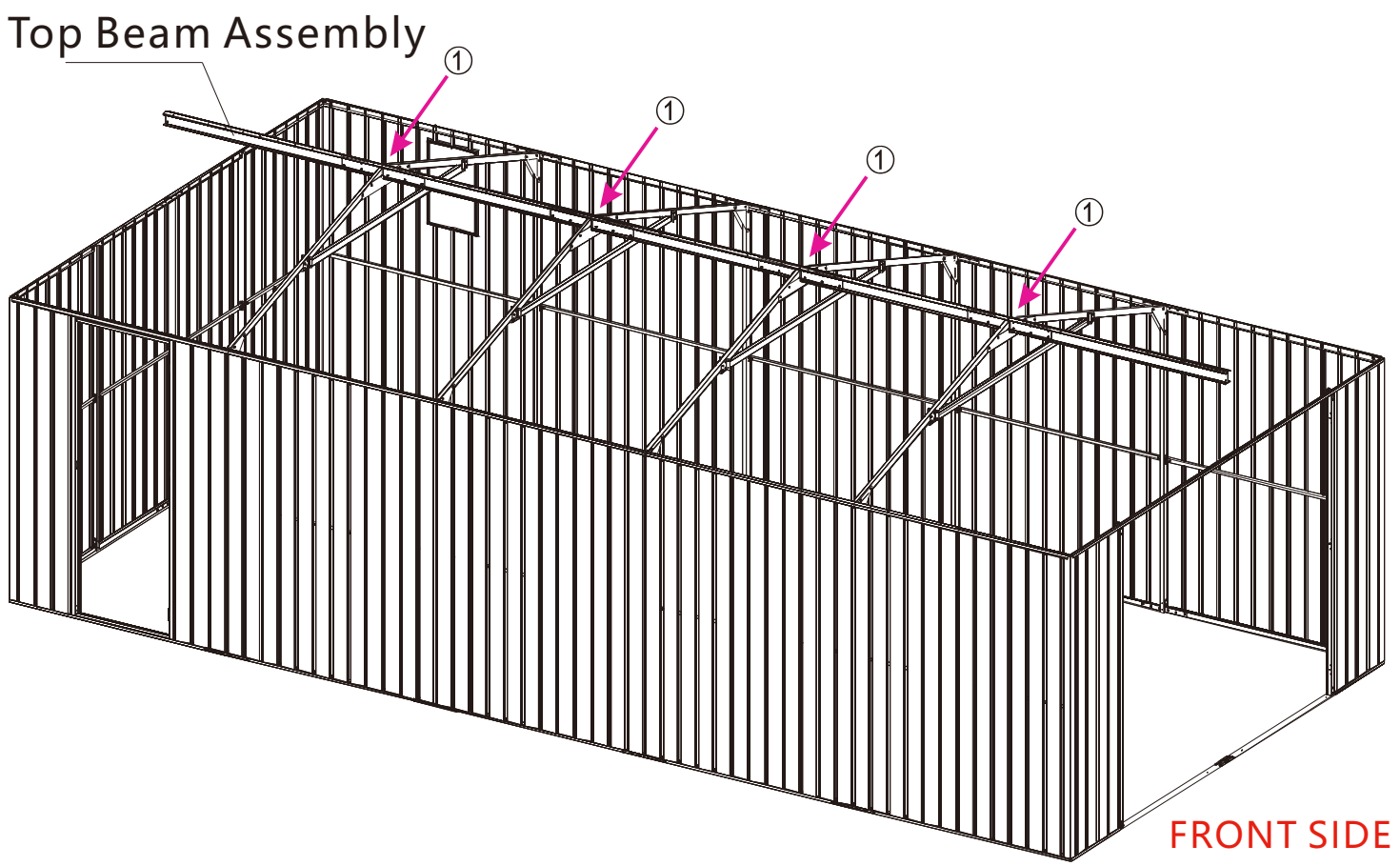
Use 8 screws #17 to secure each connection (from bottom to top).

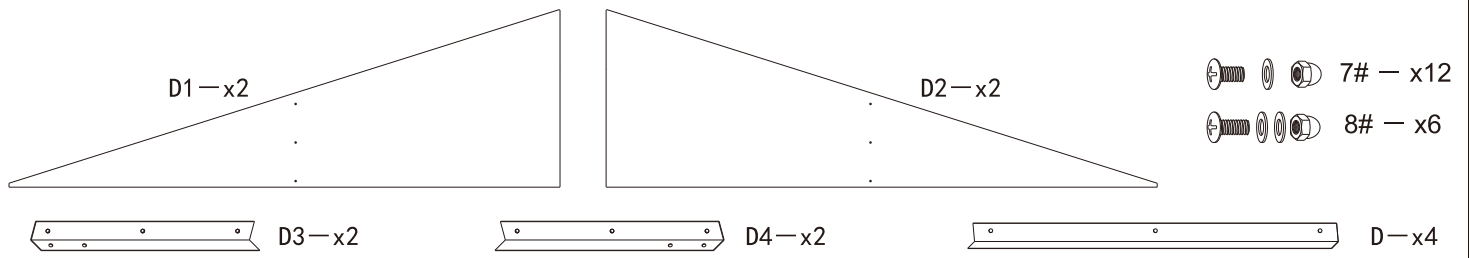


**BOTTOM VIEW**

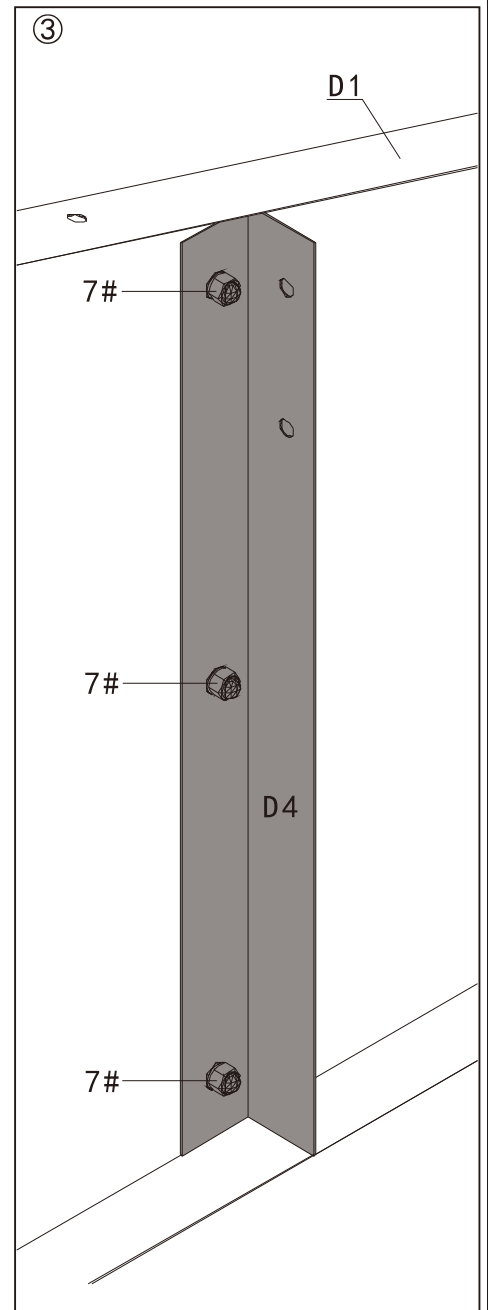
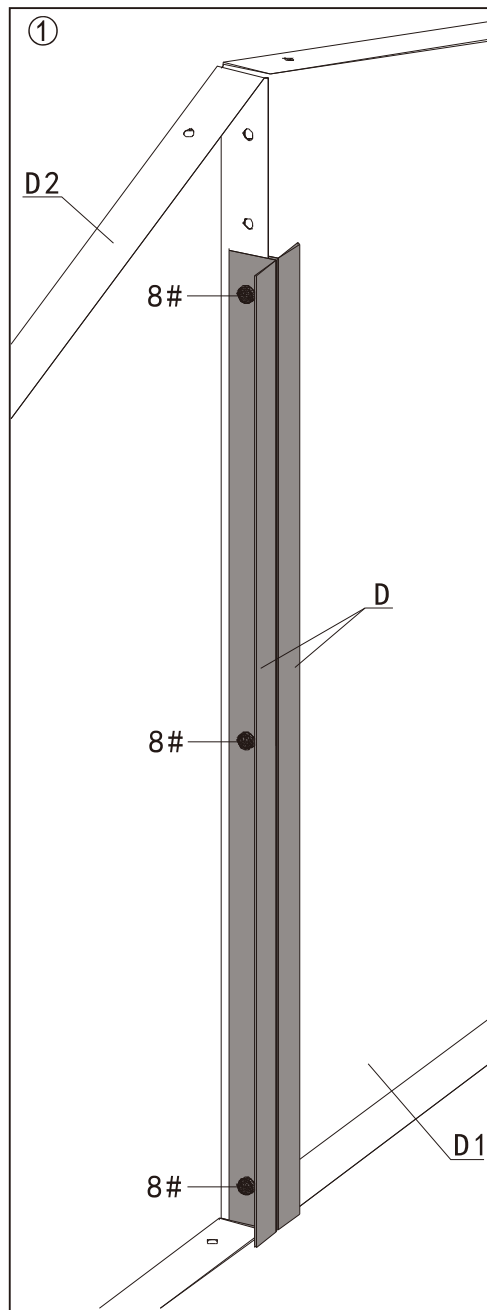
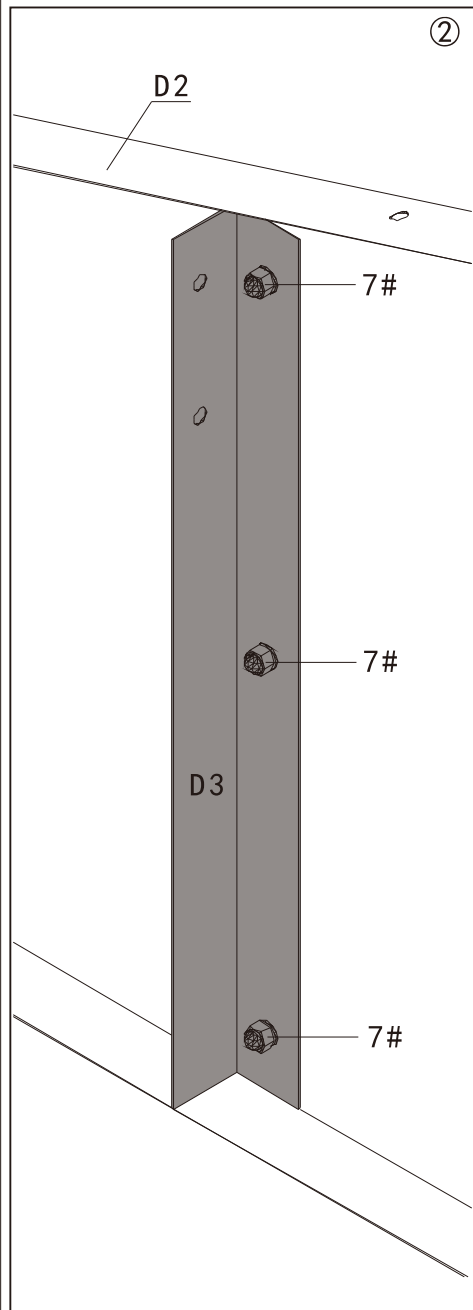
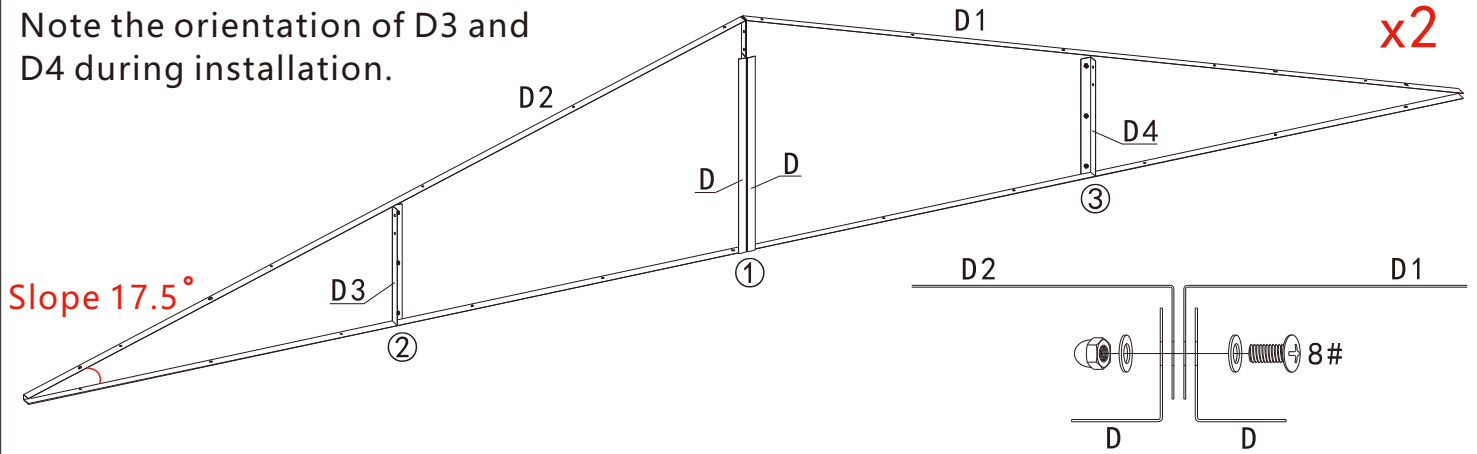


①: Install the centre beam, securing with 4 screws #17 (from bottom to top)

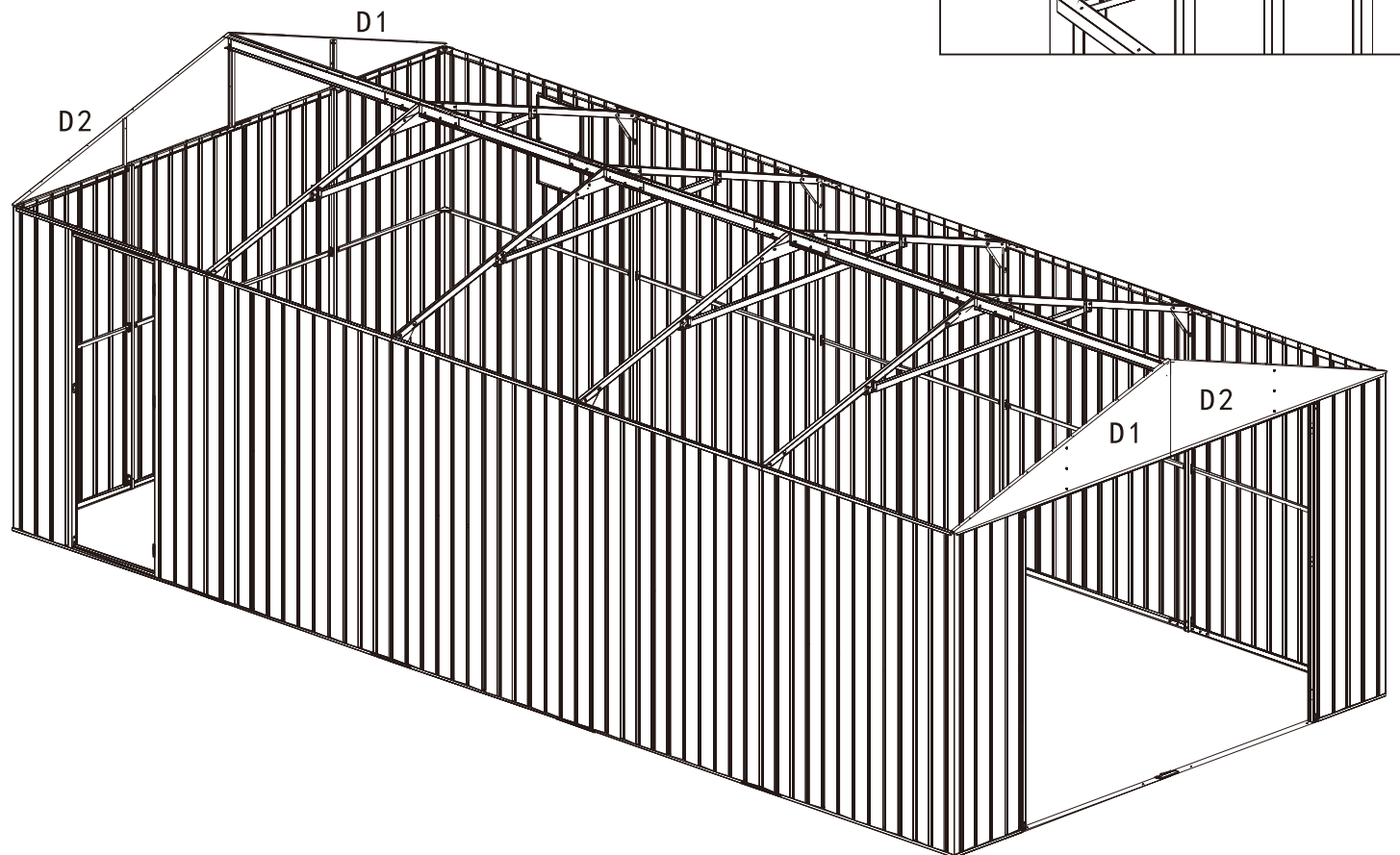
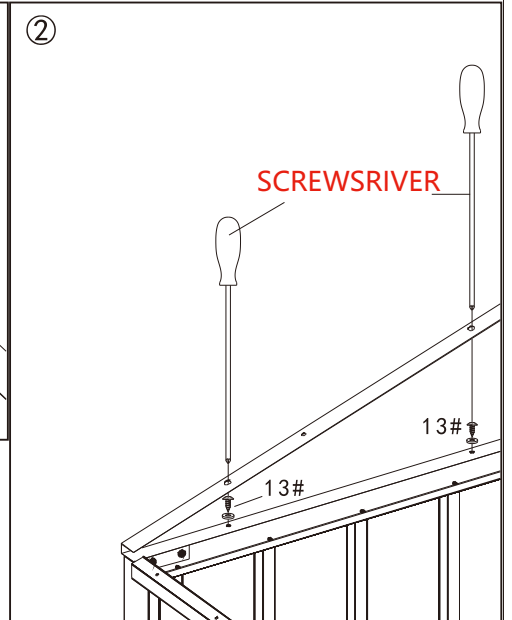
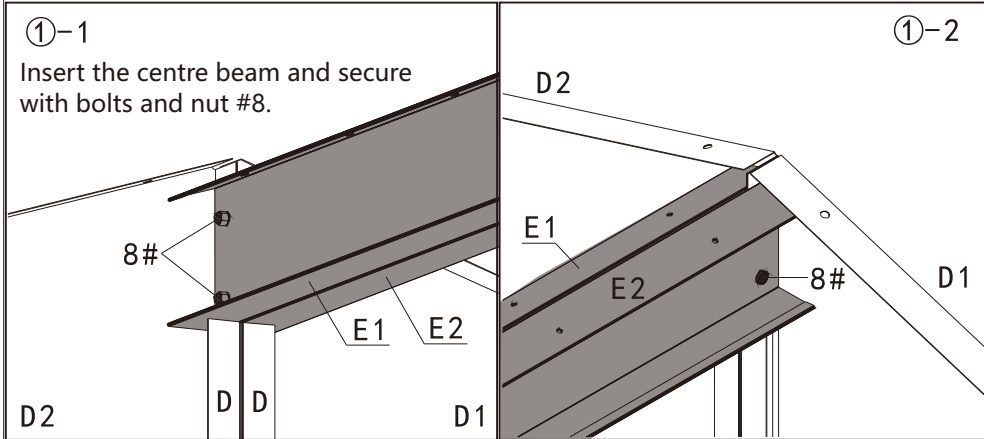
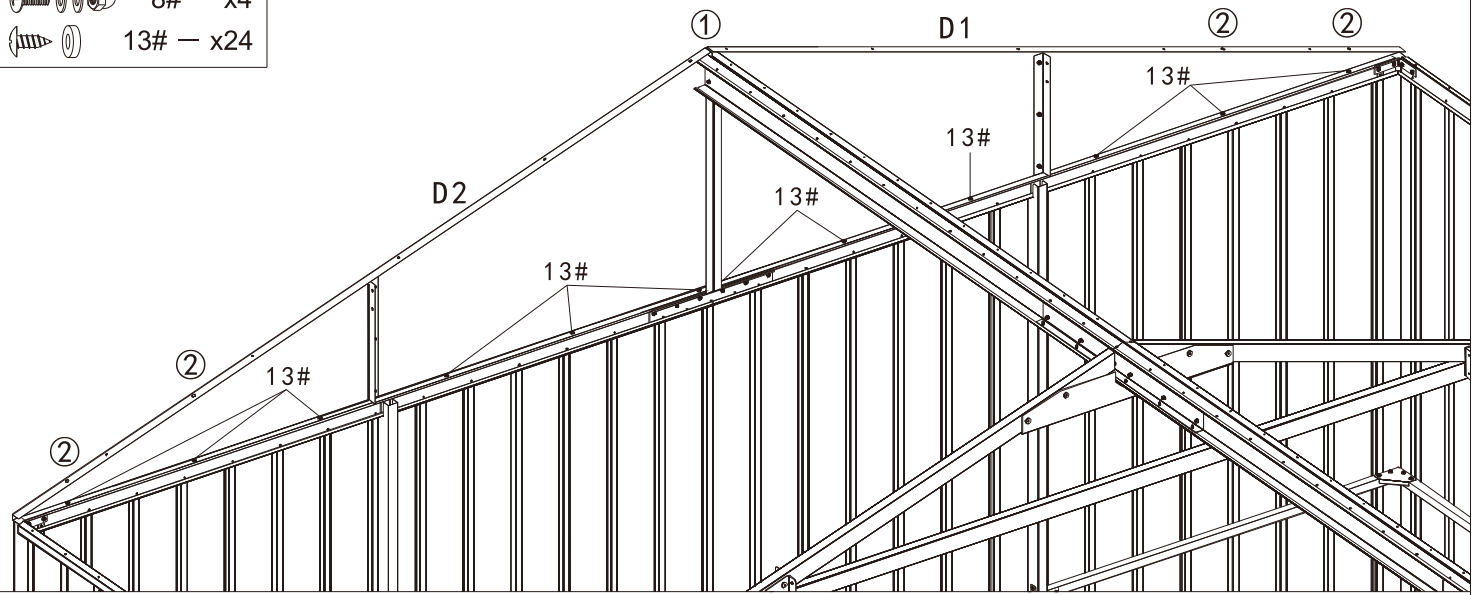




Note the orientation of D3 and D4 during installation.

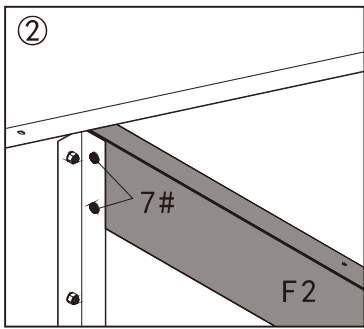
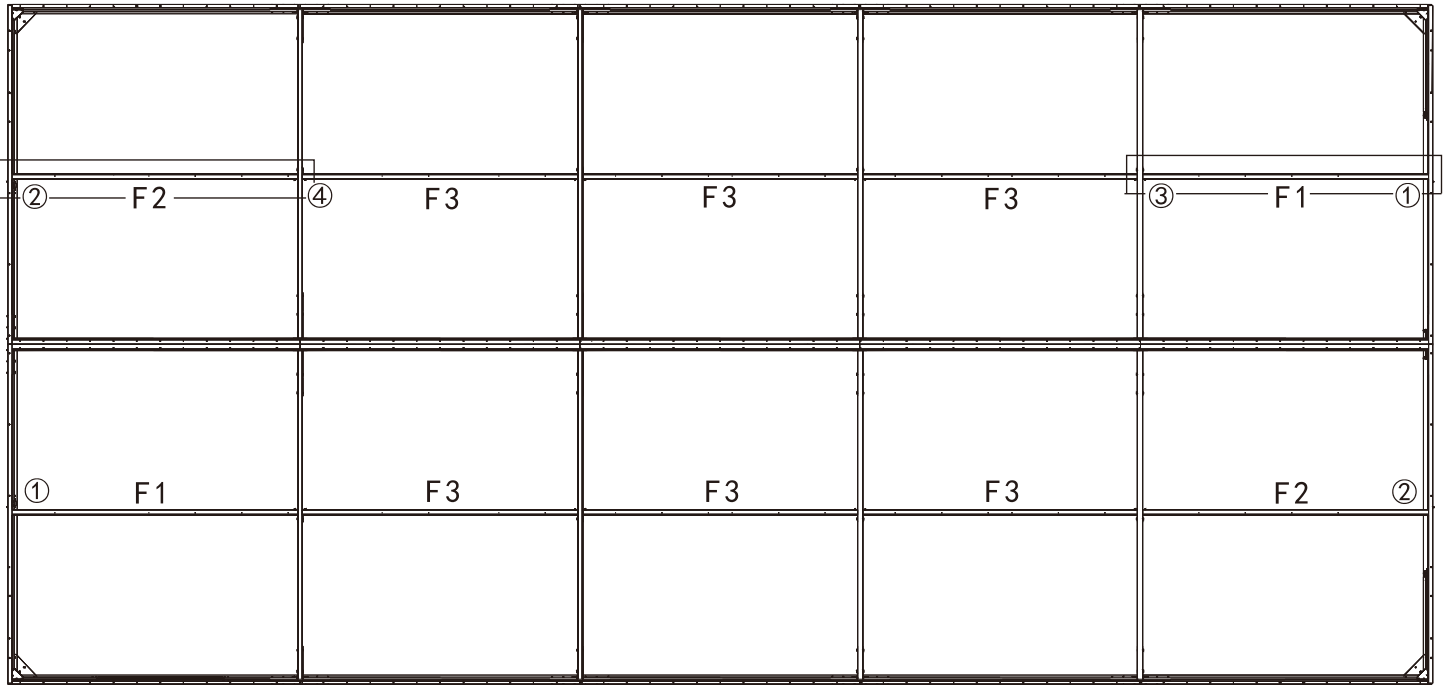


-  8# — x4
-  13# — x24

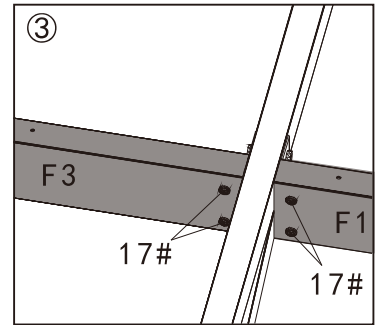
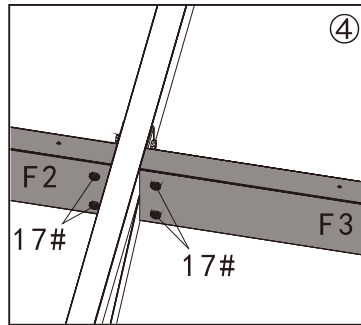


F1-x2        F2-x2  
  F3-x6       7# - x8       17# - x32

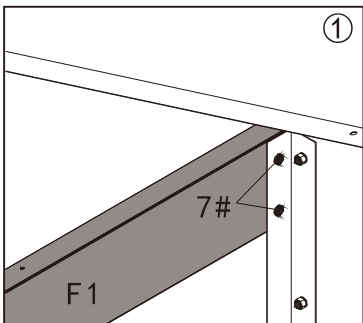
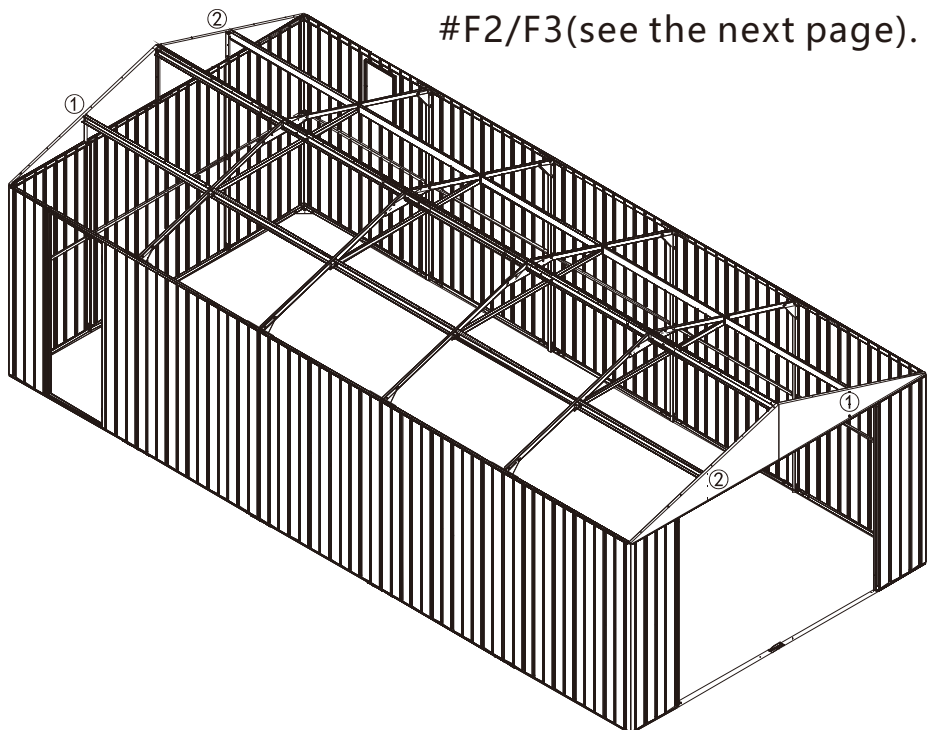
Make sure the notch faces outward.



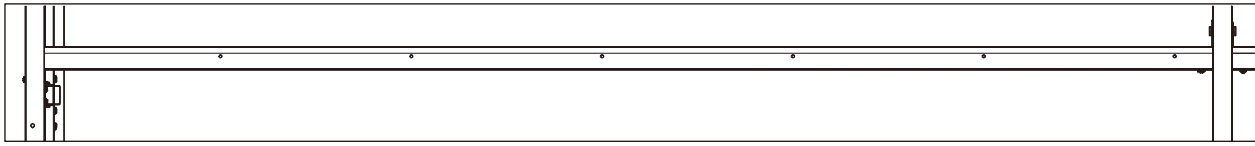
Side Beam Assembly



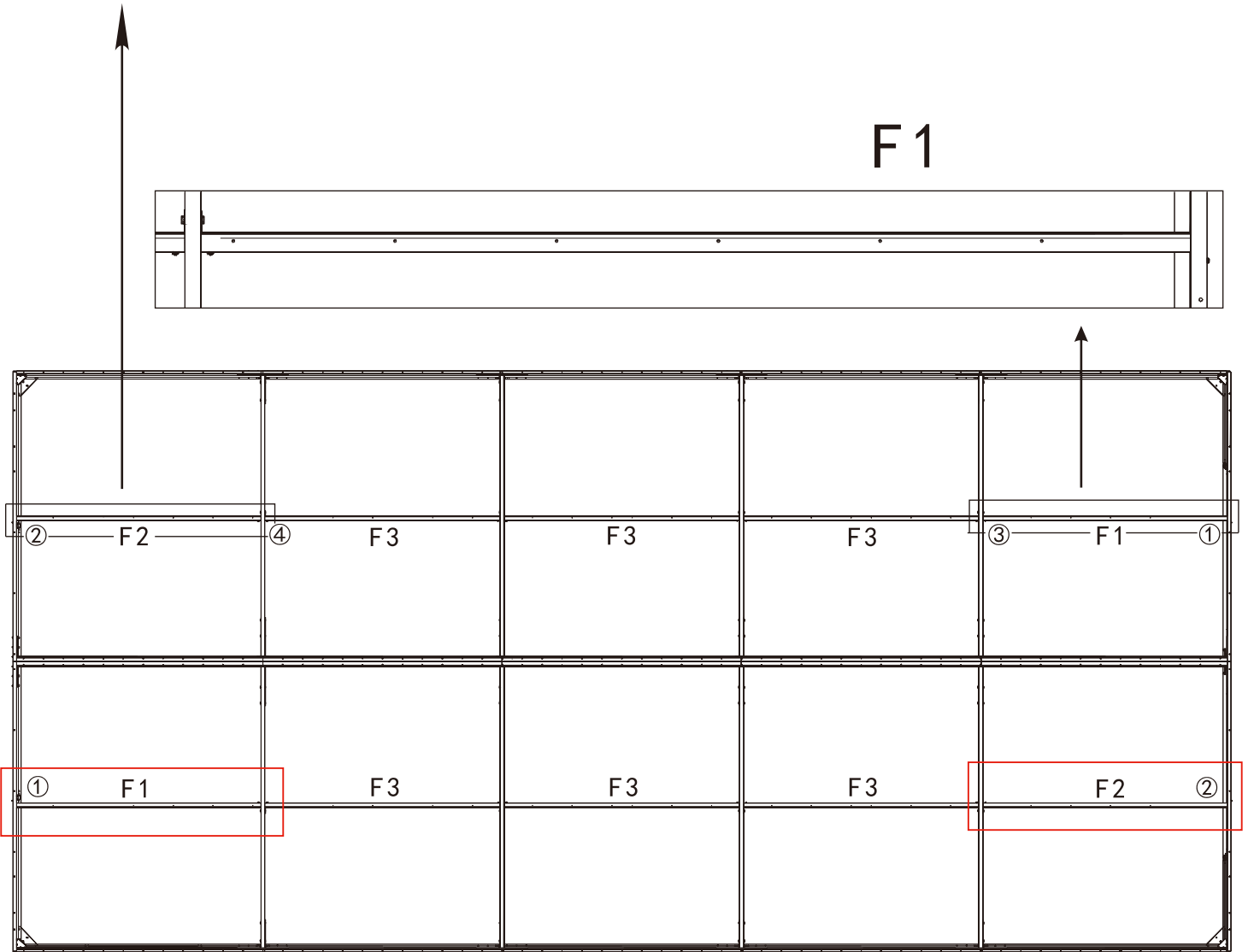
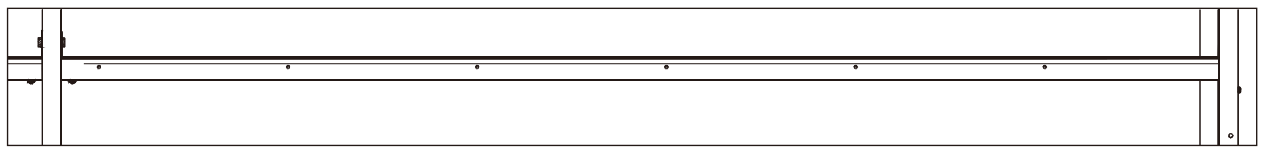
Note the installation direction of #F2/F3(see the next page).



F2

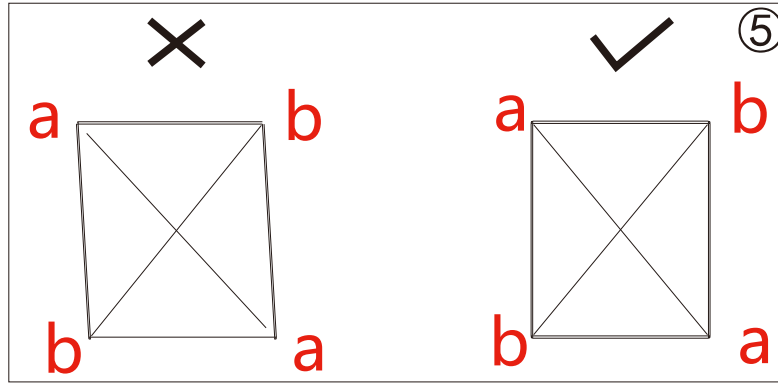


F1

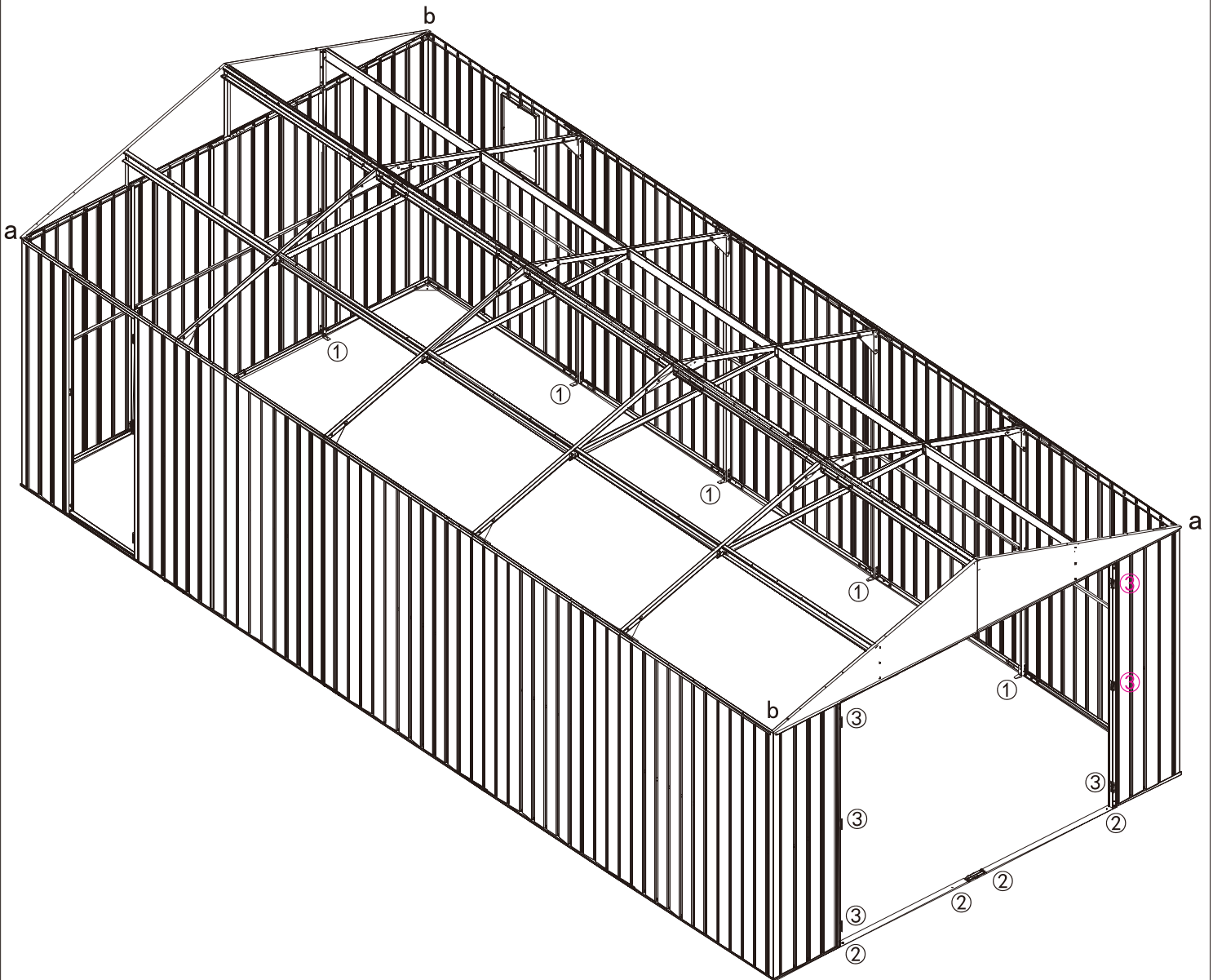


**Note the installation direction of #F2/F1.**

## Adjust the Base Frame



Before installing the ground fixing bolts, adjust the angle of the base and the wall to a rectangle: diagonal a-a=b-b.



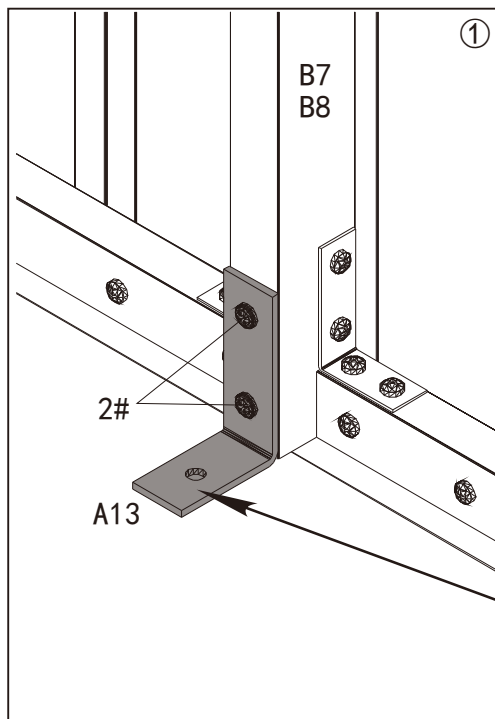
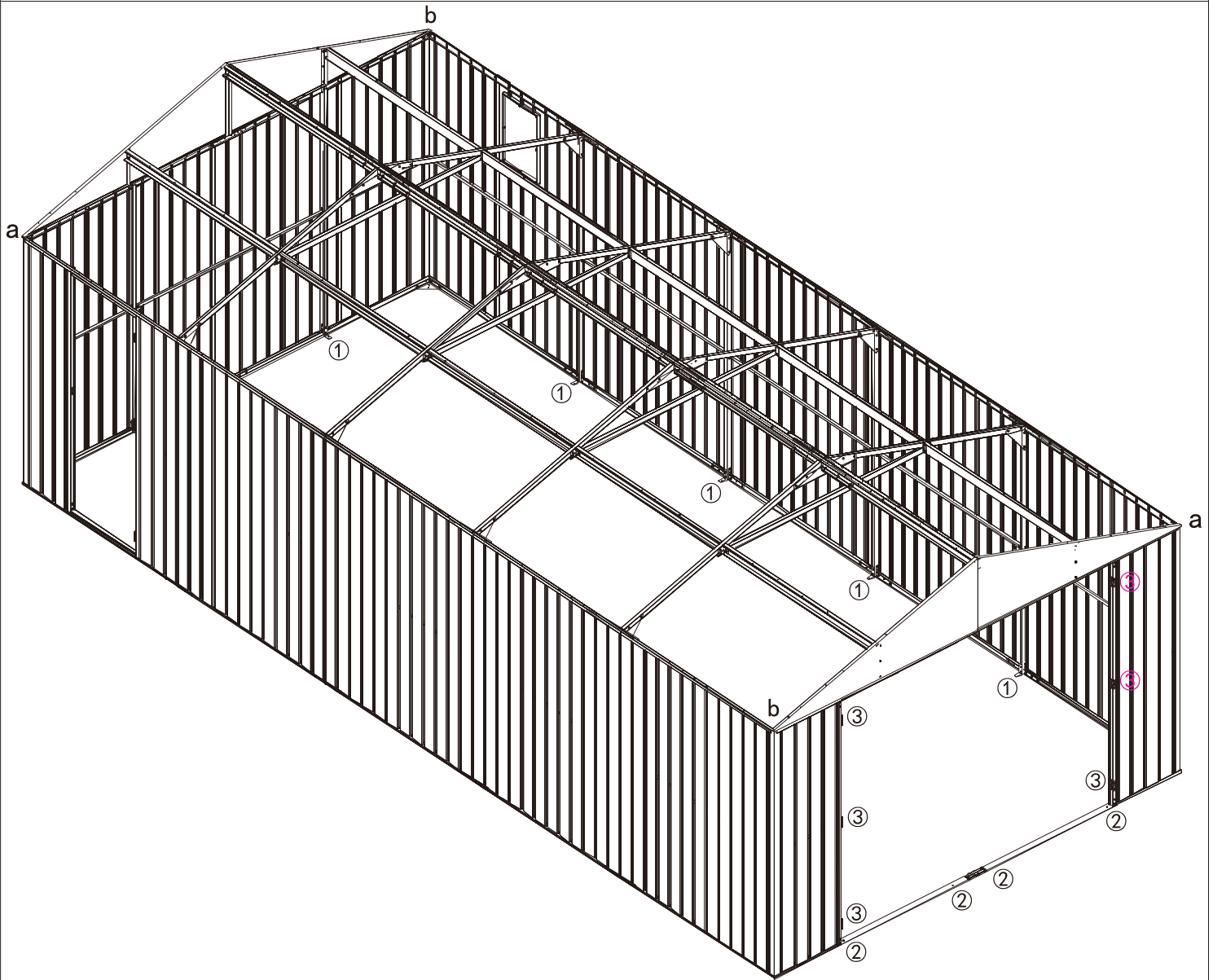
A13-x10

2# - x20

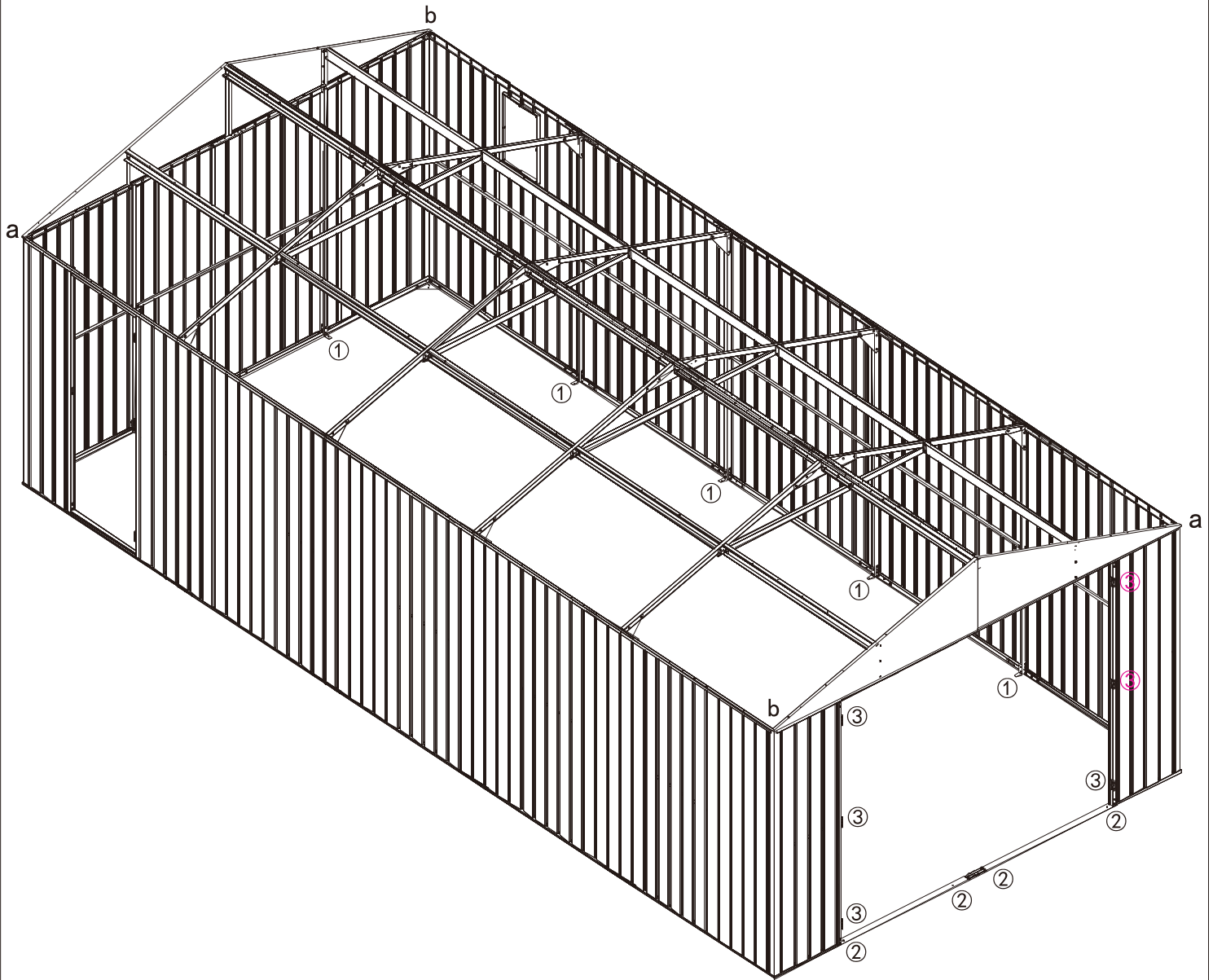
5# - x4

P-x6

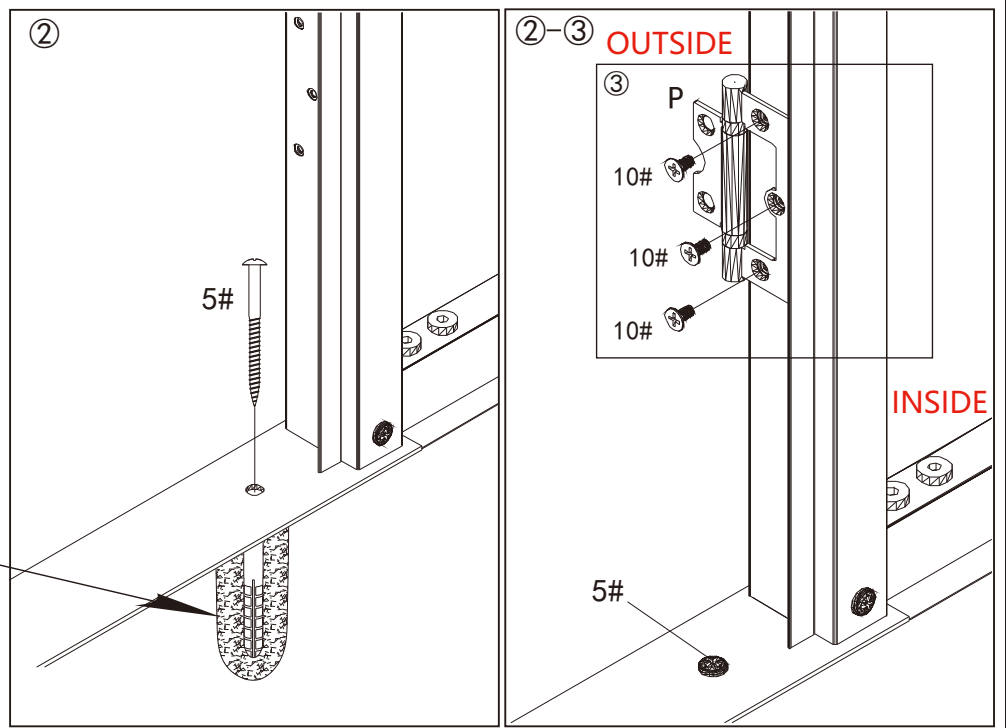
10# - x18

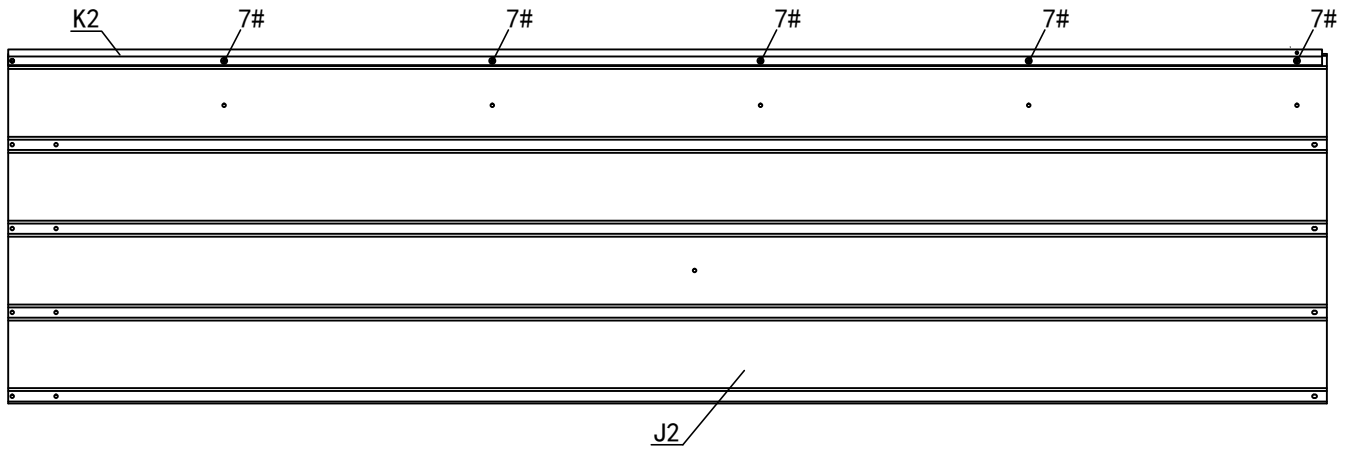
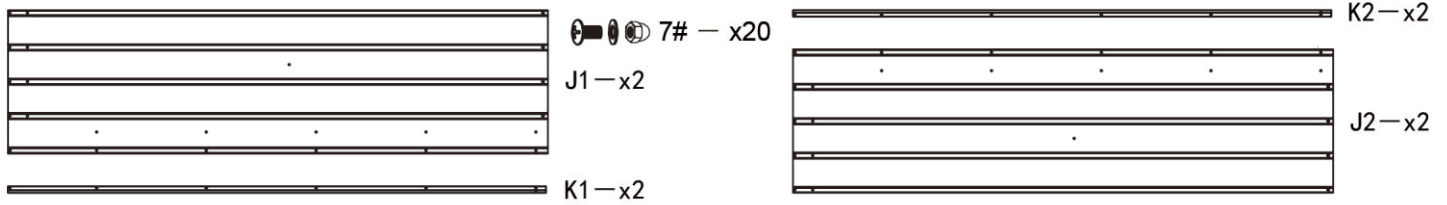


①: You need to prepare expansion bolts by yourself to secure the base frame to the ground.

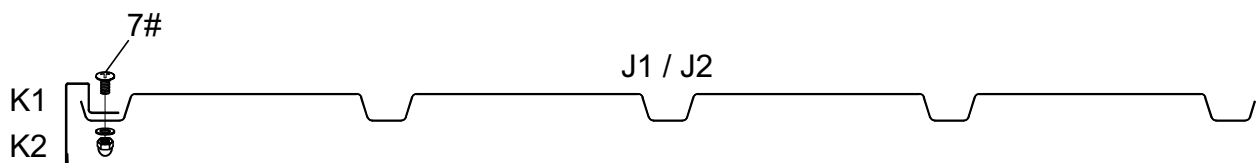
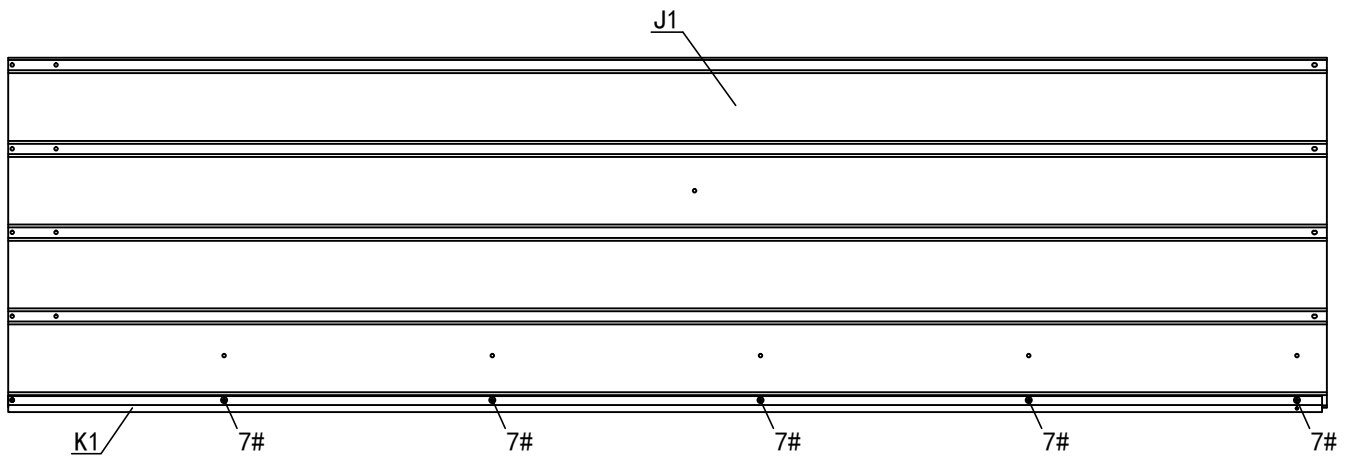


- ②: Before installing the drywall anchor, it is necessary to punch holes in the ground. Use 4 Screws #5 to secure #A9 to the ground.
- ③: Install the Front Door hinges.

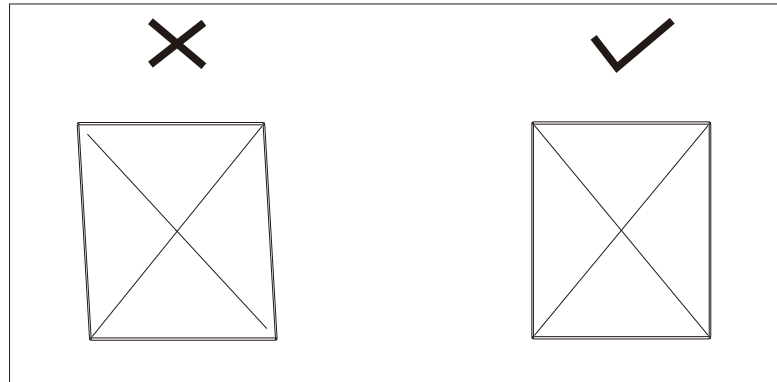




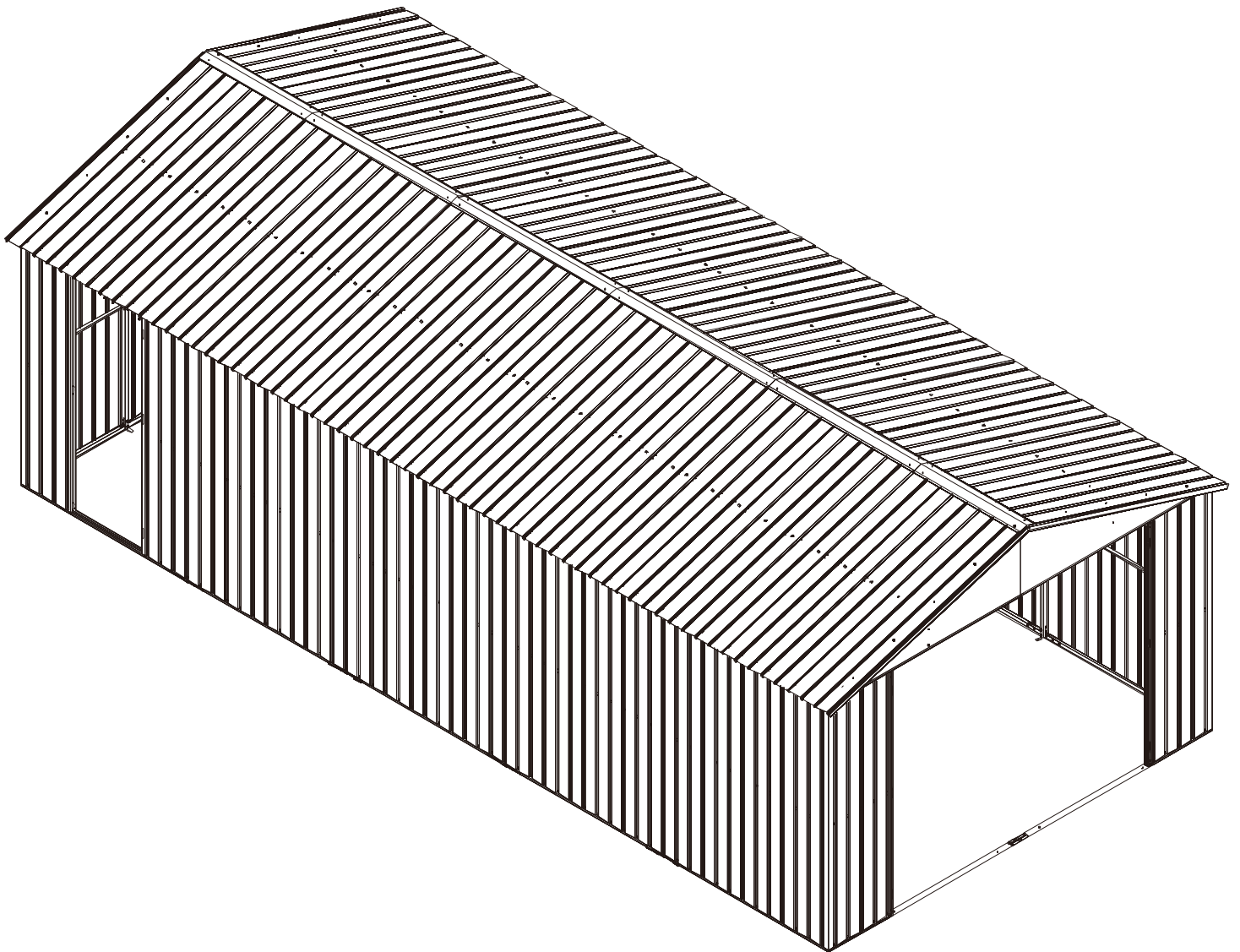
Install part #K2 to the one side of part #J2 with 5 bolts 7# gaskets and nuts.  
 Install part #K1 to the one side of part #J1 with 5 bolts 7# gaskets and nuts.








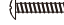
## Adjust the top frame

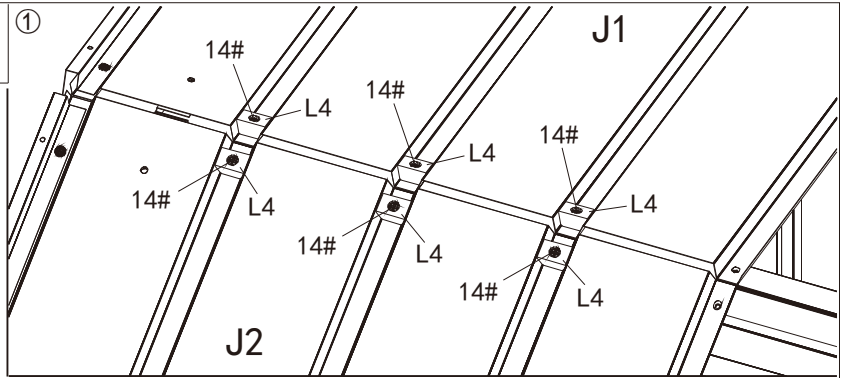
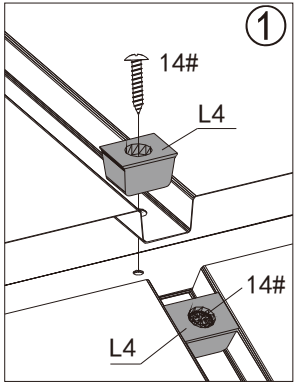


Attention: The roof panels can be installed in order or reverse order.  
If there is a deviation between the roof panels and the top frame installation hole, it is generally caused by the diagonal size deviation of the top frame .  
The diagonal distance of the top frame be measured and adjusted.



 Please stand inside the shed frame when installing the panels for convenience.

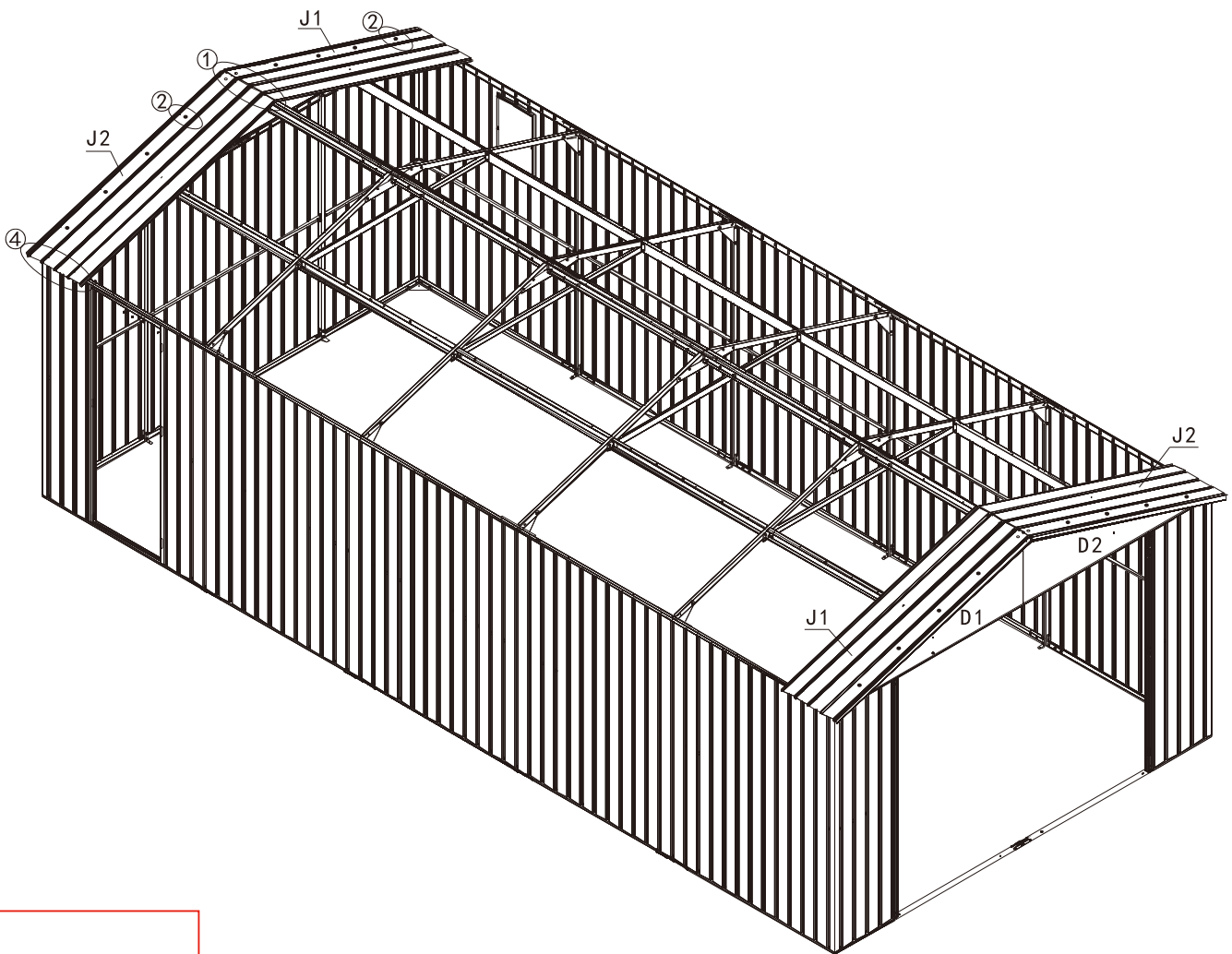
-  L4-x16
-  7# - x16
-  14# - x12
-  13# - x12
-  15# - x4



Install roof panel #J1 & J2.

①: Use 6 screws #14 to secure 6 black rubber #L4 and roof panels to the centre beam.

(Make sure the large end of black rubber facing upwards). Repeat the above procedures to assemble another side.

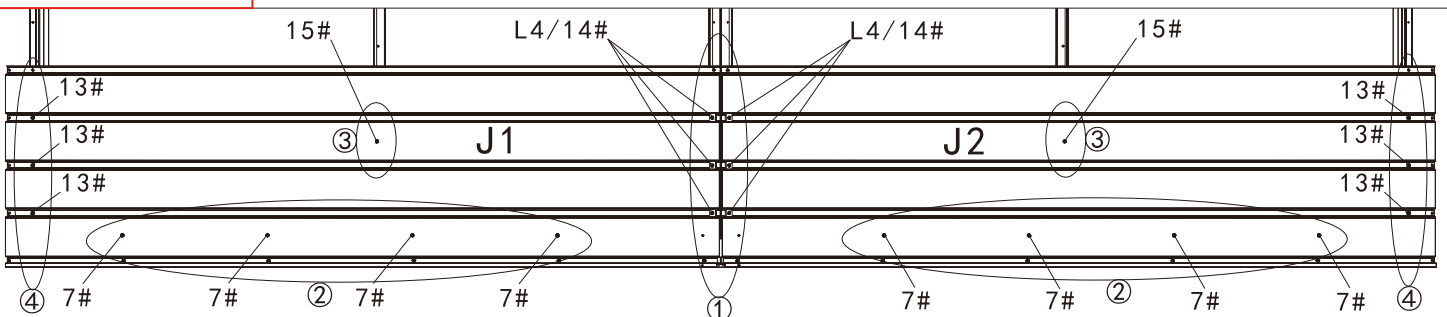


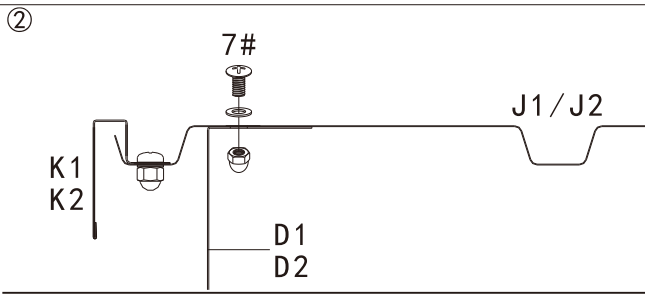
Top View

Side Beam

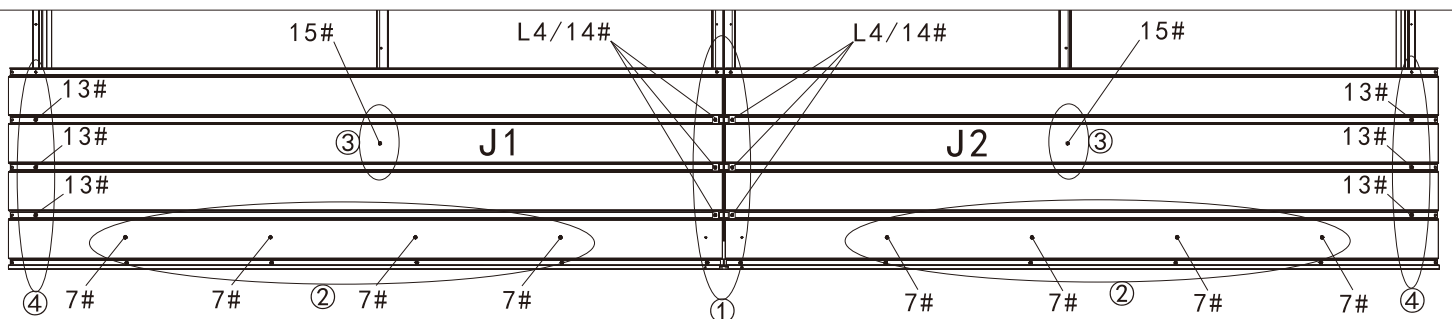
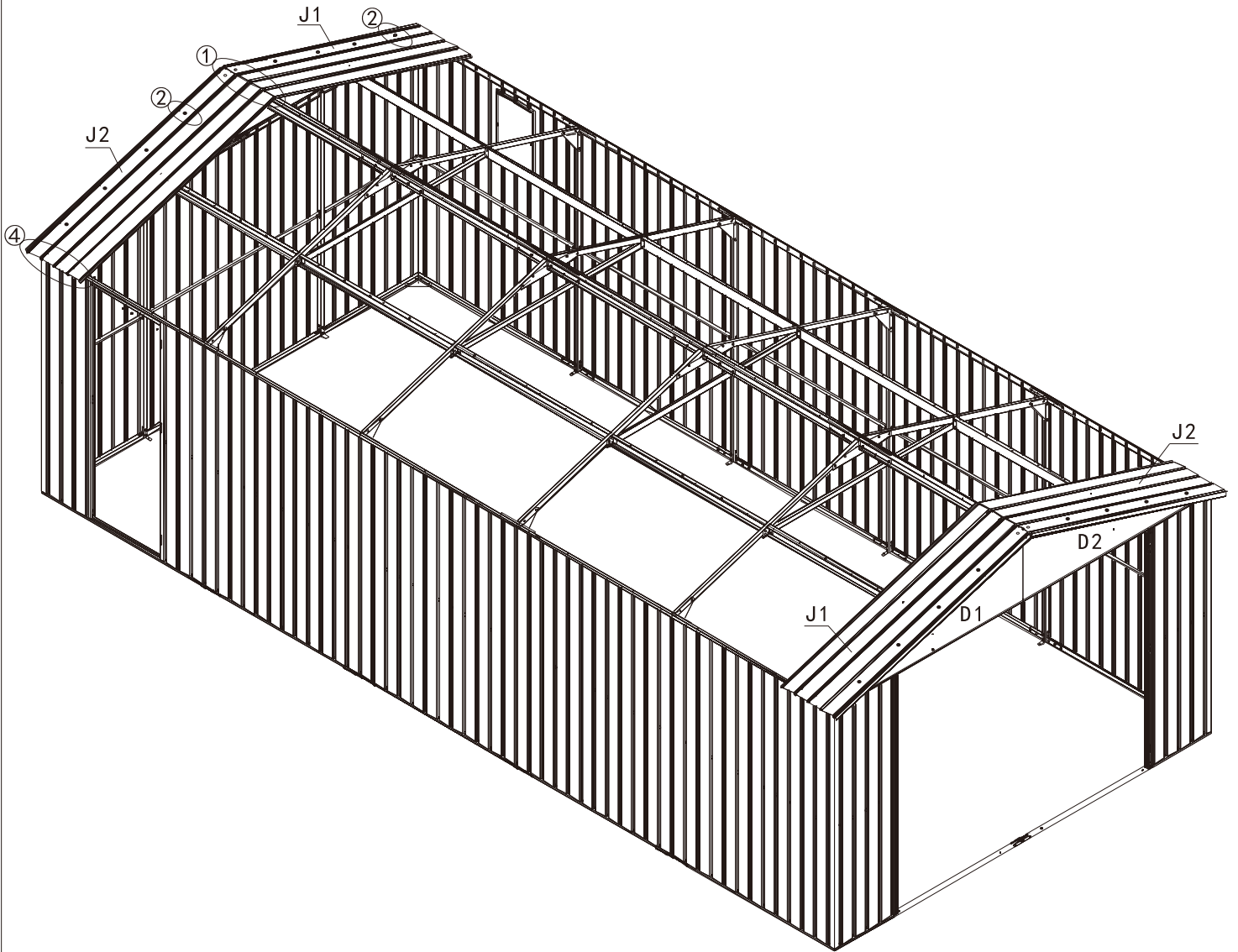
Centre Beam

Side Beam





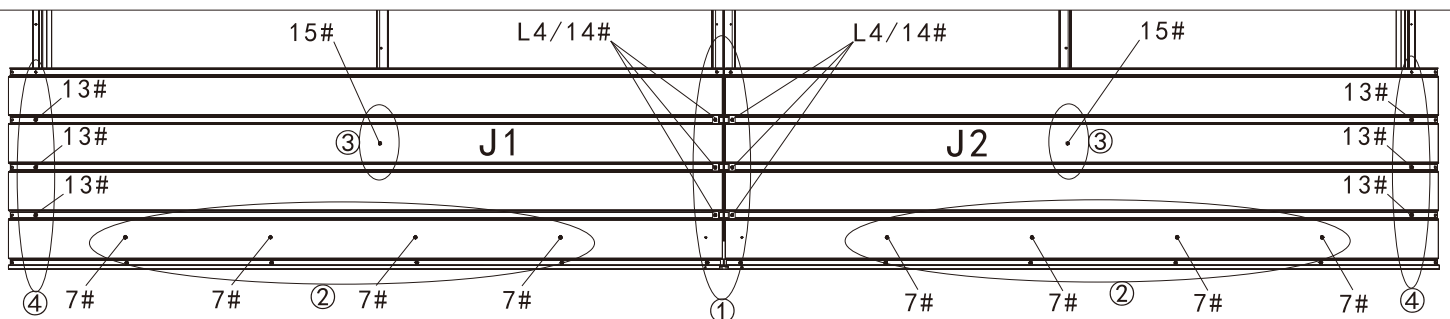
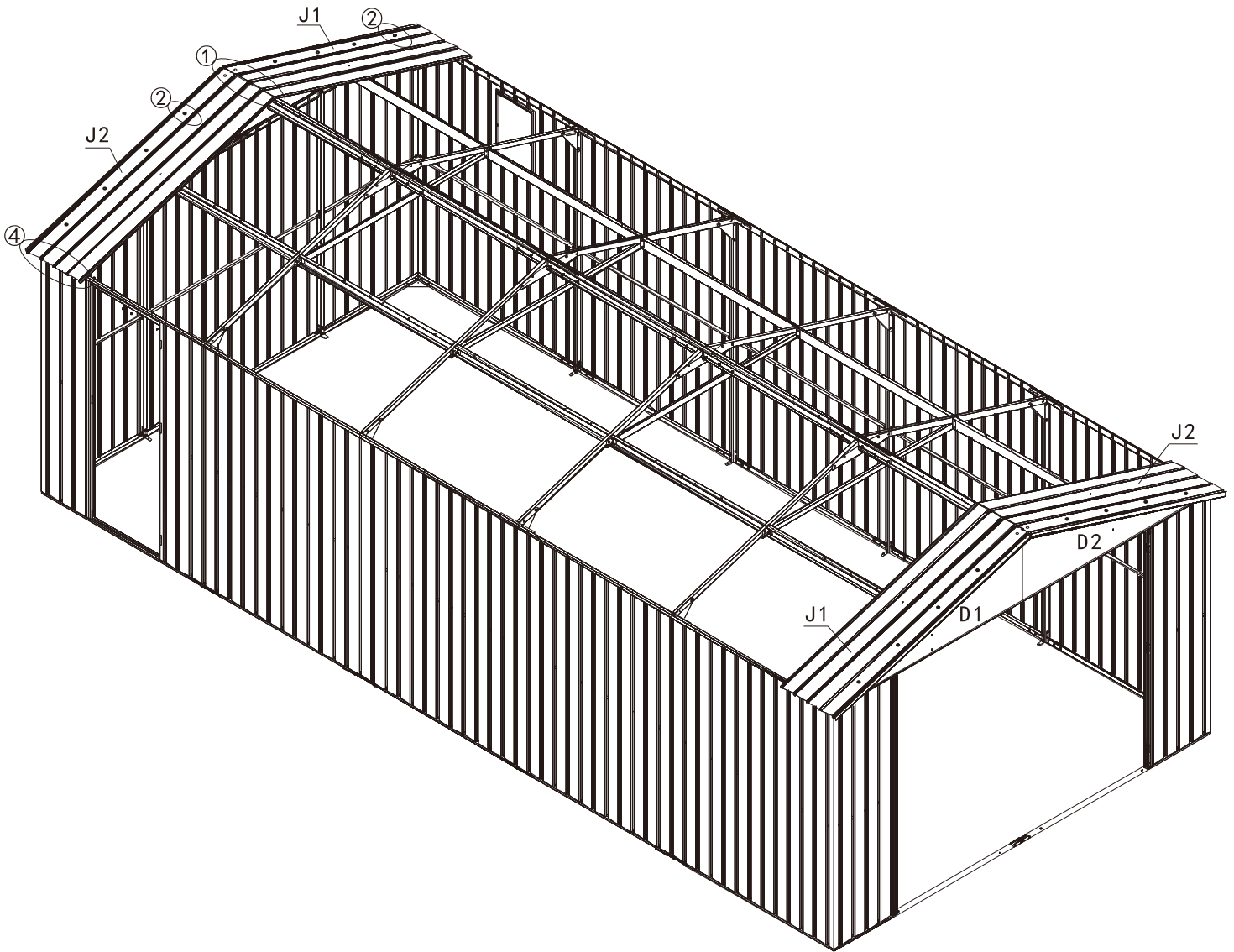
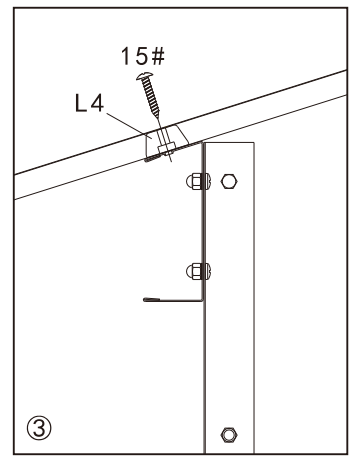
②: The roof panel J1/J2 is fixed with top frame D1/D2 by using 8 bolts #7, gaskets and nuts. Repeat the above procedures to assemble another side.



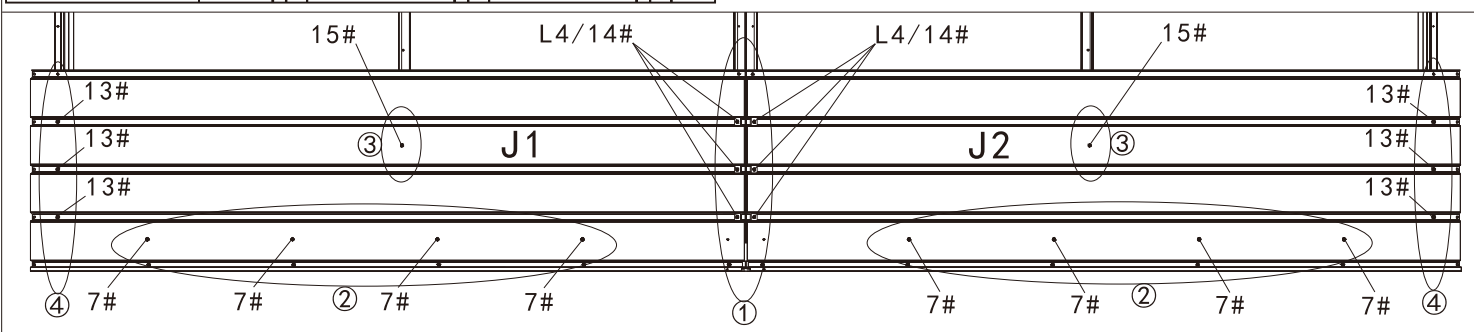
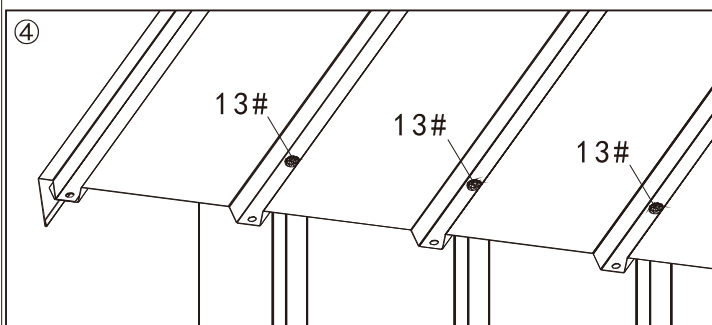
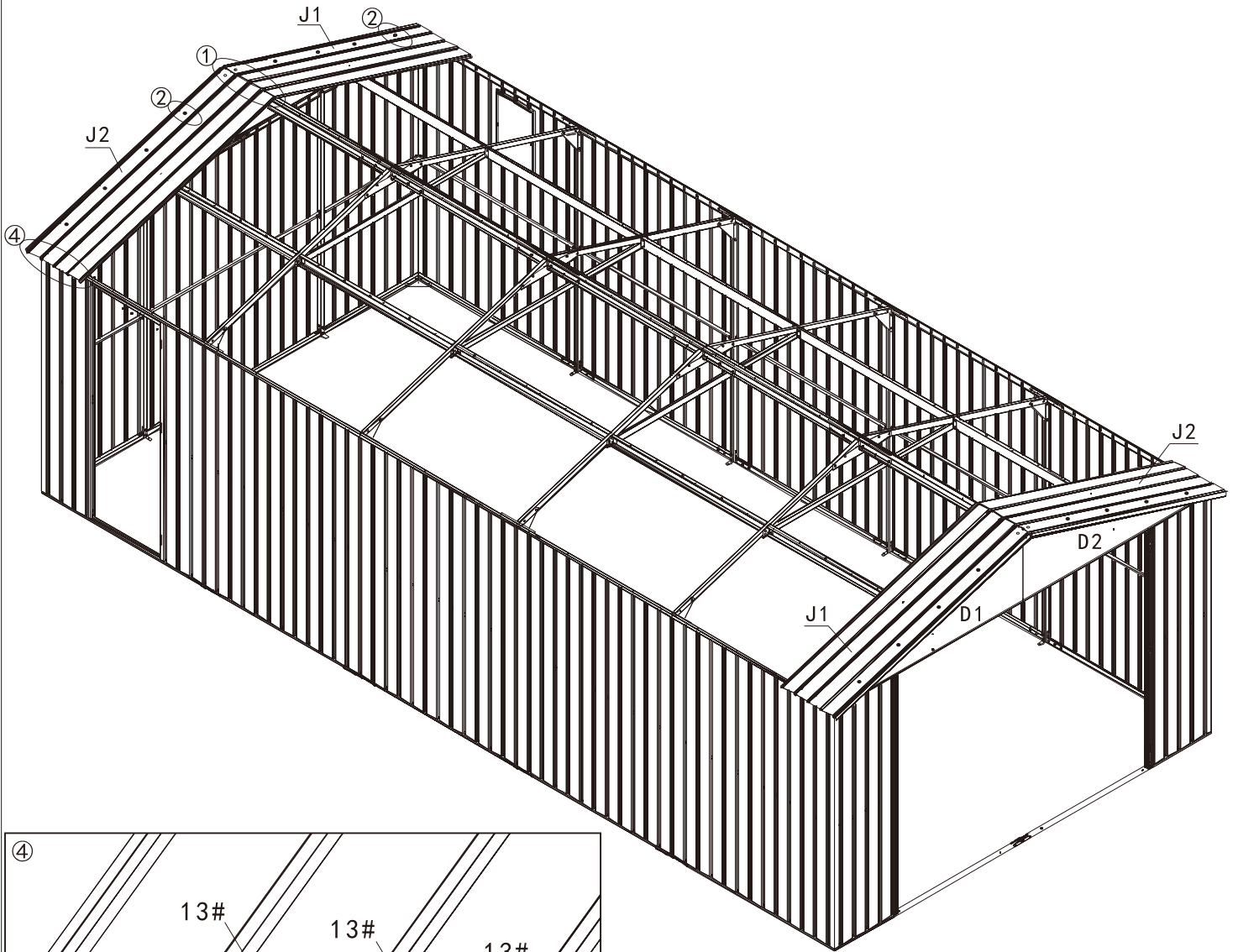
③: Black rubber #L4 shall be inserted at the gap between roof panels and side top beam, then fix with 2 screws #15 to prevent rainwater intrusion.

(Place the rubber under J1 and J2, with the large end facing down).

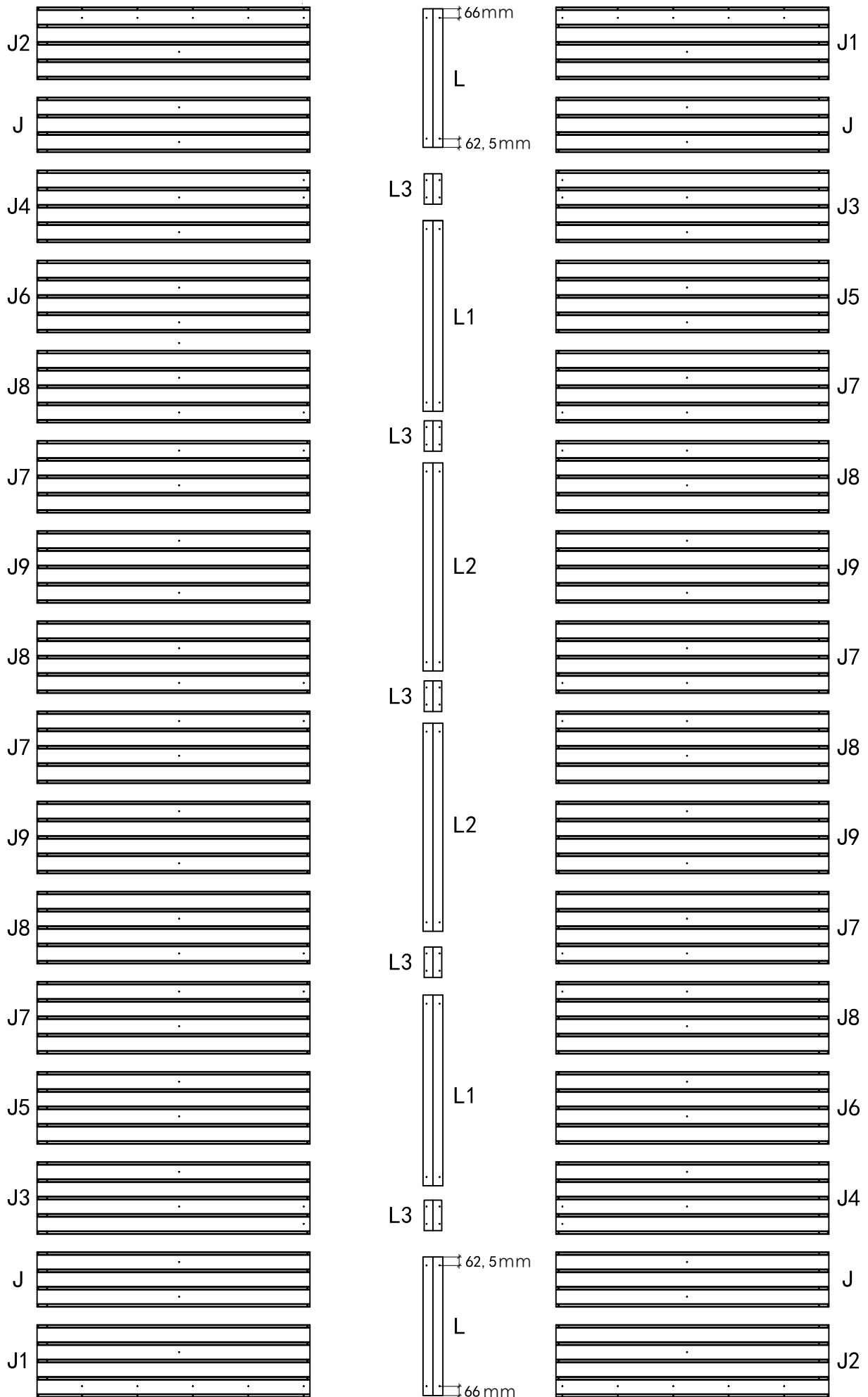
Repeat the above procedures to assemble another side.

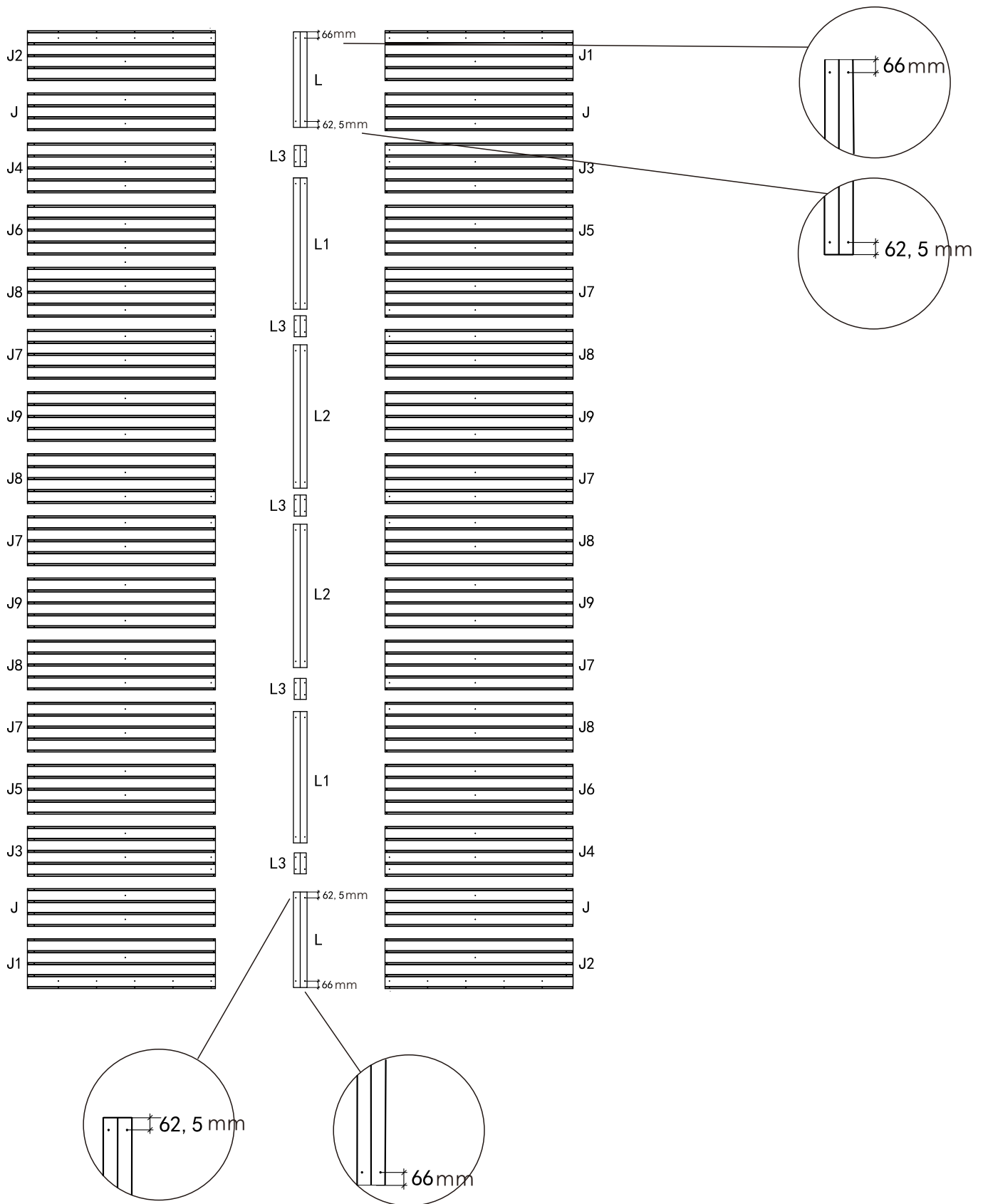


④: The roof panel is fixed to the side top frame by using 6 screws #13.

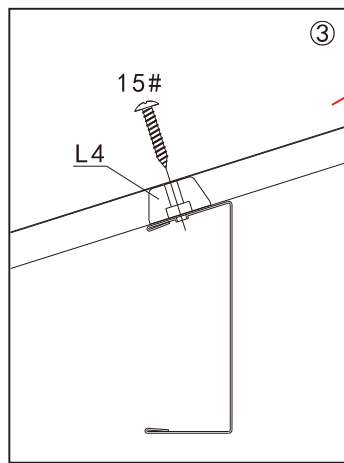
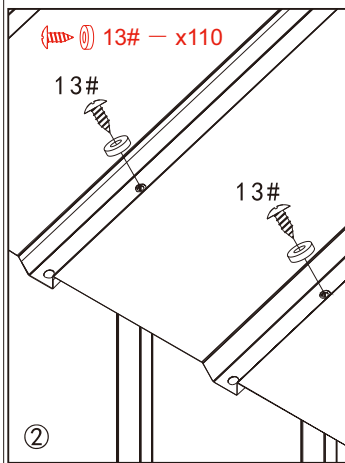
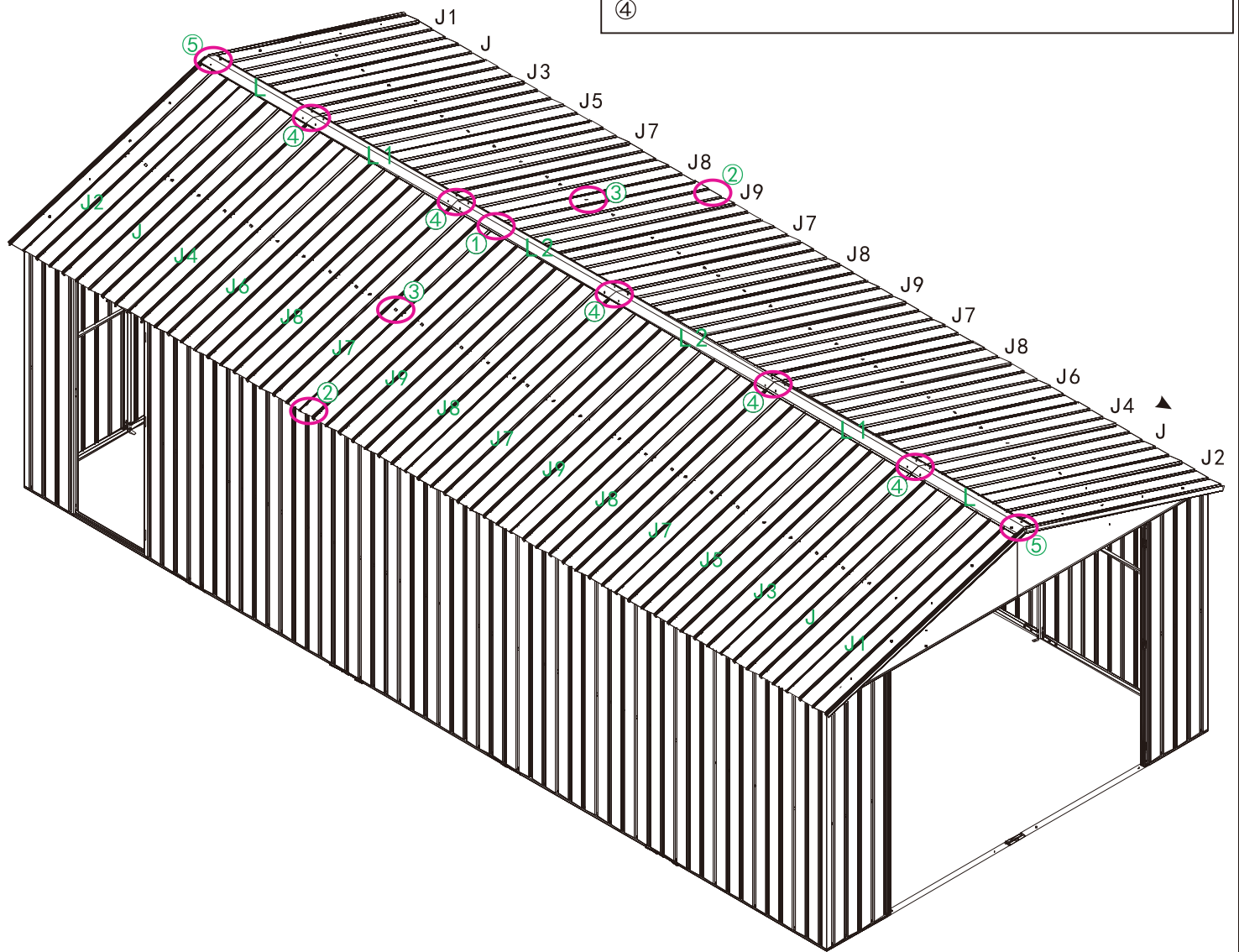
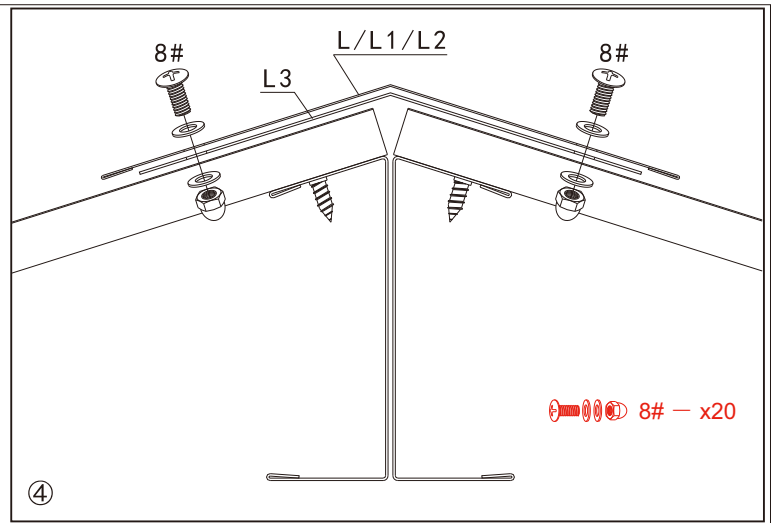
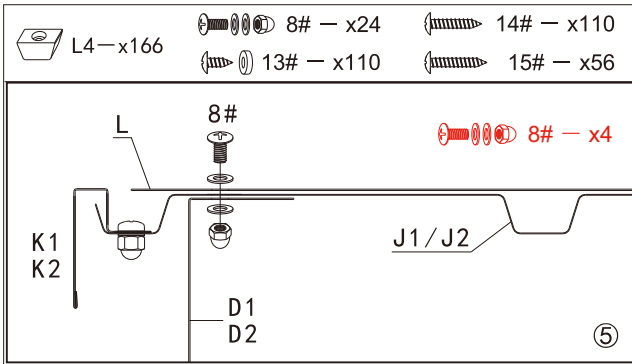


# Diagram of the installation location of the roof panels.



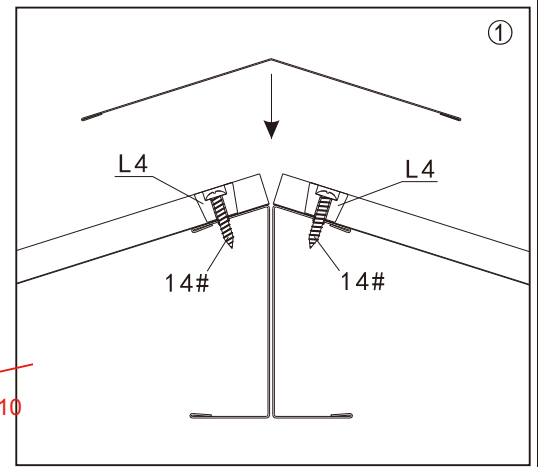


Please stand inside the shed frame when installing the panels for convenience.  
 Install the roof panels while covering with #L/L1/L2/L3 as you can.  
 Pay attention to the installation direction of #L.



L4-x56  
 15# - x56

L4-x110  
 14# - x110



①: Use 110 screws #14 to secure 110 black rubber #L4 and roof panels to the centre beam. (Make sure the large end of black rubber facing upwards).

②: The roof panels are fixed to the side top frame by using 110 screws #13.

③: Black rubbers #L4 shall be inserted at the gap between roof panels and side top beam, then fix with 56 screws #15 to prevent rainwater intrusion.



(Place the rubber under the roof panels, with the large end facing down).

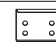

④: Use 20 bolts #8, gaskets and nuts to fix part #L/L1/L2/L3 to the roof top. (part #L/#L1/L2 should cover on part#L3).

Pay attention to the installation direction of #L.

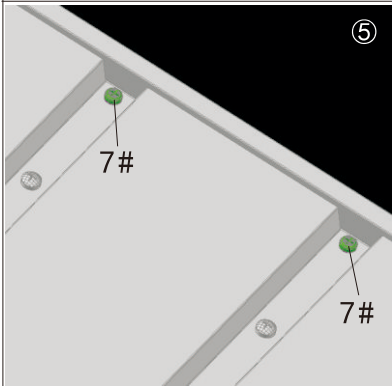
⑤: Use 4 bolts #8, gaskets and nuts to fix part #L with roof panel #J1/J2 and part #D1/D2.

 K3-x2  
 K4-x2  
 K5-x6

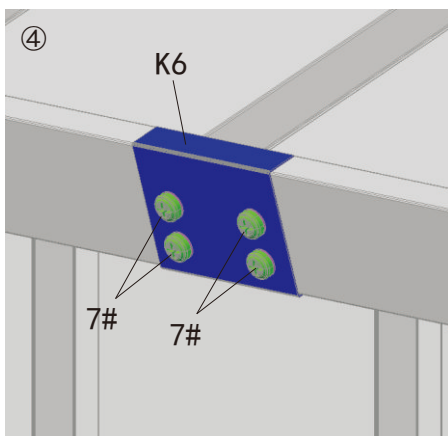
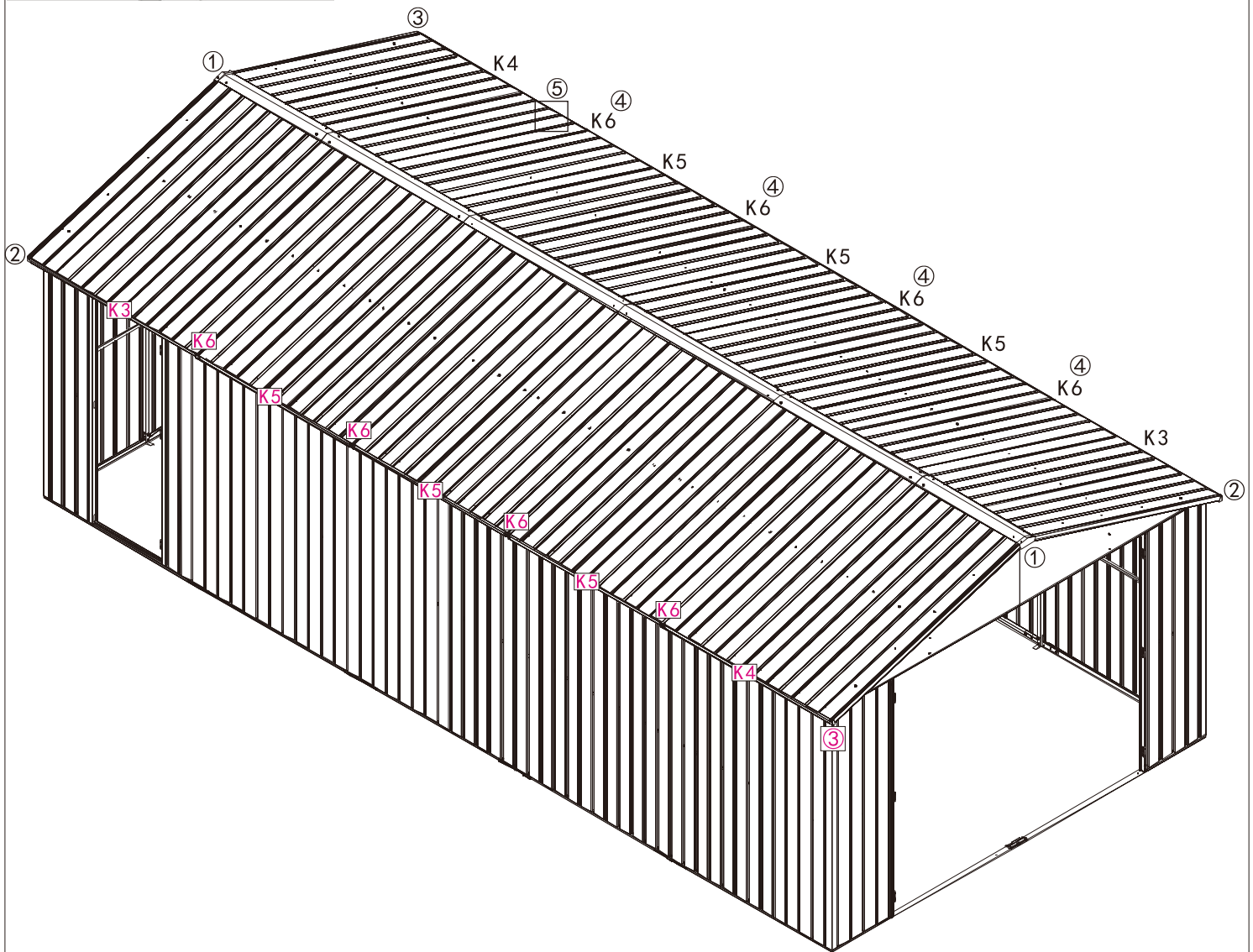
 K-x2  
 K7-x2

 K6-x8  
 K8-x2

 7# - x154  
 8# - x8  
 17# - x4



⑤: Use 61 bolts #7, gaskets and nuts to fix part #K3,K4 & K5 on the cornice of roof panel.  
 Repeat the above producers to assemble the another side.

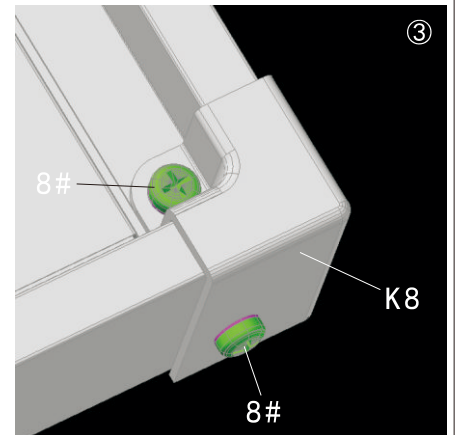
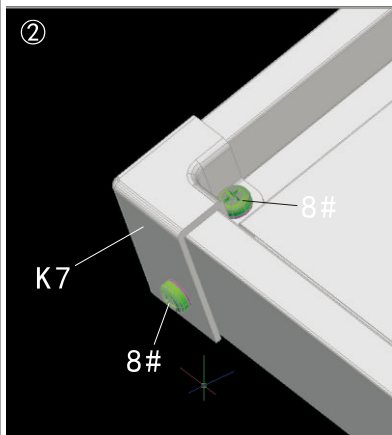
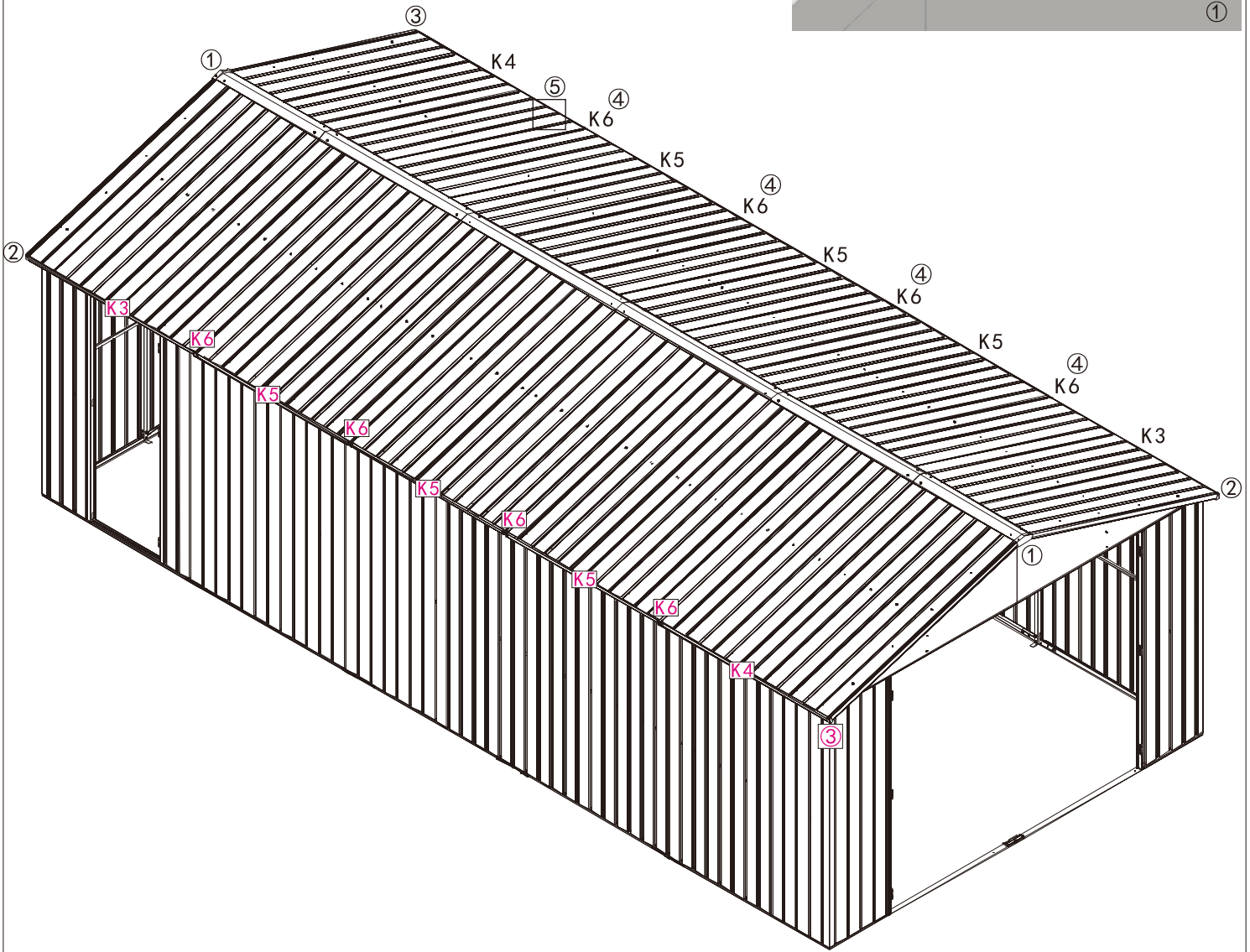
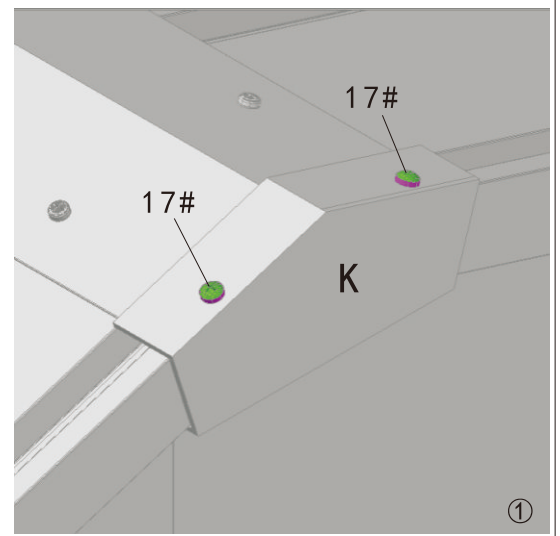


④: Use 4 bolts bolts #7, gaskets and nuts to cover part #K6 on the connection of Finishing bar #K3,K4,K5.  
 Repeat the above producers to assemble the other 7 sides.

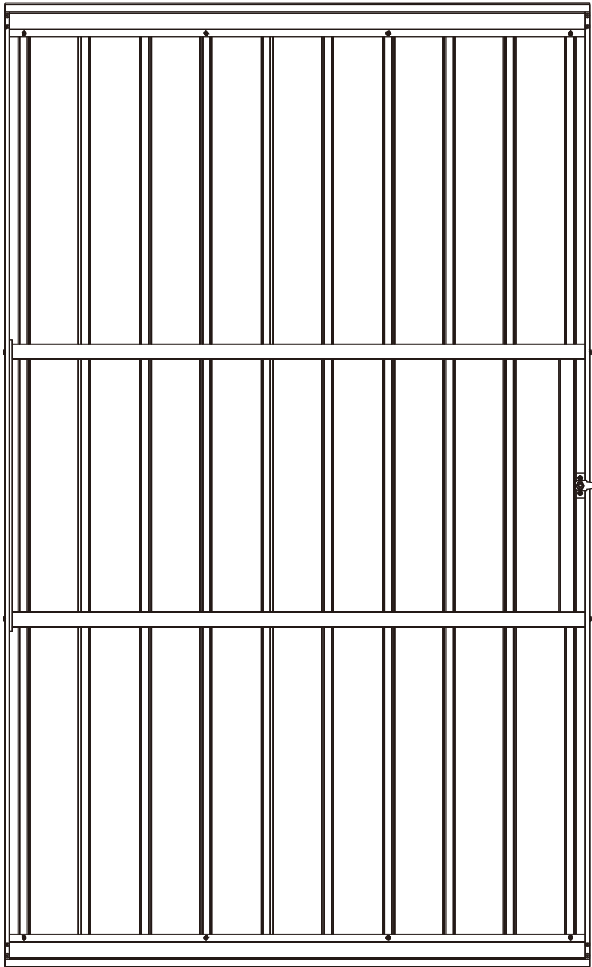
②/③: Install part #K7/K8 to 4 corners of the roof, fix with 2 bolts #8, gaskets And nuts.

Repeat the above producers to assemble the other 3 corners.

①: Use 2 screws #17 to install part #K as shown.



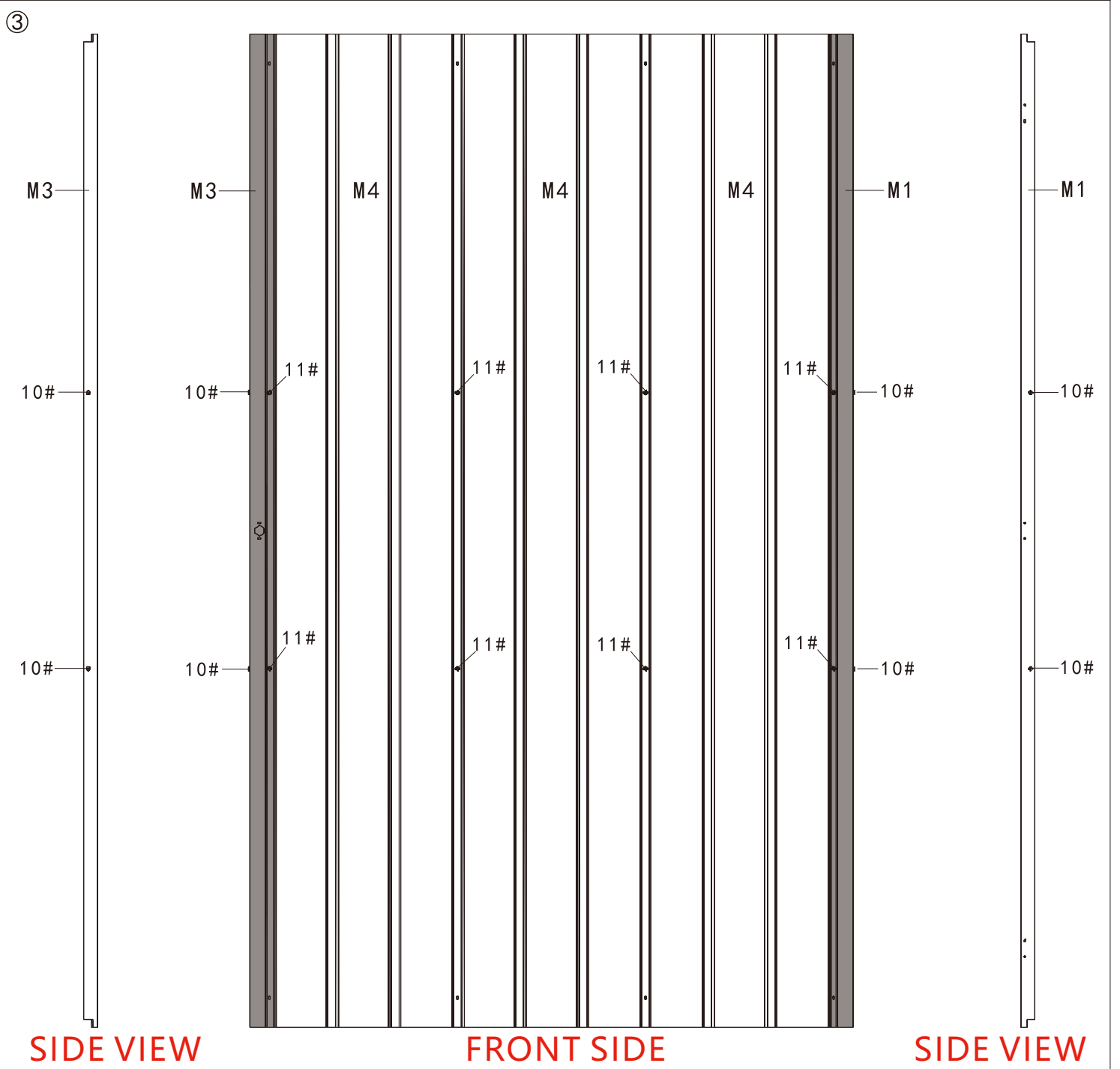
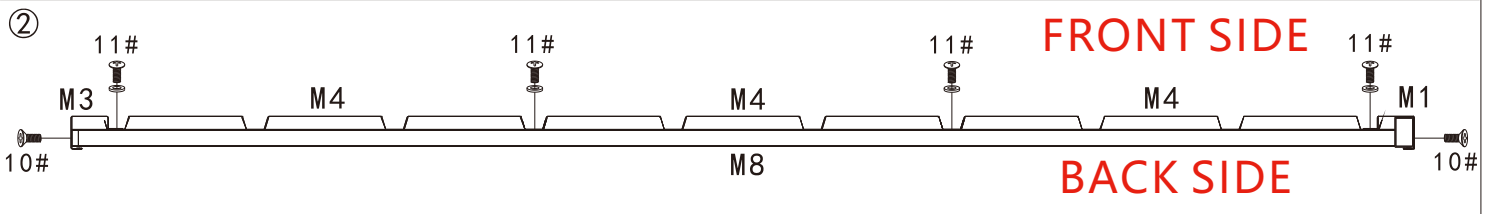
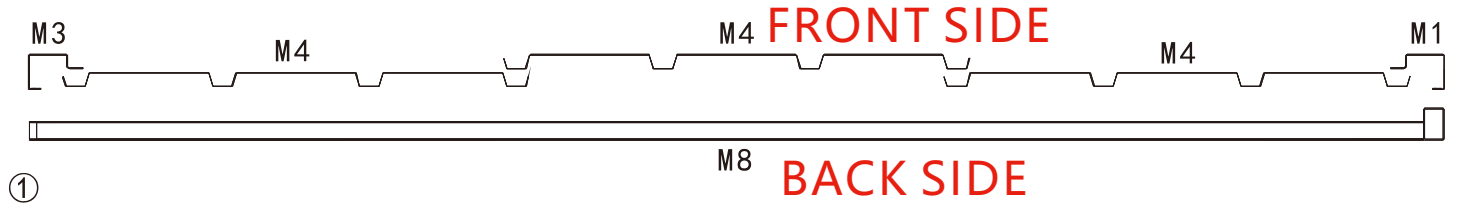
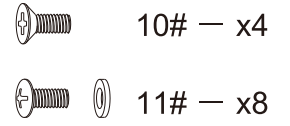
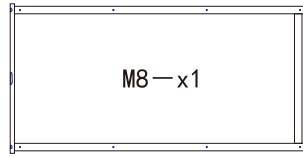
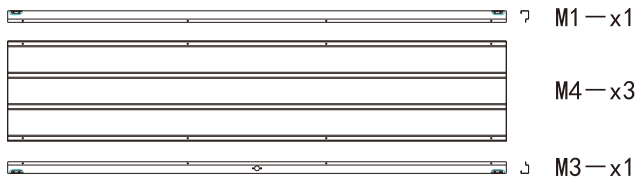
# Front Door Assembly (Right Side)

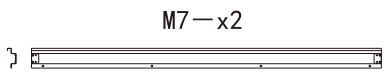


**BACK SIDE**



**FRONT SIDE**





M7-x2



R1-x1



10# - x8

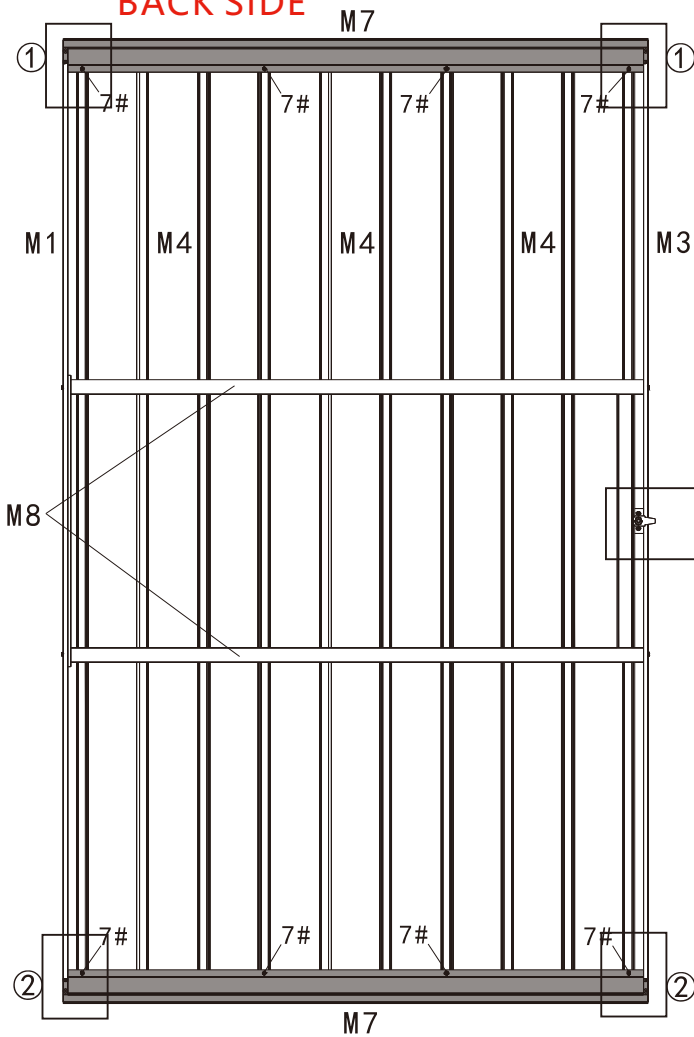
7# - x8



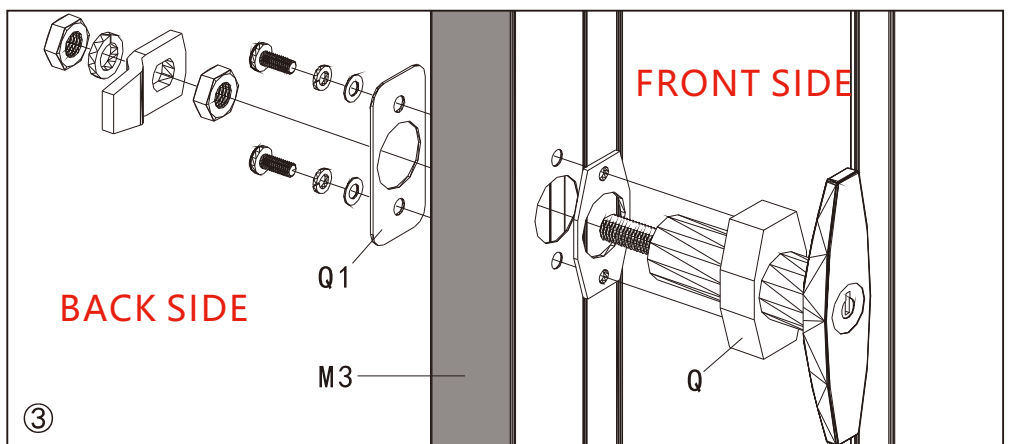
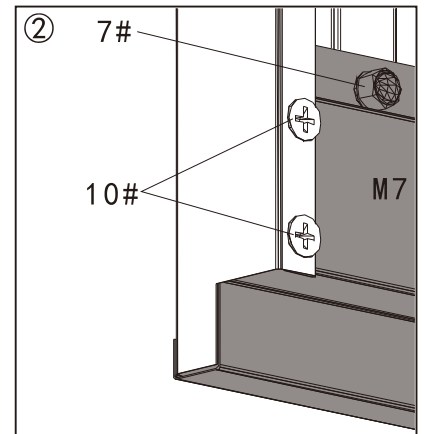
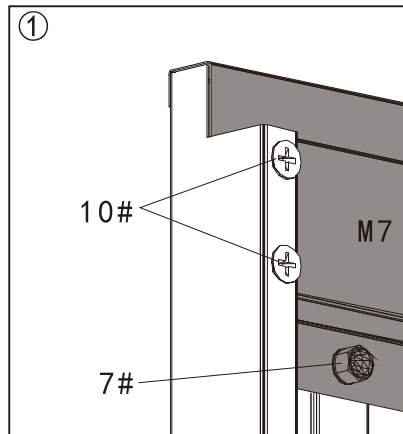
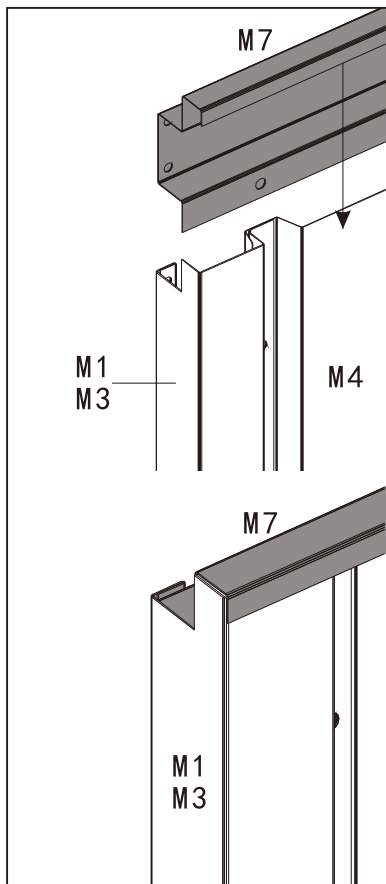
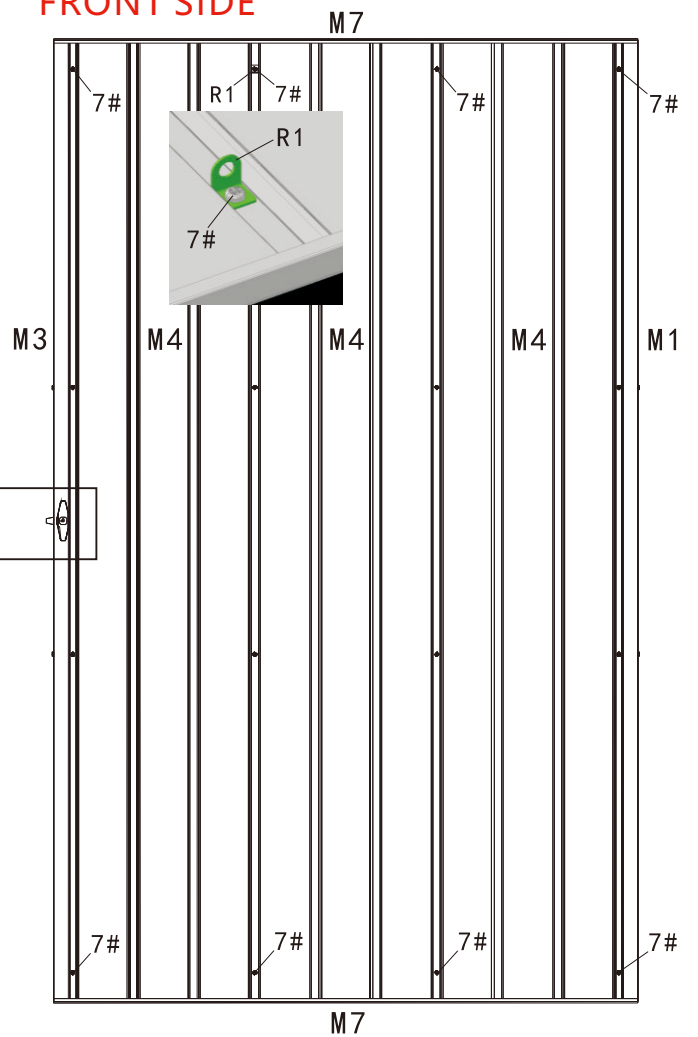
Q-x1

Q1-x1

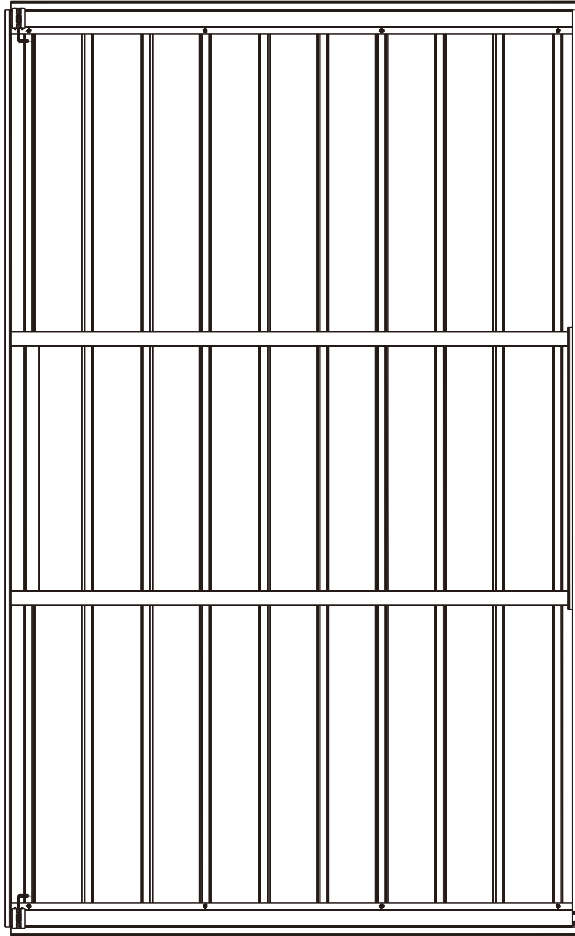
### BACK SIDE



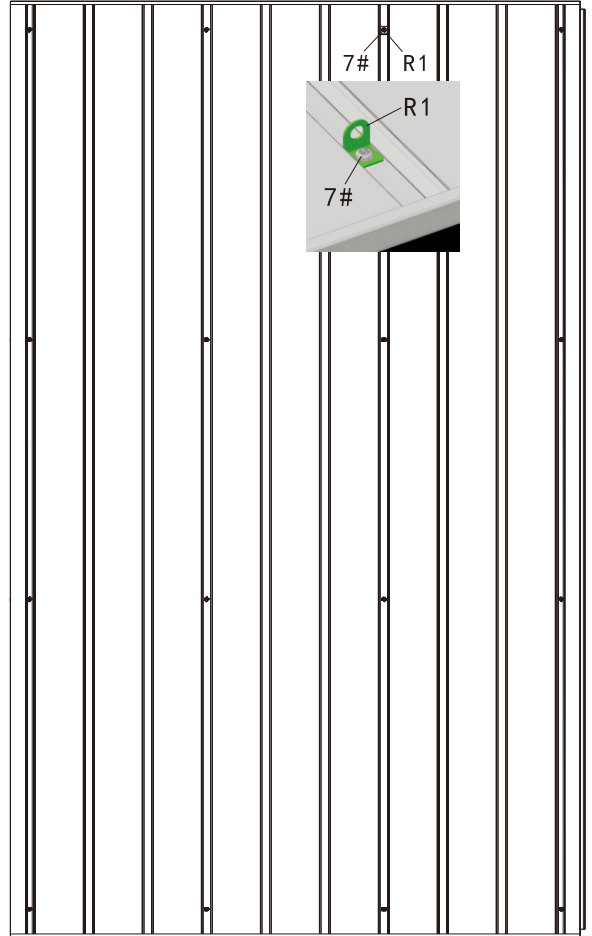
### FRONT SIDE



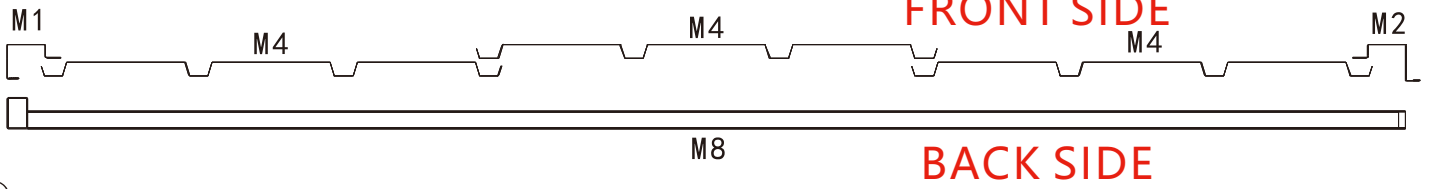
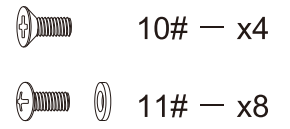
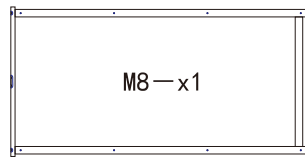
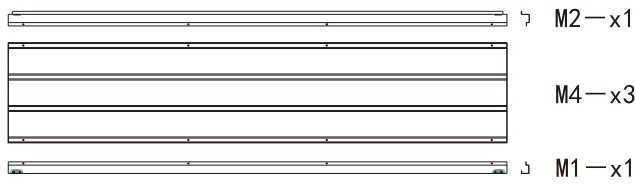
# Front Door Assembly (Left Side)



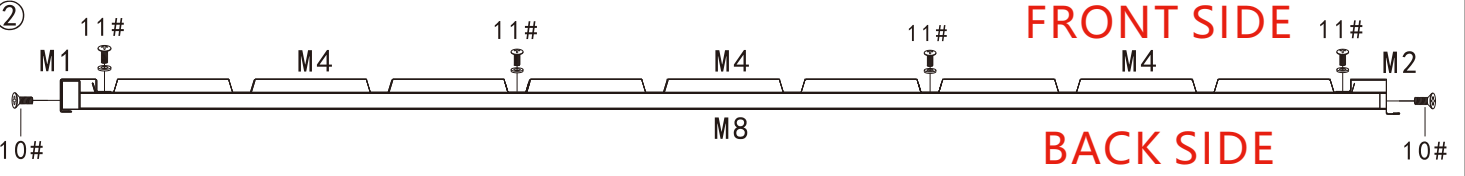
BACK SIDE



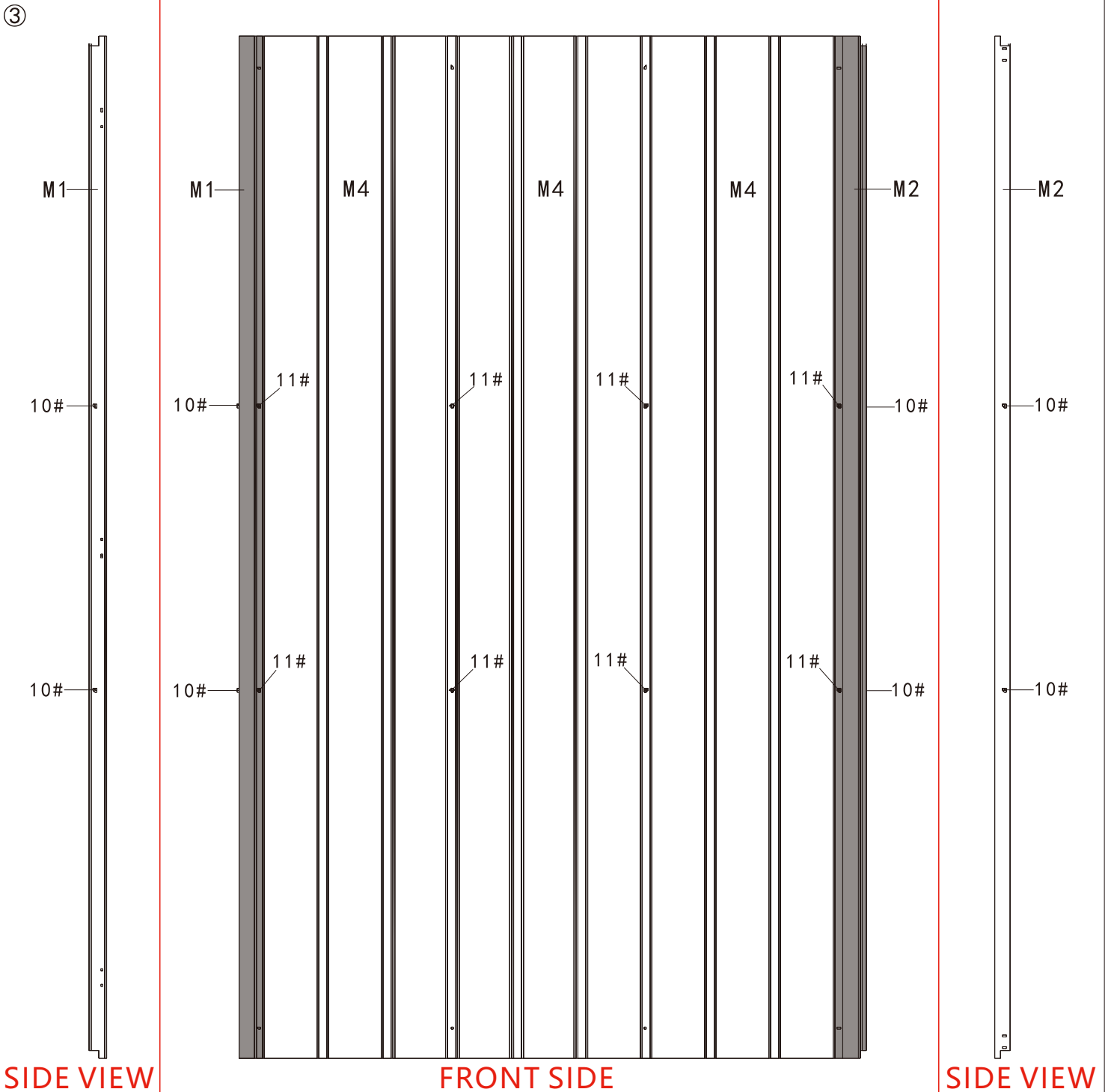
FRONT SIDE



①



②



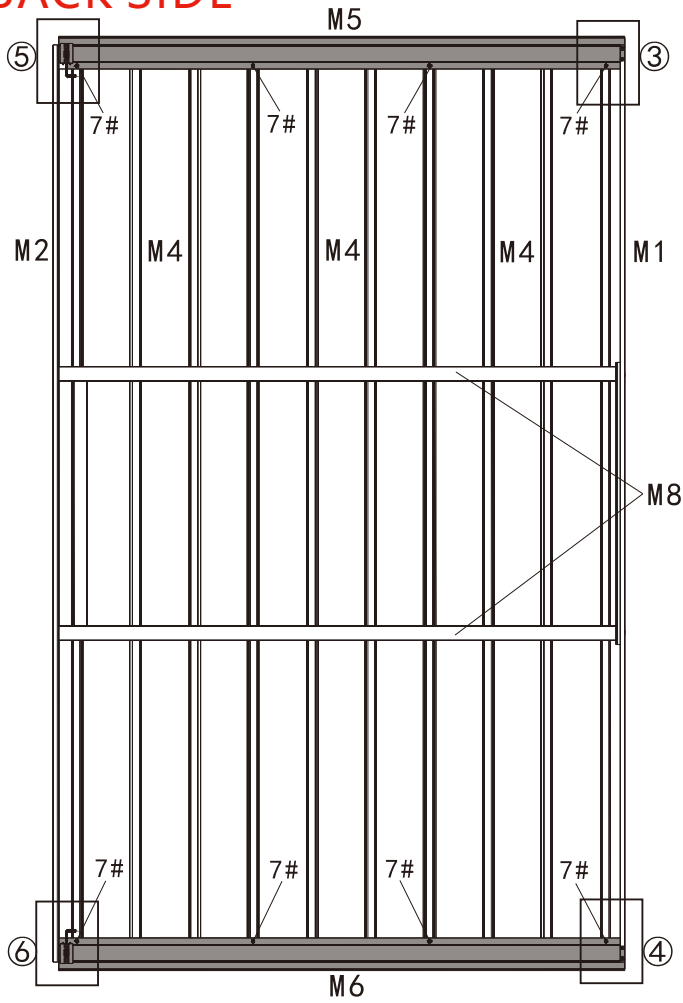
③

M5-x1  
M6-x1

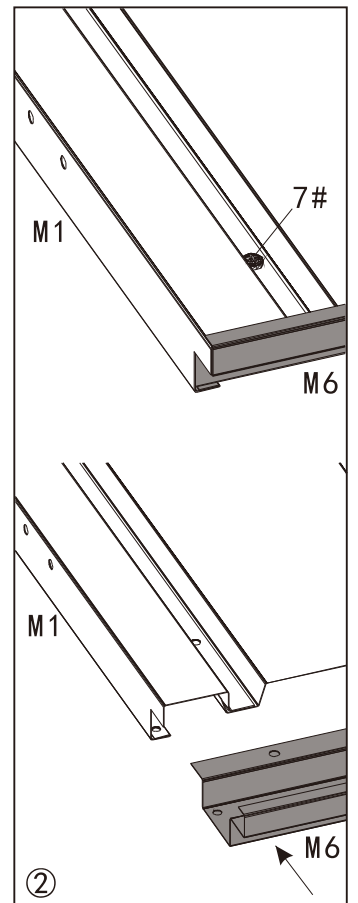
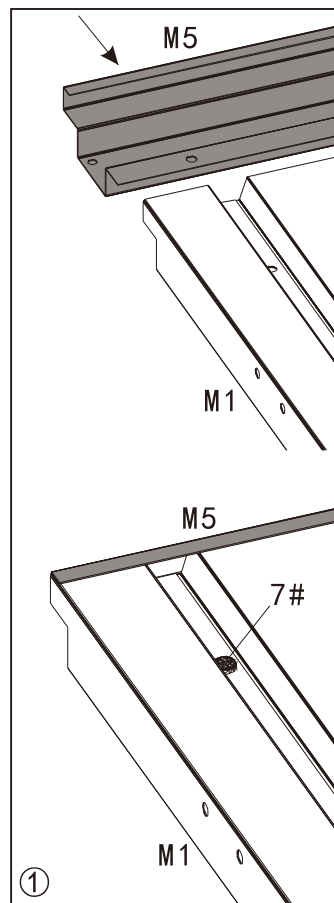
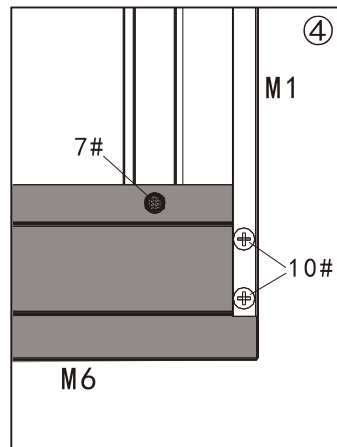
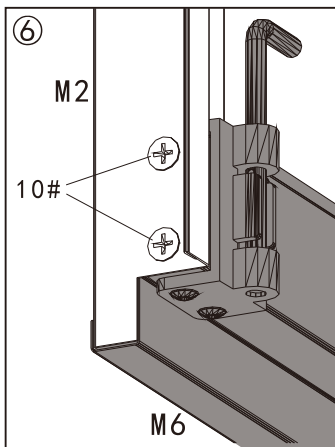
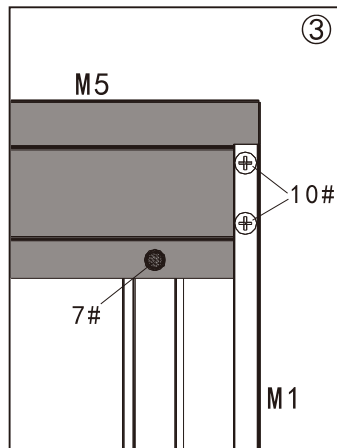
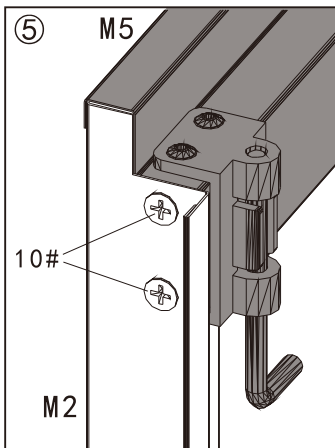
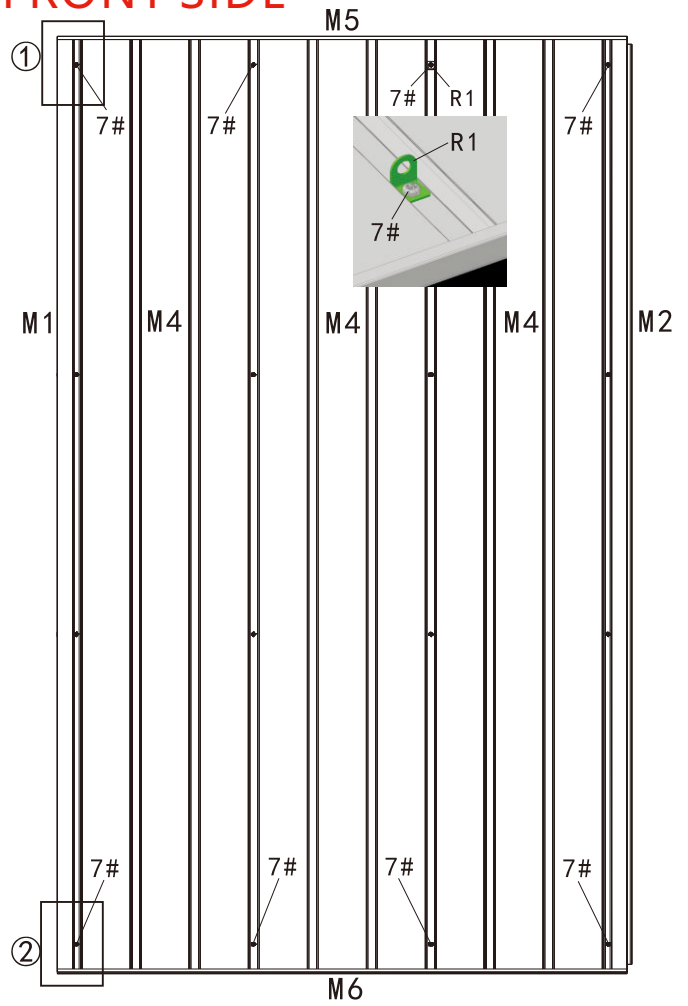
R1-x1

10#-x8  
7#-x8

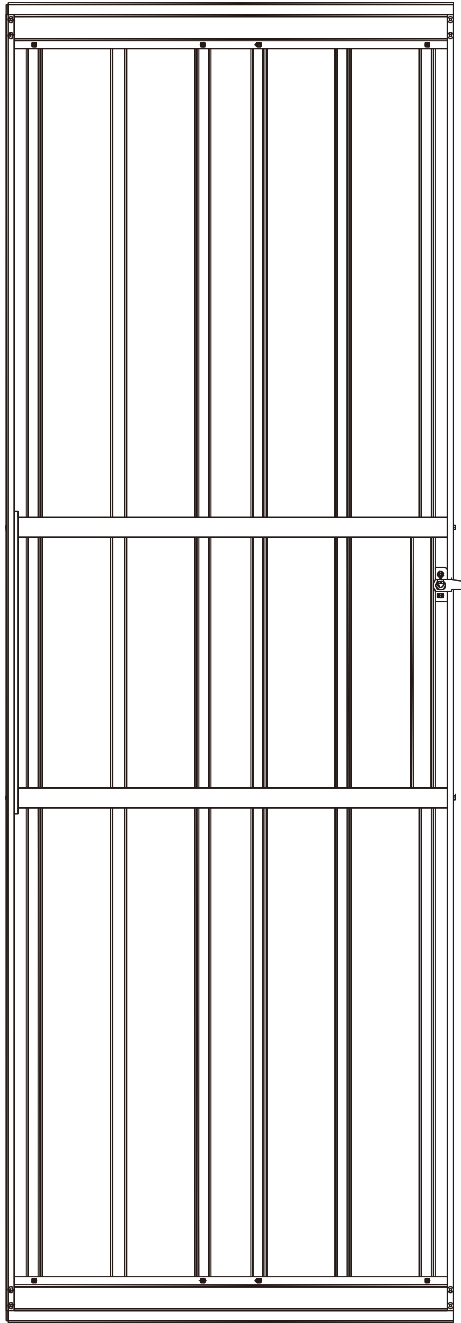
## BACK SIDE



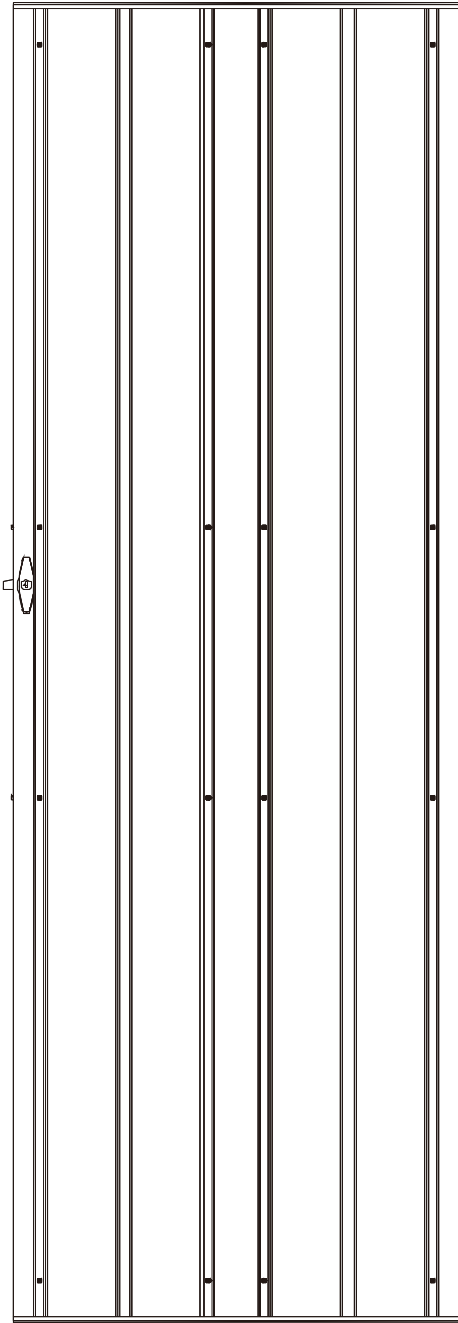
## FRONT SIDE



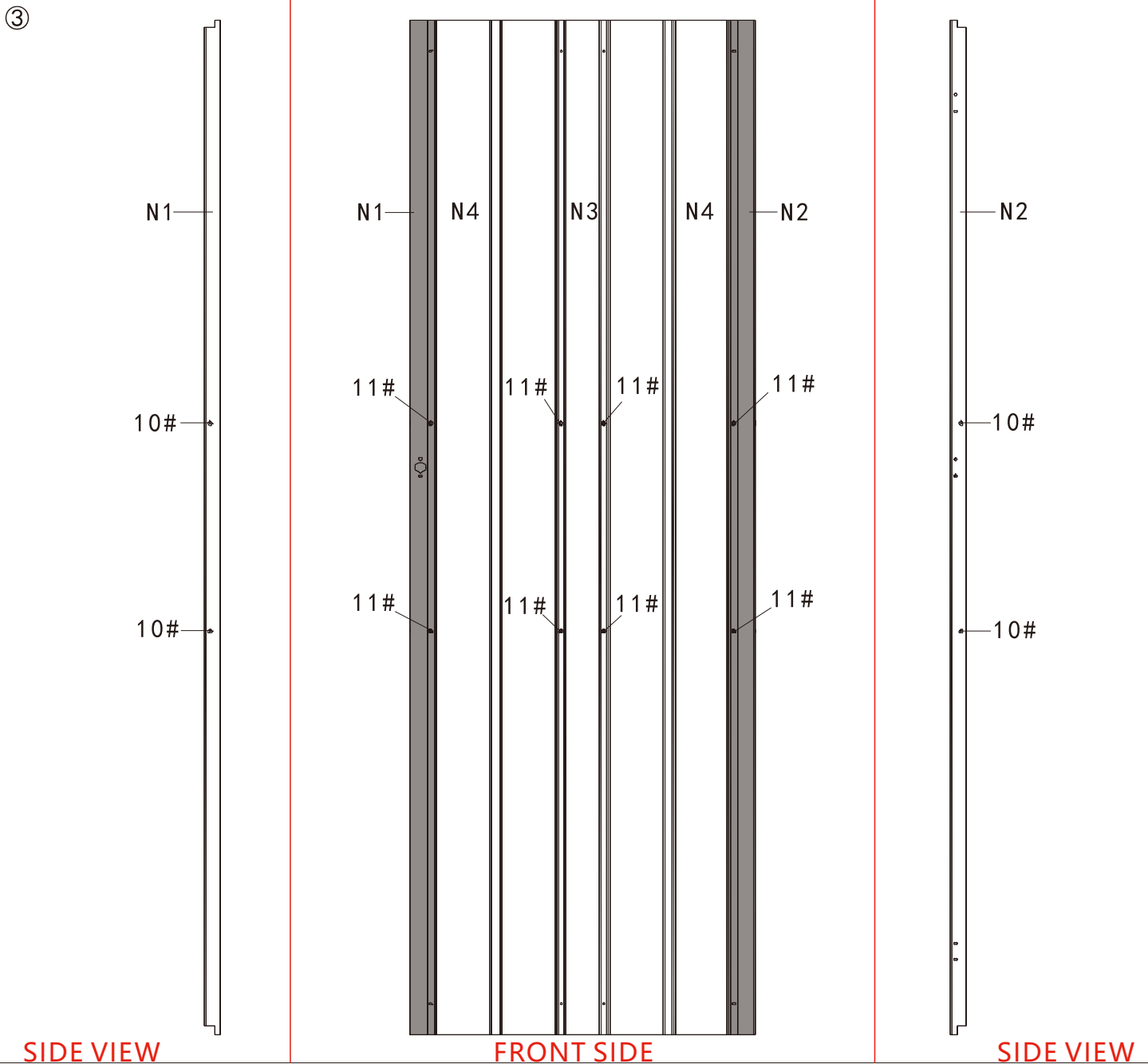
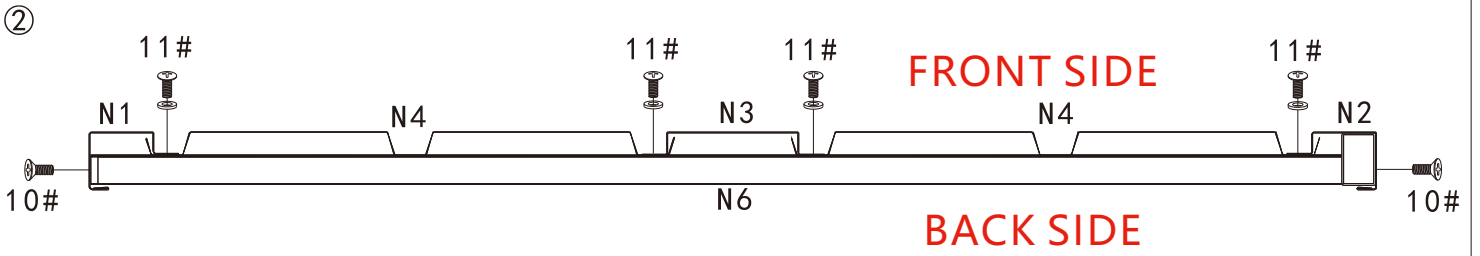
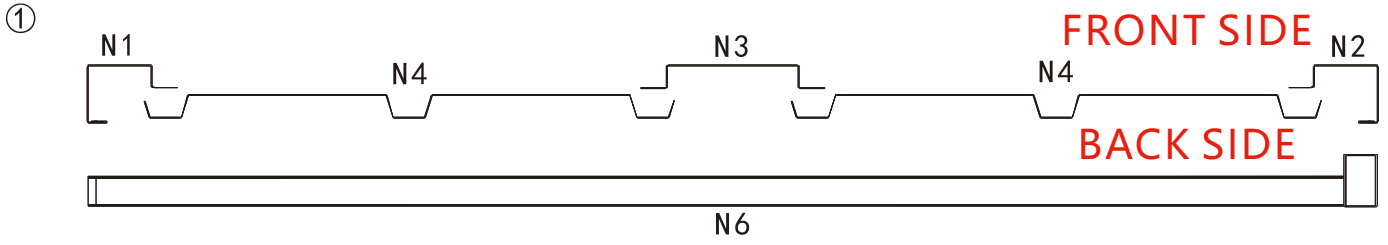
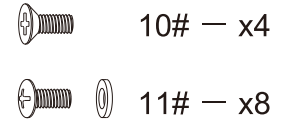
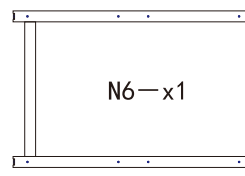
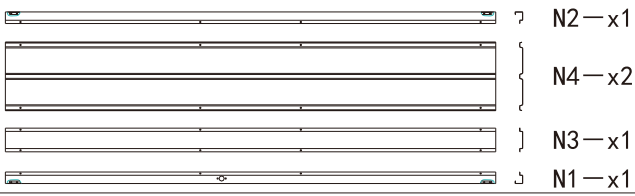
# Side Door Assembly



**BACK SIDE**



**FRONT SIDE**





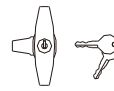
N5-x2



10# - x8



7# - x8



Q-x1



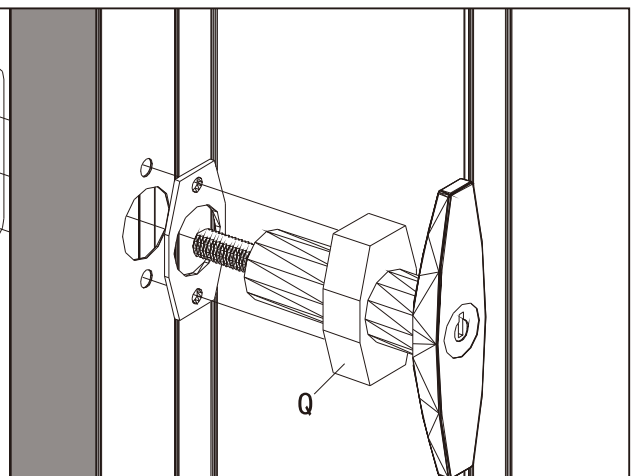
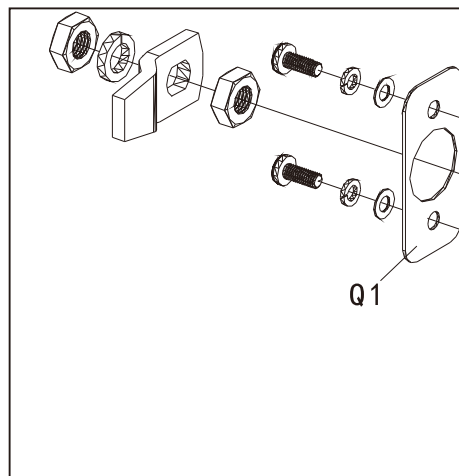
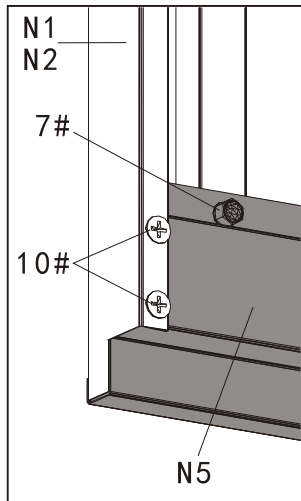
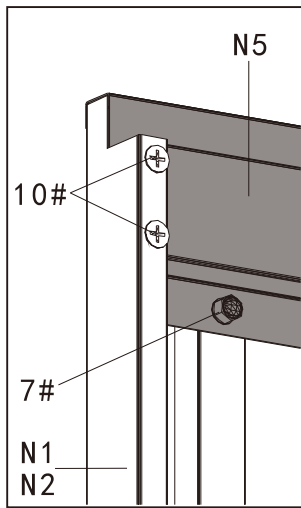
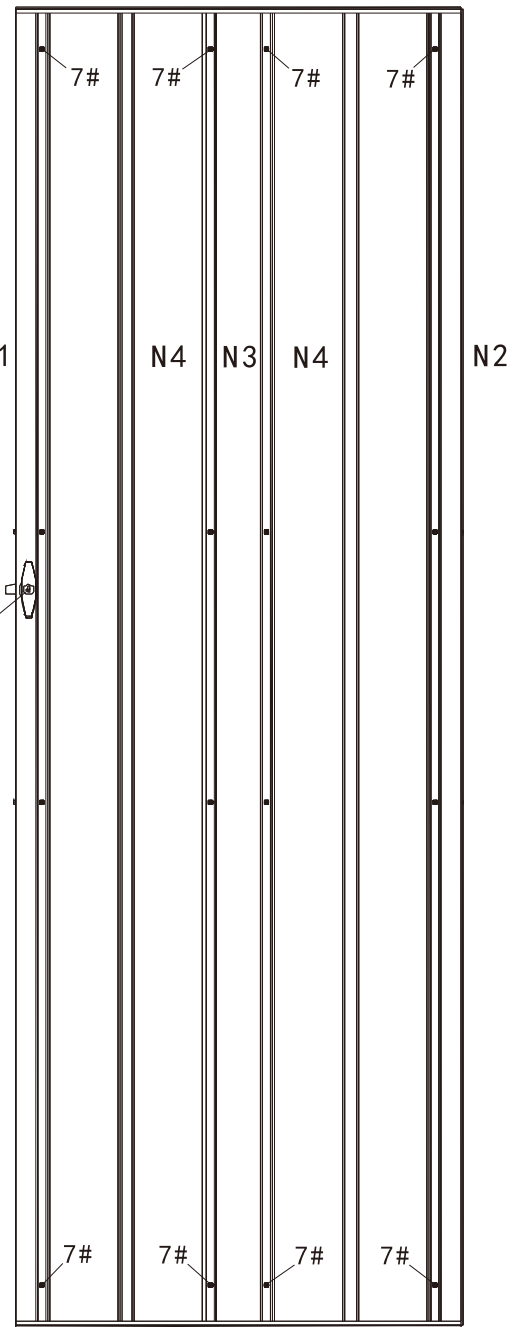
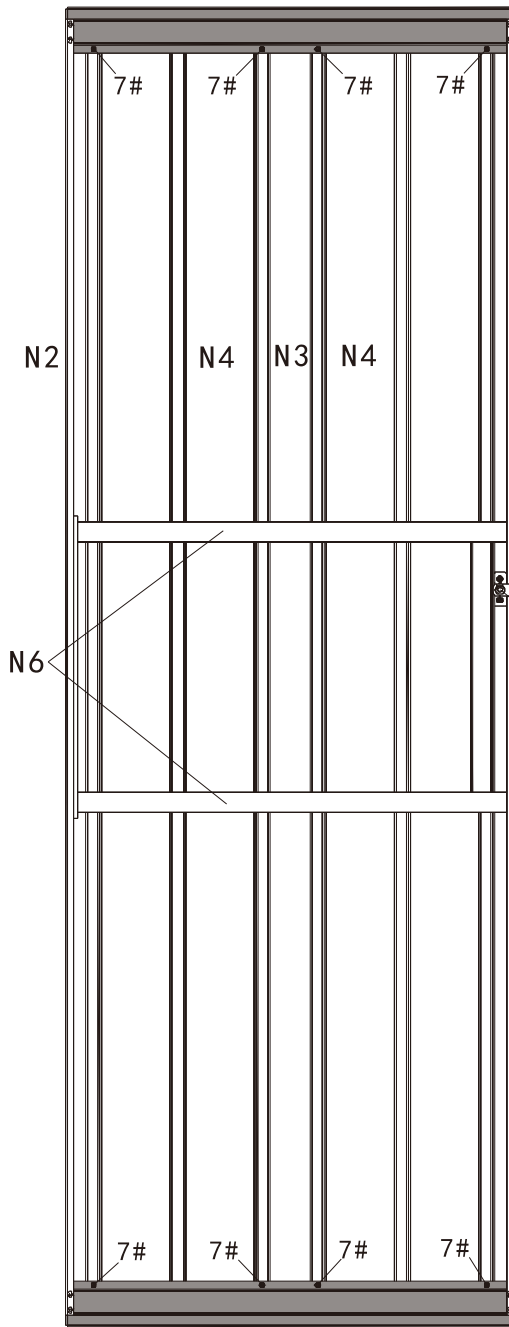
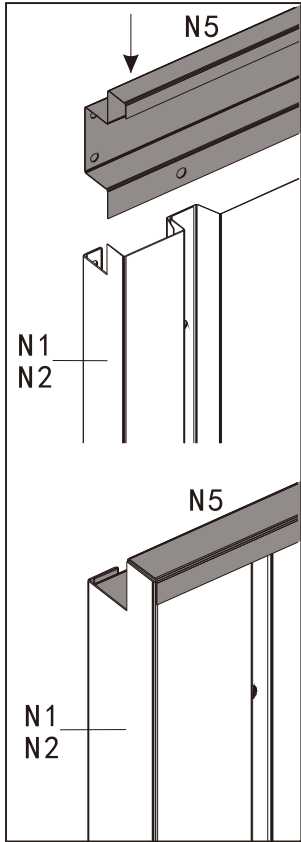
Q1-x1

### BACK SIDE

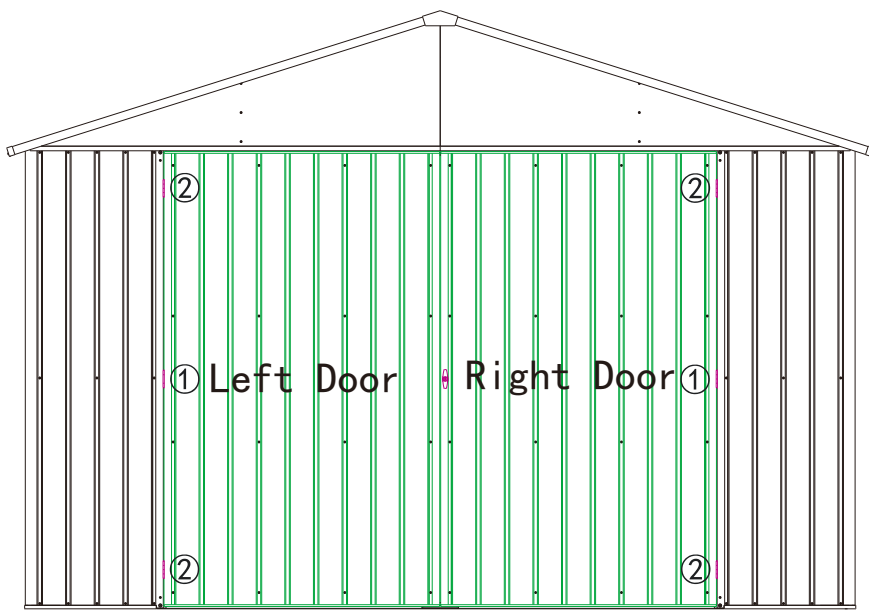
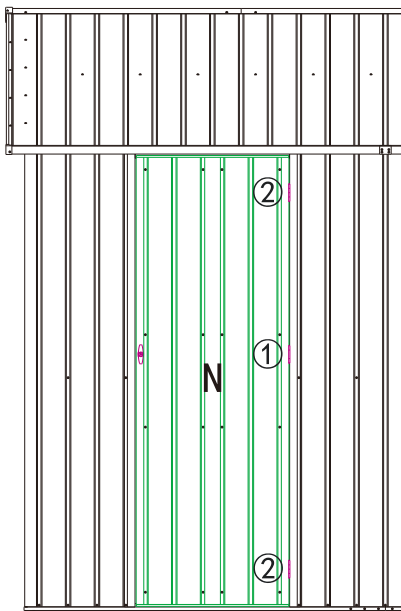
### FRONT SIDE

N5

N5



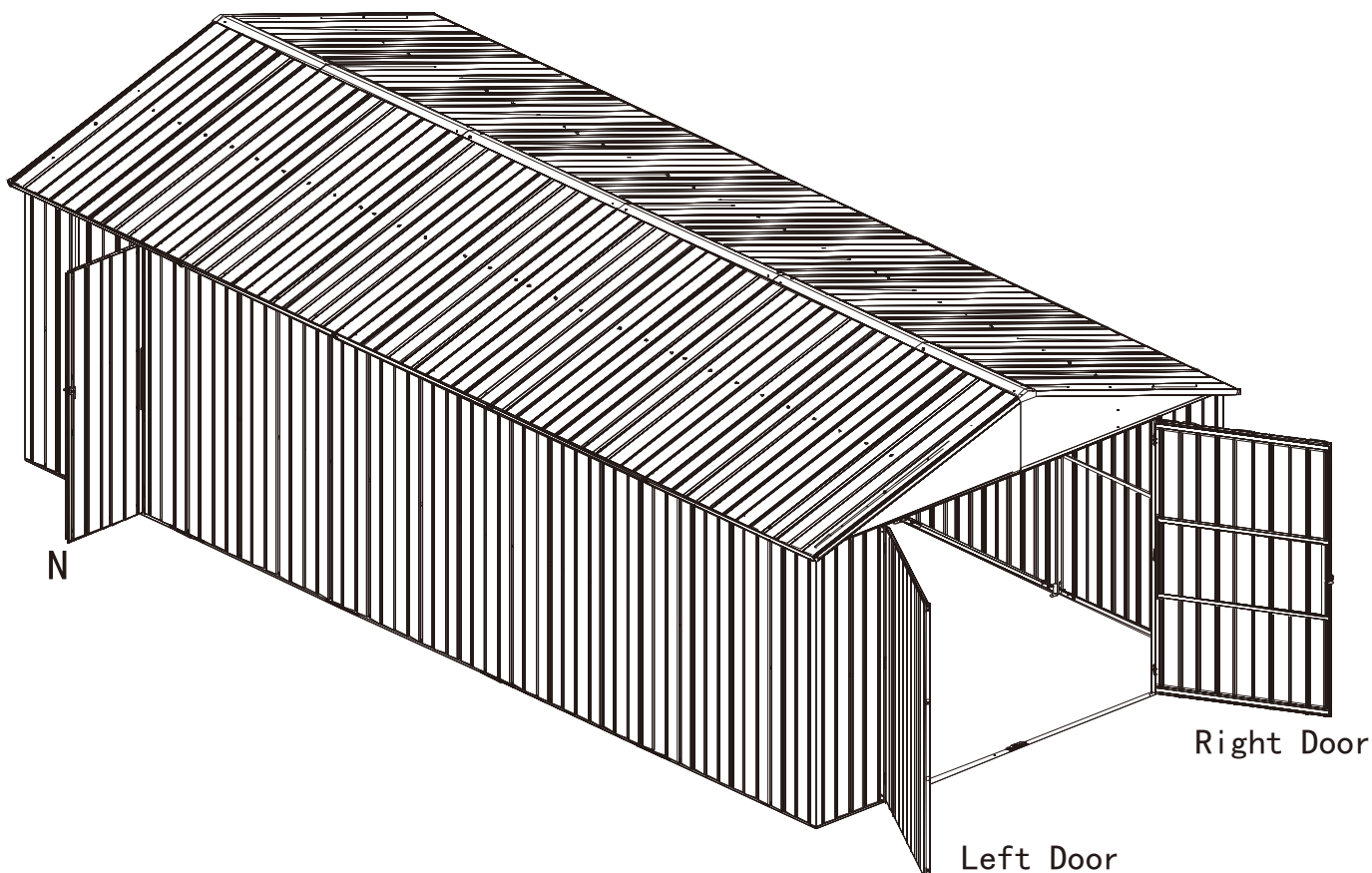
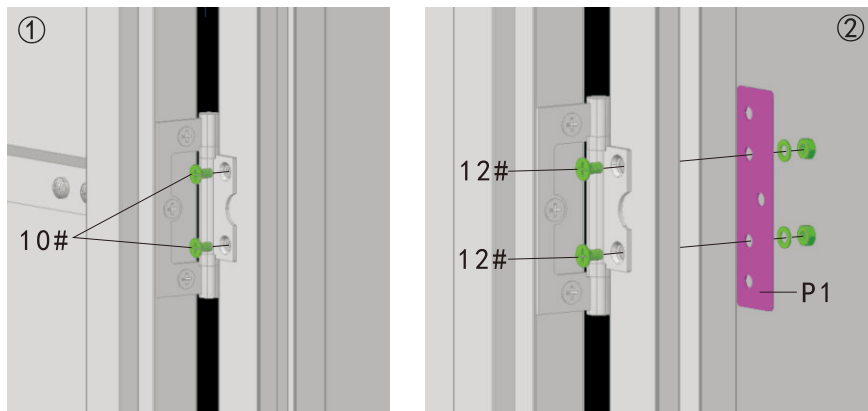
-  P1 — x6
-  10# — x6
-  12# — x12



Front Door M (There is a latch on the left door/There is a handle on the right door) & Side Door #N Assembly:

①: Use 2 Bolts #10 to secure the hinge to the door frame.

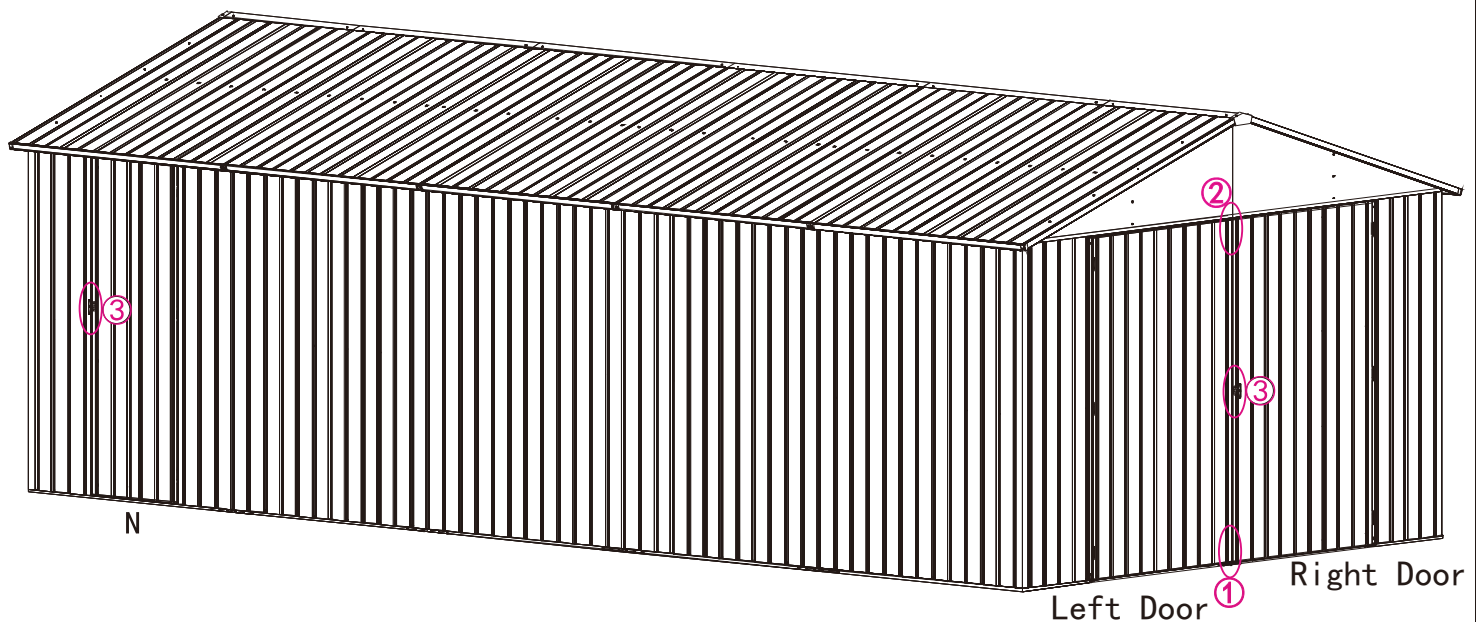
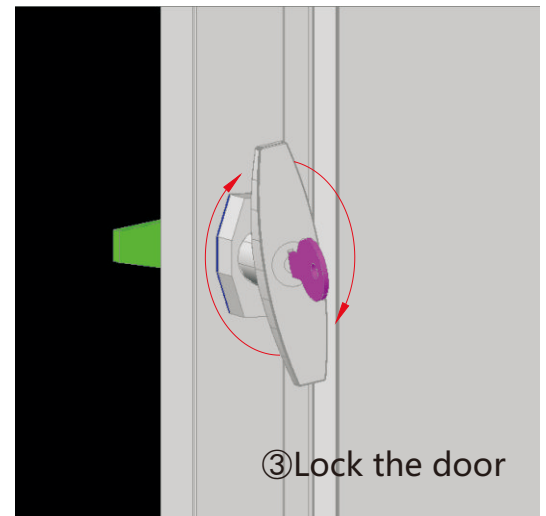
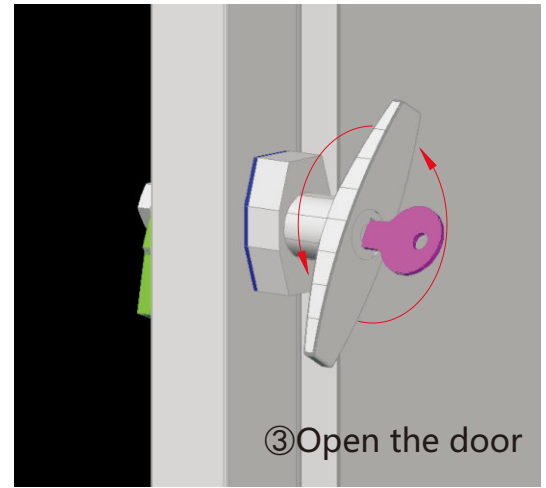
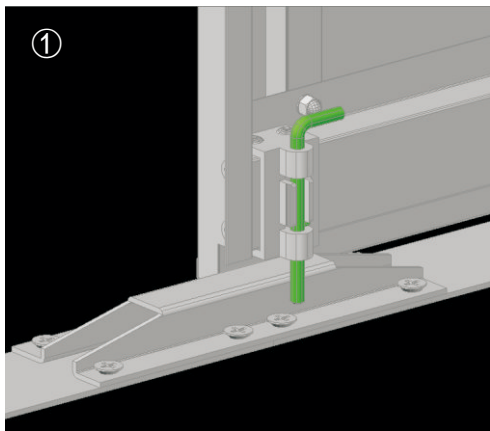
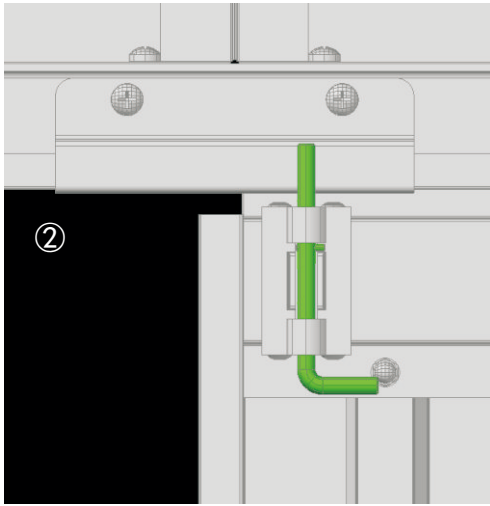
②: Use 2 Bolts #12, gaskets and nuts to secure the hinge and Lining board #P1 to the door frame.  
(Lining board #P1 is on the inside of the door frame).

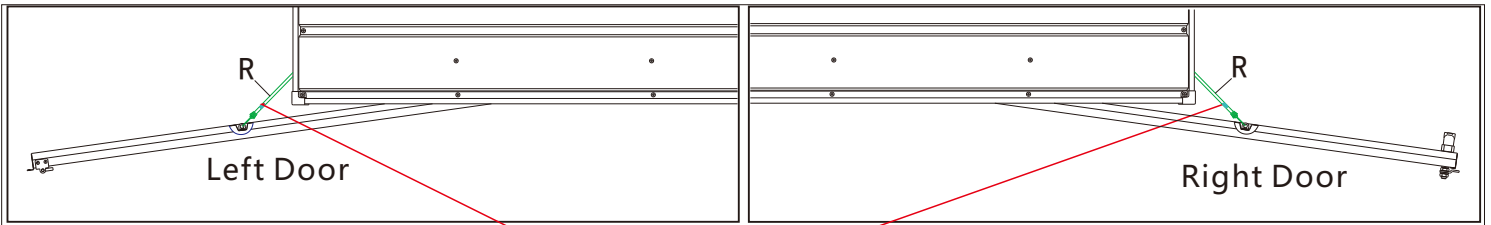


①/②: Insert the latch and lock the left door.

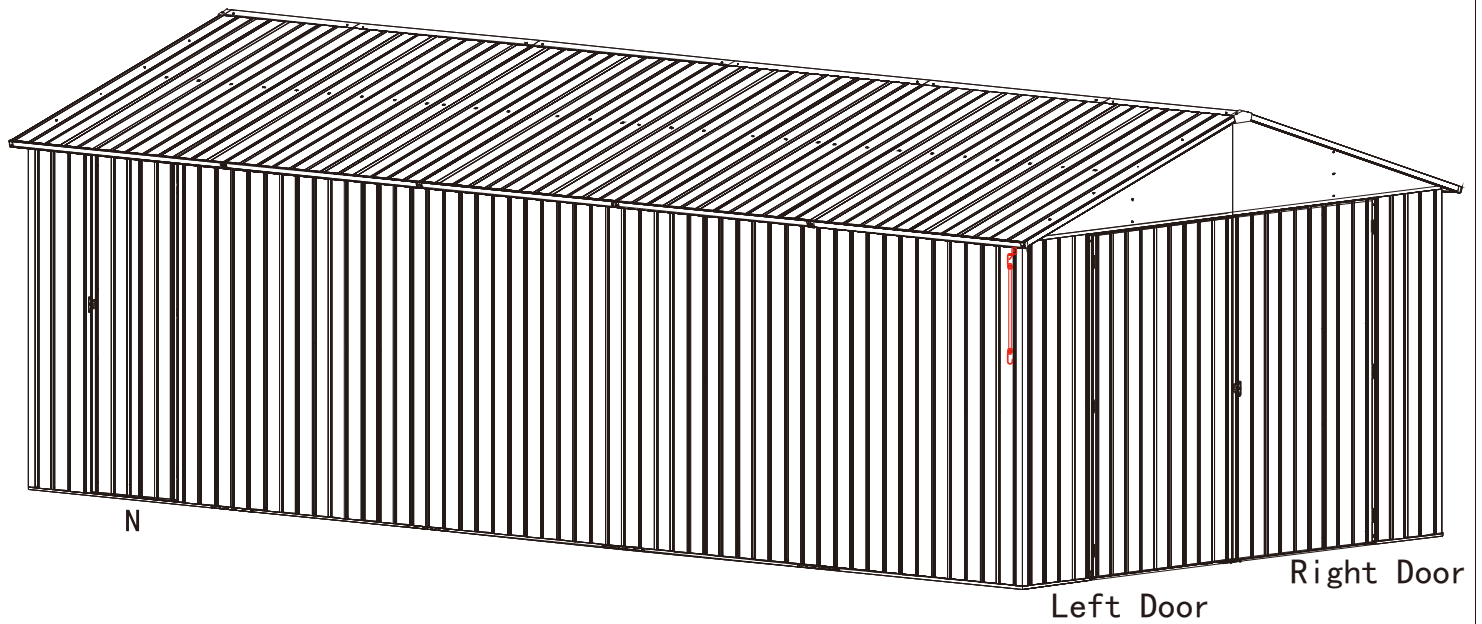
③: Open the door: insert the key, rotate 180 counterclockwise, and rotate the handle counterclockwise to open the door.

Lock the door: close the door, insert the key, rotate the handle clockwise, then rotate the key 180 clockwise and pull the key out.





Use Windbreak rope hook #R to fix the door when opening.





## **Thanks for your purchase.**

At domi outdoor living, we believe in our products.

That's why we provide a 12-month warranty and friendly, easy-to-reach after-sales service. So, if you have any questions about our product or assembly, please feel free to contact us. We are here for you.

**Support:**  

**After-sales contact email:**  
[service@domioutdoorliving.com](mailto:service@domioutdoorliving.com)

Please have your order ID available if you reach out for support.

If you have damaged parts or product, please send us photos for an immediate response.